



**2010
Precedent
Illustrated Parts List**



Gasoline and Electric Vehicles

Manual Number 103700524
Edition Code 0612D0712C

USING THE ILLUSTRATED PARTS LIST

⚠ WARNING

- **This manual is to be used only for identification and ordering of service parts. Be sure to read and use the maintenance and service manual before attempting any vehicle repairs.**

This manual covers all 2010 Club Car Precedent vehicles.

The manual is divided into sections. Note that there are two or three flags on the outside edge of each page. The first flag contains the section number of which that page is a part. The other flag (or flags) contains the letter D, E, or G, signifying that the page pertains to diesel, electric, or gasoline vehicles.

Use the Table of Contents to find the sections and pages that contain the parts and assemblies you seek. The Table of Contents lists section numbers, and under them, the individual page titles and numbers to be found in that section. The index can be used to find specific parts and assemblies. The index is divided into numerical and alphabetical listings with the page numbers in italic text.

There is a two-page spread for each individual page title in the Table of Contents. On the left-hand page is an illustration showing the parts in their relative positions; the parts are each tagged with an item number in a balloon. The right-hand page is the parts list page, and gives the page title at the top, then the item numbers (corresponding to the numbers on the illustration), part descriptions, and quantity of parts used. Some item numbers have more than one part number because several configurations of a component are represented together on one spread.

Note that a part description may be indented. This indentation corresponds to a parts assembly level indicated by the numbers 1, 2, 3, and 4 at the top left corner of the parts description area of the parts list page. A part that is indented to *level 2* is a component of the *level 1* part (assembly) that it is listed under. A *level 3* part is a component of the *level 2* part that it is listed under, and a *level 4* part is a component of the *level 3* part preceding it. In each case, the part quantity given for a level 2, 3, or 4 part is the quantity used per next higher level assembly of which it is a component. A part that is not indented is a *level 1* part. This means that the quantity given is the quantity used per the portion of the vehicle illustrated on that particular spread.

HOW TO ORDER PARTS

Replacement parts and accessories can be obtained from our network of authorized dealers and distributors. You can obtain the name and phone number of your closest authorized Club Car dealer or distributor by visiting our web site at www.clubcar.com and clicking on the "Distributor Search" link or by calling our toll-free Service Parts and Technical Assistance hotline at (800) 872-2246 or (706) 863-3000, extension 3887.



P. O. Box 204658
Augusta, Georgia 30917-4658 USA
Telephone 706-863-3000
Service Parts Fax 706-855-7413
www.clubcar.com

NOTE: *This illustrated parts list represents the most current information at the time of publication. Club Car, LLC. is continually working to further improve its vehicles and other products. These improvements may affect the parts used to service the vehicle. Any modification and/or significant change in specifications will be forwarded to all Club Car and Carryall distributors/dealers and will, when applicable, appear in future editions of this illustrated parts list.*

Club Car, LLC. reserves the right to change specifications and designs at any time without notice and without the obligation of making changes to units previously sold.

Copyright © 2012 Club Car, LLC
Club Car, Precedent, and Surlyn
are registered trademarks of Club Car, LLC
This manual effective August 3, 2009.

2010 Precedent Illustrated Parts List

CONTENTS

SECTION 1 – BODY AND TRIM

Front Bumper	1-3
Front Body	1-5
Underbody Covers (Vehicle Without Canopy)	1-7
Dash	1-9
Floor Mat, Retainers, and Front Underbody	1-11
Kick Plate – Gasoline Vehicle	1-13
Kick Plate – Electric Vehicle	1-15
Seat Bottom with Hip Restraints	1-17
Backrest and Structural Accessory Module (SAM) – Style A SAM Panel	1-19
Backrest and Structural Accessory Module (SAM) – Style B SAM Panel	1-21
Rear Body – Style A Fender Liners	1-23
Rear Body – Style B Fender Liners	1-25
Canopy – Beige	1-27
Canopy – White	1-29
Rear Seat – Precedent Villager 4	1-31
Rear Footrest Assembly – Precedent Villager 4	1-33
Four Passenger Conversion Kit – Beige	1-35
Four Passenger Conversion Kit – White	1-37
Four Passenger Conversion Kit – Gray	1-39

SECTION 2 – WHEELS AND TIRES

Wheels and Tires – i2 and Professional	2-3
Wheels and Tires – i2L and Champion	2-5

SECTION 3 – DECALS

Decals – Gasoline Vehicle	3-3
Decals – Electric Vehicle	3-5
Decals – Electric Vehicle, Continued	3-7
Decal – Precedent Villager 4	3-9

SECTION 4 – BRAKES AND PEDAL GROUP ASSEMBLIES

Rear Brake Assembly, Self-Adjusting	4-3
Brake Cables and Equalizer Bracket	4-5
Pedal Group with Sensor, Generation 2 – Gasoline Vehicle	4-7
Pedal Group, No Sensor, Generation 2 – Gasoline Vehicle	4-9
Pedal Group, No MCOR, Generation 2 – Electric Vehicle	4-11
Pedal Group, With MCOR, Generation 2 – Electric Vehicle	4-13

CONTENTS

SECTION 5 – STEERING, FRONT AND REAR SUSPENSION

Steering Wheel – i2L and Champion	5-3
Steering Wheel – i2 and Professional	5-5
Steering Column	5-7
Steering Gear Assembly	5-9
Front Suspension, Upper	5-11
Front Suspension, Lower	5-13
Rear Suspension – Gasoline Vehicle	5-15
Rear Suspension – Electric Vehicle	5-17
Rear Suspension – Precedent Villager 4	5-19

SECTION 6 – ELECTRICAL SYSTEM – GASOLINE VEHICLE

Electrical Components, Front Body – Gasoline Vehicle	6-3
Accelerator Pedal Assembly w/Sensor for Generation 2 Pedal Group	6-5
Instrument Panel Wire Harness	6-9
Forward/Reverse Shifter Assembly – Gasoline Vehicle	6-11
Wiring (with Generation 2 Pedal Group) – Gasoline Vehicle	6-15
Starter/Generator (S/G) Assembly Model 114-01-4005 - Gasoline Vehicles	6-17
Starter/Generator Mounting – FE350	6-19
Battery – Gasoline Vehicle	6-21

SECTION 7 – FE350 ENGINE (AS26)

FE350 Engine (AS26) – Shrouds and Brackets	7-3
FE350 Engine (AS26)- Ignition Components and Flywheel	7-5
FE350 Engine (AS26)- Oil Circulation	7-7
FE350 Engine (AS26)- Cylinder Head	7-9
FE350 Engine (AS26)- Crankcase, Camshaft, and Oil Sensor	7-11
FE350 Engine (AS26)- Crankcase and Crankshaft	7-13
FE350 Engine (AS26)- Mounting	7-15

SECTION 8 – FUEL, INTAKE, AND GOVERNOR SYSTEMS

Fuel System with Style A Fuel Pump	8-3
Fuel System with Style B Fuel Pump	8-5
Carbon Canister – FE350 (AS26)	8-7
Carburetor Assembly – FE350 (AS26)	8-9
Carburetor Installation – FE350 (AS26)	8-11
Governor and Accelerator Cables	8-13
Choke and Air Box Assembly	8-15

CONTENTS

SECTION 9 – EXHAUST SYSTEM

Exhaust System – FE350	9-3
------------------------------	-----

SECTION 10 – TORQUE CONVERTER

Drive Clutch	10-3
Driven Clutch	10-5

SECTION 11 – UNITIZED TRANSAXLE

Kawasaki Transaxle – Gear Cases and Levers	11-3
Kawasaki Transaxle – F&R Transmission and Gear Reduction	11-5
Kawasaki Transaxle – Differential and Axles	11-7
Graziano Transaxle – Gear Cases and Levers	11-9
Graziano Transaxle – F&R Transmission and Gear Reduction	11-11
Graziano Transaxle -Differential and Axles	11-13

SECTION 12 – ELECTRICAL SYSTEM – ELECTRIC VEHICLE

Electrical Components, Front Body – Electric Vehicle	12-3
Throttle Sensor	12-5
Motor Controller Output Regulator (MCOR)	12-7
Wiring – IQ System with Throttle Sensor	12-11
Wiring – IQ System with MCOR	12-15
Wiring – Excel System with Throttle Sensor	12-19
Wiring – Excel System with MCOR	12-23
Forward/Reverse Switch and Tow/Run Switch	12-25
Batteries, Bucket, and Charger Receptacle – IQ and Excel Systems, 8V	12-27
Batteries, Bucket, and Charger Receptacle – IQ and Excel Systems, Heavy Duty 8V	12-29
Batteries, Bucket, and Charger Receptacle – IQ and Excel Systems, CE, 8V	12-31
Batteries, Bucket, and Charger Receptacle – IQ and Excel Systems, Heavy Duty 8V, CE	12-33
Single Point Watering System, 8V Trojan	12-35
Single Point Watering System, 8V US, Crown & JCI	12-37
Computer, Controller, and Solenoid – IQ System	12-39
Computer, Controller, and Solenoid – Excel System	12-41
CE Ferrite Beads (IQ System)	12-43

SECTION 13 – ELECTRIC MOTOR

Motor (Model EJ8-4001A) – Electric Vehicle	13-3
--	------

CONTENTS

SECTION 14 – TRANSAXLE – ELECTRIC VEHICLES

Transaxle – Electric Vehicles	14-3
-------------------------------------	------

SECTION 15 – BATTERY CHARGERS

PowerDrive 3 Battery Charger (Model 26580-11,-12,-18,-19), Domestic	15-3
PowerDrive 3 Battery Charger (Model 26580-31,-38,-39), Domestic	15-5
PowerDrive Battery Charger (Model 17930), Domestic	15-7
PowerDrive Battery Charger (Model 18780), Export	15-9
PowerDrive Battery Charger (Model 20310), European	15-11
Onboard PowerDrive Battery Charger (Model 17935-40), Domestic	15-13
Onboard PowerDrive Battery Charger (Model 17790-40), International	15-15

SECTION 16 – MAINTENANCE AND SERVICE TOOLS

Maintenance and Service Tools – Golf	16-3
Maintenance and Service Tools – Golf, Continued	16-5
Maintenance and Service Tools – Golf, Continued	16-7

SECTION i – INDEX

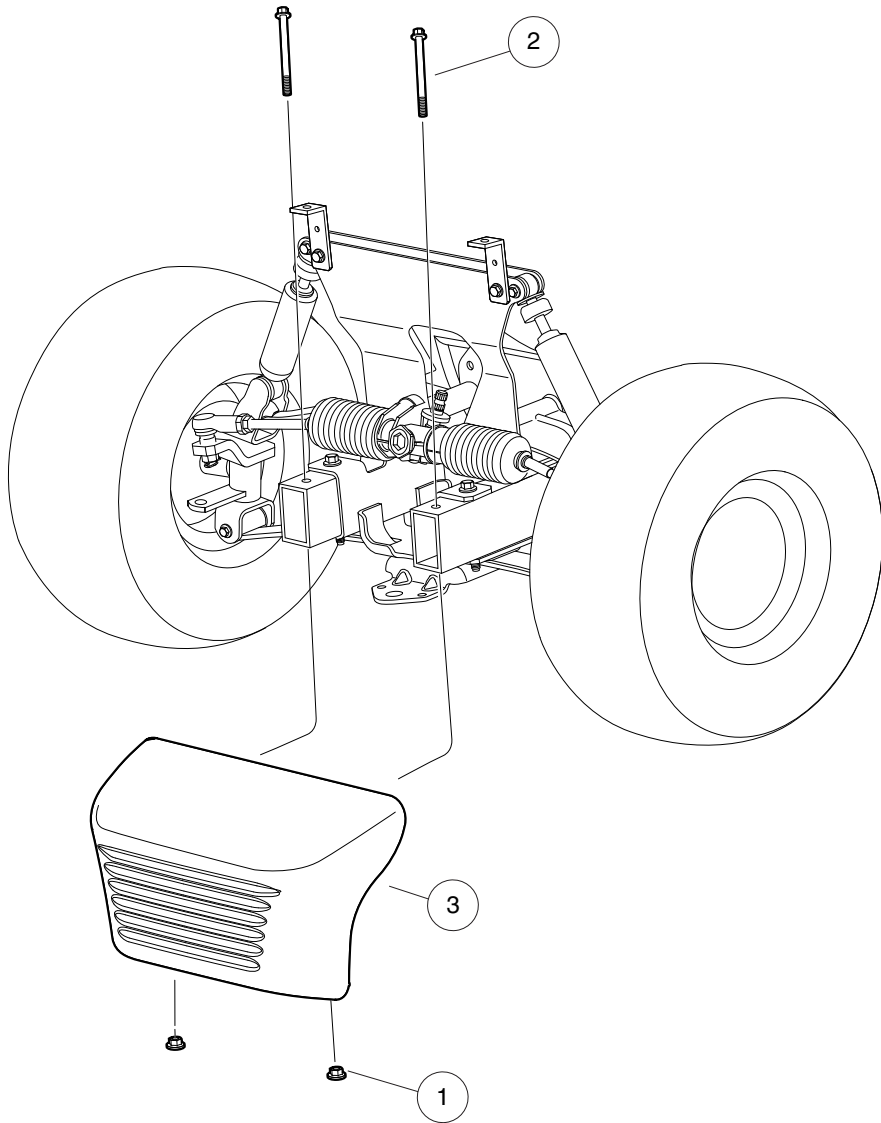
BODY AND TRIM

1

G

E

1
G
E



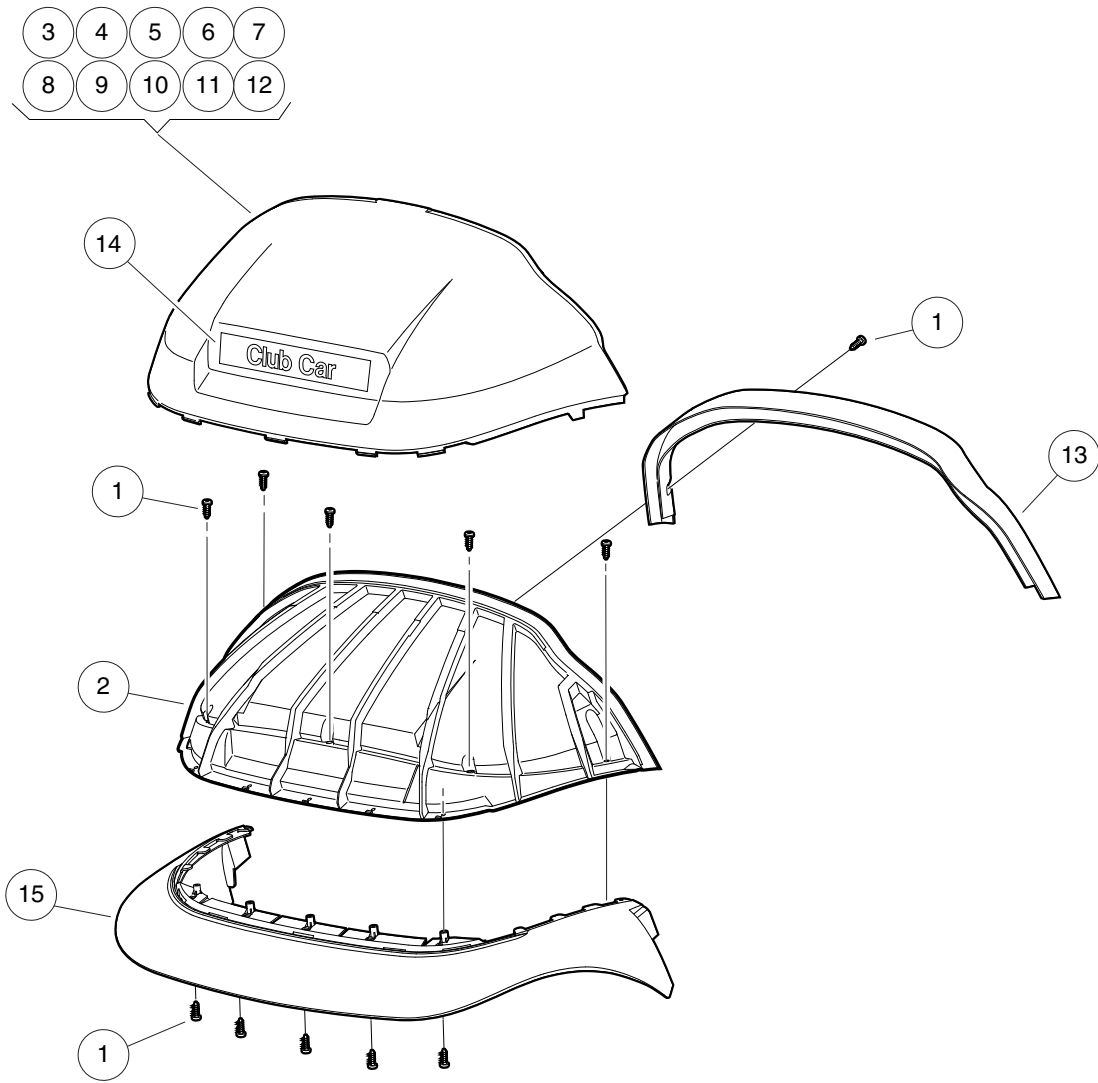
000437-002

FRONT BUMPER

ITEM	PART NO.	DESCRIPTION	QTY
1	102298401	1 2 3 4 Nut,m8,all Metal Lock	2
2	102534201	Bolt - Fl Hd, M8 X 95	2
3	103330601	Asm, Bumper, Front, Precedent	1

1
G
E

1
G
E

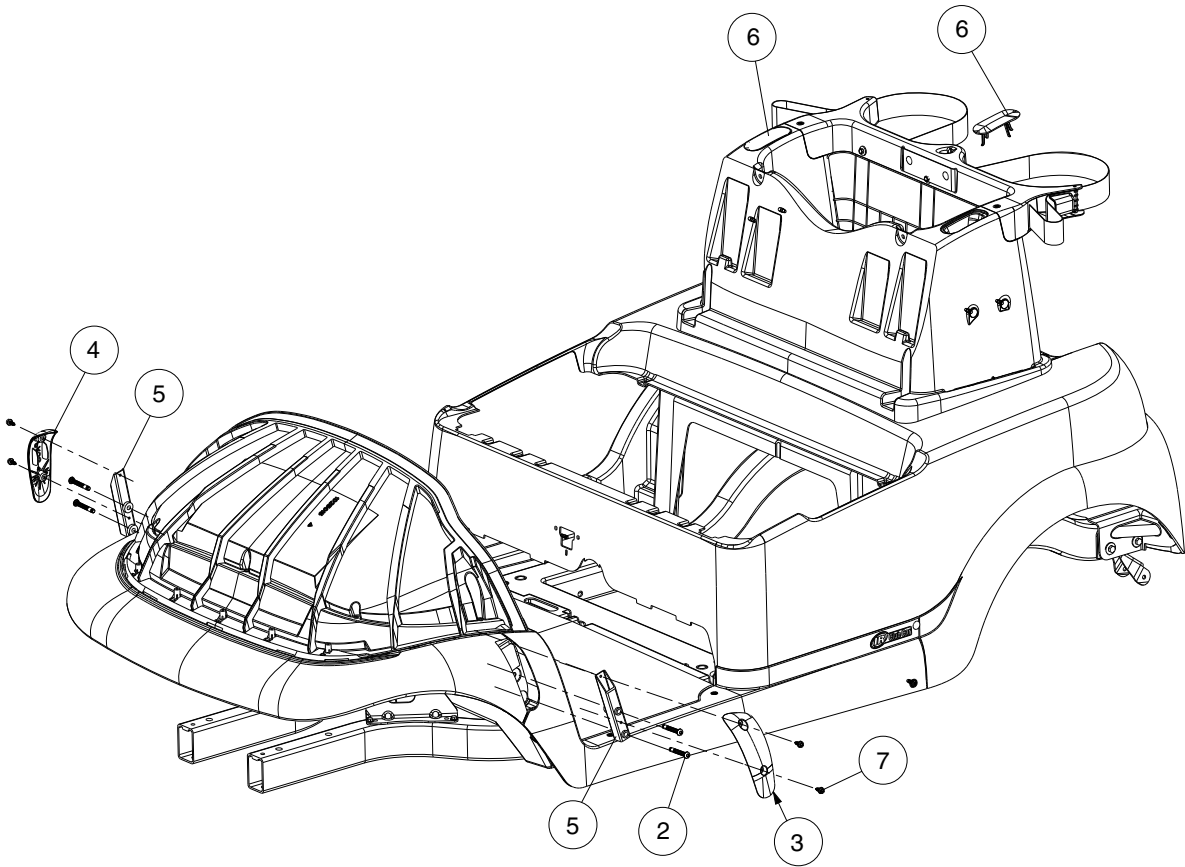


000434-002

FRONT BODY

ITEM	PART NO.	DESCRIPTION	QTY
		1 2 3 4	
1	102296020	Screw, Torx Pan Hd Pt, M6 X 20	14
2	102501501	Brow	1
3	102502401	Panel, Beauty Front, White	1
4	102502402	Panel, Beauty Front, Beige	1
5	102502404	Panel, Beauty Front, Gray	1
6	102502405	Panel, Beauty Front, Red	1
7	102502406	Panel, Beauty Front, Burgundy	1
8	102502407	Panel, Beauty Front, Green	1
9	102502408	Panel, Beauty Front, Blue	1
10	102502409	Panel, Beauty Front, Black	1
11	102502411	Panel, Beauty, Front, Cayenne	1
12	102502413	Panel-beauty Front, Atlantic	1
13	102502501	Brow Cap	1
14	102502601	Nameplate-cs	1
15	102534404	Fascia, Blk	1

1
G
E

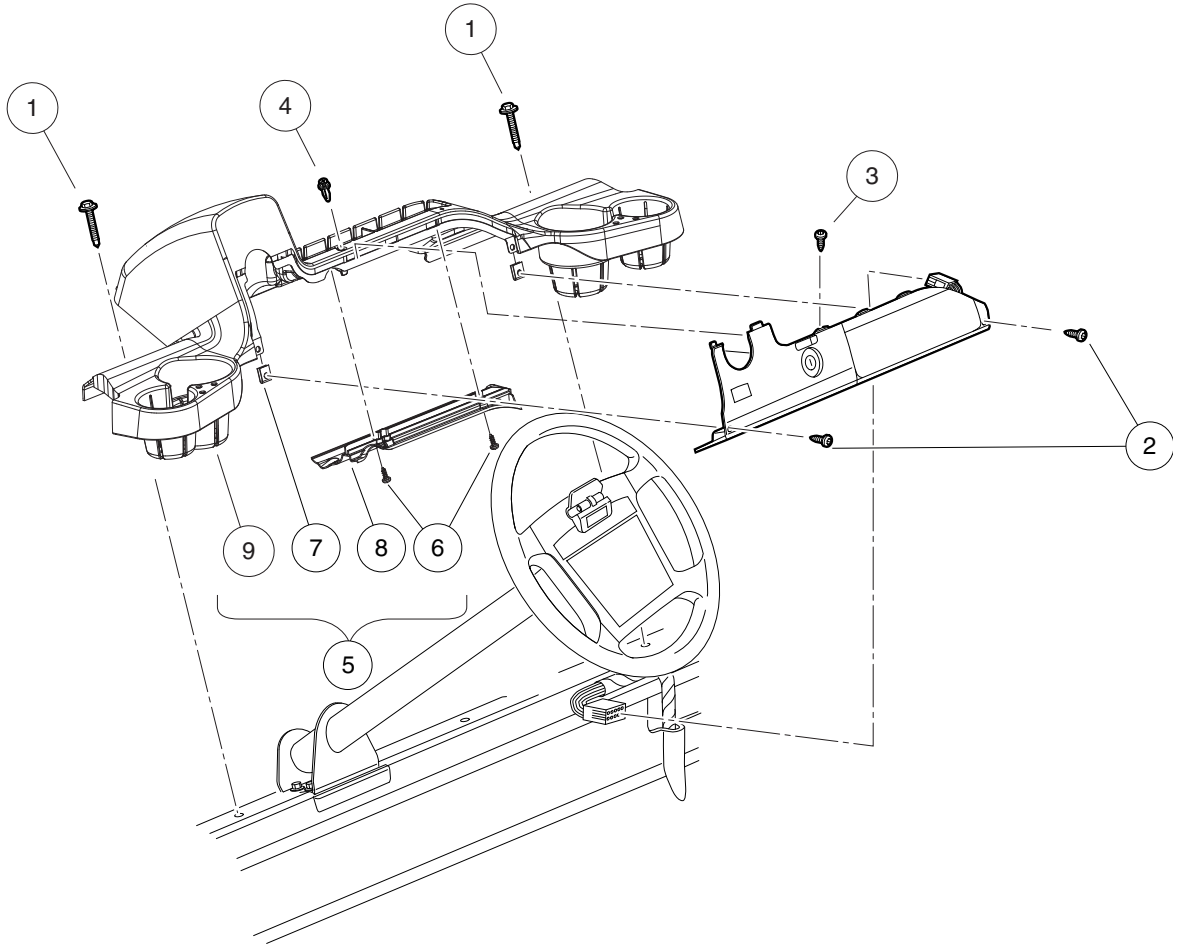


000730-002

UNDERBODY COVERS (VEHICLE WITHOUT CANOPY)

ITEM	PART NO.	DESCRIPTION	QTY
		1 2 3 4	
1	102543902	Kit, Underbody Cover, Black (includes items 2 through 7)	1
2	102299065	M8-1.25 X 65 Tx Bttn Hd Bolt	4
3	102400202	Cover, Lh Non-canopy, Blk	1
4	102400302	Cover, Rh Non-canopy, Blk	1
5	N/A	Support, Strut Cover	2
6	N/A	SAM Cap	2
7	102544201	Screw, M6 Hex	4

1
G
E



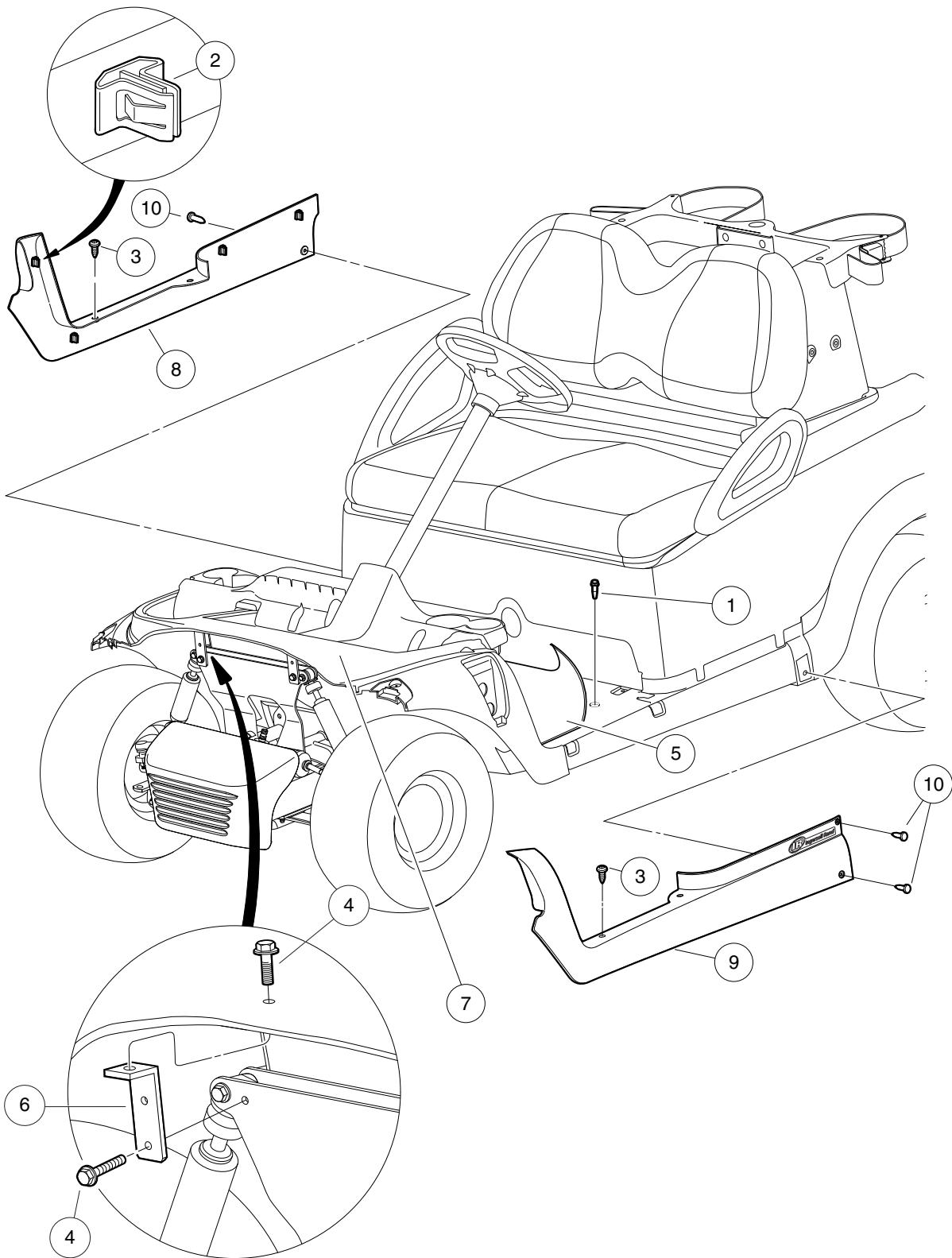
000438-003

DASH

ITEM	PART NO.	DESCRIPTION	QTY
		1 2 3 4	
1	102292356	Screw-1/4-20x56 Hwh Self Drill	2
2	102296819	Screw-m6 X 19-pnhd Ab	2
3	102557201	Screw, #6-20 Type Abx1.00 Pan	1
4	102915601	Plastic Rivet - Tuflock	1
5	103402701	Dash Assembly, Prec (includes items 6 through 9)	1
6	N/A	Screw-torx Pan Hd Pt,m6 X 16	2
7	102297001	U-nut, 1/4" Type Ab	2
8	N/A	Drain Channel - Dash	1
9	N/A	Dash, Prec	1

1
G
E

1
G
E

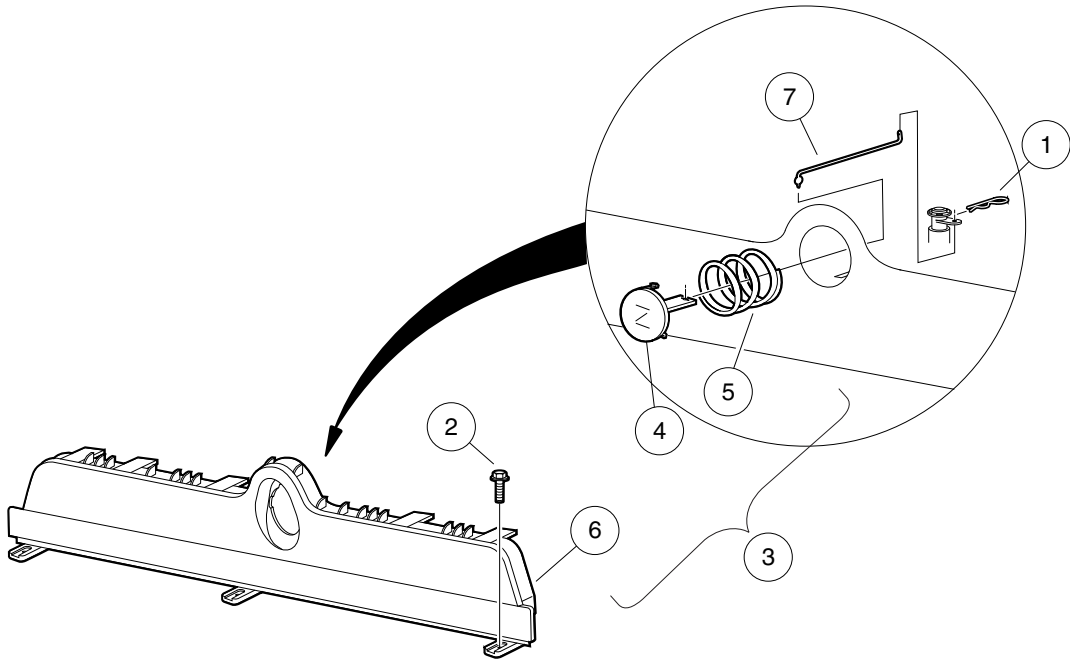


000497-005

FLOOR MAT, RETAINERS, AND FRONT UNDERBODY

ITEM	PART NO.	DESCRIPTION	QTY
		1 2 3 4	
1	102292356	Screw-1/4-20x56 Hwh Self Drill	3
2	102292701	Clip-body-trim	8
3	102298020	Screw, K80x20, Torx Pn Hd Pt	4
4	102298716	M8-1.25x16 Taptite	4
5	102504802	Floormat, Precedent	1
6	102521901	Bracket-clamshell	2
7	****	Asm-front Underbody, Black	1
8	103678001	Floormat Retainer Asm, Rh, Blk	1
9	103678101	Floormat Retainer Asm, Lh, Blk	1
10	103683001	Barrel Fastner, Blk, Firm	4
		**** Special order item available upon request.	

1
G
E

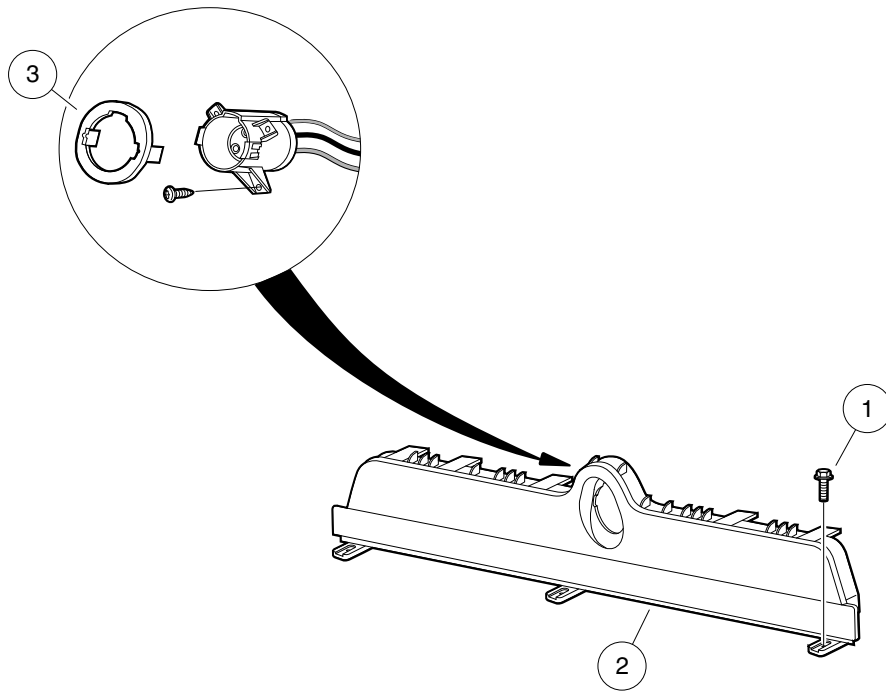


000501-002

KICK PLATE – GASOLINE VEHICLE

ITEM	PART NO.	DESCRIPTION	QTY
		1 2 3 4	
1	1014413	Pin, Hair Spring Cotter	1
2	102298030	Screw, K80x30, Torx Pn Hd Pt	3
3	102511702	Asm-gas Kick Plate, Blk (includes items 4 through 6)	1
4	101811401	Lever, Choke	1
5	101856201	Compression Spring	1
6	N/A	Plate - Gas Kick, Blk	1
7	102514401	Rod, Choke Button	1

1
G
E



000500-002

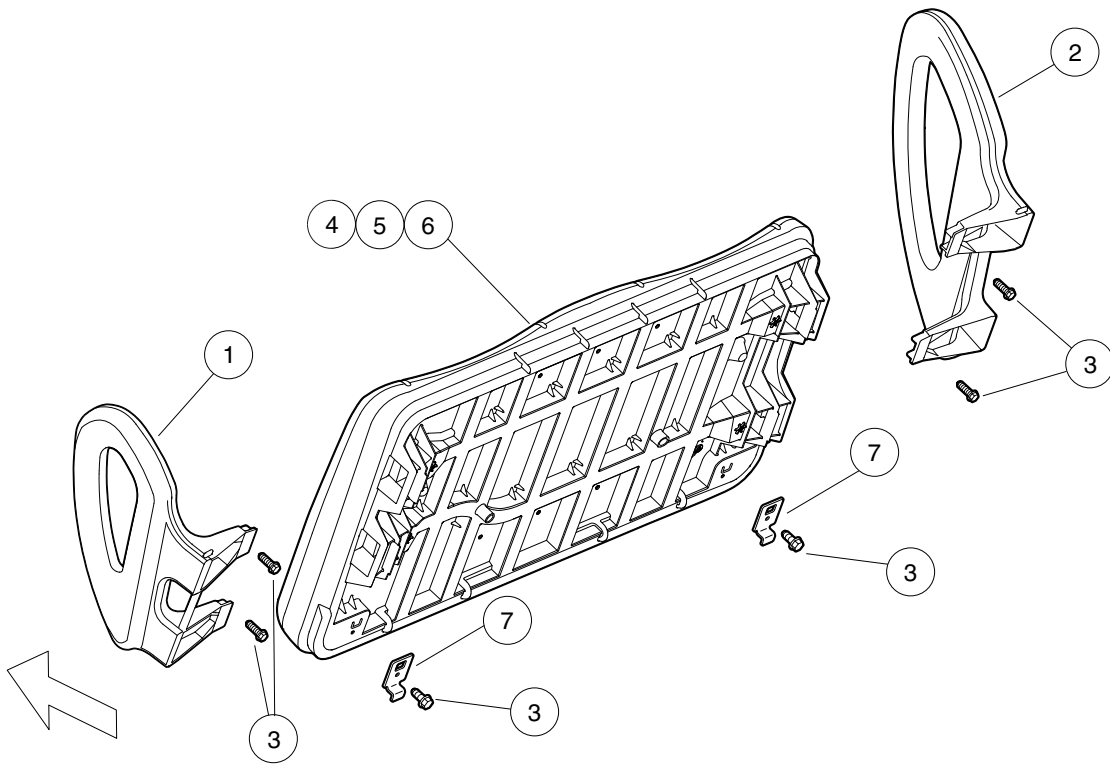
KICK PLATE – ELECTRIC VEHICLE

ITEM	PART NO.	DESCRIPTION	QTY
		1 2 3 4	
1	102298030	Screw, K80x30, Torx Pn Hd Pt	3
2	102508202	Plate - Electric Kick Blk	1
3	102516901	Socket Trim	1

1

G

E



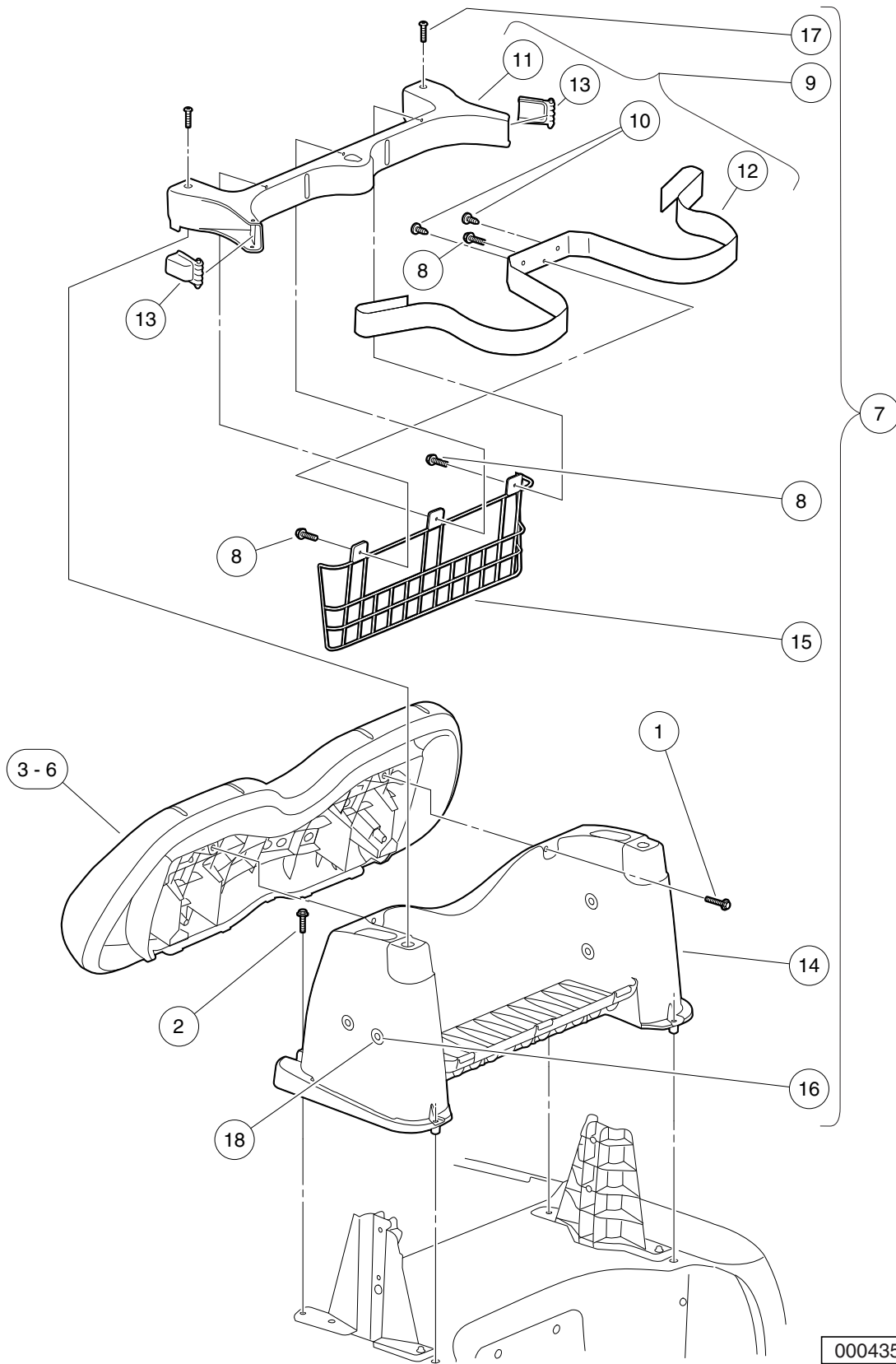
000440-003

SEAT BOTTOM WITH HIP RESTRAINTS

ITEM	PART NO.	DESCRIPTION	QTY
		1 2 3 4	
1	102562701	Hip Restraint, Prec, Lh	1
2	102562801	Hip Restraint, Prec, Rh	1
3	102562901	Screw, Seat Bottom Prec	6
4	103423001	Seat Bottom Asy, Prec-beige	1
5	103423002	Seat Bottom Asy, Prec-white	1
6	103423004	Seat Bottom Asy, Prec-gray	1
7	103447901	Bracket, Hinge, Male, Prec	2

1
G
E

1
G
E



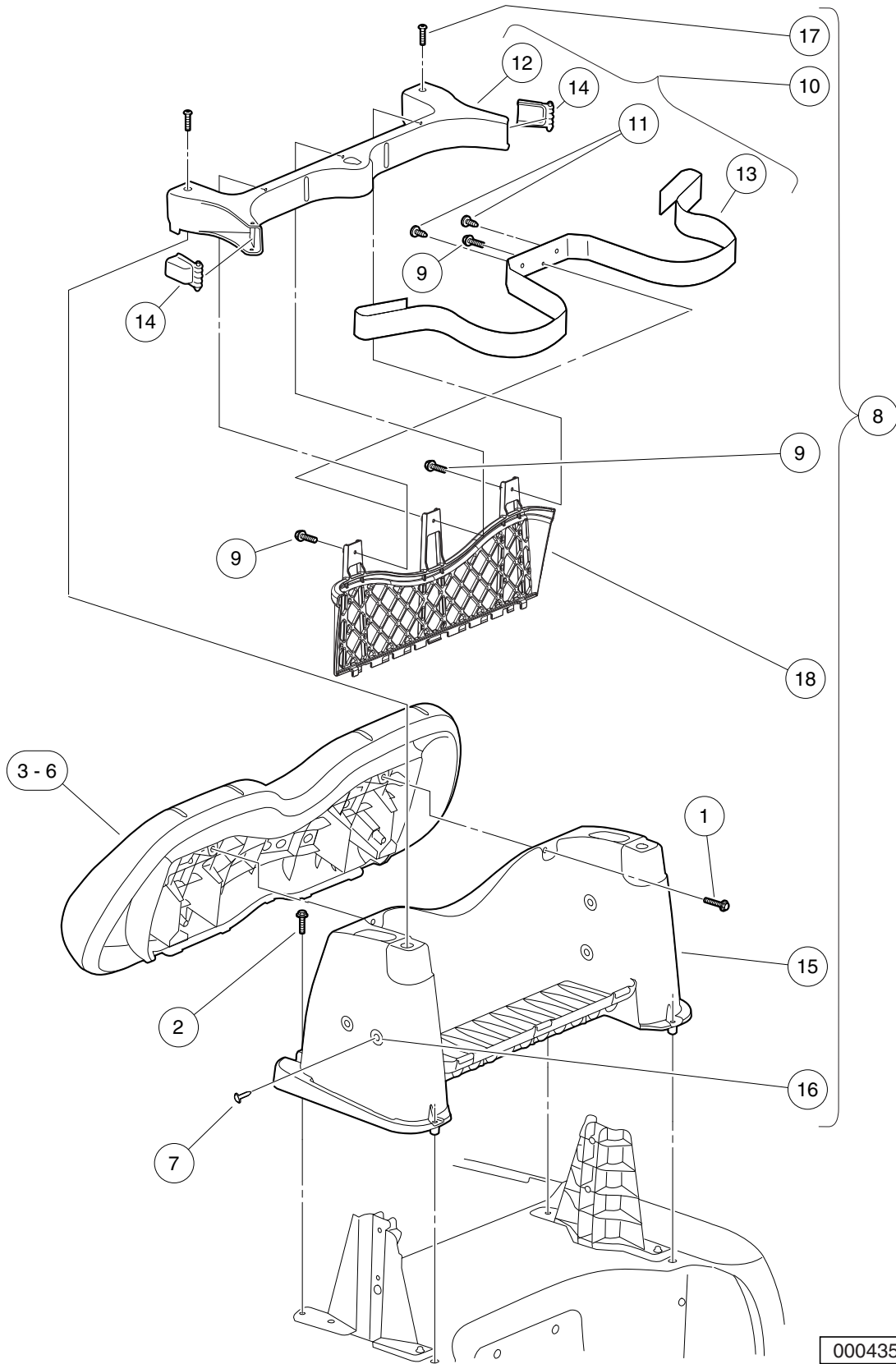
000435-003

BACKREST AND STRUCTURAL ACCESSORY MODULE (SAM) – STYLE A SAM PANEL

ITEM	PART NO.	DESCRIPTION	QTY
		1 2 3 4	
1	102296530	Screw - M6 X 1.0 X 30 Sems	2
2	102298240	Bolt, Flange Head, M8-1.25 X 40	4
3	102503221	Service Backrest Asm, Beige	1
4	102503222	Service Backrest Asm, White	1
5	102503224	Service Backrest Asm, Gray	1
6	102503225	Service Backrest Asm-black	1
7	102503901	Asm-sam (includes items 8 through 17)	1
8	102297125	Screw M6-1.0x25.4 Thd Fm Sems	3
9	102504001	Asm-bag Hoop (includes items 10 through 13)	1
10	1010434	Barrel - Plastic	2
11	102504201	Hoop-bag	1
12	102504301	Strap, Bag	1
13	102517001	Buckle-bag Strap	2
14	N/A	Structural Accessory Module	1
15	102504501	Panel, SAM	1
16	102551701	Insert M6x1.0	4
17	103327601	Screw, 5/16, Torx, Bosscrew	2
18	102568701	Barrel - Plastic 6mm	8

1
G
E

1
G
E



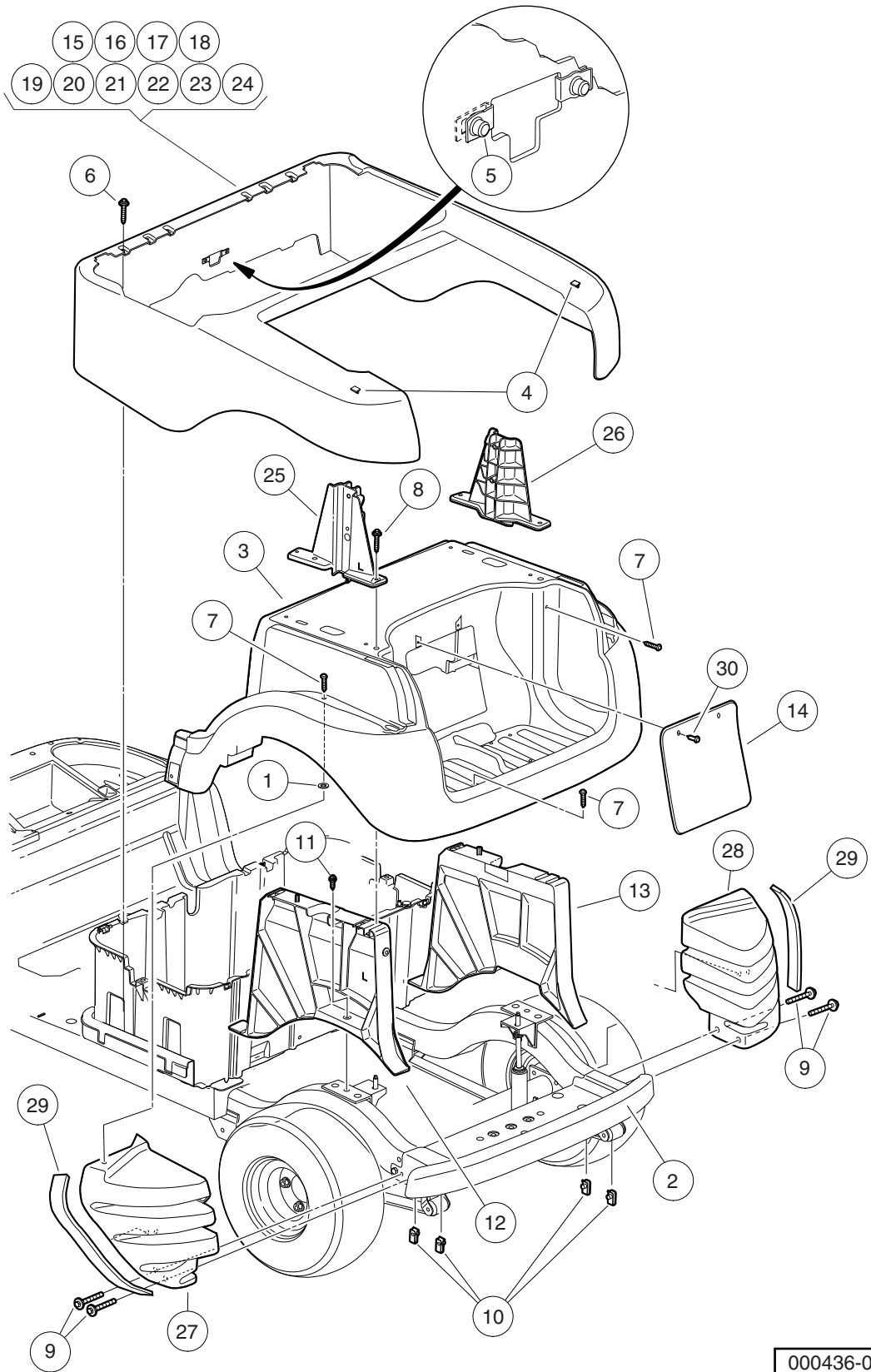
000435-006

BACKREST AND STRUCTURAL ACCESSORY MODULE (SAM) – STYLE B SAM PANEL

ITEM	PART NO.	DESCRIPTION	QTY
		1 2 3 4	
1	102296530	Screw - M6 X 1.0 X 30 Sems	2
2	102298240	Bolt, Flange Head, M8-1.25 X 40	4
3	102503221	Service Backrest Asm, Beige	1
4	102503222	Service Backrest Asm, White	1
5	102503224	Service Backrest Asm, Gray	1
6	102503225	Service Backrest Asm-black	1
7	102568701	Barrel - Plastic 6mm	2
8	103720201	Asm, Sam (includes items 9 through 18)	1
9	102297230	Screw,m6,torx,interlock,thread	3
10	102504001	Asm-bag Hoop (includes items 11 through 14)	1
11	1010434	Barrel - Plastic	2
12	102504201	Hoop-bag	1
13	102504301	Strap, Bag	1
14	102517001	Buckle-bag Strap	2
15	N/A	Structural Accessory Module	1
16	102551701	Insert M6x1.0	4
17	103327601	Screw, 5/16, Torx, Bosscrew	2
18	103699401	Panel, Sam, Prec	1

1
G
E

1
G
E



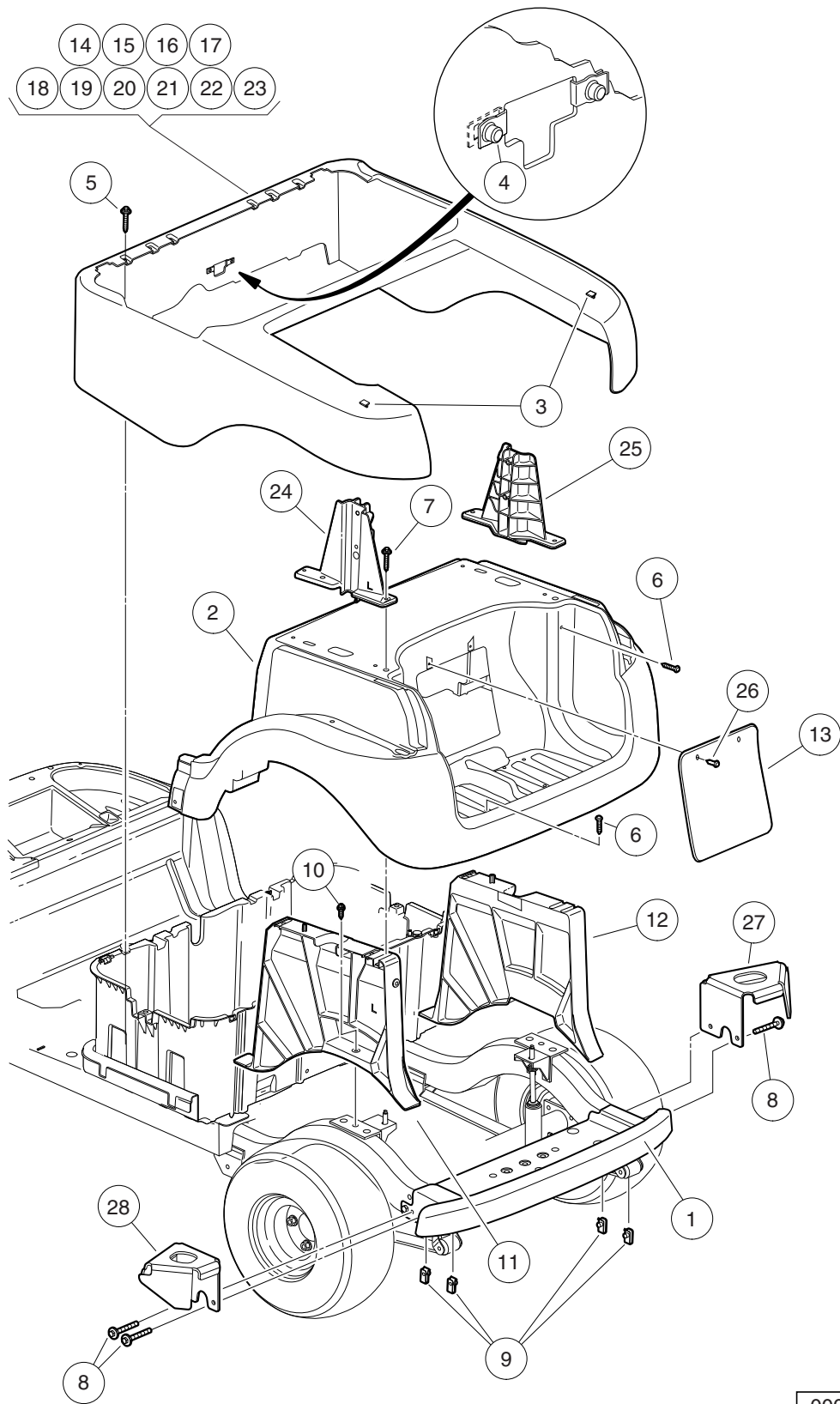
000436-006

REAR BODY – STYLE A FENDER LINERS

ITEM	PART NO.	DESCRIPTION	QTY
		1 2 3 4	
1	1012571	Washer, 5/16 Extra Thick Flat	2
2	102279001	Rear Bumper Beam	1
3	102279104	Underbody - Rear, Blk	1
4	102292701	Clip-body-trim	2
5	102296601	U-nut, M6-1.0 Prev Torque	2
6	102297230	Screw,m6,torx,interlock,thread	4
7	102298030	Screw, K80x30, Torx Pn Hd Pt	4
8	102298240	Bolt, Flange Head, M8-1.25 X 40	2
9	102298580	M8-1.25 X 80 Sems	4
10	102298601	J-clip - M8 X 1.25	4
11	102298716	M8-1.25x16 Taptite	2
12	102500501	Asm, Rear U/b Support, Lh	1
13	102500601	Asm, Rear U/b Support, Rh	1
14	102501402	Panel, Access, Black	1
15	102502301	Panel, Beauty, Rear, White	1
16	102502302	Panel, Beauty, Rear, Beige	1
17	102502304	Panel, Beauty, Rear, Gray	1
18	102502305	Panel, Beauty, Rear, Red	1
19	102502306	Panel, Beauty, Rear, Burgundy	1
20	102502307	Panel, Beauty, Rear, Green	1
21	102502308	Panel, Beauty, Rear, Blue	1
22	102502309	Panel, Beauty, Rear, Black	1
23	102502311	Panel-beauty Rear, Cayenne	1
24	102502313	Panel-beauty Rear, Atlantic	1
25	102502901	Bracket, Canopy Support Left-Hand	1
26	102503001	Bracket, Canopy Support Right-Hand	1
27	102545601	Liner, Rear Underbody Lh	1
28	102545602	Liner, Rear Underbody Right-Hand	1
29	102562101	Tape, Foam Black 12" *	2
30	102967901	Rivet, Removable, Tuflok 1/4"	2
		 * Note: Sold by the foot, 12 inches required per side	

1
G
E

1
G
E



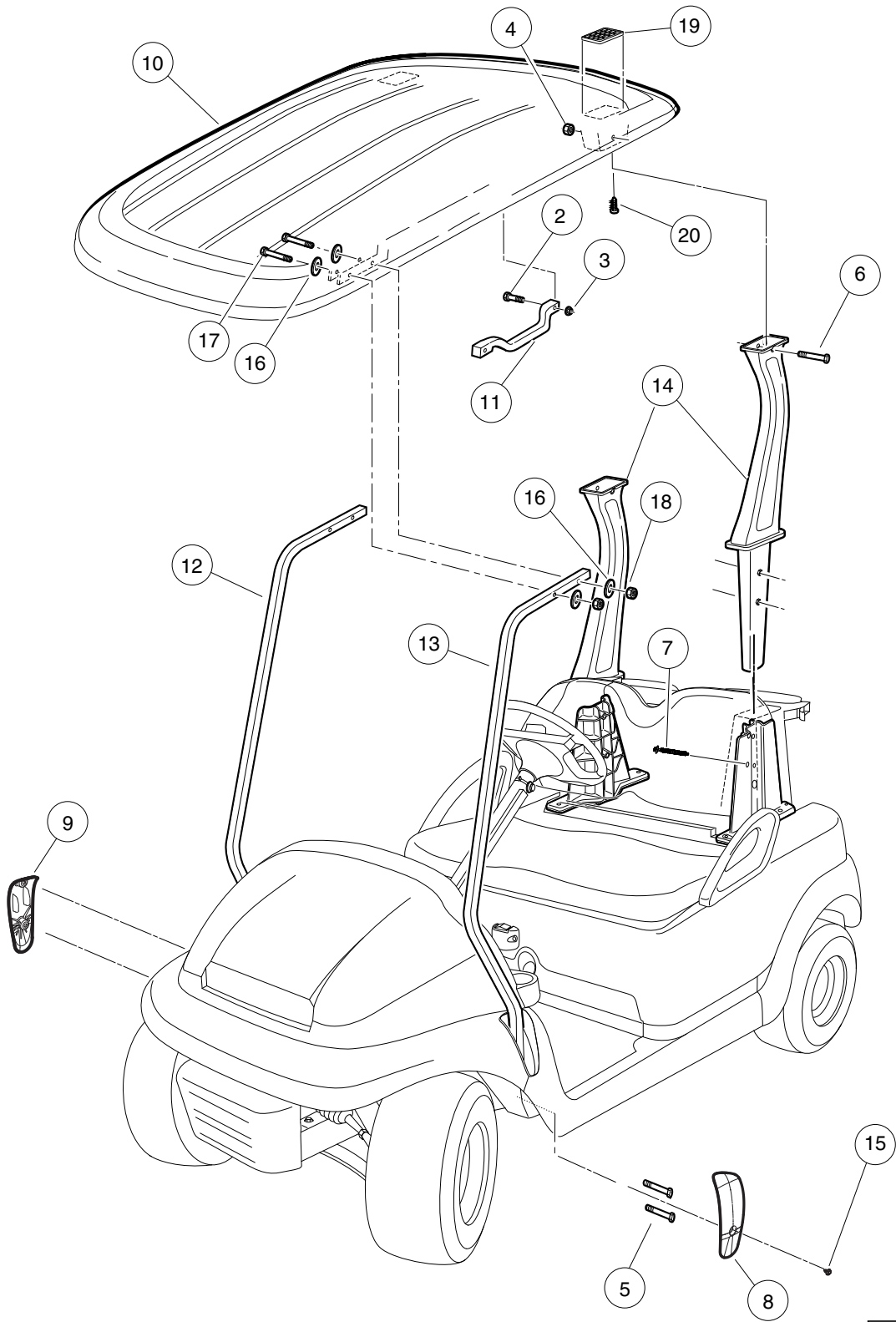
000436-005

REAR BODY – STYLE B FENDER LINERS

ITEM	PART NO.	DESCRIPTION	QTY
		1 2 3 4	
1	102279001	Rear Bumper Beam	1
2	102279104	Underbody - Rear, Blk	1
3	102292701	Clip-body-trim	2
4	102296601	U-nut, M6-1.0 Prev Torque	2
5	102297230	Screw,m6,torx,interlock,thread	4
6	102298030	Screw, K80x30, Torx Pn Hd Pt	4
7	102298240	Bolt, Flange Head, M8-1.25 X 40	2
8	102298580	M8-1.25 X 80 Sems	4
9	102298601	J-clip - M8 X 1.25	4
10	102298716	M8-1.25x16 Taptite	2
11	102500501	Asm, Rear U/b Support, Lh	1
12	102500601	Asm, Rear U/b Support, Rh	1
13	102501402	Panel, Access, Black	1
14	102502301	Panel, Beauty, Rear, White	1
15	102502302	Panel, Beauty, Rear, Beige	1
16	102502304	Panel, Beauty, Rear, Gray	1
17	102502305	Panel, Beauty, Rear, Red	1
18	102502306	Panel, Beauty, Rear, Burgundy	1
19	102502307	Panel, Beauty, Rear, Green	1
20	102502308	Panel, Beauty, Rear, Blue	1
21	102502309	Panel, Beauty, Rear, Black	1
22	102502311	Panel-beauty Rear, Cayenne	1
23	102502313	Panel-beauty Rear, Atlantic	1
24	102502901	Bracket, Canopy Support Left-Hand	1
25	102503001	Bracket, Canopy Support Right-Hand	1
26	102967901	Rivet, Removable, Tuflok 1/4"	2
27	103677401	Bracket, Bumper, Pas	1
28	103677402	Bracket, Bumper, Drv	1
		Note: Style B fender liners (brackets) incorporated at serial number 1002-071464 and are backward compatible.	

1
G
E

1
G
E



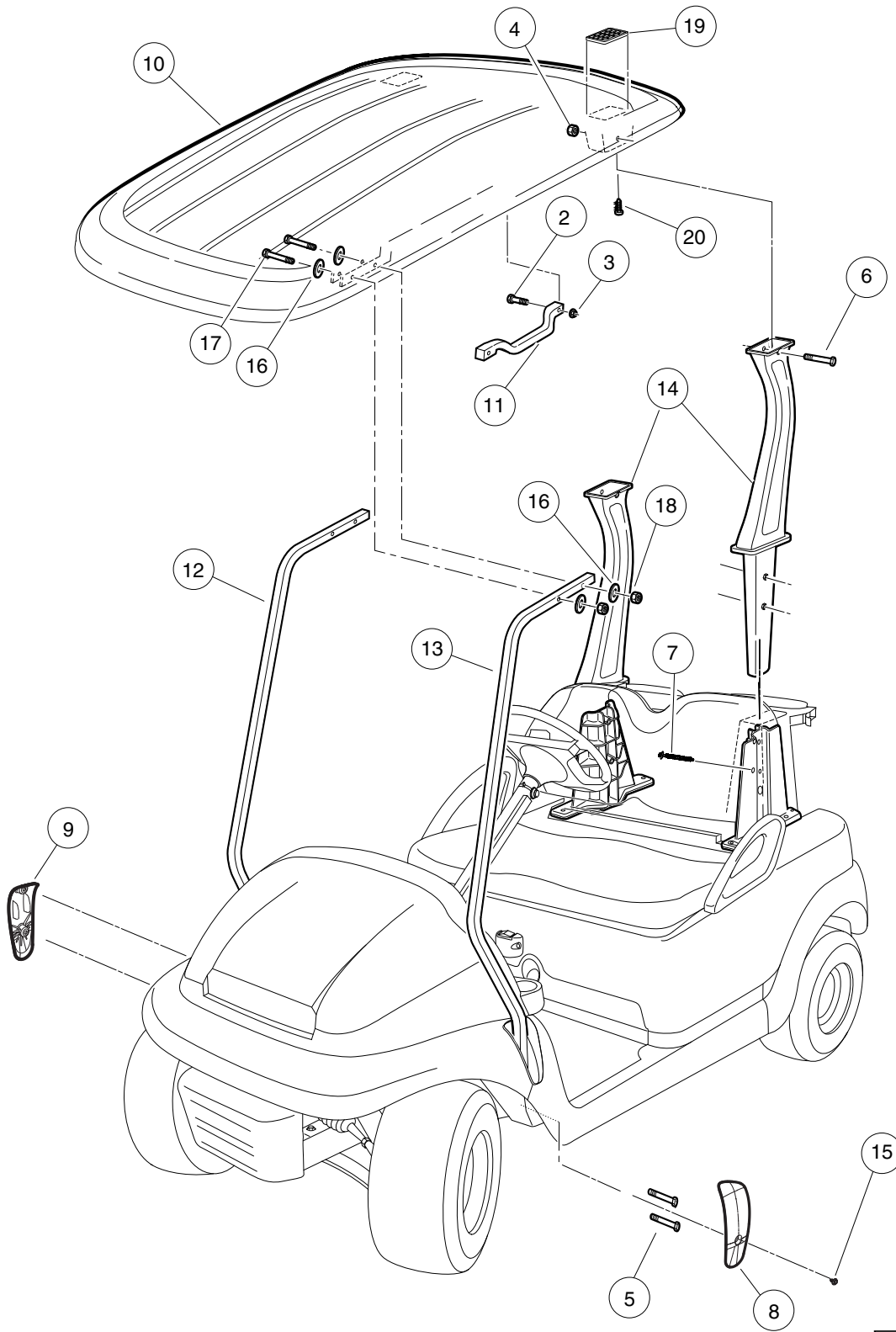
000439-004

CANOPY – BEIGE

ITEM	PART NO.	DESCRIPTION	QTY
		1 2 3 4	
1	102520702	Kit-canopy, Prec-beige (includes items 2 through 20)	1
2	102296140	Bolt, Flanged Head, M6x1.0x40	4
3	102296401	Nut-m6x1.0 Flng All Mtl Lock	4
4	102298401	Nut,m8,all Metal Lock	2
5	102299065	M8-1.25 X 65 Tx Bttm Hd Bolt	4
6	102299360	Screw, M8-1.25 X 60, Sems, Tx	2
7	102299601	Screw, Pt, K80x70 Hex Flg Hd	2
8	102400002	Cover, Lh Canopy Support, Blk	1
9	102400102	Cover, Rh Canopy Support, Blk	1
10	102508902	Canopy-beige	1
11	102511602	Handle, Canopy (Beige)	2
12	102512401	Support, Canopy Front, Right-Hand	1
13	102513301	Support, Canopy Front Left-Hand	1
14	102513501	Asm-rear Canopy Support	2
15	102544201	Screw, M6 Hex	2
16	103196001	Washer, Conical Spring, Canopy	8
17	103199301	Bolt - M6 X 1 X 45 Hh Grey	4
18	103200301	Nut, M6 x 1.00	4
19	103205101	Cover, Drain, Canopy, Precedent	2
20	103210101	Screw, #8 X.75, Torx, Tapping	2

1
G
E

1
G
E



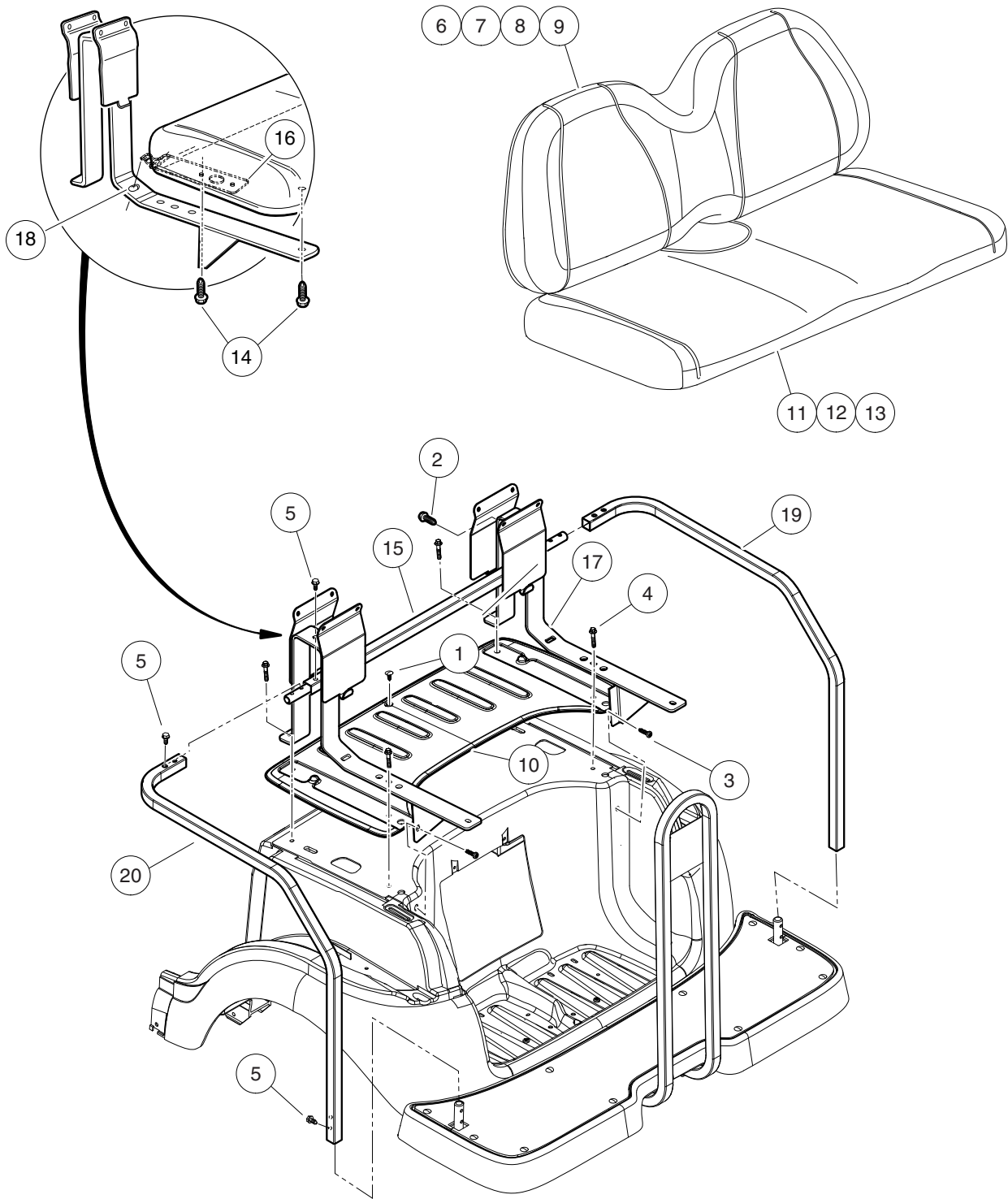
000439-004

CANOPY – WHITE

ITEM	PART NO.	DESCRIPTION	QTY
		1 2 3 4	
1	102520701	Kit-canopy, Prec-white (includes items 2 through 20)	1
2	102296140	Bolt, Flanged Head, M6x1.0x40	4
3	102296401	Nut-m6x1.0 Flng All Mtl Lock	4
4	102298401	Nut,m8,all Metal Lock	2
5	102299065	M8-1.25 X 65 Tx Bttm Hd Bolt	4
6	102299360	Screw, M8-1.25 X 60, Sems, Tx	2
7	102299601	Screw, Pt, K80x70 Hex Flg Hd	2
8	102400002	Cover, Lh Canopy Support, Blk	1
9	102400102	Cover, Rh Canopy Support, Blk	1
10	102508901	Canopy-white	1
11	102511601	Handle, Canopy (White)	2
12	102512401	Support, Canopy Front, Right-Hand	1
13	102513301	Support, Canopy Front Left-Hand	1
14	102513501	Asm-rear Canopy Support	1
15	102544201	Screw, M6 Hex	2
16	103196001	Washer, Conical Spring, Canopy	8
17	103199301	Bolt - M6 X 1 X 45 Hh Grey	4
18	103200301	Nut, M6 x 1.00	4
19	103205101	Cover, Drain, Canopy, Precedent	2
20	103210101	Screw, #8 X.75, Torx, Tapping	2

1
G
E

1
G
E



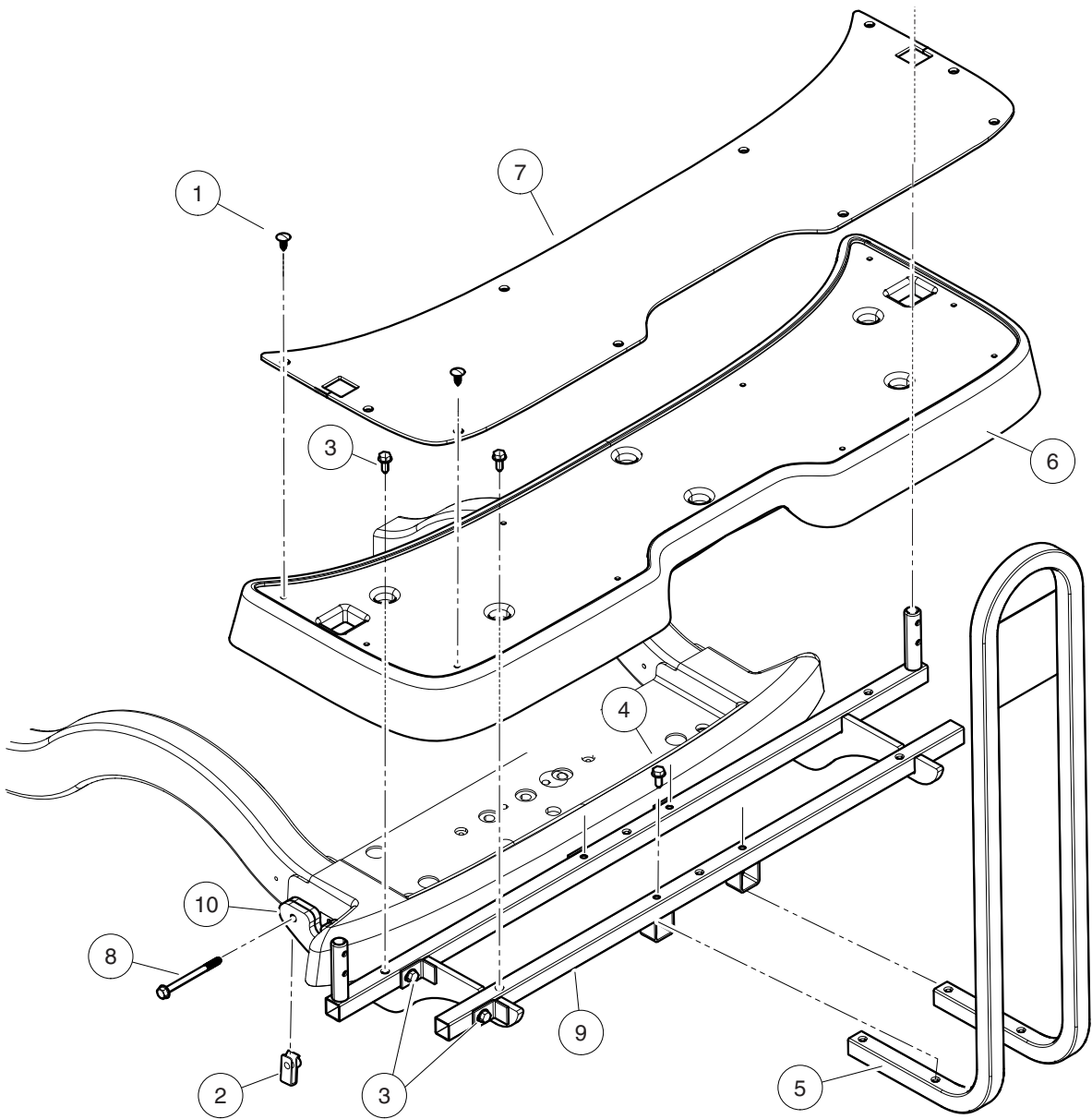
000494-002

REAR SEAT – PRECEDENT VILLAGER 4

ITEM	PART NO.	DESCRIPTION	QTY
		1 2 3 4	
1	1010434	Barrel - Plastic	10
2	102296530	Screw - M6 X 1.0 X 30 Sems	4
3	102298030	Screw, K80x30, Torx Pn Hd Pt	2
4	102298240	Bolt, Flange Head, M8-1.25 X 40	1
5	102298720	M8-1.25x20 Taptite	10
6	102503221	Service Backrest Asm, Beige	1
7	102503222	Service Backrest Asm, White	1
8	102503224	Service Backrest Asm, Gray	1
9	102503225	Service Backrest Asm-black	1
10	102531501	Cover, 4-pass Ns1 Underbody	1
11	102531701	4-Passenger Rear Seat Bottom, Beige	1
12	102531702	4-Passenger Rear Seat Bottom, White	1
13	102531704	4-Passenger Rear Seat Bottom, Gray	1
14	102541425	Bolt-m6x1.0x25 Hex Flhd, Blk-l	4
15	102572201	Connector Tube-hand Rail Asm	1
16	102573101	Bracket, 4-pass Lower Seat	2
17	102574801	Support-rh 4 Passenger Seat	1
18	102574901	Support-lh 4 Passenger Seat	1
19	102575101	Restraint- Rh 4-passenger Hip	1
20	102575201	Restraint- Lh 4-passenger Hip	1
		Note: See also four-passenger kit information.	

1
G
E

1
G
E



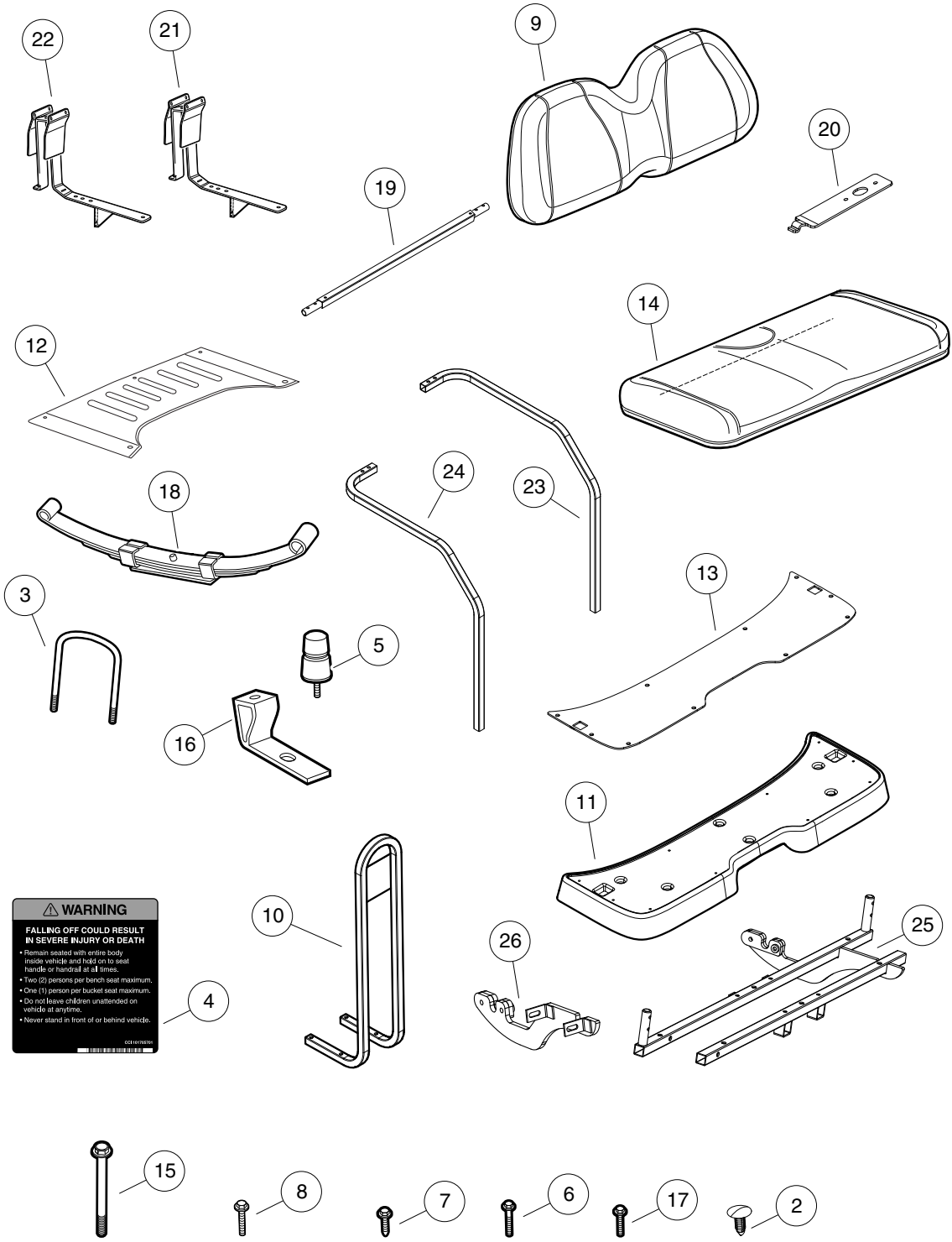
000493-003

REAR FOOTREST ASSEMBLY – PRECEDENT VILLAGER 4

ITEM	PART NO.	DESCRIPTION	QTY
		1 2 3 4	
1	1010434	Barrel - Plastic	10
2	102298601	J-clip - M8 X 1.25	4
3	102298720	M8-1.25x20 Taptite	8
4	102298745	M8-1.25x45 Taptite	4
5	102531001	Handrail Weldment, Rear Seat	1
6	102531402	Footdeck, 4-Passenger, Black	1
7	102531601	Floor mat, 4-Passenger, Rear	1
8	102534201	Bolt - Fl Hd, M8 X 95	4
9	102584701	Weld, 4-pass Footdeck-a	1
10	102584801	Weld, 4-pass Footdeck-b	1

1
G
E

1
G
E



WARNING
FALLING OFF COULD RESULT IN SEVERE INJURY OR DEATH
 • Remain seated with entire body inside vehicle and hold on to seat handle or handrail at all times.
 • Two (2) persons per bench seat maximum.
 • One (1) person per bucket seat maximum.
 • Do not leave children unattended on vehicle at anytime.
 • Never stand in front of or behind vehicle.

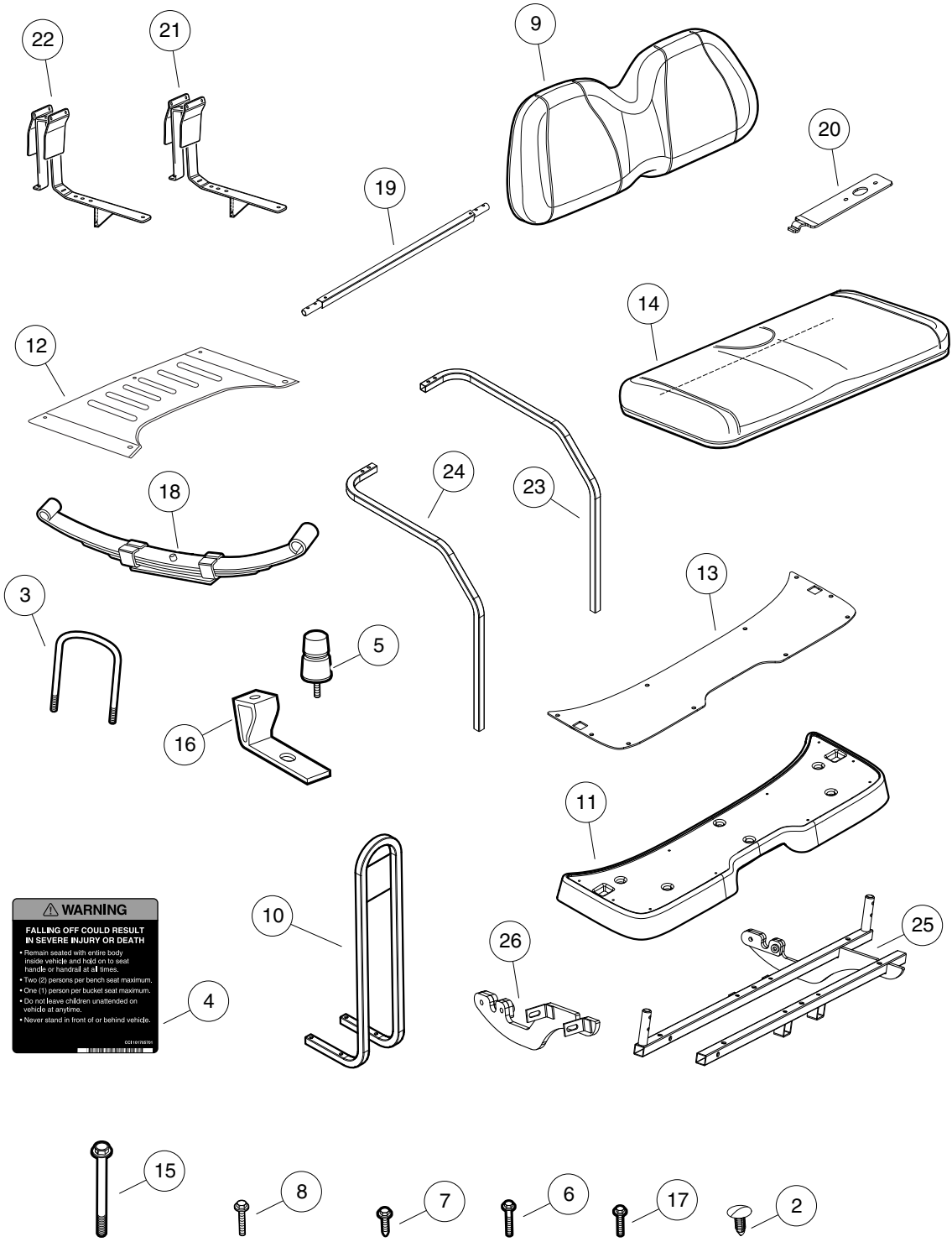
000505-003

FOUR PASSENGER CONVERSION KIT – BEIGE

ITEM	PART NO.	DESCRIPTION	QTY
		1 2 3 4	
1	102570901	Kit-4-pass, Prec, Std, Beige (includes items 2 through 26)	1
2	1010434	Barrel - Plastic	11
3	1014902	U-Bolt	2
4	101705701	Decal, Warning	1
5	1017235	Bumper, Jounce	2
6	102296530	Screw - M6 X 1.0 X 30 Sems	4
7	102298720	M8-1.25x20 Taptite	18
8	102298745	M8-1.25x45 Taptite	4
9	102503221	Service Backrest Asm, Beige	1
10	102531001	Handrail Weldment, Rear Seat	1
11	102531402	Footdeck, 4-Passenger, Black	1
12	102531501	Cover, 4-pass Ns1 Underbody	1
13	102531601	Floormat, 4-Passenger, Rear	1
14	102531701	4-Passenger Rear Seat Bottom, Beige	1
15	102534201	Bolt - Fl Hd, M8 X 95	4
16	102534801	Jounce Bumper Bracket	2
17	102541425	Bolt-m6x1.0x25 Hex Flhd, Blk-l	6
18	102544901	Spring, Leaf, Rear	2
19	102572201	Connector Tube-hand Rail Asm	1
20	102573101	Bracket, 4-pass Lower Seat	2
21	102574801	Support-rh 4 Passenger Seat	1
22	102574901	Support-lh 4 Passenger Seat	1
23	102575101	Restraint- Rh 4-passenger Hip	1
24	102575201	Restraint- Lh 4-passenger Hip	1
25	102584701	Weld, 4-pass Footdeck-a	1
26	102584801	Weld, 4-pass Footdeck-b	1

1
G
E

1
G
E



⚠ WARNING
FALLING OFF COULD RESULT IN SEVERE INJURY OR DEATH
 • Remain seated with entire body inside vehicle and hold on to seat handle or handrail at all times.
 • Two (2) persons per bench seat maximum.
 • One (1) person per bucket seat maximum.
 • Do not leave children unattended on vehicle at anytime.
 • Never stand in front of or behind vehicle.

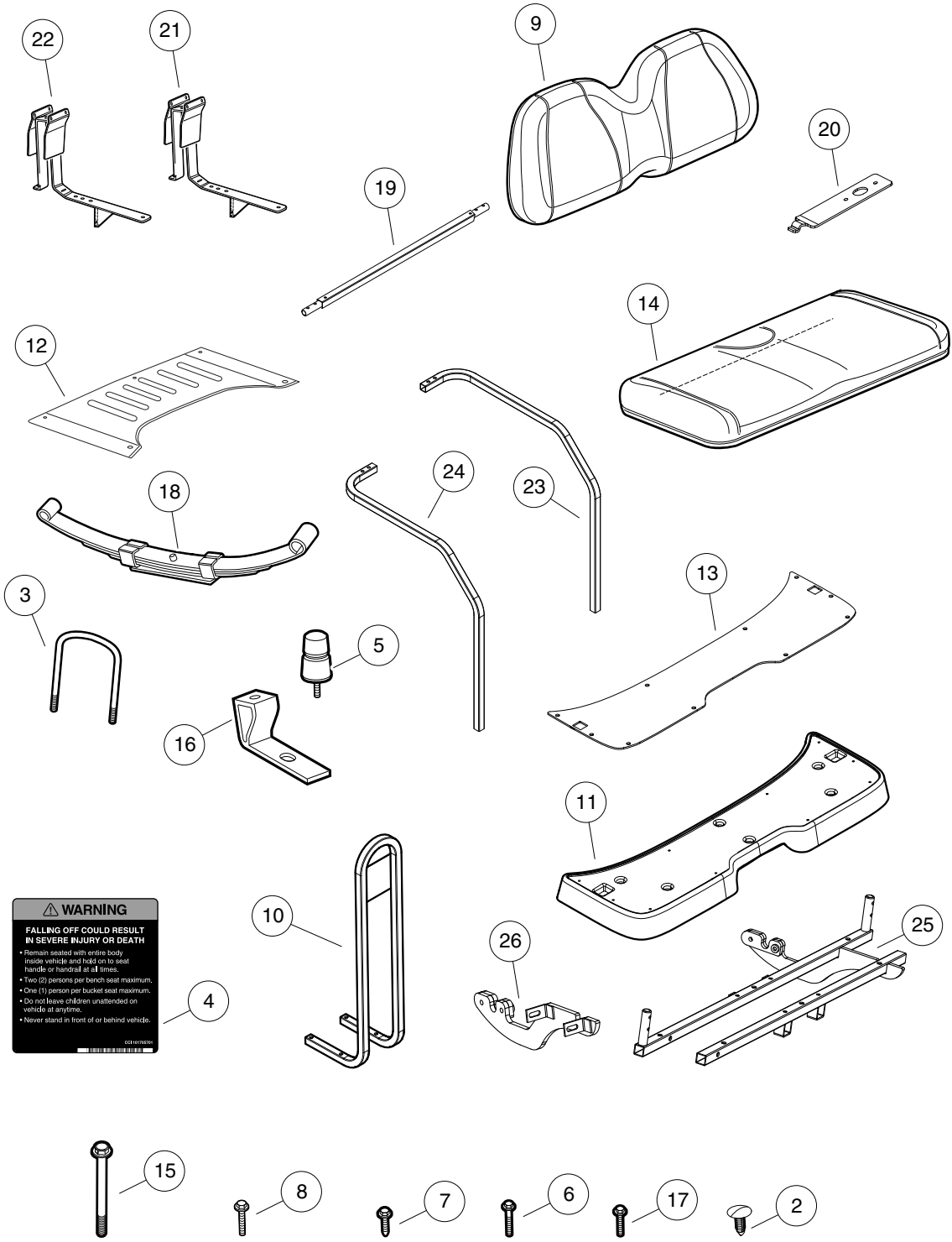
000505-003

FOUR PASSENGER CONVERSION KIT – WHITE

ITEM	PART NO.	DESCRIPTION	QTY
		1 2 3 4	
1	102570902	Kit-4-pass, Prec, Std, White (includes items 2 through 26)	1
2	1010434	Barrel - Plastic	11
3	1014902	U-Bolt	2
4	101705701	Decal, Warning	1
5	1017235	Bumper, Jounce	2
6	102296530	Screw - M6 X 1.0 X 30 Sems	4
7	102298720	M8-1.25x20 Taptite	18
8	102298745	M8-1.25x45 Taptite	4
9	102503222	Service Backrest Asm, White	1
10	102531001	Handrail Weldment, Rear Seat	1
11	102531402	Footdeck, 4-Passenger, Black	1
12	102531501	Cover, 4-pass Ns1 Underbody	1
13	102531601	Floormat, 4-Passenger, Rear	1
14	102531702	4-Passenger Rear Seat Bottom, White	1
15	102534201	Bolt - Fl Hd, M8 X 95	4
16	102534801	Jounce Bumper Bracket	2
17	102541425	Bolt-m6x1.0x25 Hex Flhd, Blk-l	6
18	102544901	Spring, Leaf, Rear	2
19	102572201	Connector Tube-hand Rail Asm	1
20	102573101	Bracket, 4-pass Lower Seat	2
21	102574801	Support-rh 4 Passenger Seat	1
22	102574901	Support-lh 4 Passenger Seat	1
23	102575101	Restraint- Rh 4-passenger Hip	1
24	102575201	Restraint- Lh 4-passenger Hip	1
25	102584701	Weld, 4-pass Footdeck-a	1
26	102584801	Weld, 4-pass Footdeck-b	1

1
G
E

1
G
E



000505-003

FOUR PASSENGER CONVERSION KIT – GRAY

ITEM	PART NO.	DESCRIPTION	QTY
		1 2 3 4	
1	102570904	Kit, 4 Passenger, Precedent, Std, Gray (includes items 2 through 26)	1
2	1010434	Barrel - Plastic	11
3	1014902	U-Bolt	2
4	101705701	Decal, Warning	1
5	1017235	Bumper, Jounce	2
6	102296530	Screw - M6 X 1.0 X 30 Sems	4
7	102298720	M8-1.25x20 Taptite	18
8	102298745	M8-1.25x45 Taptite	4
9	102503224	Service Backrest Asm, Gray	1
10	102531001	Handrail Weldment, Rear Seat	1
11	102531402	Footdeck, 4-Passenger, Black	1
12	102531501	Cover, 4-pass Ns1 Underbody	1
13	102531601	Floor mat, 4-Passenger, Rear	1
14	102531704	4-Passenger Rear Seat Bottom, Gray	1
15	102534201	Bolt - Fl Hd, M8 X 95	4
16	102534801	Jounce Bumper Bracket	2
17	102541425	Bolt-m6x1.0x25 Hex Flhd, Blk-l	6
18	102544901	Spring, Leaf, Rear	2
19	102572201	Connector Tube-hand Rail Asm	1
20	102573101	Bracket, 4-pass Lower Seat	2
21	102574801	Support-rh 4 Passenger Seat	1
22	102574901	Support-lh 4 Passenger Seat	1
23	102575101	Restraint- Rh 4-passenger Hip	1
24	102575201	Restraint- Lh 4-passenger Hip	1
25	102584701	Weld, 4-pass Footdeck-a	1
26	102584801	Weld, 4-pass Footdeck-b	1

1
G
E

1

G

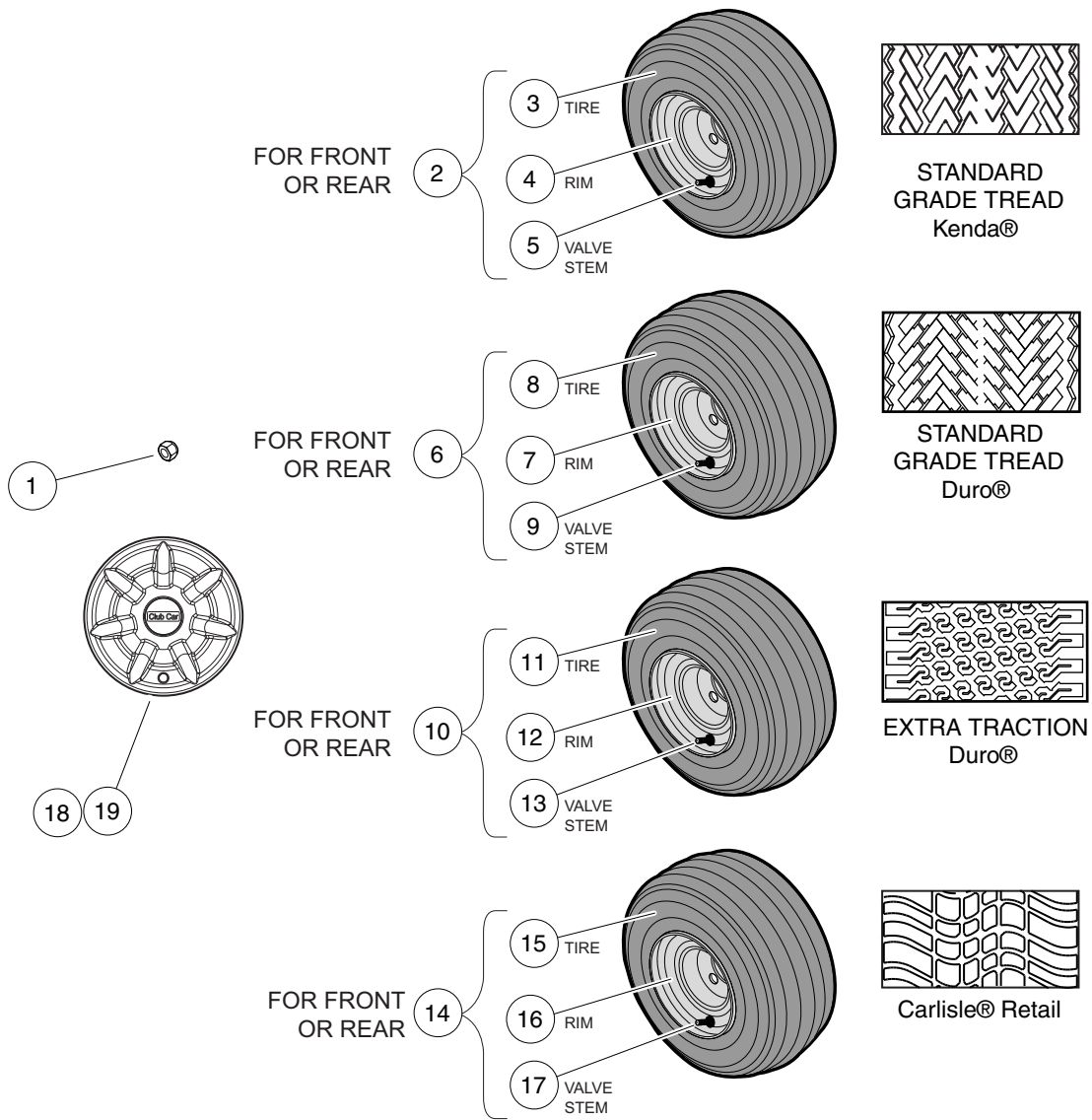
E

WHEELS AND TIRES

2

G

E

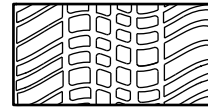
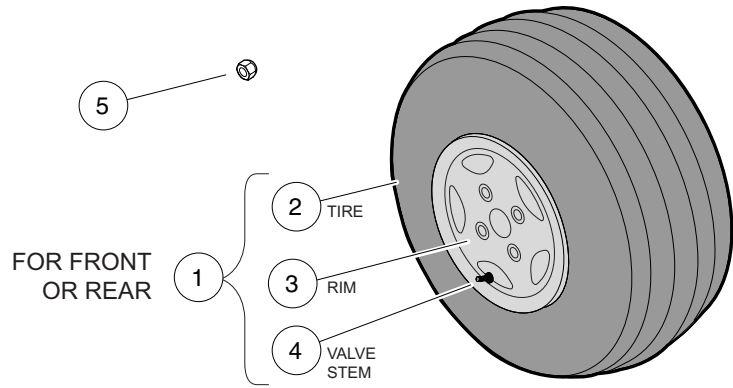


000474-004

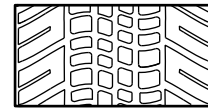
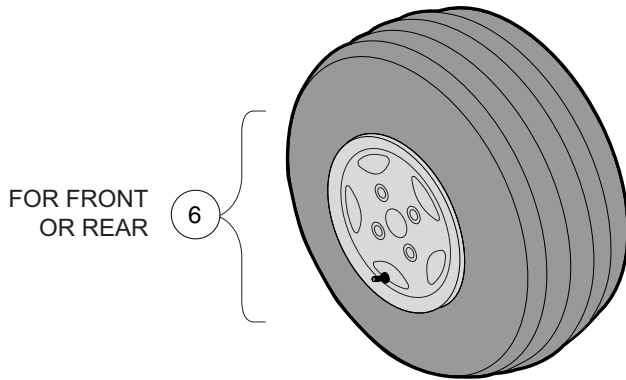
WHEELS AND TIRES – 12 AND PROFESSIONAL

ITEM	PART NO.	DESCRIPTION	QTY
		1 2 3 4	
1	1010984	.500-20 Unf Lug Nut	16
2	102522601	Asm-Kenda Std Gray (includes items 3 through 5)	4
3	103458601	Tire, Kenda Hole-n-1, Xt	1
4	103459101	Wheel Rim Asm, 8"x7", Gray	1
5	7310	Valve Stem	1
6	102522604	Asm-duro Std Gray (includes items 7 through 9)	4
7	102557801	Wheel Rim Asm, 8"X7.000" (Duro rim)	1
8	102569304	Duro 18 X 8.5 X 8, 4-Ply	1
9	7310	Valve Stem	1
10	102522605	Asm-duro Extra Tract Gray (includes items 11 through 13)	4
11	101769302	Tire, Unmounted Xtrac 18 x 8.50-8	1
12	102557801	Wheel Rim Asm, 8"X7.000" (Duro rim)	1
13	7310	Valve Stem	1
14	102522609	Asm-carlisle Retail (includes items 15 through 17)	4
15	102569309	Tire-carlisle 18.5x8.5r8 4-ply	1
16	103459101	Wheel Rim Asm, 8"x7", Gray	1
17	7310	Valve Stem	1
18	102559901	Hub Cap Kit, Prec (includes item 19)	1
19	103694501	Hub Cap, 7 Prong	4

2
G
E



PRO TOUR
Kenda



K399
Kenda

000475-005

WHEELS AND TIRES – I2L AND CHAMPION

ITEM	PART NO.	DESCRIPTION	QTY
		1 2 3 4	
1	102540601	Tire and Wheel, Aluminum (includes items 2 through 4)	4
2	102556701	Tire, Pro Tour, 205-50 X 10	1
3	102556801	Wheel, ChampionsAluminum'	1
4	7310	Valve Stem	1
5	102540701	Lug Nut, 1/2" Closed End	16
6	AM1263401	K399 205/50-r10 W/champion Rim	4

2
G
E

2

G

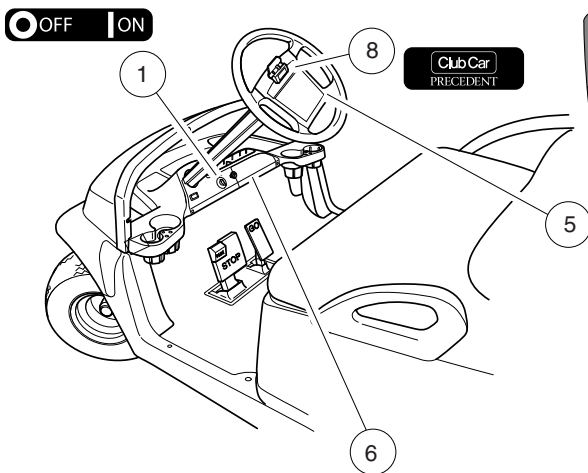
E

DECALS

3

G

E



OPERATING INSTRUCTIONS

- Read owner's manual and safety warnings located on dash panel prior to driving.
- Study and understand controls.

TO OPERATE

- Turn wheels to desired direction and ensure path is clear.
- Turn key to ON position.
- While stopped, place shift lever in desired position:
F – Forward N – Neutral R – Reverse (Buzzer will sound)
- Park brake will release and vehicle will start moving when accelerator pedal is pressed.
- Slowly press accelerator pedal to increase speed.
- To stop, release accelerator pedal and press brake pedal.

BEFORE LEAVING

- Press park brake pedal until it locks and holds vehicle.
- Place Forward/Reverse switch in NEUTRAL position.
- Turn key OFF and remove key when not in use.

CCI 102519201

WARNING

ROLLOVER OR FALLING OFF MAY CAUSE SERIOUS INJURY OR DEATH.

- Before using vehicle, read operating instructions.
- Do not start vehicle until all occupants are seated.
- Keep entire body inside vehicle while moving.
- Drive slowly in turns and straight up and down slopes.
- Use brakes to reduce speed when coasting downhill.
- Never operate under the influence of alcohol or drugs.
- For use by authorized persons in designated areas only.
- Remain seated while moving.
- Operate from driver side only.
- Never operate on public roads.
- Hold on to seat handle while moving.
- Two (2) persons per seat maximum.
- Never stand in front of or behind vehicle.
- Do not leave children unattended on vehicle.

CCI 102519301

WARNING

BATTERY EXPLOSION / FIRE CAN CAUSE SEVERE INJURY

- Do not contact positive (+) battery post or cable to frame.
- Disconnect negative (-) cable first.
- Negative (-) frame ground.

CCI 102517901

WARNING

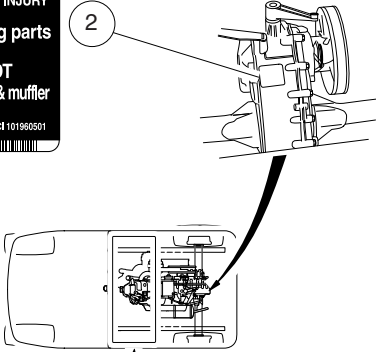
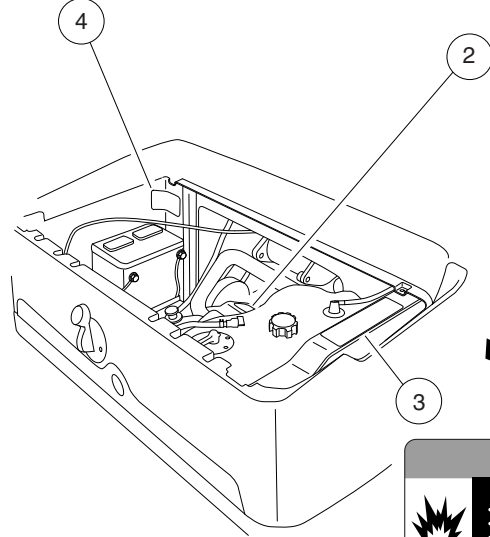
CAN CAUSE SEVERE INJURY

Rotating parts

HOT manifold & muffler

KEEP CLEAR

CCI 101960501



WARNING

GASOLINE EXPLOSION / FIRE CAN CAUSE SEVERE INJURY OR DEATH

- No sparks or open flame near fuel or fuel tank.
- No smoking near fuel or fuel tank.
- Stop engine and allow to cool before refueling.
- Turn fuel valve (—) on during operation.
- Turn fuel valve (—) off during storage or transport.

EXCESSIVE SPEED CAN CAUSE SEVERE INJURY OR DEATH

- Do not tamper with engine governor adjustment.

CCI 102517801

CE

000444-001

DECALS – GASOLINE VEHICLE

ITEM	PART NO.	DESCRIPTION	QTY
		1 2 3 4	
1	101825101	Decal, Off/On	1
2	101960501	Decal, Rotating Parts/Hot Manifold	2
3	102517801	Decal, Warning - Gas and Govenor	1
4	102517901	Decal, Warning - Frame Ground	1
5	102519201	Decal, Operating Instr, Gas	1
6	102519301	Decal, Warning, Rollover	1
7	102538101	Decal, Operating Instructions, Gas, Comfort Grip	1
8	102540901	Decal, Club Car Clip	1
		Note: Item 7 not shown.	

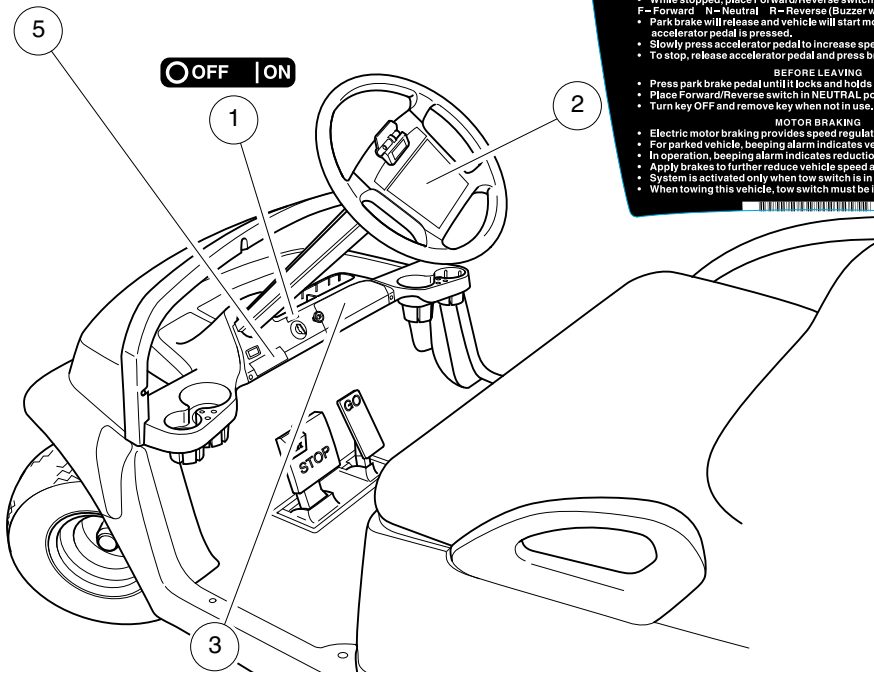
3
G
E

IMPORTANT NOTICE

This vehicle does not conform to ANSI Z130.1 - "Standard for Golf Cars - Safety and Performance Requirements" because it is capable of speeds in excess of 15 miles per hour. Exercise caution.

CCI 102555901

OFF ON



OPERATING INSTRUCTIONS

- Read owner's manual and dash-mounted safety warnings prior to driving.
- Study and understand controls.

TO OPERATE

- Turn wheels to desired direction and ensure path is clear.
- Turn key to ON position.
- While stopped, place Forward/Reverse switch in desired position: F=Forward N=Neutral R=Reverse (Buzzer will sound)
- Park brake will release and vehicle will start moving when accelerator pedal is pressed.
- Slowly press accelerator pedal to increase speed.
- To stop, release accelerator pedal and press brake pedal.

BEFORE LEAVING

- Press park brake pedal until it locks and holds vehicle.
- Place Forward/Reverse switch in NEUTRAL position.
- Turn key OFF and remove key when not in use.

MOTOR BRAKING

- Electric motor braking provides speed regulation functions.
- For parked vehicle, beeping alarm indicates vehicle roll away.
- In operation, beeping alarm indicates reduction in motor braking.
- Apply brakes to further reduce vehicle speed as required.
- System is activated only when tow switch is in the RUN position.
- When towing this vehicle, tow switch must be in the TOW position.

CCI 102518001

WARNING

ROLLOVER OR FALLING OFF MAY CAUSE SERIOUS INJURY OR DEATH.

- Before using vehicle, read operating instructions.
- Do not start vehicle until all occupants are seated.
- Keep entire body inside vehicle while moving.
- Drive slowly in turns and straight up and down slopes.
- Use brakes to reduce speed when coasting downhill.
- Never operate under the influence of alcohol or drugs.
- For use by authorized persons in designated areas only.
- Remain seated while moving.
- Operate from driver side only.
- Never operate on public roads.
- Hold on to seat handle while moving.
- Two (2) persons per seat maximum.
- Never stand in front of or behind vehicle.
- Do not leave children unattended on vehicle.

CCI 102519301

000441-005

DECALS – ELECTRIC VEHICLE

ITEM	PART NO.	DESCRIPTION	QTY
		1 2 3 4	
1	101825101	Decal, Off/On	1
2	102518001	Decal, Operating Instr, Elec	1
3	102519301	Decal, Warning, Rollover	1
4	102538201	Decal, Operating Instr, Ele, Comfort Grip	1
5	102555901	Decal, Private Speed, Prec	1
		Note: Item 4 not shown.	

3
G
E

WARNING

BATTERY EXPLOSION COULD RESULT IN SEVERE PERSONAL INJURY

- Place Run/Tow switch in TOW position before performing any of the following:
 - Disconnecting or connecting battery cables
 - Towing this vehicle
 - Extended storage
 - Servicing the vehicle
- Do not store items in battery compartment.
- Keep electronic components dry.
- Do not operate vehicle without this plate properly installed.
- See vehicle service manual before servicing.

RUN

TOW

CCI 102384601

CAUTION EXPOSURE TO WATER MAY DAMAGE ELECTRONIC COMPONENTS

- Do not direct water stream in the area of this plate.
- See vehicle service manual before servicing.

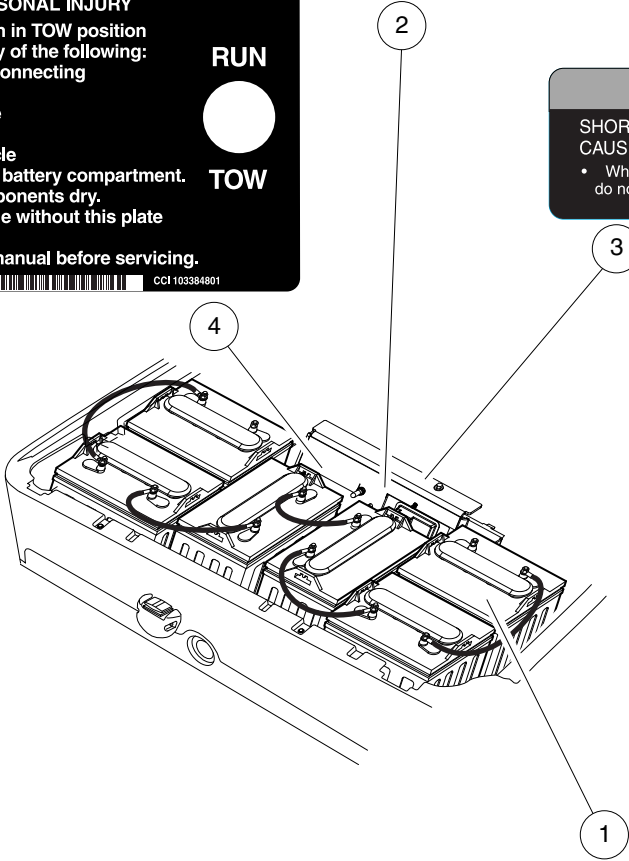
CCI 102384601

WARNING

SHORTING OF BATTERY TERMINALS CAN CAUSE PERSONAL INJURY OR DEATH.

- When removing component mounting plate, do not place plate directly on top of batteries.

103384701



DANGER!

HIGH VOLTAGE...
RISK OF SHOCK
DO NOT TOUCH UNINSULATED TERMINALS OR CONNECTORS.

NO SPARKS, FLAMES, SMOKING

SULFURIC ACID
CAN CAUSE BLINDNESS OR SEVERE BURNS

SHIELD EYES
EXPLOSIVE GASES
CAN CAUSE BLINDNESS OR INJURY

FLUSH EYES IMMEDIATELY WITH WATER.
GET MEDICAL HELP FAST

SEE INSTALLATION, MAINTENANCE AND OPERATION INSTRUCTIONS
VENTILATE WELL WHEN IN AN ENCLOSED SPACE AND WHEN CHARGING.
KEEP OUT OF REACH OF CHILDREN
DO NOT TIP

CCI 102591901

000441-007

DECALS – ELECTRIC VEHICLE, CONTINUED

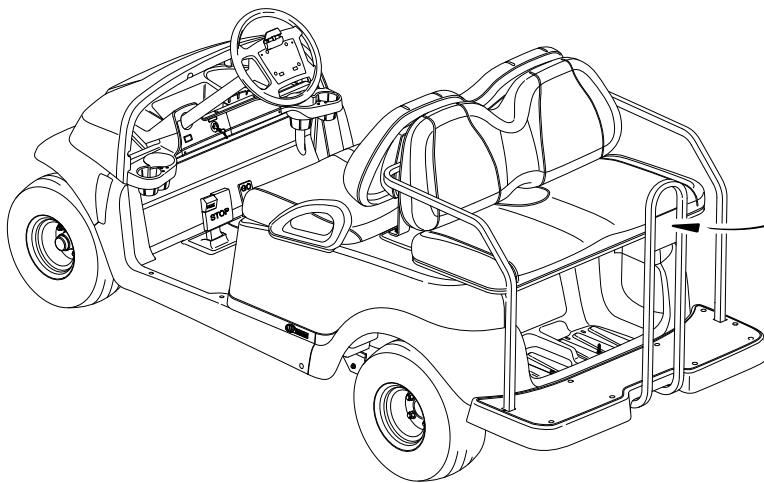
ITEM	PART NO.	DESCRIPTION	QTY
		1 2 3 4	
1	102591901	Warning Tag, Battery, SPWS (For SPWS Accessory)	4
2	103384601	Decal-water Exposure	1
3	103384701	Decal-warning, Short	1
4	103384801	Decal-warning, Run Tow	1

3
G
E

3

G

E



⚠ WARNING

**FALLING OFF COULD RESULT
IN SEVERE INJURY OR DEATH**

- Remain seated with entire body inside vehicle and hold on to seat handle or handrail at all times.
- Two (2) persons per bench seat maximum.
- One (1) person per bucket seat maximum.
- Do not leave children unattended on vehicle at anytime.
- Never stand in front of or behind vehicle.

CCI 101705701



000495-001

DECAL – PRECEDENT VILLAGER 4

ITEM	PART NO.	DESCRIPTION	QTY
1	101705701	1 2 3 4 Decal, Warning	1

3
G
E

3

G

E

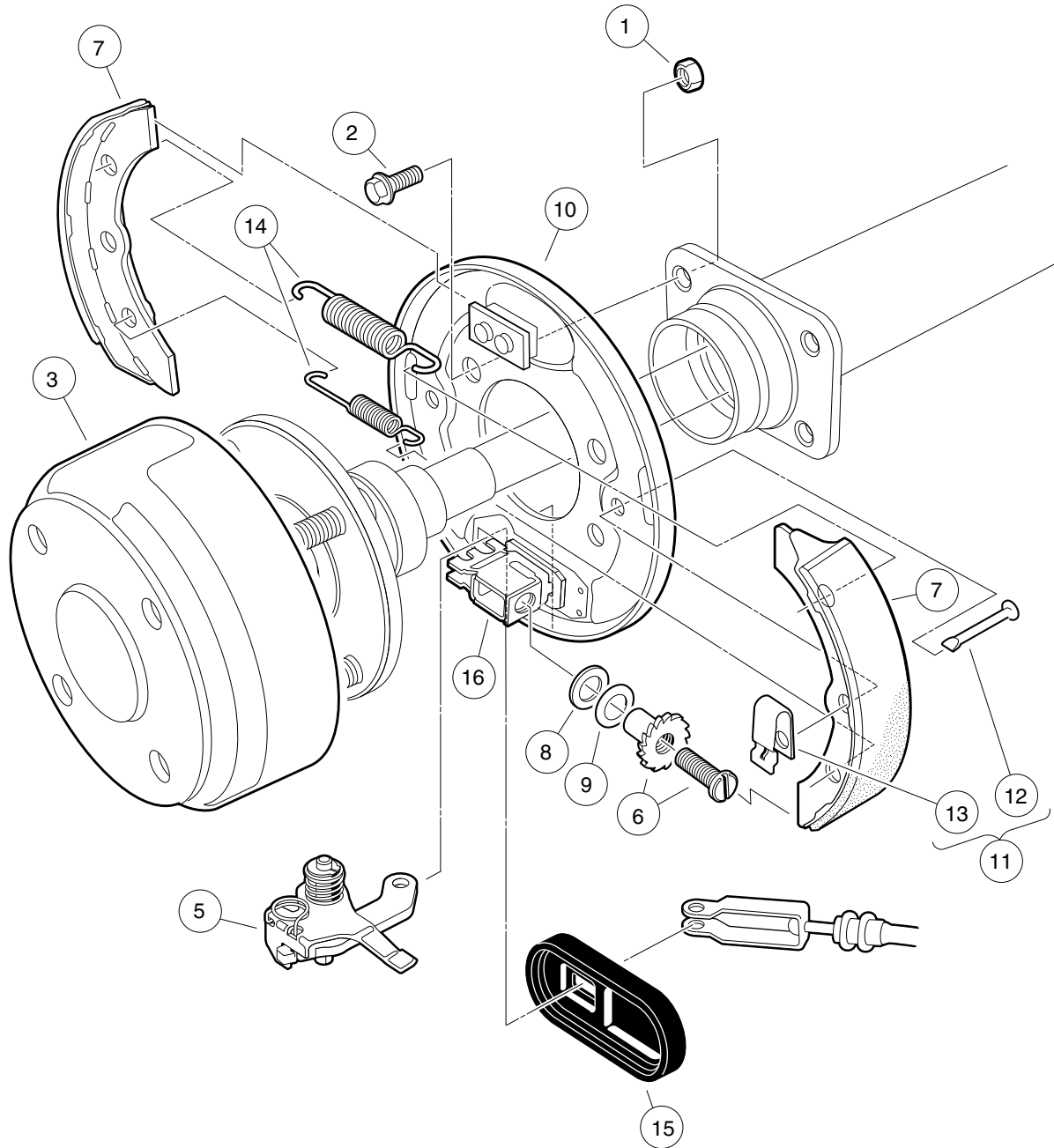
BRAKES AND PEDAL GROUP ASSEMBLIES

4

G

E

4
G
E



000186-003

REAR BRAKE ASSEMBLY, SELF-ADJUSTING

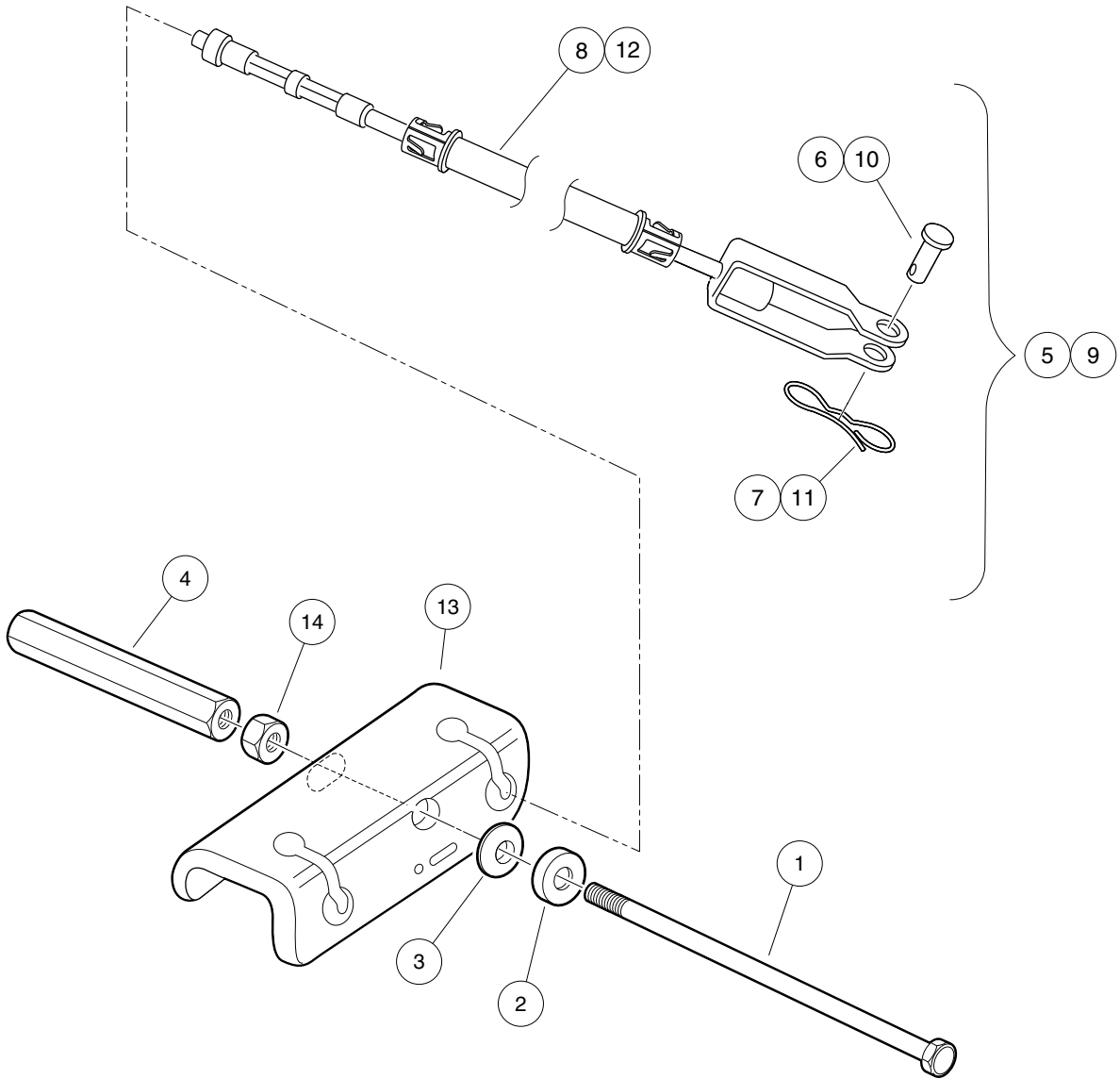
ITEM	PART NO.	DESCRIPTION	QTY
		1 2 3 4	
1	1013924	Nut, 5/16-24 Hex Head Cone	8
2	1014153	Bolt, Brake Cluster Mounting	8
3	101791101	Drum without Center Hole, Brake	2
4	103380201	Asm, Brake Cluster, Mech, Drvr (includes items 5 through 16)	1
5	101815502	Lever Assembly, Self-Adjusting Brake, Left	1
6	101816502	Adjusting Mechanism, Self-Adjusting Brake, Left	1
7	101823201	Package, Brake Shoe, Self-Adjusting	1
8	101823801	Plate, Washer, Brake, Self-Adjusting	1
9	101823901	Washer, Brake, Self-Adjusting	1
10	103483102	Back Plate, Lh	1
11	103483201	Kit, Shoe Retainer (includes items 12 and 13)	1
12	N/A	Pin	2
13	N/A	Spring, Shoe, Clamp	2
14	103483401	Package Brake Spring Self Adj	1
15	103483601	Cover, Dust	1
16	103483701	Brake Block	1
17	103380202	Asm, Brake Cluster, Mech, Pass (includes items 18 through 29)	1
18	101815501	Lever Assembly, Self-Adjusting Brake, Right (Passenger)	1
19	101816501	Adj Mechanism, S.A. Brakes, Right (Passenger)	1
20	101823201	Package, Brake Shoe, Self-Adjusting	1
21	101823801	Plate, Washer, Brake, Self-Adjusting	1
22	101823901	Washer, Brake, Self-Adjusting	1
23	N/A	Back Plate, Rh	1
24	103483201	Kit, Shoe Retainer (includes items 25 and 26)	1
25	N/A	Pin	2
26	N/A	Spring, Shoe, Clamp	2
27	103483401	Package Brake Spring Self Adj	1
28	103483601	Cover, Dust	1
29	103483701	Brake Block	1
Note: Driver-side brake cluster not shown. Components have a similar appearance to passenger-side brake cluster components.			

4

G

E

4
G
E



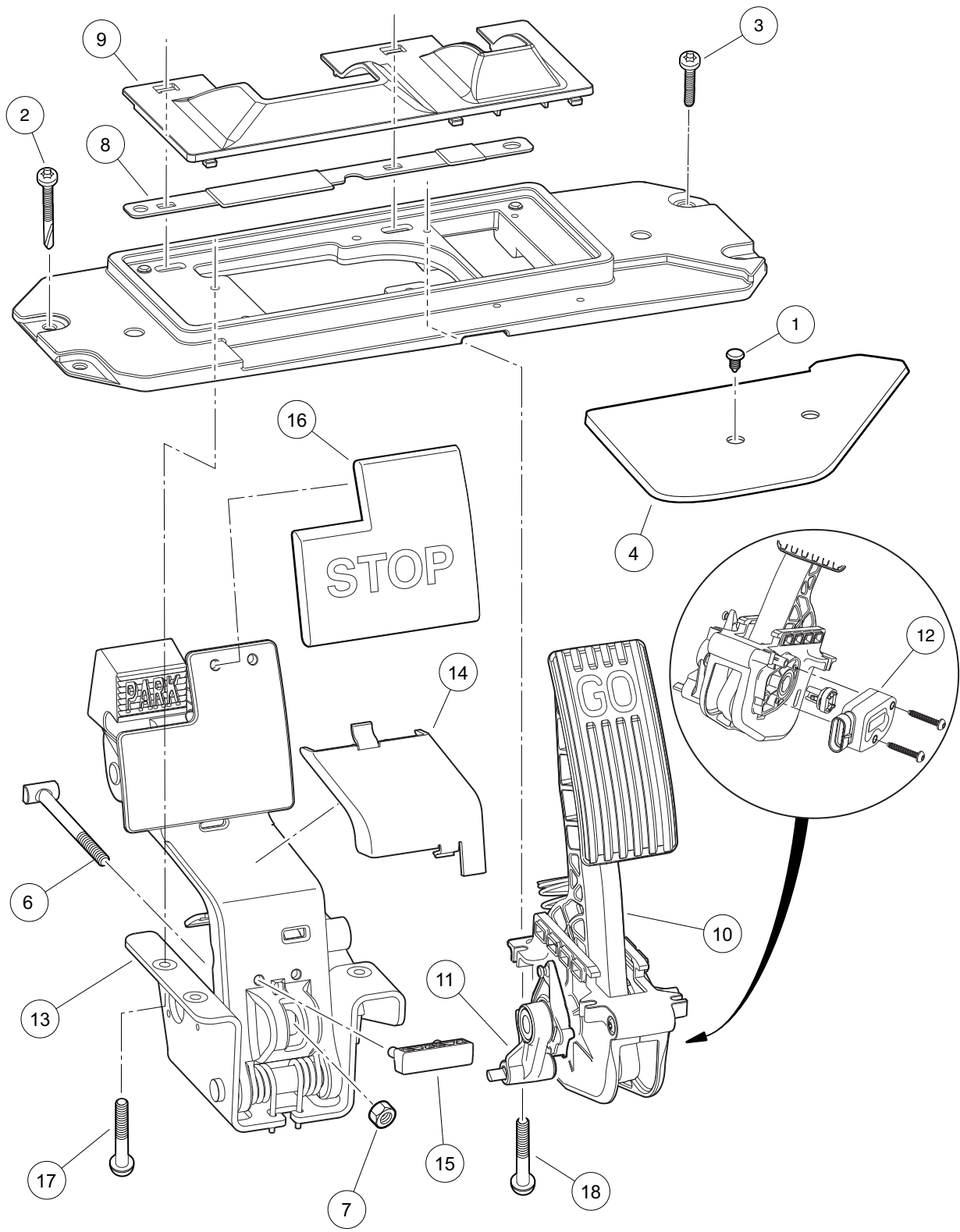
000467-005

BRAKE CABLES AND EQUALIZER BRACKET

ITEM	PART NO.	DESCRIPTION	QTY
		1 2 3 4	
1	102297901	Bolt, 5/16-18 X 7.375, Hex	1
2	102551901	Washer, 5/16, Self Comp, Cup	1
3	102552001	Washer, 5/16, Self Comp, Cone	1
4	102594301	Nut, 5/16-18, Hex Adjusting -l	1
5	103528701	Kit, Brake Cable, Prec, Rh (includes items 6 through 8)	1
6	1010829	Pin, Clevis, 5/16 X 3/4	1
7	102292801	Pin, Bow Tie Locking - .072	1
8	N/A	Cable, Brake, Prec, Right	1
9	103528702	Kit, Brake Cable, Prec, Lh (includes items 10 through 12)	1
10	1010829	Pin, Clevis, 5/16 X 3/4	1
11	102292801	Pin, Bow Tie Locking - .072	1
12	N/A	Cable, Brake, Prec, Left	1
13	103535001	Bracket, Equalizer, Prec Awd	1
14	1242	Nut, 5/16-18 Hex	1

4
G
E

4
G
E



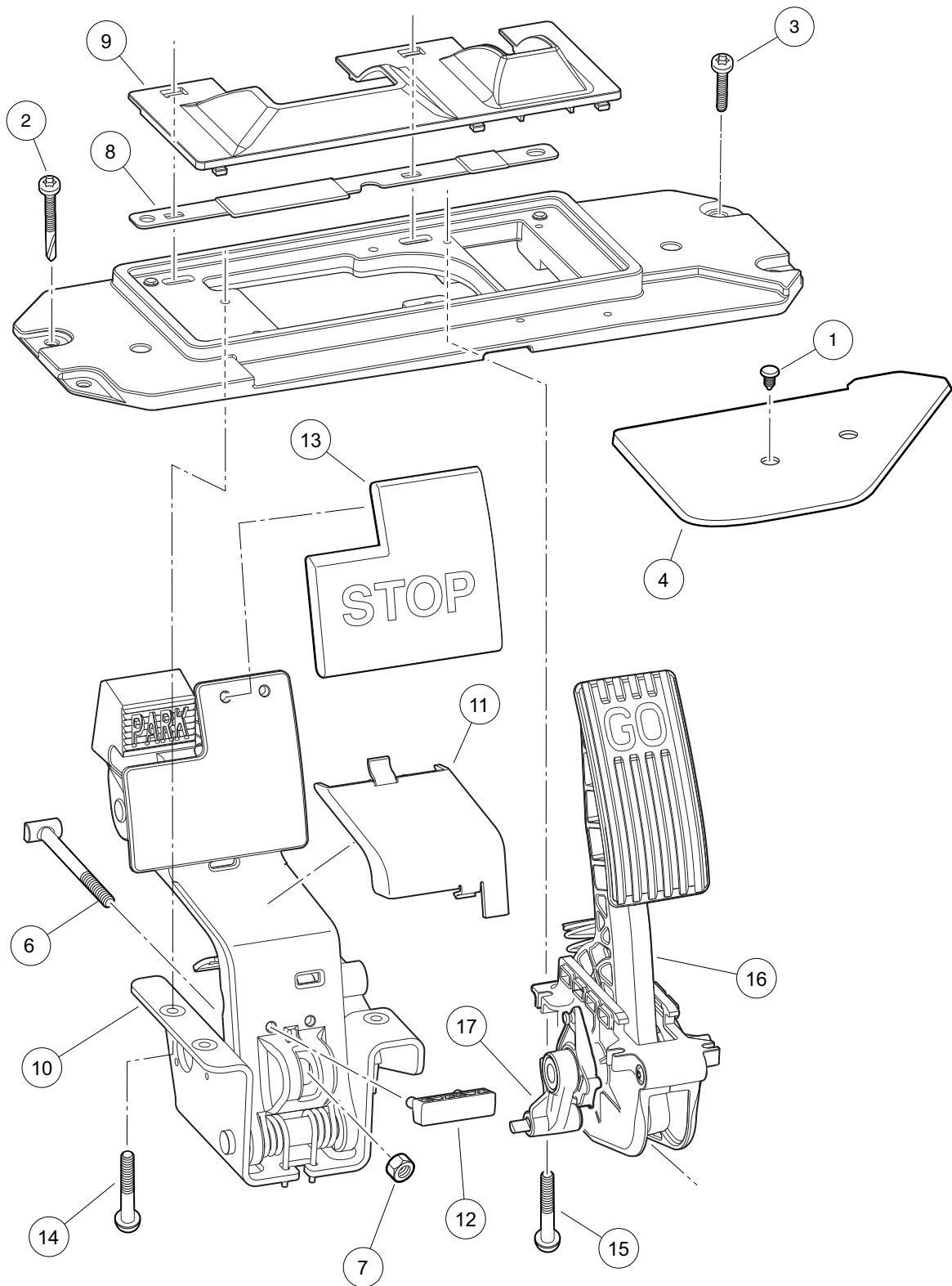
000487-008

PEDAL GROUP WITH SENSOR, GENERATION 2 – GASOLINE VEHICLE

ITEM	PART NO.	DESCRIPTION	QTY
		1 2 3 4	
1	1010434	Barrel - Plastic	1
2	102292201	Screw-1/4-20x2.20 Tx Pn Hd Sd	2
3	102298030	Screw, K80x30, Torx Pn Hd Pt	2
4	102500801	Plate - Floor Cover	1
5	102595015	Pedal Assy Gas Triac Sp (includes items 6 through 18)	1
6	102559401	Rod, Brake	1
7	102559701	Nut, Brake Rod	1
8	102594801	Shield, Debris Aux	1
9	102594901	Shield, Debris Primary	1
10	102595502	Accelerator Pedal,(throttle) Gas (includes items 11 and 12)	1
11	103777601	Asm, G2, Anod Park Brake Release	1
12	N/A	Throttle Sensor	1
13	102595701	Assy, Brake (includes items 14 through 16)	1
14	102595201	Cover, Brake	1
15	102595301	Upstop, Brake	1
16	102595401	Pad, Brake	1
17	102595901	Screw, M6x1.0x17 Ph, Taptite	4
18	102596001	Screw, M5x0.8x18 Ph, Taptite	4
		Note: The anodized park brake release assembly, 103777601, incorporated during mid-model year 2010 beginning with vehicle serial number 1033-118753 and replaced park brake release assembly 103760701.	

4
G
E

4
G
E



000487-013

PEDAL GROUP, NO SENSOR, GENERATION 2 – GASOLINE VEHICLE

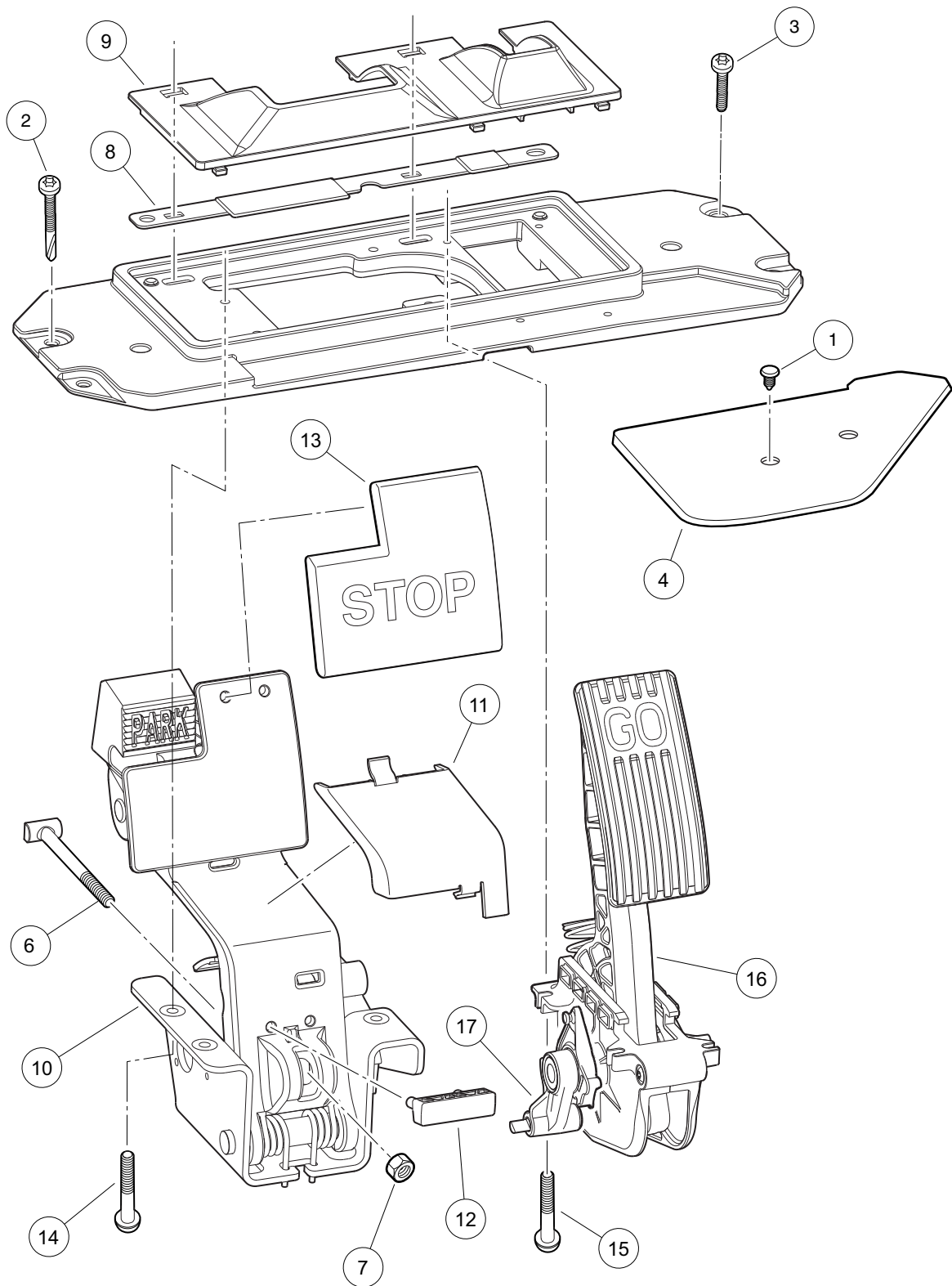
ITEM	PART NO.	DESCRIPTION	QTY
		1 2 3 4	
1	1010434	Barrel - Plastic	1
2	102292201	Screw-1/4-20x2.20 Tx Pn Hd Sd	2
3	102298030	Screw, K80x30, Torx Pn Hd Pt	2
4	102500801	Plate - Floor Cover	1
5	102595021	Field Service Pedal (includes items 6 through 16)	1
6	102559401	Rod, Brake	1
7	102559701	Nut, Brake Rod	1
8	102594801	Shield, Debris Aux	1
9	102594901	Shield, Debris Primary	1
10	102595701	Assy, Brake (includes items 11 through 13)	1
11	102595201	Cover, Brake	1
12	102595301	Upstop, Brake	1
13	102595401	Pad, Brake	1
14	102595901	Screw, M6x1.0x17 Ph, Taptite	4
15	102596001	Screw, M5x0.8x18 Ph, Taptite	4
16	102596301	Throttle, G2, No Sensor (includes item 17)	1
17	103777601	Asm, G2, Anod Park Brake Release	1
<p>Note: 102595021 has no sensor and is common to both gas and electric vehicles. Note 2: The anodized park brake release assembly, 103777601, incorporated during mid-model year 2010 beginning with vehicle serial number 1033-118753 and replaced park brake release assembly 103760701.</p>			

4

G

E

4
G
E



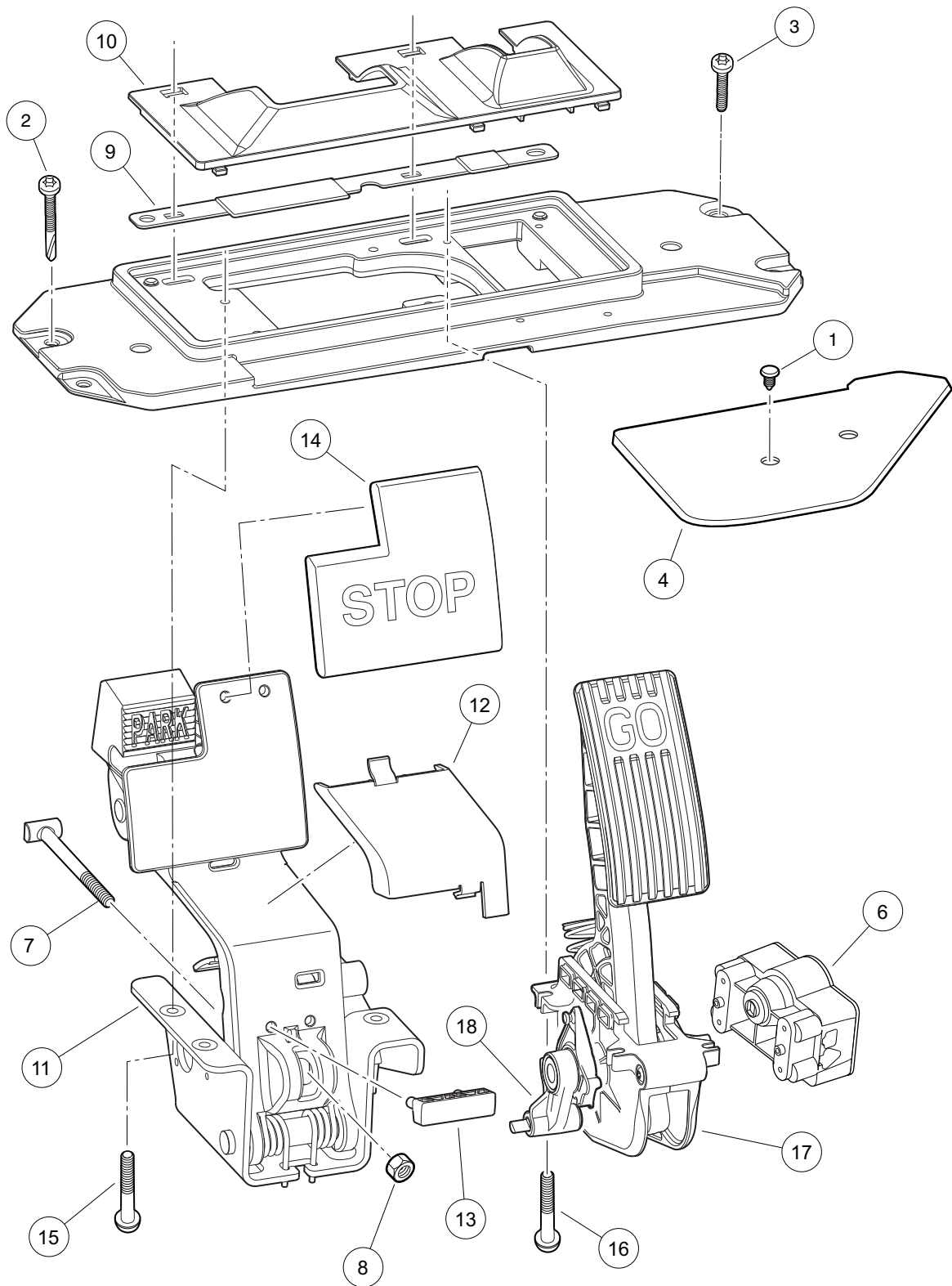
000487-009

PEDAL GROUP, NO MCOR, GENERATION 2 – ELECTRIC VEHICLE

ITEM	PART NO.	DESCRIPTION	QTY
		1 2 3 4	
1	1010434	Barrel - Plastic	1
2	102292201	Screw-1/4-20x2.20 Tx Pn Hd Sd	2
3	102298030	Screw, K80x30, Torx Pn Hd Pt	2
4	102500801	Plate - Floor Cover	1
5	102595021	Field Service Pedal (includes items 6 through 16)	1
6	102559401	Rod, Brake	1
7	102559701	Nut, Brake Rod	1
8	102594801	Shield, Debris Aux	1
9	102594901	Shield, Debris Primary	1
10	102595701	Assy, Brake (includes items 11 through 13)	1
11	102595201	Cover, Brake	1
12	102595301	Upstop, Brake	1
13	102595401	Pad, Brake	1
14	102595901	Screw, M6x1.0x17 Ph, Taptite	4
15	102596001	Screw, M5x0.8x18 Ph, Taptite	4
16	102596301	Throttle, G2, No Sensor (includes item 17)	1
17	103777601	Asm, G2, Anod Park Brake Release	1
<p>Note: 102595021 has no MCOR and is common to both gas and electric vehicles. Note 2: The anodized park brake release assembly, 103777601, incorporated during mid-model year 2010 beginning with vehicle serial number 1033-118753 and replaced park brake release assembly 103760701.</p>			

4
G
E

4
G
E



000487-014

PEDAL GROUP, WITH MCOR, GENERATION 2 – ELECTRIC VEHICLE

ITEM	PART NO.	DESCRIPTION	QTY
		1 2 3 4	
1	1010434	Barrel - Plastic	1
2	102292201	Screw-1/4-20x2.20 Tx Pn Hd Sd	2
3	102298030	Screw, K80x30, Torx Pn Hd Pt	2
4	102500801	Plate - Floor Cover	1
5	102596211	Pedal Assy Mcor Sp (includes items 6 through 17)	1
6	N/A	Mcor, Prec	1
7	102559401	Rod, Brake	1
8	102559701	Nut, Brake Rod	1
9	102594801	Shield, Debris Aux	1
10	102594901	Shield, Debris Primary	1
11	102595701	Assy, Brake (includes items 12 through 14)	1
12	102595201	Cover, Brake	1
13	102595301	Upstop, Brake	1
14	102595401	Pad, Brake	1
15	102595901	Screw, M6x1.0x17 Ph, Taptite	4
16	102596001	Screw, M5x0.8x18 Ph, Taptite	4
17	102596301	Throttle, G2, No Sensor (includes item 18)	1
18	103777601	Asm, G2, Anod Park Brake Release	1
<p>Note: See the Electrical System - Section 12 for MCOR information. Note 2: When replacing a sensor pedal group with an MCOR pedal group, a conversion MCOR jumper harness, 103682701, is needed. See MCOR in Section 12. Note 3: The anodized park brake release assembly, 103777601, incorporated during mid-model year 2010 beginning with vehicle serial number 1033-118753 and replaced park brake release assembly 103760701.</p>			

4
G
E

4

G

E

STEERING, FRONT AND REAR SUSPENSION

5

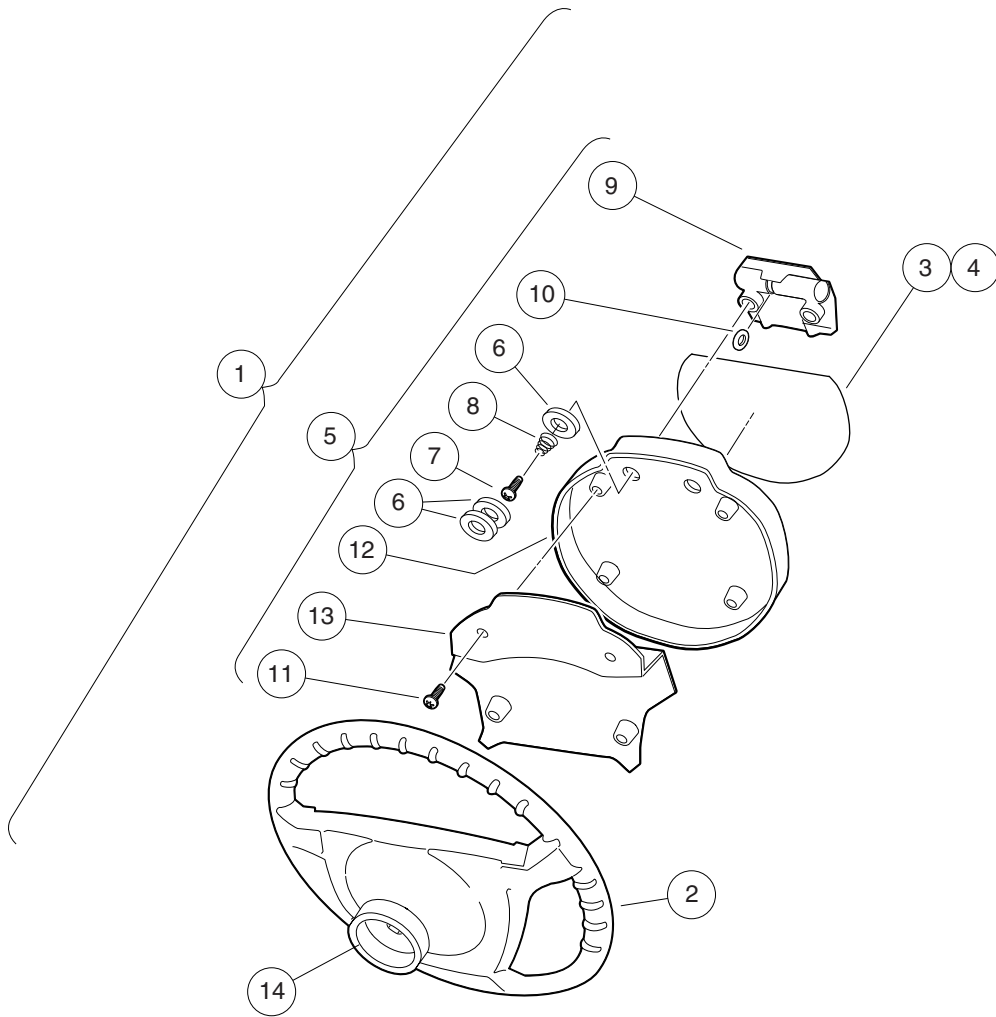
G

E

5

G

E



000470-004

STEERING WHEEL – I2L AND CHAMPION

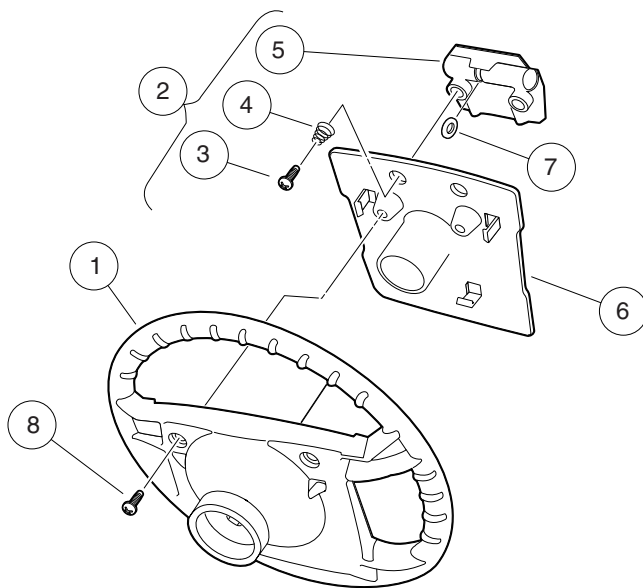
ITEM	PART NO.	DESCRIPTION	QTY
		1 2 3 4	
1	AM1229401	Kit, Comfort Grip Conv, Hex (includes items 2 through 14)	1
2	102537801	Steering Wheel, Comfort Grip, Hex	1
3	102538101	Decal, Operating Instructions, Gas, Comfort Grip	1
4	102538201	Decal, Operating Instr, Ele, Comfort Grip	1
5	102540801	Scorecard Plate Assembly (includes items 6 through 13)	1
6	1011697	Washer, 5/16 Flat	6
7	1012565	Screw, #12 Phillips Round Head	2
8	1012566	Tapered Compression Spring	2
9	1016154	Clip, Scorecard	1
10	1016214	Pencil Grip	1
11	102296020	Screw, Torx Pan Hd Pt, M6 X 20	4
12	N/A	Scorecard Plate, Comfort Grip	1
13	N/A	Scorecard Back Plate	1
14	102571301	Shroud, Steering Column	1

5
G
E

5

G

E

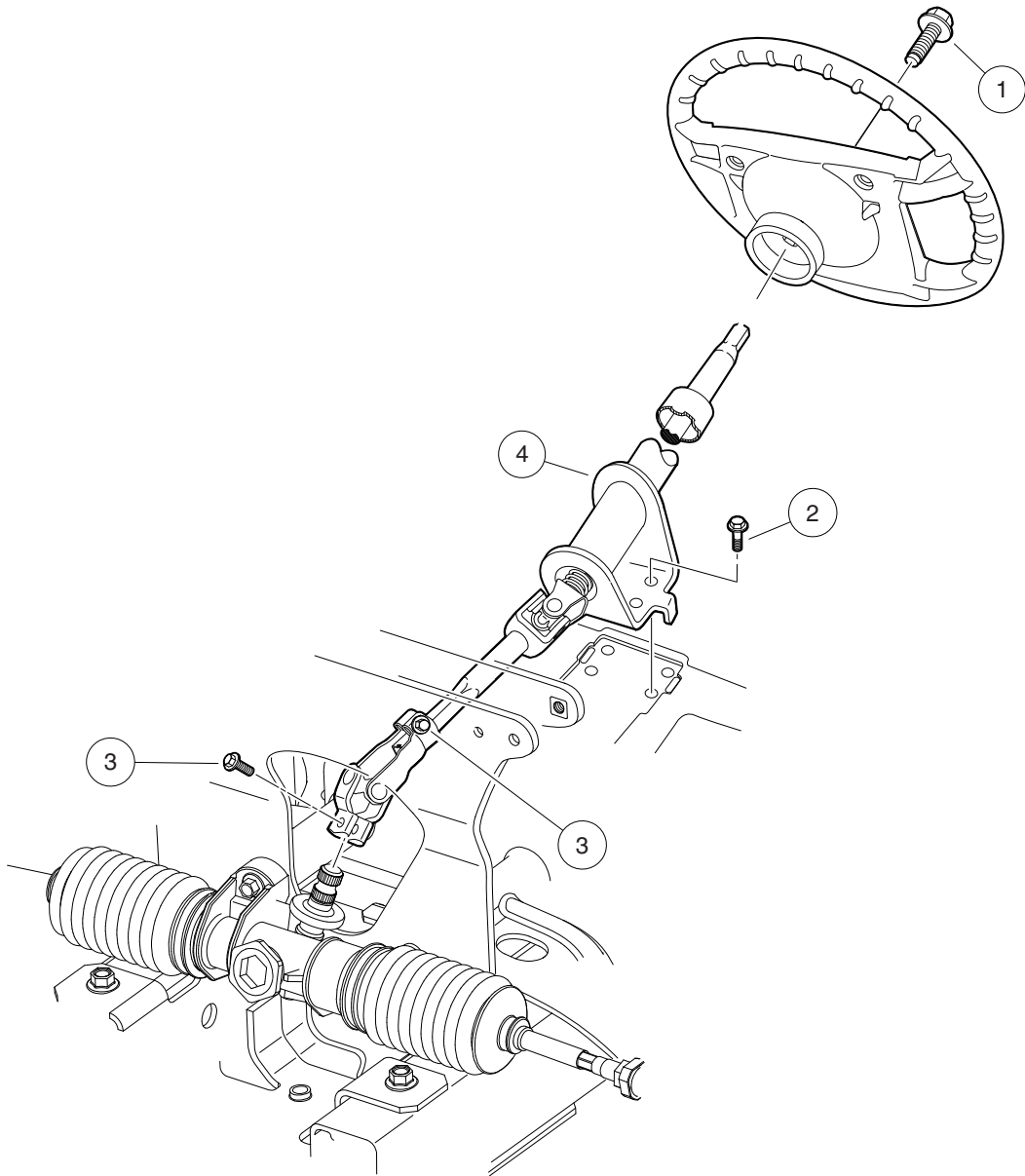


000471-003

STEERING WHEEL – I2 AND PROFESSIONAL

ITEM	PART NO.	DESCRIPTION	QTY
		1 2 3 4	
1	101615602	Wheel Assy, Tri-Lobe Steering	1
2	1016219	Plate, Scorecard (includes items 3 through 7)	1
3	1012565	Screw, #12 Phillips Round Head	2
4	1012566	Tapered Compression Spring	2
5	1016154	Clip, Scorecard	1
6	N/A	Plate, Score Card	1
7	1016214	Pencil Grip	1
8	1016663	Screw, #12-14 X 0.625	2

5
G
E



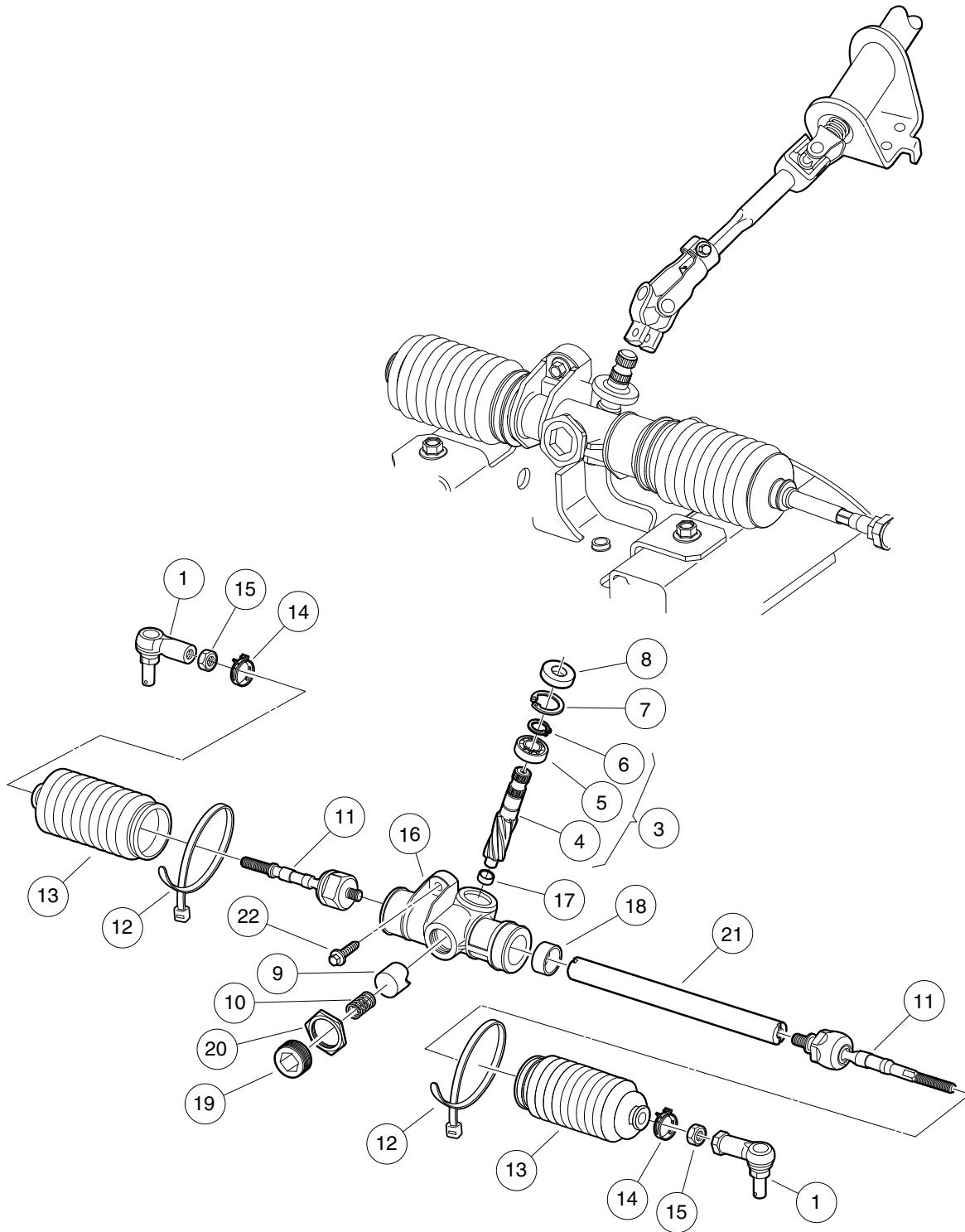
000469-003

STEERING COLUMN

ITEM	PART NO.	DESCRIPTION	QTY
		1 2 3 4	
1	102290120	Bolt, M10 X 20 Hex Washer Hd	1
2	102298116	Bolt - Flanged Hd, M8 X 16.0	4
3	102298130	Bolt, Flange Head, M8 X 30.0	2
4	103209501	Assy, Steering Column, Ld	1

5
G
E

5
G
E

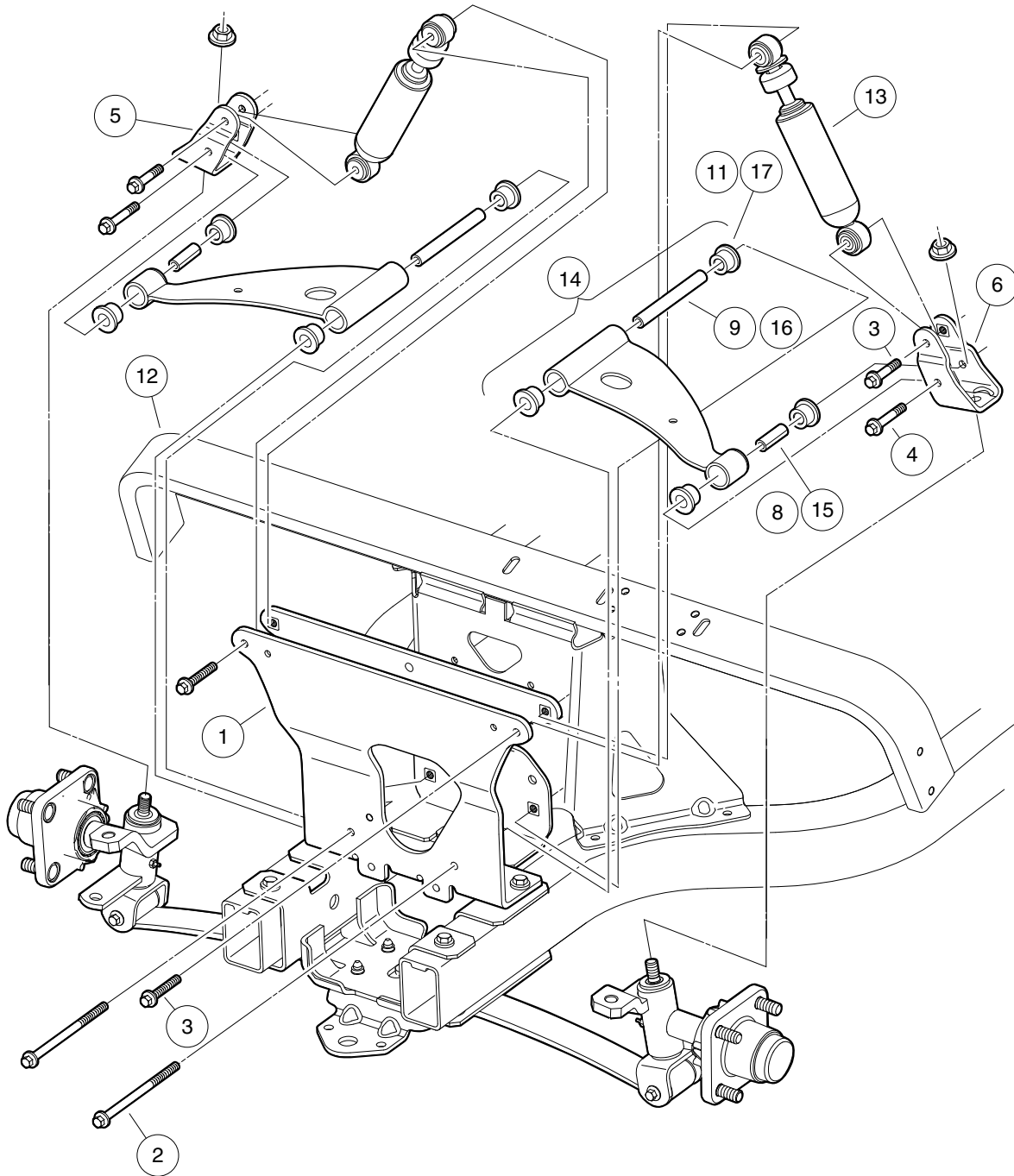


000476-004

STEERING GEAR ASSEMBLY

ITEM	PART NO.	DESCRIPTION	QTY	
		1 2 3 4		5
1	102022601	End, Tie Rod M12 X 1.25 Rh	2	G
2	102288601	Steering Gear Box Assembly (includes items 3 through 21)	1	E
3	102564901	Asm, Pinion, Steer Gear, Prec (includes items 4 through 6)	1	
4	N/A	Pinion, Steering	1	
5	N/A	Bearing, Ball	1	
6	N/A	Ring, Retaining	1	
7	102565101	Ring, C-type, Stop, Prec	1	
8	102565201	Seal, Dust, Steering, Pinion	1	
9	102565301	Yoke, Support	1	
10	102565401	Spring, Yoke, Prec	1	
11	102565701	Assy, Ball Joint, Inner, Prec	2	
12	102565801	Wrap, Tie, Steel, Prec	2	
13	102565901	Bellows, Steering	2	
14	102566001	Clip, Steering, Prec	2	
15	102566101	Nut,m12-1.25,jam,steer,prec	2	
16	N/A	Housing, Pinion (includes items 17 and 18)	1	
17	N/A	Bearing, Needle	1	
18	N/A	Bushing, Rack	1	
19	N/A	Plug, Yoke	1	
20	N/A	Nut, Lock, Rack Screw	1	
21	N/A	Rack, Steering	1	
22	102289001	Screw, M8X1.25X30, Hex	3	

5
G
E



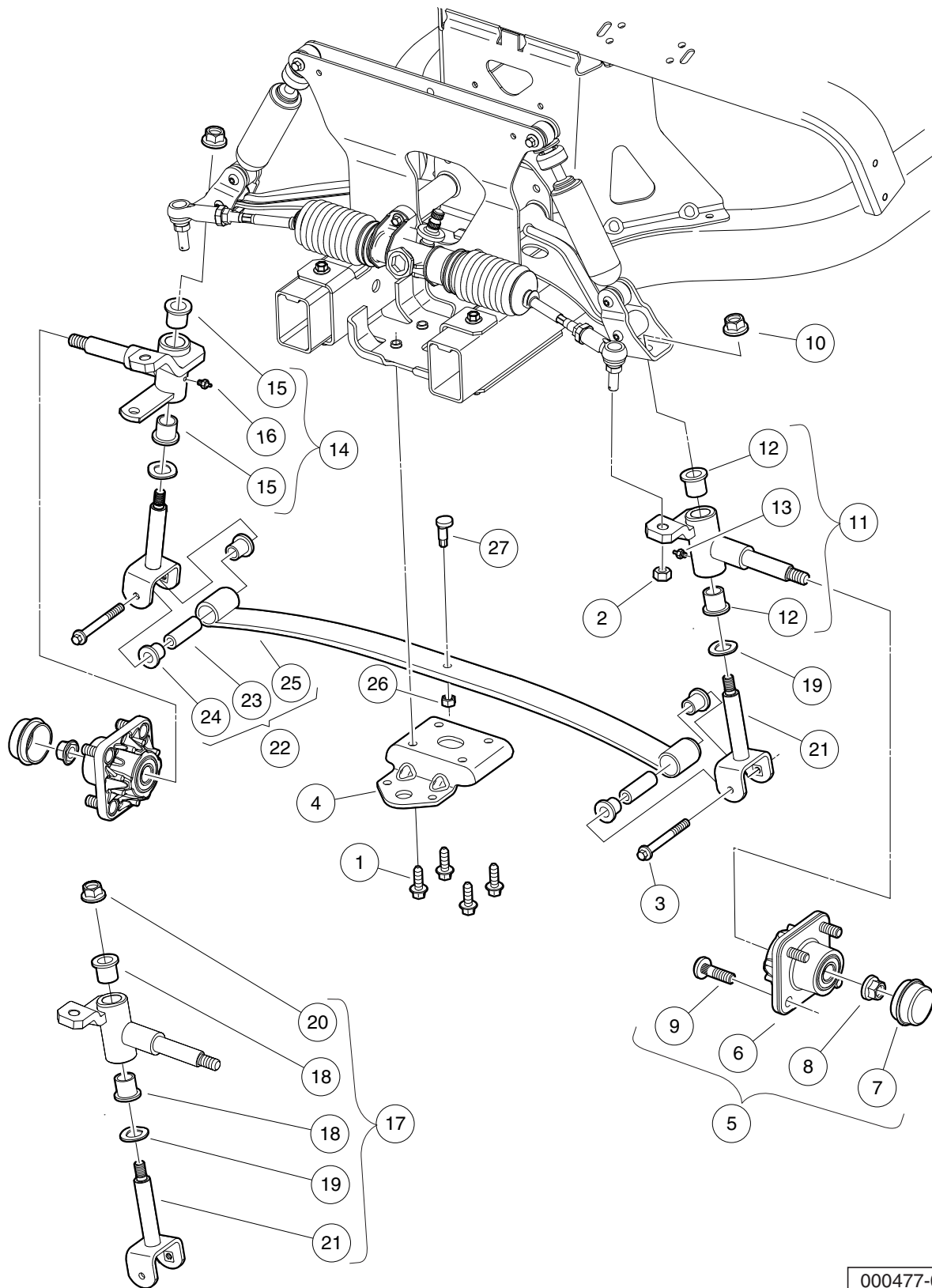
000445-005

FRONT SUSPENSION, UPPER

ITEM	PART NO.	DESCRIPTION	QTY
		1 2 3 4	
1	102287101	Assembly - Front Structure	1
2	102288901	Bolt - Hex, M8x1.25 X 135	2
3	102289401	Screw- Hex Cap, M8 X 1.25 X 45	4
4	102289501	Screw- Hex Cap, M8 X 1.25 X 70	2
5	102289601	Upper Clevis Assembly - Rh	1
6	102289701	Upper Clevis Assembly - Lh	1
7	102289901	Kit, Susp, Bushing Joints (includes items 8 through 11)	1
8	102287601	Sleeve - Rolled, Outer	2
9	102287701	Sleeve - Rolled, Inner	2
10	102288101	Sleeve - Rolled, Spring	2
11	102956201	Bushing, Urethane, Short, Prec	12
12	102505701	Assembly, Dash Support	1
13	102588601	Shock Absorber Front Prv Spd	2
14	103388501	Asm, 3 Piece A-arm, Bushings (includes items 15 through 17)	2
15	102287601	Sleeve - Rolled, Outer	1
16	102287701	Sleeve - Rolled, Inner	1
17	102956201	Bushing, Urethane, Short, Prec	4
		Note: Item 7 (not shown) includes bushings and sleeves for control arms and front suspension leaf spring. See lower suspension page for illustration of item 10.	

5
G
E

5
G
E



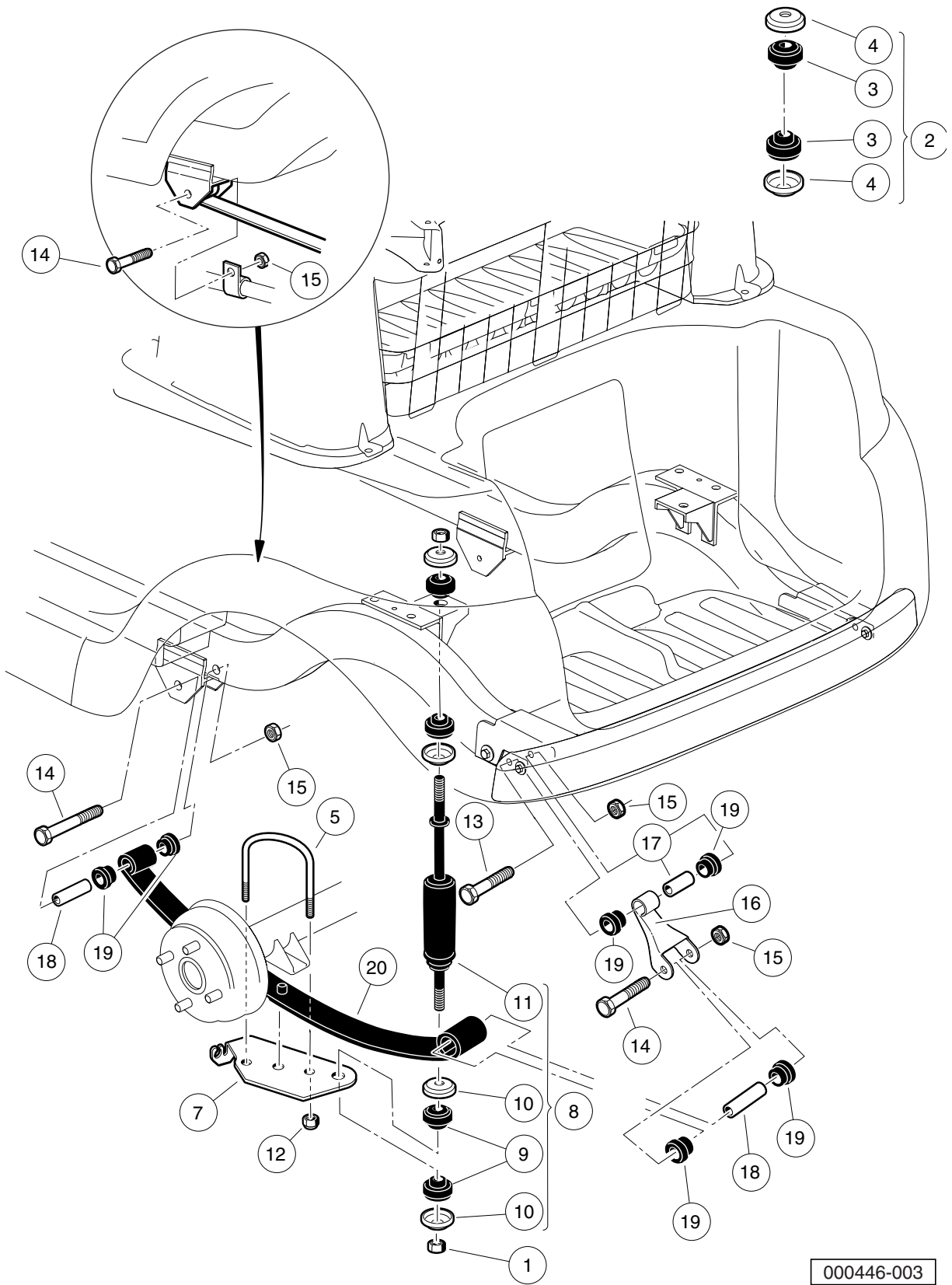
000477-005

FRONT SUSPENSION, LOWER

ITEM	PART NO.	DESCRIPTION	QTY
		1 2 3 4	
1	102289101	Screw-m10x1.5, Trilob, Hex Fl	4
2	102289201	Nut - Hex Locking, M12 X 1.25	2
3	102289501	Screw- Hex Cap, M8 X 1.25 X 70	2
4	102289801	Clamp - Leaf Spring	1
5	102357701	Replacement Kit, Front Hub (includes items 6 through 9)	1
6	N/A	Front Hub, Ball Bearing	1
7	102353201	Cap, Front Hub	1
8	102353301	Hex Nut, Locking Flange, M14x2	1
9	102353401	Lug Stud, 1/2-20 UNF, 4037 Stl	4
10	102878201	Nut, Lock,m12,washer,conical	2
11	103638701	Asm, Spindle-bushings, Lh (includes items 12 and 13)	1
12	102288201	Bushing - Flanged	2
13	N/A	Fitting, Grease, Knuckle Spindle Asym	1
14	103638702	Asm, Spindle-bushings, Rh (includes items 15 and 16)	1
15	102288201	Bushing - Flanged	2
16	N/A	Fitting, Grease, Knuckle Spindle Asym	1
17	103638801	Kit, King Pin Joints, Prec (includes items 18 through 21)	1
18	102288201	Bushing - Flanged	4
19	102288401	Wave Washer - Kingpin	2
20	102878201	Nut, Lock,m12,washer,conical	2
21	103638601	Asm, King Pin, M12	2
22	103711001	Asm, Spring, Leaf, Front, Prec (includes items 23 through 25)	1
23	102288101	Sleeve - Rolled, Spring	2
24	102956201	Bushing, Urethane, Short, Prec	4
25	N/A	Spring, 1 Leaf, Front	1
26	706	Nut, Hex 3/8-16	1
27	8745	Screw, Eccentric Adjustment	1

5
G
E

5
G
E



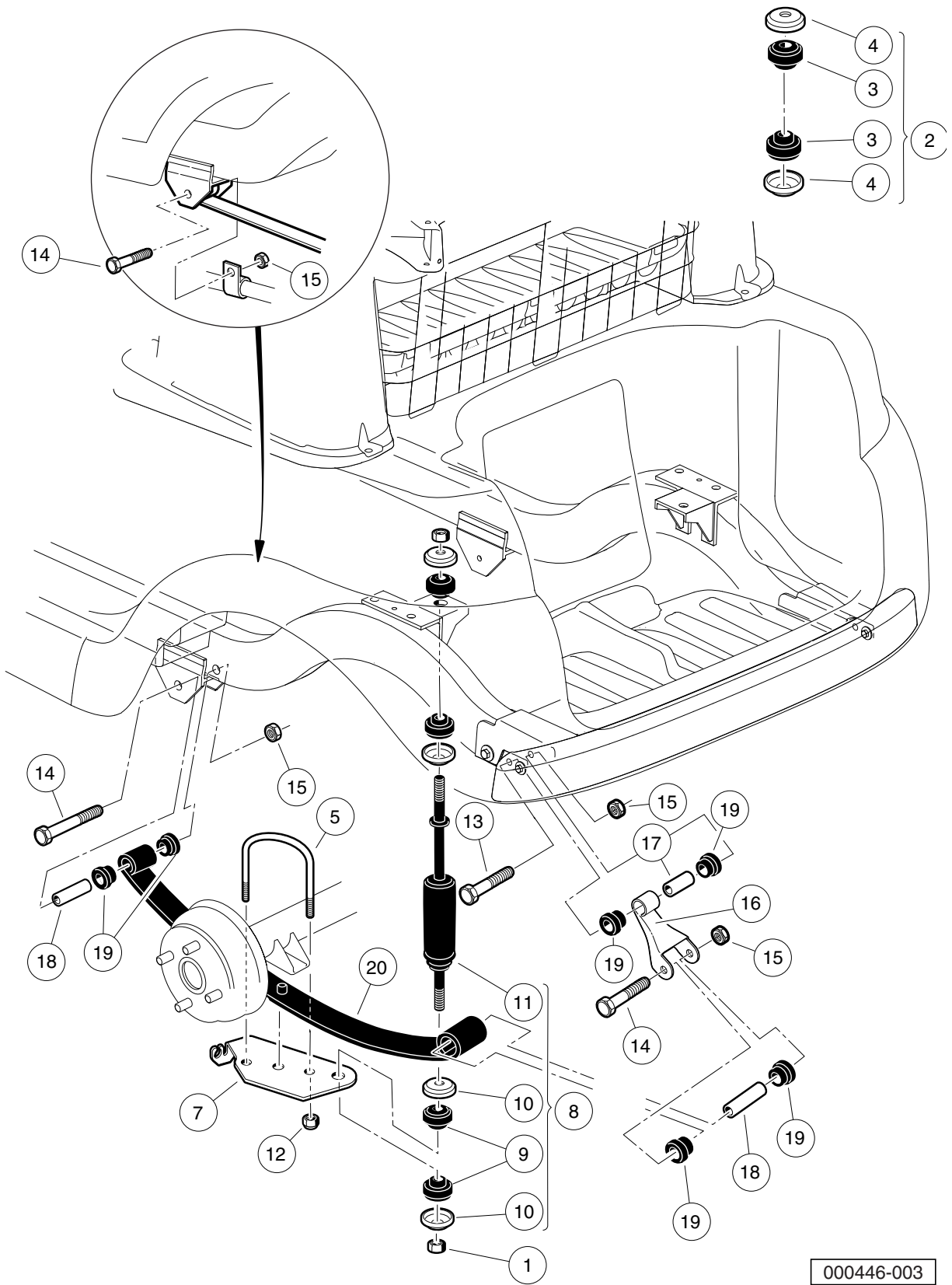
000446-003

REAR SUSPENSION – GASOLINE VEHICLE

ITEM	PART NO.	DESCRIPTION	QTY
		1 2 3 4	
1	1010145	Nut, 3/8-24 Hex	4
2	1011415	Kit, Shock Absorber Cushion (includes items 3 and 4)	2
3	N/A	Cushion, Shock Absorber	2
4	N/A	Retainer, Shock Absorber Cushion	2
5	1012180	U-Bolt	2
6	1012181	Bracket, Shock Mounting, Right (Passenger)	1
7	1012182	Bracket, Shock Mounting, Left (Driver)	1
8	1013164	Shock Absorber Kit (includes items 9 through 11)	1
9	N/A	Cushion, Shock Absorber	8
10	N/A	Retainer, Shock Absorber Cushion	8
11	102588501	Shock Absorber Rear Prv Spd	2
12	1014555	Locknut, 7/16-14 Nylon Hex	4
13	102298170	Bolt - Flange Hd, M8 X 70.0	2
14	102298185	Bolt - Flange Hd, M8 X 85.0	4
15	102298401	Nut,m8,all Metal Lock	6
16	102506201	Shackle - Rear	2
17	102506301	Sleeve - Shackle Upper	2
18	102506401	Sleeve - Spring Eye Mounts	4
19	102506601	Bushing - Urethane	12
20	102513001	Rear Leaf Spring, Gas	2

5
G
E

5
G
E



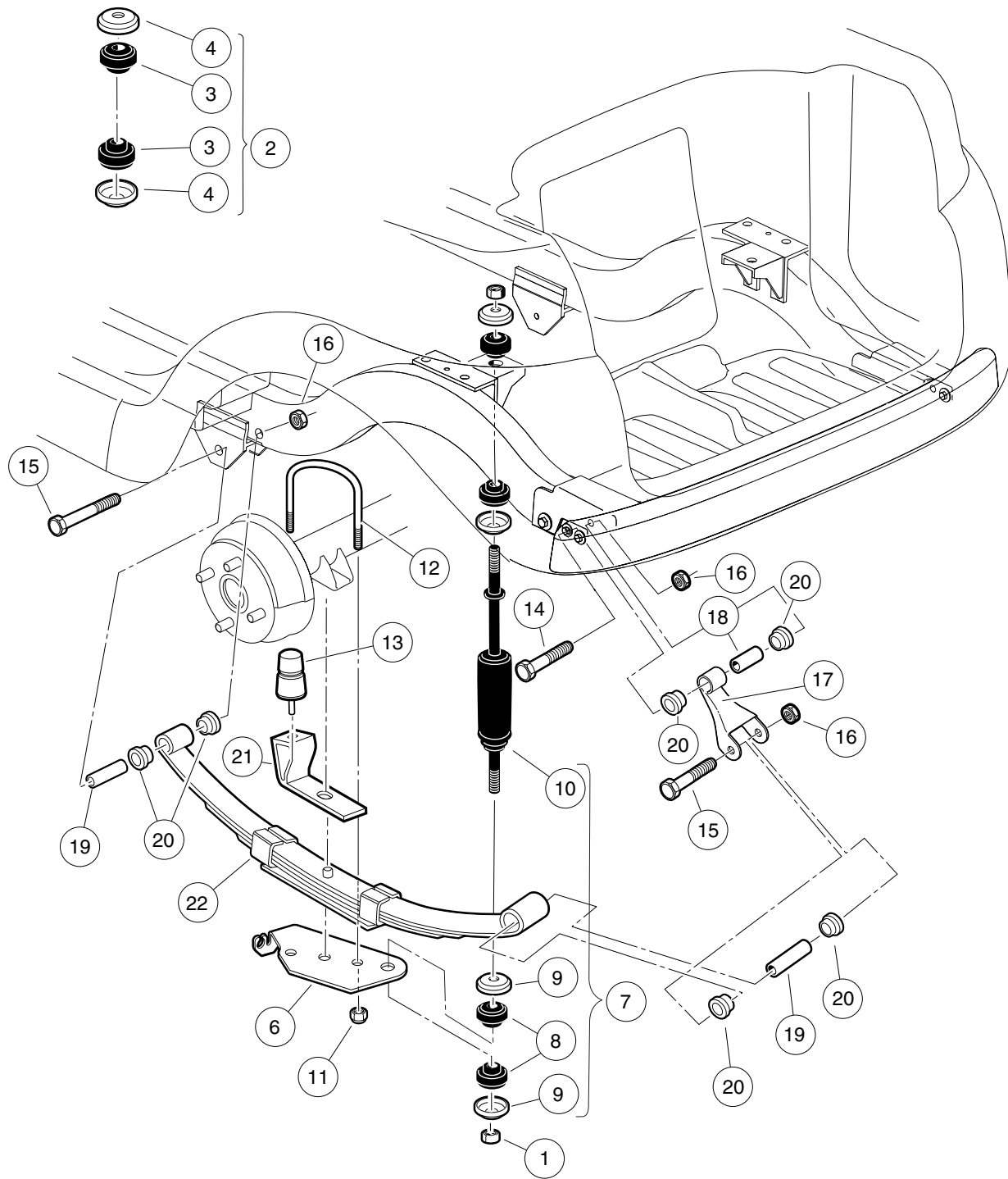
000446-003

REAR SUSPENSION – ELECTRIC VEHICLE

ITEM	PART NO.	DESCRIPTION	QTY
		1 2 3 4	
1	1010145	Nut, 3/8-24 Hex	4
2	1011415	Kit, Shock Absorber Cushion (includes items 3 and 4)	2
3	N/A	Cushion, Shock Absorber	2
4	N/A	Retainer, Shock Absorber Cushion	2
5	1012180	U-Bolt	2
6	1012181	Bracket, Shock Mounting, Right (Passenger)	1
7	1012182	Bracket, Shock Mounting, Left (Driver)	1
8	1013164	Shock Absorber Kit (includes items 9 through 11)	1
9	N/A	Cushion, Shock Absorber	8
10	N/A	Retainer, Shock Absorber Cushion	8
11	102588501	Shock Absorber Rear Prv Spd	2
12	1014555	Locknut, 7/16-14 Nylon Hex	4
13	102298170	Bolt - Flange Hd, M8 X 70.0	2
14	102298185	Bolt - Flange Hd, M8 X 85.0	4
15	102298401	Nut,m8,all Metal Lock	6
16	102506201	Shackle - Rear	2
17	102506301	Sleeve - Shackle Upper	2
18	102506401	Sleeve - Spring Eye Mounts	4
19	102506601	Bushing - Urethane	12
20	102509301	Rear Leaf Spring, Elec	2

5
G
E

5
G
E



000492-002

REAR SUSPENSION – PRECEDENT VILLAGER 4

ITEM	PART NO.	DESCRIPTION	QTY
		1 2 3 4	
1	1010145	Nut, 3/8-24 Hex	4
2	1011415	Kit, Shock Absorber Cushion (includes items 3 and 4)	2
3	N/A	Cushion, Shock Absorber	2
4	N/A	Retainer, Shock Absorber Cushion	2
5	1012181	Bracket, Shock Mounting, Right (Passenger)	1
6	1012182	Bracket, Shock Mounting, Left (Driver)	1
7	1013164	Shock Absorber Kit (includes items 8 through 10)	1
8	N/A	Cushion, Shock Absorber	8
9	N/A	Retainer, Shock Absorber Cushion	8
10	102588501	Shock Absorber Rear Prv Spd	2
11	1014555	Locknut, 7/16-14 Nylon Hex	4
12	1014902	U-Bolt	2
13	1017235	Bumper, Jounce	2
14	102298170	Bolt - Flange Hd, M8 X 70.0	2
15	102298185	Bolt - Flange Hd, M8 X 85.0	4
16	102298401	Nut,m8,all Metal Lock	6
17	102506201	Shackle - Rear	2
18	102506301	Sleeve - Shackle Upper	2
19	102506401	Sleeve - Spring Eye Mounts	4
20	102506601	Bushing - Urethane	12
21	102534801	Jounce Bumper Bracket	2
22	102544901	Spring, Leaf, Rear	2

5
G
E

5

G

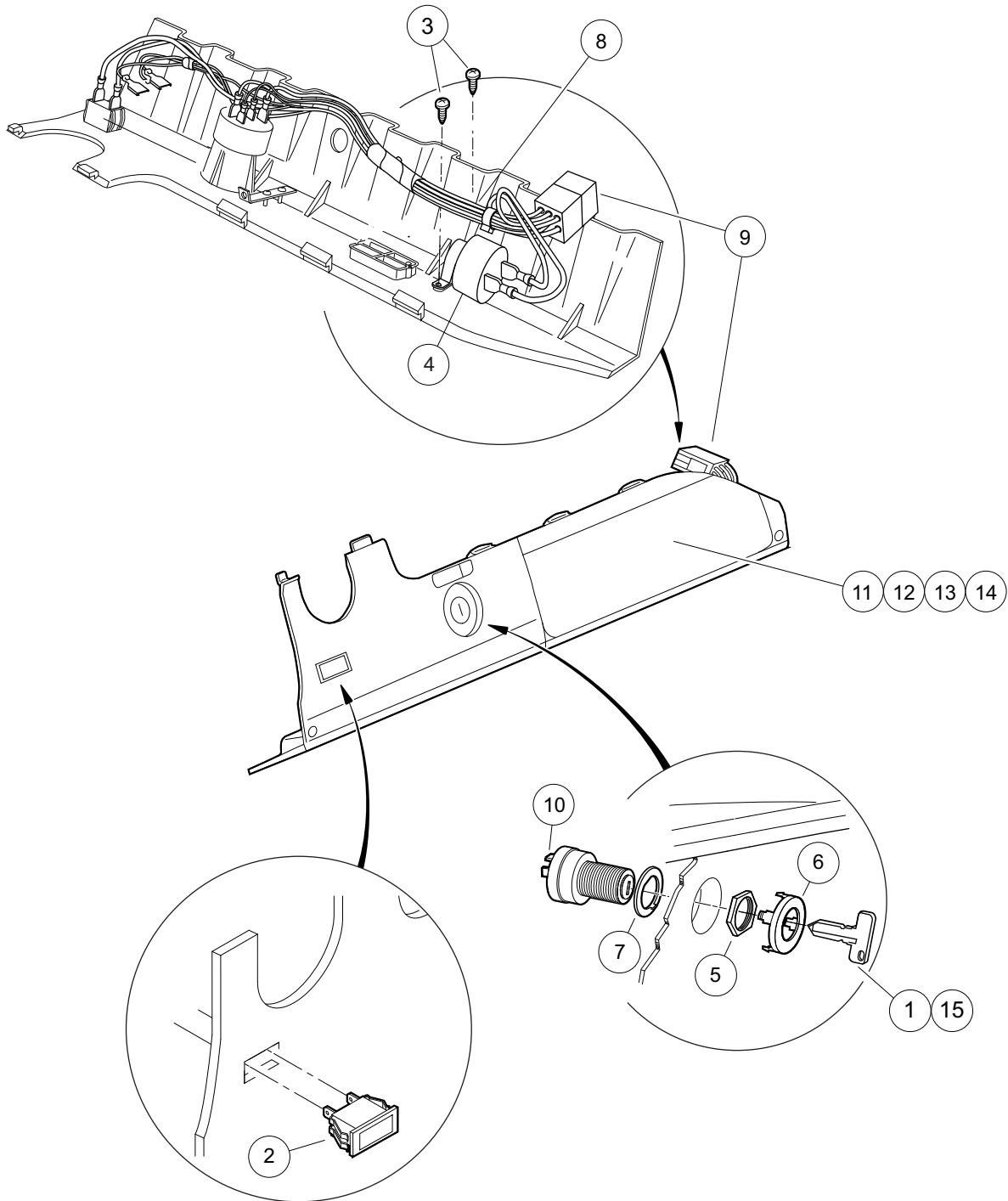
E

ELECTRICAL SYSTEM – GASOLINE VEHICLE

6

G

6
G



000490-003

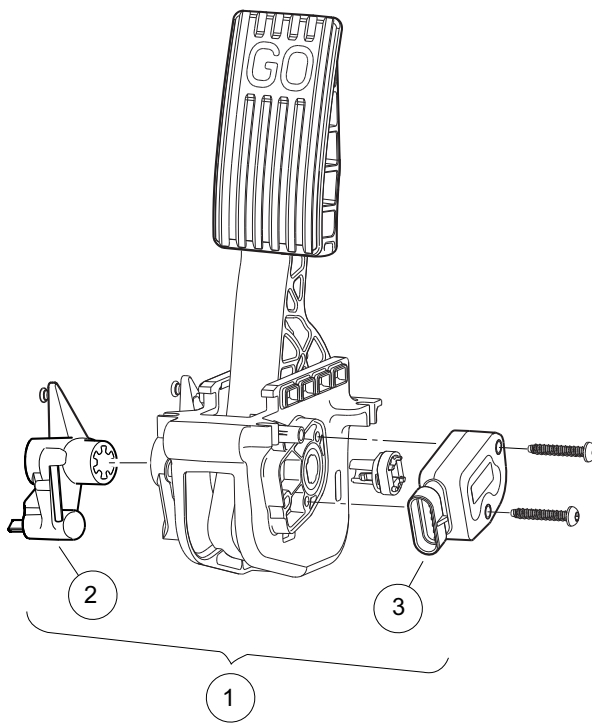
ELECTRICAL COMPONENTS, FRONT BODY – GASOLINE VEHICLE

ITEM	PART NO.	DESCRIPTION	QTY
		1 2 3 4	
1	1012505	Keys (set of 2)	1
2	1016630	Light, Oil	1
3	1016849	Screw, #4-24 X 0.33 Pan-Head Machine	2
4	1016851	Buzzer, Reverse (9-48 VDC)	1
5	101830701	Nut, Key Switch	1
6	101834502	Cap, Black Key Switch	1
7	101851101	Washer, Key Switch	1
8	102515001	Ip Control Harness, Gas (includes item 9)	1
9	N/A	Connector, Plug 9-pin	1
10	102515101	Key Switch, Gas, Prec	1
11	102522901	Instrument Panel (standard)	1
12	102536601	Instrument Panel (with Hole for Headlight Switch)	1
13	102536602	Instrument Panel (with Hole for Fuel Gauge)	1
14	102536604	Instrument Panel (with Hole for Headlight Switch and Fuel Gauge)	1
15	AM10079	Bulk Std Keys (50) *	1
		 * Note: Must order in multiples of 50.	

6
G

6

G

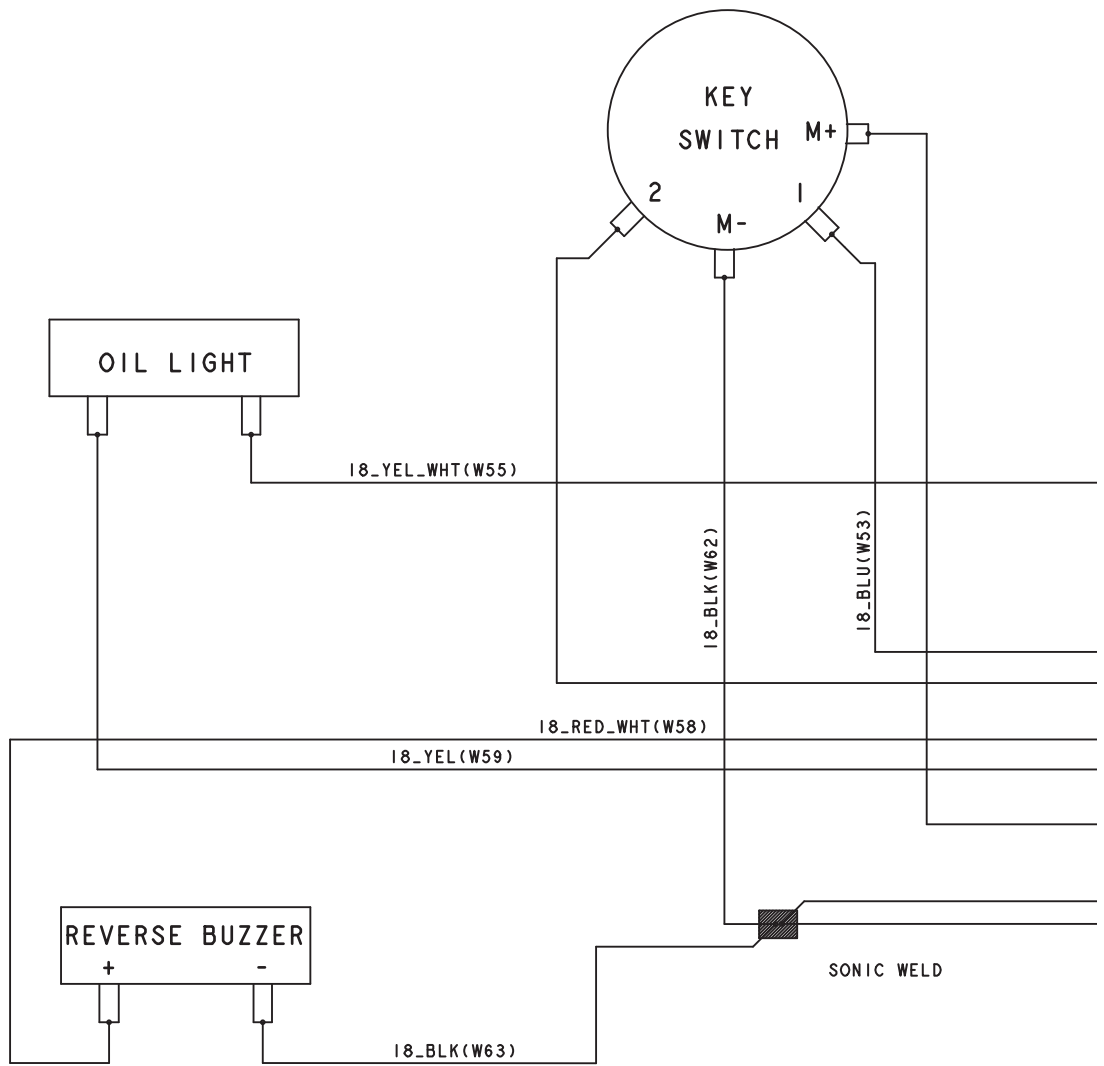


000487-012

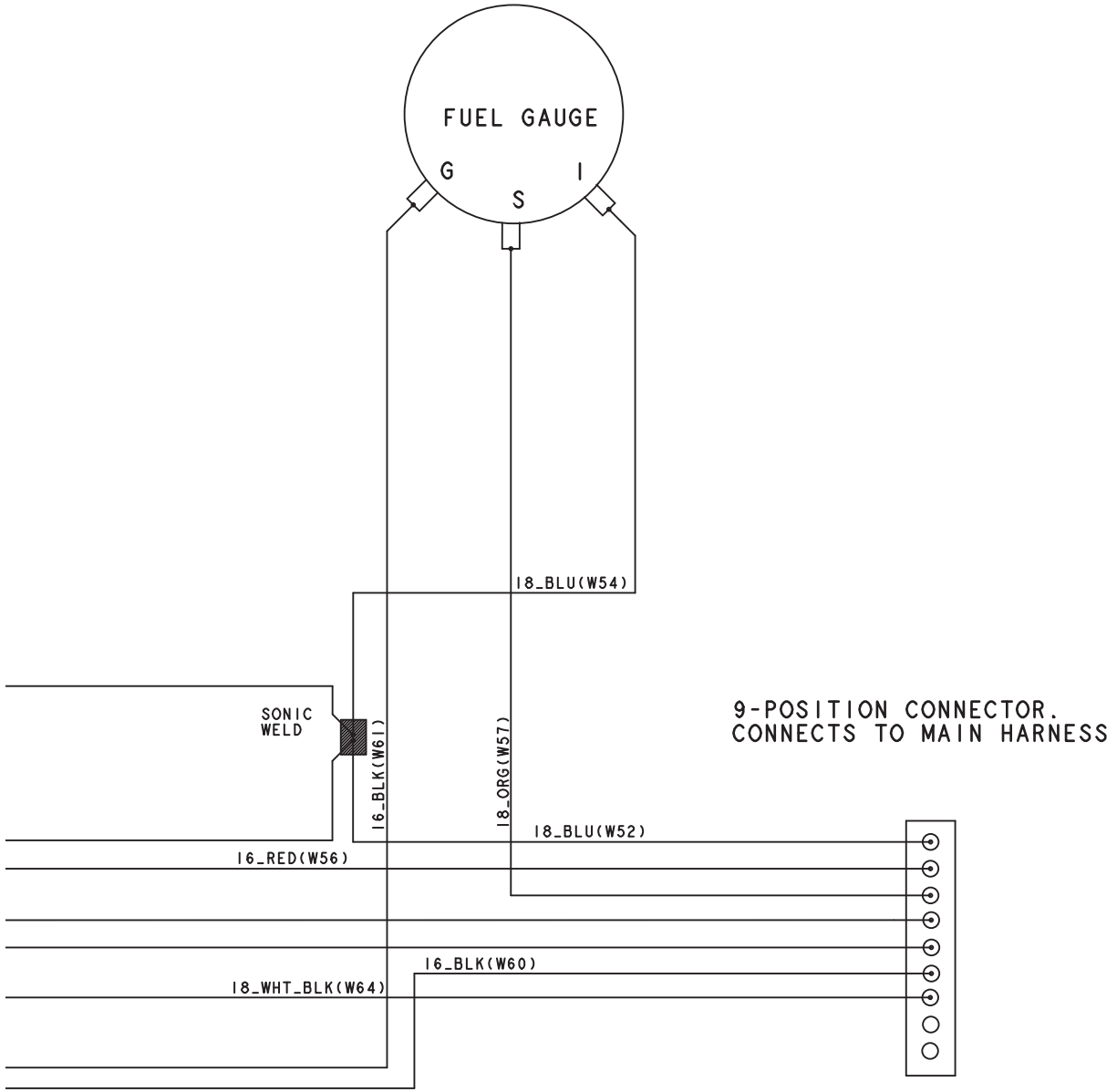
ACCELERATOR PEDAL ASSEMBLY W/SENSOR FOR GENERATION 2 PEDAL GROUP

ITEM	PART NO.	DESCRIPTION	QTY
		1 2 3 4	
1	102595502	Accelerator Pedal,(throttle) Gas (includes items 2 and 3)	1
2	103777601	Asm, G2, Anod Park Brake Release	1
3	N/A	Throttle Sensor	1
<p>Note: For a complete Pedal Group, see section 4, Brakes and Pedal Group Assemblies. Note2: The anodized park brake release assembly, 103777601, incorporated during mid-model year 2010 beginning with vehicle serial number 1033-118753 and replaced park brake release assembly 103760701.</p>			

6
G



000489-001



000489-001

6

G

See previous two pages for illustration.

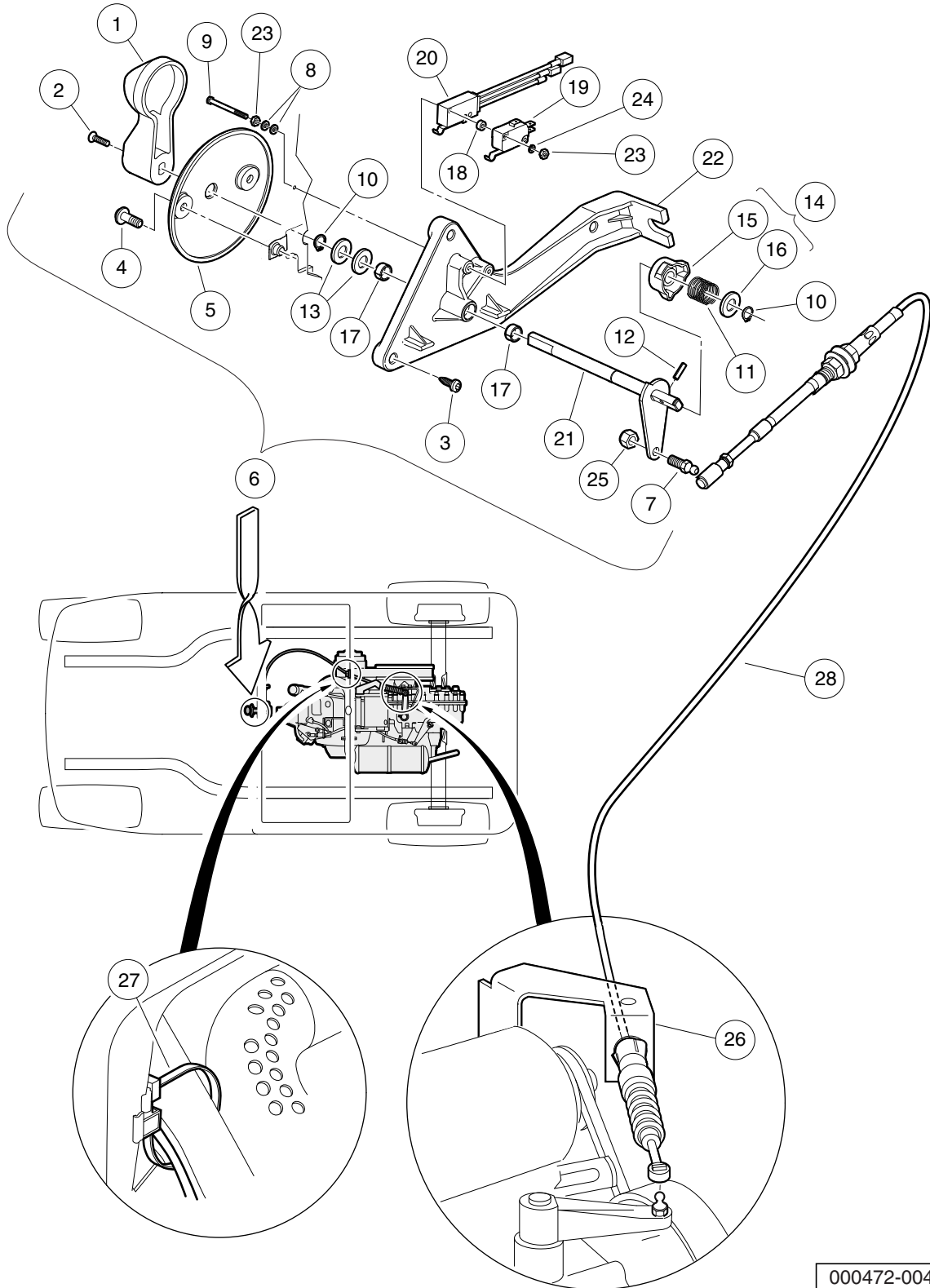
INSTRUMENT PANEL WIRE HARNESS

ITEM	PART NO.	DESCRIPTION	QTY
1	102515001	1 2 3 4 Ip Control Harness, Gas (includes item 2)	1
2	N/A	Connector, Plug 9-pin	1

6

G

6
G

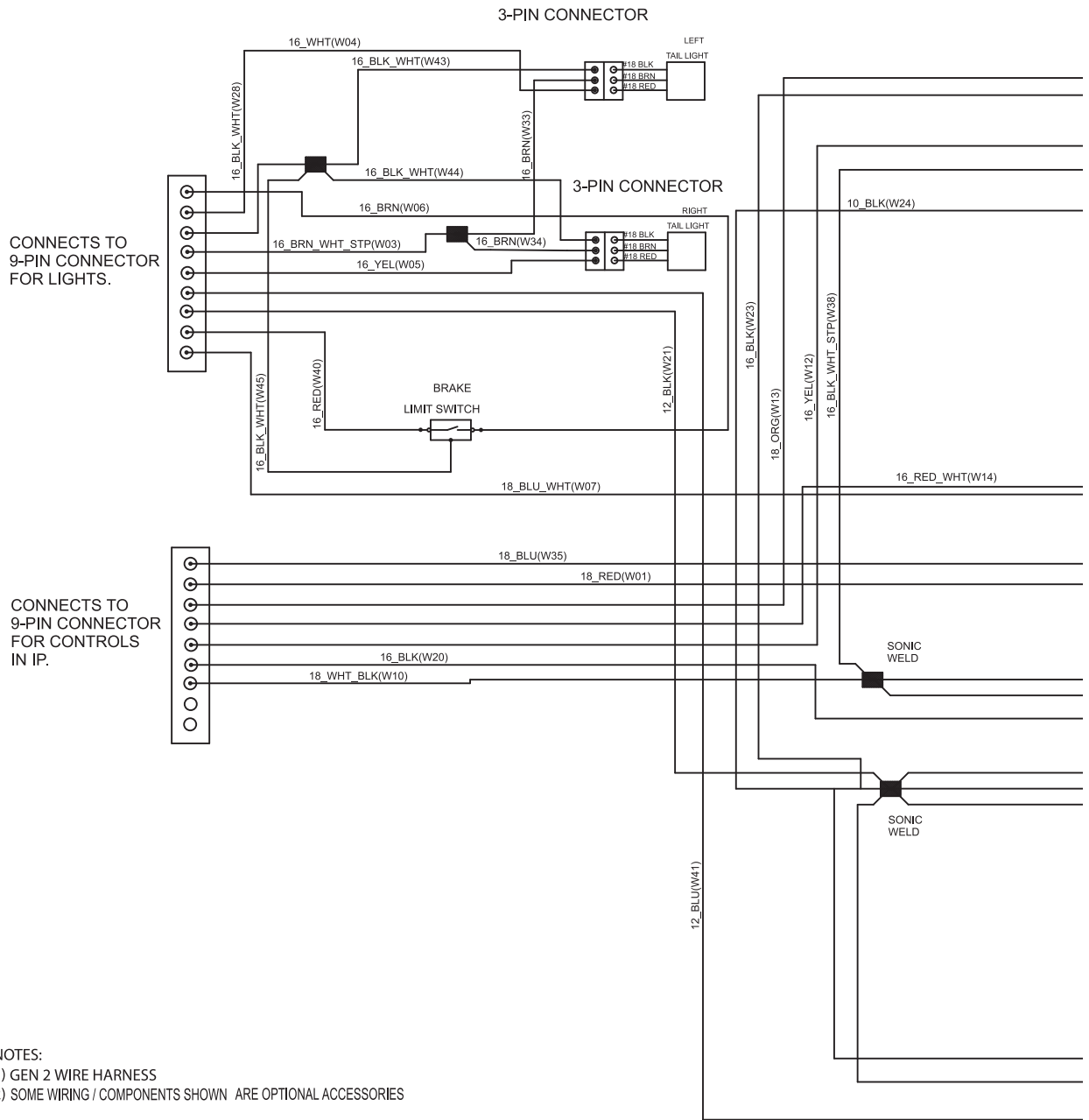


000472-004

FORWARD/REVERSE SHIFTER ASSEMBLY – GASOLINE VEHICLE

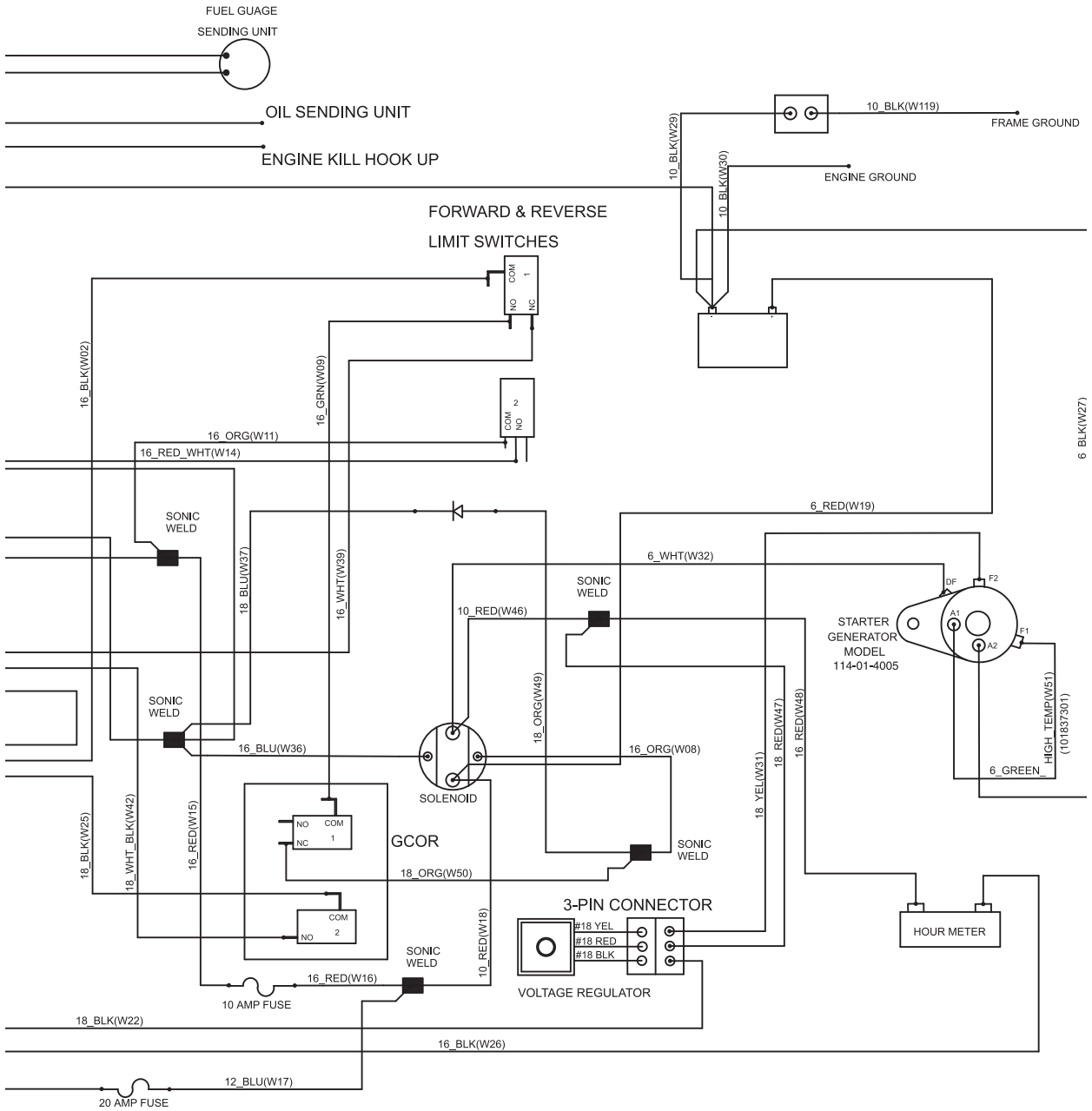
ITEM	PART NO.	DESCRIPTION	QTY
		1 2 3 4	
1	1012987	Handle, FNR	1
2	1015064	Screw, #8-32 X 0.63 Machine	1
3	102296040	Screw, Torx Pan Hd Pt, M6 X 40	3
4	102296920	Screw, M6 Torx Bttn Hd Sems	2
5	102512001	Bezel, FNR Gas	1
6	102514602	Assembly Gas Fnr Shifter Svc (includes items 7 through 25)	1
7	1010954	Stud, 1/4-28 X 0.560 Ball	1
8	1012431	Washer, #4 Flat	4
9	1012594	Screw, #4-40 Machine	2
10	1013589	Ring, 0.338" Internal Retaining	2
11	1013590	Spring, FNR Cam	1
12	1013591	Pin, 1/8 X 1/2 Roll	1
13	1014065	Washer, 0.38" ID Delrin Flat	2
14	1014089	Neutral Lockout Cam Kit (includes items 15 and 16)	1
15	N/A	Cam, Neutral Lockout	1
16	1014065	Washer, 0.38" ID Delrin Flat	1
17	1014145	Bushing, Secondary Weight, Split	2
18	1014727	Washer, #4 Nylon Flat	2
19	1014807	Switch, Limit	1
20	101979101	Assembly, Switch, Limit	1
21	102515301	Weldment, F-n-r Gas	1
22	102515601	Base, Gas FNR Shifter	1
23	8057	Nut, #4-40 Hex Machine	4
24	8058	Lockwasher, #4 Split	2
25	8717	Locknut, 1/4-28 Nylon Insert	1
26	102515501	Bracket-trans Cable Support	1
27	102554901	Clip,edge,trans Shift Cable	1
28	103379601	Cable, Transmission, Prec	1

6
G



- NOTES:
 1) GEN 2 WIRE HARNESS
 2) SOME WIRING / COMPONENTS SHOWN ARE OPTIONAL ACCESSORIES

000481-003



000481-003

6

G

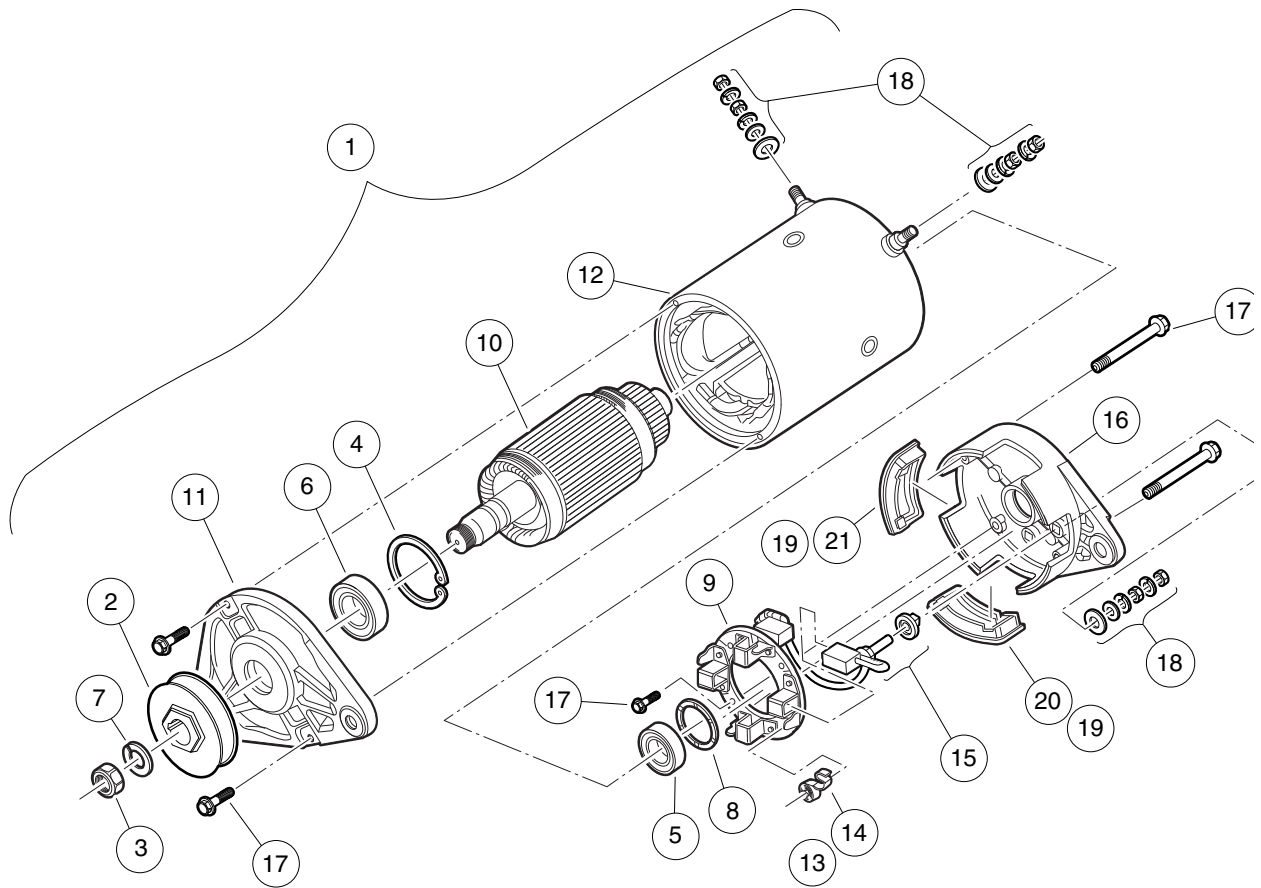
See previous two pages for illustration.

WIRING (WITH GENERATION 2 PEDAL GROUP) – GASOLINE VEHICLE

ITEM	PART NO.	DESCRIPTION	QTY
1	103536501	<div style="display: flex; justify-content: space-between; margin-bottom: 5px;"> 1 2 3 4 </div> Harness, Prec Gas, Main (For Generation 2 Pedal Group) (includes item 2)	1
2	N/A	Conn, 6 Pos, Packard 12162210	1

6

G



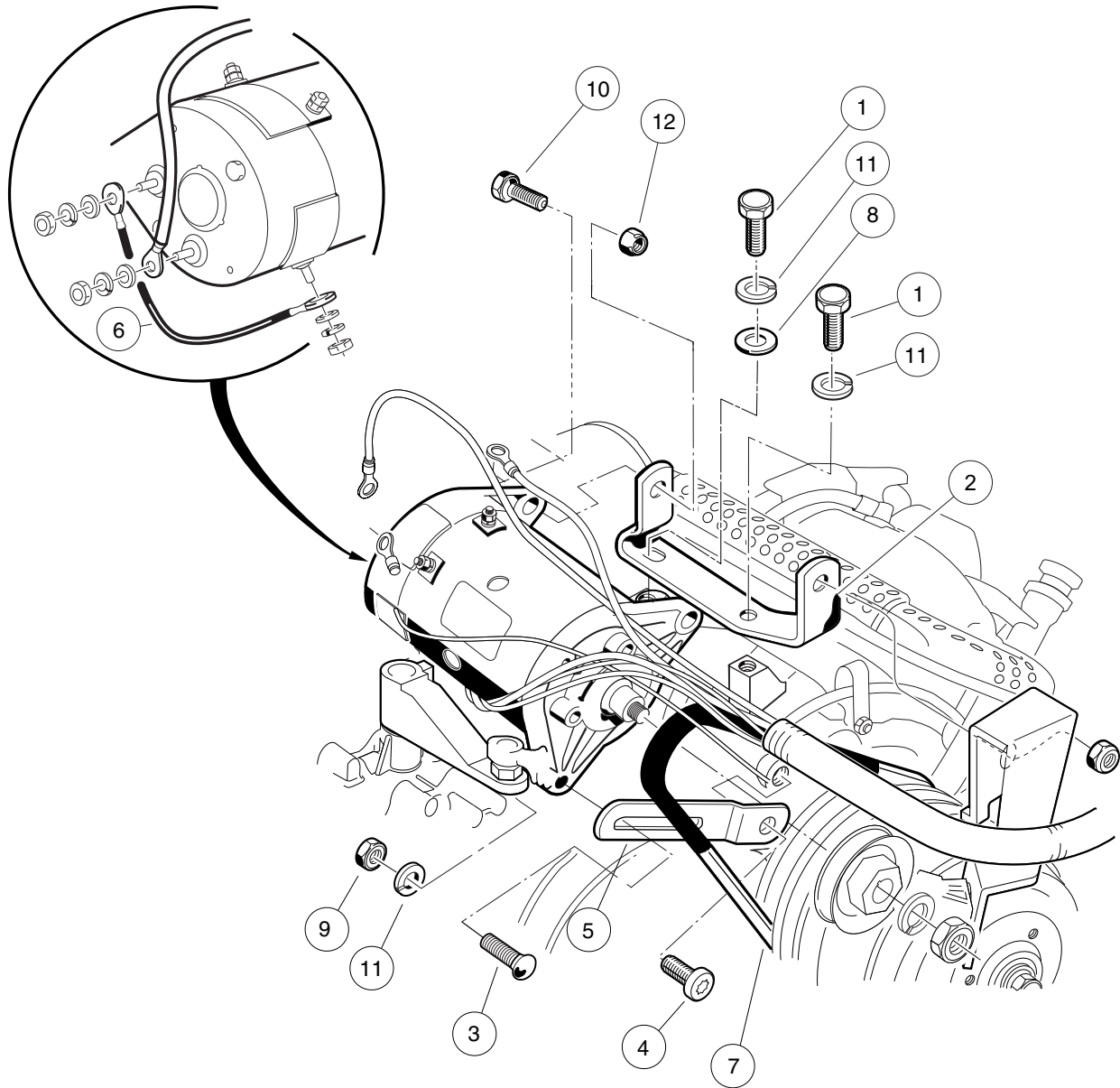
000124-002

STARTER/GENERATOR (S/G) ASSEMBLY MODEL 114-01-4005 - GASOLINE VEHICLES

ITEM	PART NO.	DESCRIPTION	QTY
		1 2 3 4	
1	102628201	Starter/Generator Bi-Rotational (includes items 2 through 19)	1
2	102711001	Pulley, V-Belt	1
3	102838701	Nut, Hex, M14x2, S/G	1
4	102838801	Retainer, Front, S/G	1
5	102838901	Bearing, Ball, Front, S-g	1
6	102839001	Bearing, Ball, Front, S-g	1
7	102839301	Washer, Lock M14x2, S-g	1
8	102841101	Washer, Wave, S-g	1
9	102844401	Assembly, Brush Plate, Starter/Generator	1
10	102844501	Asm, Armature, Starter/Generator	1
11	102844601	Head, Drive End, S-g	1
12	102844701	Asm, Frame and Field, Starter/Generator	1
13	103347101	Kit, Spring Brush, Starter/Generator (includes item 14)	1
14	N/A	Spring, Brush, S-g	4
15	103347301	Set, Brush Term, S-g	1
16	103347601	Head, Comm End, S-g	1
17	103347701	Set, Fastener, Ceh Deh, S-g	1
18	103347801	Set, Term Hardware, S/G	1
19	103347901	Kit, Cover, Brush Insp, Starter/Generator (includes items 20 and 21)	1
20	N/A	Plug, Rubber Drain, Start/Generator	3
21	N/A	Cover, Inspection, S-g	1
<p>Note: Item 2 will ONLY fit Model 114-01-4005 Starter/Generator.</p>			

6

G



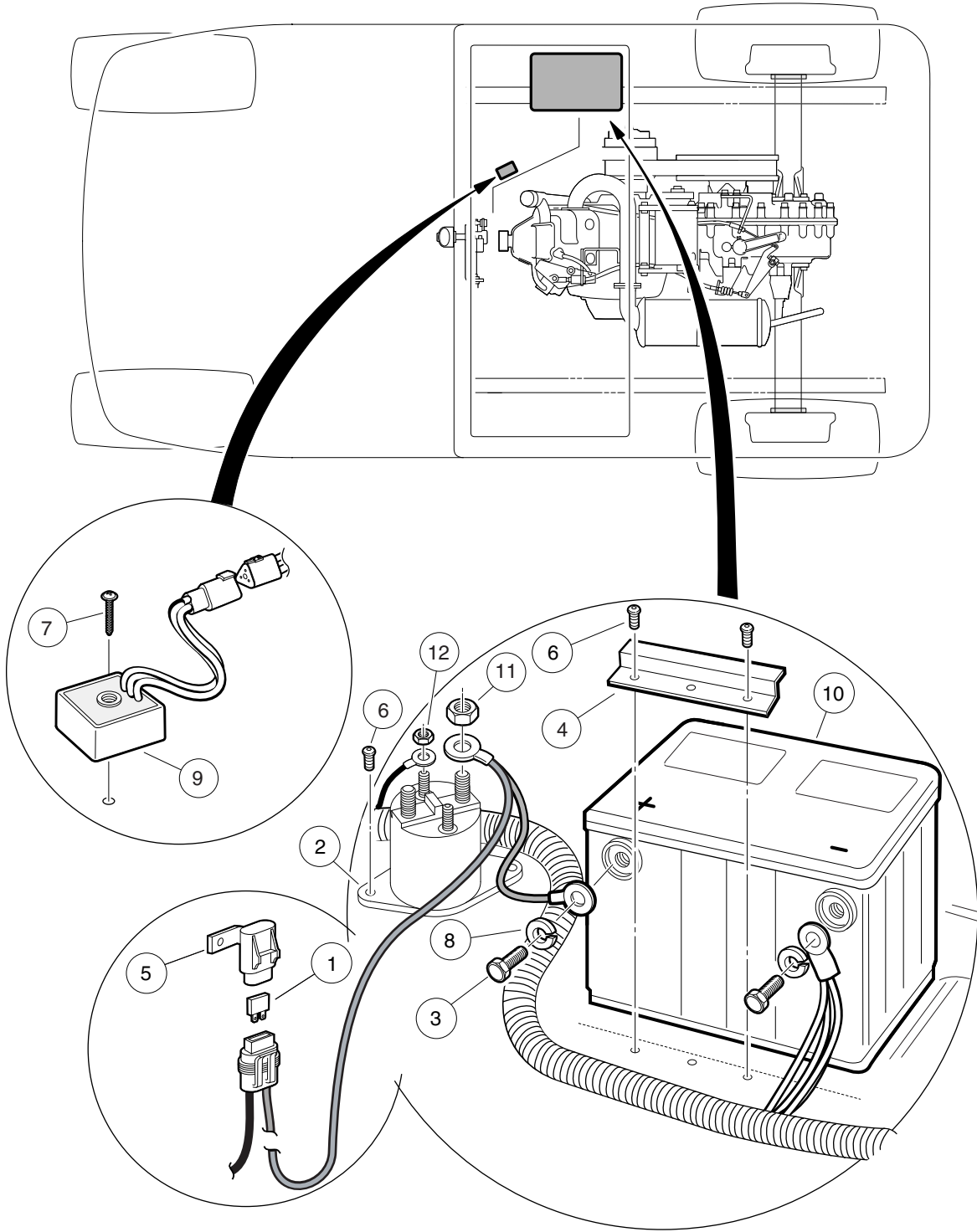
000238-004

STARTER/GENERATOR MOUNTING – FE350

ITEM	PART NO.	DESCRIPTION	QTY
		1 2 3 4	
1	1012830	Screw, M8-125 X 22 Hex-Head	2
2	101524002	Bracket, Starter/Generator Mounting	1
3	1015932	Bolt, Carriage, 5/16-18	1
4	1016074	Screw, M8-1.25 X 18mm Torx	1
5	1016883	Bracket, Starter/Generator Adjustment	1
6	101837301	Wire Assy, #6 Green	1
7	101916701	V-Belt	1
8	1241	Washer, 5/16 Type A Flat	1
9	1242	Nut, 5/16-18 Hex	1
10	1624	Screw, 3/8-16 X 1.50 Hex-Head Cap	2
11	7174	Lockwasher, 5/16 Split	3
12	8754	Locknut, 3/8-16 Hex	2

6
G

6
G



000479-003

BATTERY – GASOLINE VEHICLE

ITEM	PART NO.	DESCRIPTION	QTY
		1 2 3 4	
1	1012295	Fuse, 10-Amp	1
2	1013609	Solenoid, 12-Volt	1
3	1014375	Screw, 3/8-16 X 0.50 Stainless Steel Hex-Head	2
4	101898001	Clamp, Battery	1
5	N/A	Cover, Fuse, Sealed, Metri	1
6	102296020	Screw, Torx Pan Hd Pt, M6 X 20	4
7	102296040	Screw, Torx Pan Hd Pt, M6 X 40	1
8	102355301	Lockwasher, #10 Split Ss	2
9	102803301	Asm, Voltage Regulator, Prec.	1
10	103496801	Battery, Start, 12v	1
11	1242	Nut, 5/16-18 Hex	2
12	7893	Nut, #10-32 Hex	2

6
G

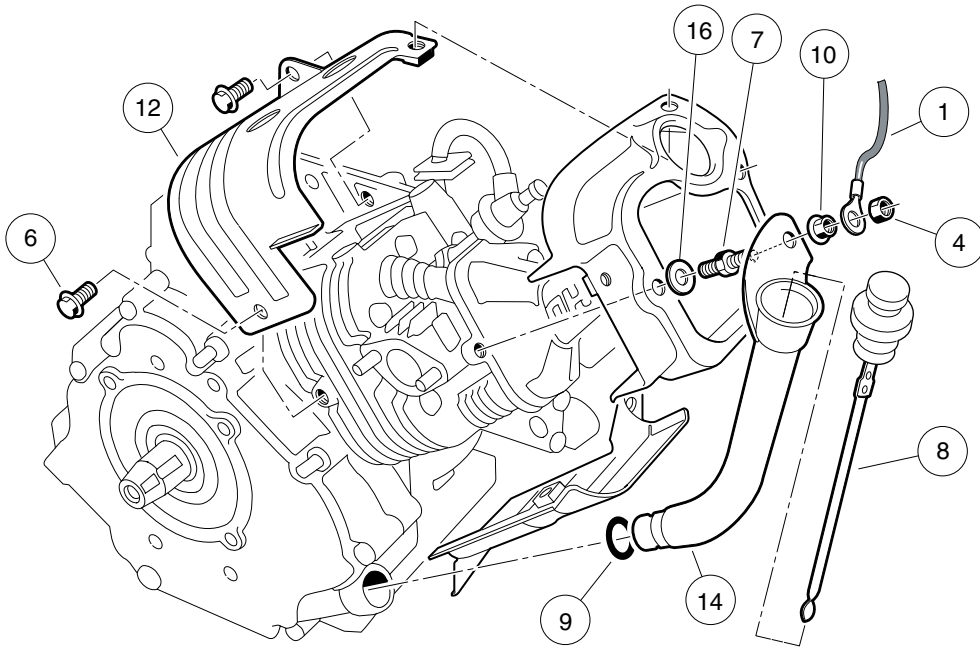
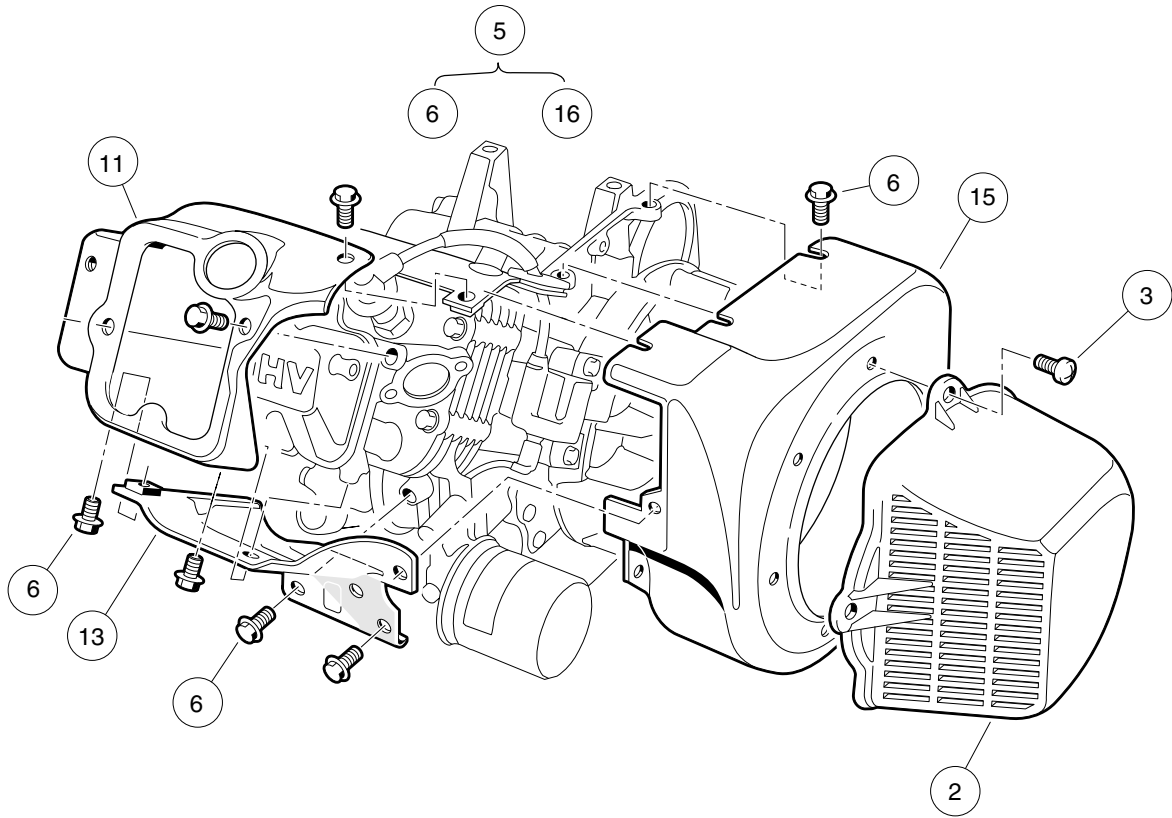
6

G

FE350 ENGINE (AS26)

7

G

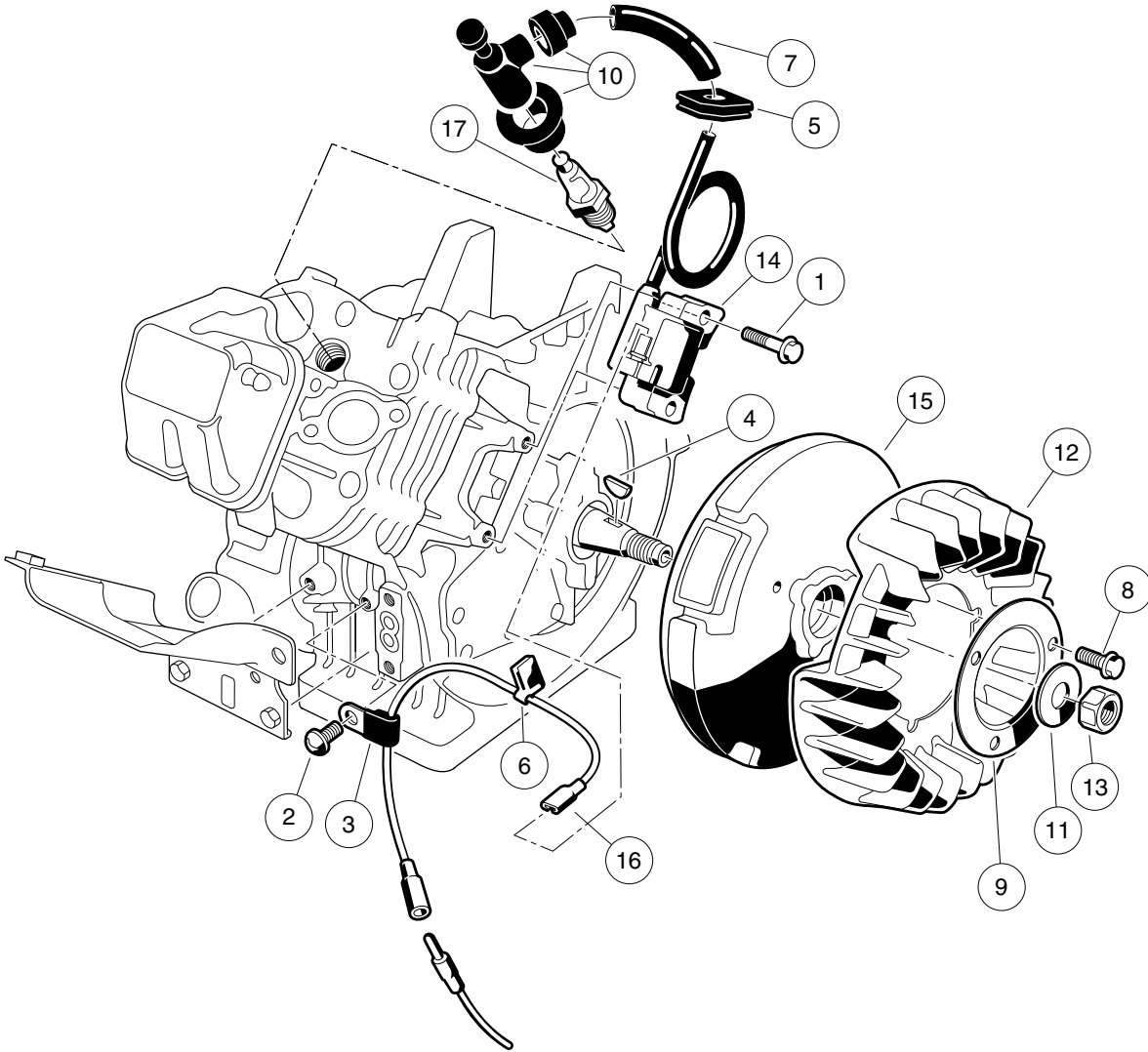


000201-002

FE350 ENGINE (AS26) – SHROUDS AND BRACKETS

ITEM	PART NO.	DESCRIPTION	QTY
		1 2 3 4	
1	1015332	Wire Assembly, #10, Uninsulated	1
2	1015649	Shroud, Fan	1
3	1015969	Screw, M6-1.00 X 10mm Pan Hd	4
4	101887601	Locknut, M6-1.00 Nylon Insert	1
5	103386201	Engine, FE350 S26 (includes items 6 through 16)	1
6	1016456	Bolt, Flange Head, M6 x 1 x 12 mm	16
7	1016507	Bolt, Two-Ended	1
8	1016531	Dipstick	1
9	1016539	O-Ring	1
10	1016547	Nut, M6 Flange	1
11	1017474	Shroud, Engine	1
12	1017475	Shroud, Engine	1
13	1017476	Shroud, Engine	1
14	1017486	Tube, Oil Filler	1
15	101916101	Housing, FE350 Fan	1
16	N/A	Washer, 6mm Flat	2

7
G

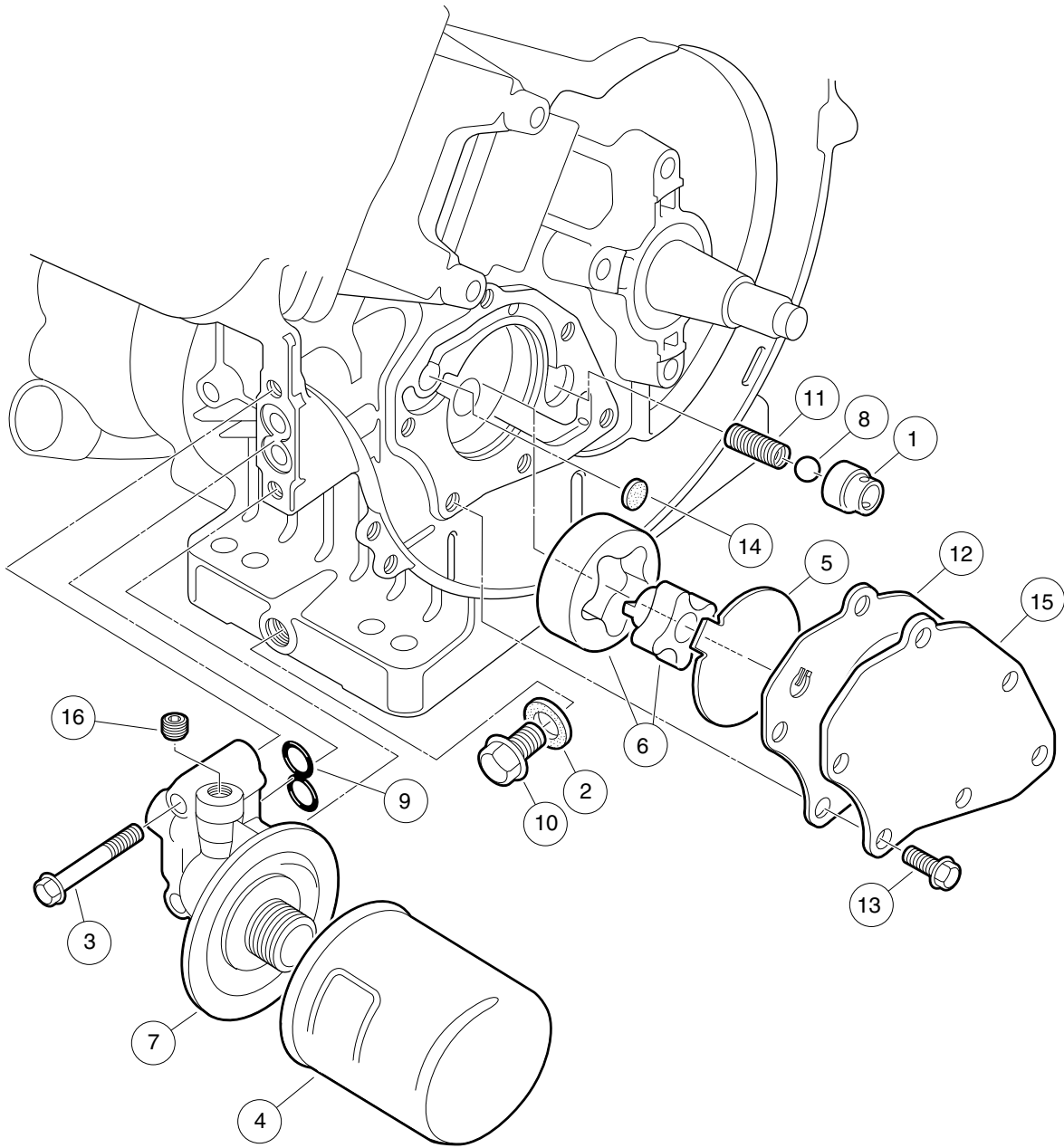


000202-004

FE350 ENGINE (AS26)- IGNITION COMPONENTS AND FLYWHEEL

ITEM	PART NO.	DESCRIPTION	QTY
		1 2 3 4	
1	1016455	Bolt, Flange Head	2
2	1016544	Screw	1
3	1016561	Clamp	1
4	1016562	Key	1
5	1016578	Grommet, Ignition	1
6	1016587	Clamp	1
7	1016588	Tube, 7mm X 10mm X 70mm	1
8	1017448	Bolt, Flanged	3
9	1017455	Plate, Flywheel Fan	1
10	1017463	Cap Asm, Plug	1
11	1017490	Washer, Flat	1
12	101916301	Fan (cw)	1
13	102838401	Nut, Hex, 18 mm Fine	1
14	103616501	Coil Asm, Ignition	1
15	103616601	Flywheel, Complete	1
16	103616701	Wire Lead, Ignition	1
17	AM1232301	Spark Plug, BPR2ES	1

7
G

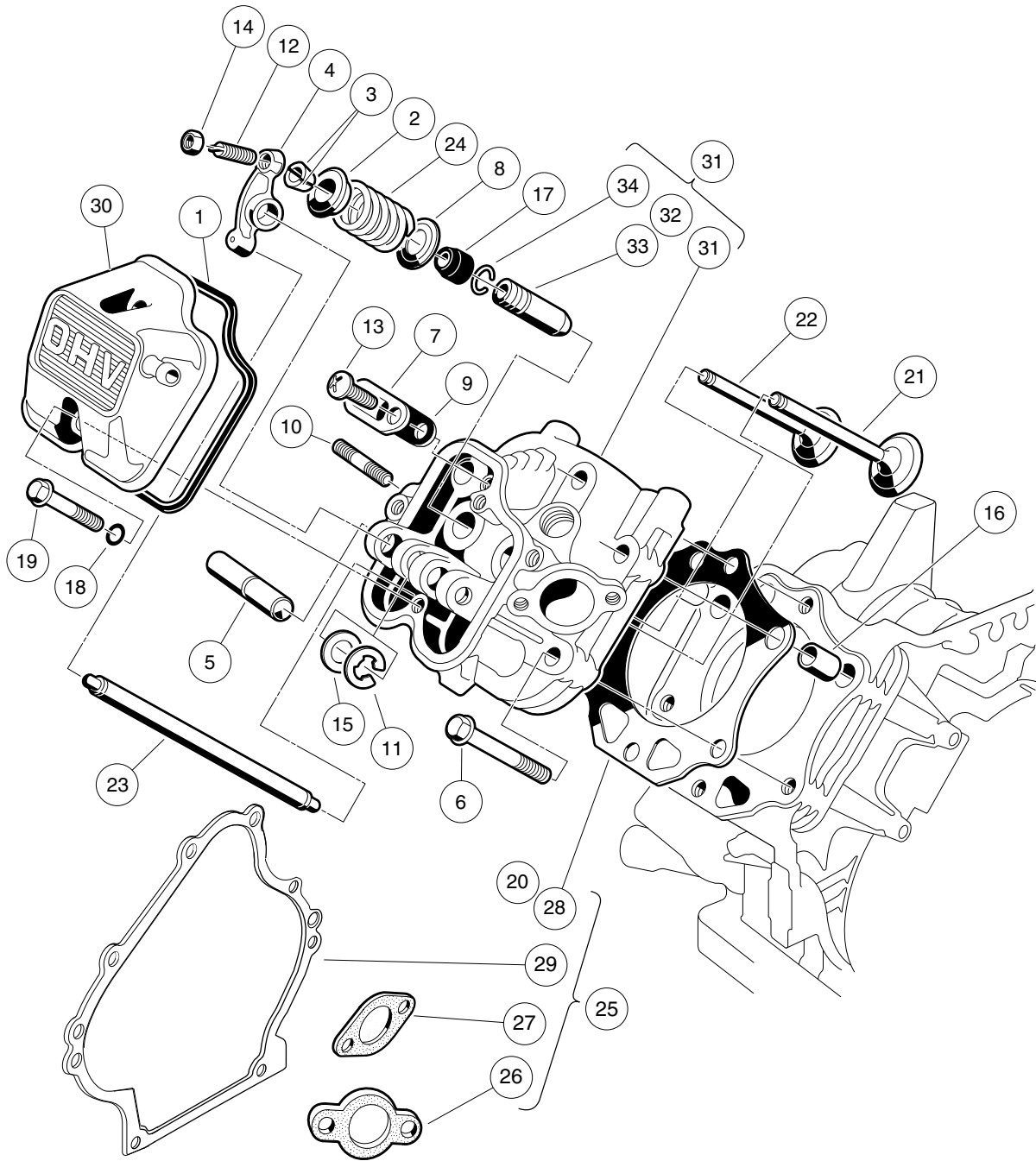


000203-001

FE350 ENGINE (AS26)- OIL CIRCULATION

ITEM	PART NO.	DESCRIPTION	QTY
		1 2 3 4	
1	1016429	Seat, Value Oil Press Relief	1
2	1016432	Gasket, Drain Plug	1
3	1016457	Bolt, Flange Head	2
4	1016467	Filter, Oil	1
5	1016473	Plate, Oil Pump	1
6	101648203	Oil Pump And Rotor	1
7	1016502	Bracket, Oil Filter Mount	1
8	1016537	Ball, Steel, Press, Relief	1
9	1016570	O-Ring	1
10	1016576	Plug, Drain	1
11	1016581	Spring	1
12	1017442	Gasket	1
13	1017456	Bolt, Flanged	6
14	1017458	Filter	1
15	1017460	Cover, Pump	1
16	1017507	Plug	2

7
G

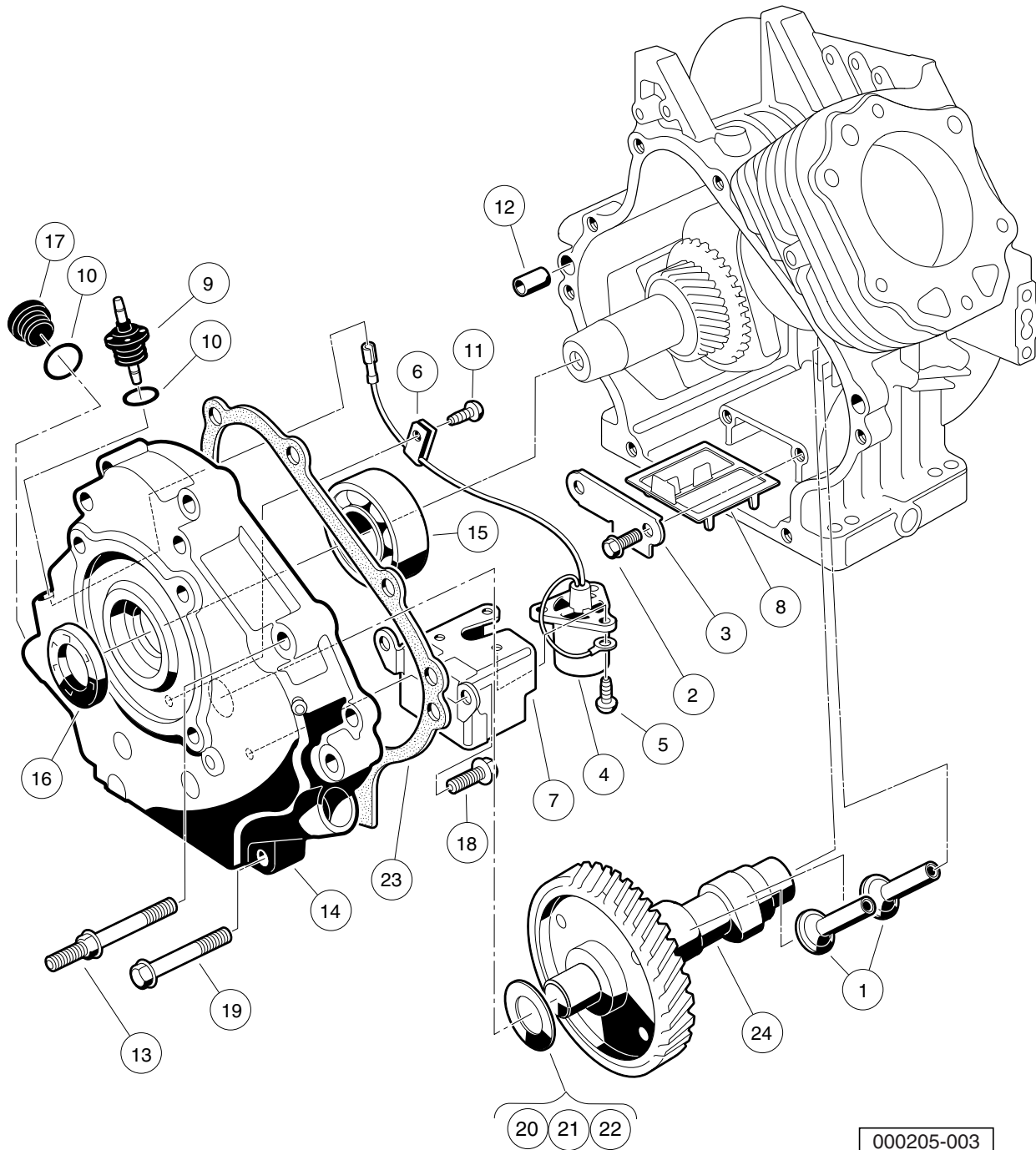


000204-004

FE350 ENGINE (AS26)- CYLINDER HEAD

ITEM	PART NO.	DESCRIPTION	QTY
		1 2 3 4	
1	1016436	Gasket, Rocker Case	1
2	1016449	Retainer, Valve Spring	2
3	1016450	Collet	4
4	1016451	Arm, Rocker	2
5	1016452	Shaft, Rocker	1
6	1016458	Bolt, Flange Head, M8 x 1.25 x 45 mm	6
7	1016474	Plate	1
8	1016479	Seat, Spring	2
9	1016483	Valve	1
10	1016489	Stud, Two-Ended, M8-1.25	2
11	1016517	Circlip, Type-E	1
12	1016542	Screw	2
13	1016544	Screw	1
14	1016545	Nut	2
15	1016549	Washer, 12.1x19x1.8	1
16	1016563	Pin	2
17	1016566	Seal, Oil	2
18	1016569	O-Ring	2
19	1016583	Bolt, 6x35	2
20	1017434	Gasket, Head	1
21	1017444	Valve, Intake	1
22	1017445	Valve, Exhaust	1
23	1017454	Rod, Push	2
24	1017473	Spring, Engine Valve	2
25	102304801	Kit, Gasket, FE350 (includes items 26 through 29)	1
26	1016440	Gasket, Engine to Insulator	1
27	1016904	Gasket, Exhaust	1
28	1017434	Gasket, Head	1
29	1017443	Gasket, Crankcase Cover	1
30	102753401	Case, Rocker, Fe	1
31	103615601	Cylinder Head (includes items 32 through 34)	1
32	1016518	Guide, Valve, Exhaust	1
33	1016519	Guide, Valve	1
34	1016560	Snap Ring	2
		Note: Item 25 is not a component of the FE350 engine.	

7
G

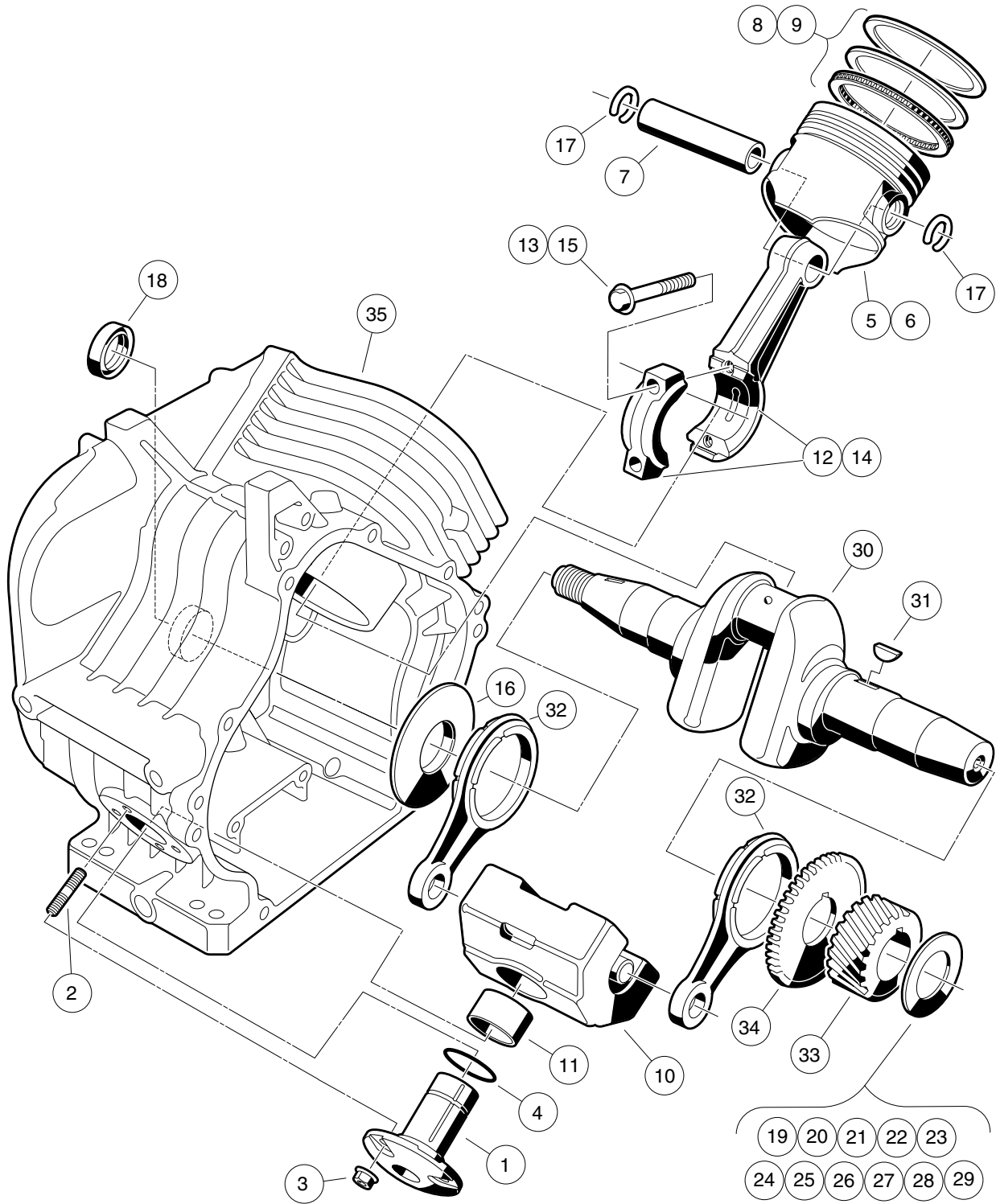


FE350 ENGINE (AS26)- CRANKCASE, CAMSHAFT, AND OIL SENSOR

ITEM	PART NO.	DESCRIPTION	QTY
		1 2 3 4	
1	1016453	Tapet	2
2	1016454	Bolt, Flange Head, M5 x 0.8 x 8 mm	2
3	1016472	Plate, Oil Filter Screen	1
4	1016494	Sensor, Oil Level	1
5	1016496	Screw, Cross Pan-Head, M4 x 0.7 x 8 mm	3
6	1016506	Clamp	1
7	1016510	Bracket, Switch, Oil Level	1
8	1016521	Screen, Oil Filter	1
9	1016535	Connector, Cord	1
10	1016538	O-Ring	2
11	1016544	Screw	1
12	1016564	Pin	2
13	1016584	Bolt, Two-Ended, M8 x 1.25 x 69 mm	2
14	1017472	Cover Crankcase	1
15	1017487	Bearing, Ball	1
16	1017504	Seal, Oil	1
17	1017508	Plug	1
18	1017513	Bolt Switch Bracket	2
19	1017514	Screw, M8-1.25 X 45mm Hex	6
20	101751801	Shim, 0.3	1
21	101751802	Shim, 0.4	1
22	101751803	Shim, 0.5	1
23	103615901	Gasket, Crankcase Cover	1
24	103616401	Camshaft, Complete	1

7

G



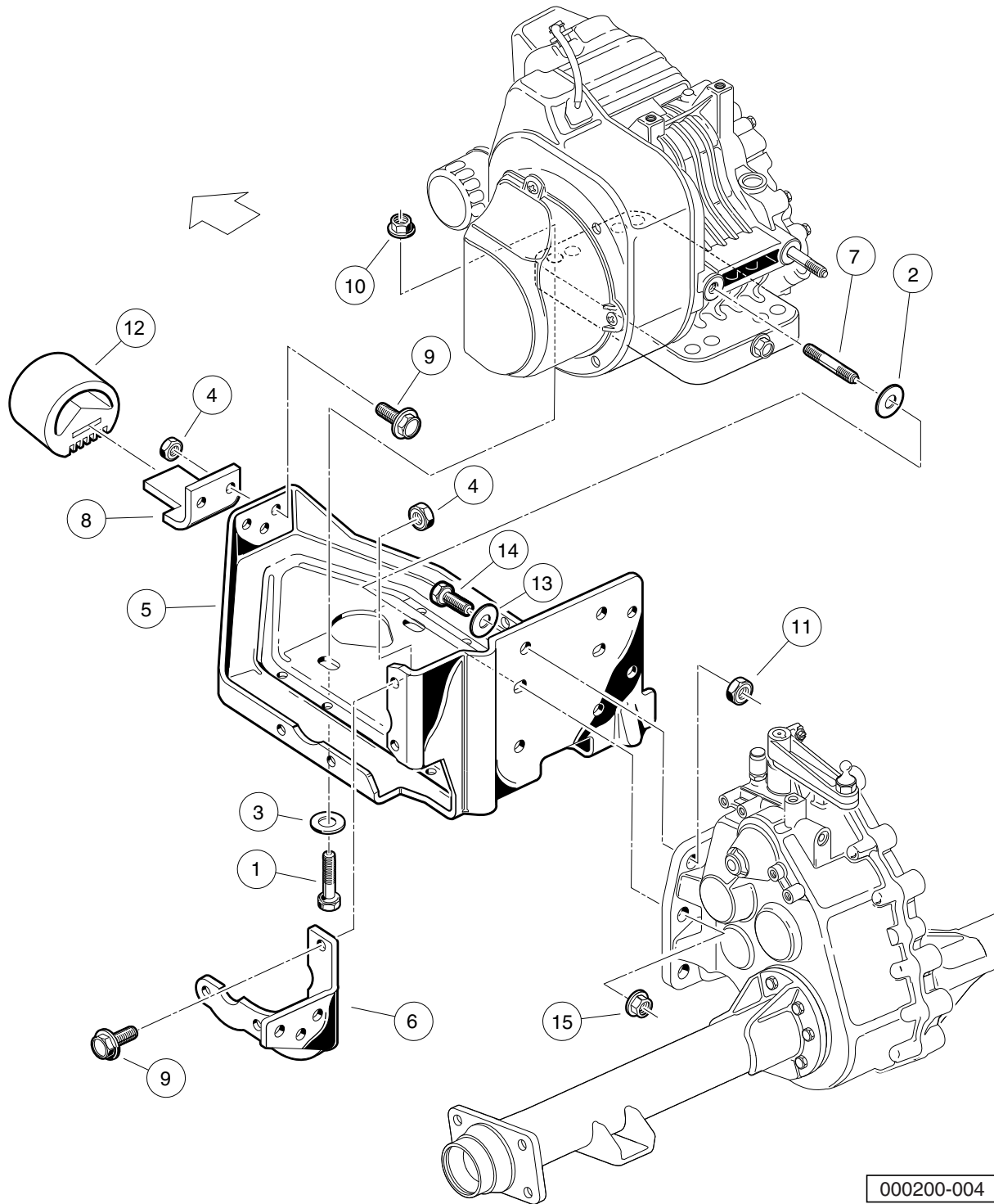
000206-003

FE350 ENGINE (AS26)- CRANKCASE AND CRANKSHAFT

ITEM	PART NO.	DESCRIPTION	QTY
		1 2 3 4	
1	1016470	Shaft, Guide, Counterbalance	1
2	1016541	Stud, 6x14	4
3	1016547	Nut, Flanged, M6 X 1.00	4
4	1016571	O-Ring	1
5	101744901	Piston, Standard	1
6	101744902	Piston, 0.50 mm Oversize	1
7	1017450	Pin, Piston	1
8	101745101	Ring Set, Standard Piston	1
9	101745102	Ring Set, Piston, 0.50 mm Oversize	1
10	1017453	Counterbalance Weight (includes item 11)	1
11	1017510	Bearing, Plain	1
12	101745701	Asm, Con. Rod Std (includes item 13)	1
13	1017512	Bolt	2
14	101745702	Asm, Con. Rod 0.5mm U/s (includes item 15)	1
15	1017512	Bolt	2
16	1017501	Spacer	1
17	1017502	Snap Ring	2
18	1017503	Seal, Oil	1
19	101773301	Shim, Crankshaft, 1.18mm	1
20	101773302	Shim, Crankshaft, 1.25mm	1
21	101773303	Shim, Crankshaft, 1.32mm	1
22	101773304	Shim, Crankshaft, 1.39mm	1
23	101773305	Shim, Crankshaft, 1.46mm	1
24	101773306	Shim, Crankshaft, 1.53mm	1
25	101773307	Shim, Crankshaft, 1.60mm	1
26	101773308	Shim, Crankshaft, 1.67mm	1
27	101773309	Shim, Crankshaft, 1.74mm	1
28	101773310	Shim, Crankshaft, 1.11 mm	1
29	101773311	Shim, Crankshaft, 1.81mm	1
30	102430901	Crankshaft, FE350 Left-Hand, 22-Tooth (includes items 31 through 34)	1
31	1016562	Key	1
32	1017471	Rod	2
33	N/A	Gear, Helical	1
34	N/A	Gear, Spur	1
35	103615801	Crankcase, FE350	1

7

G



000200-004

FE350 ENGINE (AS26)- MOUNTING

ITEM	PART NO.	DESCRIPTION	QTY
		1 2 3 4	
1	1010577	Bolt, Hex-Head, 5/16-18 X 1.50	4
2	1011697	Washer, 5/16 Flat	2
3	1012571	Washer, 5/16 Extra Thick Flat	4
4	1013924	Nut, 5/16-24 Hex Head Cone	6
5	101827101	Plate, Engine Mounting	1
6	101832701	Stiffener (Flywheel Side)	1
7	101833101	Stud, M8-1.25 X 50 mm Two-Ended	2
8	101834601	Snubber Bracket	1
9	101884801	Screw, 5/16-24 X 0.875 Grade-8	6
10	101963401	Locknut, 5/16-18 Hex Flange	4
11	102065901	Locknut, 3/8-16 Flanged Dimple	4
12	102540301	Inner Frame Snubber	1
13	334	Washer, 3/8 Type A Flat	4
14	705	Screw, Cap-hex Hd 3/8-16x1.25	4
15	96704416	Nut Flg, M8 X 1.25 Serrated	2

7

G

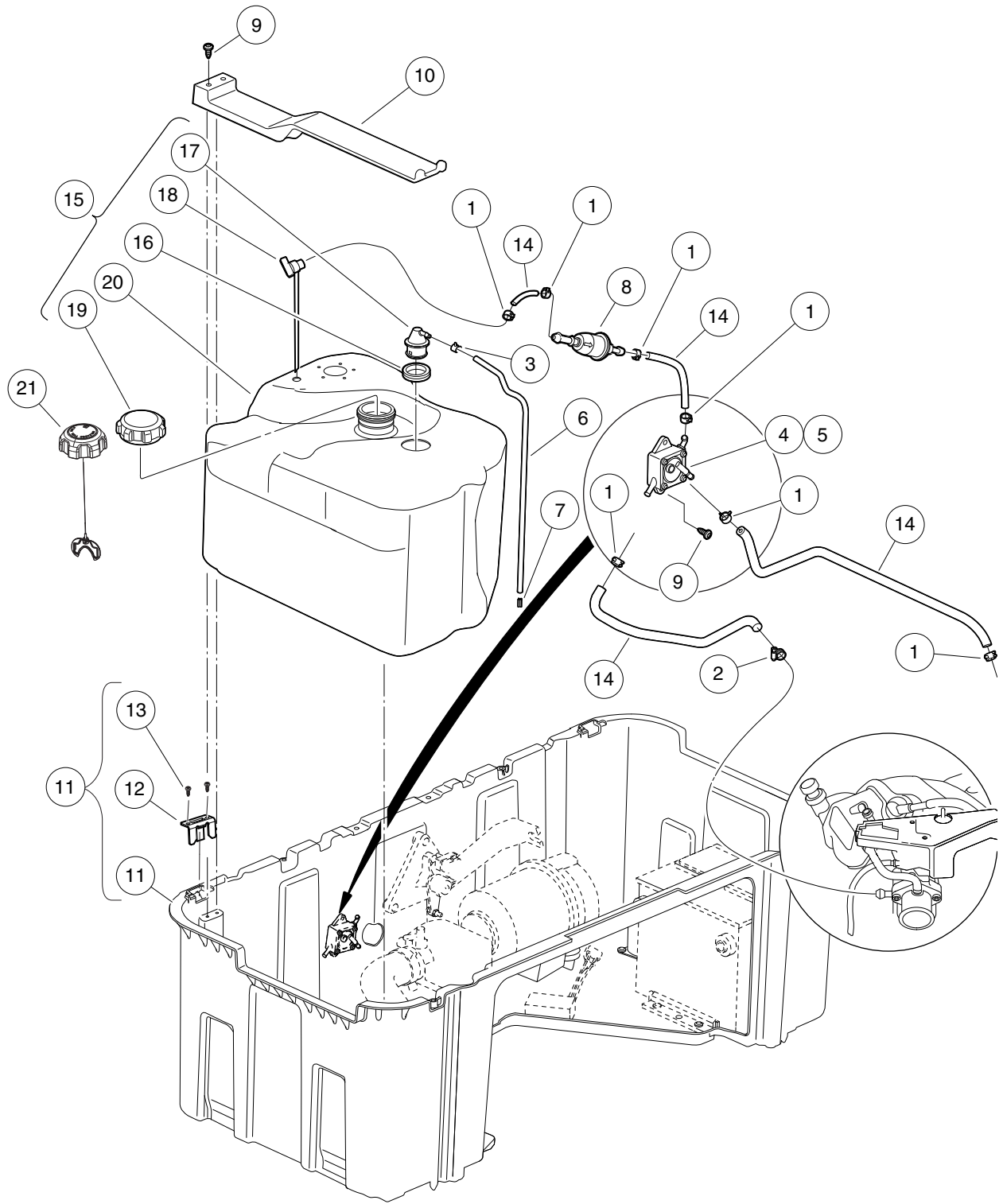
7

G

FUEL, INTAKE, AND GOVERNOR SYSTEMS

8

G

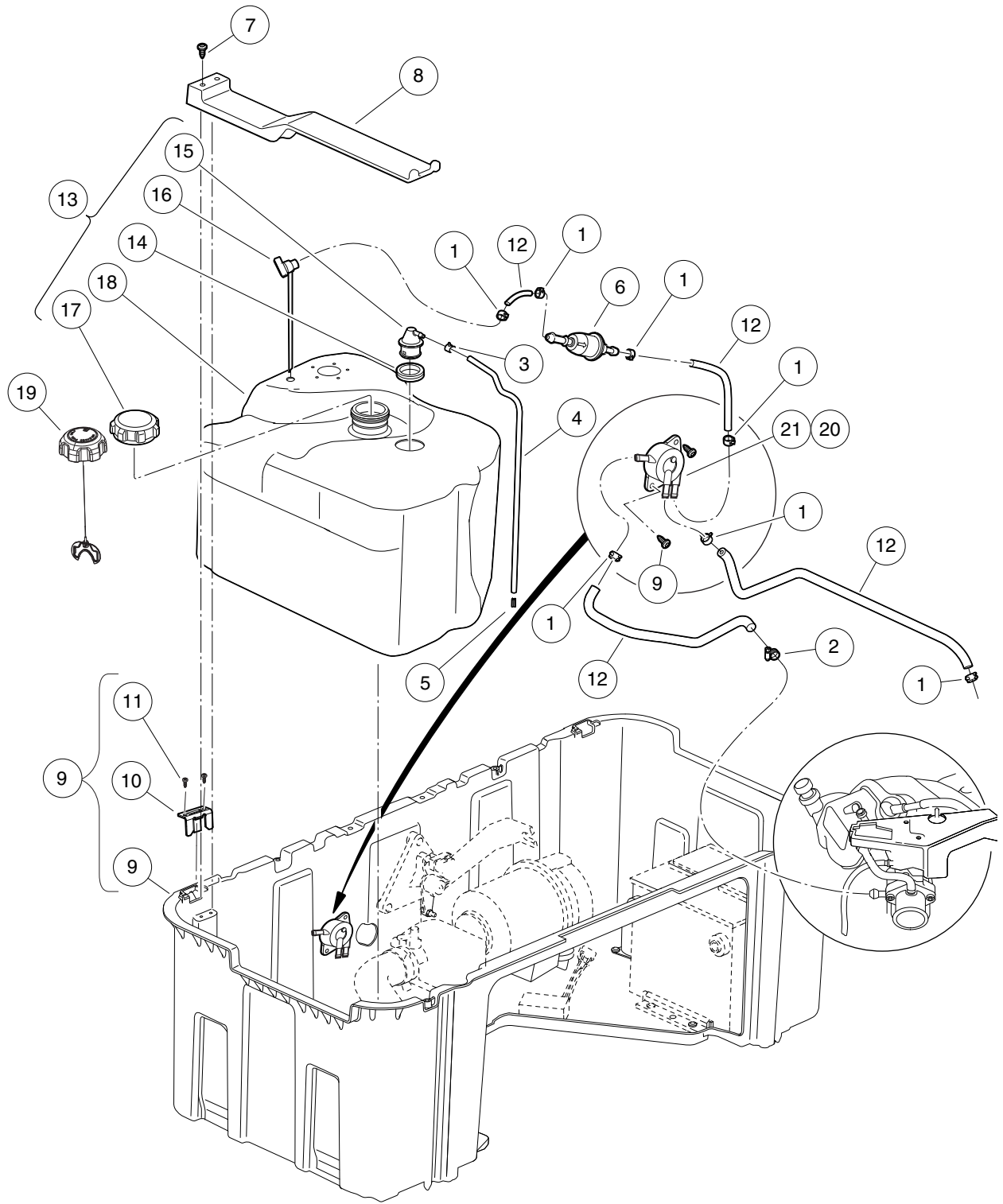


000449-006

FUEL SYSTEM WITH STYLE A FUEL PUMP

ITEM	PART NO.	DESCRIPTION	QTY
		1 2 3 4	
1	1012649	Clamp, 0.460 Red Hose	7
2	1013687	Clamp, 3/8" Hose (screw type)	1
3	1013746	Clamp, 0.301 ID Hose	1
4	1014523	Pump, Impulse Fuel	1
5	1014524	Kit, Impulse Pump Rebuild	1
6	1015137	Fuel Line (available by the foot)	1
7	101824401	Vent Barb	1
8	102003201	Filter, Fuel, 30 Micron	1
9	102296020	Screw, Torx Pan Hd Pt, M6 X 20	4
10	102514201	Hold-down - Fuel Tank	1
11	102514701	Bucket - Gas Vehicle (includes items 12 and 13)	1
12	103470701	Bracket, Bucket Hinge	2
13	N/A	Screw, #6 X .75, Cs Ss, Hi-lo	4
14	102865101	Fuel Line (available by the foot)	1
15	102952202	Asm, Tank, Fuel (includes items 16 through 20)	1
16	1015139	Insulation Grommet	1
17	1015143	Vent, Fuel Tank	1
18	102513701	Valve - Fuel Pickup Tube	1
19	102751601	Cap, Fuel Tank, Gasoline	1
20	N/A	Tank, Fuel, Prec	1
21	103372101	Cap, Fuel Tank, Gas, Ratchet	1
		<p>Note: 2010 Precedent Gasoline vehicles manufactured for use in California must use the ratcheting fuel cap, 103372101 to be compliant with California regulations.</p>	

8
G



000449-005

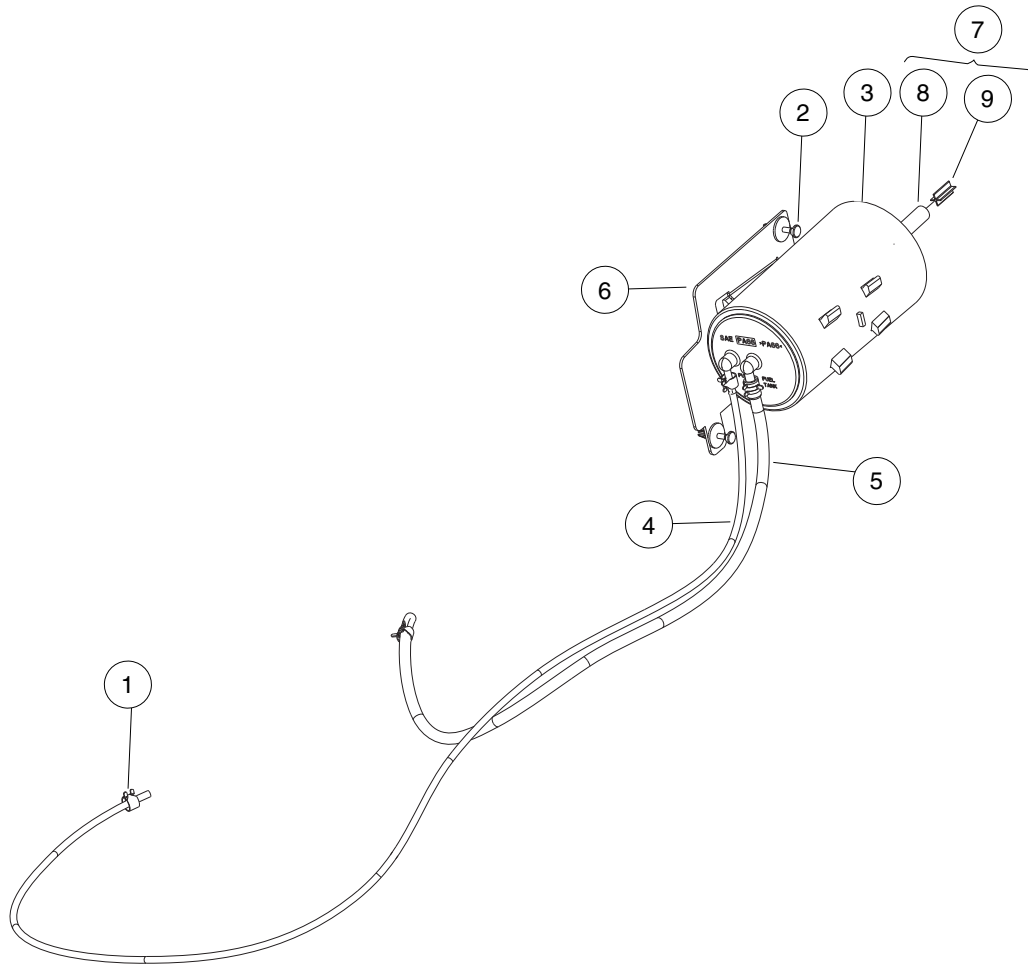
FUEL SYSTEM WITH STYLE B FUEL PUMP

ITEM	PART NO.	DESCRIPTION	QTY
		1 2 3 4	
1	1012649	Clamp, 0.460 Red Hose	7
2	1013687	Clamp, 3/8" Hose (screw type)	1
3	1013746	Clamp, 0.301 ID Hose	1
4	1015137	Fuel Line (available by the foot)	1
5	101824401	Vent Barb	1
6	102003201	Filter, Fuel, 30 Micron	1
7	102296020	Screw, Torx Pan Hd Pt, M6 X 20	4
8	102514201	Hold-down - Fuel Tank	1
9	102514701	Bucket - Gas Vehicle (includes items 10 and 11)	A/R
10	103470701	Bracket, Bucket Hinge	2
11	N/A	Screw, #6 X .75, Cs Ss, Hi-lo	4
12	102865101	Fuel Line (available by the foot)	1
13	102952202	Asm, Tank, Fuel (includes items 14 through 18)	1
14	1015139	Insulation Grommet	1
15	1015143	Vent, Fuel Tank	1
16	102513701	Valve - Fuel Pickup Tube	1
17	102751601	Cap, Fuel Tank, Gasoline	1
18	N/A	Tank, Fuel, Prec	1
19	103372101	Cap, Fuel Tank, Gas, Ratchet	1
20	103781101	Kit, Fuel Pump Retrofit (includes item 21)	1
21	103010101	Pump, Fuel, Impulse, Fh	1
<p style="text-align: center;">Note: 2010 Precedent Gasoline vehicles manufactured for use in California must use the ratcheting fuel cap, 103372101 to be compliant with California regulations. Note 2: Style B fuel pump 103010101 is retrofitable.</p>			

8
G

8

G



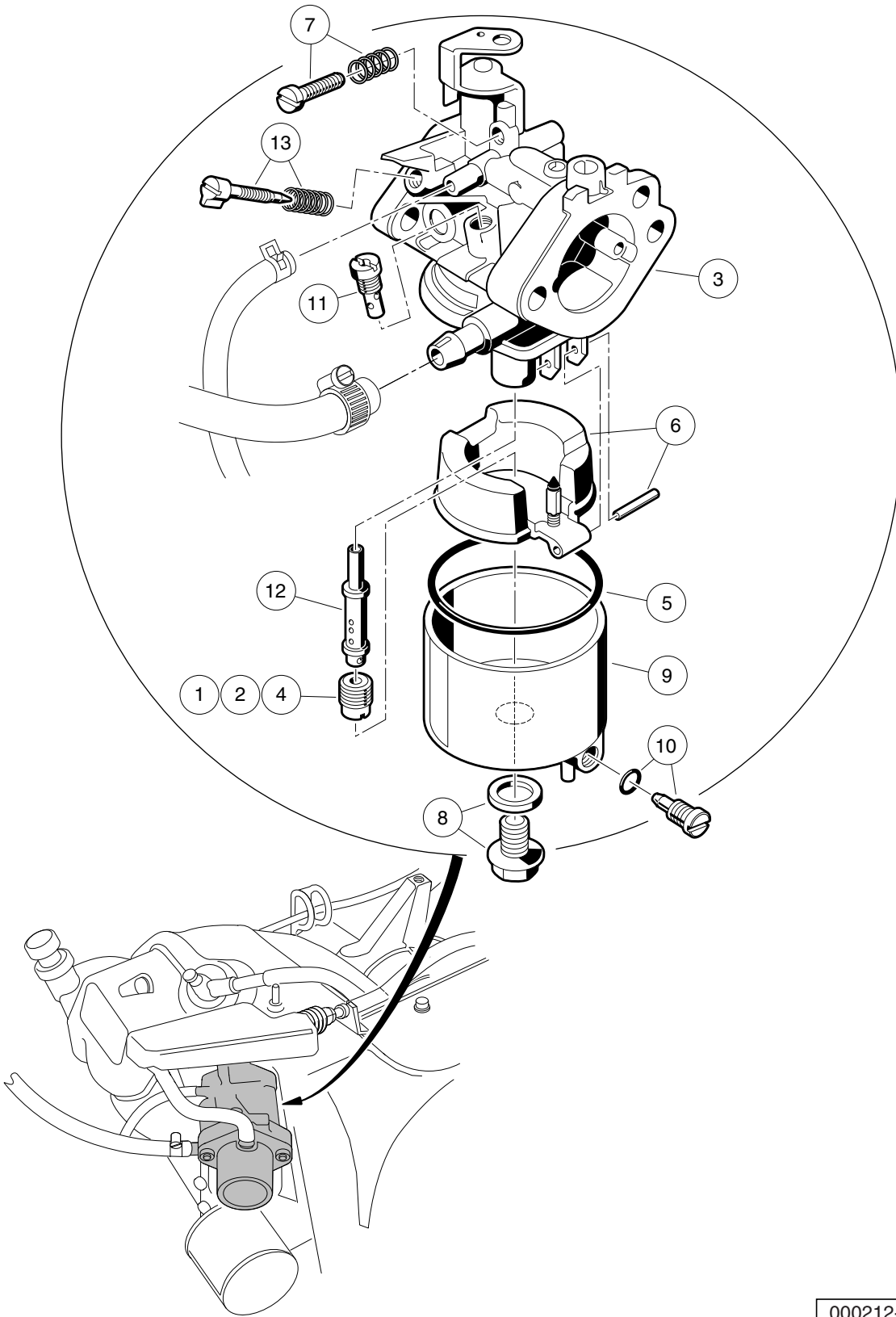
000980-001

CARBON CANISTER – FE350 (AS26)

ITEM	PART NO.	DESCRIPTION	QTY
		1 2 3 4	
1	101313402	Clamp, Green Hose	4
2	102967901	Rivet, Removable, Tuflok 1/4"	2
3	103372401	Canister, Carbon, Fuel Tank	1
4	103372502	Hose, Vent, Flare, 26"	3
5	103372603	Hose, Vent, 3/16" X 48"	4
6	103452001	Brkt, Mtg, Carbon Canister	1
7	103756401	Asm, Vent Line, Evap Canister (includes items 8 and 9)	1
8	N/A	Hose, Vent, 5/16 Id Bulk	1
9	N/A	Vent, Barb, 5/16 Dia Hose	1
<p style="text-align: center;">Note: The carbon canistor is mounted under the rear beauty panel on driver side in Model Year 2010 only.</p>			

8

G



000212-003

CARBURETOR ASSEMBLY – FE350 (AS26)

ITEM	PART NO.	DESCRIPTION	QTY
		1 2 3 4	
1	101642580	Jet, Altitude, # 80	1
2	101642582	Jet, Altitude, # 82	1
3	103616901	Carburetor, FE350 S26 (includes items 4 through 13)	1
4	101642585	Jet, Altitude, # 85	1
5	1016437	Gasket, Carburetor Bowl OHV	1
6	1016486	Float Assembly	1
7	1016501	Screw Assembly	1
8	1016585	Bolt	1
9	1017461	Chamber Assembly, Float (includes item 12) (includes item 10)	1
10	1016499	Screw Assembly	1
11	101973101	Jet, #40 Pilot	1
12	101973301	Nozzle, Main	1
13	N/A	Assembly, Pilot Air Screw	1
<p>Note: Altitude Jet Sizes:101642585 for 0 - 3,280 FT (0 - 1000 M); 101642582 for 3,280 - 9840 FT (1000 - 3000 M); 101642580 for Greater Than 9840 FT (3000 M). Carburetor 103616901 shown above, is only for AS26 FE350 engines.</p>			

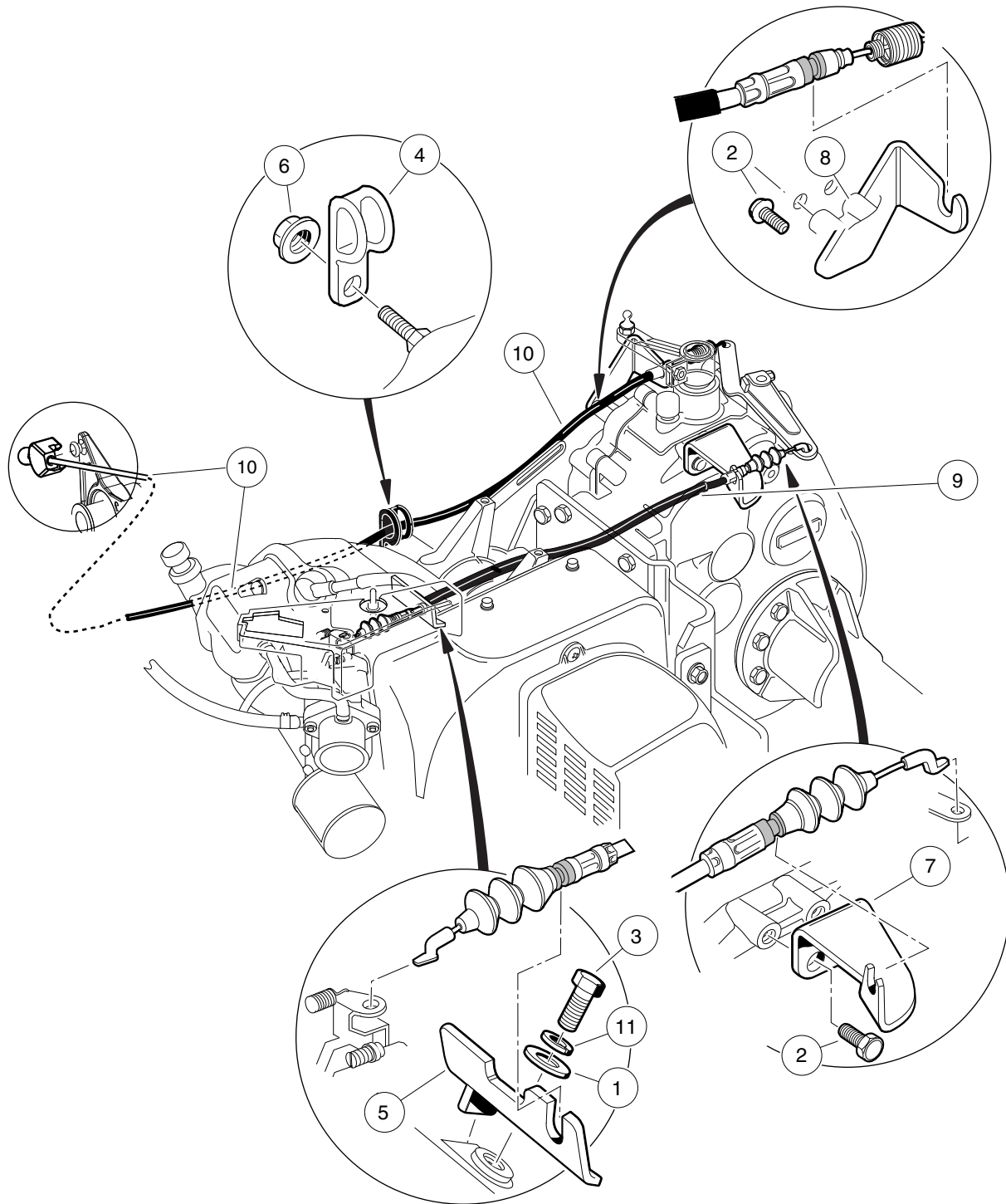
8

G

CARBURETOR INSTALLATION – FE350 (AS26)

ITEM	PART NO.	DESCRIPTION	QTY
		1 2 3 4	
1	1011697	Washer, 5/16 Flat	1
2	1013746	Clamp, 0.301 ID Hose	1
3	1015137	Fuel Line (available by the foot)	1
4	1016103	Screw, Pan Hd Tx, Taptite 6-32	2
5	1016438	Gasket, Carb To Intake Manifold	1
6	1016440	Gasket, Engine to Insulator	1
7	1016441	Gasket, Sprg Brkt To Carb OHV	1
8	1016444	Bracket, Throttle Spring Return	1
9	1016480	Pipe, Intake Manifold	1
10	101648102	Insulator, Carburetor	1
11	101649002	Stud, M6-1.00 Two-Ended	2
12	1016547	Nut, M6 Flange	2
13	1016572	Tube, Crankcase Vent	1
14	1016582	Spring, Throttle Return	1
15	1017466	Clamp	2
16	101820201	Shield, Governor	1
17	101887601	Locknut, M6-1.00 Nylon Insert	1
18	101973401	Gasket, Insulator To Bracket	1

8
G

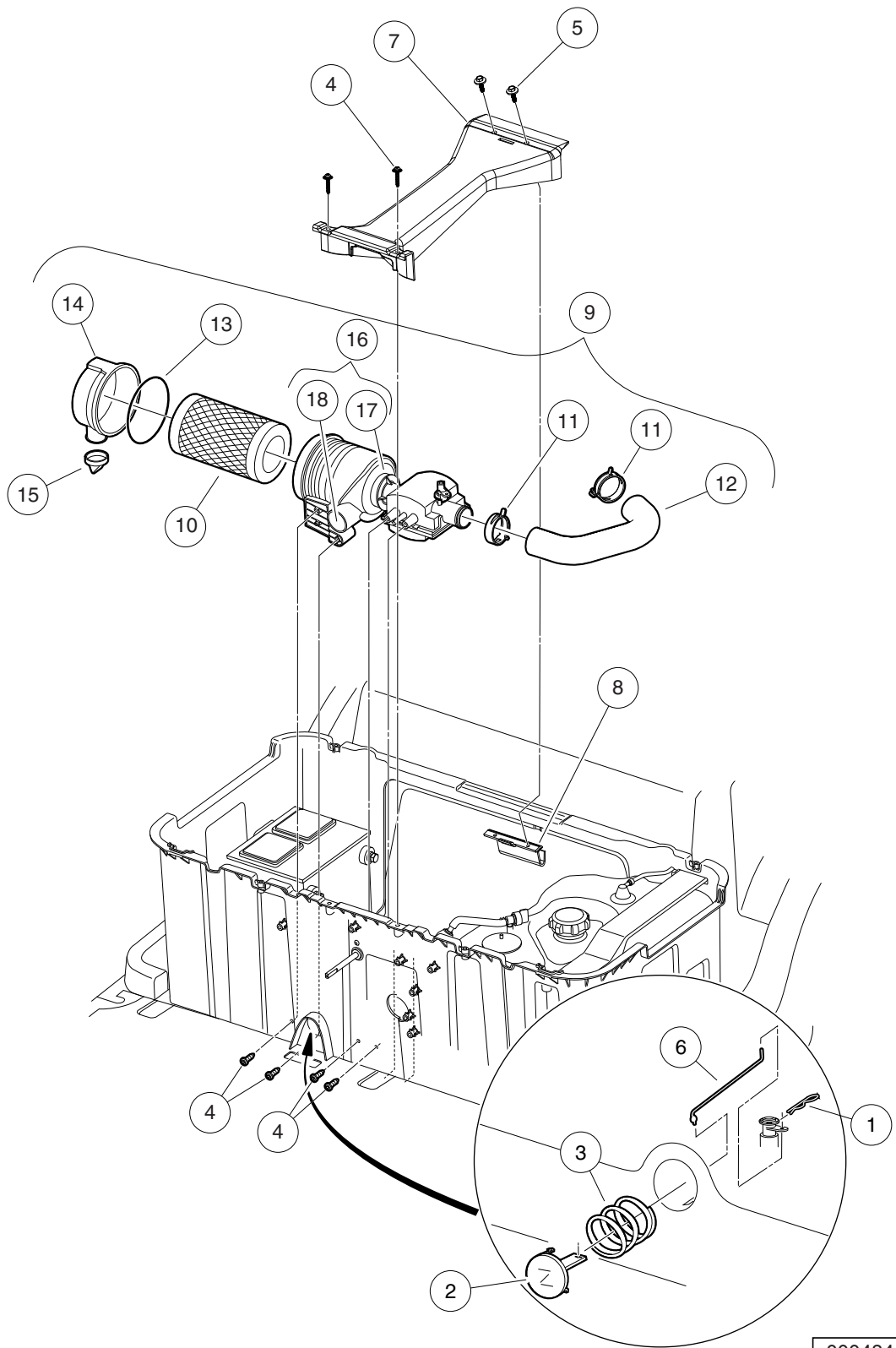


000215-003

GOVERNOR AND ACCELERATOR CABLES

ITEM	PART NO.	DESCRIPTION	QTY
		1 2 3 4	
1	1011697	Washer, 5/16 Flat	1
2	1012285	Screw, 1/4 X 0.625 Hex-Head	4
3	1012830	Screw, M8-125 X 22 Hex-Head	1
4	1013700	Clamp	2
5	101584502	Bracket, Governor Cable Snap-In	1
6	1016546	Nut	2
7	101832202	Bracket, Rear Governor Cable Snap-In	1
8	101832302	Bracket, Rear Accelerator Cable Snap-In	1
9	102336001	Cable, Governor, Snap-In	1
10	102595101	Cable, Acc, Snap-in (Generation 2)	1
11	7174	Lockwasher, 5/16 Split	1

8
G



000484-002

CHOKE AND AIR BOX ASSEMBLY

ITEM	PART NO.	DESCRIPTION	QTY
		1 2 3 4	
1	1014413	Pin, Hair Spring Cotter	1
2	101811401	Lever, Choke	1
3	101856201	Compression Spring	1
4	102296020	Screw, Torx Pan Hd Pt, M6 X 20	6
5	102297125	Screw M6-1.0x25.4 Thd Fm Sems	2
6	102514401	Rod, Choke Button	1
7	102521301	Brace, Gas Fuel Bucket	1
8	102521401	Support, Gas Bucket Brace	1
9	102588301	Air Intake Assy (includes items 10 through 16)	1
10	102558201	Air Filter, Precedent	1
11	102558301	Clamp, Air Intake, Prec	2
12	102558401	Hose, Air Intake, Prec	1
13	102558501	Gasket, Air Intake, Prec	1
14	102558601	Cover Asm, Air Intake, Prec	1
15	102558701	Evac Valve, Air Intake, Prec	1
16	N/A	Assembly, Body Intake (includes items 17 and 18)	1
17	N/A	Filter Element, Air Intake	1
18	N/A	Insert, Air Intake Body	1

8

G

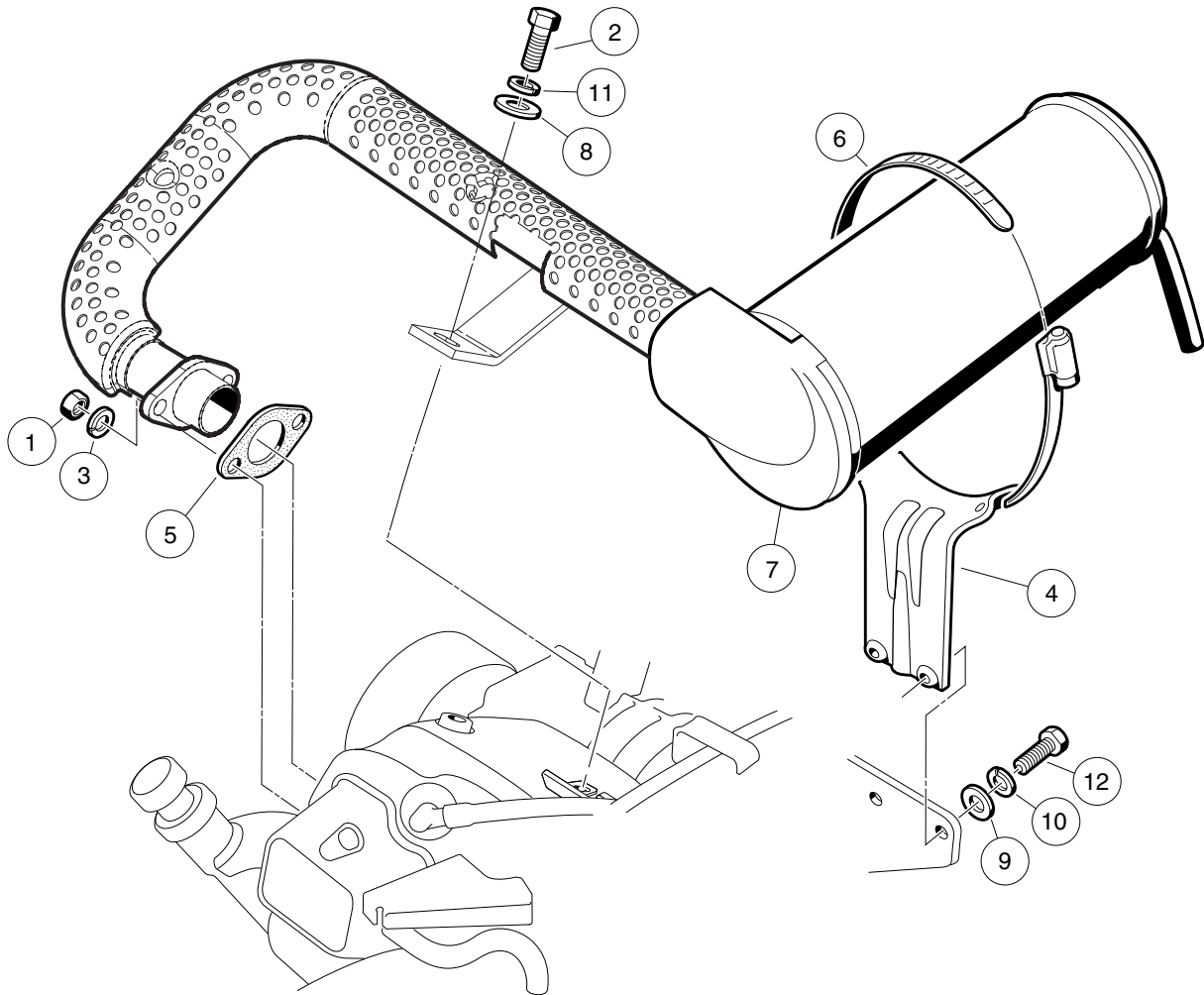
8

G

EXHAUST SYSTEM

9

G



000491-001

EXHAUST SYSTEM – FE350

ITEM	PART NO.	DESCRIPTION	QTY
		1 2 3 4	
1	1012528	Nut, M8-1.25 Hex	2
2	1012830	Screw, M8-125 X 22 Hex-Head	1
3	1013734	Lockwasher, 8mm Split	2
4	1015814	Bracket, Muffler Mounting	1
5	1016904	Gasket, Exhaust	1
6	1017689	Clamp, 5" Muffler Hose	1
7	102585901	Exhaust System, FE350, Precedent	1
8	1241	Washer, 5/16 Type A Flat	1
9	332	Washer, 1/4 Type A Narrow Flat	2
10	451	Lockwasher, 1/4 Split	2
11	7174	Lockwasher, 5/16 Split	1
12	7847	Screw, 1/4-20 X 0.75 Hex-Head Cap	2

9

G

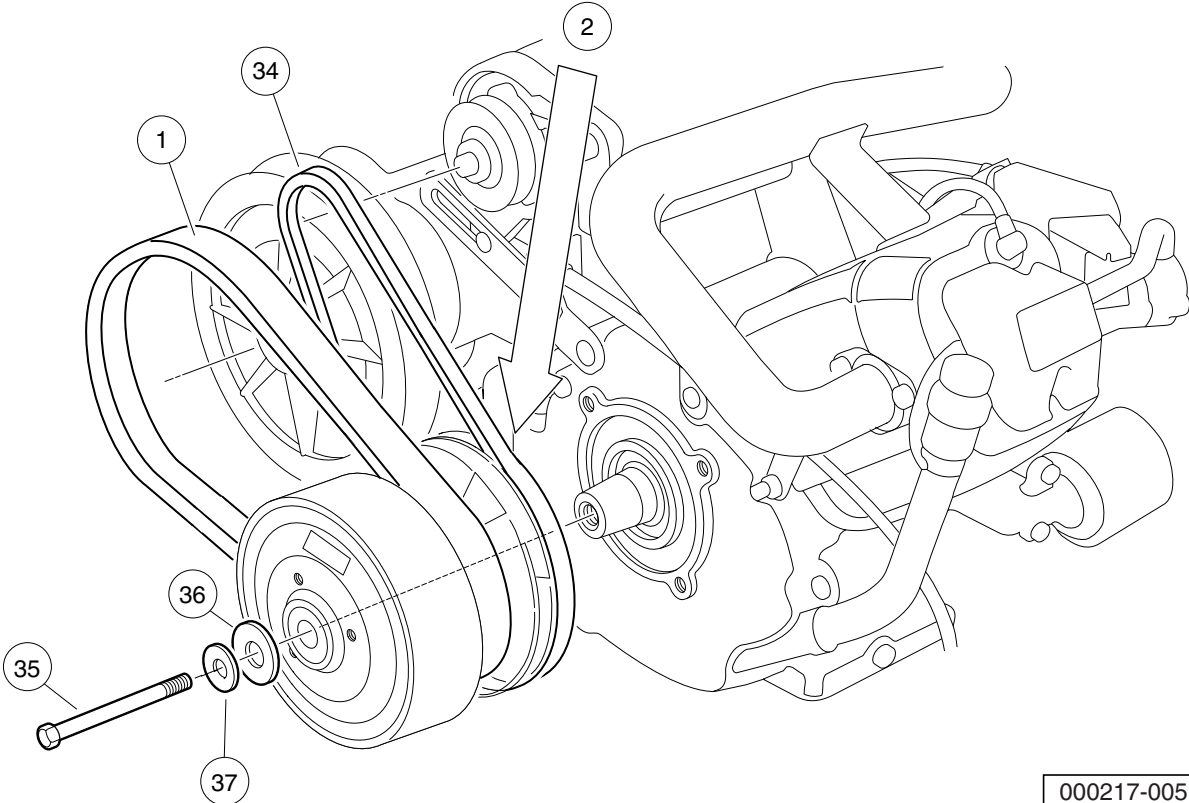
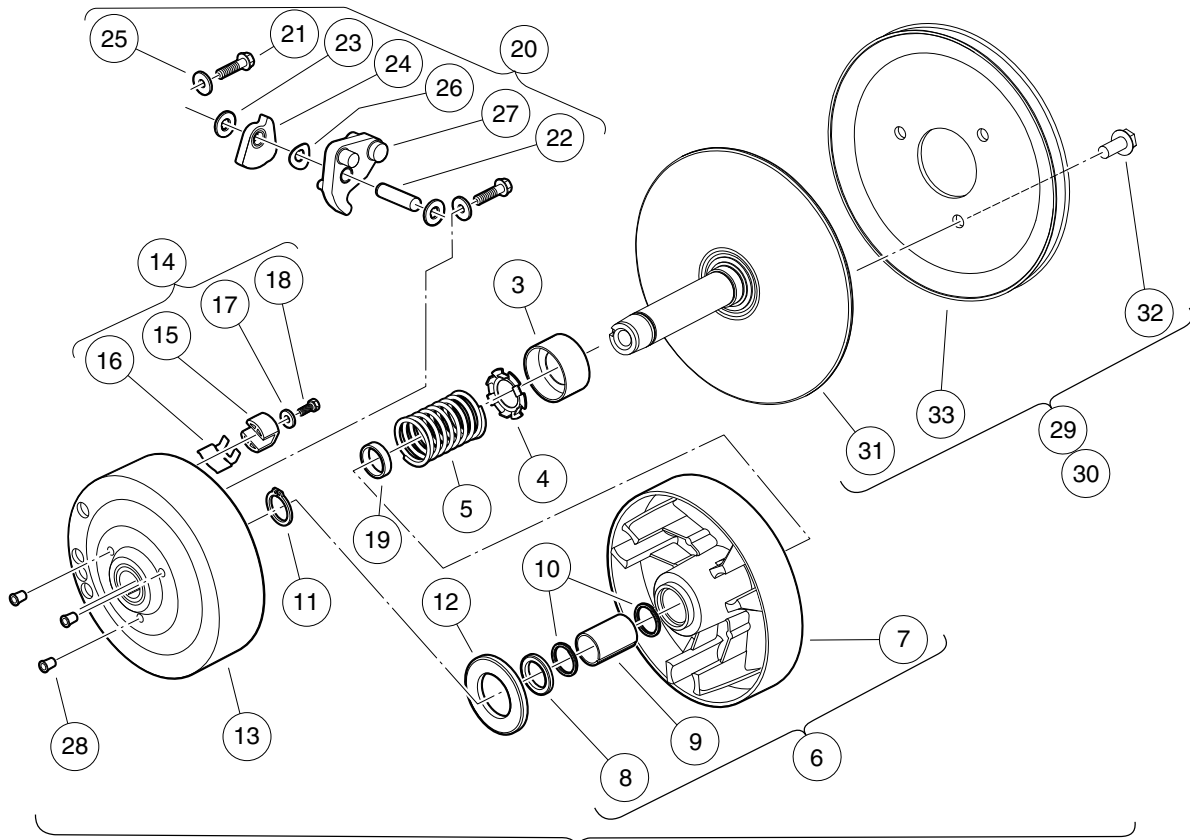
9

G

TORQUE CONVERTER

10

G

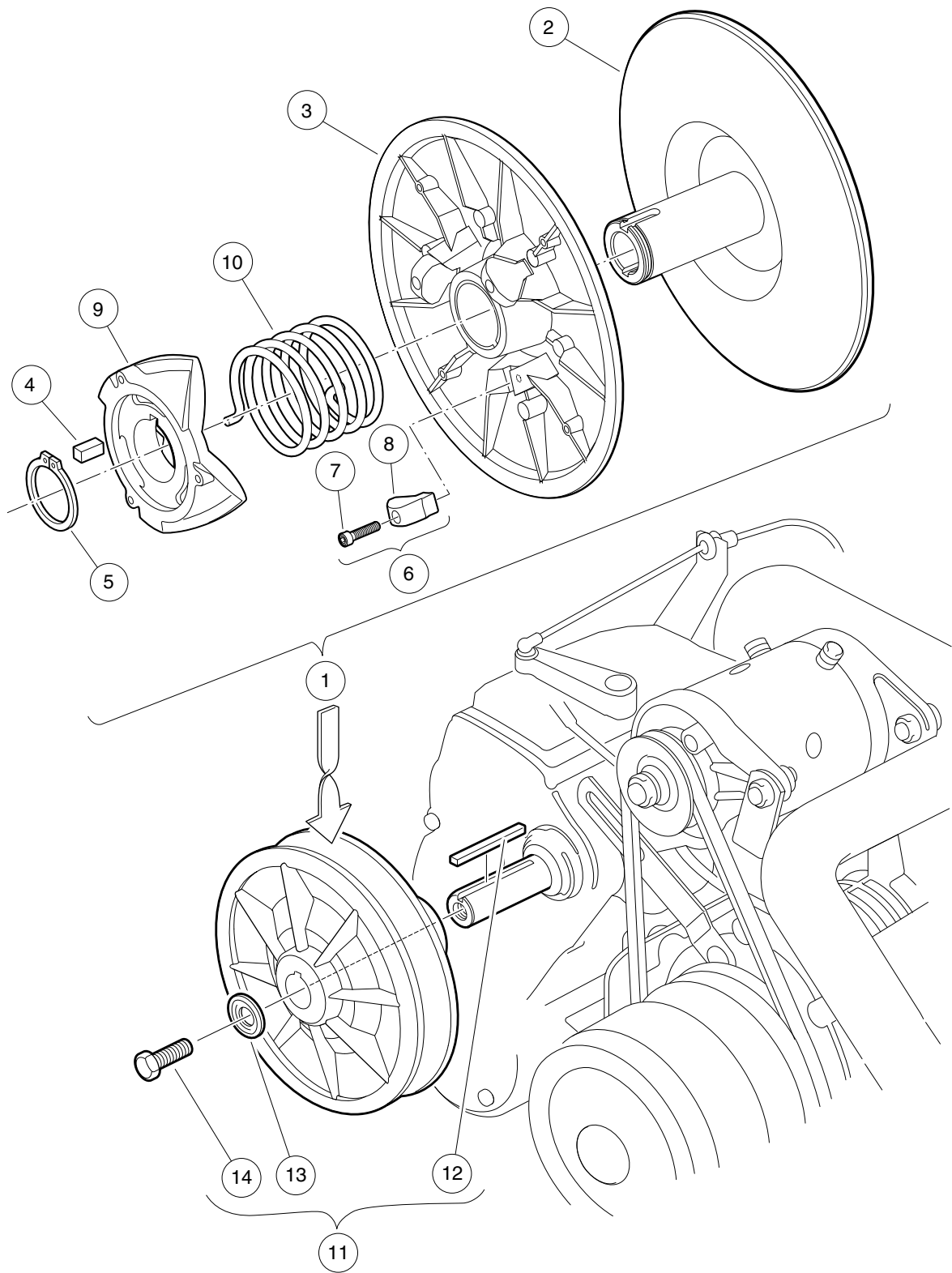


000217-005

DRIVE CLUTCH

10
G

ITEM	PART NO.	DESCRIPTION	QTY
		1 2 3 4	
1	1016203	Belt, Drive	1
2	101833902	Clutch, Drive (includes items 3 through 29)	1
3	1014049	Bearing, Idler	1
4	1014050	Retainer, Spring	1
5	1014051	Spring, Drive Clutch	1
6	1014052	Movable-Face Assembly (includes items 7 through 9)	1
7	N/A	Drive Clutch Movable Face	1
8	1014055	Retainer	1
9	N/A	Bushing, Split, Drive Clutch	1
10	1014056	Ring, Spiral Backup	2
11	1014057	Ring, 0.810" Internal Retaining	1
12	1014058	Thrust Washer	1
13	1014059	Drive Hub Assy, Drive Clutch	1
14	1014453	Kit, Drive Clutch Button (includes items 15 through 18)	1
15	1014062	Driver, Drive Clutch	3
16	1014287	Spring, Drive Button	3
17	183	Washer, #10 Type A Flat	3
18	8450	Screw, #10-24 X 0.50 Hex-Head	3
19	1016289	Spacer, Fixed Face Shaft	1
20	1016801	Kit, Drive Clutch Weight (includes items 21 through 27)	1
21	1014063	Screw, 1/4-20 X 1.00 Hex Head	6
22	N/A	Pin, 0.3752 X 1.50 Dowel	3
23	1014065	Washer, 0.38" ID Delrin Flat	6
24	N/A	Clutch Weight, Secondary	3
25	N/A	Washer	6
26	1016201	Washer, Wave	3
27	N/A	Weight, Primary	3
28	101925601	Plug, Drive Clutch	3
29	101929802	Kit, Fxd Face Dr Asm Fe290/350 (includes item 30)	1
30	N/A	Assembly, Fixed-Face Drive (includes items 31 through 33)	1
31	N/A	Fixed Face Assembly, Drive Clutch	1
32	1014288	Screw, 5/16-18 X 0.75 Thread-Forming	3
33	N/A	Pulley, Clutch	1
34	101916701	V-Belt	1
35	103345701	Screw 3/8-24x5.5 Hex Loc Ptch	1
36	334	Washer, 3/8 Type A Flat	1
37	808	Washer, 3/8 Type B Flat	1



000219-001

DRIVEN CLUTCH

ITEM	PART NO.	DESCRIPTION	QTY
		1 2 3 4	
1	101834001	Assembly, Driven Clutch (includes items 2 through 10)	1
2	1014070	Fixed Face Assy, Driven Clutch	1
3	1014072	Movable-Face Assembly with Bushing	1
4	1014078	Key, Driven Clutch	1
5	1014080	Ring, Retaining	1
6	1014454	Kit, Driven Clutch Button (includes items 7 and 8)	1
7	1012836	Screw, #8-32 X 3/4 Socket-Head Cap	3
8	N/A	Button, Drive	3
9	1017686	Cam, Driven Clutch	1
10	101836201	Spring, Driven Clutch, Reversed	1
11	AM10419	Kit, Clutch Repair (includes items 12 through 14)	1
12	101833401	Key, 3/16 Sq X 1.50"	1
13	N/A	Washer, Driven Clutch	1
14	102242101	Screw, 5/16-18 X 3/4 Hex-Head with Patch	1

10
G

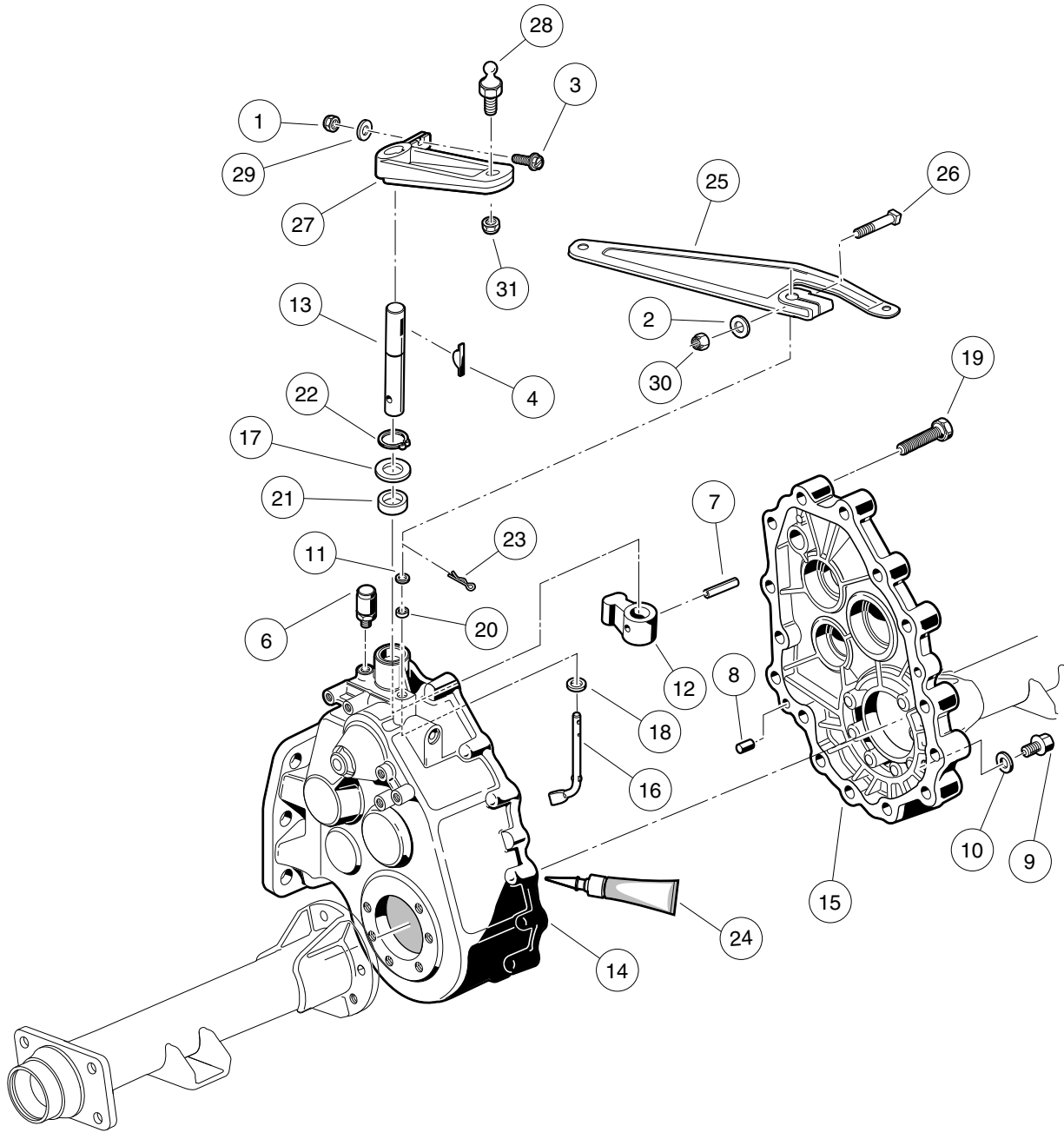
10

G

UNITIZED TRANSAXLE

11

G



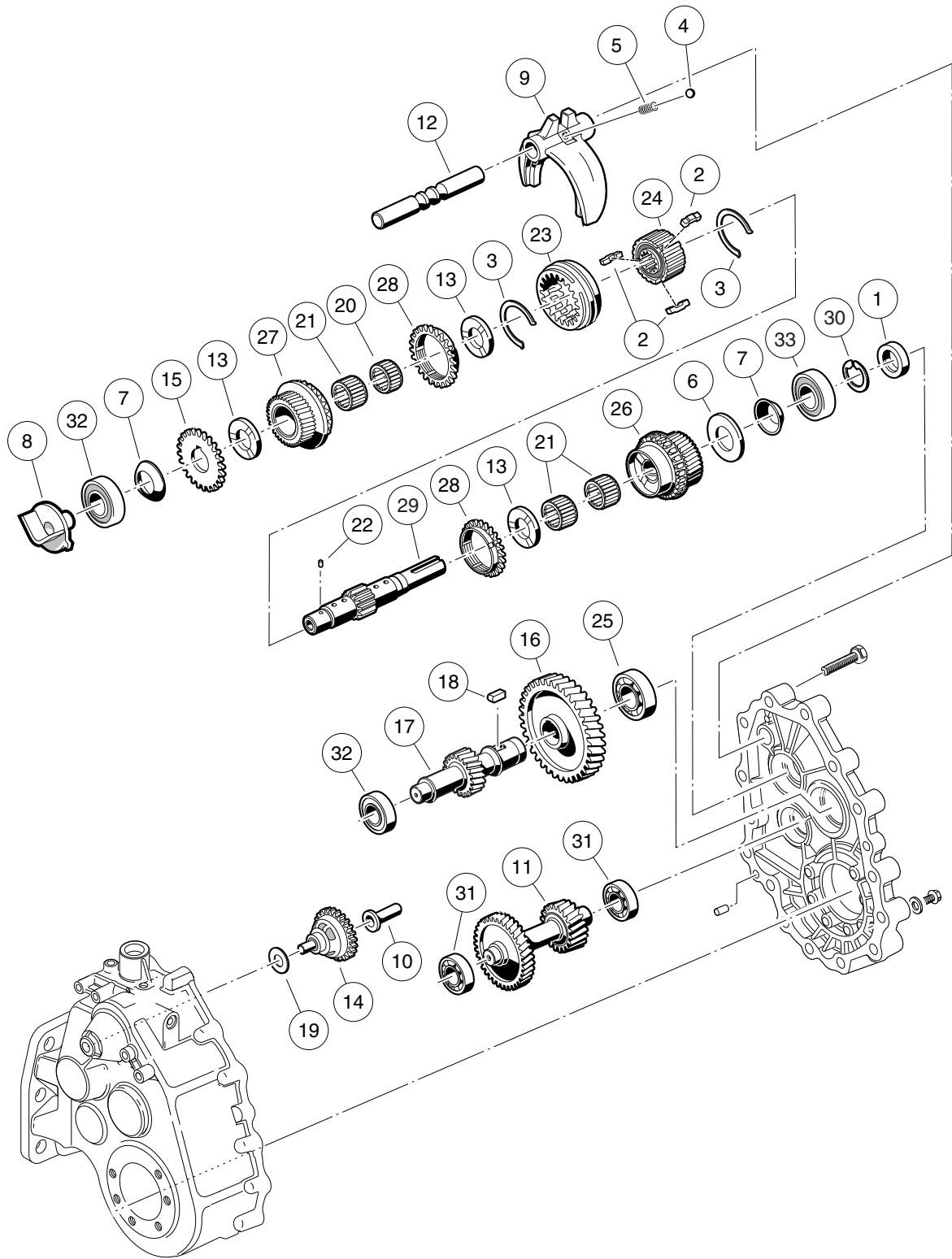
000220-003

KAWASAKI TRANSAXLE – GEAR CASES AND LEVERS

ITEM	PART NO.	DESCRIPTION	QTY
		1 2 3 4	
1	1013061	Locknut, #10-32 Nylon Insert	1
2	1014007	Washer, 1/4 Flat	1
3	1017082	Screw, #10-32 X 0.75, Hex-Head Machine	1
4	1017231	Key, Woodruff	1
5	101833601	Transaxle, 11.77 Ratio (includes items 6 through 24)	1
6	1012711	Breather	1
7	1012752	Roll Pin	1
8	1012896	Pin, Dowel	2
9	1013760	Fill Plug	2
10	1016432	Gasket, Drain Plug	1
11	1016513	Washer, M6 Flat	1
12	101890101	Lever, Drive Selector	1
13	101890201	Shaft, Drive Selector	1
14	101890501	Gear Case (driver side)	1
15	101890601	Gear Case (passenger side)	1
16	101891301	Arm Pivot	1
17	101892901	Washer	1
18	101893801	Washer	1
19	101926901	Screw, M8-1.25 X 40mm Hex-Head	15
20	101927101	Seal, Oil	1
21	101927201	Seal, Oil	1
22	101927301	Snap Ring	1
23	101928601	Pin, Cotter	1
24	101928701	Liquid Gasket (Transaxle case)	1
25	101834801	Arm, Governor	1
26	101886101	Screw, 1/4-20 X 1.00 Square-Head	1
27	102515401	Lever, Transmission Shift	1
28	102526201	Stud, Thread, 1/4-28	1
29	183	Washer, #10 Type A Flat	1
30	8233	Locknut, 1/4-20 Nylon Insert	1
31	8717	Locknut, 1/4-28 Nylon Insert	1
Note: Kawasaki transaxle component listings span three pages.			

11

G



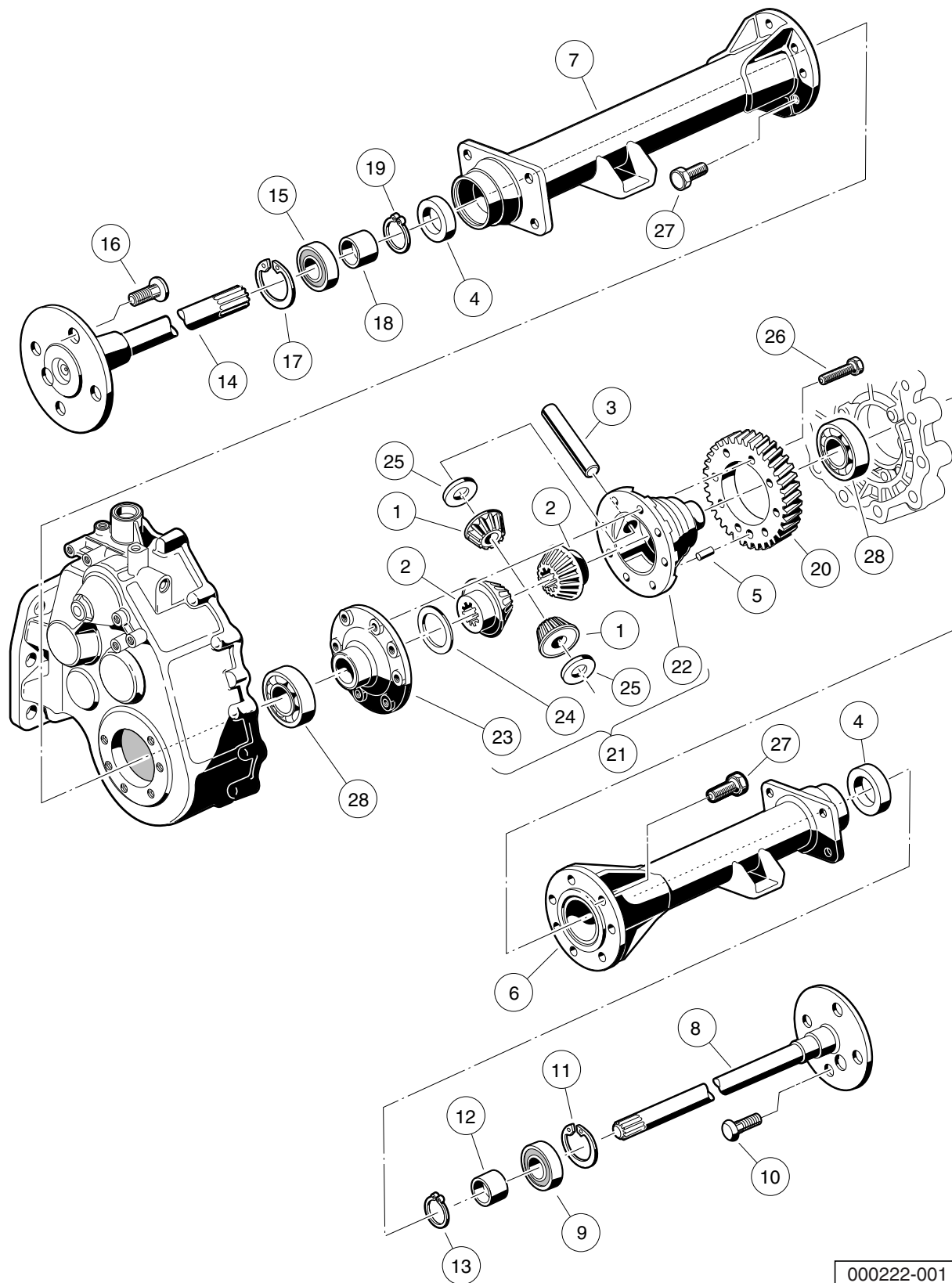
000221-001

KAWASAKI TRANSAXLE – F&R TRANSMISSION AND GEAR REDUCTION

ITEM	PART NO.	DESCRIPTION	QTY
		1 2 3 4	
1	1012714	Oil Seal	1
2	1012740	Synchro Insert	3
3	1012741	Synchro Spring	2
4	1012747	Shifter Ball	1
5	1012748	Shifter Spring	1
6	1016337	Washer, Thrust	1
7	1016338	Washer, Spring	2
8	101889401	Guide	1
9	101890001	Fork - Shift	1
10	101891601	Sleeve, Governor	1
11	101891901	Gear, Cluster	1
12	101892001	Rod, Shift	1
13	101892201	Plate, Thrust	3
14	101892301	Governor Assembly	1
15	101892401	Gear, Spur	1
16	101892501	Gear, Helical (61 Tooth)	1
17	101892601	Gear, Helical (17 Tooth)	1
18	101893201	Key Sunk	1
19	101893901	Washer	1
20	101927501	Needle Bearing	1
21	101927601	Needle Bearing	3
22	101927701	Pin, .116" Dia X 0.264 Dowel	1
23	101927901	Sleeve, Synchro	1
24	101928001	Hub, Synchro Clutch	1
25	101928101	Bearing, Ball	1
26	101980801	Gear Assembly, 16-Degree Synchro (25 Tooth)	1
27	101980901	Gear Assembly, 16-Degree Rear Synchro (28 Tooth)	1
28	101981001	Ring, 16-Degree Synchronizer	2
29	102453001	Shaft, Trans, with Circlip	1
30	102453101	Circlip	1
31	7335	Bearing	2
32	AM10080	Bearing, Ball, Sealed	2
33	AM10081	Bearing, Ball, Sealed	1

11

G



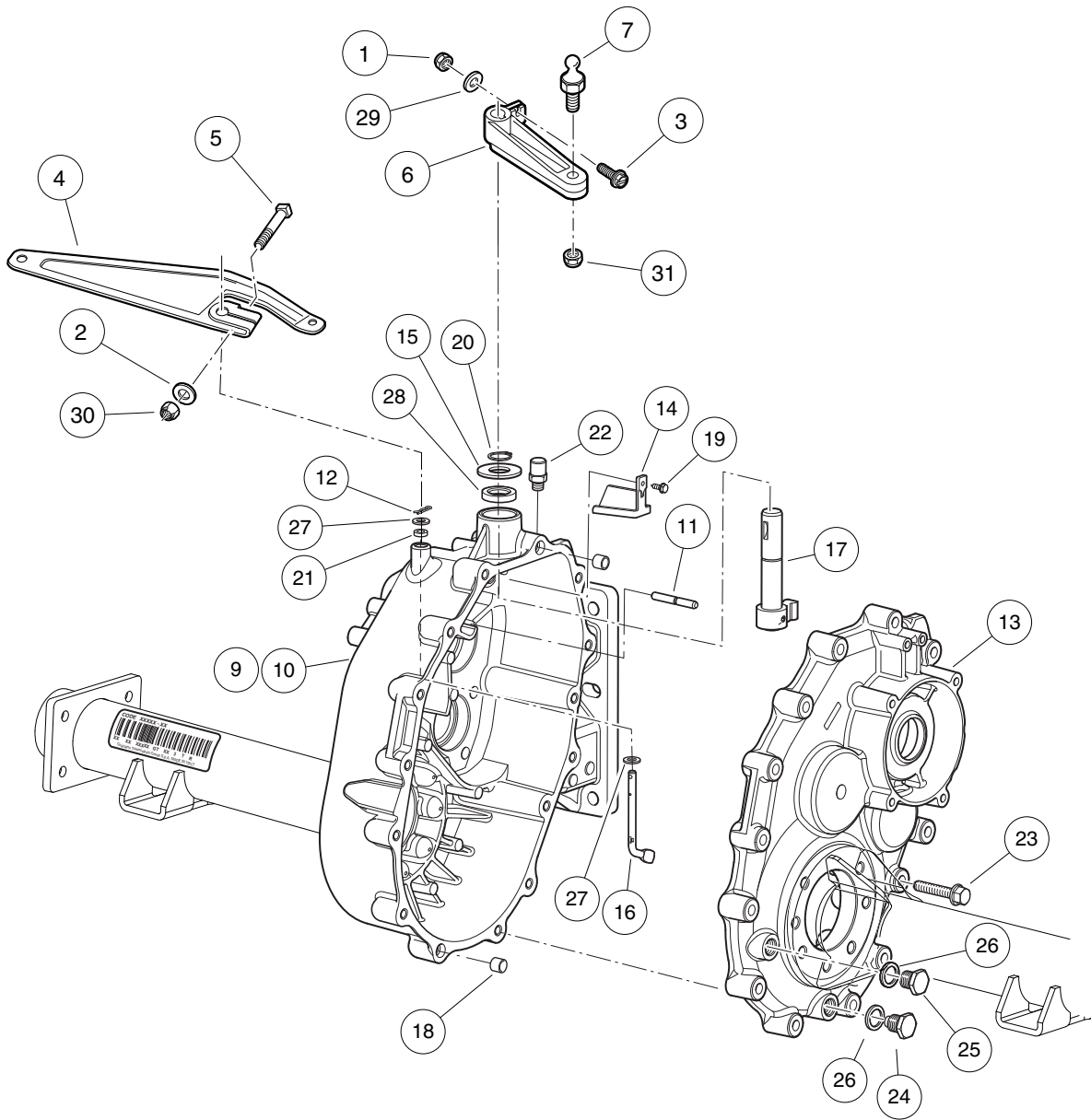
000222-001

KAWASAKI TRANSAXLE – DIFFERENTIAL AND AXLES

ITEM	PART NO.	DESCRIPTION	QTY
		1 2 3 4	
1	1013770	Differential Idler Gear	2
2	1013771	Gear, Differential	2
3	1013772	Pin, Differential	1
4	1013794	Axle Shaft Oil Seal	2
5	N/A	Dowel Pin	1
6	101890901	Axle Tube (Passenger Side)	1
7	101891001	Axle Tube (Driver Side)	1
8	101891401	Axle Assembly, Passenger Side (includes items 9 through 13)	1
9	1011291	Outer Axle, Tube Bearing	1
10	1013787	Lug Stud	4
11	1013792	Circlip Type C	1
12	1014207	Bushing	1
13	1016672	Retaining Ring	1
14	101891501	Axle Assembly, Driver-Side (includes items 15 through 19)	1
15	1011291	Outer Axle, Tube Bearing	1
16	1013787	Lug Stud	4
17	1013792	Circlip Type C	1
18	1014207	Bushing	1
19	1016672	Retaining Ring	1
20	101892701	Gear, Helical	1
21	101910501	Kit, Differential Gear Case (includes items 22 through 25)	1
22	1013768	Differential Gear Case, Left-Hand	1
23	1013769	Differential Gear Case, Right-Hand	1
24	1013773	Plate, Thrust (Differential Gear)	1
25	1013774	Plate, Thrust (Idler Gear)	2
26	101928301	Screw, M8-1.25 X 35mm Hex Head	8
27	102031901	Bolt, M10 X 1.5 X 30mm	14
28	7330	Inner Axle Tube Bearing	2

11

G



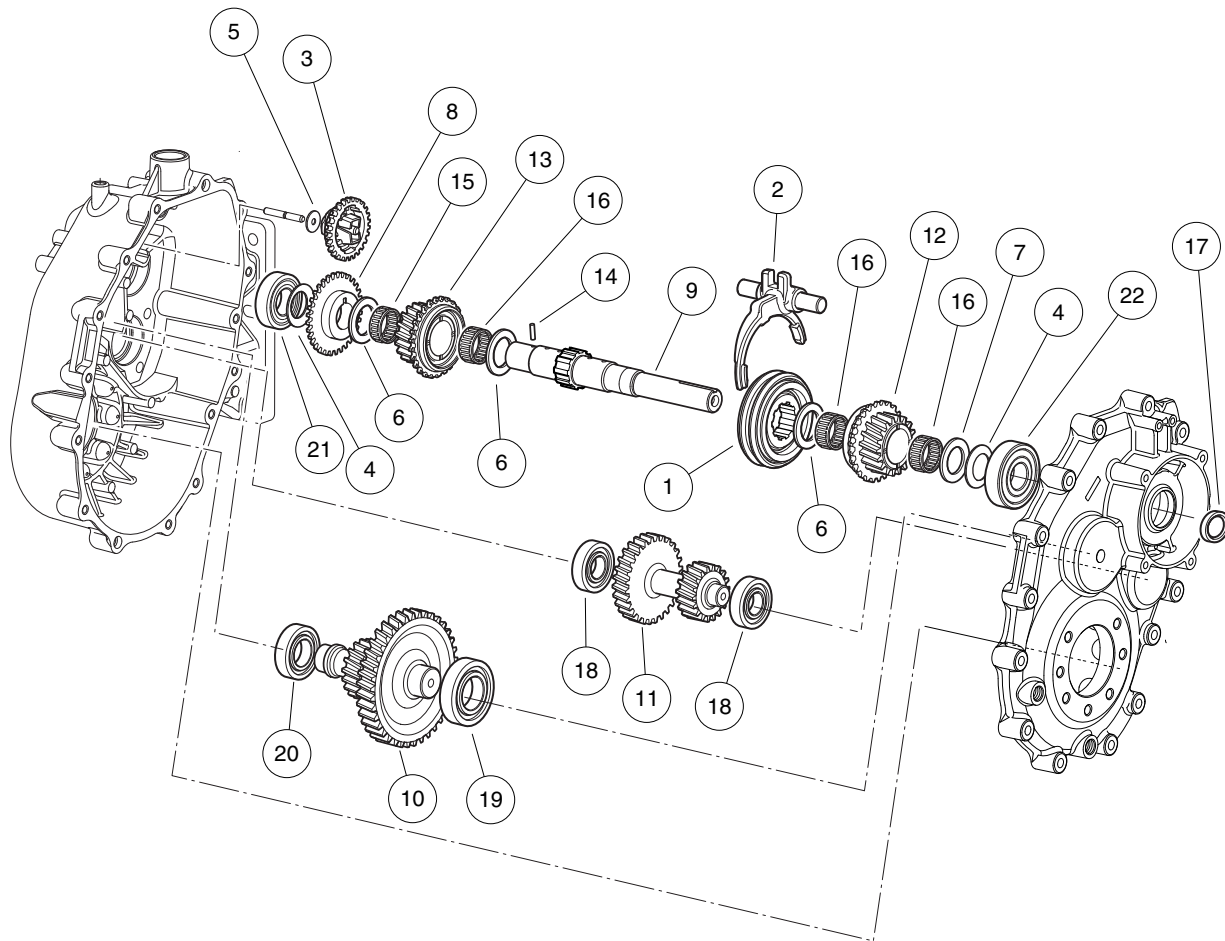
000680-005

GRAZIANO TRANSAXLE – GEAR CASES AND LEVERS

ITEM	PART NO.	DESCRIPTION	QTY
		1 2 3 4	
1	1013061	Locknut, #10-32 Nylon Insert	1
2	1014007	Washer, 1/4 Flat	1
3	1017082	Screw, #10-32 X 0.75, Hex-Head Machine	1
4	101834801	Arm, Governor	1
5	101886101	Screw, 1/4-20 X 1.00 Square-Head	1
6	102515401	Lever, Transmission Shift	1
7	102526201	Stud, Thread, 1/4-28	1
8	102896801	Transaxle, Unitized, Graziano (includes items 9 through 28)	1
9	102896901	Gear Box (Driver-Side) (includes items 10 and 11)	1
10	N/A	Gear Box	1
11	N/A	Pin, Speed Governor	1
12	102897401	Pin, Split	1
13	102897501	Cover, Gear Box (Passenger-Side)	1
14	102897601	Conveyor, Oil	1
15	102897801	Washer, Thrust	1
16	102897901	Lever, Speed Governor	1
17	102898201	Unit, Drive Selector	1
18	102899101	Dowel	2
19	102899201	Screw	1
20	102899401	Ring, Snap	1
21	102899701	Grommet	1
22	102899801	Breather	1
23	102900001	Screw	15
24	102900101	Drain Plug, Magnetic	1
25	102900201	Fill Plug	1
26	102900301	Seal	2
27	102900601	Washer	2
28	102900901	Grommet	1
29	183	Washer, #10 Type A Flat	1
30	8233	Locknut, 1/4-20 Nylon Insert	1
31	8717	Locknut, 1/4-28 Nylon Insert	1
		<p>Note: Graziano transaxle component listings span three pages. To identify your transaxle, locate the serial number decal on the axle tube.</p>	

11

G



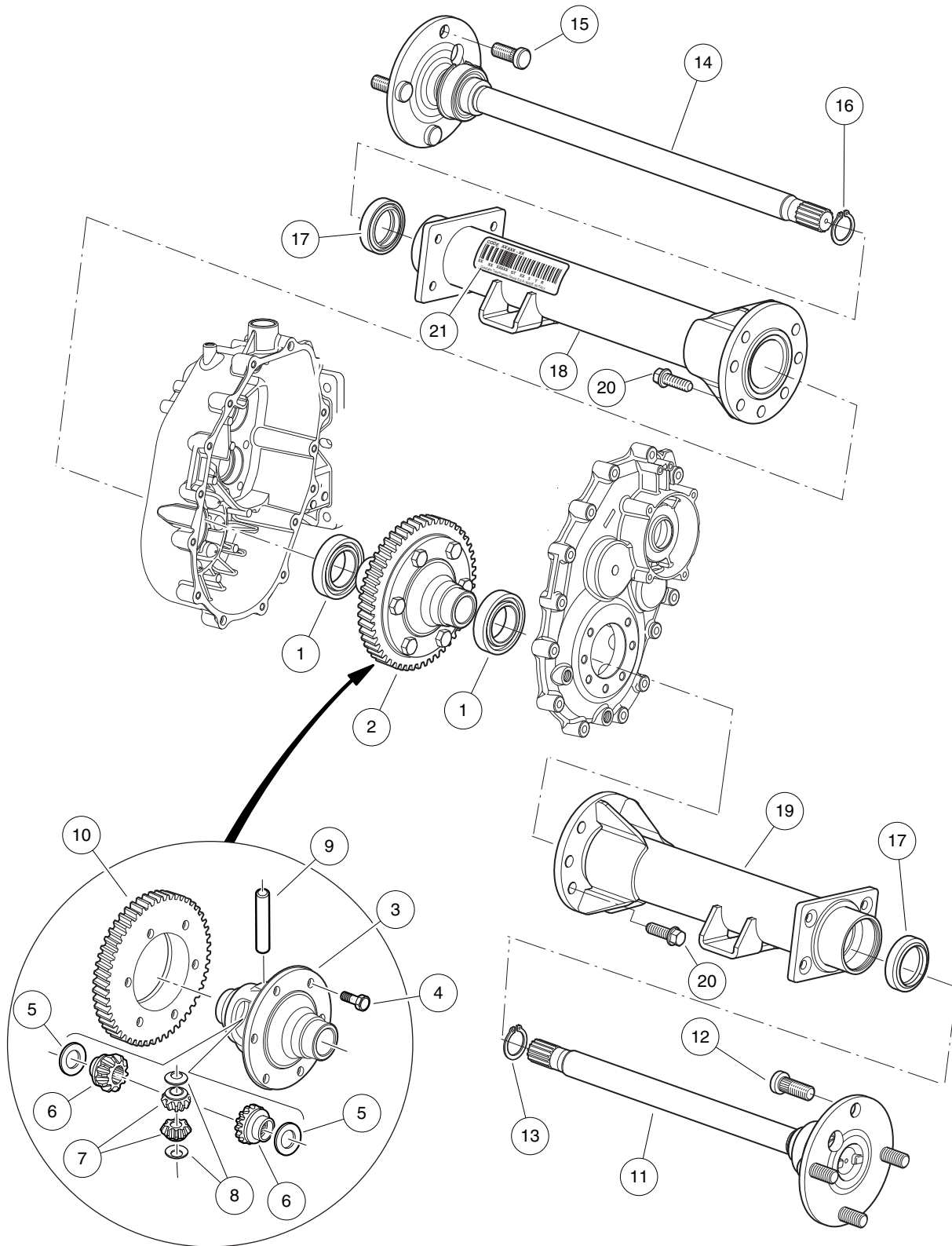
000680-006

GRAZIANO TRANSAXLE – F&R TRANSMISSION AND GEAR REDUCTION

11

G

ITEM	PART NO.	DESCRIPTION	QTY
		1 2 3 4	
1	102897201	Synchronizer, Complete	1
2	102897301	Fork, Complete	1
3	102897701	Assembly, Speed Governor	1
4	102898001	Washer, Belleville	2
5	102898101	Bearing, Thrust	1
6	102898301	Bearing, Thrust	3
7	102898401	Washer, Thrust	1
8	102898501	Gear, Speed Governor	1
9	102898601	Shaft, Main	1
10	102898701	Shaft, Secondary	1
11	102898801	Shaft, Reverse Gear	1
12	102898901	Gear, Complete, 25t	1
13	102899001	Gear, Complete, 28t	1
14	102899301	Pin	1
15	102899501	Cage, Roller	1
16	102899601	Cage, Roller	3
17	102899901	Grommet	1
18	102900401	Bearing	2
19	102900501	Bearing, 62 Od X 30 Id X 16	1
20	102900701	Bearing	1
21	102901001	Bearing	1
22	102901101	Bearing	1
<p>Note: To identify your transaxle, locate the serial number decal on the axle tube.</p>			



000681-002

GRAZIANO TRANSAXLE -DIFFERENTIAL AND AXLES

ITEM	PART NO.	DESCRIPTION	QTY
		1 2 3 4	
1	102900801	Bearing, 68 Od X 40 Id X 15	2
2	102902001	Assembly, Differential (includes items 3 through 10)	1
3	102901201	Box, Differential	1
4	102901301	Screw, M10 X 25	6
5	102901401	Ring, Sleeve	2
6	102901501	Gear, Sun	2
7	102901601	Gear, Planetary	2
8	102901701	Ring, Sleeve	2
9	102901801	Pin	1
10	102901901	Gear	1
11	102902101	Shaft, Axle, Short, Complete (Passenger-Side) (includes items 12 and 13)	1
12	102902301	Bolt, Stud	4
13	102902401	Snap Ring	1
14	102902201	Shaft, Axle, Long, Complete (Driver-Side) (includes items 15 and 16)	1
15	102902301	Bolt, Stud	4
16	102902401	Snap Ring	1
17	102902501	Seal, Lip	2
18	102902601	Axle Tube, (Driver-Side)	1
19	102902701	Axle Tube, (Passenger-Side)	1
20	102902801	Screw, M10 X 30	14
21	N/A	Tag, Serial	1
		Note: To identify your transaxle, locate the serial number decal on the axle tube.	

11

G

11

G

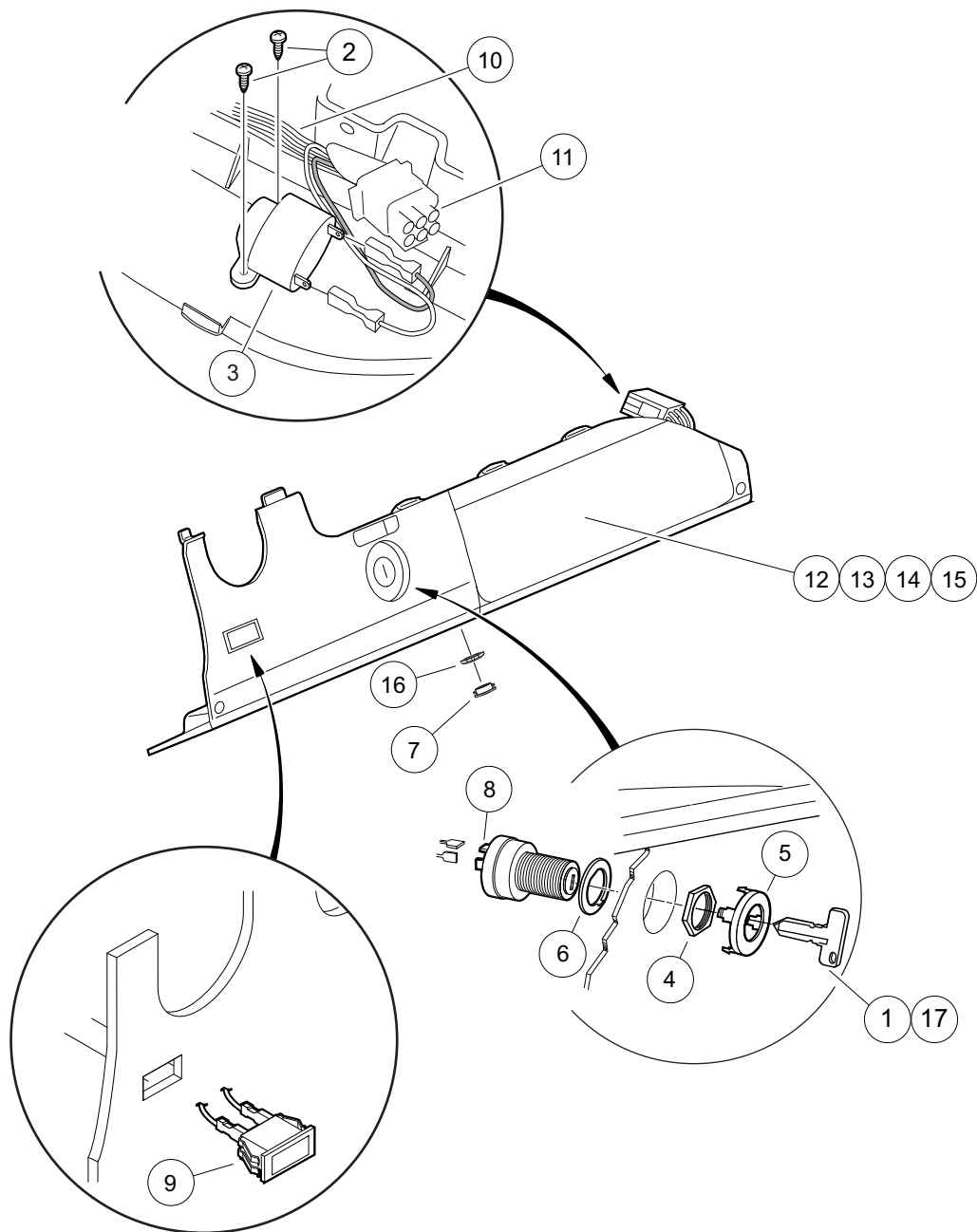
ELECTRICAL SYSTEM – ELECTRIC VEHICLE

12

E

12

E



000490-001

ELECTRICAL COMPONENTS, FRONT BODY – ELECTRIC VEHICLE

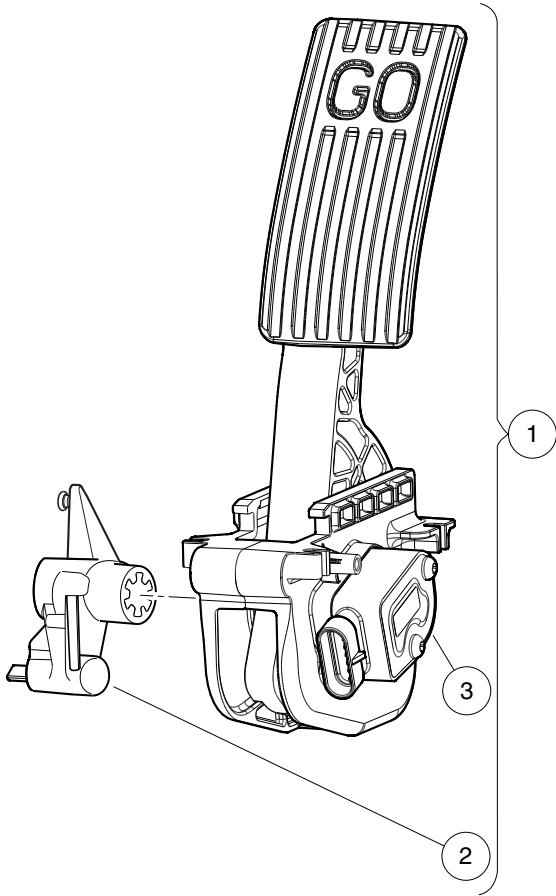
ITEM	PART NO.	DESCRIPTION	QTY
		1 2 3 4	
1	1012505	Keys (set of 2)	1
2	1016849	Screw, #4-24 X 0.33 Pan-Head Machine	2
3	1016851	Buzzer, Reverse (9-48 VDC)	1
4	101830701	Nut, Key Switch	1
5	101834502	Cap, Black Key Switch	1
6	101851101	Washer, Key Switch	1
7	102196901	Dust Cap	1
8	102508601	Key Switch, Electric	1
9	102508701	Light, Battery	1
10	102510001	Ip Control Harness, Elec (includes item 11)	1
11	N/A	Connector, Cap 9-pin	1
12	102522901	Instrument Panel (standard)	1
13	102536601	Instrument Panel (with Hole for Headlight Switch)	1
14	102536603	Instrument Panel (with Hole for Battery Condition Indicator)	1
15	102536605	Instrument Panel (with Hole for Headlight Switch and Battery Condition Indicator)	1
16	102572401	Nut, Diagnostic Port, Prec	1
17	AM10079	Bulk Std Keys (50) *	1
		* Note: Must order in multiples of 50.	

12

E

12

E



000488-006

THROTTLE SENSOR

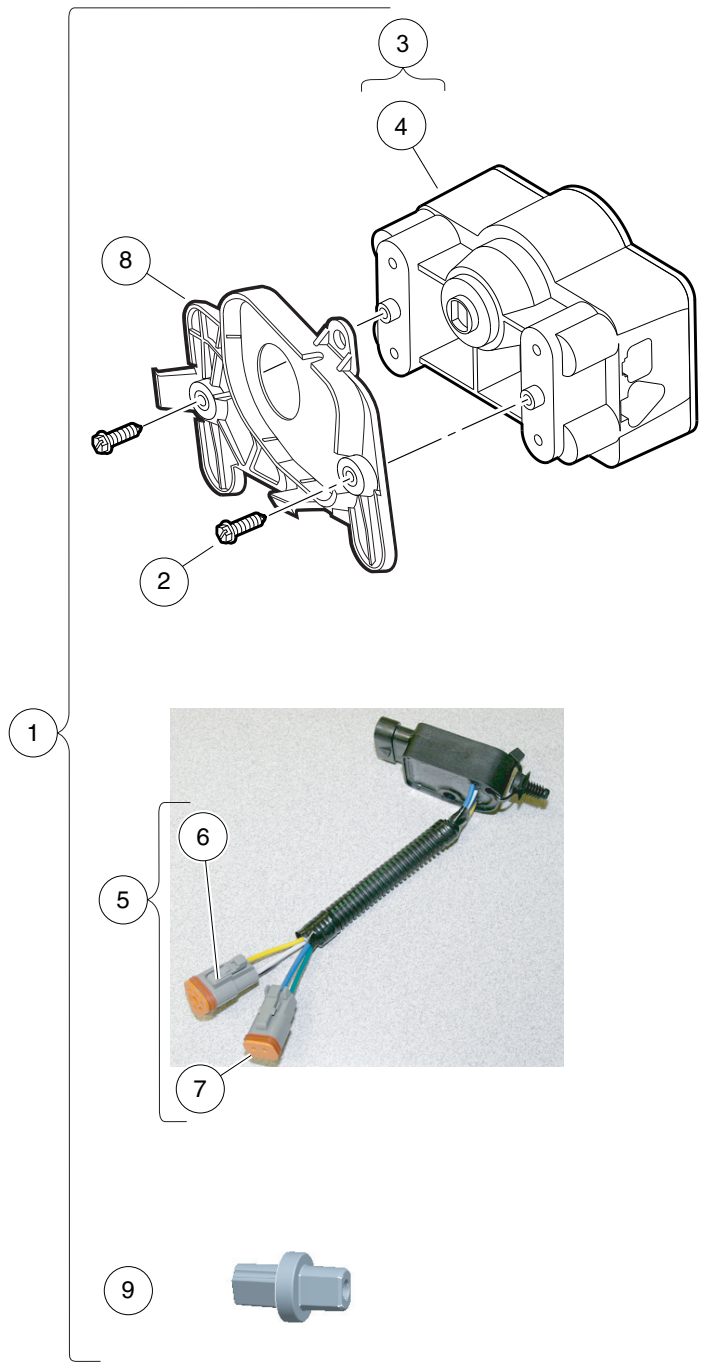
ITEM	PART NO.	DESCRIPTION	QTY
		1 2 3 4	
1	102595601	Throttle, Elec (includes items 2 and 3)	1
2	103760701	Asm, Gen2, Park Brake Release	1
3	N/A	Throttle Sensor	1
<p>Note: The throttle sensor was used in electric vehicles with serial numbers lower than 1009-082079.</p>			

12

E

12

E



000488-005

MOTOR CONTROLLER OUTPUT REGULATOR (MCOR)

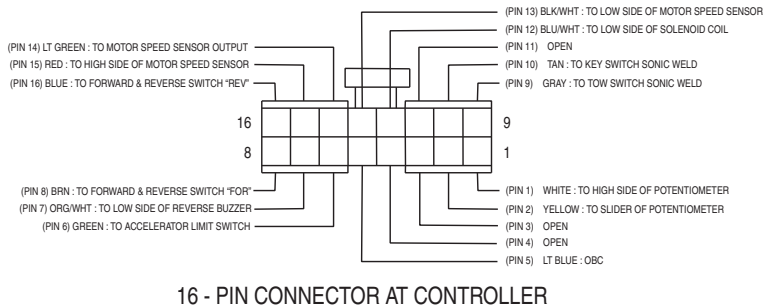
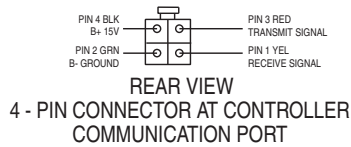
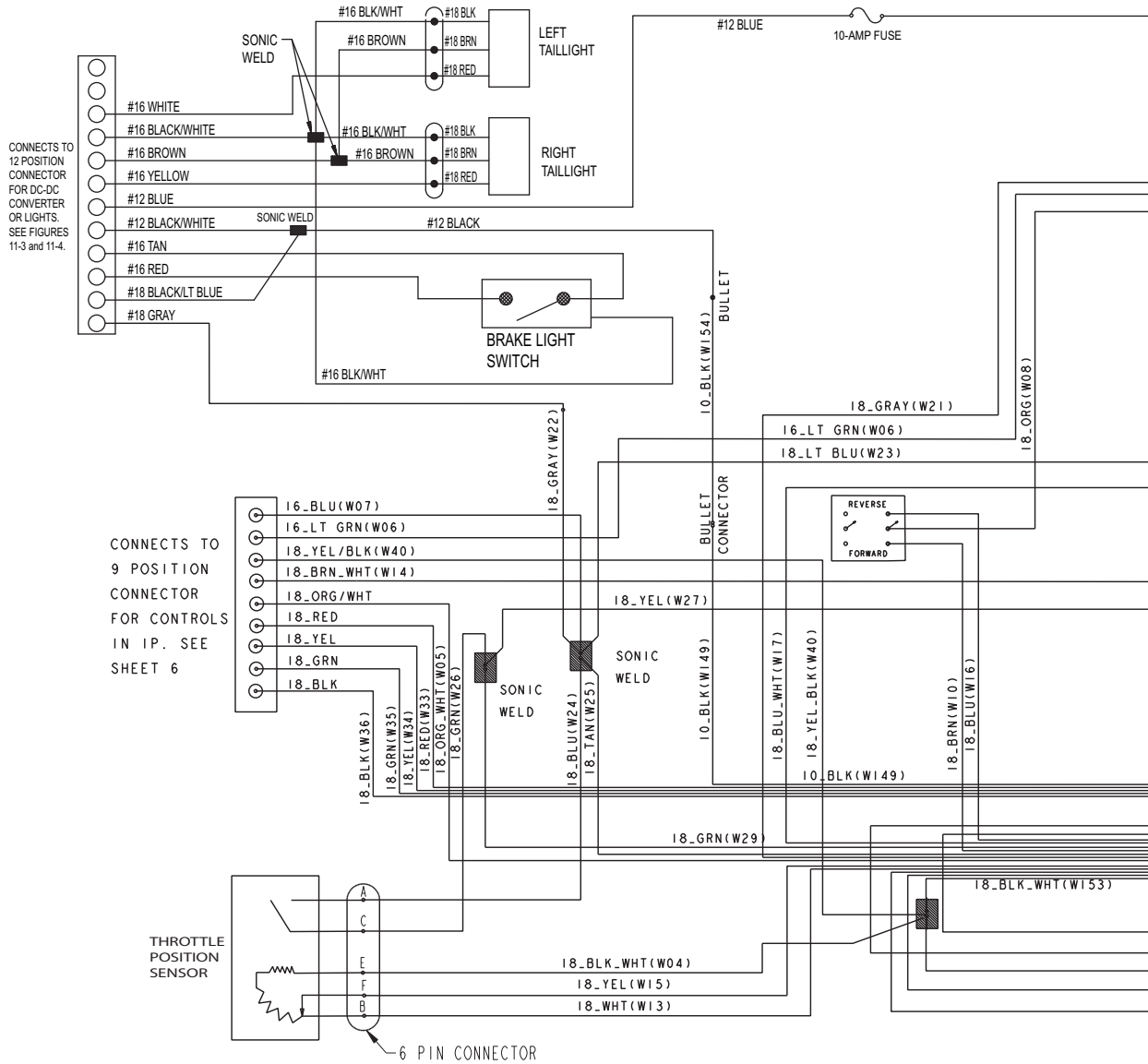
ITEM	PART NO.	DESCRIPTION	QTY
		1 2 3 4	
1	103683101	Kit, Gen 2 Pedal, Mcor, Excel and IQ (includes items 2 through 9)	1
2	102563101	Screw, Type A, #10	3
3	103327901	Kit, Mcor (includes item 4)	1
4	N/A	Mcor, Prec	1
5	103682701	Harness, Jumper, Mcor, Excel and IQ (includes items 6 and 7)	1
6	101920101	Kit, 3-Pin Wedge Lock	1
7	101936801	Kit, 2-Pin Wedge Lock	1
8	103744901	Adapter, Gen 2 Pedal, Mcor	1
9	103745001	Drive Bar, Gen 2 Pedal, Mcor	1
<p>Note: The MCOR incorporated at serial number 1009-082079. To replace it, use Item 3 kit. Note 2: The MCOR can also be installed in vehicles originally equipped with the throttle sensor, but the Item 1 kit is required to do so.</p>			

12

E

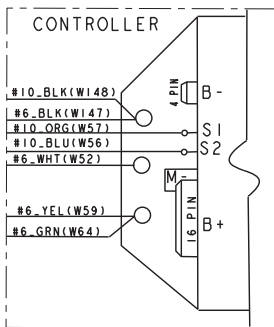
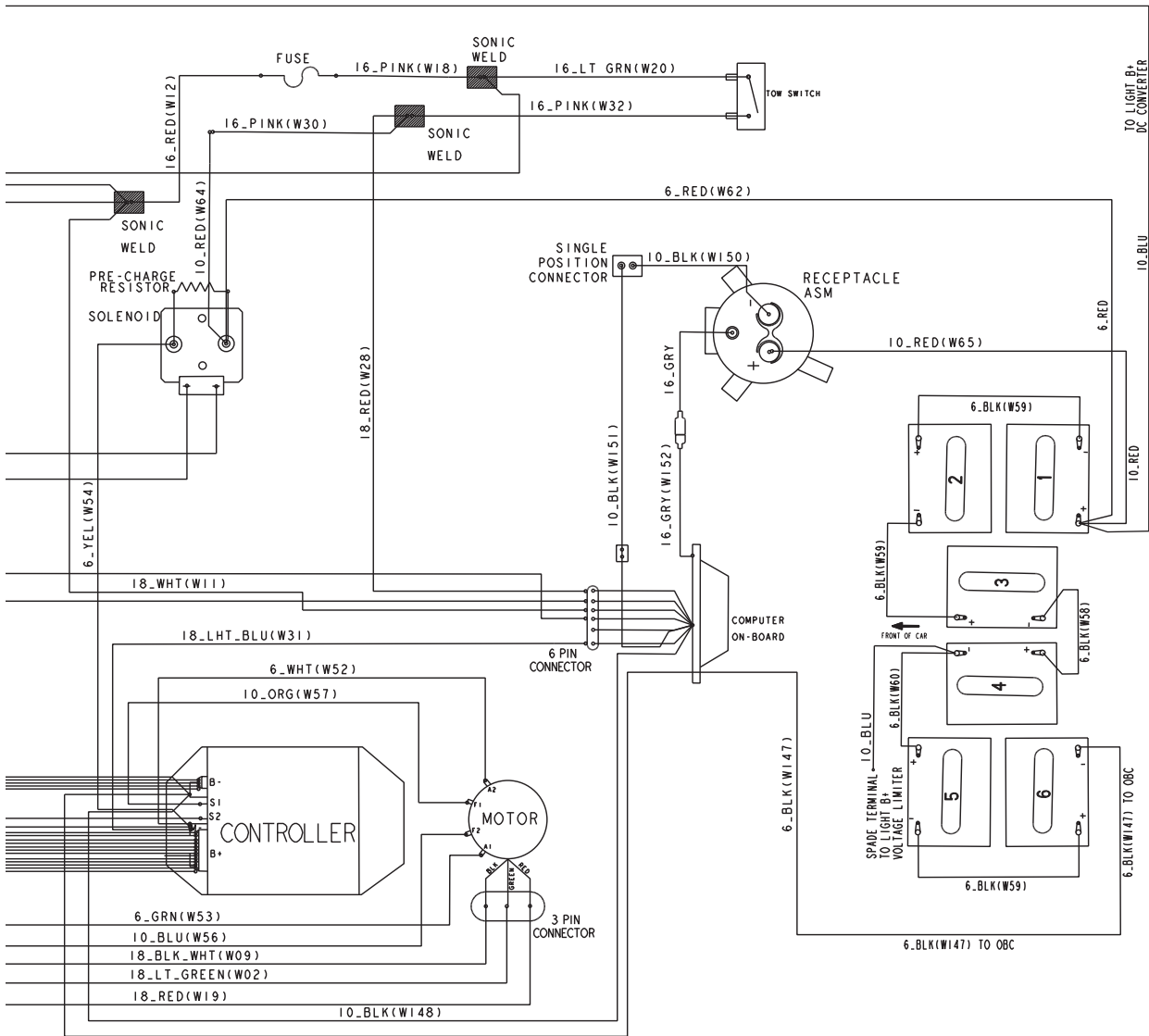
IQ SYSTEM (Gen 2 Pedal Group with Throttle Sensor)

E



000498-008

NOTE:
SOME WIRING / COMPONENTS SHOWN
ARE OPTIONAL ACCESSORIES



000498-008

12

E

See previous two pages for illustration.

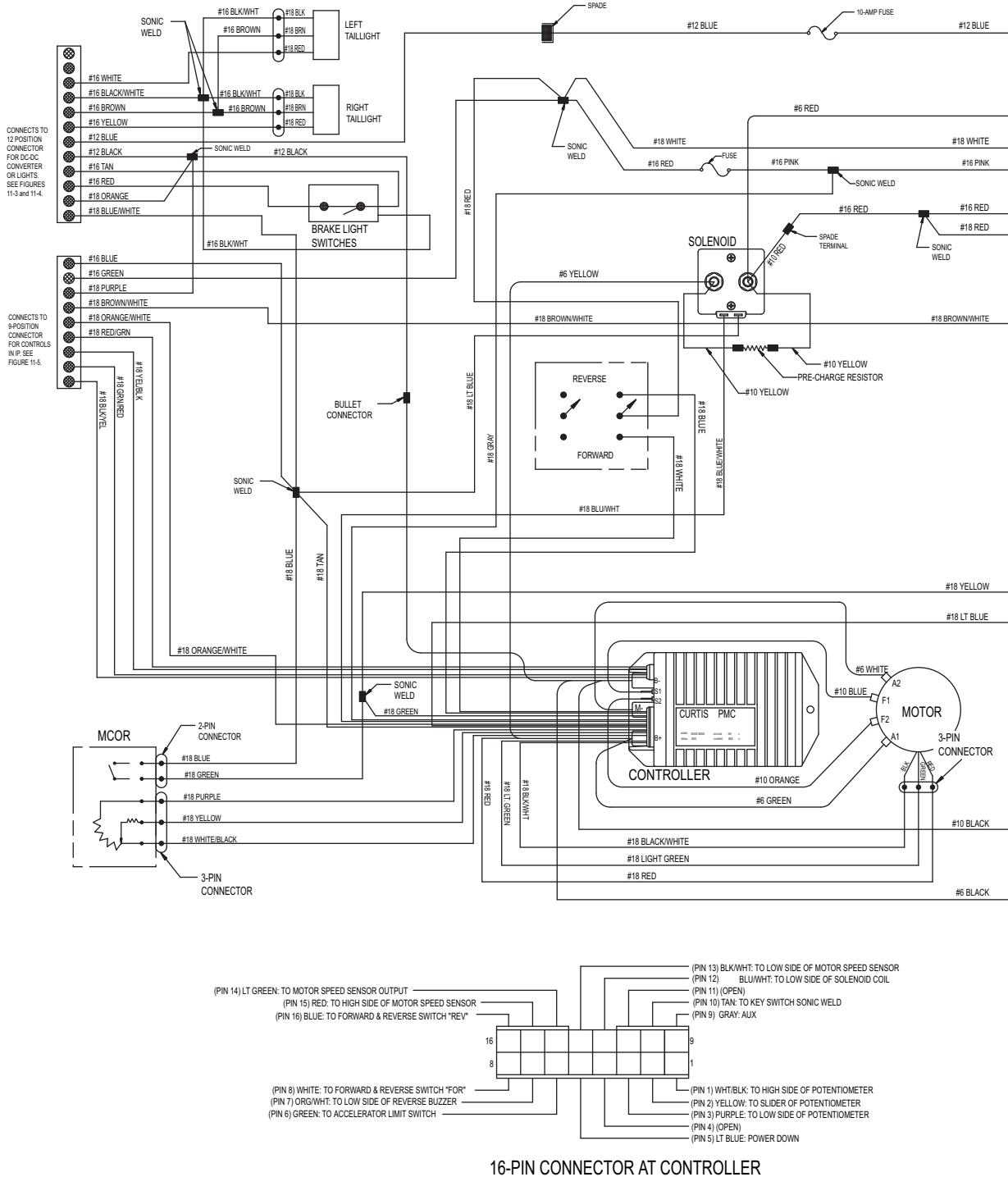
WIRING – IQ SYSTEM WITH THROTTLE SENSOR

ITEM	PART NO.	DESCRIPTION	QTY
		1 2 3 4	
1	102590001	Prec Ce Tow-switch Diode	1
2	103375702	Asm, Harness, Motor 1/4	1
3	103421801	Asm Harness Charger, Prec	1
4	103496901	Harness, Prec Iq, Main	1
		<p>Note: Item 1 is used on vehicles going to the European Union. Note 2: The throttle sensor was used in electric vehicles with serial numbers lower than 1009-082079.</p>	

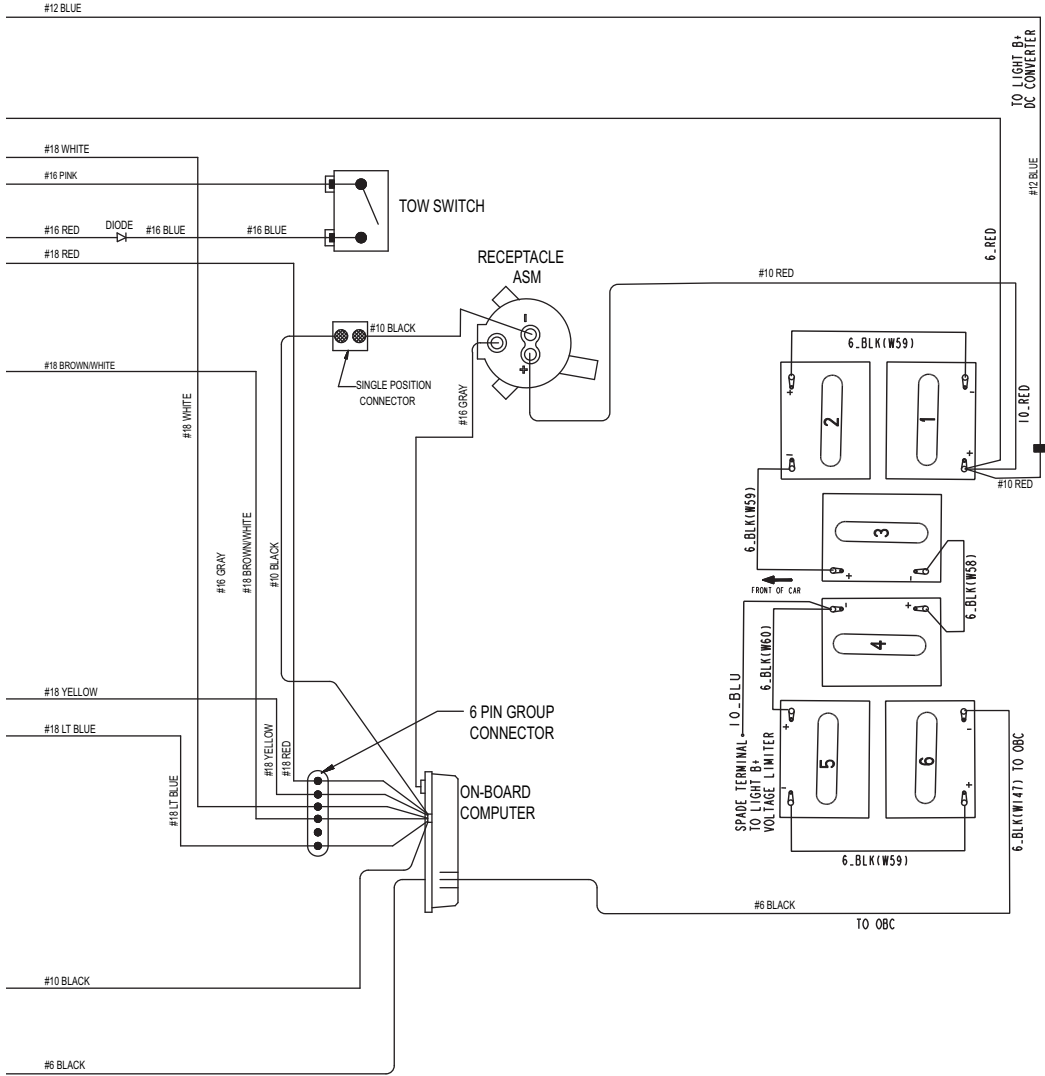
12

E

IQ SYSTEM (Gen 2 Pedal Group with MCOR)



000498-009



NOTE:
SOME WIRING / COMPONENTS SHOWN
ARE OPTIONAL ACCESSORIES

000498-009

12

E

See previous two pages for illustration.

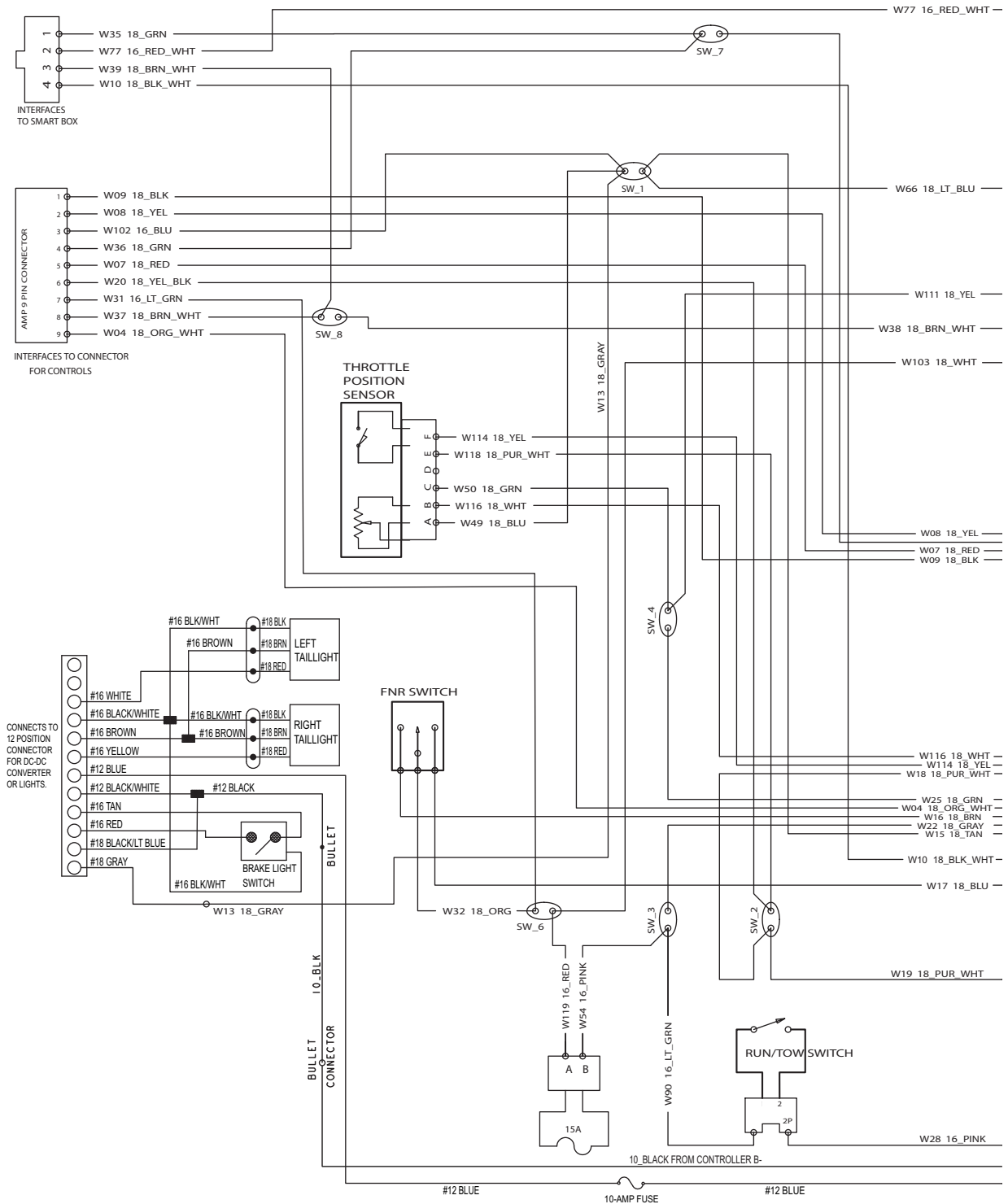
WIRING – IQ SYSTEM WITH MCOR

ITEM	PART NO.	DESCRIPTION	QTY
		1 2 3 4	
1	102590001	Prec Ce Tow-switch Diode	1
2	103374901	Wire Harness, Prec/restyle	1
3	103375702	Asm, Harness, Motor 1/4	1
4	103421801	Asm Harness Charger, Prec	1
<p>Note: Item 1 is used on vehicles going to the European Union. Note 2: The MCOR incorporated at serial number 1009-082079.</p>			

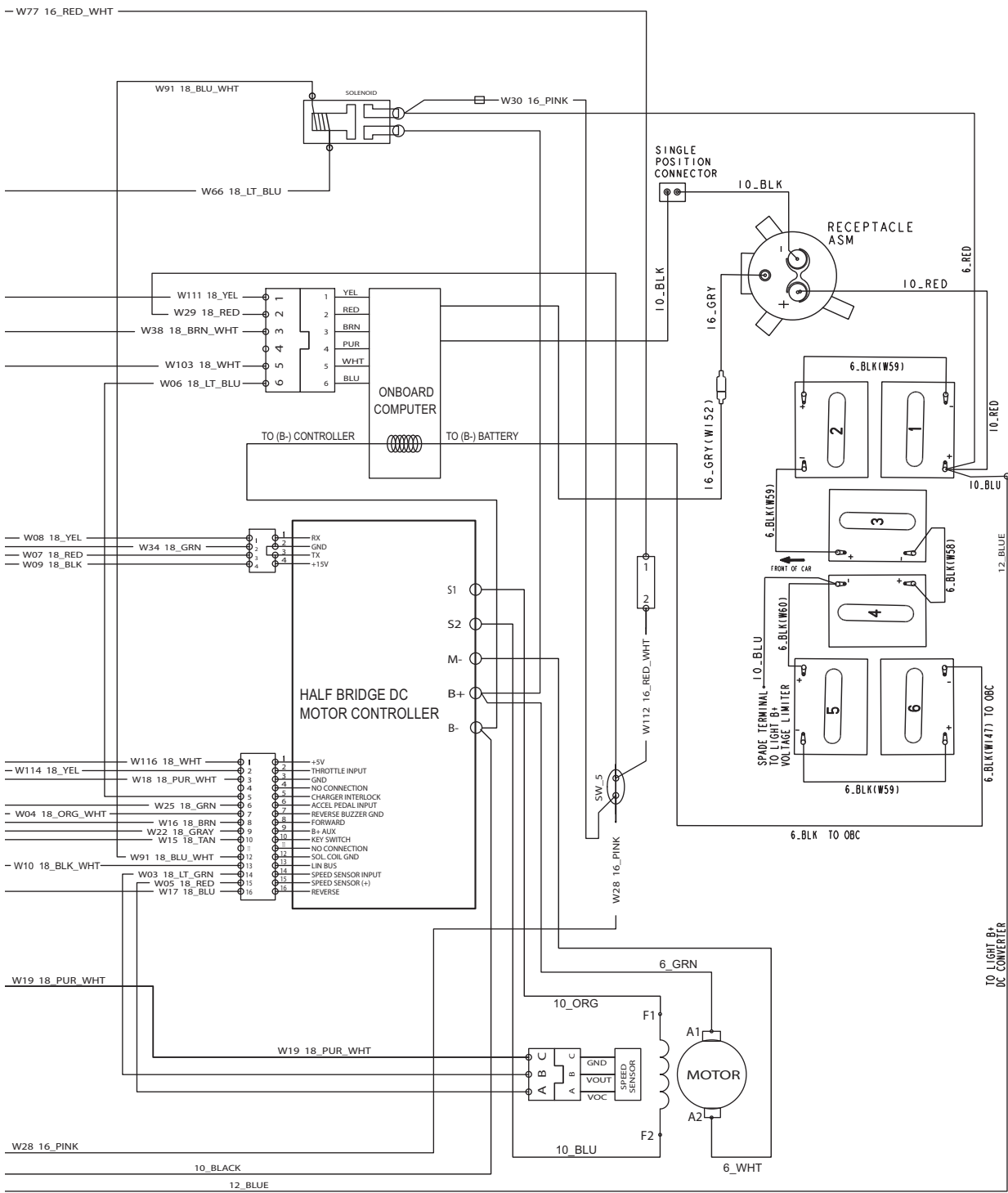
12

E

EXCEL SYSTEM (Gen 2 Pedal Group with Throttle Sensor)



000498-005



000498-005

12

E

See previous two pages for illustration.

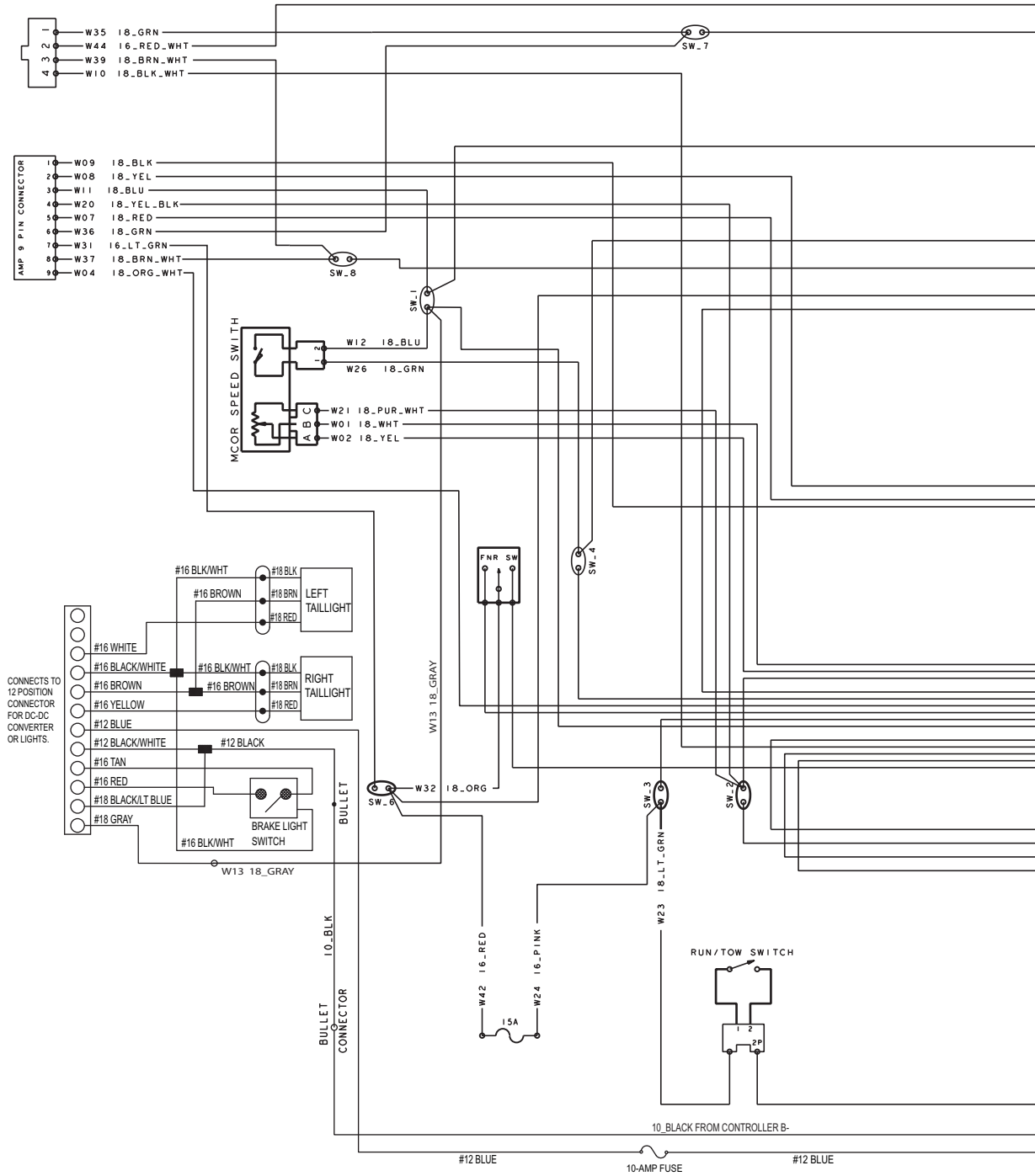
WIRING – EXCEL SYSTEM WITH THROTTLE SENSOR

ITEM	PART NO.	DESCRIPTION	QTY
		1 2 3 4	
1	103375702	Asm, Harness, Motor 1/4	1
2	103421801	Asm Harness Charger, Prec	1
3	103514801	Harness, Prec Excel, Main	1
		<p>Note: The throttle sensor was used in electric vehicles with serial numbers lower than 1009-082079.</p>	

12

E

EXCEL SYSTEM (Gen 2 Pedal Group with MCOR)



000498-007

12

E

See previous two pages for illustration.

WIRING – EXCEL SYSTEM WITH MCOR

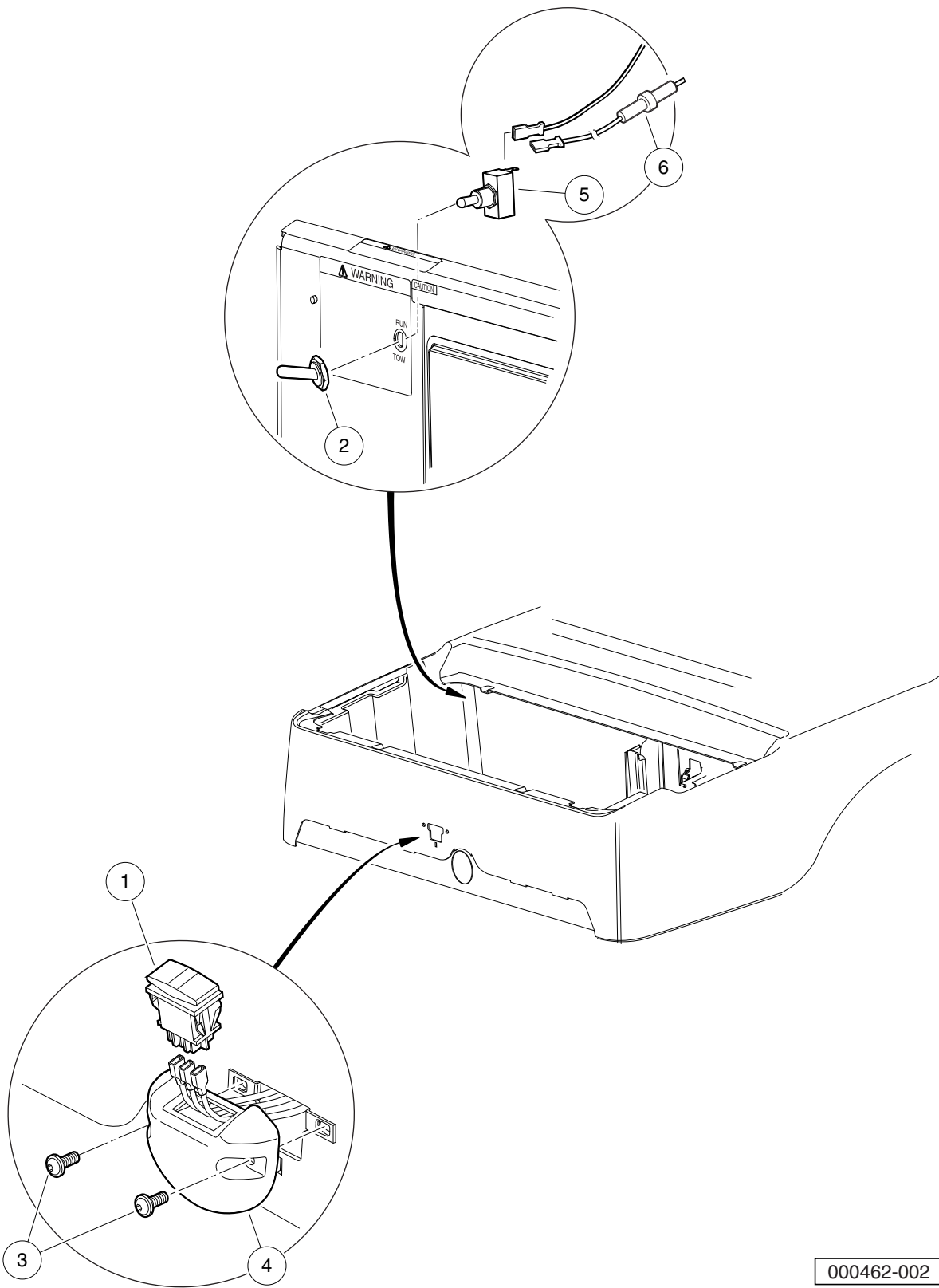
ITEM	PART NO.	DESCRIPTION	QTY
		1 2 3 4	
1	103375702	Asm, Harness, Motor 1/4	1
2	103403501	Harness, Main, Excel	1
3	103421801	Asm Harness Charger, Prec	1
		<p>Note: The MCOR incorporated at serial number 1009-082079.</p>	

12

E

12

E



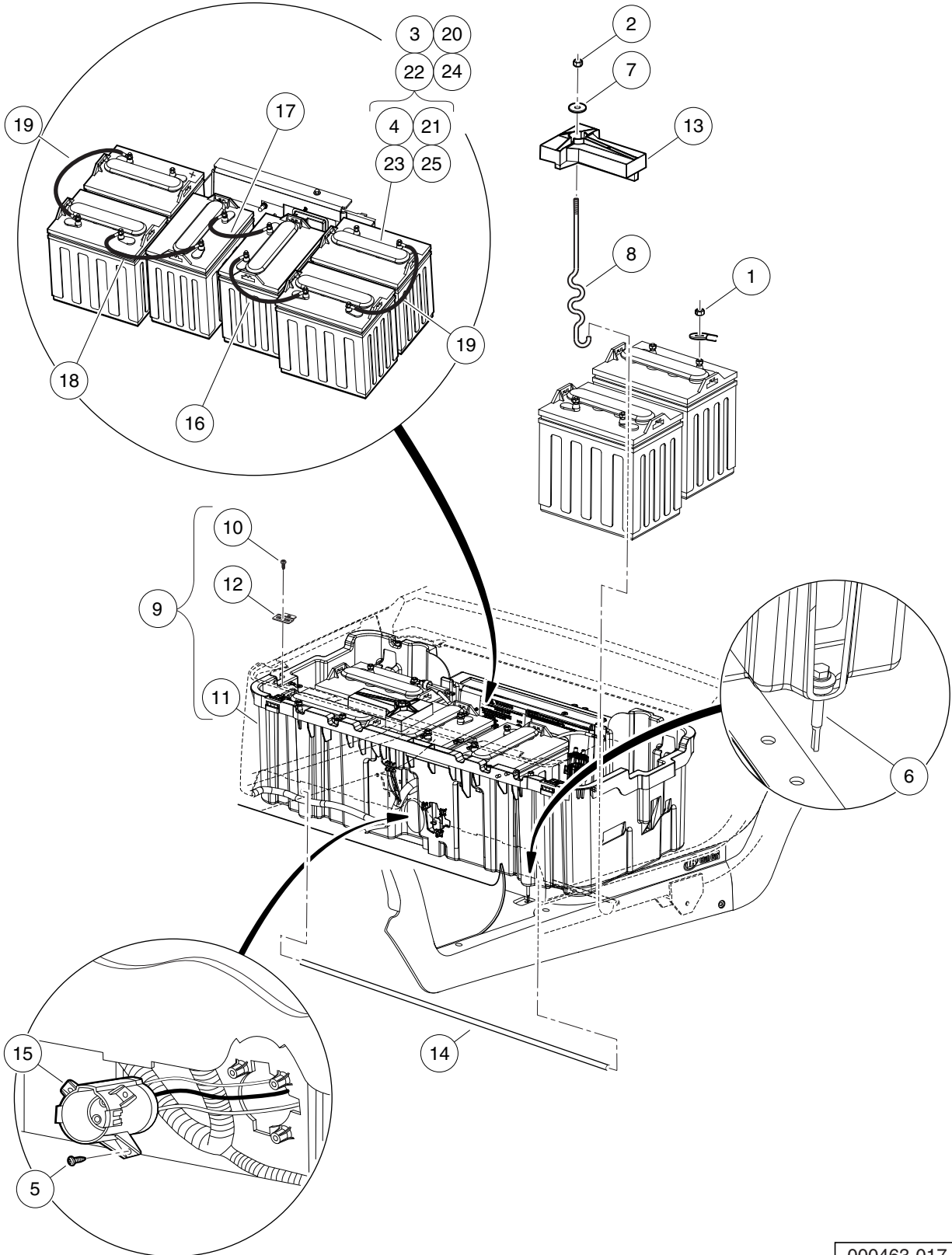
000462-002

FORWARD/REVERSE SWITCH AND TOW/RUN SWITCH

ITEM	PART NO.	DESCRIPTION	QTY
		1 2 3 4	
1	101856001	Switch, Rocker, Double-Pole	1
2	101908401	Boot, Switch	1
3	102296920	Screw, M6 Torx Bttm Hd Sems	2
4	102508401	Housing, FNR Electric	1
5	102511101	Switch, Tow	1
6	102538601	15 Amp Fuse	1

12

E



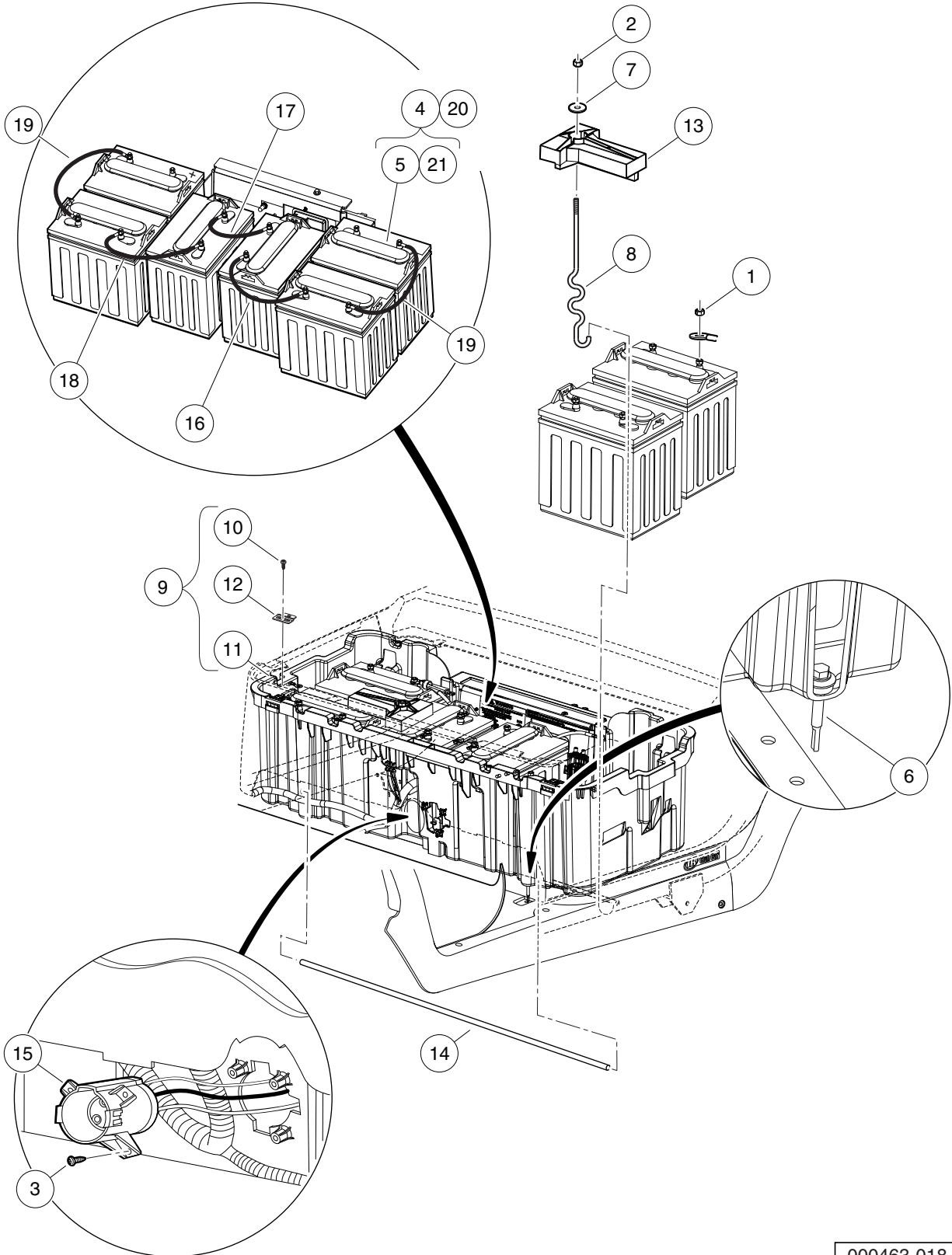
000463-017

BATTERIES, BUCKET, AND CHARGER RECEPTACLE – IQ AND EXCEL SYSTEMS, 8V

ITEM	PART NO.	DESCRIPTION	QTY
		1 2 3 4	
1	1014304	Nut, 5/16-18 Stainless-Steel Hex	12
2	1014555	Locknut, 7/16-14 Nylon Hex	2
3	101797701	Battery, 8-Volt, Trojan T875 (includes item 4)	6
4	101797801	Cap, 4-Gang Battery	1
5	101832001	Screw, #7-19 X 0.625 Phillips Pan-Head Tap	3
6	102292356	Screw-1/4-20x56 Hwh Self Drill	4
7	102491501	Washer Hard,m10	2
8	103357701	Bolt, Battery, "s" Hold-down	2
9	103368401	Asm, Bucket, Batt, Elec, Prec (includes items 10 through 12)	1
10	102298020	Screw, K80x20, Torx Pn Hd Pt	2
11	N/A	Bucket, Batt, Elec, Precedent	1
12	103368301	Hinge - Nested	2
13	103374801	Hold Down, Battery	2
14	103375301	Tube, Cross, Battery Rod	1
15	103375501	Asm, Prec Restyle Receptacle	1
16	103376001	Wire Asm #6 Blk, Prec/restyle	1
17	103647401	Wire Asm #6 Blk, 5"	1
18	103647402	Wire Asm #6 Blk, 12"	1
19	103647403	Wire Asm #6 Blk, 17"	2
20	103695801	Battery, 8-Volt, US Battery 8VGCXC (includes item 21)	6
21	103930201	Cap, Battery, Us 8v, Svc	1
22	103719701	Battery, 8-Volt, Crown CR165 (includes item 23)	6
23	103878401	Cap, Batt, 8v, Crown, Svc	1
24	103793001	Battery, 8-Volt, JCI GC8 (includes item 25)	6
25	103878401	Cap, Batt, 8v, Crown, Svc	1
26	8639	Tie Wrap, 11" Nylon	2
		<p>Note: Item 26 not shown. Note 2: JCI battery (item 24) uses Crown battery cap (item 25) to clear battery hold-down. Note 3: If item 20 (U.S. Battery) is used to replace any other brand of battery, the onboard computer must be changed to match. See Computer, Controller, and Solenoid pages.</p>	

12

E



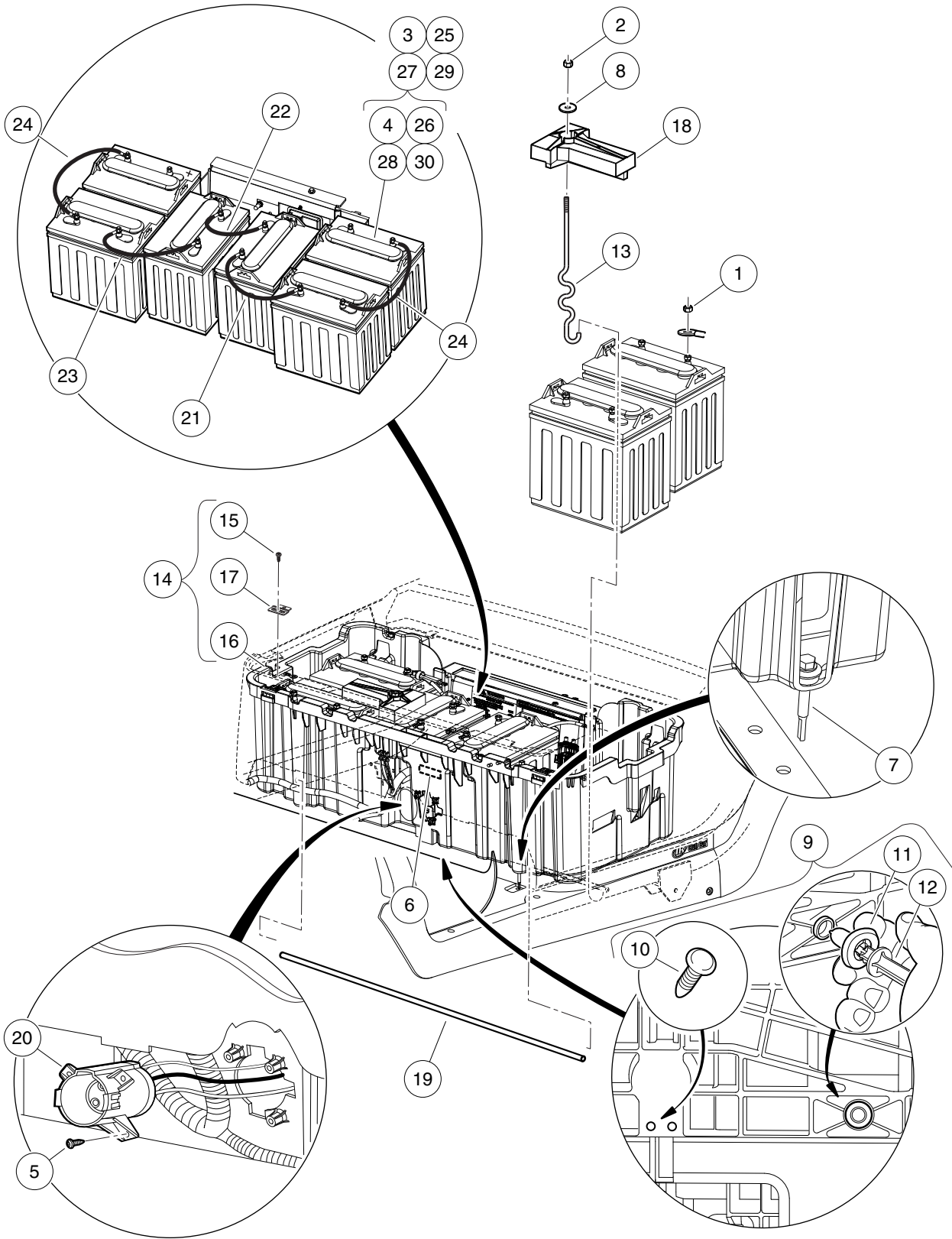
000463-018

BATTERIES, BUCKET, AND CHARGER RECEPTACLE – IQ AND EXCEL SYSTEMS, HEAVY DUTY 8V

ITEM	PART NO.	DESCRIPTION	QTY
		1 2 3 4	
1	1014304	Nut, 5/16-18 Stainless-Steel Hex	12
2	1014555	Locknut, 7/16-14 Nylon Hex	2
3	101832001	Screw, #7-19 X 0.625 Phillips Pan-Head Tap	3
4	101964201	Battery, 8v Trojan T890 (Wet) (includes item 5)	6
5	101797801	Cap, 4-Gang Battery	1
6	102292356	Screw-1/4-20x56 Hwh Self Drill	4
7	102491501	Washer Hard,m10	2
8	103357701	Bolt, Battery, "s" Hold-down	2
9	103368401	Asm, Bucket, Batt, Elec, Prec (includes items 10 through 12)	1
10	102298020	Screw, K80x20, Torx Pn Hd Pt	2
11	N/A	Bucket, Batt, Elec, Precedent	1
12	103368301	Hinge - Nested	2
13	103374801	Hold Down, Battery	2
14	103375301	Tube, Cross, Battery Rod	1
15	103375501	Asm, Prec Restyle Receptacle	1
16	103376001	Wire Asm #6 Blk, Prec/restyle	1
17	103647401	Wire Asm #6 Blk, 5"	1
18	103647402	Wire Asm #6 Blk, 12"	1
19	103647403	Wire Asm #6 Blk, 17"	2
20	103719801	Battery, 8-Volt, Crown CR190 (includes item 21)	6
21	103878401	Cap, Batt, 8v, Crown, Svc	1
22	8639	Tie Wrap, 11" Nylon	2
		Note: Item 22 not shown.	

12

E



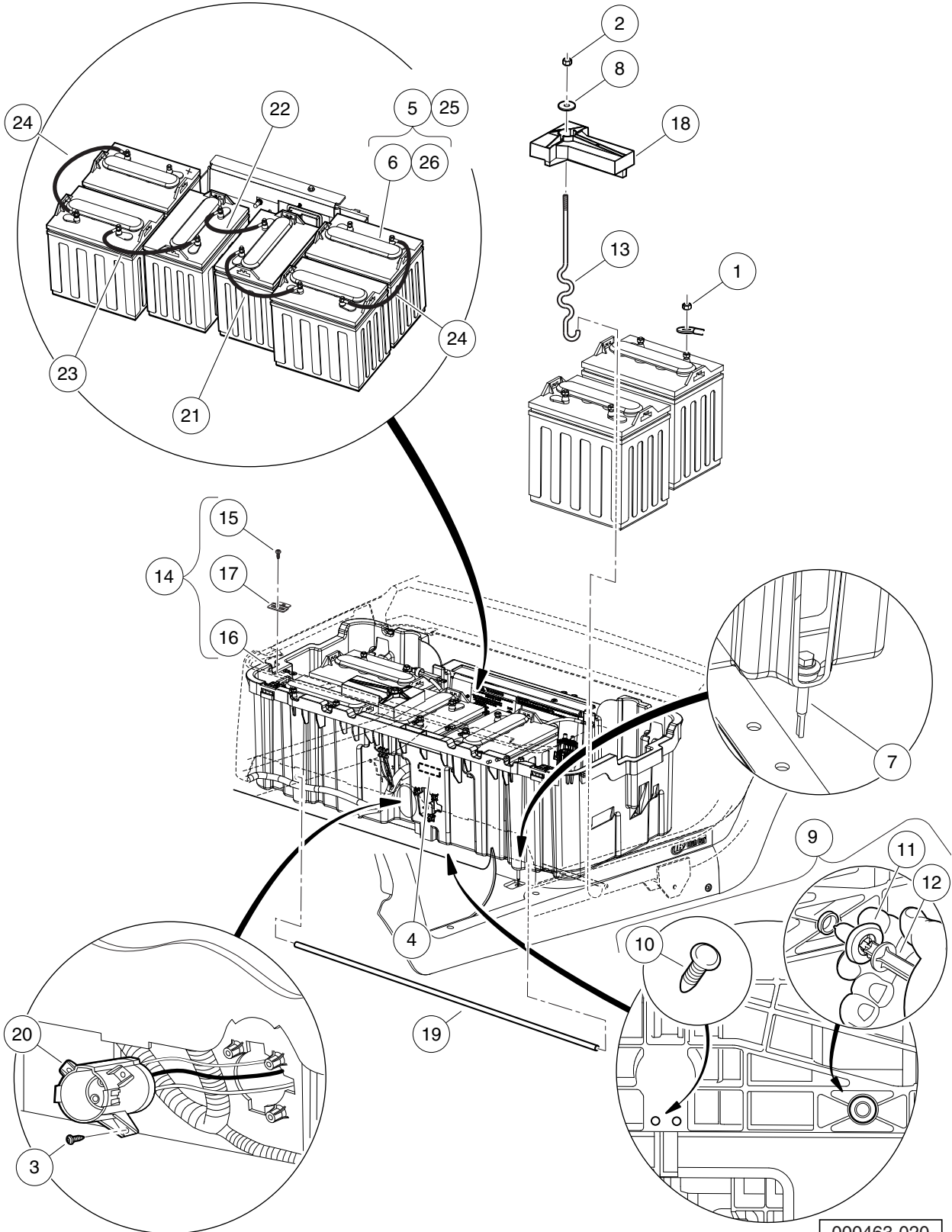
000463-019

BATTERIES, BUCKET, AND CHARGER RECEPTACLE – IQ AND EXCEL SYSTEMS, CE, 8V

12

E

ITEM	PART NO.	DESCRIPTION	QTY
		1 2 3 4	
1	1014304	Nut, 5/16-18 Stainless-Steel Hex	12
2	1014555	Locknut, 7/16-14 Nylon Hex	2
3	101797701	Battery, 8-Volt, Trojan T875 (includes item 4)	6
4	101797801	Cap, 4-Gang Battery	1
5	101832001	Screw, #7-19 X 0.625 Phillips Pan-Head Tap	3
6	101865805	Ce - Decal	1
7	102292356	Screw-1/4-20x56 Hwh Self Drill	4
8	102491501	Washer Hard,m10	2
9	102571202	Kit Ce Plug - Bucket Elec (includes items 10 through 12)	1
10	1010434	Barrel - Plastic	2
11	N/A	Plug, 1/2", CE Bucket	6
12	N/A	Install Tool, CE Bucket Plug	1
13	103357701	Bolt, Battery, "s" Hold-down	2
14	103368401	Asm, Bucket, Batt, Elec, Prec (includes items 15 through 17)	1
15	102298020	Screw, K80x20, Torx Pn Hd Pt	2
16	N/A	Bucket, Batt, Elec, Precedent	1
17	103368301	Hinge - Nested	2
18	103374801	Hold Down, Battery	2
19	103375301	Tube, Cross, Battery Rod	1
20	103375501	Asm, Prec Restyle Receptacle	1
21	103376001	Wire Asm #6 Blk, Prec/restyle	1
22	103647401	Wire Asm #6 Blk, 5"	1
23	103647402	Wire Asm #6 Blk, 12"	1
24	103647403	Wire Asm #6 Blk, 17"	2
25	103695801	Battery, 8-Volt, US Battery 8VGCXC (includes item 26)	6
26	103930201	Cap, Battery, Us 8v, Svc	1
27	103719701	Battery, 8-Volt, Crown CR165 (includes item 28)	6
28	103878401	Cap, Batt, 8v, Crown, Svc	1
29	103793001	Battery, 8-Volt, JCI GC8 (includes item 30)	6
30	103878401	Cap, Batt, 8v, Crown, Svc	1
31	8639	Tie Wrap, 11" Nylon	2
<p>Note: Item 31 not shown. Note 2: The CE-specific parts shown are required for vehicles sold in the European Union. Note 3: JCI battery (item 29) uses Crown battery cap (item 30) to clear battery hold-down. Note 4: If item 25 (U.S. Battery) is used to replace any other brand of battery, the onboard computer must be changed to match. See Computer, Controller, and Solenoid pages.</p>			



000463-020

BATTERIES, BUCKET, AND CHARGER RECEPTACLE – IQ AND EXCEL SYSTEMS, HEAVY DUTY 8V, CE

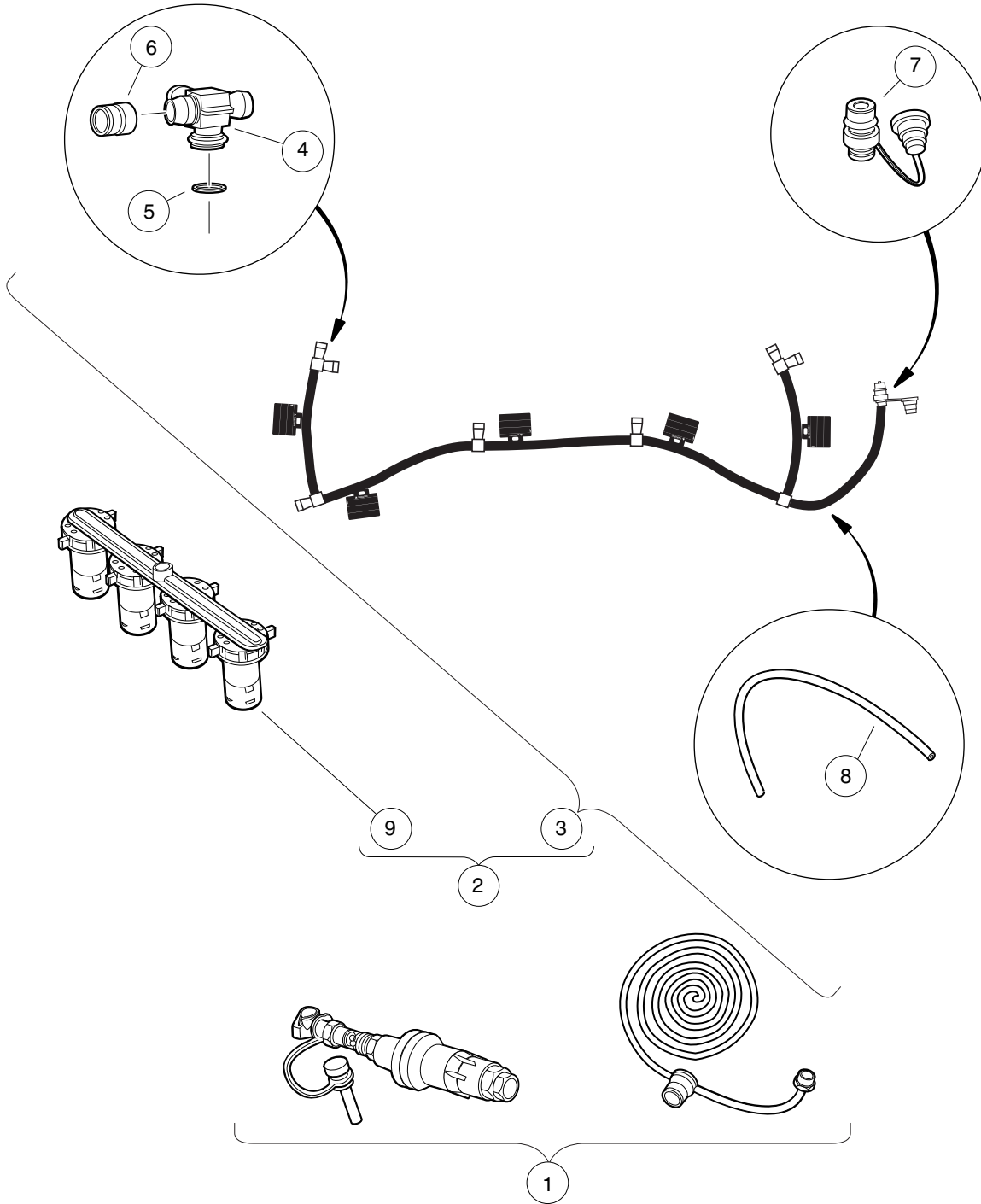
ITEM	PART NO.	DESCRIPTION	QTY
		1 2 3 4	
1	1014304	Nut, 5/16-18 Stainless-Steel Hex	12
2	1014555	Locknut, 7/16-14 Nylon Hex	2
3	101832001	Screw, #7-19 X 0.625 Phillips Pan-Head Tap	3
4	101865805	Ce - Decal	1
5	101964201	Battery, 8v Trojan T890 (Wet) (includes item 6)	6
6	101797801	Cap, 4-Gang Battery	1
7	102292356	Screw-1/4-20x56 Hwh Self Drill	4
8	102491501	Washer Hard,m10	2
9	102571202	Kit Ce Plug - Bucket Elec (includes items 10 through 12)	1
10	1010434	Barrel - Plastic	2
11	N/A	Plug, 1/2", CE Bucket	6
12	N/A	Install Tool, CE Bucket Plug	1
13	103357701	Bolt, Battery, "s" Hold-down	2
14	103368401	Asm, Bucket, Batt, Elec, Prec (includes items 15 through 17)	1
15	102298020	Screw, K80x20, Torx Pn Hd Pt	2
16	N/A	Bucket, Batt, Elec, Precedent	1
17	103368301	Hinge - Nested	2
18	103374801	Hold Down, Battery	2
19	103375301	Tube, Cross, Battery Rod	1
20	103375501	Asm, Prec Restyle Receptacle	1
21	103376001	Wire Asm #6 Blk, Prec/restyle	1
22	103647401	Wire Asm #6 Blk, 5"	1
23	103647402	Wire Asm #6 Blk, 12"	1
24	103647403	Wire Asm #6 Blk, 17"	2
25	103719801	Battery, 8-Volt, Crown CR190 (includes item 26)	6
26	103878401	Cap, Batt, 8v, Crown, Svc	1
27	8639	Tie Wrap, 11" Nylon	2
<p>Note: Item 27 not shown. Note 2: The CE-specific parts shown are required for vehicles sold in the European Union.</p>			

12

E

12

E



000731-006

SINGLE POINT WATERING SYSTEM, 8V TROJAN

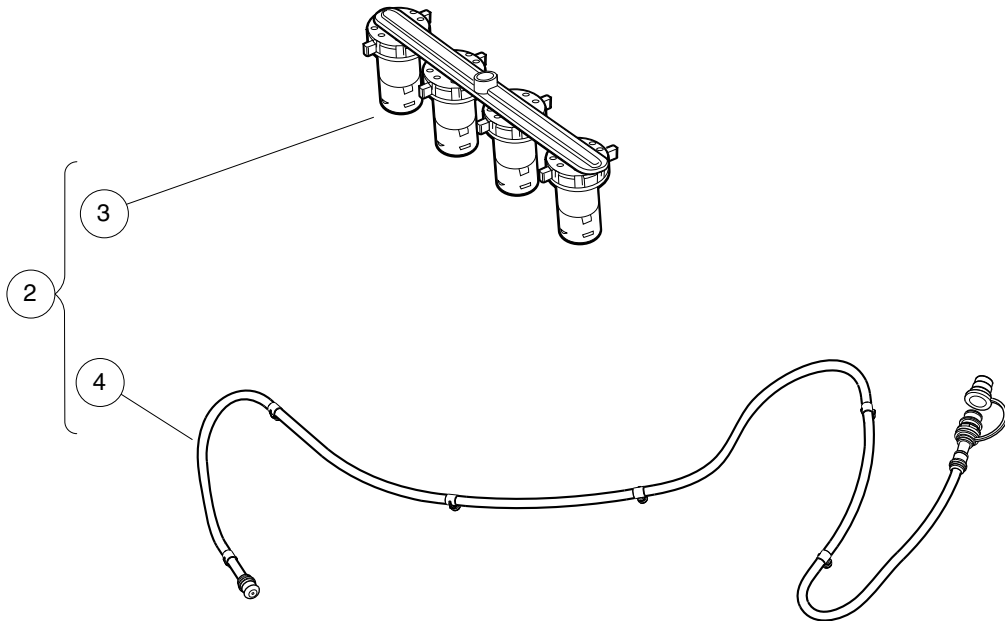
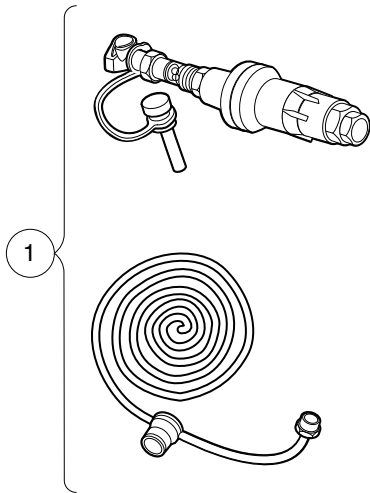
ITEM	PART NO.	DESCRIPTION	QTY
		1 2 3 4	
1	102958001	Kit Regulated Hose Sply Spws	1
2	103395501	Kit, Spws F/r, Prec/res, 8v (includes items 3 through 9)	1
3	103395401	Asm Tube Spws Prec/res, 8v (includes items 4 through 8)	1
4	103226201	Fitting Spws Swivel T	6
5	103226301	O-ring Spws Swivel T	6
6	103226401	Cap Spws Swivel T Red	7
7	103226601	Coupler Male Spws Supply	1
8	103226701	Tubing Spws	1
9	103395701	Manifold, 4 Valve Spw	6
		Note: For Trojan 8-Volt batteries only.	

12

E

12

E



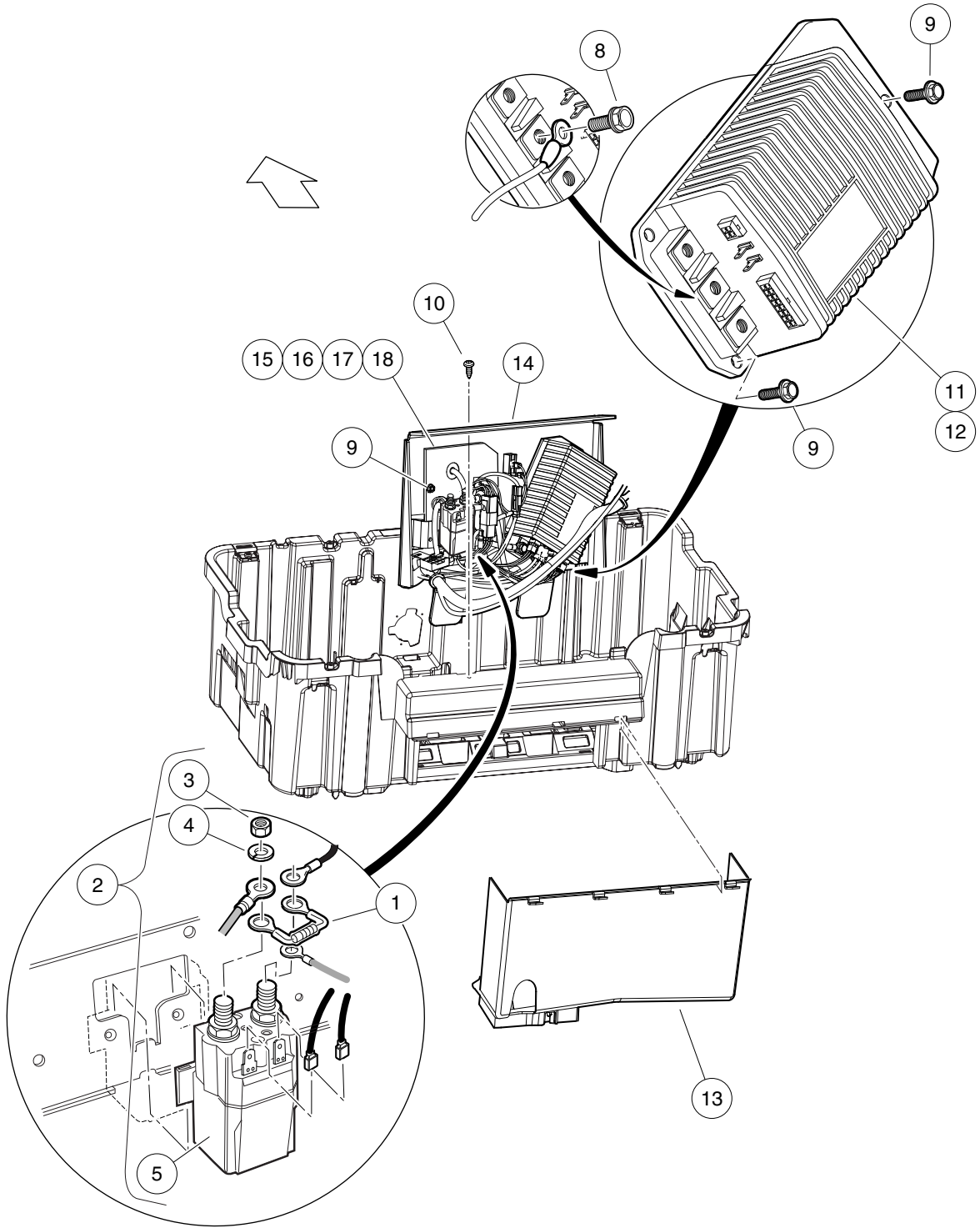
000731-007

SINGLE POINT WATERING SYSTEM, 8V US, CROWN & JCI

ITEM	PART NO.	DESCRIPTION	QTY
		1 2 3 4	
1	102958001	Kit Regulated Hose Sply Spws	1
2	103395505	Kit, Spws, Prec, 8 Volt Non-Trojan (includes items 3 and 4)	1
3	103510602	Spws, Manifold Asm, 8v Non-Trojan	6
4	103774701	Spws, Hose 8v Non-trojan	1
		Note: For U.S. Battery, Crown and JCI 8-Volt batteries only.	

12

E



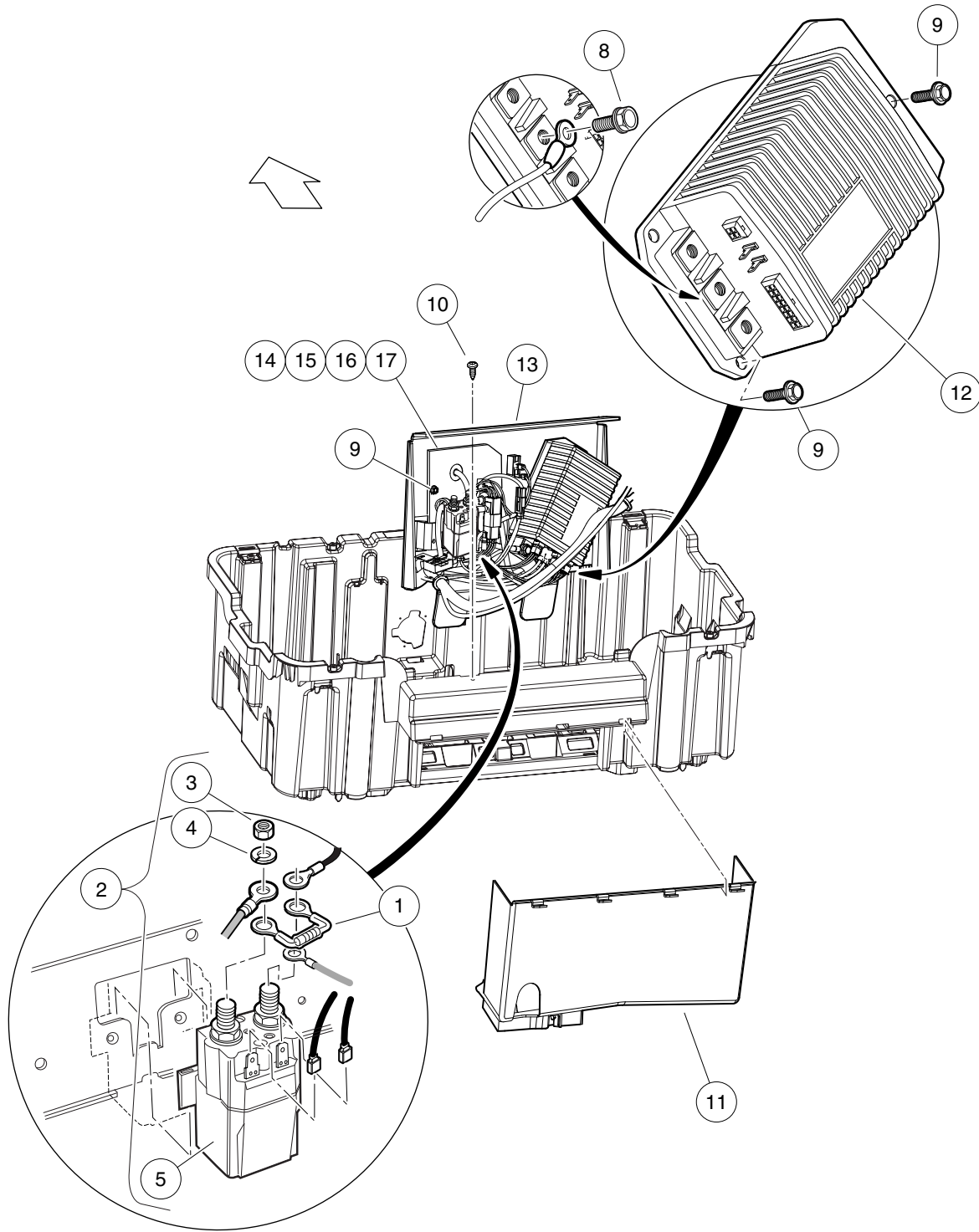
000486-008

COMPUTER, CONTROLLER, AND SOLENOID – IQ SYSTEM

ITEM	PART NO.	DESCRIPTION	QTY
		1 2 3 4	
1	1014947	Resistor Assembly	1
2	101908701	Solenoid, 48-Volt (includes items 3 through 7)	1
3	1012528	Nut, M8-1.25 Hex	2
4	1013734	Lockwasher, 8mm Split	2
5	N/A	Solenoid, 48-Volt	1
6	N/A	Washer, Lock	2
7	N/A	Nut	2
8	102240501	Bolt, Controller, Terminal	3
9	102296716	Screw, M6 X 16 Tt Hx Fl Hd	11
10	102298020	Screw, K80x20, Torx Pn Hd Pt	1
11	102806201	Controller, IQ, 48-volt	1
12	102806203	Controller, 48v Iq Golf, Ce	1
13	103367901	Shield - Controller	1
14	103639401	Component Mounting Plate, Cast	1
15	103702601	Obc, Prec V5.0 8v/12v, A1, 6 Ga. Wire	1
16	103702602	Obc, Prec V5.0 8v/12v, A1, 4 Ga. Wire	1
17	103702603	Obc, Prec V5.0 8v/12v, A2, 6 Ga. Wire	1
18	103702604	Obc, Prec V5.0 8v/12v, A2, 4 Ga. Wire	1
<p>Note: Item 12 is for vehicles sold in the European Union. Note 2: Items 15 and 16 must be used with Trojan, Crown, and JCI brand batteries. Items 17 and 18 must be used with US Battery brand batteries.</p>			

12

E



000486-009

COMPUTER, CONTROLLER, AND SOLENOID – EXCEL SYSTEM

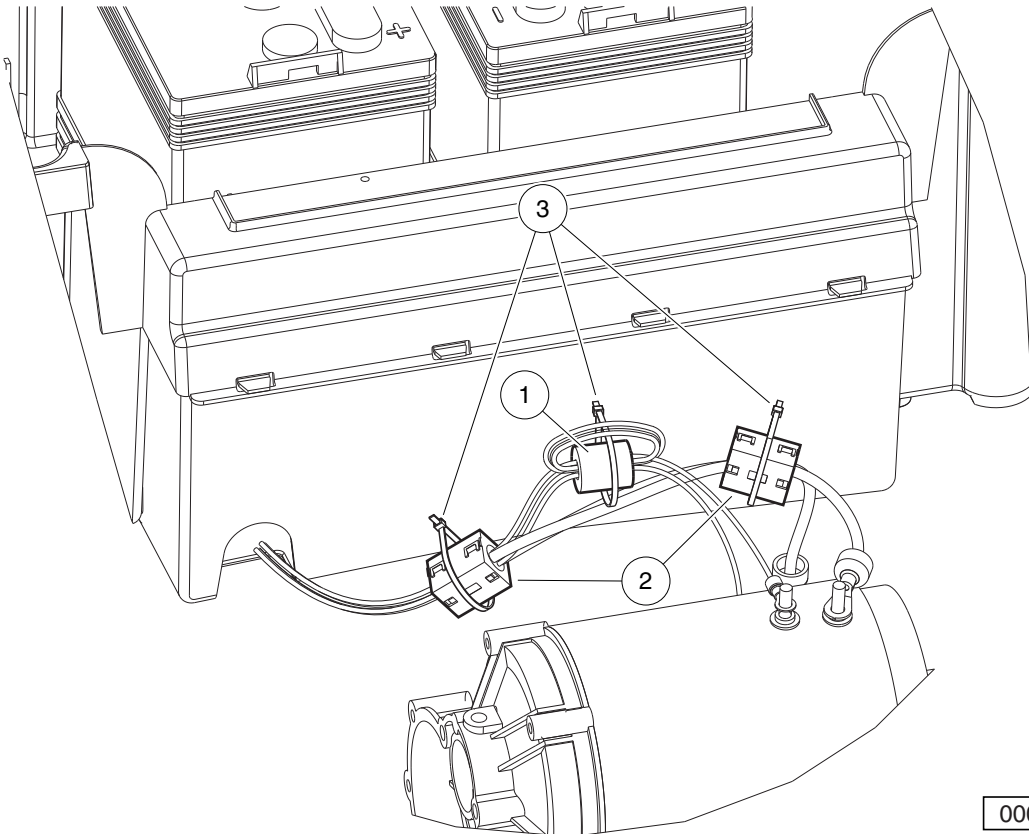
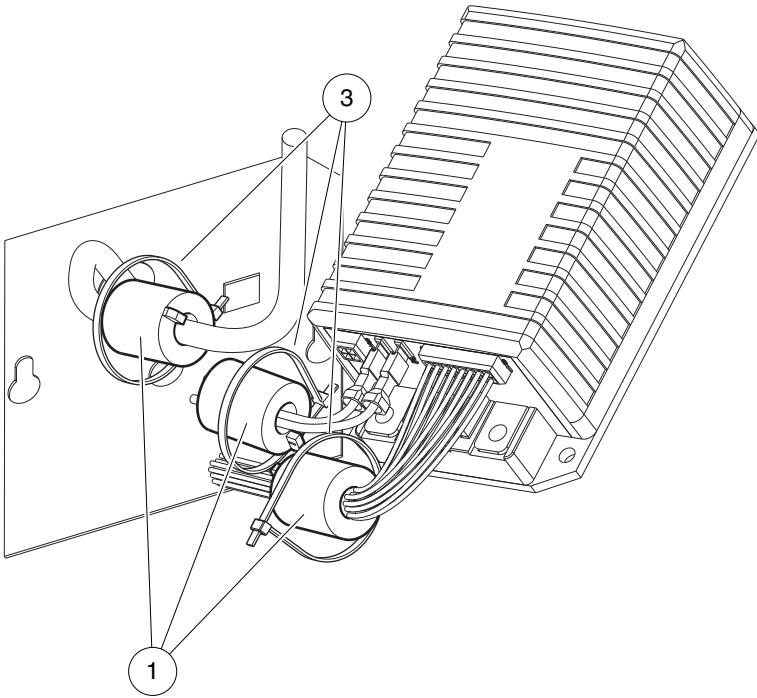
ITEM	PART NO.	DESCRIPTION	QTY
		1 2 3 4	
1	1014947	Resistor Assembly	1
2	101908701	Solenoid, 48-Volt (includes items 3 through 7)	1
3	1012528	Nut, M8-1.25 Hex	2
4	1013734	Lockwasher, 8mm Split	2
5	N/A	Solenoid, 48-Volt	1
6	N/A	Washer, Lock	2
7	N/A	Nut	2
8	102240501	Bolt, Controller, Terminal	3
9	102296716	Screw, M6 X 16 Tt Hx Fl Hd	11
10	102298020	Screw, K80x20, Torx Pn Hd Pt	1
11	103367901	Shield - Controller	1
12	103403402	Controller, 1515 Non-std	1
13	103639401	Component Mounting Plate, Cast	1
14	103702601	Obc, Prec V5.0 8v/12v, A1, 6 Ga. Wire	1
15	103702602	Obc, Prec V5.0 8v/12v, A1, 4 Ga. Wire	1
16	103702603	Obc, Prec V5.0 8v/12v, A2, 6 Ga. Wire	1
17	103702604	Obc, Prec V5.0 8v/12v, A2, 4 Ga. Wire	1
<p>Note: Items 14 and 15 must be used with Trojan, Crown, and JCI brand batteries. Items 16 and 17 must be used with US Battery brand batteries.</p>			

12

E

12

E



000970-001

CE FERRITE BEADS (IQ SYSTEM)

ITEM	PART NO.	DESCRIPTION	QTY
		1 2 3 4	
1	103449501	Bead, Ferrite, Tdk	4
2	103449601	Bead, Ferrite, Fair-rite	2
3	8990	Tie Wrap, 8" Nylon	8
<p style="margin-left: 40px;">Note: The Excel System is CE compliant in the European Union without the use of ferrite beads.</p>			

12

E

12

E

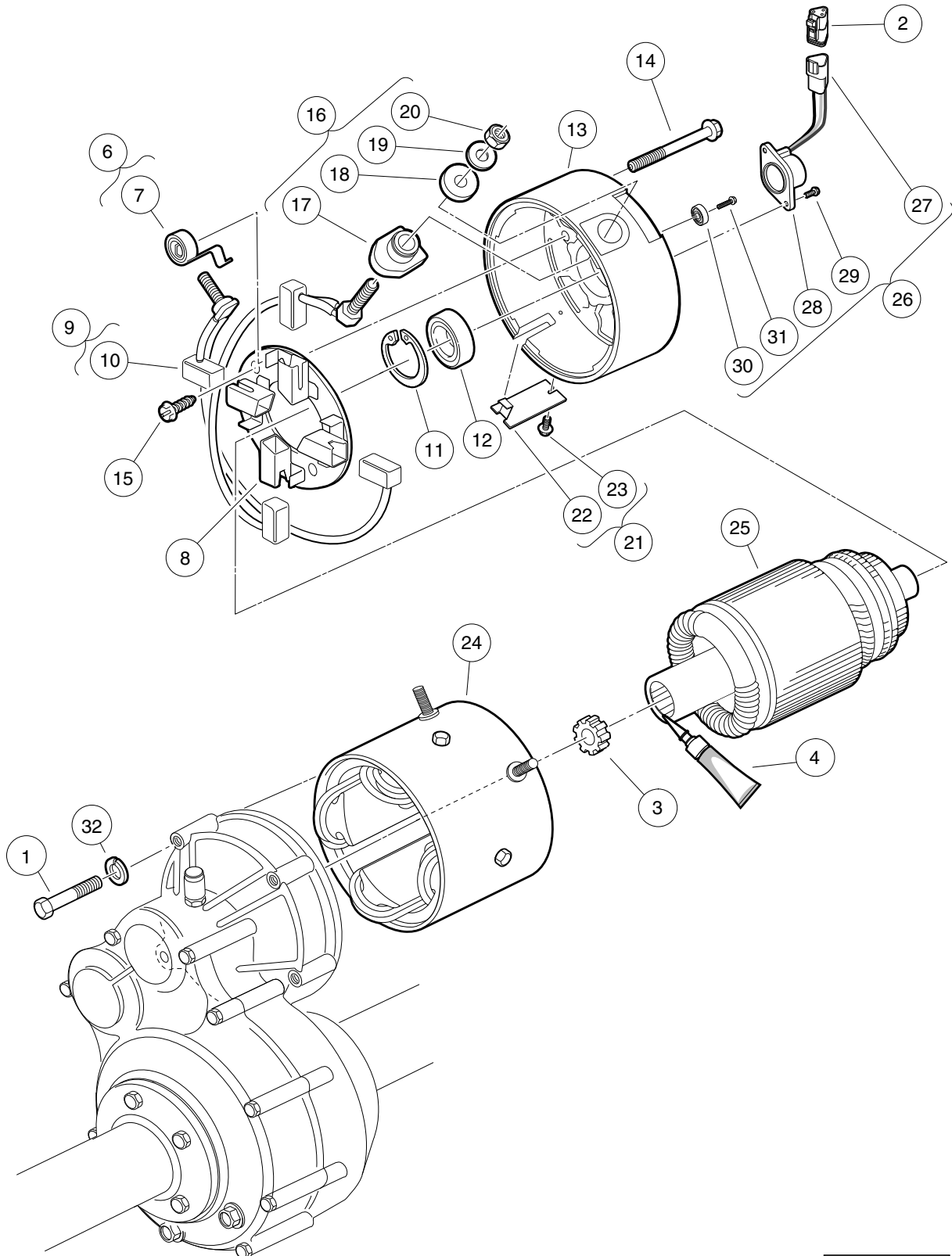
ELECTRIC MOTOR

13

E

13

E



000185-002

MOTOR (MODEL EJ8-4001A) – ELECTRIC VEHICLE

ITEM	PART NO.	DESCRIPTION	QTY
		1 2 3 4	
1	1014201	Screw, 1/4-20 X 2.25 Hex Cap	3
2	101920101	Kit, 3-Pin Wedge Lock	1
3	102235201	Bumper, Drive Unit	1
4	102243403	Lubricant, Moly-Teflon (Single-Use Tube)	1
5	103572501	IQ Electric Motor, 48-VDC 3.3 hp (includes items 6 through 26)	1
6	102186001	Spring Kit, Motor Brush (includes item 7)	1
7	N/A	Spring, Brush, S-g	4
8	102186101	Brush Box Assembly	1
9	102186201	Brush Kit, Motor (includes item 10)	1
10	N/A	Assembly, Brush and Terminal	2
11	102186301	Ring, 2.24" Internal Retaining	1
12	102186401	Bearing, Ball	1
13	102186701	End Cap, Motor	1
14	N/A	Screw, 1/4-20 X 2.25 Hex-Head Washer	2
15	102186901	Screw, #8-32 X .5 Hex-Head	2
16	102187101	Hardware Kit, Motor Terminal (includes items 17 through 20)	2
17	N/A	Bushing, Nylon	2
18	N/A	Washer, Nylon Flat	2
19	N/A	Washer, Flat, 5/16 Steel	2
20	N/A	Nut, Brass Hex, 5/16 - 18	2
21	102187201	Plate Kit, Motor Cover (includes items 22 and 23)	1
22	N/A	Assembly, Cover Plate	1
23	N/A	Screw, #8-32 x 0.375, Taptite Thread	1
24	102704701	Frame and Field Assembly	1
25	102704801	Armature Assembly	1
26	102704901	Kit, Speed Sensor (includes items 27 through 31)	1
27	101942301	Kit, 3-Pin Wedge Lock	1
28	N/A	Sensor, Motor Speed, ADC	1
29	N/A	Screw, #8-32, Taptite Thread	2
30	N/A	Magnet, ADC Motor	1
31	N/A	Screw, 1/4-20 x 0.5	1
32	451	Lockwasher, 1/4 Split	3
		Note: The F1 and F2 terminal posts on the EJ8-4001A motor have 1/4 - 20 thread.	

13

E

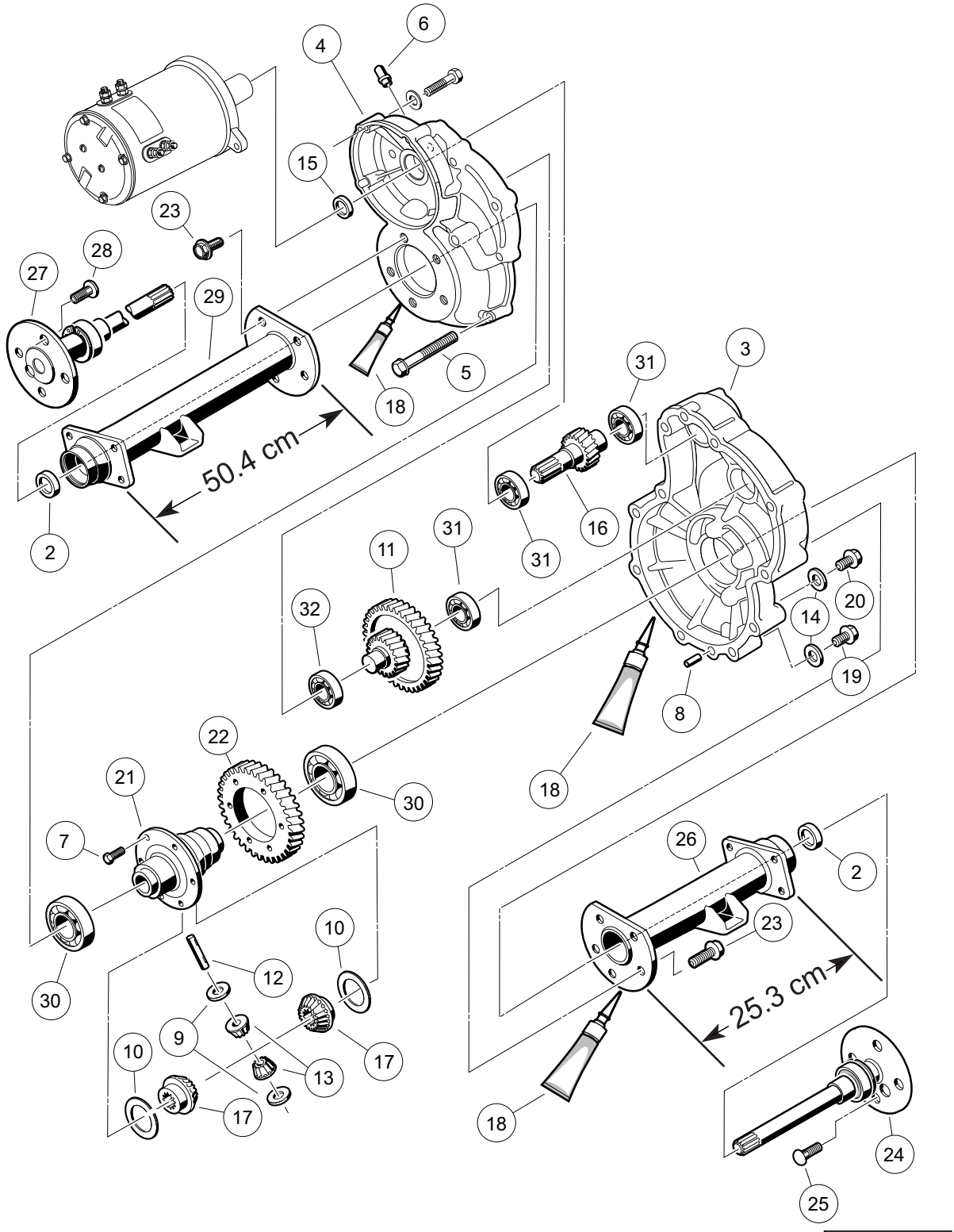
13

E

TRANSAXLE – ELECTRIC VEHICLES

14

E



000223-002

TRANSAXLE – ELECTRIC VEHICLES

ITEM	PART NO.	DESCRIPTION	QTY
		1 2 3 4	
1	102771701	Transaxle, Electric (includes items 2 through 32)	1
2	1013794	Axle Shaft Oil Seal	2
3	101895401	Gear Case, Left-Hand	1
4	101895501	Gear Case, Passenger-Side	1
5	101897001	Screw, M8-1.25 X 60mm Hex-Head	11
6	101897201	Breather	1
7	101897401	Screw, M10-1.25 X 25mm	6
8	101897601	Pin, 11mm OD X 8.5mm ID X 10mm	2
9	101903601	Washer, Thrust	2
10	101903701	Washer, Thrust	2
11	101906901	Intermediate Shaft Assembly	1
12	101922101	Pin, 15.99mm X 88.7mm Dowel	1
13	101923001	Gear, Differential Idler	2
14	101923201	Gasket	2
15	101923501	Seal, Lip	1
16	101923701	Shaft, Input	1
17	101923901	Gear, Differential	2
18	101928701	Liquid Gasket (Transaxle case)	1
19	101972101	Plug, M14-1.5 X 12mm Magnetic	1
20	101972201	Plug, M14-1.5 X 12mm Hex	1
21	102356601	Housing, Differential, 6 Bolt	1
22	102356801	Gear, Differential Output, 6-Bolt	1
23	102357001	Screw, Flg Hd M10 X 1.5 X 30	10
24	102886301	Axle Assembly, Driver-Side (includes item 25)	1
25	101922201	Lug Stud	4
26	102886401	Tube, Axle, Driver-Side	1
27	102886501	Axle Assembly, Passenger-Side (includes item 28)	1
28	101922201	Lug Stud	4
29	102886601	Tube, Axle, Passenger-Side	1
30	7330	Inner Axle Tube Bearing	2
31	7335	Bearing	3
32	7336	Bearing	1

14

E

14

E

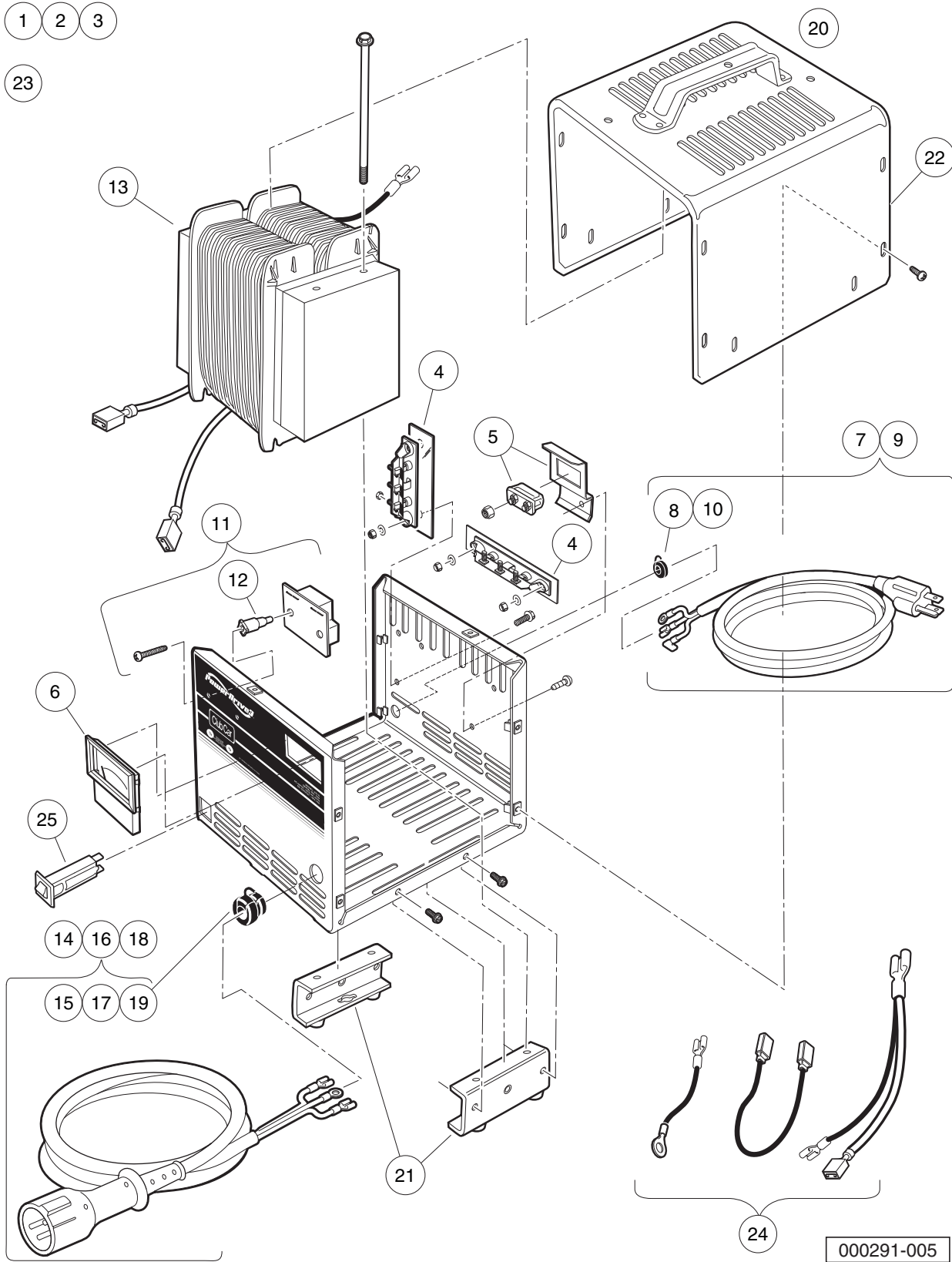
BATTERY CHARGERS

15

E

- 1
- 2
- 3

- 23



000291-005

POWERDRIVE 3 BATTERY CHARGER (MODEL 26580-11,-12,-18,-19), DOMESTIC

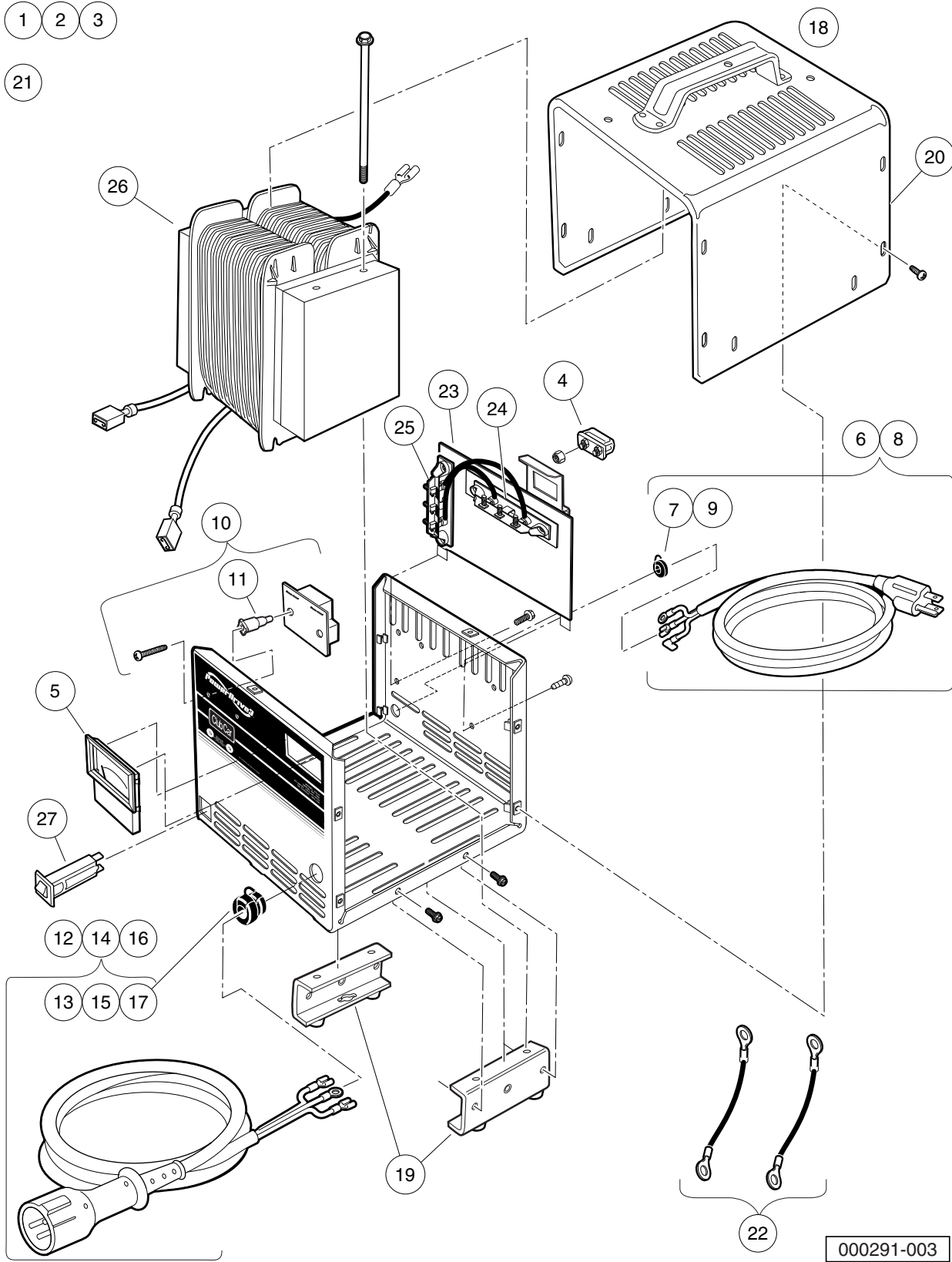
ITEM	PART NO.	DESCRIPTION	QTY
		1 2 3 4	
1	103499101	Charger, PowerDrive 3, 9ft DC, 6ft AC	1
2	103499102	Charger, PowerDrive 3, 12ft DC, 9ft AC	1
3	103499103	Charger, PowerDrive 3, 20ft DC, 9ft AC (includes items 4 through 25)	1
4	1015914	Rectifier with Heatsink Assembly	2
5	102273701	PD2 Fuse Asm	1
6	102273801	PD2 Ammeter	1
7	103428501	Kit, PD3 Cordset - AC 80" (includes item 8)	1
8	102273901	PD2 AC Cord Bushing	1
9	103428601	Kit, PD3 Cordset, - AC 114" (includes item 10)	1
10	102273901	PD2 AC Cord Bushing	1
11	103428701	Asm, PD3 Board Relay (includes item 12)	1
12	103429701	PD3 Plastic Stand-Offs	2
13	103428801	PD3 Transformer	1
14	103429001	PD3 Cordset - DC 113" (includes item 15)	1
15	1012098	Bushing, DC Cord	1
16	103429101	PD3 Cordset - DC 154" (includes item 17)	1
17	1012098	Bushing, DC Cord	1
18	103429201	PD3 Cordset - DC 205" (includes item 19)	1
19	1012098	Bushing, DC Cord	1
20	103429301	Asm, PD3 Case (includes items 21 and 22)	1
21	103434001	Asm, PD3 Legs	1
22	103439901	PD3Case Top (Includes Handle)	1
23	103429501	Kit, PD3 Hardware	1
24	103429601	Kit, PD3 Wires	1
25	CCX8506	Circuit Breaker, 15-Amp/120-Volt	1
		<p>Note: Level 1 Battery Charger part numbers include one AC and one DC cord. They do not include all of the level 2 cords listed.</p>	

15

E

- 1
- 2
- 3

- 21



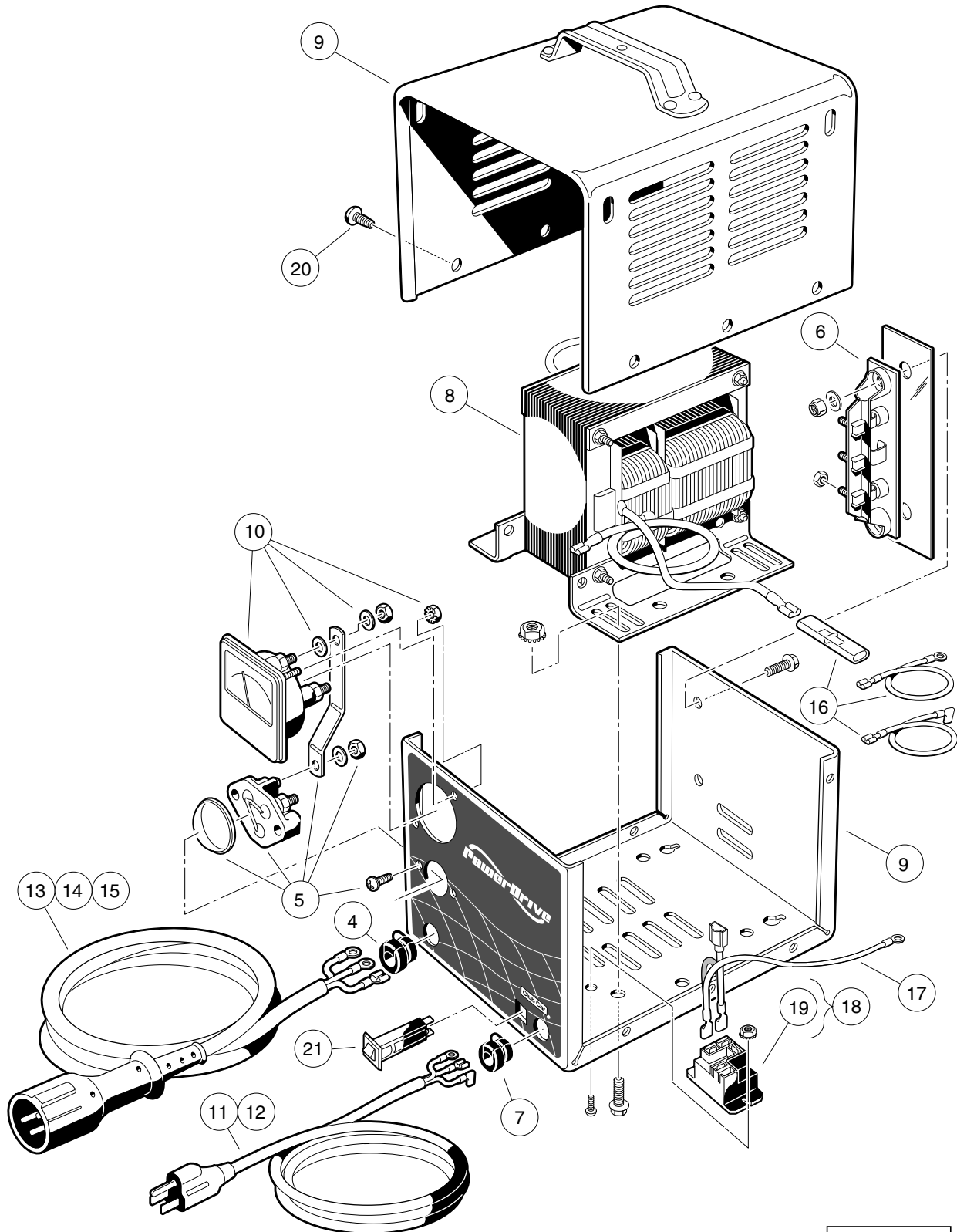
000291-003

POWERDRIVE 3 BATTERY CHARGER (MODEL 26580-31,-38,-39), DOMESTIC

ITEM	PART NO.	DESCRIPTION	QTY
		1 2 3 4	
1	103717001	Charger, PowerDrive 3, 9ft DC, 6ft AC	1
2	103717002	Charger, PowerDrive 3, 12ft DC, 9ft AC	1
3	103717003	Charger, PowerDrive 3, 20ft DC, 9ft AC (includes items 4 through 27)	1
4	102273701	PD2 Fuse Asm	1
5	102273801	PD2 Ammeter	1
6	103428501	Kit, PD3 Cordset - AC 80" (includes item 7)	1
7	102273901	PD2 AC Cord Bushing	1
8	103428601	Kit, PD3 Cordset, - AC 114" (includes item 9)	1
9	102273901	PD2 AC Cord Bushing	1
10	103428701	Asm, PD3 Board Relay (includes item 11)	1
11	103429701	PD3 Plastic Stand-Offs	2
12	103429001	PD3 Cordset - DC 113" (includes item 13)	1
13	1012098	Bushing, DC Cord	1
14	103429101	PD3 Cordset - DC 154" (includes item 15)	1
15	1012098	Bushing, DC Cord	1
16	103429201	PD3 Cordset - DC 205" (includes item 17)	1
17	1012098	Bushing, DC Cord	1
18	103429301	Asm, PD3 Case (includes items 19 and 20)	1
19	103434001	Asm, PD3 Legs	1
20	103439901	PD3Case Top (Includes Handle)	1
21	103429501	Kit, PD3 Hardware	1
22	103513001	Wire Asm Kit Blk Pd3	1
23	103517401	Kit Pd3 Button Diode (includes items 24 and 25)	1
24	N/A	Asm Diode Top	1
25	N/A	Asm Diode Side	1
26	103779601	Transformer, Pd3, AI	1
27	CCX8506	Circuit Breaker, 15-Amp/120-Volt	1
<p>Note: Level 1 Battery Charger part numbers include one AC and one DC cord. They do not include all of the level 2 cords listed.</p>			

15

E



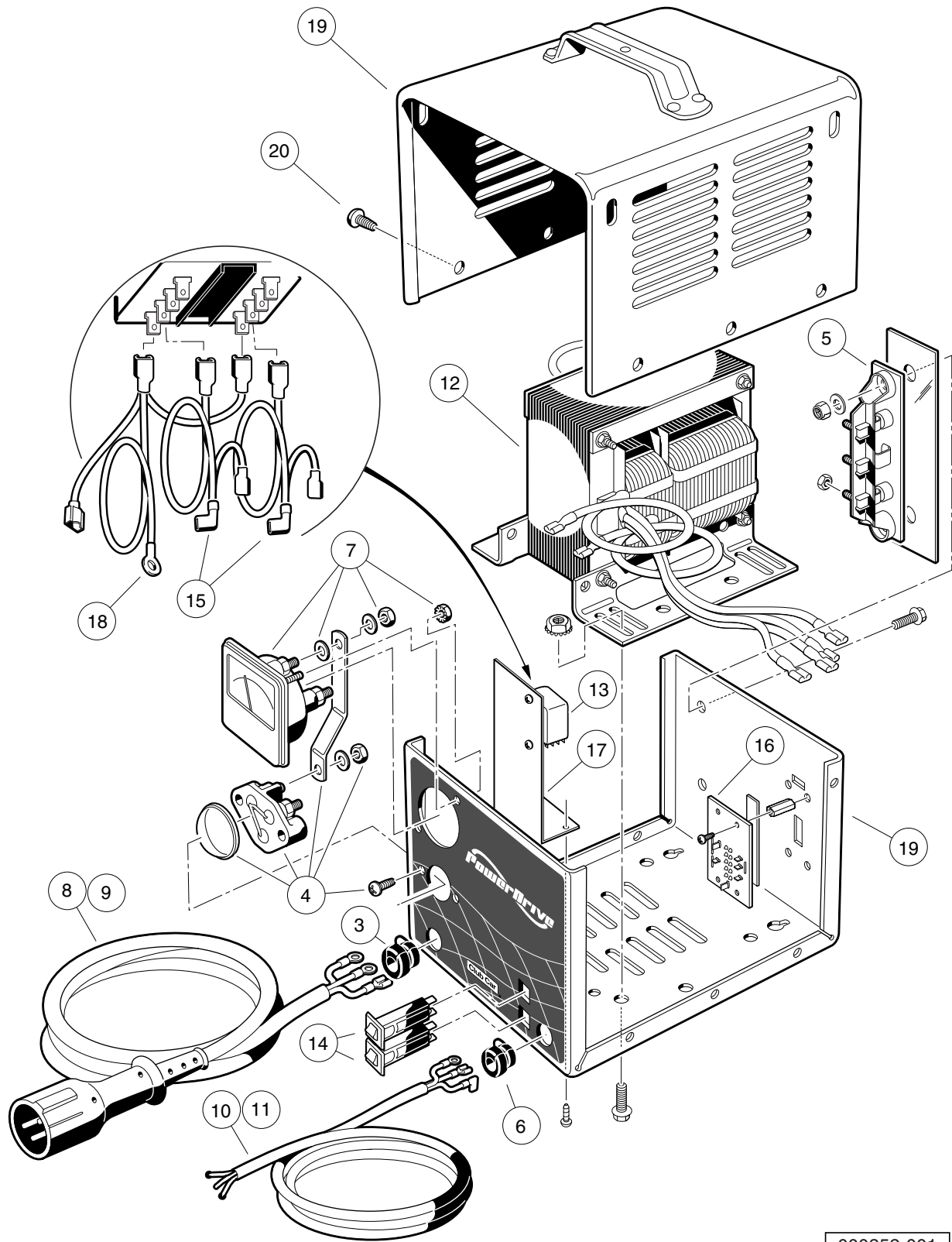
000351-002

POWERDRIVE BATTERY CHARGER (MODEL 17930), DOMESTIC

ITEM	PART NO.	DESCRIPTION	QTY
		1 2 3 4	
1	101802201	48V/17A PowerDrive (9-ft DC, 6-ft AC Cord)	1
2	101802202	48V/17A PowerDrive (12-ft DC, 9-ft AC Cord)	1
3	101802203	48V/17A PowerDrive (20-ft DC, 9-ft AC Cord) (includes items 4 through 21)	1
4	1012098	Bushing, DC Cord	1
5	1012101	Fuse Assembly	1
6	1015914	Rectifier with Heatsink Assembly	1
7	1015917	Bushing, AC Cord	1
8	101819701	Transformer, Battery Charger	1
9	101828301	Case Assembly	1
10	101828501	Ammeter	1
11	101828801	Cord, AC, 80-Inch (203 cm)	1
12	101828802	Cord, AC, 108-Inch (274 cm)	1
13	101828901	Cord, DC, 113-Inch (287 cm)	1
14	101828902	Cord, DC, 154-Inch (391 cm)	1
15	101828903	Cord, DC, 250-Inch (635 cm)	1
16	101831101	Wire Assembly Kit	1
17	101914401	Assembly, Voltage Suppressor	1
18	103414901	Kit, Relay, 48v 30a W/instr (includes item 19)	1
19	103397901	Relay, Spst No, 48v 30a, Pmt	1
20	7577	Screw, #10 X 0.50 Phillips Pan-Head	10
21	CCX8506	Circuit Breaker, 15-Amp/120-Volt	1
<p>Note: Level 1 Battery Charger part numbers include one AC and one DC cord. They do not include all of the level 2 cords listed.</p>			

15

E



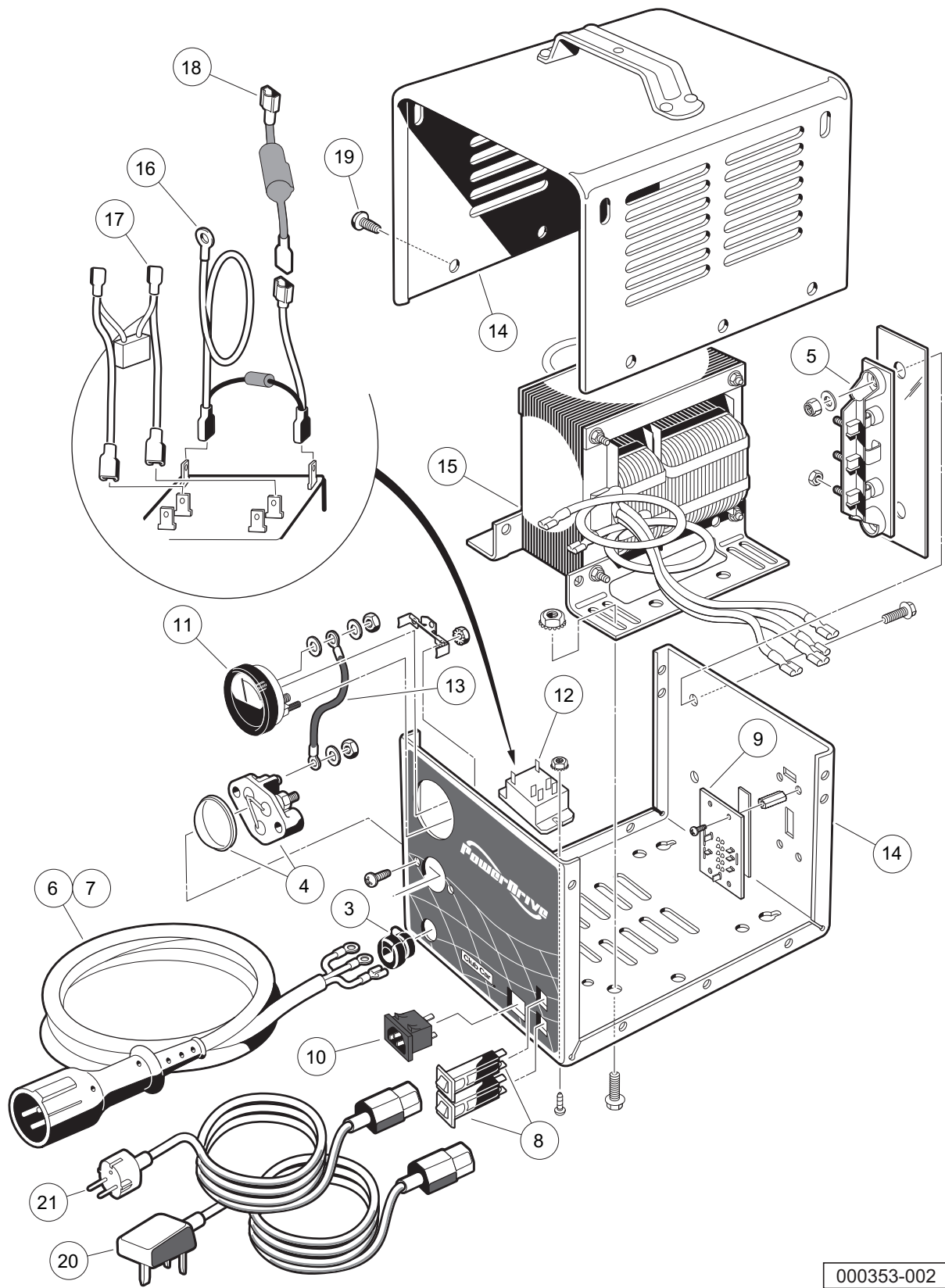
000352-001

POWERDRIVE BATTERY CHARGER (MODEL 18780), EXPORT

ITEM	PART NO.	DESCRIPTION	QTY
		1 2 3 4	
1	101831503	Battery Charger, 48-Volt DC (8.5-ft DC, 6-ft AC)	1
2	101831504	Battery Charger, 48-Volt DC (12-ft DC, 9-ft AC) (includes items 3 through 20)	1
3	1012098	Bushing, DC Cord	1
4	1012101	Fuse Assembly	1
5	1015914	Rectifier with Heatsink Assembly	1
6	1015917	Bushing, AC Cord	1
7	101828501	Ammeter	1
8	101828901	Cord, DC, 113-Inch (287 cm)	1
9	101828902	Cord, DC, 154-Inch (391 cm)	1
10	101831701	Cord, AC, 80-Inch (203 cm), without Plug	1
11	101831702	Cord, AC, 118-Inch (300 cm), without Plug	1
12	101838201	Transformer, Export Battery Charger	1
13	101838301	Relay, Export Charger	1
14	101838401	Circuit Breaker	2
15	101838501	Kit, Wire Assembly	1
16	101838601	Four-Position Switch	1
17	101838701	Mounting Bracket, Relay	1
18	101914401	Assembly, Voltage Suppressor	1
19	N/A	Case, Charger	1
20	7577	Screw, #10 X 0.50 Phillips Pan-Head	10
<p style="margin-left: 40px;">Note: Level 1 Battery Charger part numbers include one AC and one DC cord. They do not include all of the level 2 cords listed.</p>			

15

E



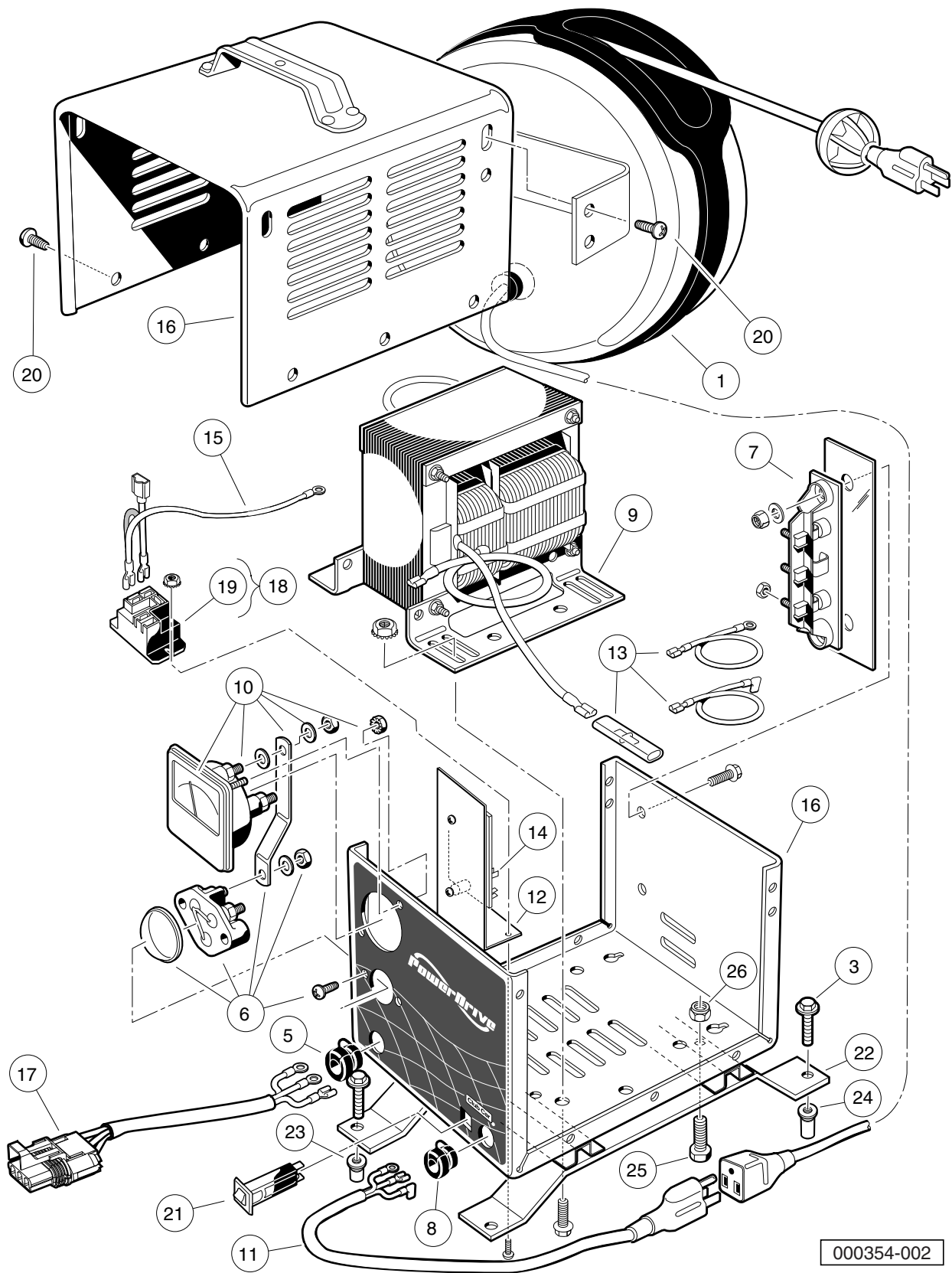
000353-002

POWERDRIVE BATTERY CHARGER (MODEL 20310), EUROPEAN

15

E

ITEM	PART NO.	DESCRIPTION	QTY
		1 2 3 4	
1	101956201	Battery Charger, 48-Volt w/ 4-Position Switch (8.5-ft DC)	1
2	101956202	Battery Charger, 48-Volt w/ 4-Pos. Switch (12-ft DC) (includes items 3 through 19)	1
3	1012098	Bushing, DC Cord	1
4	1012101	Fuse Assembly	1
5	1015914	Rectifier with Heatsink Assembly	1
6	101828901	Cord, DC, 113-Inch (287 cm)	1
7	101828902	Cord, DC, 154-Inch (391 cm)	1
8	101838401	Circuit Breaker	2
9	101838601	Four-Position Switch	1
10	101973501	Receptacle, AC Cord	1
11	101976601	Ammeter with Mounting Bracket	1
12	101987501	Relay	1
13	N/A	Wire, Jumper	1
14	N/A	Case, Charger	1
15	****	Transformer, European Battery Charger	1
16	****	Suppressor, AC Voltage	1
17	****	Assembly, Wire	1
18	****	Limiter, Current	1
19	7577	Screw, #10 X 0.50 Phillips Pan-Head	10
20	101958201	Cord, UK, AC, Battery Charger	1
21	101958301	Cord, European AC, Battery Charger	1
<p>**** Special order item available upon request.</p> <p>Note: Level 1 Battery Charger part numbers include one AC and one DC cord. They do not include all of the level 2 cords listed.</p>			



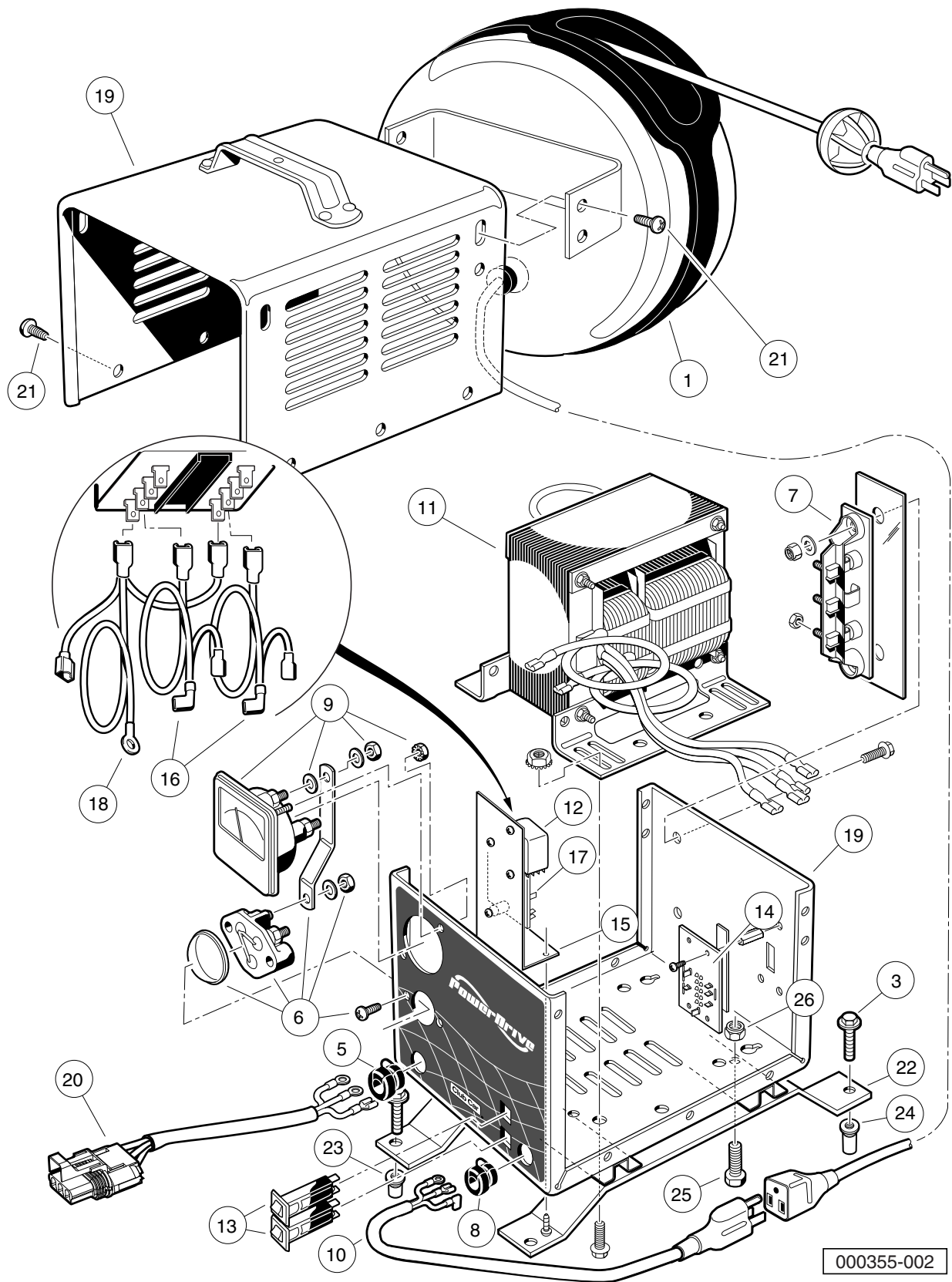
000354-002

ONBOARD POWERDRIVE BATTERY CHARGER (MODEL 17935-40), DOMESTIC

15

E

ITEM	PART NO.	DESCRIPTION	QTY
		1 2 3 4	
1	1017187	Retractable Cord Reel	1
2	1017189	Heat Shrink Tube 1.5" X 3"	1
3	102541425	Bolt-m6x1.0x25 Hex Flhd, Blk-l	4
4	102546901	48v Batt Ob Charger, Prec (includes items 5 through 21)	1
5	1012098	Bushing, DC Cord	1
6	1012101	Fuse Assembly	1
7	1015914	Rectifier with Heatsink Assembly	1
8	1015917	Bushing, AC Cord	1
9	101819701	Transformer, Battery Charger	1
10	101828501	Ammeter	1
11	101829001	Cord, AC, 22-Inch (56 cm)	1
12	101838701	Mounting Bracket, Relay	1
13	101841701	Kit, Wire Assembly	1
14	101914401	Assembly, Voltage Suppressor	1
15	N/A	Case, Charger	1
16	102940801	Cord, Dc	1
17	103414901	Kit, Relay, 48v 30a W/instr (includes item 18)	1
18	103397901	Relay, Spst No, 48v 30a, Pmt	1
19	103869401	Control Board, Potted	1
20	7577	Screw, #10 X 0.50 Phillips Pan-Head	12
21	CCX8506	Circuit Breaker, 15-Amp/120-Volt	1
22	102547201	Charger Support, Prec	2
23	102551701	Insert M6x1.0	2
24	103339901	Insert M6x1.0 Long	2
25	7847	Screw, 1/4-20 X 0.75 Hex-Head Cap	4
26	8233	Locknut, 1/4-20 Nylon Insert	4
27	8990	Tie Wrap, 8" Nylon	2
Note: Items 2 and 27 not shown. Note 2: For wire harness connecting charger to vehicle, see Electrical System section.			



000355-002

ONBOARD POWERDRIVE BATTERY CHARGER (MODEL 17790-40), INTERNATIONAL

15

E

ITEM	PART NO.	DESCRIPTION	QTY
		1 2 3 4	
1	1017187	Retractable Cord Reel	1
2	1017189	Heat Shrink Tube 1.5" X 3"	1
3	102541425	Bolt-m6x1.0x25 Hex Flhd, Blk-l	4
4	102546902	Int Ob Charger, Prec (includes items 5 through 21)	1
5	1012098	Bushing, DC Cord	1
6	1012101	Fuse Assembly	1
7	1015914	Rectifier with Heatsink Assembly	1
8	1015917	Bushing, AC Cord	1
9	101828501	Ammeter	1
10	101829001	Cord, AC, 22-Inch (56 cm)	1
11	101838201	Transformer, Export Battery Charger	1
12	101838301	Relay, Export Charger	1
13	101838401	Circuit Breaker	2
14	101838601	Four-Position Switch	1
15	101838701	Mounting Bracket, Relay	1
16	****	Kit, Wire Assembly	1
17	101914401	Assembly, Voltage Suppressor	1
18	N/A	Case, Charger	1
19	102940801	Cord, Dc	1
20	103869401	Control Board, Potted	1
21	7577	Screw, #10 X 0.50 Phillips Pan-Head	12
22	102547201	Charger Support, Prec	2
23	102551701	Insert M6x1.0	2
24	103339901	Insert M6x1.0 Long	2
25	7847	Screw, 1/4-20 X 0.75 Hex-Head Cap	4
26	8233	Locknut, 1/4-20 Nylon Insert	4
27	8990	Tie Wrap, 8" Nylon	2
<p>**** Special order item available upon request.</p> <p>Note: Items 2 and 27 not shown. Note 2: For wire harness connecting charger to vehicle, see Electrical System section.</p>			

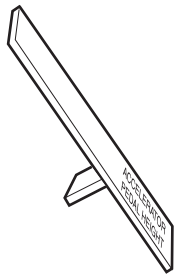
15

E

MAINTENANCE AND SERVICE TOOLS

16
G
E

16
G
E



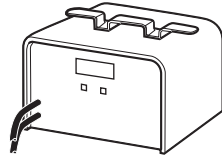
1



2



3



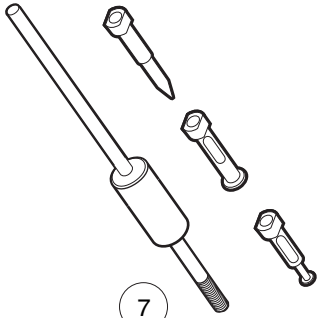
4



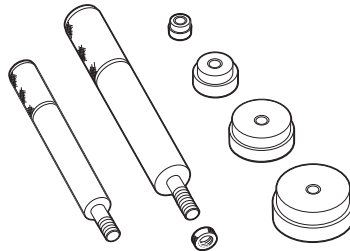
5



6



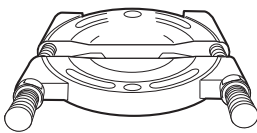
7



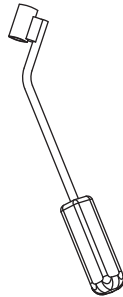
8



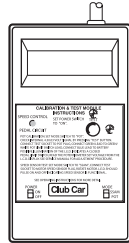
9



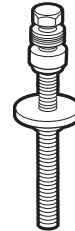
10



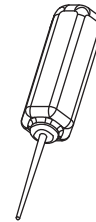
11



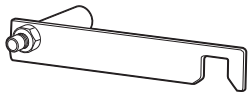
12



13



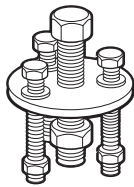
14



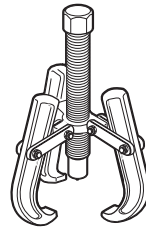
16



17



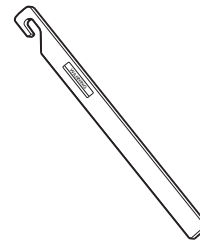
18



19



20



21



22

15

000967-001

MAINTENANCE AND SERVICE TOOLS – GOLF

ITEM	PART NO.	DESCRIPTION	QTY GAS	QTY ELEC
		<p>1 2 3 4</p> <p>The following tool list includes all tools available from Club Car for maintenance and service procedures for gasoline and electric golf cars, both past and present models. Be sure to carefully examine the tool list for applicability to your vehicle before ordering.</p>		
1	101871001	Accelerator Pedal Adjustment Tool	1	1
2	101813202	Adhesive, Guide Ring, 3-Gram Tube		1
3	101641202	Arbor	1	
4	101831901	Battery Discharge Machine, 36/48 Volt		1
5	1014305	Battery Terminal Protector Spray	1	1
6	1011767	Battery Thermometer	1	1
7	1016417	Bearing and Oil Seal Remover Assembly	1	1
8	1016416	Bearing Driver Set	1	1
9	1012811	Bearing Puller	1	1
10	1012812	Bearing Puller Wedge Attachment	1	1
11	102555501	Brake Cable Release Tool	1	1
12	101887101	Calibration Test Module		1
13	101808401	Cam Installation Tool	1	
14	102562401	Charger Bezel Tool		1
15	1014510	Clutch Tool Kit (includes items 16 - 22)	1	
16	1014498	Clutch Alignment Tool (for pre-unitized transaxle vehicles built prior to 1997 model year)	1	
17	1014496	Drive Clutch Puller (for Kawasaki engines only)	1	
18	1014497	Drive Clutch Hub Puller (for Kawasaki engines only)	1	
19	1014508	Driven Clutch Cam Puller (for Kawasaki engines only)	1	
20	1014507	Driven Clutch Puller Plug (for Kawasaki engines only)	1	
21	1015524	Drive Clutch Holder Tool Assembly (for Kawasaki engines only)	1	
22	101809101	Press Weldment (for Kawasaki engines only)	1	
		<p>Please refer to the maintenance and service manual for proper tool application.</p>		

16

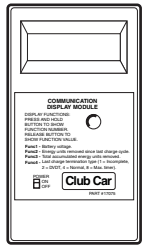
G

E

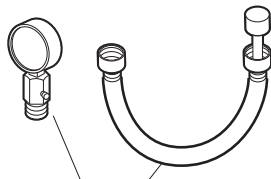
16

G

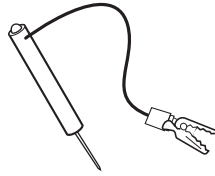
E



23



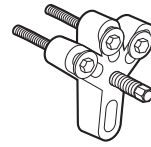
24



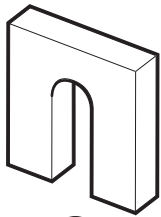
25



26



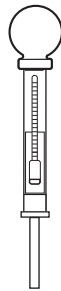
27



28



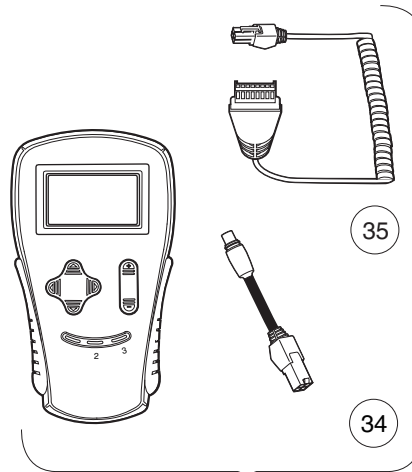
29



30



31

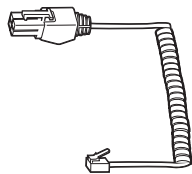


35

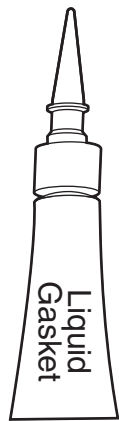
34

32

33



36



37



38



39

40



41

000968-001

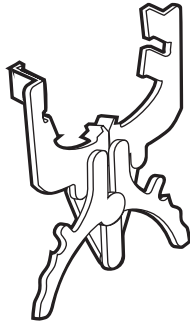
MAINTENANCE AND SERVICE TOOLS – GOLF, CONTINUED

ITEM	PART NO.	DESCRIPTION	QTY GAS	QTY ELEC	
		1 2 3 4			16
23	101831801	Communication Display Module		1	G
24	101641002	Compression Gauge and Adapter	1		E
25	1011273	Continuity Tester	1	1	
26	1012151	Dry Moly Lubricant	1	1	
27	1016627	Flywheel Puller Kit (for Kawasaki Engines)	1		
28	1016418	Gear Yoke	1	1	
29	101933101	Governor Shaft Installation Tool (for Kawasaki Engine Vehicles)	1		
30	1011478	Hydrometer	1	1	
31	1013593	Internal Retaining Ring Pliers	1	1	
32	102248803	IQ Display Module (IQDM) Kit (IQ System and IQ Plus vehicles)		1	
		(includes items 34 and 35)			
33	102248804	IQ Display Module (IQDM-P) Kit (IQ System and IQ Plus vehicles)		1	
		(includes items 34 and 35)			
34	102251501	Adaptor, Cable		1	
35	102241502	IQDM Series 2 Cable		1	
36	102241501	IQDM Series 1 Cable (replacement)		1	
37	101928701	Liquid Gasket (transaxle case)	1	1	
38	102243402	Moly-Teflon Lubricant (4-oz. (113-gram) tube)		1	
39	101997201	Paint, Touch-Up – Beige*	1	1	
39	101997207	Paint, Touch-Up – Black*	1	1	
39	101997212	Paint, Touch-Up – Burgundy*	1	1	
39	101997211	Paint, Touch-Up – Classic Blue (Navy)*	1	1	
39	101997205	Paint, Touch-Up – Dark Gray*	1	1	
39	101997209	Paint, Touch-Up – Dark Green*	1	1	
39	101997204	Paint, Touch-Up – Gray*	1	1	
39	101997203	Paint, Touch-Up – Red*	1	1	
39	101997206	Paint, Touch-Up – Royal Blue (Pacific Blue)*	1	1	
39	101997202	Paint, Touch-Up – White*	1	1	
40	102562301	Paint, Precedent Underbody – Gray	1	1	
41	102587201	Paint Pen, Touch-Up, Precedent Underbody – Black	1	1	
		<p>Please refer to the maintenance and service manual for proper tool application.</p> <p>* Item 39 is not for use on Surlyn[®] body material, which is used on Precedent vehicles.</p>			

16
G
E



42



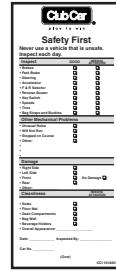
43



44



45



46



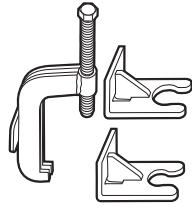
47



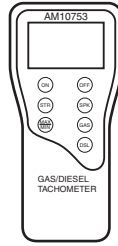
48



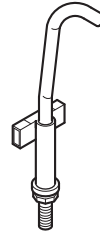
49



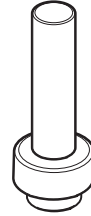
50



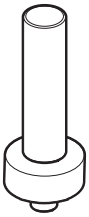
51



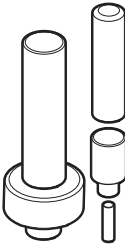
52



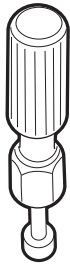
53



54



55



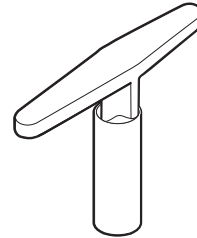
58



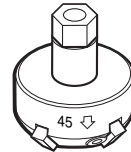
59



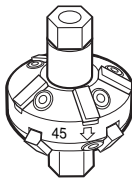
60



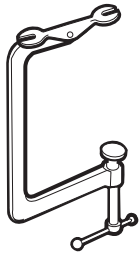
61



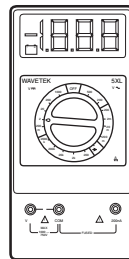
62



63



64



65

000969-001

MAINTENANCE AND SERVICE TOOLS – GOLF, CONTINUED

ITEM	PART NO.	DESCRIPTION	QTY GAS	QTY ELEC
		1 2 3 4		
42	1016414	Piston Ring Compressor Kit (FE290, FE350 and FE400 engines)	1	
43	1016415	Piston Ring Pliers (for Kawasaki Engines)	1	
44	1012549	Retaining Ring Pliers, 45° External	1	1
45	1012560	Retaining Ring Pliers, 90° Internal	1	1
46	101823101	Safety First Card (50 per pack)	1	1
47	1012809	Seal Puller	1	1
48	1014264	Steering Column Bearing Press Tool	1	1
49	1014259	Steering Column Retaining Ring Tool	1	1
50	102061201	Steering Wheel Puller Tool	1	1
51	AM10753	Tachometer (includes gasoline engine pick up lead only)	1	
52	102570401	Tool, Tensioning, Starter Generator (For Precedent vehicles)	1	
53	1014162	Transaxle Axle Seal Tool	1	
54	1014161	Transaxle Pinion Seal Tool	1	
55	1014115	Transmission Tool Kit	1	
56	101611003	Tune-Up Kit, DS (for FE290/350 Engines) (includes air filter, spark plug, oil filter, fuel filters) (not shown)	1	
57	AM1220301	Tune-Up Kit, Precedent (for FE290/350 Engines) (includes air filter, spark plug, oil filter, fuel filters) (not shown)	1	
58	1016413	Valve Clearance Adjuster Screw Holder (for FE290 engines only)	1	
59	101641201	Valve Guide Reamer (FE290, FE350, and FE400 only)	1	
60	1016552	Valve Seat Cutter Guide	1	
61	1016551	Valve Seat Cutter T-Wrench	1	
62	1016553	Valve Seat Cutter, 45° (32 mm diameter) (for FE290 engines only)	1	
63	1016554	Valve Seat Cutter, 45°/30° (35 mm diameter)	1	
64	101641101	Valve Spring Compressor	1	
65	1011480	Volt Ohm Meter	1	1
		Please refer to the maintenance and service manual for proper tool application.		

16

G

E

INDEX

Part Number and Page

AM10753	16-7	1012181	5-15, 5-17, 5-19	1014052	10-3
AM10079	6-3, 12-3	1012182	5-15, 5-17, 5-19	1014055	10-3
AM10080	11-5	1012285	8-13	1014056	10-3
AM10081	11-5	1012295	6-21	1014057	10-3
AM10419	10-5	1012431	6-11	1014058	10-3
AM1229401	5-3	1012505	6-3, 12-3	1014059	10-3
AM1232301	7-5	1012528	9-3, 12-39, 12-41	1014062	10-3
AM1263401	2-5	1012549	16-7	1014063	10-3
CCX8506	15-3, 15-5, 15-7, 15-13	1012560	16-7	1014065	6-11, 10-3
183	10-3, 11-3, 11-9	1012565	5-3, 5-5	1014070	10-5
332	9-3	1012566	5-3, 5-5	1014072	10-5
334	7-15, 10-3	1012571	1-23, 7-15	1014078	10-5
451	9-3, 13-3	1012594	6-11	1014080	10-5
705	7-15	1012649	8-3, 8-5	1014089	6-11
706	5-13	1012711	11-3	1014115	16-7
808	10-3	1012714	11-5	1014145	6-11
1241	6-19, 9-3	1012740	11-5	1014153	4-3
1242	4-5, 6-19, 6-21	1012741	11-5	1014161	16-7
1624	6-19	1012747	11-5	1014162	16-7
7174	6-19, 8-13, 9-3	1012748	11-5	1014201	13-3
7310	2-3, 2-5	1012752	11-3	1014207	11-7
7330	11-7, 14-3	1012809	16-7	1014259	16-7
7335	11-5, 14-3	1012811	16-3	1014264	16-7
7336	14-3	1012812	16-3	1014287	10-3
7577	15-7, 15-9, 15-11, 15-13, 15-15	1012830	6-19, 8-13, 9-3	1014288	10-3
7847	9-3, 15-13, 15-15	1012836	10-5	1014304	12-27, 12-29, 12-31, 12-33
7893	6-21	1012896	11-3	1014305	16-3
8057	6-11	1012987	6-11	1014375	6-21
8058	6-11	1013061	11-3, 11-9	1014413	1-13, 8-15
8233	11-3, 11-9, 15-13, 15-15	101313402	8-7	1014453	10-3
8450	10-3	1013164	5-15, 5-17, 5-19	1014454	10-5
8639	12-27, 12-29, 12-31, 12-33	1013589	6-11	1014496	16-3
8717	6-11, 11-3, 11-9	1013590	6-11	1014497	16-3
8745	5-13	1013591	6-11	1014498	16-3
8754	6-19	1013593	16-5	1014507	16-3
8990	12-43, 15-13, 15-15	1013609	6-21	1014508	16-3
1010145	5-15, 5-17, 5-19	1013687	8-3, 8-5	1014510	16-3
1010434	1-19, 1-21, 1-31, 1-33, 1-35, 1-37, 1-39, 4-7, 4-9, 4-11, 4-13, 12-31, 12-33	1013700	8-13	1014523	8-3
1010577	7-15	1013734	9-3, 12-39, 12-41	1014524	8-3
1010829	4-5	1013746	8-3, 8-5, 8-11	1014555	5-15, 5-17, 5-19, 12-27, 12-29, 12-31, 12-33
1010954	6-11	1013760	11-3	1014727	6-11
1010984	2-3	1013768	11-7	1014807	6-11
1011273	16-5	1013769	11-7	1014902	1-35, 1-37, 1-39, 5-19
1011291	11-7	1013770	11-7	1014947	12-39, 12-41
1011415	5-15, 5-17, 5-19	1013771	11-7	1015064	6-11
1011478	16-5	1013772	11-7	1015137	8-3, 8-5, 8-11
1011480	16-7	1013773	11-7	1015139	8-3, 8-5
1011697	5-3, 7-15, 8-11, 8-13	1013774	11-7	1015143	8-3, 8-5
1011767	16-3	1013787	11-7	101524002	6-19
1012098	15-3, 15-5, 15-7, 15-9, 15-11, 15-13, 15-15	1013792	11-7	1015332	7-3
1012101	15-7, 15-9, 15-11, 15-13, 15-15	1013794	11-7, 14-3	1015524	16-3
1012151	16-5	1013924	4-3, 7-15	1015649	7-3
1012180	5-15, 5-17	1014007	11-3, 11-9	1015814	9-3
		1014049	10-3	101584502	8-13
		1014050	10-3	1015914	15-3, 15-7, 15-9, 15-11, 15-13, 15-15
		1014051	10-3		

INDEX

1015917	15-7, 15-9, 15-13, 15-15	1016486	8-9	1016849	6-3, 12-3
1015932	6-19	1016489	7-9	1016851	6-3, 12-3
1015969	7-3	101649002	8-11	1016883	6-19
1016074	6-19	1016494	7-11	1016904	7-9, 9-3
1016103	8-11	1016496	7-11	101705701	1-35, 1-37, 1-39, 3-9
101611003	16-7	1016499	8-9	1017082	11-3, 11-9
1016154	5-3, 5-5	1016501	8-9	1017187	15-13, 15-15
101615602	5-5	1016502	7-7	1017189	15-13, 15-15
1016201	10-3	1016506	7-11	1017231	11-3
1016203	10-3	1016507	7-3	1017235	1-35, 1-37, 1-39, 5-19
1016214	5-3, 5-5	1016510	7-11	1017434	7-9
1016219	5-5	1016513	11-3	1017442	7-7
1016289	10-3	1016517	7-9	1017443	7-9
1016337	11-5	1016518	7-9	1017444	7-9
1016338	11-5	1016519	7-9	1017445	7-9
101641002	16-5	1016521	7-11	1017448	7-5
101641101	16-7	1016531	7-3	101744901	7-13
101641201	16-7	1016535	7-11	101744902	7-13
101641202	16-3	1016537	7-7	1017450	7-13
1016413	16-7	1016538	7-11	101745101	7-13
1016414	16-7	1016539	7-3	101745102	7-13
1016415	16-7	1016541	7-13	1017453	7-13
1016416	16-3	1016542	7-9	1017454	7-9
1016417	16-3	1016544	7-5, 7-9, 7-11	1017455	7-5
1016418	16-5	1016545	7-9	1017456	7-7
101642580	8-9	1016546	8-13	101745701	7-13
101642582	8-9	1016547	7-3, 7-13, 8-11	101745702	7-13
101642585	8-9	1016549	7-9	1017458	7-7
1016429	7-7	1016551	16-7	1017460	7-7
1016432	7-7, 11-3	1016552	16-7	1017461	8-9
1016436	7-9	1016553	16-7	1017463	7-5
1016437	8-9	1016554	16-7	1017466	8-11
1016438	8-11	1016560	7-9	1017471	7-13
1016440	7-9, 8-11	1016561	7-5	1017472	7-11
1016441	8-11	1016562	7-5, 7-13	1017473	7-9
1016444	8-11	1016563	7-9	1017474	7-3
1016449	7-9	1016564	7-11	1017475	7-3
1016450	7-9	1016566	7-9	1017476	7-3
1016451	7-9	1016569	7-9	1017486	7-3
1016452	7-9	1016570	7-7	1017487	7-11
1016453	7-11	1016571	7-13	1017490	7-5
1016454	7-11	1016572	8-11	1017501	7-13
1016455	7-5	1016576	7-7	1017502	7-13
1016456	7-3	1016578	7-5	1017503	7-13
1016457	7-7	1016581	7-7	1017504	7-11
1016458	7-9	1016582	8-11	1017507	7-7
1016467	7-7	1016583	7-9	1017508	7-11
1016470	7-13	1016584	7-11	1017510	7-13
1016472	7-11	1016585	8-9	1017512	7-13
1016473	7-7	1016587	7-5	1017513	7-11
1016474	7-9	1016588	7-5	1017514	7-11
1016479	7-9	1016627	16-5	101751801	7-11
1016480	8-11	1016630	6-3	101751802	7-11
101648102	8-11	1016663	5-5	101751803	7-11
101648203	7-7	1016672	11-7	1017686	10-5
1016483	7-9	1016801	10-3	1017689	9-3

INDEX

101769302	2-3	101833401	10-5	101903601	14-3
101773301	7-13	101833601	11-3	101903701	14-3
101773302	7-13	101833902	10-3	101906901	14-3
101773303	7-13	101834001	10-5	101908401	12-25
101773304	7-13	101834502	6-3, 12-3	101908701	12-39, 12-41
101773305	7-13	101834601	7-15	101910501	11-7
101773306	7-13	101834801	11-3, 11-9	101914401	15-7, 15-9, 15-13, 15-15
101773307	7-13	101836201	10-5	101916101	7-3
101773308	7-13	101837301	6-19	101916301	7-5
101773309	7-13	101838201	15-9, 15-15	101916701	6-19, 10-3
101773310	7-13	101838301	15-9, 15-15	101920101	12-7, 13-3
101773311	7-13	101838401	15-9, 15-11, 15-15	101922101	14-3
101791101	4-3	101838501	15-9	101922201	14-3
101797701	12-27, 12-31	101838601	15-9, 15-11, 15-15	101923001	14-3
101797801	12-27, 12-29, 12-31, 12-33	101838701	15-9, 15-13, 15-15	101923201	14-3
101802201	15-7	101841701	15-13	101923501	14-3
101802202	15-7	101851101	6-3, 12-3	101923701	14-3
101802203	15-7	101856001	12-25	101923901	14-3
101808401	16-3	101856201	1-13, 8-15	101925601	10-3
101809101	16-3	101865805	12-31, 12-33	101926901	11-3
101811401	1-13, 8-15	101871001	16-3	101927101	11-3
101813202	16-3	101884801	7-15	101927201	11-3
101815501	4-3	101886101	11-3, 11-9	101927301	11-3
101815502	4-3	101887101	16-3	101927501	11-5
101816501	4-3	101887601	7-3, 8-11	101927601	11-5
101816502	4-3	101889401	11-5	101927701	11-5
101819701	15-7, 15-13	101890001	11-5	101927901	11-5
101820201	8-11	101890101	11-3	101928001	11-5
101823101	16-7	101890201	11-3	101928101	11-5
101823201	4-3	101890501	11-3	101928301	11-7
101823801	4-3	101890601	11-3	101928601	11-3
101823901	4-3	101890901	11-7	101928701	11-3, 14-3, 16-5
101824401	8-3, 8-5	101891001	11-7	101929802	10-3
101825101	3-3, 3-5	101891301	11-3	101933101	16-5
101827101	7-15	101891401	11-7	101936801	12-7
101828301	15-7	101891501	11-7	101942301	13-3
101828501	15-7, 15-9, 15-13, 15-15	101891601	11-5	101956201	15-11
101828801	15-7	101891901	11-5	101956202	15-11
101828802	15-7	101892001	11-5	101958201	15-11
101828901	15-7, 15-9, 15-11	101892201	11-5	101958301	15-11
101828902	15-7, 15-9, 15-11	101892301	11-5	101960501	3-3
101828903	15-7	101892401	11-5	101963401	7-15
101829001	15-13, 15-15	101892501	11-5	101964201	12-29, 12-33
101830701	6-3, 12-3	101892601	11-5	101972001	16-5
101831101	15-7	101892701	11-7	101972002	16-5
101831503	15-9	101892901	11-3	101972003	16-5
101831504	15-9	101893201	11-5	101972004	16-5
101831701	15-9	101893801	11-3	101972005	16-5
101831702	15-9	101893901	11-5	101972006	16-5
101831801	16-5	101895401	14-3	101972007	16-5
101831901	16-3	101895501	14-3	101972009	16-5
101832001	12-27, 12-29, 12-31, 12-33	101897001	14-3	101972011	16-5
101832202	8-13	101897201	14-3	101972012	16-5
101832302	8-13	101897401	14-3	101972101	14-3
101832701	7-15	101897601	14-3	101972201	14-3
101833101	7-15	101898001	6-21	101973101	8-9

INDEX

101973301	8-9	102290120	5-7	102500601	1-23, 1-25
101973401	8-11	102292201	4-7, 4-9, 4-11, 4-13	102500801	4-7, 4-9, 4-11, 4-13
101973501	15-11	102292356	1-9, 1-11, 12-27, 12-29, 12-31, 12-33	102501402	1-23, 1-25
101976601	15-11	102292701	1-11, 1-23, 1-25	102501501	1-5
101979101	6-11	102292801	4-5	102502301	1-23, 1-25
101980801	11-5	102296020	1-5, 5-3, 6-21, 8-3, 8-5, 8-15	102502302	1-23, 1-25
101980901	11-5	102296040	6-11, 6-21	102502304	1-23, 1-25
101981001	11-5	102296140	1-27, 1-29	102502305	1-23, 1-25
101987501	15-11	102296401	1-27, 1-29	102502306	1-23, 1-25
102003201	8-3, 8-5	102296530	1-19, 1-21, 1-31, 1-35, 1-37, 1-39	102502307	1-23, 1-25
102022601	5-9	102296601	1-23, 1-25	102502308	1-23, 1-25
102031901	11-7	102296716	12-39, 12-41	102502309	1-23, 1-25
102061201	16-7	102296819	1-9	102502311	1-23, 1-25
102065901	7-15	102296920	6-11, 12-25	102502313	1-23, 1-25
102186001	13-3	102297001	1-9	102502401	1-5
102186101	13-3	102297125	1-19, 8-15	102502402	1-5
102186201	13-3	102297230	1-21, 1-23, 1-25	102502404	1-5
102186301	13-3	102297901	4-5	102502405	1-5
102186401	13-3	102298020	1-11, 12-27, 12-29, 12-31, 12-33, 12-39, 12-41	102502406	1-5
102186701	13-3	102298030	1-13, 1-15, 1-23, 1-25, 1-31, 4-7, 4-9, 4-11, 4-13	102502407	1-5
102186901	13-3	102298116	5-7	102502408	1-5
102187101	13-3	102298130	5-7	102502409	1-5
102187201	13-3	102298170	5-15, 5-17, 5-19	102502411	1-5
102196901	12-3	102298185	5-15, 5-17, 5-19	102502413	1-5
102235201	13-3	102298240	1-19, 1-21, 1-23, 1-25, 1-31	102502501	1-5
102240501	12-39, 12-41	102298401	1-3, 1-27, 1-29, 5-15, 5-17, 5-19	102502601	1-5
102241501	16-5	102298580	1-23, 1-25	102502901	1-23, 1-25
102241502	16-5	102298601	1-23, 1-25, 1-33	102503001	1-23, 1-25
102242101	10-5	102298716	1-11, 1-23, 1-25	102503221	1-19, 1-21, 1-31, 1-35
102243402	16-5	102298720	1-31, 1-33, 1-35, 1-37, 1-39	102503222	1-19, 1-21, 1-31, 1-37
102243403	13-3	102298745	1-33, 1-35, 1-37, 1-39	102503224	1-19, 1-21, 1-31, 1-39
102248803	16-5	102299065	1-7, 1-27, 1-29	102503225	1-19, 1-21, 1-31
102248804	16-5	102299360	1-27, 1-29	102503901	1-19
102251501	16-5	102299601	1-27, 1-29	102504001	1-19, 1-21
102273701	15-3, 15-5	102304801	7-9	102504201	1-19, 1-21
102273801	15-3, 15-5	102336001	8-13	102504301	1-19, 1-21
102273901	15-3, 15-5	102353201	5-13	102504501	1-19
102279001	1-23, 1-25	102353301	5-13	102504802	1-11
102279104	1-23, 1-25	102353401	5-13	102505701	5-11
102287101	5-11	102355301	6-21	102506201	5-15, 5-17, 5-19
102287601	5-11	102356601	14-3	102506301	5-15, 5-17, 5-19
102287701	5-11	102356801	14-3	102506401	5-15, 5-17, 5-19
102288101	5-11, 5-13	102357001	14-3	102506601	5-15, 5-17, 5-19
102288201	5-13	102357701	5-13	102508202	1-15
102288401	5-13	102400002	1-27, 1-29	102508401	12-25
102288601	5-9	102400102	1-27, 1-29	102508601	12-3
102288901	5-11	102400202	1-7	102508701	12-3
102289001	5-9	102400302	1-7	102508901	1-29
102289101	5-13	102430901	7-13	102508902	1-27
102289201	5-13	102453001	11-5	102509301	5-17
102289401	5-11	102453101	11-5	102510001	12-3
102289501	5-11, 5-13	102491501	12-27, 12-29, 12-31, 12-33	102511101	12-25
102289601	5-11	102500501	1-23, 1-25	102511601	1-29
102289701	5-11			102511602	1-27
102289801	5-13			102511702	1-13
102289901	5-11			102512001	6-11

INDEX

102512401	1-27, 1-29	102540901	3-3	102572401	12-3
102513001	5-15	102541425	1-31, 1-35, 1-37, 1-39, 15-13, 15-15	102573101	1-31, 1-35, 1-37, 1-39
102513301	1-27, 1-29	102543902	1-7	102574801	1-31, 1-35, 1-37, 1-39
102513501	1-27, 1-29	102544201	1-7, 1-27, 1-29	102574901	1-31, 1-35, 1-37, 1-39
102513701	8-3, 8-5	102544901	1-35, 1-37, 1-39, 5-19	102575101	1-31, 1-35, 1-37, 1-39
102514201	8-3, 8-5	102545601	1-23	102575201	1-31, 1-35, 1-37, 1-39
102514401	1-13, 8-15	102545602	1-23	102584701	1-33, 1-35, 1-37, 1-39
102514602	6-11	102546901	15-13	102584801	1-33, 1-35, 1-37, 1-39
102514701	8-3, 8-5	102546902	15-15	102585901	9-3
102515001	6-3, 6-9	102547201	15-13, 15-15	102587201	16-5
102515101	6-3	102551701	1-19, 1-21, 15-13, 15-15	102588301	8-15
102515301	6-11	102551901	4-5	102588501	5-15, 5-17, 5-19
102515401	11-3, 11-9	102552001	4-5	102588601	5-11
102515501	6-11	102554901	6-11	102590001	12-11, 12-15
102515601	6-11	102555501	16-3	102591901	3-7
102516901	1-15	102555901	3-5	102594301	4-5
102517001	1-19, 1-21	102556701	2-5	102594801	4-7, 4-9, 4-11, 4-13
102517801	3-3	102556801	2-5	102594901	4-7, 4-9, 4-11, 4-13
102517901	3-3	102557201	1-9	102595015	4-7
102518001	3-5	102557801	2-3	102595021	4-9, 4-11
102519201	3-3	102558201	8-15	102595101	8-13
102519301	3-3, 3-5	102558301	8-15	102595201	4-7, 4-9, 4-11, 4-13
102520701	1-29	102558401	8-15	102595301	4-7, 4-9, 4-11, 4-13
102520702	1-27	102558501	8-15	102595401	4-7, 4-9, 4-11, 4-13
102521301	8-15	102558601	8-15	102595502	4-7, 6-5
102521401	8-15	102558701	8-15	102595601	12-5
102521901	1-11	102559401	4-7, 4-9, 4-11, 4-13	102595701	4-7, 4-9, 4-11, 4-13
102522601	2-3	102559701	4-7, 4-9, 4-11, 4-13	102595901	4-7, 4-9, 4-11, 4-13
102522604	2-3	102559901	2-3	102596001	4-7, 4-9, 4-11, 4-13
102522605	2-3	102562101	1-23	102596211	4-13
102522609	2-3	102562301	16-5	102596301	4-9, 4-11, 4-13
102522901	6-3, 12-3	102562401	16-3	102628201	6-17
102526201	11-3, 11-9	102562701	1-17	102704701	13-3
102531001	1-33, 1-35, 1-37, 1-39	102562801	1-17	102704801	13-3
102531402	1-33, 1-35, 1-37, 1-39	102562901	1-17	102704901	13-3
102531501	1-31, 1-35, 1-37, 1-39	102563101	12-7	102711001	6-17
102531601	1-33, 1-35, 1-37, 1-39	102564901	5-9	102751601	8-3, 8-5
102531701	1-31, 1-35	102565101	5-9	102753401	7-9
102531702	1-31, 1-37	102565201	5-9	102771701	14-3
102531704	1-31, 1-39	102565301	5-9	102803301	6-21
102534201	1-3, 1-33, 1-35, 1-37, 1-39	102565401	5-9	102806201	12-39
102534404	1-5	102565701	5-9	102806203	12-39
102534801	1-35, 1-37, 1-39, 5-19	102565801	5-9	102838401	7-5
102536601	6-3, 12-3	102565901	5-9	102838701	6-17
102536602	6-3	102566001	5-9	102838801	6-17
102536603	12-3	102566101	5-9	102838901	6-17
102536604	6-3	102568701	1-19, 1-21	102839001	6-17
102536605	12-3	102569304	2-3	102839301	6-17
102537801	5-3	102569309	2-3	102841101	6-17
102538101	3-3, 5-3	102570401	16-7	102844401	6-17
102538201	3-5, 5-3	102570901	1-35	102844501	6-17
102538601	12-25	102570902	1-37	102844601	6-17
102540301	7-15	102570904	1-39	102844701	6-17
102540601	2-5	102571202	12-31, 12-33	102865101	8-3, 8-5
102540701	2-5	102571301	5-3	102878201	5-13
102540801	5-3	102572201	1-31, 1-35, 1-37, 1-39	102886301	14-3

INDEX

102886401	14-3	102902301	11-13	103388501	5-11
102886501	14-3	102902401	11-13	103395401	12-35
102886601	14-3	102902501	11-13	103395501	12-35
102896801	11-9	102902601	11-13	103395505	12-37
102896901	11-9	102902701	11-13	103395701	12-35
102897201	11-11	102902801	11-13	103397901	15-7, 15-13
102897301	11-11	102915601	1-9	103402701	1-9
102897401	11-9	102940801	15-13, 15-15	103403402	12-41
102897501	11-9	102952202	8-3, 8-5	103403501	12-23
102897601	11-9	102956201	5-11, 5-13	103414901	15-7, 15-13
102897701	11-11	102958001	12-35, 12-37	103421801	12-11, 12-15, 12-19, 12-23
102897801	11-9	102967901	1-23, 1-25, 8-7	103423001	1-17
102897901	11-9	103010101	8-5	103423002	1-17
102898001	11-11	103196001	1-27, 1-29	103423004	1-17
102898101	11-11	103199301	1-27, 1-29	103428501	15-3, 15-5
102898201	11-9	103200301	1-27, 1-29	103428601	15-3, 15-5
102898301	11-11	103205101	1-27, 1-29	103428701	15-3, 15-5
102898401	11-11	103209501	5-7	103428801	15-3
102898501	11-11	103210101	1-27, 1-29	103429001	15-3, 15-5
102898601	11-11	103226201	12-35	103429101	15-3, 15-5
102898701	11-11	103226301	12-35	103429201	15-3, 15-5
102898801	11-11	103226401	12-35	103429301	15-3, 15-5
102898901	11-11	103226601	12-35	103429501	15-3, 15-5
102899001	11-11	103226701	12-35	103429601	15-3
102899101	11-9	103327601	1-19, 1-21	103429701	15-3, 15-5
102899201	11-9	103327901	12-7	103434001	15-3, 15-5
102899301	11-11	103330601	1-3	103439901	15-3, 15-5
102899401	11-9	103339901	15-13, 15-15	103447901	1-17
102899501	11-11	103345701	10-3	103449501	12-43
102899601	11-11	103347101	6-17	103449601	12-43
102899701	11-9	103347301	6-17	103452001	8-7
102899801	11-9	103347601	6-17	103458601	2-3
102899901	11-11	103347701	6-17	103459101	2-3
102900001	11-9	103347801	6-17	103470701	8-3, 8-5
102900101	11-9	103347901	6-17	103483102	4-3
102900201	11-9	103357701	12-27, 12-29, 12-31, 12-33	103483201	4-3
102900301	11-9	103367901	12-39, 12-41	103483401	4-3
102900401	11-11	103368301	12-27, 12-29, 12-31, 12-33	103483601	4-3
102900501	11-11	103368401	12-27, 12-29, 12-31, 12-33	103483701	4-3
102900601	11-9	103372101	8-3, 8-5	103496801	6-21
102900701	11-11	103372401	8-7	103496901	12-11
102900801	11-13	103372502	8-7	103499101	15-3
102900901	11-9	103372603	8-7	103499102	15-3
102901001	11-11	103374801	12-27, 12-29, 12-31, 12-33	103499103	15-3
102901101	11-11	103374901	12-15	103510602	12-37
102901201	11-13	103375301	12-27, 12-29, 12-31, 12-33	103513001	15-5
102901301	11-13	103375501	12-27, 12-29, 12-31, 12-33	103514801	12-19
102901401	11-13	103375702	12-11, 12-15, 12-19, 12-23	103517401	15-5
102901501	11-13	103376001	12-27, 12-29, 12-31, 12-33	103528701	4-5
102901601	11-13	103379601	6-11	103528702	4-5
102901701	11-13	103380201	4-3	103535001	4-5
102901801	11-13	103380202	4-3	103536501	6-15
102901901	11-13	103384601	3-7	103572501	13-3
102902001	11-13	103384701	3-7	103615601	7-9
102902101	11-13	103384801	3-7	103615801	7-13
102902201	11-13	103386201	7-3	103615901	7-11

INDEX

- 103616401 7-11
103616501 7-5
103616601 7-5
103616701 7-5
103616901 8-9
103638601 5-13
103638701 5-13
103638702 5-13
103638801 5-13
103639401 12-39, 12-41
103647401 12-27, 12-29, 12-31, 12-33
103647402 12-27, 12-29, 12-31, 12-33
103647403 12-27, 12-29, 12-31, 12-33
103677401 1-25
103677402 1-25
103678001 1-11
103678101 1-11
103682701 12-7
103683001 1-11
103683101 12-7
103694501 2-3
103695801 12-27, 12-31
103699401 1-21
103702601 12-39, 12-41
103702602 12-39, 12-41
103702603 12-39, 12-41
103702604 12-39, 12-41
103711001 5-13
103717001 15-5
103717002 15-5
103717003 15-5
103719701 12-27, 12-31
103719801 12-29, 12-33
103720201 1-21
103744901 12-7
103745001 12-7
103756401 8-7
103760701 12-5
103774701 12-37
103777601 4-7, 4-9, 4-11, 4-13, 6-5
103779601 15-5
103781101 8-5
103793001 12-27, 12-31
103869401 15-13, 15-15
103878401 12-27, 12-29, 12-31, 12-33
103930201 12-27, 12-31
96704416 7-15
- A**
A-arm, three-piece 5-11
absorber, front shock 5-11
absorber, rear shock 5-15, 5-17, 5-19
AC cord 15-3, 15-5, 15-7, 15-9, 15-11, 15-13, 15-15
AC cord bushing 15-3, 15-5
AC cord receptacle 15-11
- accelerator cable 8-13
accelerator pedal 4-7, 4-9, 4-11, 4-13, 6-5
accelerator pedal adjustment tool 16-3
access panel 1-23, 1-25
adapter
 cable (IQDM) 16-5
 MCOR 12-7
adhesive, guide ring 16-3
air filter 8-15
air filter canister evacuation valve 8-15
air intake assembly 8-15
air intake cover 8-15
air intake hose 8-15
AM1220301 16-7
ammeter 15-3, 15-5, 15-7, 15-9, 15-11, 15-13, 15-15
arbor 16-3
arm
 governor 11-3, 11-9
 pivot 11-3
 rocker 7-9
armature 13-3
armrest 1-17
armrest 4 pass 1-31, 1-35, 1-37, 1-39
assembly
 axle 11-7
 brake lever 4-3
 brush holder 6-17
 connecting rod 7-13
 cylinder head 7-9
 drive hub 10-3
 driven clutch 10-5
 driven clutch fixed-face 10-5
 float 8-9
 frame and field (motor) 13-3
 fuel tank vent 8-3, 8-5
 governor 11-5, 11-11
 idle screw 8-9
 moveable-face 10-3, 10-5
 pilot air screw 8-9
 plug cap 7-5
 score card plate 5-5
 secondary clutch weight 10-3
axle 11-7, 11-13, 14-3
axle shaft oil seal 11-7, 11-13, 14-3
axle tube 11-7, 11-13, 14-3
- B**
backing plate, brake 4-3
backrest, beige 1-19, 1-21, 1-31, 1-35
backrest, black 1-19, 1-21, 1-31
backrest, gray 1-19, 1-21, 1-31, 1-39
backrest, white 1-19, 1-21, 1-31, 1-37
bag hoop 1-19, 1-21
bag strap 1-19, 1-21
bag strap buckle 1-19, 1-21
ball bearing 5-9, 6-17, 7-11
ball joint 5-9
ball stud 6-11
ball, shifter 11-5
ball, steel pressure relief 7-7
bar, drive 12-7
barb, vent 8-3, 8-5
barrel, plastic 1-19, 1-21, 1-31, 1-33, 1-35, 1-37, 1-39, 4-7, 4-9, 4-11, 4-13, 12-31, 12-33
battery
 (gasoline vehicle) 6-21
 8-volt, 8VGCXC 12-27, 12-31
 8-volt, CR165 12-27, 12-31
 8-volt, CR190 12-29, 12-33
 8-volt, GC8 12-27, 12-31
 8-volt, T875 12-27, 12-31
 8-volt, Trojan T890 12-29, 12-33
battery bucket 12-27, 12-29, 12-31, 12-33
battery cap, 8-volt 12-27, 12-29, 12-31, 12-33
battery charger 15-3, 15-5, 15-7, 15-9, 15-11
battery charger case 15-3, 15-5, 15-7, 15-9, 15-11, 15-13, 15-15
battery charger transformer 15-5, 15-7, 15-9, 15-11, 15-13, 15-15
battery charger wire harness 12-11, 12-15, 12-19, 12-23
battery charger, onboard, 48-volt 15-13
battery charger, onboard, international 15-15
battery clamp 6-21
battery cross rod tube 12-27, 12-29, 12-31, 12-33
battery discharge machine 16-3
battery hold-down 12-27, 12-29, 12-31, 12-33
battery light 12-3
battery terminal protector spray 16-3
battery thermometer 16-3
bead, ferrite 12-43
beam, rear bumper 1-23, 1-25
bearing 14-3
 ball 5-9, 6-17, 7-11
 ball (motor) 13-3
 cage roller 11-11
 idler 10-3
 inner axle tube 11-7, 14-3
 needle 11-5
 outer axle tube 11-7
bearing and oil seal remover 16-3
bearing driver set 16-3
bearing puller 16-3
bearing puller wedge 16-3
beauty panel, front 1-5
beauty panel, rear 1-23, 1-25
bellows, steering 5-9
belt, drive 10-3
belt, starter/generator 6-19, 10-3
belt, V 6-19, 10-3
bezel, FNR 6-11

INDEX

- body kick plate 1-13
 - body kick plate (ele) 1-15
 - body kick plate (gas) 1-13
 - body, rear 1-23, 1-25
 - body, under 1-23, 1-25
 - bolt
 - battery, "S" hold-down 12-27, 12-29, 12-31, 12-33
 - bolt, U- 1-35, 1-37, 1-39, 5-19
 - boot, switch 12-25
 - bottom, seat, beige 1-17
 - bottom, seat, gray 1-17
 - bottom, seat, white 1-17
 - box, differential 11-13
 - bracket
 - accelerator cable 8-13
 - adjustable starter/generator 6-19
 - bumper, drv 1-25
 - bumper, pas 1-25
 - canopy support 1-27, 1-29
 - canopy support, drv 1-23, 1-25
 - canopy support, pas 1-23, 1-25
 - carbon canister 8-7
 - clamshell 1-11
 - equalizer 4-5
 - governor cable 8-13
 - jounce bumper 1-35, 1-37, 1-39, 5-19
 - muffler mounting 9-3
 - oil filter mount 7-7
 - oil level switch 7-11
 - relay mounting 15-9, 15-13, 15-15
 - seat bottom hinge 1-17
 - seat support, 4 pass, drv 1-31, 1-35, 1-37, 1-39
 - seat support, 4 pass, pas 1-31, 1-35, 1-37, 1-39
 - shock absorber 5-15, 5-17, 5-19
 - shock mounting 5-15, 5-17, 5-19
 - snubber 7-15
 - starter/generator mounting 6-19
 - throttle spring return 8-11
 - brake adjusting mechanism 4-3
 - brake backing plate 4-3
 - brake cable 4-5
 - brake cable release tool 16-3
 - brake cluster 4-3
 - brake drum 4-3
 - brake lever 4-3
 - brake pedal 4-7, 4-9, 4-11, 4-13
 - brake rod 4-7, 4-9, 4-11, 4-13
 - brake self-adjusting mechanism 4-3
 - brake shoe 4-3
 - brake spring 4-3
 - breaker, circuit 15-3, 15-5, 15-7, 15-9, 15-11, 15-13, 15-15
 - breather 11-3, 11-9, 14-3
 - brow 1-5
 - brow cap 1-5
 - brush 13-3
 - brush box assembly 13-3
 - brush cover kit, starter/generator 6-17
 - brush holder 6-17
 - brush inspection port cover 6-17
 - brush plate
 - starter/generator 6-17
 - brush rigging 13-3
 - brush spring 6-17, 13-3
 - brush spring set 6-17
 - brush spring, starter/generator 6-17
 - brush terminal, starter/generator 6-17
 - bucket, battery 12-27, 12-29, 12-31, 12-33
 - bucket, gas vehicle 8-3, 8-5
 - buckle, bag strap 1-19, 1-21
 - bumper 1-3
 - drive unit (motor) 13-3
 - jounce 1-35, 1-37, 1-39, 5-19
 - bumper beam, rear 1-23, 1-25
 - bumper bracket, drv 1-25
 - bumper bracket, pas 1-25
 - bushing 5-11, 5-13, 5-15, 5-17, 5-19, 10-3
 - AC cord 15-3, 15-5
 - button, drive 10-5
 - buzzer, reverse 6-3, 12-3
- ## C
- cable
 - accelerator 8-13
 - brake 4-5
 - FNR shifter 6-11
 - governor 8-13
 - IQDM 16-5
 - cable support bracket 6-11
 - calibration test module 16-3
 - cam
 - driven clutch 10-5
 - neutral lockout 6-11
 - cam installation tool 16-3
 - cam, neutral lockout 6-11
 - camshaft 7-11
 - camshaft shim 7-11
 - canister, carbon, fuel tank 8-7
 - canopy 1-27, 1-29
 - canopy drain cover 1-27, 1-29
 - canopy handle 1-27, 1-29
 - canopy support 1-27, 1-29
 - canopy support bracket, drv 1-23, 1-25
 - canopy support bracket, pas 1-23, 1-25
 - canopy support cover, drv 1-7, 1-27, 1-29
 - canopy support cover, pas 1-7, 1-27, 1-29
 - cap
 - battery, 8-volt 12-27, 12-29, 12-31, 12-33
 - dust 12-3
 - front hub 5-13
 - fuel tank 8-3, 8-5
 - key switch 6-3, 12-3
 - plug 7-5
 - cap, fuel, gas, ratchet 8-3, 8-5
 - cap, hub, 7 prong 2-3
 - cap, SAM 1-7
 - carbon canister 8-7
 - carburetor gasket 8-11
 - carburetor insulator 8-11
 - carburetor mounting gasket 8-11
 - carburetor, FE350 S26 8-9
 - card, safety first 16-7
 - case
 - battery charger 15-3, 15-5, 15-7, 15-9, 15-11, 15-13, 15-15
 - differential gear 11-7
 - gear 11-3, 11-9, 14-3
 - rocker 7-9
 - CE mark battery bucket plug kit 12-31, 12-33
 - CE mark controller 12-39
 - CE mark decal 12-31, 12-33
 - CE mark diode, tow switch 12-11, 12-15
 - CE mark ferrite bead, Fair-rite 12-43
 - CE mark ferrite bead, TDK 12-43
 - charger bezel tool 16-3
 - charger hardware kit 15-3, 15-5
 - charger receptacle 12-27, 12-29, 12-31, 12-33
 - charger wires 15-3
 - charger, battery, onboard, 48-volt 15-13
 - charger, battery, onboard, international 15-15
 - charger, battery, PD3 15-3
 - charger, battery, PowerDrive 15-7
 - charger, battery, PowerDrive 3 15-5
 - charger, battery, PowerDrive European 15-11
 - charger, battery, PowerDrive Export 15-9
 - choke botton rod 1-13, 8-15
 - choke lever 1-13, 8-15
 - circuit breaker 15-3, 15-5, 15-7, 15-9, 15-11, 15-13, 15-15
 - clamp
 - battery 6-21
 - cable retaining 8-13
 - hose 8-3, 8-5, 8-11
 - hose, green 8-7
 - leaf spring 5-13
 - muffler hose 9-3
 - clamshell bracket 1-11
 - clip, body trim 1-11, 1-23, 1-25
 - clip, score card 5-3, 5-5
 - cluster idler gear 11-5
 - cluster, brake 4-3
 - clutch alignment tool 16-3
 - clutch pulley 10-3
 - clutch repair kit 10-5
 - clutch tool kit 16-3

INDEX

clutch weight 10-3
clutch, drive 10-3
clutch, driven 10-5
collet 7-9
column, steering 5-7
comfort grip steering wheel 5-3
comfort grip steering wheel kit 5-3
communication display module 16-5
component mounting plate 12-39, 12-41
compression gauge 16-5
compression spring 1-13, 8-15
compressor, piston ring 16-7
compressor, valve spring 16-7
computer, onboard 12-39, 12-41
connecting rod 7-13
connector tube, handrail 1-31, 1-35, 1-37, 1-39
connector, 9-pin 6-3, 6-9, 12-3
continuity tester 16-5
control board, potted 15-13, 15-15
controller shield 12-39, 12-41
controller, motor speed 12-39
 Excel 12-41
controller, motor speed (CE) 12-39
cord connector 7-11
cord reel 15-13, 15-15
cord set, DC 15-3, 15-5
cord, AC 15-3, 15-5, 15-7, 15-9, 15-11, 15-13, 15-15
cord, DC 15-7, 15-9, 15-11, 15-13, 15-15
counterbalance guide shaft 7-13
counterbalance weight 7-13
coupler, SPWS 12-35
cover
 4-passenger underbody 1-31, 1-35, 1-37, 1-39
 air intake 8-15
 brush inspection port 6-17
 canopy drain 1-27, 1-29
 crankcase 7-11
 dust 4-3
 oil pump 7-7
 steering column 5-3
 support, canopy, drv 1-7, 1-27, 1-29
 support, canopy, pas 1-7, 1-27, 1-29
cover plate 13-3
crankcase 7-13
crankcase cover 7-11
crankcase vent tube 8-11
crankshaft 7-13
crankshaft rod 7-13
crankshaft shim 7-13
current limiter 15-11
cushion, shock absorber 5-15, 5-17, 5-19
cutter, valve seat 16-7
cylinder head 7-9

D

dash 1-9
dash support assembly 5-11
DC cord 15-7, 15-9, 15-11, 15-13, 15-15
DC cord set 15-3, 15-5
decal
 battery tag 3-7
 CE mark 12-31, 12-33
 Club Car clip 3-3
 four-passenger warning 1-35, 1-37, 1-39, 3-9
 frame ground warning 3-3
 gas and governor warning 3-3
 on/off 3-3, 3-5
 operating instructions 3-3, 3-5, 5-3
 operating instructions (electric) 3-5, 5-3
 operating instructions (gas) 3-3, 5-3
 private speed mode 3-5
 rollover warning 3-3, 3-5
 rotating parts 3-3
 Run/Tow warning 3-7
 warning 3-7
 warning, Run/Tow 3-7
 water exposure 3-7
differential drive unit 14-3
differential gear 11-7, 14-3
differential gear case 11-7, 11-13
differential housing 14-3
differential idler gear 11-7
differential pin 11-7
diode, tow switch 12-11, 12-15
dipstick 7-3
drain channel 1-9
drain plug 7-7, 11-9
drain plug gasket 7-7, 11-3, 11-9
drain plug, rubber 6-17
drive bar 12-7
drive belt 10-3
drive button 10-5
drive clutch 10-3
drive clutch button 10-3
drive clutch fixed-face 10-3
drive clutch holder tool 16-3
drive clutch hub puller 16-3
drive clutch puller 16-3
drive clutch spring 10-3
drive clutch weight 10-3
drive hub 10-3
drive selector shaft 11-3, 11-9
drive unit bumper 13-3
driven clutch 10-5
driven clutch button 10-5
driven clutch cam 10-5
driven clutch cam puller 16-3
driven clutch fixed-face assembly 10-5
driven clutch puller plug 16-3

driver, drive clutch 10-3
drum, brake 4-3
dry moly lubricant 16-5
dust cap 12-3
dust cover 4-3
dust seal 5-9

E

eccentric adjustment screw 5-13
end cap, motor 13-3
end, tie rod 5-9
engine mounting plate 7-15
engine shroud 7-3
engine, FE350 S26 7-3
equalizer 4-5
exhaust system 9-3
exhaust valve 7-9

F

face, moveable 10-3, 10-5
fan housing 7-3
fan shroud 7-3
fan, flywheel 7-5
fascia 1-5
ferrite bead (CE), Fair-rite 12-43
ferrite bead (CE), TDK 12-43
field coil housing 6-17
field service pedal (group) 4-9, 4-11
fill plug 11-3, 11-9
fill plug gasket 11-9
filter
 air 8-15
 fuel 8-3, 8-5
 oil 7-7
 oil pump 7-7
fixed-face, drive clutch 10-3
fixed-face, driven clutch 10-5
float 8-9
floor cover plate 4-7, 4-9, 4-11, 4-13
floor mat 1-33, 1-35, 1-37, 1-39
floormat 1-11
floormat retainer, lh 1-11
floormat retainer, rh 1-11
flywheel 7-5
flywheel fan 7-5
flywheel fan plate 7-5
flywheel puller 16-5
FNR bezel 6-11
FNR handle 6-11
FNR housing 12-25
FNR shift lever 11-3, 11-9
FNR shifter base 6-11
FNR shifter cable 6-11
foam tape 1-23
foot deck 1-33, 1-35, 1-37, 1-39

INDEX

fork, shift 11-5, 11-11
four-passenger conversion kit 1-35, 1-37, 1-39
frame and field assembly (motor) 13-3
frame and field, starter/generator 6-17
front body beauty panel 1-5
front leaf spring 5-13
front suspension structure 5-11
fuel filter 8-3, 8-5
fuel line 8-3, 8-5, 8-11
fuel pickup tube 8-3, 8-5
fuel pump retrofit kit 8-3
fuel pump, impulse 8-3
fuel tank 8-3, 8-5
fuel tank cap 8-3, 8-5
fuel tank hold-down 8-3, 8-5
fuel tank vent 8-3, 8-5
fuse 15-7, 15-9, 15-11, 15-13, 15-15
 10-amp 6-21
 15-amp 12-25
 charger 15-3, 15-5
fuse cover, sealed 6-21

G

gasket
 air intake 8-15
 carburetor 8-11
 carburetor mounting 8-9, 8-11
 crankcase cover 7-9, 7-11
 drain plug 7-7, 11-3
 drain plug, fill plug 11-9
 exhaust 7-9, 9-3
 head 7-9
 insulator 7-9, 8-11
 liquid 11-3, 14-3, 16-5
 plug 14-3
 rocker case 7-9
gasket kit, FE350 7-9
gauge, compression 16-5
gear
 25 tooth 11-11
 28 tooth 11-11
 case 11-3, 11-9, 14-3
 cluster idler 11-5
 differential 11-7, 11-13, 14-3
 differential idler 11-7, 14-3
 differential output 14-3
 helical 7-13, 11-5, 11-7
 spur 7-13, 11-5
 steering 5-9
 synchro 11-5
gear yoke 16-5
gear, planetary 11-13
gear, speed governor 11-11
gear, sun 11-13
gearcase 14-3
governor 11-5, 11-11

governor arm 11-3, 11-9
governor cable 8-13
governor cable bracket 8-13
governor shaft installation tool 16-5
governor shield 8-11
grip, pencil 5-3, 5-5
grommet 8-3, 8-5
Grommet, Ignition 7-5
guide
 intake valve 7-9
 valve 7-9
 valve seat cutter 16-7
guide ring adhesive 16-3

H

hand rail 1-33, 1-35, 1-37, 1-39
handle, canopy 1-27
handle, FNR 6-11
handrail connector tube 1-31, 1-35, 1-37, 1-39
hardware kit, charger 15-3, 15-5
harness, instrument panel 6-3, 6-9, 12-3
harness, MCOR jumper 12-7
harness, wire 12-11, 12-15, 12-19, 12-23
harness, wire, battery charger 12-11, 12-15,
 12-19, 12-23
harness, wire, gas IP 6-3, 6-9
harness, wire, gas main 6-15
head gasket 7-9
head, cylinder 7-9
heat shrink tube 15-13, 15-15
heatsink and rectifier 15-3, 15-7, 15-9, 15-11,
 15-13, 15-15
helical gear 7-13, 11-5, 11-7
hinge 12-27, 12-29, 12-31, 12-33
hinge bracket, seat bottom 1-17
hip restraint 1-17
hip restraint, 4 pass 1-31, 1-35, 1-37, 1-39
hold-down, battery 12-27, 12-29, 12-31, 12-33
hold-down, fuel tank 8-3, 8-5
hoop, bag 1-19, 1-21
Hose
 Vent, Evap 8-7
hose clamp, green 8-7
hose, air intake 8-15
hose, fuel 8-3, 8-5
hose, SPWS 12-35, 12-37
Hose, Vent 8-7
Hose, Vent, Flare 8-7
housing
 2-pin 12-7
 3-pin 12-7, 13-3
 differential 14-3
 fan 7-3
 field coil 6-17
hub 5-13
hub cap 2-3, 5-13

hub cap, 7 prong 2-3
hub, synchronizer clutch 11-5
hydrometer 16-5

I

idle screw assembly 8-9
idler bearing 10-3
idler gear, differential 14-3
ignition coil 7-5
inner frame snubber 7-15
input shaft 14-3
insert (SAM) 1-19, 1-21, 15-13, 15-15
insert, synchronizer 11-5
instrument panel 6-3, 12-3
instrument panel harness 6-3, 6-9, 12-3
insulator gasket 7-9, 8-11
insulator, carburetor 8-11
intake assembly 8-15
intake cover 8-15
intake hose 8-15
intake pipe 8-11
intake valve 7-9
intermediate shaft 14-3
internal retaining ring pliers 16-5
IQ display module (IQDM) 16-5
IQ display module (IQDM-P) 16-5

J

J-clip 1-23, 1-25, 1-33
jet, main 8-9
jet, pilot 8-9
joint
 ball 5-9
jounce bumper 1-35, 1-37, 1-39, 5-19
jounce bumper bracket 1-35, 1-37, 1-39, 5-19

K

key
 crankshaft 7-5, 7-13
 driven clutch 10-5
 On/Off 6-3, 12-3
 square 10-5
 woodruff 11-3
key switch 6-3, 12-3
key switch cap 6-3, 12-3
kick plate (ele) 1-15
kick plate (gas) 1-13
kick plate, body 1-13
king pin 5-13
kit
 2-pin housing 12-7
 3-pin housing 12-7, 13-3
 brake cable 4-5
 brake shoe retainer 4-3
 CE battery bucket plug 12-31, 12-33

INDEX

clutch repair 10-5
comfort grip steering wheel 5-3
differential gear case 11-7
drive clutch button 10-3
drive clutch weight 10-3
driven clutch button 10-5
four-passenger 1-35, 1-37, 1-39
front hub replacement 5-13
hub cap 2-3
impulse fuel pump rebuild 8-3
IQ display module (IQDM) 16-5
IQ display module (IQDM-P) 16-5
MCOR 12-7
motor brush 13-3
motor brush spring 13-3
motor cover plate 13-3
motor speed sensor 13-3
motor terminal hardware 13-3
neutral lockout cam 6-11
PD3 hardware 15-3, 15-5
PD3 wiring 15-3
shock absorber 5-15, 5-17, 5-19
shock absorber cushion 5-15, 5-17, 5-19
shoe retainer 4-3
SPWS 12-35
tune-up 16-7

L

leaf spring 5-13, 5-17
leaf spring, front 5-13
leaf spring, rear 1-35, 1-37, 1-39, 5-15, 5-19
lever
choke 1-13, 8-15
drive selector 11-3
speed governor 11-9
transmission shift 11-3, 11-9
light
battery 12-3
oil 6-3
limit switch 6-11
limiter
current 15-11
line, fuel 8-3, 8-5, 8-11
liner, rear underbody 1-23
liquid gasket 11-3, 14-3, 16-5
low oil warning light 6-3
lubricant, dry moly 16-5
lubricant, moly-teflon 13-3, 16-5
lug nut 2-3, 2-5
lug stud 5-13, 11-7, 11-13, 14-3

M

magnet, speed sensor 13-3
main jet 8-9
manifold, 4-valve (SPWS) 12-35

mat, floor 1-11, 1-33, 1-35, 1-37, 1-39
MCOR 4-13, 12-7
MCOR adapter 12-7
mechanism, brake adjusting 4-3
meter, volt ohm 16-7
module
calibration test 16-3
communication display 16-5
moly-teflon lubricant 16-5
motor
48-volt IQ 13-3
motor brush kit 13-3
motor brush spring kit 13-3
motor bumper 13-3
motor end cap 13-3
motor magnet, speed sensor 13-3
motor speed controller 12-39
CE 12-39
Excel 12-41
motor speed sensor 13-3
motor speed sensor kit 13-3
motor terminal hardware kit 13-3
motor wire harness 12-11, 12-15, 12-19, 12-23
mounting plate, component 12-39, 12-41
moveable-face 10-3, 10-5
muffler hose clamp 9-3

N

nameplate 1-5
needle bearing 11-5
neutral lockout cam 6-11
nozzle, main 8-9
nut, lug 2-3, 2-5

O

oil conveyor 11-9
oil filler tube 7-3
oil filter 7-7
oil filter mount bracket 7-7
oil filter screen 7-11
oil filter screen plate 7-11
oil level sensor 7-11
oil level switch bracket 7-11
oil pump and rotor 7-7
oil pump cover 7-7
oil pump filter 7-7
oil pump plate 7-7
oil seal 7-9, 7-11, 7-13, 11-3, 11-5
oil warning light, low 6-3
onboard computer 12-39, 12-41
O-ring 7-3, 7-9, 7-11, 7-13, 12-35

P

paint, touch-up 16-5
paint, underbody (black) 16-5

paint, underbody (gray) 16-5
panel
access 1-23, 1-25
front body beauty 1-5
rear body beauty 1-23, 1-25
SAM 1-19, 1-21
park brake release, anod 4-7, 4-9, 4-11, 4-13, 6-5
pedal assembly 4-7, 4-9, 4-11, 4-13
pedal group 4-7, 4-9, 4-11, 4-13
pedal, accelerator 4-7, 4-9, 4-11, 4-13, 6-5
pencil grip 5-3, 5-5
pilot air screw assembly 8-9
pilot jet 8-9
pin
bow tie locking 4-5
clevis 4-5
differential 11-7
king 5-13
piston 7-13
pinion, steering 5-9
pipe, intake 8-11
piston 7-13
piston pin 7-13
piston ring 7-13
piston ring compressor 16-7
piston ring pliers 16-7
piston ring set 7-13
pivot arm 11-3
plate
backing (brake) 4-3
component mounting 12-39, 12-41
cover 13-3
engine mounting 7-15
floor cover 4-7, 4-9, 4-11, 4-13
flywheel fan 7-5
kick(gas) 1-13
oil filter screen 7-11
oil pump 7-7
score card 5-5
thrust 11-5, 11-7
pliers
internal retaining ring 16-5
piston ring 16-7
retaining ring 16-7
plug
drain 7-7, 11-9
drive clutch 10-3
driven clutch puller 16-3
fill 11-3, 11-9
rubber drain 6-17
spark 7-5
plug cap 7-5
press weldment 16-3
protector spray, battery terminal 16-3
puller

INDEX

- bearing 16-3
 - drive clutch 16-3
 - drive clutch hub 16-3
 - driven clutch cam 16-3
 - flywheel 16-5
 - seal 16-7
 - pulley
 - clutch 10-3
 - starter-generator 6-17
 - v-belt 6-17
 - pump, fuel, impulse 8-5
 - pump, impulse fuel 8-3
 - push rod 7-9
- R**
- rack and pinion 5-9
 - rack and pinion steering gear box 5-9
 - rack, steering 5-9
 - reamer, valve guide 16-7
 - rear body beauty panel 1-23, 1-25
 - rear bumper beam 1-23, 1-25
 - rear underbody support 1-23, 1-25
 - rear-facing seat 1-35, 1-37, 1-39
 - receptacle 12-27, 12-29, 12-31, 12-33
 - receptacle, AC cord 15-11
 - rectifier with heatsink 15-3, 15-7, 15-9, 15-11, 15-13, 15-15
 - reel cord 15-13, 15-15
 - regulator, voltage 6-21
 - relay 15-3, 15-5, 15-7, 15-9, 15-11, 15-13, 15-15
 - relay mounting bracket 15-9, 15-13, 15-15
 - release, anod park brake 4-7, 4-9, 4-11, 4-13, 6-5
 - remover, bearing and oil seal 16-3
 - resistor assembly 12-39, 12-41
 - restraint, hip 1-17
 - restraint, hip 4 pass 1-31, 1-35, 1-37, 1-39
 - retainer
 - brake shoe 4-3
 - shock absorber cushion 5-15, 5-17, 5-19
 - spring (drive clutch) 10-3
 - valve spring 7-9
 - retainer, floormat, lh 1-11
 - retainer, floormat, rh 1-11
 - retaining ring pliers 16-7
 - reverse buzzer 6-3, 12-3
 - rim (wheel) 2-3, 2-5
 - rim see wheel 2-5
 - ring
 - piston 7-13
 - retaining 6-11, 10-3, 10-5
 - snap 7-9, 7-13
 - spiral backup 10-3
 - synchronizer 11-5
 - Rivet, Removable 1-23, 1-25, 8-7
 - rocker arm 7-9
 - rocker case 7-9
 - rocker case gasket 7-9
 - rocker shaft 7-9
 - rocker switch 12-25
 - rod
 - brake 4-7, 4-9, 4-11, 4-13
 - connecting 7-13
 - crankshaft 7-13
 - push 7-9
 - shift 11-5
 - rotor, oil pump and 7-7
- S**
- safety first card 16-7
 - SAM 1-19
 - SAM (structural accessory module) 1-19, 1-21
 - SAM cap 1-7
 - SAM panel 1-19, 1-21
 - score card clip 5-3, 5-5
 - score card plate 5-3, 5-5
 - screen, oil filter 7-11
 - screw, eccentric adjustment 5-13
 - screw, valve clearance adjuster 16-7
 - seal
 - dust 5-9
 - lip 14-3
 - oil 7-9, 7-11, 7-13, 11-3, 11-5, 11-7, 11-13, 14-3
 - seal puller 16-7
 - sealant 11-3, 14-3
 - seat
 - spring 7-9
 - valve 7-7
 - seat back, beige 1-19, 1-21, 1-31, 1-35
 - seat back, black 1-19, 1-21, 1-31
 - seat back, gray 1-19, 1-21, 1-31, 1-39
 - seat back, white 1-19, 1-21, 1-31, 1-37
 - seat bottom 1-31, 1-35, 1-37, 1-39
 - seat bottom, beige 1-17
 - seat bottom, gray 1-17
 - seat bottom, white 1-17
 - seat bracket 1-31, 1-35, 1-37, 1-39
 - seat support bracket, 4-pass, drv 1-31, 1-35, 1-37, 1-39
 - seat support bracket, 4-pass, pas 1-31, 1-35, 1-37, 1-39
 - sensor, motor speed 13-3
 - sensor, oil level 7-11
 - shackle 5-15, 5-17, 5-19
 - shaft
 - counterbalance guide 7-13
 - drive selector 11-3, 11-9
 - input 14-3
 - intermediate 14-3
 - rocker 7-9
 - transmission 11-5, 11-11
 - shaft,reverse gear 11-11
 - shaft,secondary
 - transmission 11-11
 - shield, controller 12-39, 12-41
 - shield, debris aux 4-7, 4-9, 4-11, 4-13
 - shield, debris primary 4-7, 4-9, 4-11, 4-13
 - shield, governor 8-11
 - shift fork 11-5, 11-11
 - shift lever 11-3, 11-9
 - shift rod 11-5
 - shim, camshaft 7-11
 - shim, crankshaft 7-13
 - shock absorber (front) 5-11
 - shock absorber (rear) 5-15, 5-17, 5-19
 - shock absorber cushion 5-15, 5-17, 5-19
 - shock absorber cushion retainer 5-15, 5-17, 5-19
 - shock mounting bracket 5-15, 5-17, 5-19
 - shoe retainer kit 4-3
 - shoe, brake 4-3
 - shroud 7-3
 - steering column 5-3
 - shroud, engine 7-3
 - shroud, fan 7-3
 - sleeve 5-11, 5-13, 5-15, 5-17, 5-19
 - governor 11-5
 - synchronizer 11-5
 - snap ring 7-9, 7-13
 - snubber bracket 7-15
 - snubber, inner frame 7-15
 - solenoid, 12-volt 6-21
 - solenoid, 48-volt 12-39, 12-41
 - spark plug 7-5
 - speed controller 12-39
 - CE 12-39
 - Excel 12-41
 - speed sensor 13-3
 - speed sensor magnet 13-3
 - speed sensor, motor 13-3
 - spindle 5-13
 - spiral backup ring 10-3
 - spray, battery terminal protector 16-3
 - spring
 - brake 4-3
 - brush 6-17, 13-3
 - compression 1-13, 5-3, 5-5, 8-15
 - drive button 10-3
 - drive clutch 10-3
 - driven clutch 10-5
 - forward/reverse cam 6-11
 - leaf 5-13, 5-17
 - leaf, front 5-13
 - leaf, rear 1-35, 1-37, 1-39, 5-15, 5-19
 - shifter 11-5
 - synchronizer 11-5
 - throttle return 8-11

INDEX

valve 7-9
spur gear 7-13, 11-5
SPWS coupler 12-35
SPWS fitting, swivel T 12-35
SPWS hose 12-35, 12-37
SPWS kit 12-35
SPWS manifold 12-35
SPWS tubing 12-35
stand-offs, plastic 15-3, 15-5
starter/generator (bi-rotational) (model 114-01-4005) 6-17
starter/generator belt 6-19, 10-3
starter/generator brush cover kit 6-17
starter/generator brush plate 6-17
starter/generator brush spring 6-17
starter/generator brush terminal 6-17
starter/generator frame and field 6-17
starter/generator pulley 6-17
steel pressure relief ball 7-7
steering column 5-7
steering column bearing press tool 16-7
steering column cover 5-3
steering column retaining ring tool 16-7
steering column shroud 5-3
steering gear 5-9
steering pinion 5-9
steering rack 5-9
steering wheel 5-3, 5-5
steering wheel (comfort grip) kit 5-3
steering wheel puller tool 16-7
steering, rack and pinion gear box 5-9
stem, valve 2-3, 2-5
stiffener, flywheel side 7-15
strap, bag 1-19, 1-21
stud 7-15
lug 5-13, 11-7, 11-13, 14-3
stud, ball 6-11
support, canopy 1-27, 1-29
suppressor, voltage 15-7, 15-9, 15-11, 15-13, 15-15
suspension, front structure 5-11
switch
four-position 15-9, 15-11, 15-15
key 6-3, 12-3
limit 6-11
rocker 12-25
Tow/Run 12-25
switch rubber boot 12-25
synchro gear 11-5
synchronizer clutch hub 11-5
synchronizer insert 11-5
synchronizer sleeve 11-5
synchronizer spring 11-5
synchronizer, complete 11-11

T

12-volt solenoid 6-21
tachometer 16-7
tag, battery warning 3-7
tank, fuel 8-3, 8-5
tape, foam 1-23
tappet 7-11
tester, continuity 16-5
thermometer, battery 16-3
three-piece A-arm 5-11
throttle device
MCOR 12-7
throttle sensor, elec 12-5
throttle return spring 8-11
throttle sensor, elec 12-5
throttle spring return bracket 8-11
throttle, gas, Gen2, triac, sensor 4-7, 6-5
throttle, Gen2, no sensor 4-9, 4-11, 4-13
thrust plate 11-5, 11-7
tie rod end 5-9
tie wrap 12-27, 12-29, 12-31, 12-33, 12-43, 15-13, 15-15
tire 2-3
tire, pro tour, 205-50 x 10 2-5
tool
accelerator pedal adjustment 16-3
belt tensioning, starter/generator 16-7
brake cable release 16-3
cam installation 16-3
charger bezel 16-3
clutch alignment 16-3
drive clutch holder 16-3
governor shaft installation 16-5
steering column bearing press 16-7
steering column retaining ring 16-7
steering wheel puller 16-7
transaxle axle seal 16-7
transaxle pinion seal 16-7
transmission 16-7
tool kit, clutch 16-3
touch-up paint 16-5
tow switch diode 12-11, 12-15
Tow/Run switch 12-25
transaxle (Electric Vehicle) 14-3
transaxle axle seal tool 16-7
transaxle Graziano (gasoline vehicle), unitized 11-9
transaxle Kawasaki (gasoline vehicle), unitized 11-3
transaxle pinion seal tool 16-7
transformer 15-3
transformer, battery charger 15-5, 15-7, 15-9, 15-11, 15-13, 15-15
transmission secondary shaft 11-11
transmission shaft 11-5, 11-11
transmission tool 16-7

U

tube
axle 11-7, 11-13, 14-3
battery cross rod 12-27, 12-29, 12-31, 12-33
crankcase vent 8-11
fuel pickup 8-3, 8-5
oil filler 7-3
tubing, SPWS 12-35
Tuflok 1-23, 1-25, 8-7
tune-up kit 16-7

U

U-bolt 1-35, 1-37, 1-39, 5-15, 5-17, 5-19
underbody 1-23, 1-25
underbody cover (4-pass) 1-31, 1-35, 1-37, 1-39
underbody cover kit 1-7
underbody support, rear 1-23, 1-25
underbody, rear 1-23
unitized transaxle Graziano 11-9
unitized transaxle Kawasaki 11-3

V

valve
exhaust 7-9
intake 7-9
reed 7-9
valve clearance adjuster screw 16-7
valve guide 7-9
valve guide reamer 16-7
valve guide, intake 7-9
valve seat 7-7
valve seat cutter 16-7
valve seat cutter guide 16-7
valve seat t-wrench 16-7
valve spring 7-9
valve spring compressor 16-7
valve spring retainer 7-9
valve stem 2-3, 2-5
v-belt 6-19, 10-3
vent barb 8-3, 8-5
Vent, Barb 8-7
volt ohm meter 16-7
voltage regulator 6-21
voltage suppressor 15-7, 15-9, 15-11, 15-13, 15-15

W

warning light, low oil 6-3
warning tag, battery 3-7
wedge, bearing puller 16-3
weight
clutch 10-3
counterbalance 7-13
secondary clutch 10-3
weldment

INDEX

press 16-3
wheel 2-3, 2-5
wheel, steering 5-3, 5-5
wire harness 12-11, 12-15, 12-19, 12-23
wire harness, battery charger 12-11, 12-15,
12-19, 12-23
wire harness, Excel, MCOR 12-23
wire harness, Excel, throttle sensor 12-19
wire harness, IQ, MCOR 12-15
wire harness, IQ, throttle sensor 12-11
wire lead, ignition 7-5
wiring, charger 15-3
woodruff key 11-3
wrap, tie 12-27, 12-29, 12-31, 12-33, 12-43,
15-13, 15-15

Y

yoke support 5-9
yoke, gear 16-5



Club Car, Inc.
P.O. Box 204658
Augusta, GA 30917-4658
USA

Web www.clubcar.com
Phone 1.706.863.3000
1.800.ClubCar
Int'l +1 706.863.3000
Fax 1.706.863.5808