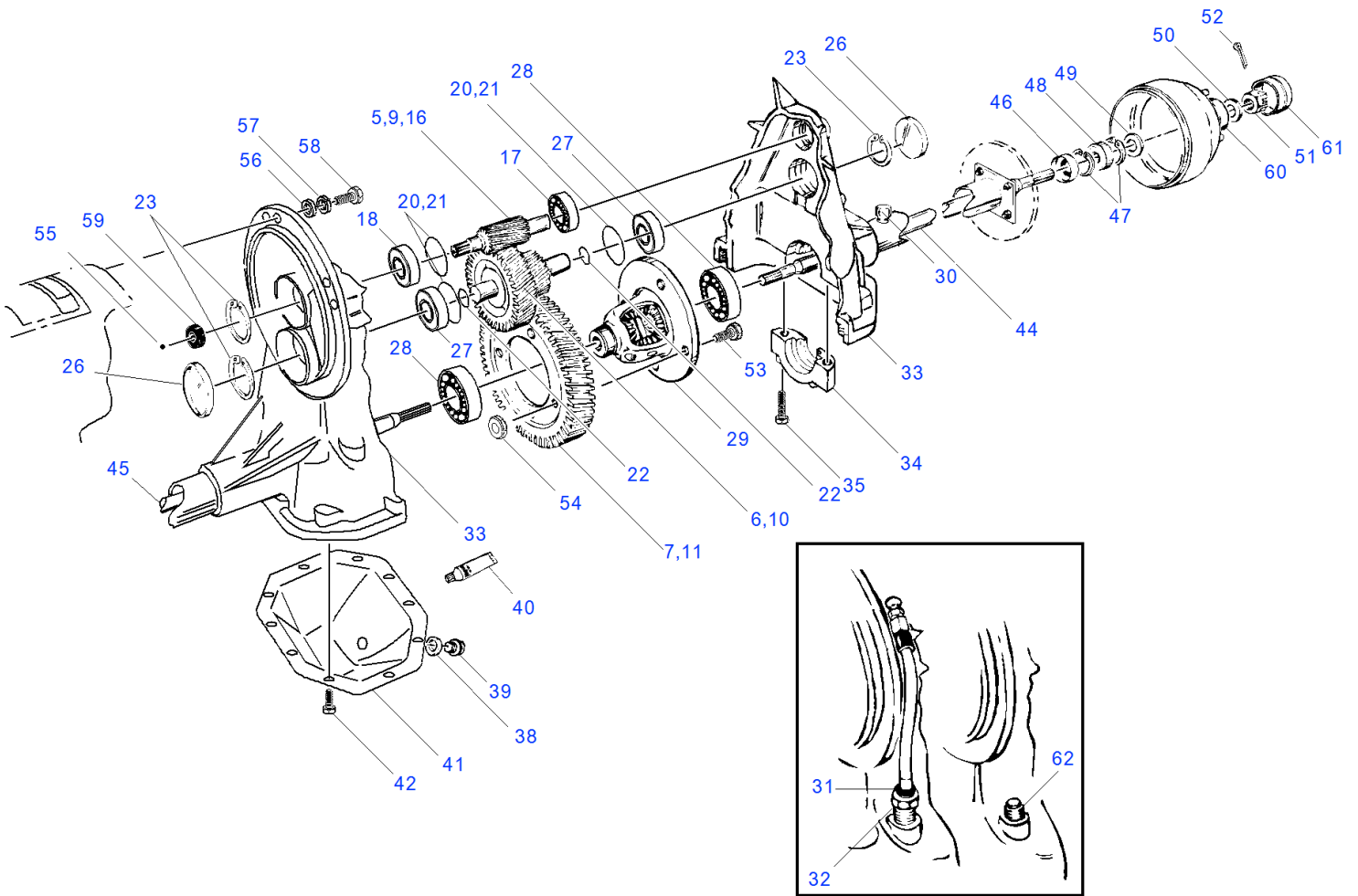


Elec Dana Axle

Dana Axle (Electric)



1992-2013 > Dana Axle (Electric)

28148G01_A-1

Elec Dana Axle

Dana Axle (Electric)

#	PART #	DESCRIPTION	QTY	Note
1	36008G01	REAR AXLE ASSEMBLY (INCLUDES ITEMS 1	1	
2	27120G01	REAR AXLE ASM (INCLUDES ITEMS 4-13)	1	
3	00554G4	Nut, 5/16	2	
4	23501G2	USE 35959G01 GEAR SET TO REPLACE 23501G2	1	
5	CNAS	COMPONENT NOT AVAILABLE SEPARATELY	1	
6	CNAS	COMPONENT NOT AVAILABLE SEPARATELY	1	
7	CNAS	COMPONENT NOT AVAILABLE SEPARATELY	1	
8	23501G3	Gear Set 12.44.1	1	
9	CNAS	COMPONENT NOT AVAILABLE SEPARATELY	1	
10	CNAS	COMPONENT NOT AVAILABLE SEPARATELY	1	
11	CNAS	COMPONENT NOT AVAILABLE SEPARATELY	1	
13	26926G01	R/B 612556 INPUT SH. KIT FOR 23501G3/602616	1	
14	26927G01	R/B 35959G01 GEAR,INPUT	1	
15	26928G01	R/B 23501G3 INPUT SHFT	1	
16	CNAS	COMPONENT NOT AVAILABLE SEPARATELY	1	
17	23520G1	BALL BEARING	1	
18	23519G1	BALL BEARING	1	
19	24627G1	SEAL SET-EL/GAS-88-PRES-DANA	1	
20	CNAS	COMPONENT NOT AVAILABLE SEPARATELY	1	
22	CNAS	COMPONENT NOT AVAILABLE SEPARATELY	2	
23	CNAS	COMPONENT NOT AVAILABLE SEPARATELY	2	
23	23530G1	RETAINING RING	1	
26	601064	END CAP PLUG	1	
27	23521G1	BALL BEARING,INTERMEDIATE GEAR	1	
28	17473G1	BALL BEARING	2	
29	18463G1	DIFFERENTIAL ASM (INCLUDES ITEMS 25-31)	1	
30	25229G1	VENT,VALVE	1	
31	25338G1	CONTROL ARM ASSY. 4-CYC **NLA**	1	
32	24878G1	NYLON FITTING - 1/2 NPT (NLA)	1	
33	CNAS	COMPONENT NOT AVAILABLE SEPARATELY	1	
34	CNAS	COMPONENT NOT AVAILABLE SEPARATELY	1	
35	15118G1	BEARING CAP SCREW	4	
38	25227G1	R/B 28610G01 WASHER-FILL PLUG (1	
39	25226G1	R/B 28610G01FILL/CHCK PLUG-DANA DIF1	1	
40	20536G2	NLA - SEALANT (7 OZ.)	1	
41	28611G01	COVER, DIFFERENTIAL	1	
42	15558G1	BOLT,/16-18 X 3/4 LG	10	
44	20377G4	AXLE SHAFT (PASSENGER SIDE)	1	
45	20377G3	AXLE SHAFT (DRIVER SIDE)	1	
46	15114G1	SEAL,AXLE	2	
47	15113G1	RING,RETAINING	4	
48	15112G1	BALL BEARING	2	
49	15485G1	WASHER, 13/16in	2	
50	15487G1	WASHER, 1 3/8in OD X 21/32in	2	
51	15483G1	CASTELLATED NUT, /8-18	2	
52	10387G1	COTTER PIN, /8in X 1 1/2in LG	2	
53	00433G1	SCREW,3/8-24 1 1/8 LG	4	

1992-2013 > Dana Axle (Electric)

Elec Dana Axle**Dana Axle (Electric)**

#	PART #	DESCRIPTION	QTY	Note
54	00532G1	NUT, 1/4 - 20	4	
55	28095G01	MOLY LUBE, 2 OZ	1	
56	00559G7	R/B 01110G01 WASHER-FL-N	1	
57	00565G7	NLA R/B 00664G7 WASHER-LOCK-	3	
58	00797G2	BOLT,/4-20 X 1 1/4"LG	3	
59	24261G1	BUMPER SPLINE	1	
60	24939G1	R/B 24939G1P SPINDLE CAP	1	
61	12091G1	R/B 12091G2	1	
62	24459G1	NLA - PLUG, VENT, LATE 1989 AND LA	1	
63	18753G1	NLA-SLIDE HAMMER KIT	1	
64	18739G1	TOOL, SEAL INSTALLATION	1	