

PARTS CATALOGUE GOLF CAR

1995 G14AM (JN3)
1996 G14AP (JN3)

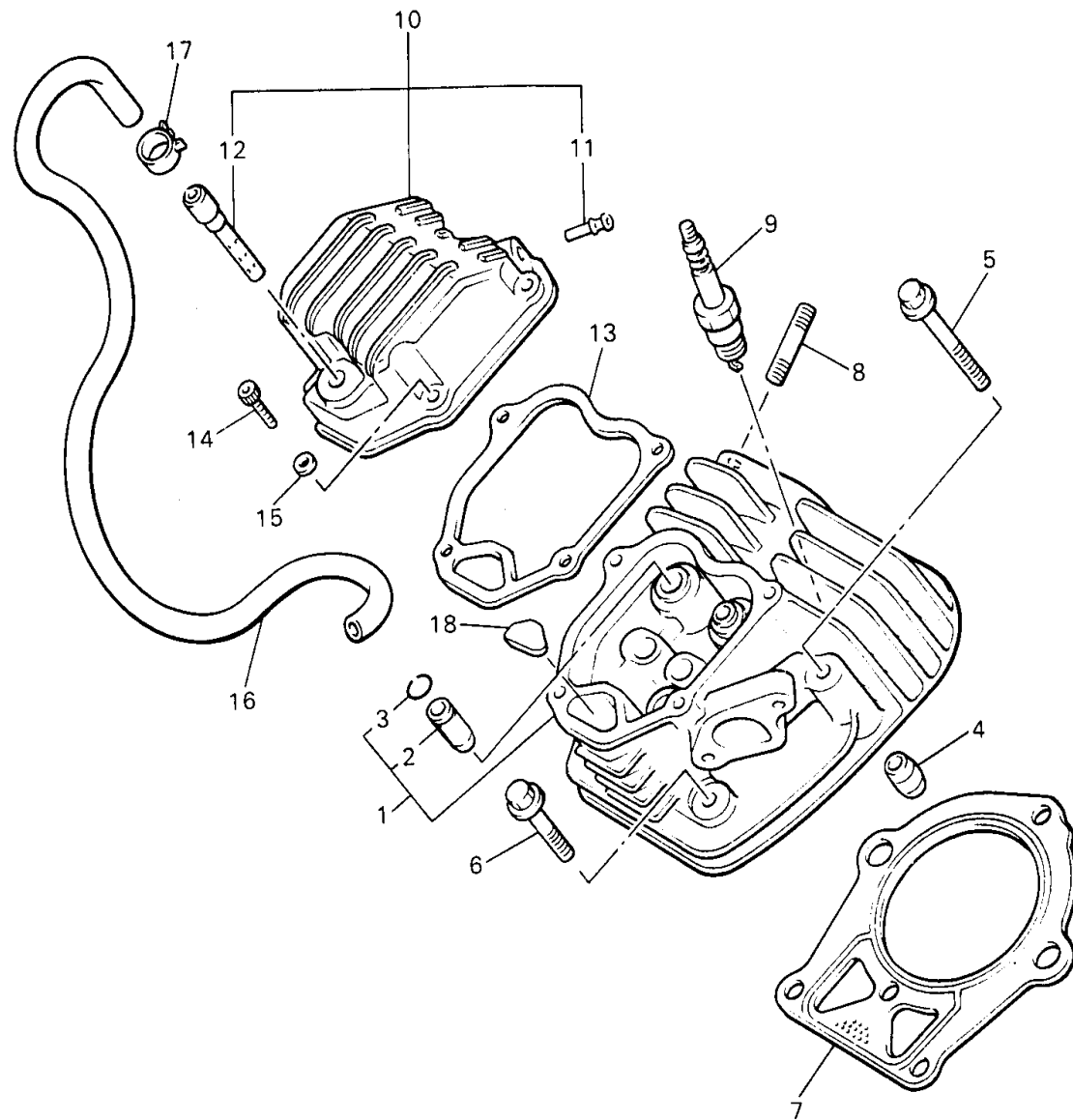
STARTING FRAME: JN3-000101 and following
STARTING FRAME: JN3-100101 and following

OWNERS LIT-19626-00-70
ASSEMBLY LIT-19666-
SERVICE LIT-11616-

CONTENTS

ACCELERATOR	B10
AIR SHROUD FAN	A5
BODY 1	C12 ,D1
BODY 2	D2-3
BODY FITTING	D4
BRAKE 1	B6-7
BRAKE 2	B8
BRAKE 3	B9
BUMPER	C11
CAMSHAFT VALVE	A4
CARBURETOR	A8
CARRIER	D5-6
CRANKCASE	A10
CRANKSHAFT PISTON	A3
CYLINDER HEAD	A2
ELECTRICAL 1	D10
ELECTRICAL 2	D11-12
ENGINE BRACKET	A11
EXHAUST	A9
FRAME	B1
FRONT SUSPENSION WHEEL	B2-3
FUEL TANK	B5
GOVERNOR	B11
INTAKE	A6-7
OPTIONAL HUB CAPS	E8
OPTIONAL LIGHT KIT	E1
OPTIONAL LIGHT KIT	
STREAMLINE JU0	E2-3
OPTIONAL SUN ROOF JN3	E6
OPTIONAL SUN ROOF JN6	E7
OPTIONAL WINDSHIELD JN3	E4
OPTIONAL WINDSHIELD JN6	E5
PRIMARY SHEAVE	B12
REAR ARM SUSPENSION	A12
REAR AXLE WHEEL-118822	C9
REAR WHEEL JN3-118823-	C10
SEAT	D7
SECONDARY SHEAVE	C1
SHIFTING LEVER 118823-	C8
STARTER GENERATOR	D8-9
STEERING	B4
TRANSAXLE 118823-	C5-7
TRANSMISSION	
JN3-000101-118822	C2-4
-MODELS IN THIS CATALOG	E9

CYLINDER HEAD



Ref. No.	Part Number	Description	Qty	Remarks
1	JN5-11102-00-00	CYLINDER HEAD ASSEMBLY .	1	
2	7KY-11133-10-00	. GUIDE, INTAKE VALVE	2	
3	93440-10085-00	. CIRCLIP	2	
4	99510-12016-00	PIN, DOWEL	2	
5	95817-08070-00	BOLT, FLANGE	3	
6	95817-08045-00	BOLT, FLANGE	3	
7	JN5-11181-00-00	GASKET, CYLINDER HEAD 1 .	1	
8	95617-08618-00	BOLT, STUD (95627-08618-00) .	2	
9	NGK-BR4ES-00-00	PLUG, SPARK (NGK BR4ES) ..	1	UR AP
	NGK-BPR2E-S0-00	PLUG, SPARK (NGK BPR2E) ..	1	STD
10	JN5-11191-00-00	COVER, CYLINDER HEAD 1 ..	1	
11	J38-11116-00-00	. JOINT, BREATHER	1	
12	JN5-11116-00-00	. JOINT, BREATHER	1	
13	JN3-11193-00-00	GASKET, HEAD COVER 1	1	
14	91317-06025-00	BOLT	4	
15	92907-06600-00	.WASHER, PLATE	4	
16	90445-130F8-00	HOSE	1	
17	90467-12052-00	CLIP	2	
18	JN5-11163-00-00	ELEMENT	1	

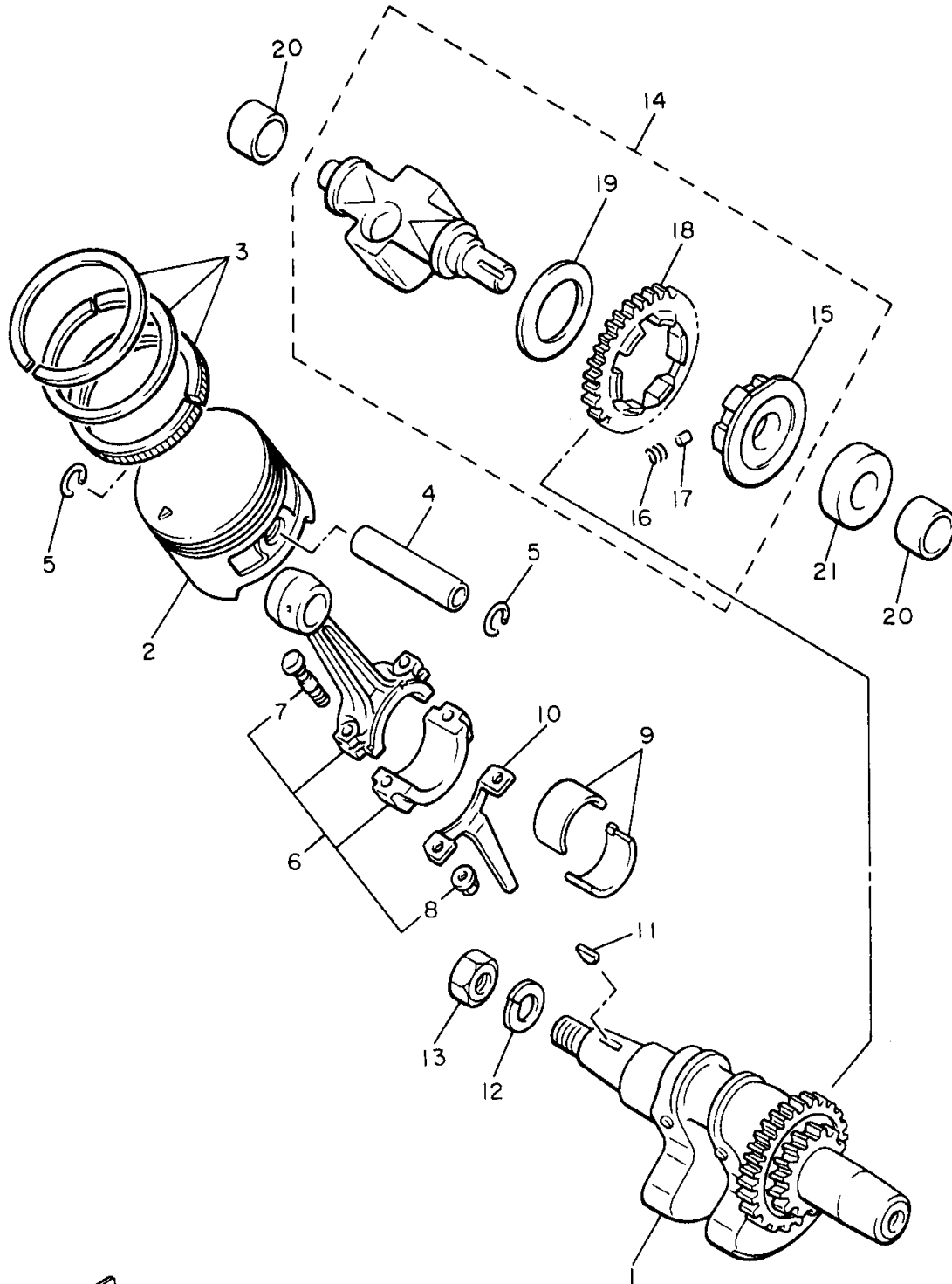
CONTENTS

ACCELERATOR	B10
AIR SHROUD FAN	A5
BODY 1	C12 ,D1
BODY 2	D2-3
BODY FITTING	D4
BRAKE 1	B6-7
BRAKE 2	B8
BRAKE 3	B9
BUMPER	C11
CAMSHAFT VALVE	A4
CARBURETOR	A8
CARRIER	D5-6
CRANKCASE	A10
CRANKSHAFT PISTON	A3
CYLINDER HEAD	A2
ELECTRICAL 1	D10
ELECTRICAL 2	D11-12
ENGINE BRACKET	A11
EXHAUST	A9
FRAME	B1
FRONT SUSPENSION WHEEL	B2-3
FUEL TANK	B5
GOVERNOR	B11
INTAKE	A6-7
OPTIONAL HUB CAPS	E8
OPTIONAL LIGHT KIT	E1
OPTIONAL LIGHT KIT	
STREAMLINE JU0	E2-3
OPTIONAL SUN ROOF JN3	E6
OPTIONAL SUN ROOF JN6	E7
OPTIONAL WINDSHIELD JN3	E4
OPTIONAL WINDSHIELD JN6	E5
PRIMARY SHEAVE	B12
REAR ARM SUSPENSION	A12
REAR AXLE WHEEL-118822	C9
REAR WHEEL JN3-118823-	C10
SEAT	D7
SECONDARY SHEAVE	C1
SHIFTING LEVER 118823-	C8
STARTER GENERATOR	D8-9
STEERING	B4
TRANSAXLE 118823-	C5-7
TRANSMISSION	
JN3-000101-118822	C2-4
-MODELS IN THIS CATALOG	E9



JN5010-4010

CRANKSHAFT PISTON



Ref. No.	Part Number	Description	Qty	Remarks
1	J38-11400-00-00	CRANKSHAFT ASSEMBLY	1	
2	JN5-11631-00-96	PISTON (STD)	1	STD
	JN5-11636-00-00	PISTON (0.50MM O/S)	1	AP
	JN5-11635-00-00	PISTON (0.25MM O/S)	1	AP
3	JN5-11610-00-00	PISTON RING SET (STD)	1	STD
	JN5-11610-10-00	PISTON RING SET (0.25MM O/S)	1	AP
	JN5-11610-20-00	PISTON RING SET (0.50MM O/S)	1	AP
4	7A9-11633-00-00	PIN, PISTON	1	
5	93450-19047-00	CIRCLIP	2	
6	J38-11650-00-00	CONNECTING ROD ASSEMBLY	1	
7	J38-11654-00-00	. BOLT, CONNECTING ROD	2	
8	90179-08327-00	. NUT	2	
9	J38-11656-00-00	BEARING, CON-ROD	2	UR (BROWN)
	J38-11656-10-00	BEARING, CON-ROD	2	UR (BLACK)
	J38-11656-20-00	BEARING, CON-ROD	2	UR (BLUE)
10	J38-11657-00-00	SPLASHER, OIL	1	
11	90280-16053-00	KEY, WOODRUFF	1	
12	92907-16100-00	WASHER	1	
13	90170-16182-00	NUT	1	
14	J38-Y1149-00-00	BALANCER ASSEMBLY	1	
15	J38-11496-00-00	. BOSS, BUFFER	1	
16	90501-21133-00	. SPRING, COMPRESSION	6	
17	93605-10090-00	. PIN, DOWEL	3	
18	J38-11531-00-00	. GEAR, BALANCE WT	1	
19	90201-201G9-00	. WASHER, PLATE	1	
20	90387-155R3-00	COLLAR	2	
21	90387-152M7-00	COLLAR	1	

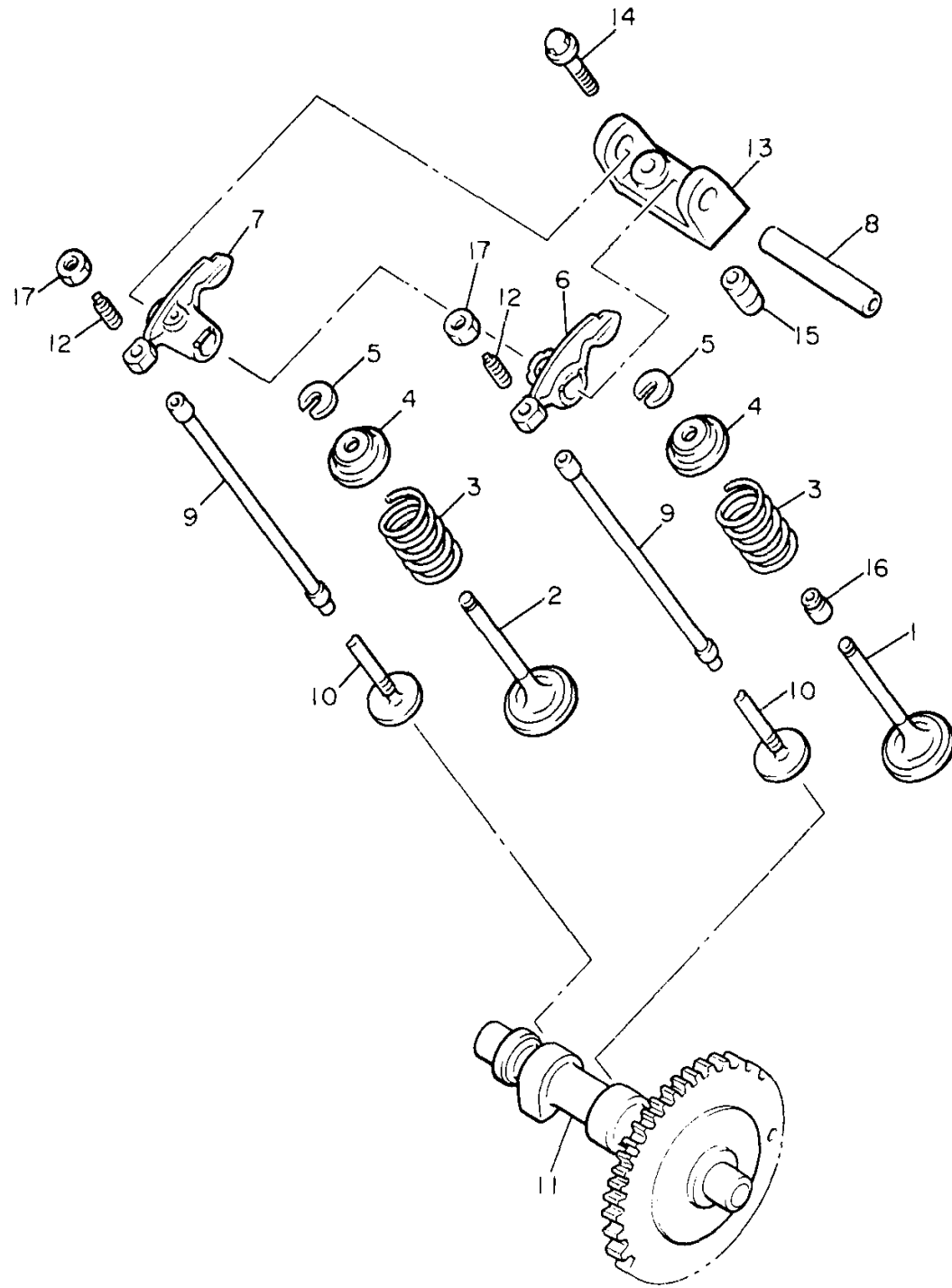
CONTENTS

ACCELERATOR	B10
AIR SHROUD FAN	A5
BODY 1	C12, D1
BODY 2	D2-3
BODY FITTING	D4
BRAKE 1	B6-7
BRAKE 2	B8
BRAKE 3	B9
BUMPER	C11
CAMSHAFT VALVE	A4
CARBURETOR	A8
CARRIER	D5-6
CRANKCASE	A10
CRANKSHAFT PISTON	A3
CYLINDER HEAD	A2
ELECTRICAL 1	D10
ELECTRICAL 2	D11-12
ENGINE BRACKET	A11
EXHAUST	A9
FRAME	B1
FRONT SUSPENSION WHEEL	B2-3
FUEL TANK	B5
GOVERNOR	B11
INTAKE	A6-7
OPTIONAL HUB CAPS	E8
OPTIONAL LIGHT KIT	E1
OPTIONAL LIGHT KIT	
STREAMLINE JU0	E2-3
OPTIONAL SUN ROOF JN3	E6
OPTIONAL SUN ROOF JN6	E7
OPTIONAL WINDSHIELD JN3	E4
OPTIONAL WINDSHIELD JN6	E5
PRIMARY SHEAVE	B12
REAR ARM SUSPENSION	A12
REAR AXLE WHEEL-118822	C9
REAR WHEEL JN3-118823-	C10
SEAT	D7
SECONDARY SHEAVE	C1
SHIFTING LEVER 118823-	C8
STARTER GENERATOR	D8-9
STEERING	B4
TRANSAXLE 118823-	C5-7
TRANSMISSION	
JN3-000101-118822	C2-4
-MODELS IN THIS CATALOG	E9



J38100-7020

CAMSHAFT VALVE



Ref. No.	Part Number	Description	Qty	Remarks
1	J38-12111-01-00	VALVE, INTAKE	1	
2	J38-12121-01-00	VALVE, EXHAUST	1	
3	90501-264A9-00	SPRING, COMPRESSION	2	
4	J38-12117-01-00	RETAINER, VALVE SPRING ..	2	
5	J38-12118-00-00	COTTER, VALVE	2	
6	J38-12151-01-00	ARM, VALVE ROCKER	1	
7	J38-12161-01-00	ARM, VALVE ROCKER 2	1	
8	J38-12156-00-00	SHAFT, ROCKER 2	1	
9	J38-12154-00-00	ROD, VALVE PUSH	2	
10	J38-12153-00-00	LIFTER, VALVE	2	
11	J38-12171-00-00	CAMSHAFT 1	1	
12	J38-12159-00-00	SCREW, VALVE ADJUSTING ..	2	
13	J38-12152-00-00	SUPPORT, ROCKER ARM	1	
14	95817-06030-00	BOLT, FLANGE	2	
15	91810-09014-00	PIN, DOWEL	2	
16	5H0-12119-00-00	SEAL, VALVE STEM	1	
17	90170-06128-00	NUT	2	

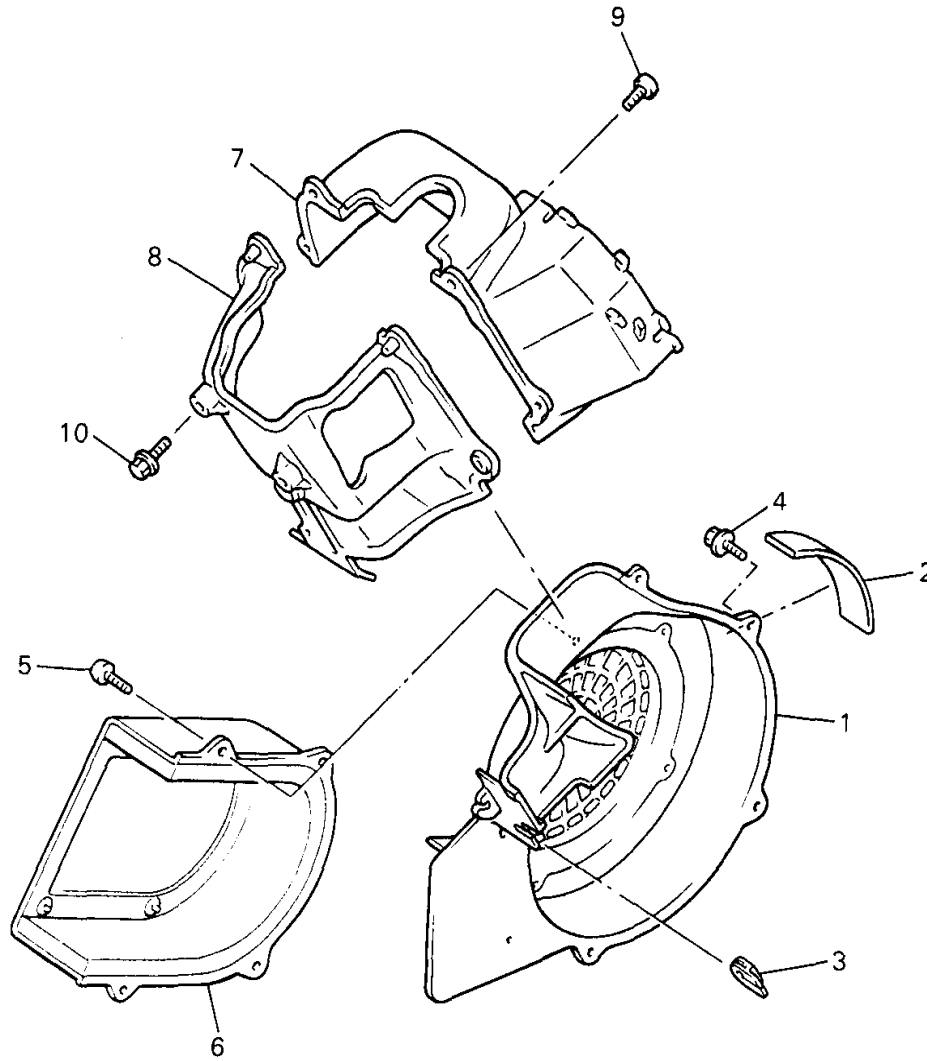
CONTENTS

ACCELERATOR	B10
AIR SHROUD FAN	A5
BODY 1	C12 ,D1
BODY 2	D2-3
BODY FITTING	D4
BRAKE 1	B6-7
BRAKE 2	B8
BRAKE 3	B9
BUMPER	C11
CAMSHAFT VALVE	A4
CARBURETOR	A8
CARRIER	D5-6
CRANKCASE	A10
CRANKSHAFT PISTON	A3
CYLINDER HEAD	A2
ELECTRICAL 1	D10
ELECTRICAL 2	D11-12
ENGINE BRACKET	A11
EXHAUST	A9
FRAME	B1
FRONT SUSPENSION WHEEL	B2-3
FUEL TANK	B5
GOVERNOR	B11
INTAKE	A6-7
OPTIONAL HUB CAPS	E8
OPTIONAL LIGHT KIT	E1
OPTIONAL LIGHT KIT	
STREAMLINE JU0	E2-3
OPTIONAL SUN ROOF JN3	E6
OPTIONAL SUN ROOF JN6	E7
OPTIONAL WINDSHIELD JN3	E4
OPTIONAL WINDSHIELD JN6	E5
PRIMARY SHEAVE	B12
REAR ARM SUSPENSION	A12
REAR AXLE WHEEL-118822	C9
REAR WHEEL JN3-118823-	C10
SEAT	D7
SECONDARY SHEAVE	C1
SHIFTING LEVER 118823-	C8
STARTER GENERATOR	D8-9
STEERING	B4
TRANSAXLE 118823-	C5-7
TRANSMISSION	
JN3-000101-118822	C2-4
-MODELS IN THIS CATALOG	E9



J38100-8030

AIR SHROUD FAN



Ref. No.	Part Number	Description	Qty	Remarks
1	JN5-12621-00-00	CASE, FAN	1	
2	JN5-12659-00-00	DAMPER, AIR SHROUD 2	1	
3	90480-20280-00	GROMMET	1	
4	95817-06020-00	BOLT, FLANGE	5	
5	97707-60520-00	SCREW, TAPPING	4	
6	J38-12640-00-00	FAN CASE COVER COMP. ...	1	
7	J38-12651-02-00	AIR SHROUD, CYLINDER 1 ...	1	
8	JN5-12652-00-00	AIR SHROUD, CYLINDER 2 ...	1	
9	97707-60516-00	SCREW, TAPPING	4	
10	90109-06513-00	BOLT	4	

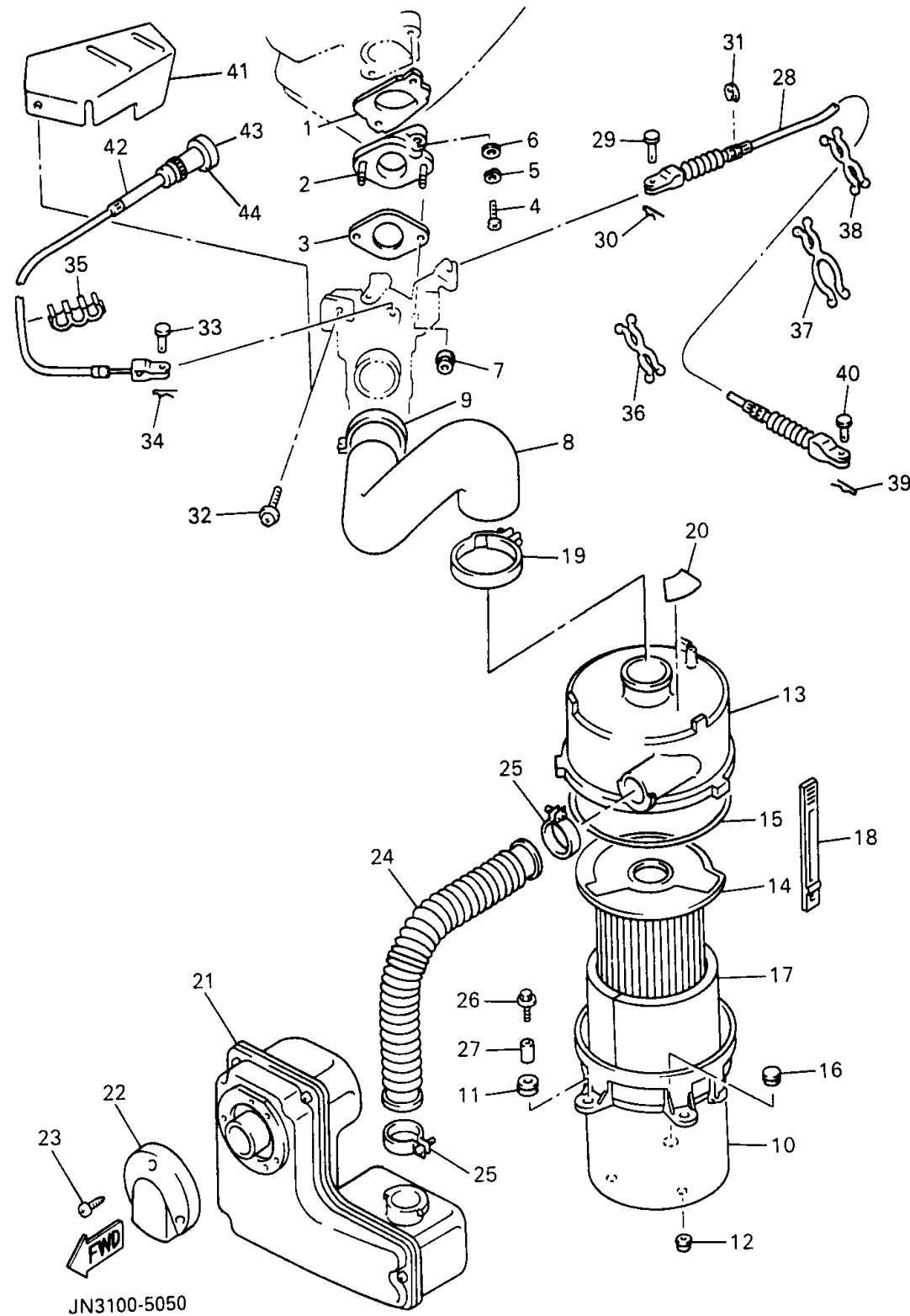
CONTENTS

ACCELERATOR	B10
AIR SHROUD FAN	A5
BODY 1	C12 ,D1
BODY 2	D2-3
BODY FITTING	D4
BRAKE 1	B6-7
BRAKE 2	B8
BRAKE 3	B9
BUMPER	C11
CAMSHAFT VALVE	A4
CARBURETOR	A8
CARRIER	D5-6
CRANKCASE	A10
CRANKSHAFT PISTON	A3
CYLINDER HEAD	A2
ELECTRICAL 1	D10
ELECTRICAL 2	D11-12
ENGINE BRACKET	A11
EXHAUST	A9
FRAME	B1
FRONT SUSPENSION WHEEL	B2-3
FUEL TANK	B5
GOVERNOR	B11
INTAKE	A6-7
OPTIONAL HUB CAPS	E8
OPTIONAL LIGHT KIT	E1
OPTIONAL LIGHT KIT	
STREAMLINE JU0	E2-3
OPTIONAL SUN ROOF JN3	E6
OPTIONAL SUN ROOF JN6	E7
OPTIONAL WINDSHIELD JN3	E4
OPTIONAL WINDSHIELD JN6	E5
PRIMARY SHEAVE	B12
REAR ARM SUSPENSION	A12
REAR AXLE WHEEL-118822	C9
REAR WHEEL JN3-118823-	C10
SEAT	D7
SECONDARY SHEAVE	C1
SHIFTING LEVER 118823-	C8
STARTER GENERATOR	D8-9
STEERING	B4
TRANSAXLE 118823-	C5-7
TRANSMISSION	
JN3-000101-118822	C2-4
-MODELS IN THIS CATALOG	E9



JN3100-5040

INTAKE



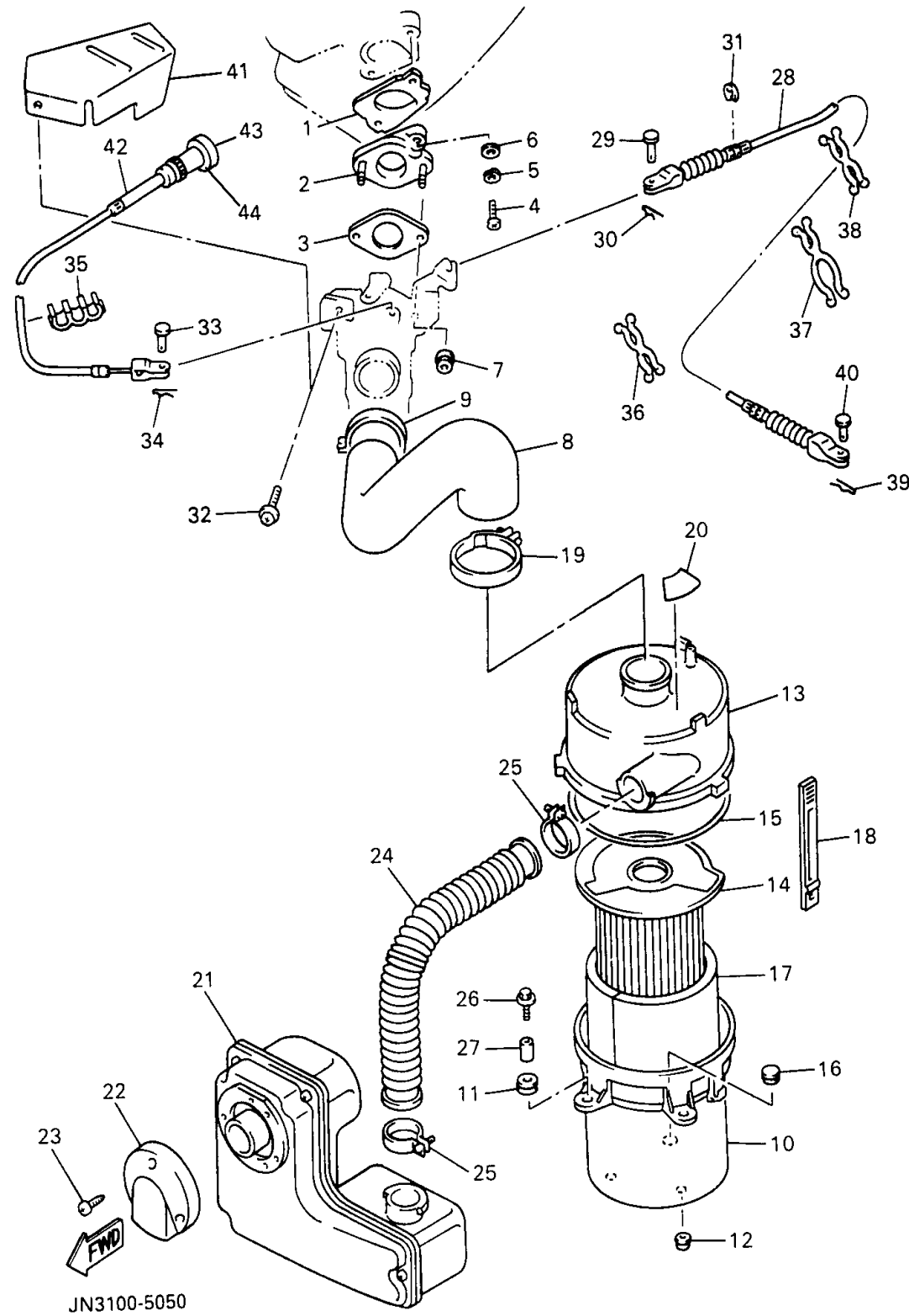
Ref. No.	Part Number	Description	Qty	Remarks
1	J38-13556-01-00	GASKET, MANIFOLD	1	
2	J38-13596-00-00	JOINT, CARBURETOR 2	1	
3	J38-13557-01-00	GASKET	1	
4	98517-06030-00	SCREW, PAN HEAD (98507-06030-00)	2	
5	92907-06100-00	WASHER, SPRING	2	
6	92907-06600-00	WASHER, PLATE	2	
7	95607-06200-00	NUT, SELF U-FLANGE	2	
8	J38-14453-01-00	JOINT, AIR CLEANER 1	1	
9	90460-53239-00	CLAMP, HOSE	1	
10	J10-14411-01-00	CASE, AIR CLEANER 1	1	
11	90480-13238-00	GROMMET	2	
12	90480-14239-00	GROMMET	2	
13	JN3-14412-00-00	CAP, CLEANER CASE 1	1	
14	JF7-14450-01-00	ELEMENT ASSEMBLY, AIR CLEANER	1	
15	JN3-14452-00-00	SEAL	1	
16	90480-14100-00	GROMMET	1	
17	J10-14417-00-00	COVER 1	1	
18	J45-14436-00-00	HOOK	3	
19	90460-43053-00	CLAMP, HOSE	1	
20	JN3-K7761-00-00	LABEL, WARNING 1	1	
21	JN5-1446A-00-00	SURGE TANK ASSEMBLY	1	
22	JN3-14417-00-00	COVER 1	1	
23	97780-50130-00	SCREW, TAPPING	3	
24	JN3-14437-00-00	DUCT	1	
25	90460-33087-00	CLAMP, HOSE	2	
26	90119-06097-00	BOLT, WITH WASHER	2	
27	90387-06026-00	COLLAR	2	
28	J38-26312-00-00	CABLE, THROTTLE 2	1	
29	91701-05010-00	PIN, CYLINDER HEAD	1	

CONTENTS

ACCELERATOR	B10
AIR SHROUD FAN	A5
BODY 1	C12, D1
BODY 2	D2-3
BODY FITTING	D4
BRAKE 1	B6-7
BRAKE 2	B8
BRAKE 3	B9
BUMPER	C11
CAMSHAFT VALVE	A4
CARBURETOR	A8
CARRIER	D5-6
CRANKCASE	A10
CRANKSHAFT PISTON	A3
CYLINDER HEAD	A2
ELECTRICAL 1	D10
ELECTRICAL 2	D11-12
ENGINE BRACKET	A11
EXHAUST	A9
FRAME	B1
FRONT SUSPENSION WHEEL	B2-3
FUEL TANK	B5
GOVERNOR	B11
INTAKE	A6-7
OPTIONAL HUB CAPS	E8
OPTIONAL LIGHT KIT	E1
OPTIONAL LIGHT KIT STREAMLINE JU0	E2-3
OPTIONAL SUN ROOF JN3	E6
OPTIONAL SUN ROOF JN6	E7
OPTIONAL WINDSHIELD JN3	E4
OPTIONAL WINDSHIELD JN6	E5
PRIMARY SHEAVE	B12
REAR ARM SUSPENSION	A12
REAR AXLE WHEEL-118822	C9
REAR WHEEL JN3-118823-SEAT	C10
SEAT	D7
SECONDARY SHEAVE	C1
SHIFTING LEVER 118823-STARTER GENERATOR	D8-9
STEERING	B4
TRANSAXLE 118823-TRANSMISSION	C5-7
JN3-000101-118822	C2-4
-MODELS IN THIS CATALOG	E9

CONTINUED ON NEXT FRAME ►

INTAKE



Ref. No.	Part Number	Description	Qty	Remarks
30	90468-10050-00	CLIP	1	
31	99080-07600-00	CIRCLIP (E)	1	
32	90159-05132-00	SCREW, WITH WASHER	2	
33	91701-05010-00	PIN, CYLINDER HEAD	1	
34	90468-10050-00	CLIP	1	
35	90468-07179-00	CLIP	1	
36	90464-10038-00	CLAMP	1	
37	90464-26114-00	CLAMP	1	
38	90464-14134-00	CLAMP	2	
39	90468-10050-00	CLIP	1	
40	91701-05010-00	PIN, CYLINDER HEAD	1	
41	JG5-E4283-00-00	COVER, CARBURETOR 1	1	
42	JF2-F6331-01-00	CABLE, STARTER 1	1	
43	1AE-26325-00-00	. KNOB, CHOKE	1	
44	90149-03132-00	. SCREW, SPECIAL SHAPE ...	1	

CONTENTS

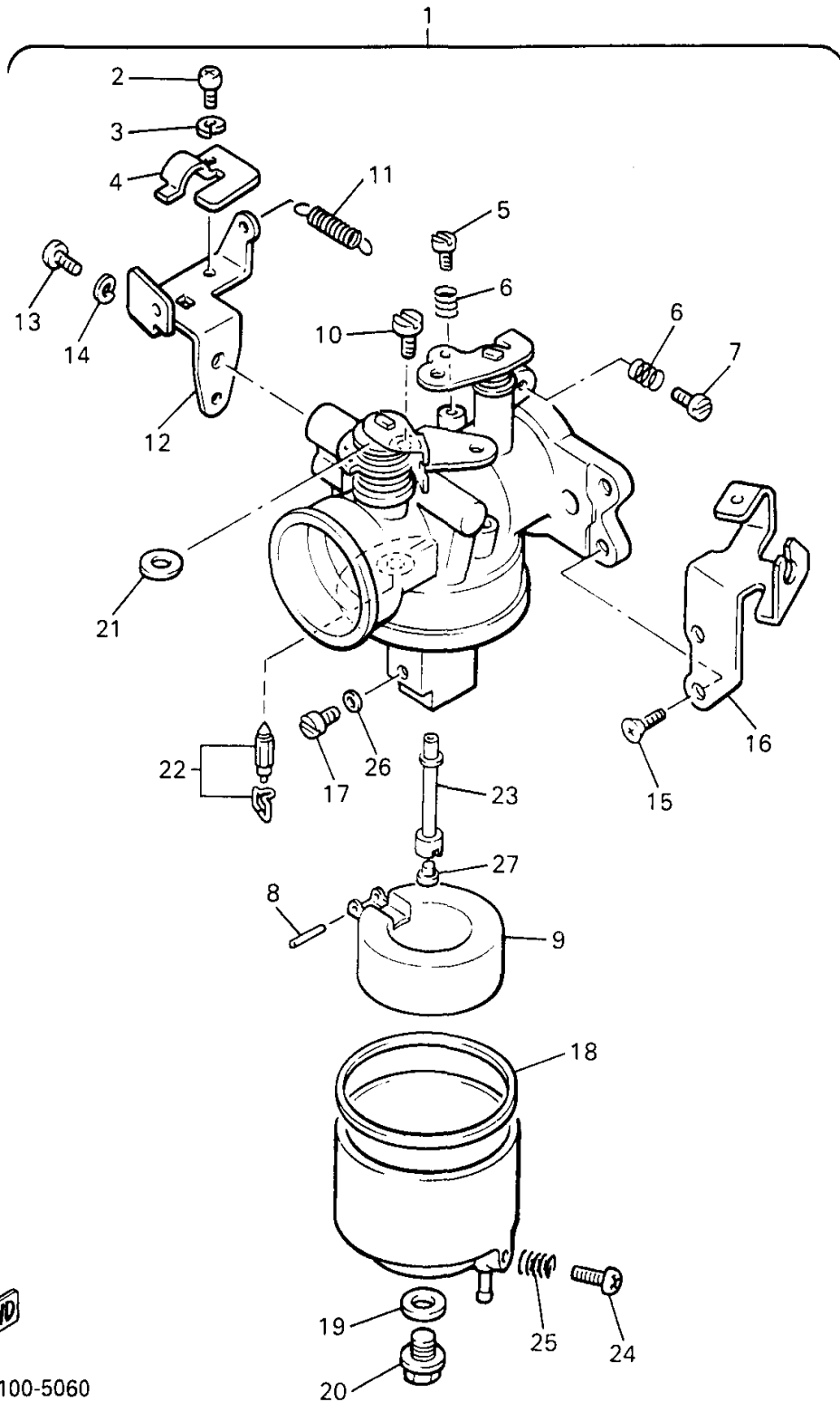
ACCELERATOR	B10
AIR SHROUD FAN	A5
BODY 1	C12 ,D1
BODY 2	D2-3
BODY FITTING	D4
BRAKE 1	B6-7
BRAKE 2	B8
BRAKE 3	B9
BUMPER	C11
CAMSHAFT VALVE	A4
CARBURETOR	A8
CARRIER	D5-6
CRANKCASE	A10
CRANKSHAFT PISTON	A3
CYLINDER HEAD	A2
ELECTRICAL 1	D10
ELECTRICAL 2	D11-12
ENGINE BRACKET	A11
EXHAUST	A9
FRAME	B1
FRONT SUSPENSION WHEEL	B2-3
FUEL TANK	B5
GOVERNOR	B11
INTAKE	A6-7
OPTIONAL HUB CAPS	E8
OPTIONAL LIGHT KIT	E1
OPTIONAL LIGHT KIT	
STREAMLINE JU0	E2-3
OPTIONAL SUN ROOF JN3	E6
OPTIONAL SUN ROOF JN6	E7
OPTIONAL WINDSHIELD JN3	E4
OPTIONAL WINDSHIELD JN6	E5
PRIMARY SHEAVE	B12
REAR ARM SUSPENSION	A12
REAR AXLE WHEEL-118822	C9
REAR WHEEL JN3-118823-	C10
SEAT	D7
SECONDARY SHEAVE	C1
SHIFTING LEVER 118823-	C8
STARTER GENERATOR	D8-9
STEERING	B4
TRANSAXLE 118823-	C5-7
TRANSMISSION	
JN3-000101-118822	C2-4
-MODELS IN THIS CATALOG	E9

CARBURETOR

Ref. No.	Part Number	Description	Qty	Remarks
1	JN3-14101-00-00	CARBURETOR ASSEMBLY 1	1	
2	98507-05008-00	. SCREW, PAN HEAD	1	
3	92990-05100-00	. WASHER, LOCK	1	
4	J38-14243-00-00	. PLATE	1	
5	75G-14211-00-00	. SCREW, PILOT ADJUSTING	1	
6	620-14212-00-00	. SPRING, PILOT ADJUSTING	2	
7	J10-14122-00-00	. SCREW, THROTTLE	1	
8	22F-14186-00-00	. PIN, FLOAT	1	
9	J38-14185-00-00	. FLOAT	1	
10	620-14142-60-00	. JET, PILOT (# 60)	1	
11	J38-14133-00-00	. SPRING, THROTTLE STOP	1	
12	JG5-14581-00-00	. BRACKET	1	
13	98580-06010-00	. SCREW, PAN HEAD (92503-06010-00)	1	
14	92995-06100-00	. WASHER, SPRING	1	
15	98707-05008-00	. SCREW, FLAT HEAD	2	
16	JG5-14291-00-00	. BRACKET 1	1	
17	3G2-1423A-71-00	. JET, MAIN (#102.5)	1	
18	796-14184-00-00	. GASKET, FLOAT CHAMBER	1	
19	127-14198-00-00	. GASKET	1	
20	7R1-14162-00-00	. BOLT, HOLDING	1	
21	J10-14597-00-00	. WASHER	1	
22	JN5-14150-00-00	. NEEDLE ASSY	1	
23	JH2-1495J-7A-00	. NOZZLE, MAIN	1	
24	7E1-14191-00-00	. PLUG, DRAIN	1	
25	73A-14212-00-00	. SCREW, PILOT ADJUSTING	1	
26	JH2-14153-00-00	. WASHER, MAIN JET	1	
27	73A-1414G-00-00	. PIPE, MAIN BLEED	1	

CONTENTS

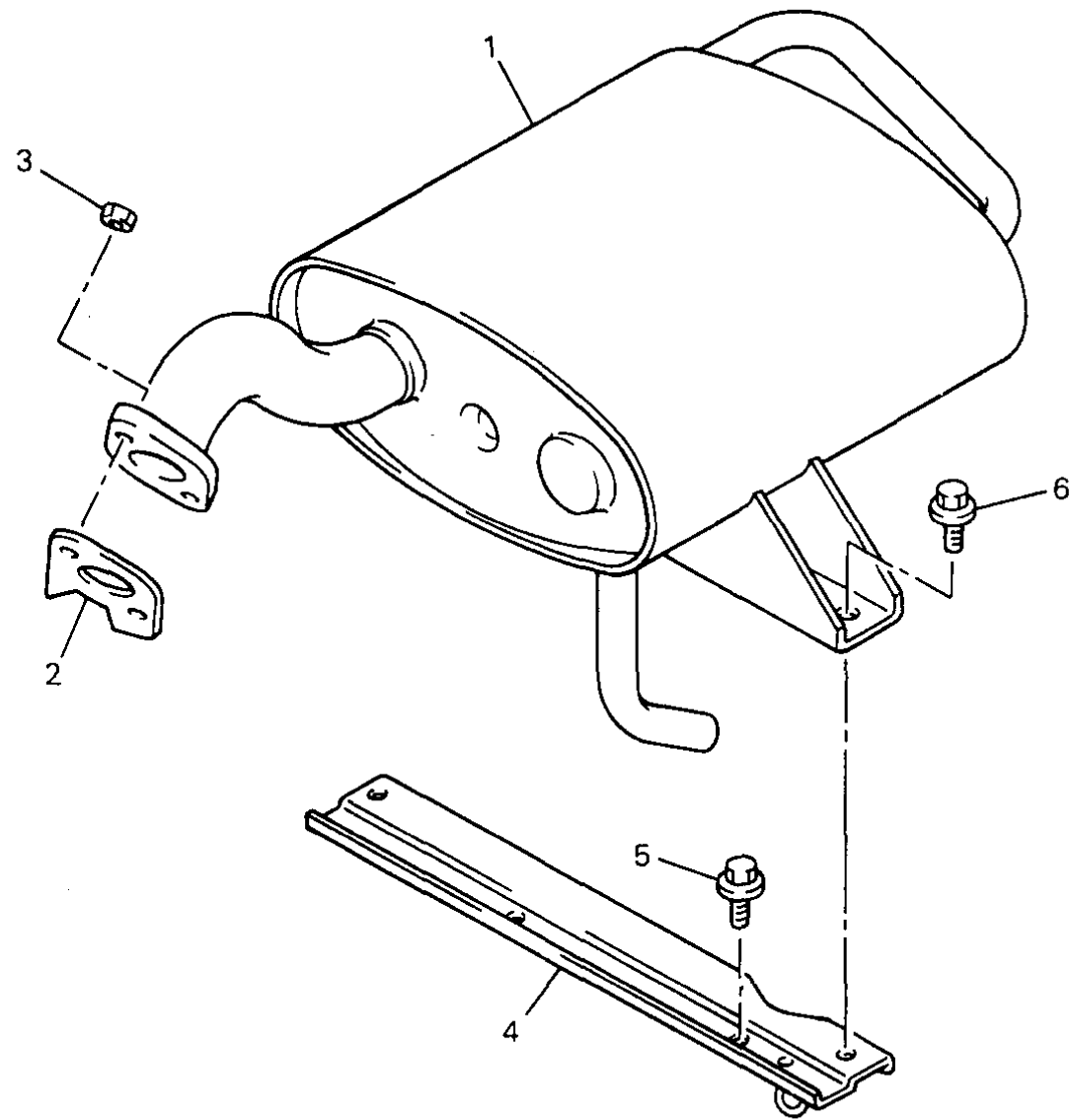
ACCELERATOR	B10
AIR SHROUD FAN	A5
BODY 1	C12, D1
BODY 2	D2-3
BODY FITTING	D4
BRAKE 1	B6-7
BRAKE 2	B8
BRAKE 3	B9
BUMPER	C11
CAMSHAFT VALVE	A4
CARBURETOR	A8
CARRIER	D5-6
CRANKCASE	A10
CRANKSHAFT PISTON	A3
CYLINDER HEAD	A2
ELECTRICAL 1	D10
ELECTRICAL 2	D11-12
ENGINE BRACKET	A11
EXHAUST	A9
FRAME	B1
FRONT SUSPENSION WHEEL	B2-3
FUEL TANK	B5
GOVERNOR	B11
INTAKE	A6-7
OPTIONAL HUB CAPS	E8
OPTIONAL LIGHT KIT	E1
OPTIONAL LIGHT KIT STREAMLINE JU0	E2-3
OPTIONAL SUN ROOF JN3	E6
OPTIONAL SUN ROOF JN6	E7
OPTIONAL WINDSHIELD JN3	E4
OPTIONAL WINDSHIELD JN6	E5
PRIMARY SHEAVE	B12
REAR ARM SUSPENSION	A12
REAR AXLE WHEEL-118822	C9
REAR WHEEL JN3-118823-	C10
SEAT	D7
SECONDARY SHEAVE	C1
SHIFTING LEVER 118823-	C8
STARTER GENERATOR	D8-9
STEERING	B4
TRANSAXLE 118823-	C5-7
TRANSMISSION JN3-000101-118822	C2-4
-MODELS IN THIS CATALOG	E9



JN3100-5060

EXHAUST

Ref. No.	Part Number	Description	Qty	Remarks
1	JN3-E4710-00-00	MUFFLER ASSEMBLY 1	1	
2	J38-14613-01-00	GASKET, EXHAUST PIPE	1	
3	95337-08600-00	NUT, HEX	2	
4	JN3-E4771-00-00	STAY, MUFFLER 1	1	
5	95027-10020-00	BOLT, FLANGE	2	
6	90119-08119-00	BOLT, WITH WASHER	2	



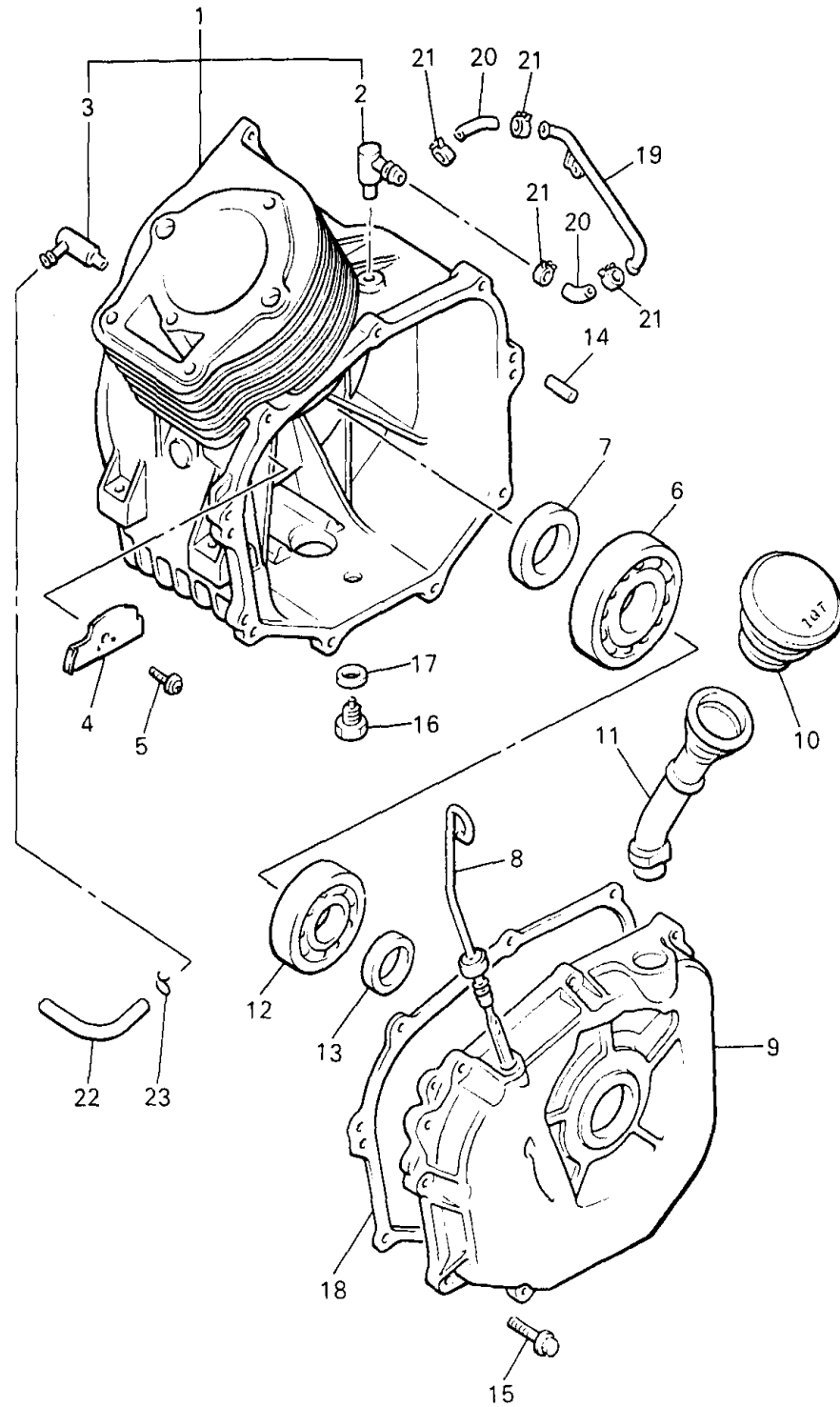
CONTENTS

ACCELERATOR	B10
AIR SHROUD FAN	A5
BODY 1	C12 ,D1
BODY 2	D2-3
BODY FITTING	D4
BRAKE 1	B6-7
BRAKE 2	B8
BRAKE 3	B9
BUMPER	C11
CAMSHAFT VALVE	A4
CARBURETOR	A8
CARRIER	D5-6
CRANKCASE	A10
CRANKSHAFT PISTON	A3
CYLINDER HEAD	A2
ELECTRICAL 1	D10
ELECTRICAL 2	D11-12
ENGINE BRACKET	A11
EXHAUST	A9
FRAME	B1
FRONT SUSPENSION WHEEL	B2-3
FUEL TANK	B5
GOVERNOR	B11
INTAKE	A6-7
OPTIONAL HUB CAPS	E8
OPTIONAL LIGHT KIT	E1
OPTIONAL LIGHT KIT	
STREAMLINE JU0	E2-3
OPTIONAL SUN ROOF JN3	E6
OPTIONAL SUN ROOF JN6	E7
OPTIONAL WINDSHIELD JN3	E4
OPTIONAL WINDSHIELD JN6	E5
PRIMARY SHEAVE	B12
REAR ARM SUSPENSION	A12
REAR AXLE WHEEL-118822	C9
REAR WHEEL JN3-118823-	C10
SEAT	D7
SECONDARY SHEAVE	C1
SHIFTING LEVER 118823-	C8
STARTER GENERATOR	D8-9
STEERING	B4
TRANSAXLE 118823-	C5-7
TRANSMISSION	
JN3-000101-118822	C2-4
-MODELS IN THIS CATALOG	E9



JN3100-5070

CRANKCASE



Ref. No.	Part Number	Description	Qty	Remarks
1	JN5-15100-00-00	CRANKCASE ASSEMBLY	1	
2	J38-15148-00-00	. NOZZLE 2	1	
3	J38-15155-00-00	. NOZZLE 3	1	
4	JN5-13610-00-00	REED VALVE ASSEMBLY	1	
5	90159-05117-00	SCREW, W/WASHER	1	
6	93306-30709-00	BEARING	1	
7	93102-35191-00	OIL SEAL	1	
8	J38-15361-00-00	GAUGE, LEVEL	1	
9	J38-15411-01-00	COVER, CRANKCASE 1	1	
10	J38-15363-00-00	PLUG, OIL	1	
11	J38-15112-00-00	PIPE, OIL	1	
12	93306-30630-00	BEARING	1	
13	93102-30195-00	OIL SEAL	1	
14	99510-08012-00	PIN, DOWEL	2	
15	95817-08035-00	BOLT, FLANGE	9	
16	97007-12020-00	BOLT	1	
17	812-11198-00-00	GASKET	1	
18	J38-15451-02-00	GASKET, CRANKCASE COVER 1	1	
19	J38-13161-00-00	PIPE, DELIVERY 1	1	
20	90445-110E6-00	HOSE	2	
21	90467-10008-00	CLIP	4	
22	90445-09304-00	HOSE	1	
23	90467-08017-00	CLIP	1	

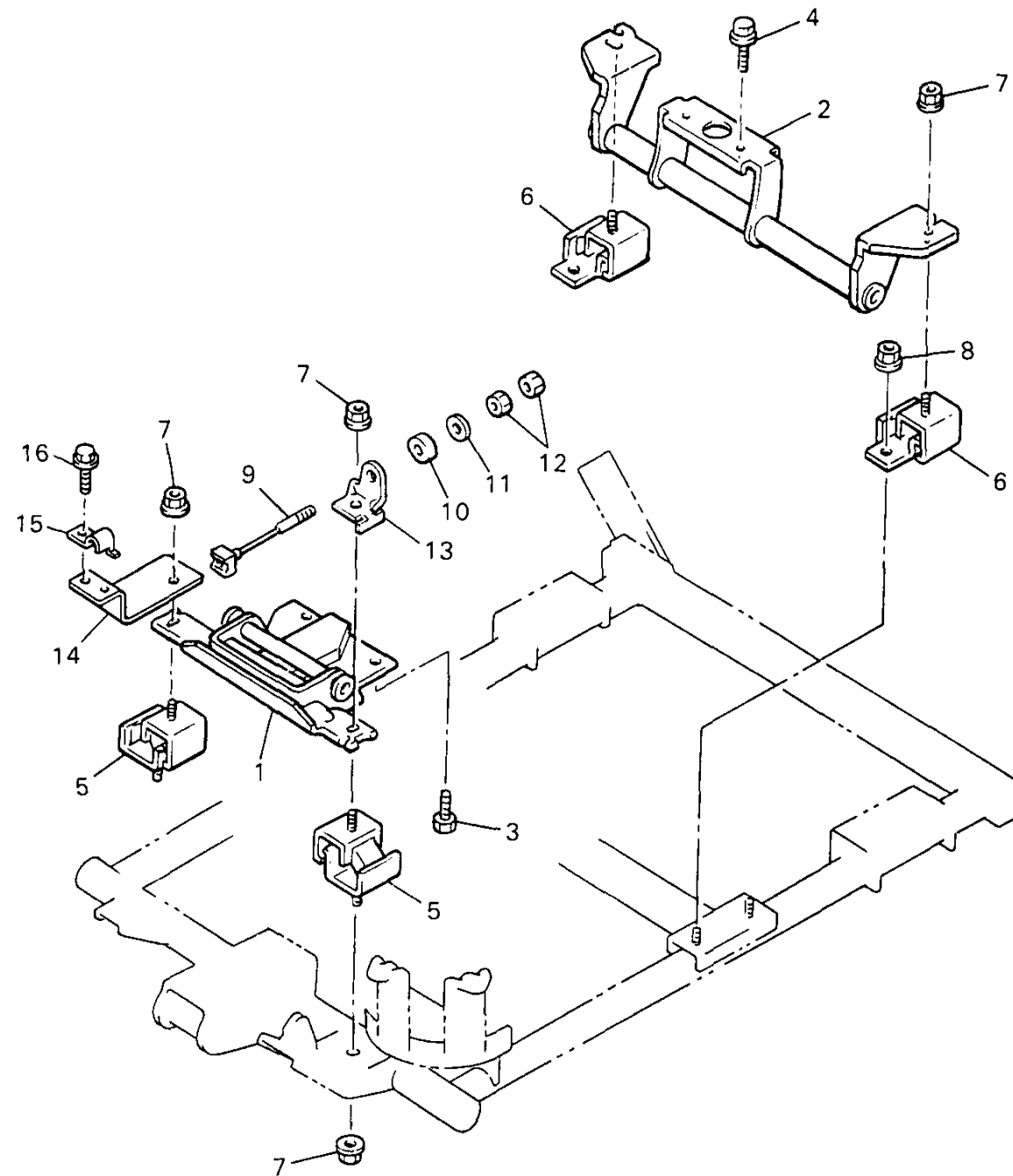
CONTENTS

ACCELERATOR	B10
AIR SHROUD FAN	A5
BODY 1	C12 ,D1
BODY 2	D2-3
BODY FITTING	D4
BRAKE 1	B6-7
BRAKE 2	B8
BRAKE 3	B9
BUMPER	C11
CAMSHAFT VALVE	A4
CARBURETOR	A8
CARRIER	D5-6
CRANKCASE	A10
CRANKSHAFT PISTON	A3
CYLINDER HEAD	A2
ELECTRICAL 1	D10
ELECTRICAL 2	D11-12
ENGINE BRACKET	A11
EXHAUST	A9
FRAME	B1
FRONT SUSPENSION WHEEL	B2-3
FUEL TANK	B5
GOVERNOR	B11
INTAKE	A6-7
OPTIONAL HUB CAPS	E8
OPTIONAL LIGHT KIT	E1
OPTIONAL LIGHT KIT	
STREAMLINE JU0	E2-3
OPTIONAL SUN ROOF JN3	E6
OPTIONAL SUN ROOF JN6	E7
OPTIONAL WINDSHIELD JN3	E4
OPTIONAL WINDSHIELD JN6	E5
PRIMARY SHEAVE	B12
REAR ARM SUSPENSION	A12
REAR AXLE WHEEL-118822	C9
REAR WHEEL JN3-118823-	C10
SEAT	D7
SECONDARY SHEAVE	C1
SHIFTING LEVER 118823-	C8
STARTER GENERATOR	D8-9
STEERING	B4
TRANSAXLE 118823-	C5-7
TRANSMISSION	
JN3-000101-118822	C2-4
-MODELS IN THIS CATALOG	E9



JN3100-5080

ENGINE BRACKET



Ref. No.	Part Number	Description	Qty	Remarks
1	J38-21411-02-00	BRACKET, ENGINE 1	1	
2	JN3-F1419-00-00	BRACKET, ENGINE 2	1	
3	95817-10025-00	BOLT, FLANGE	2	
4	95027-10040-00	BOLT, FLANGE	2	
5	J38-21486-00-00	DAMPER 2	2	
6	J38-21488-00-00	DAMPER	2	
7	95617-10200-00	NUT, SELF-LOCKING	6	
8	95707-08500-00	NUT, FLANGE	4	
9	JN3-F217J-00-00	TENSIONER 1	1	
10	J17-2214F-00-00	DAMPER 1	1	
11	90201-06778-00	WASHER, PLATE	1	
12	95317-06600-00	NUT (95307-06600-00)	2	
13	J38-2141A-00-00	BRACKET 1	1	
14	JF2-2142G-00-00	STAY 1	1	
15	JF2-2142H-00-00	STAY 2	1	
16	95807-06016-00	BOLT, FLANGE	1	

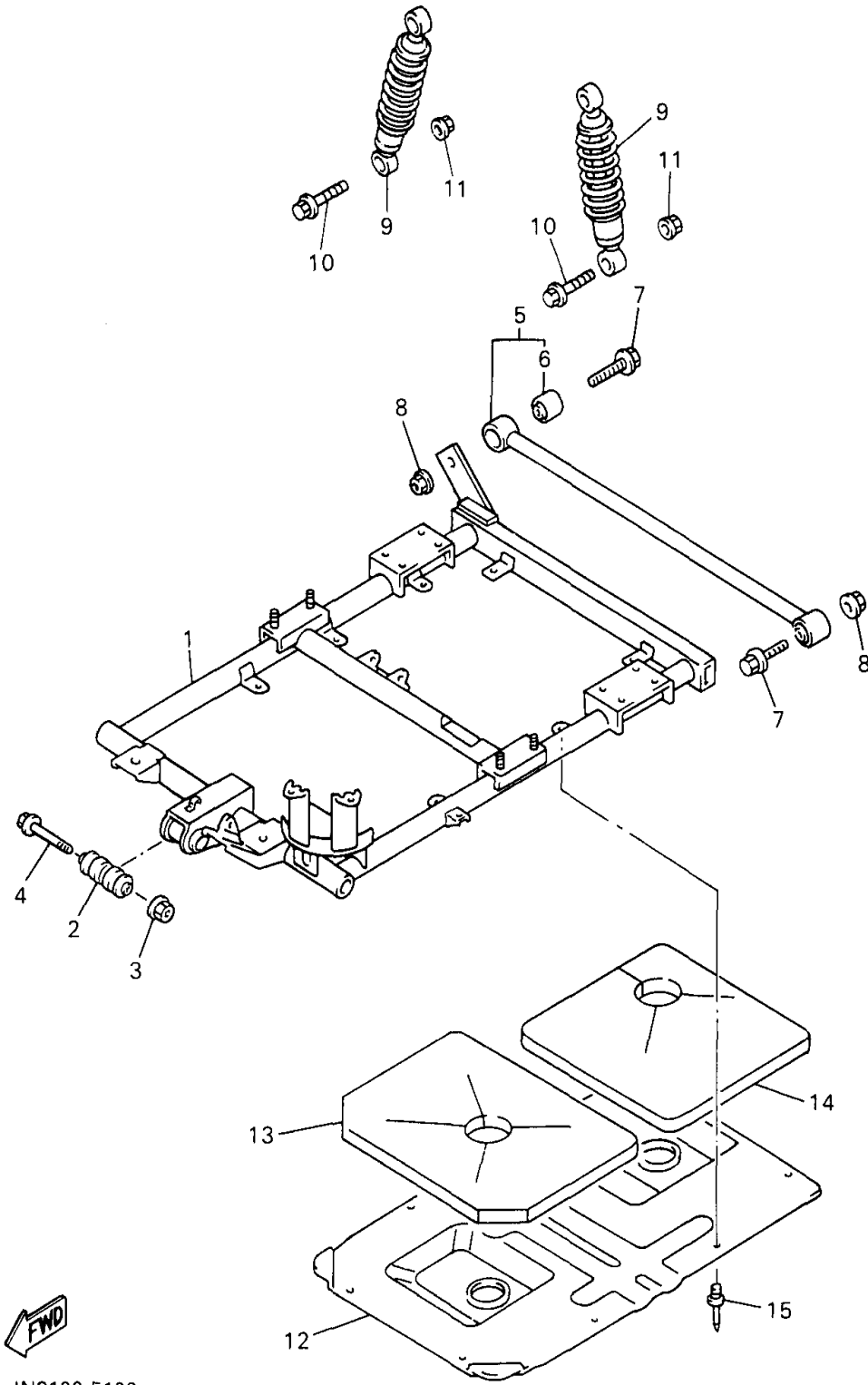
CONTENTS

ACCELERATOR	B10
AIR SHROUD FAN	A5
BODY 1	C12 ,D1
BODY 2	D2-3
BODY FITTING	D4
BRAKE 1	B6-7
BRAKE 2	B8
BRAKE 3	B9
BUMPER	C11
CAMSHAFT VALVE	A4
CARBURETOR	A8
CARRIER	D5-6
CRANKCASE	A10
CRANKSHAFT PISTON	A3
CYLINDER HEAD	A2
ELECTRICAL 1	D10
ELECTRICAL 2	D11-12
ENGINE BRACKET	A11
EXHAUST	A9
FRAME	B1
FRONT SUSPENSION WHEEL	B2-3
FUEL TANK	B5
GOVERNOR	B11
INTAKE	A6-7
OPTIONAL HUB CAPS	E8
OPTIONAL LIGHT KIT	E1
OPTIONAL LIGHT KIT	
STREAMLINE JU0	E2-3
OPTIONAL SUN ROOF JN3	E6
OPTIONAL SUN ROOF JN6	E7
OPTIONAL WINDSHIELD JN3	E4
OPTIONAL WINDSHIELD JN6	E5
PRIMARY SHEAVE	B12
REAR ARM SUSPENSION	A12
REAR AXLE WHEEL-118822	C9
REAR WHEEL JN3-118823-	C10
SEAT	D7
SECONDARY SHEAVE	C1
SHIFTING LEVER 118823-	C8
STARTER GENERATOR	D8-9
STEERING	B4
TRANSAXLE 118823-	C5-7
TRANSMISSION	
JN3-000101-118822	C2-4
-MODELS IN THIS CATALOG	E9



JN3100-5090

REAR ARM SUSPENSION



JN3100-5100

G14AM_AP

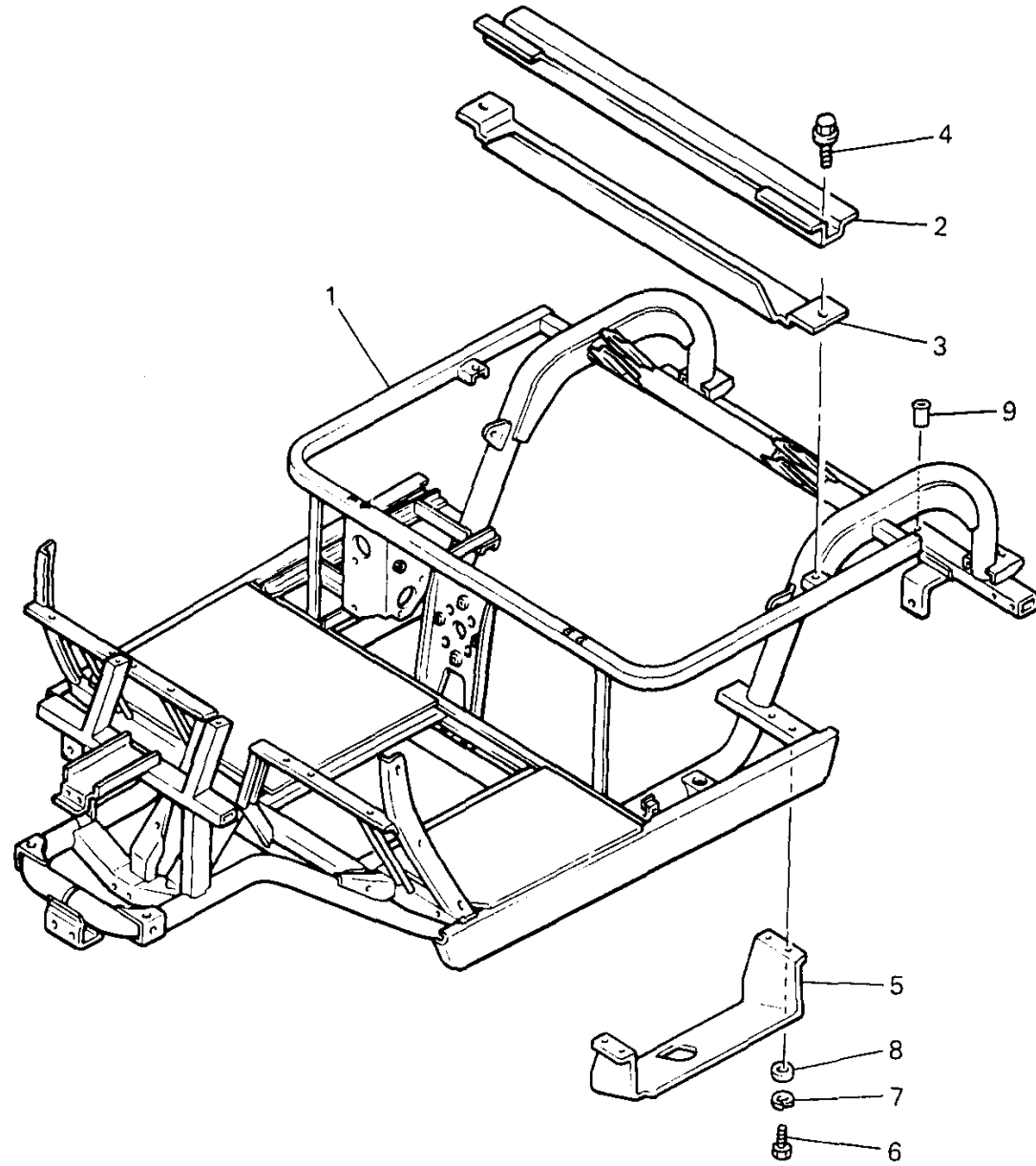
A12

Ref. No.	Part Number	Description	Qty	Remarks
1	JN3-F2110-00-00	REAR ARM COMP.	1	
2	JN3-22123-00-00	BUSH 1	1	
3	95617-12200-00	NUT, SELF-LOCKING	1	
4	90105-12743-00	BOLT, FLANGE	1	
5	JF2-22172-00-00	ARM, REAR 2	1	
6	J50-22124-00-00	BUSH 2	2	
7	95817-12065-00	BOLT, FLANGE	2	
8	95617-12200-00	NUT, SELF-LOCKING	2	
9	JN3-F2210-00-00	SHOCK ABSORBER	2	
10	95817-10055-00	BOLT, FLANGE	4	
11	95617-10200-00	NUT, SELF-LOCKING	4	
12	J38-22128-00-00	COVER, THRUST 1	1	
13	JN3-F211E-00-00	PANEL, INNER 1	1	
14	JN3-F211G-00-00	PANEL, INNER 2	1	
15	90267-40131-00	RIVET, BLIND	9	

CONTENTS

ACCELERATOR	B10
AIR SHROUD FAN	A5
BODY 1	C12 ,D1
BODY 2	D2-3
BODY FITTING	D4
BRAKE 1	B6-7
BRAKE 2	B8
BRAKE 3	B9
BUMPER	C11
CAMSHAFT VALVE	A4
CARBURETOR	A8
CARRIER	D5-6
CRANKCASE	A10
CRANKSHAFT PISTON	A3
CYLINDER HEAD	A2
ELECTRICAL 1	D10
ELECTRICAL 2	D11-12
ENGINE BRACKET	A11
EXHAUST	A9
FRAME	B1
FRONT SUSPENSION WHEEL	B2-3
FUEL TANK	B5
GOVERNOR	B11
INTAKE	A6-7
OPTIONAL HUB CAPS	E8
OPTIONAL LIGHT KIT	E1
OPTIONAL LIGHT KIT	
STREAMLINE JU0	E2-3
OPTIONAL SUN ROOF JN3	E6
OPTIONAL SUN ROOF JN6	E7
OPTIONAL WINDSHIELD JN3	E4
OPTIONAL WINDSHIELD JN6	E5
PRIMARY SHEAVE	B12
REAR ARM SUSPENSION	A12
REAR AXLE WHEEL-118822	C9
REAR WHEEL JN3-118823-	C10
SEAT	D7
SECONDARY SHEAVE	C1
SHIFTING LEVER 118823-	C8
STARTER GENERATOR	D8-9
STEERING	B4
TRANSAXLE 118823-	C5-7
TRANSMISSION	
JN3-000101-118822	C2-4
-MODELS IN THIS CATALOG	E9

FRAME



Ref. No.	Part Number	Description	Qty	Remarks
1	JN3-F2501-00-00	FRAME COMP.	1	
2	JN3-F254R-00-00	SUPPORT, BODY MOUNTING .	1	
3	JF2-K8266-00-00	PLATE, BODY PROTECT 6 ...	1	
4	95817-08016-00	BOLT, FLANGE	2	
5	JN3-F2592-00-00	PLATE 1	1	
6	97007-05012-00	BOLT	4	
7	92907-05100-00	WASHER, SPRING	4	
8	92907-05600-00	WASHER, PLATE	4	
9	90179-06874-00	NUT	2	

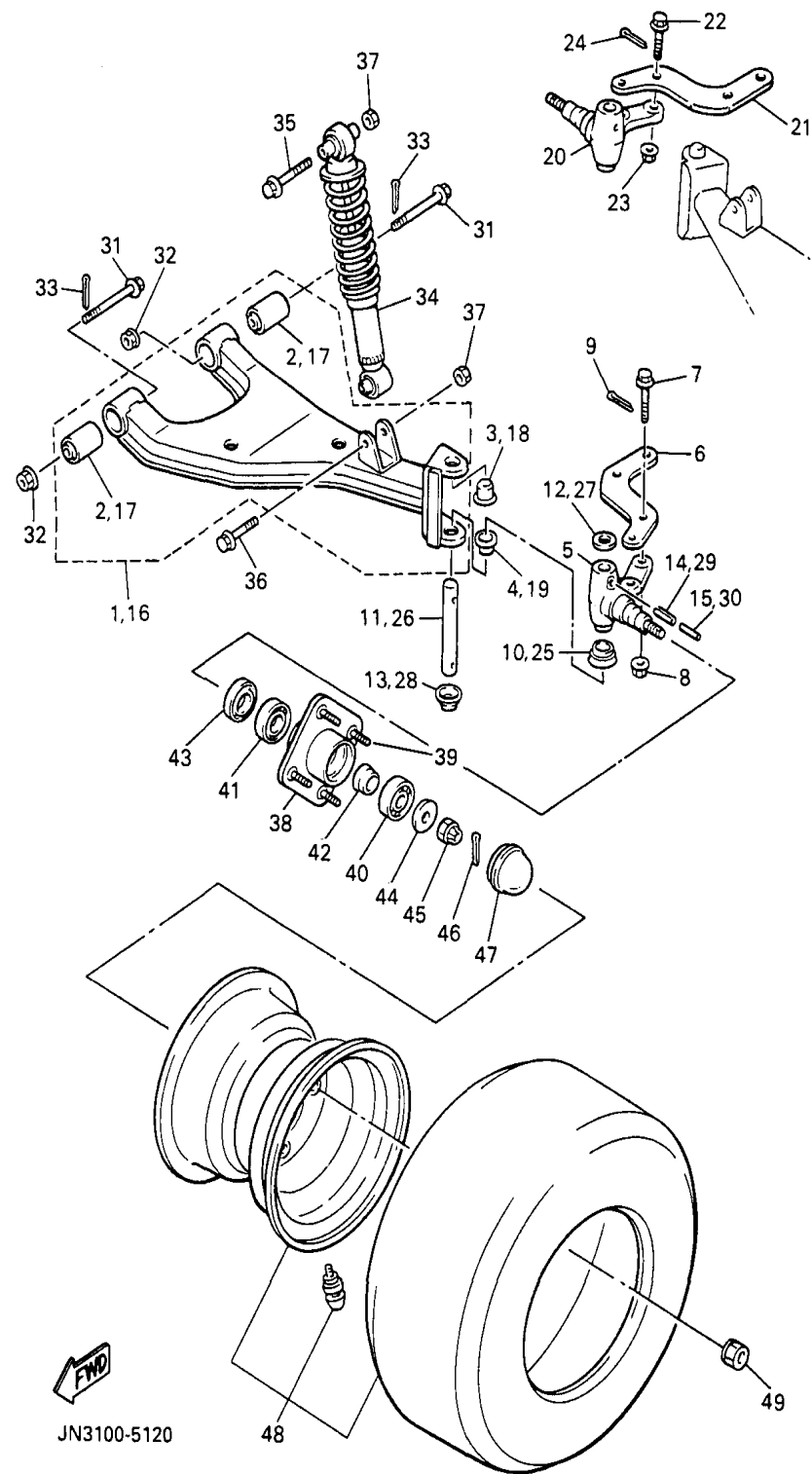
CONTENTS

ACCELERATOR	B10
AIR SHROUD FAN	A5
BODY 1	C12 ,D1
BODY 2	D2-3
BODY FITTING	D4
BRAKE 1	B6-7
BRAKE 2	B8
BRAKE 3	B9
BUMPER	C11
CAMSHAFT VALVE	A4
CARBURETOR	A8
CARRIER	D5-6
CRANKCASE	A10
CRANKSHAFT PISTON	A3
CYLINDER HEAD	A2
ELECTRICAL 1	D10
ELECTRICAL 2	D11-12
ENGINE BRACKET	A11
EXHAUST	A9
FRAME	B1
FRONT SUSPENSION WHEEL	B2-3
FUEL TANK	B5
GOVERNOR	B11
INTAKE	A6-7
OPTIONAL HUB CAPS	E8
OPTIONAL LIGHT KIT	E1
OPTIONAL LIGHT KIT	
STREAMLINE JU0	E2-3
OPTIONAL SUN ROOF JN3	E6
OPTIONAL SUN ROOF JN6	E7
OPTIONAL WINDSHIELD JN3	E4
OPTIONAL WINDSHIELD JN6	E5
PRIMARY SHEAVE	B12
REAR ARM SUSPENSION	A12
REAR AXLE WHEEL-118822	C9
REAR WHEEL JN3-118823-	C10
SEAT	D7
SECONDARY SHEAVE	C1
SHIFTING LEVER 118823-	C8
STARTER GENERATOR	D8-9
STEERING	B4
TRANSAXLE 118823-	C5-7
TRANSMISSION	
JN3-000101-118822	C2-4
-MODELS IN THIS CATALOG	E9



JN3100-5110

FRONT SUSPENSION WHEEL



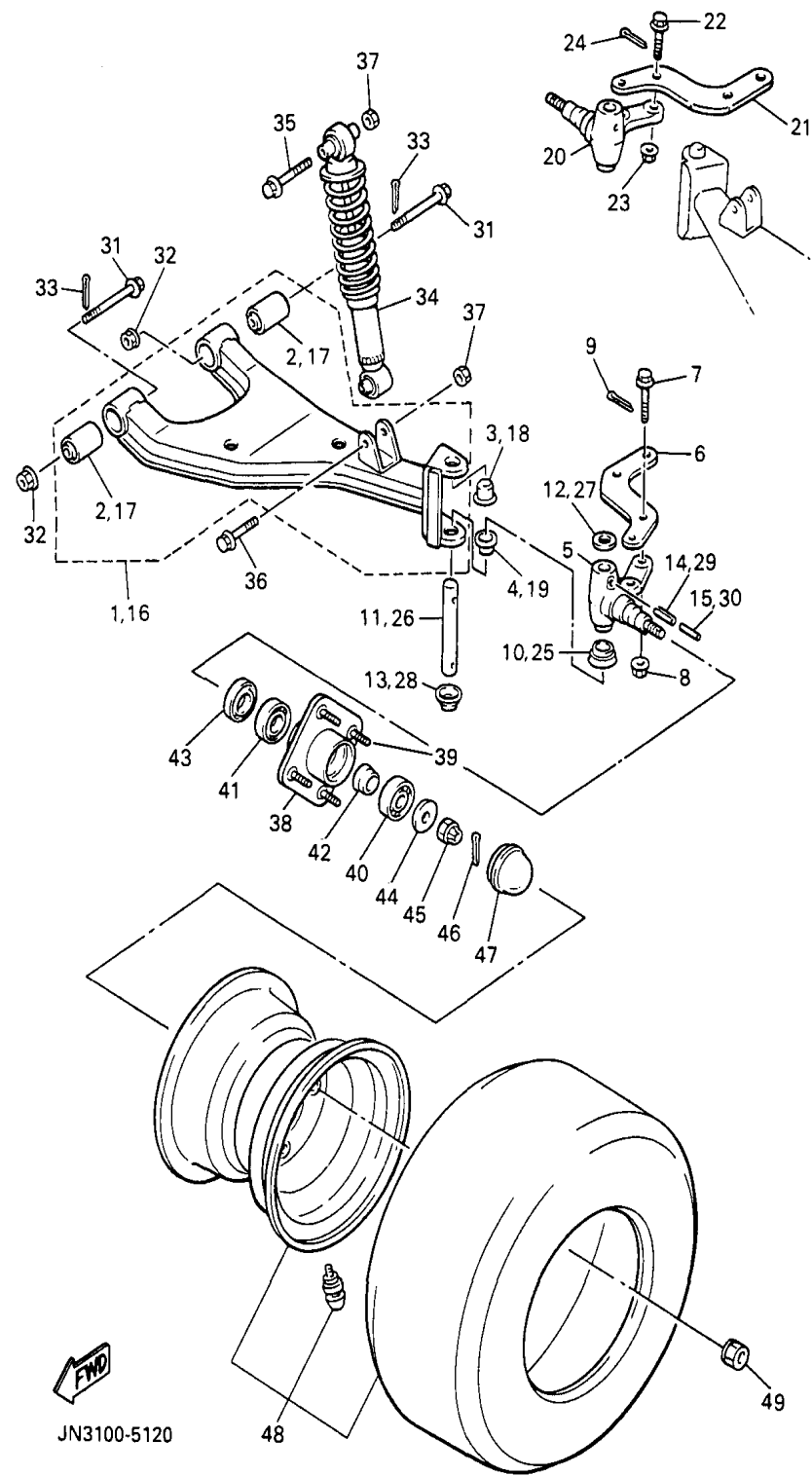
Ref. No.	Part Number	Description	Qty	Remarks
1	JN3-F3570-00-00	FRONT LOWER ARM COMP. (LEFT)	1	
2	J38-23526-00-00	. BUSH	2	
3	90338-17225-00	PLUG, STRAIGHT	1	
4	90386-15139-00	BUSH	1	
5	J38-23511-01-00	KNUCKLE, STEERING 1	1	
6	JN3-F3512-00-00	ARM, KNUCKLE	1	
7	90105-10360-00	BOLT, FLANGE	2	
8	95617-10200-00	NUT, SELF-LOCKING	2	
9	91490-25020-00	PIN, COTTER	2	
10	J38-23527-00-00	SEAL, DUST	1	
11	J38-23516-00-00	PIN, STEERING KNUCKLE	1	
12	90201-156J2-00	WASHER, PLAIN	1	
13	J38-23528-00-00	SEAL, DUST	1	
14	91609-60028-00	PIN, SPRING	1	
15	91609-35028-00	PIN, SPRING	1	
16	JN3-F3580-00-00	FRONT LOWER ARM COMP. (RIGHT)	1	
17	J38-23526-00-00	. BUSH	2	
18	90338-17225-00	PLUG, STRAIGHT	1	
19	90386-15139-00	BUSH	1	
20	J38-23521-01-00	KNUCKLE, STEERING 2	1	
21	JN3-F3512-00-00	ARM, KNUCKLE	1	
22	90105-10360-00	BOLT, FLANGE	2	
23	95617-10200-00	NUT, SELF-LOCKING	2	
24	91490-25020-00	PIN, COTTER	2	
25	J38-23527-00-00	SEAL, DUST	1	
26	J38-23516-00-00	PIN, STEERING KNUCKLE	1	
27	90201-156J2-00	WASHER, PLAIN	1	
28	J38-23528-00-00	SEAL, DUST	1	
29	91609-60028-00	PIN, SPRING	1	

CONTENTS

ACCELERATOR	B10
AIR SHROUD FAN	A5
BODY 1	C12 ,D1
BODY 2	D2-3
BODY FITTING	D4
BRAKE 1	B6-7
BRAKE 2	B8
BRAKE 3	B9
BUMPER	C11
CAMSHAFT VALVE	A4
CARBURETOR	A8
CARRIER	D5-6
CRANKCASE	A10
CRANKSHAFT PISTON	A3
CYLINDER HEAD	A2
ELECTRICAL 1	D10
ELECTRICAL 2	D11-12
ENGINE BRACKET	A11
EXHAUST	A9
FRAME	B1
FRONT SUSPENSION WHEEL	B2-3
FUEL TANK	B5
GOVERNOR	B11
INTAKE	A6-7
OPTIONAL HUB CAPS	E8
OPTIONAL LIGHT KIT	E1
OPTIONAL LIGHT KIT	
STREAMLINE JU0	E2-3
OPTIONAL SUN ROOF JN3	E6
OPTIONAL SUN ROOF JN6	E7
OPTIONAL WINDSHIELD JN3	E4
OPTIONAL WINDSHIELD JN6	E5
PRIMARY SHEAVE	B12
REAR ARM SUSPENSION	A12
REAR AXLE WHEEL-118822	C9
REAR WHEEL JN3-118823-	C10
SEAT	D7
SECONDARY SHEAVE	C1
SHIFTING LEVER 118823-	C8
STARTER GENERATOR	D8-9
STEERING	B4
TRANSAXLE 118823-	C5-7
TRANSMISSION	
JN3-000101-118822	C2-4
-MODELS IN THIS CATALOG	E9

CONTINUED ON NEXT FRAME ►

FRONT SUSPENSION WHEEL

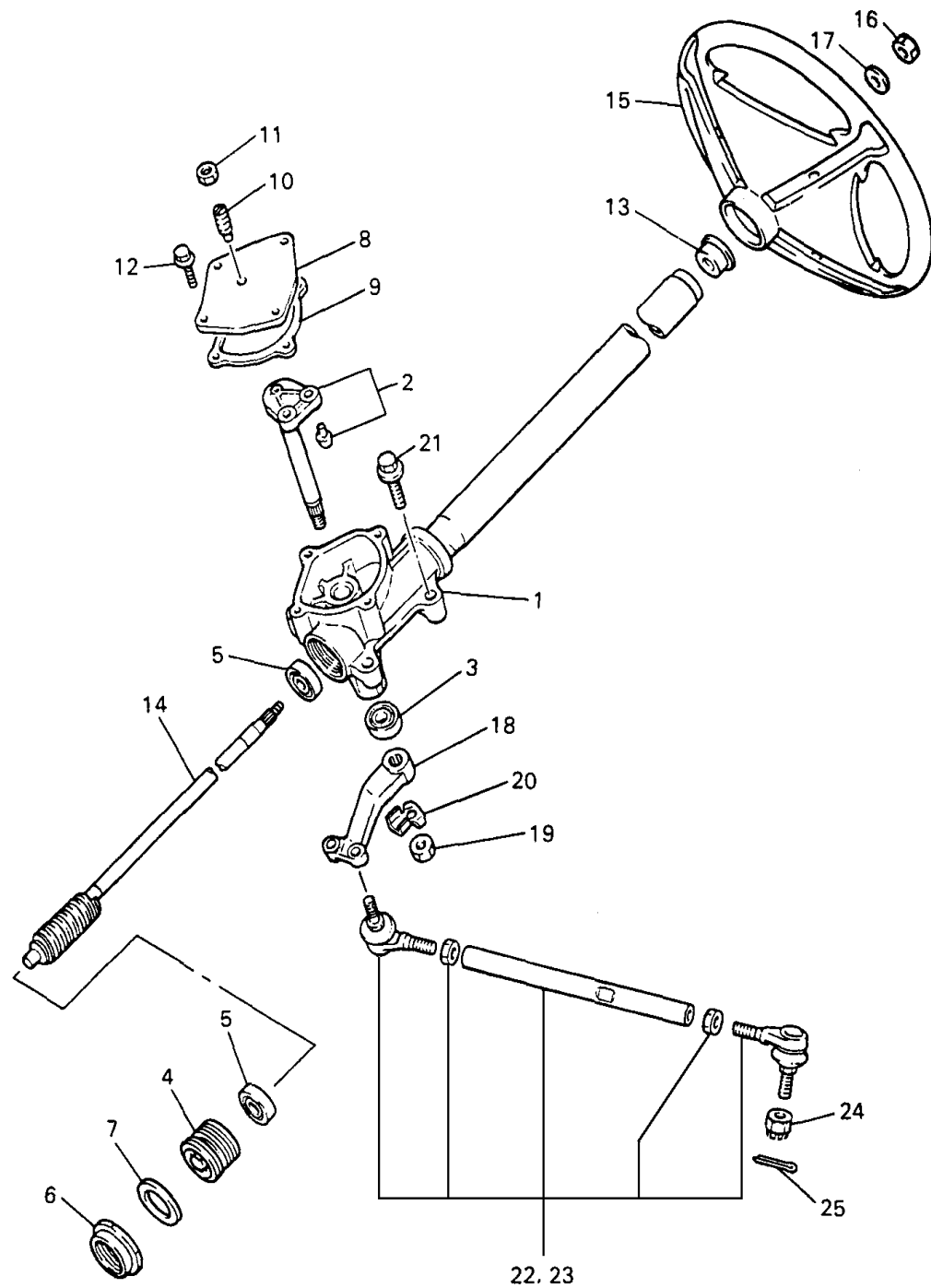


Ref. No.	Part Number	Description	Qty	Remarks
30	91609-35028-00	PIN, SPRING	1	
31	90105-10357-00	BOLT, FLANGE	4	
32	95617-10200-00	NUT, SELF-LOCKING	4	
33	91490-25020-00	PIN, COTTER	4	
34	JN3-F3350-00-00	CUSHION ASSEMBLY.	2	
35	95807-10065-00	BOLT, FLANGE	2	
36	95817-10050-00	BOLT, FLANGE	2	
37	95617-10200-00	NUT, SELF-LOCKING	4	
38	JG5-WF511-00-00	HUB	2	
39	90114-12800-00	. BOLT, RIBBED NECK	8	
40	93306-204X0-00	BEARING	2	
41	93306-005Y3-00	BEARING	2	
42	90387-241M7-00	COLLAR	2	
43	93102-30083-00	OIL SEAL	2	
44	90209-32271-00	WASHER	2	
45	95607-14100-00	NUT, U	2	
46	91490-25020-00	PIN, COTTER	2	
47	J17-25118-00-00	COVER, HUB DUST	2	
48	JN6-F5100-11-00	FRONT WHEEL ASSY, IVORY .	2	
49	90179-12262-00	NUT	8	

CONTENTS

ACCELERATOR	B10
AIR SHROUD FAN	A5
BODY 1	C12 ,D1
BODY 2	D2-3
BODY FITTING	D4
BRAKE 1	B6-7
BRAKE 2	B8
BRAKE 3	B9
BUMPER	C11
CAMSHAFT VALVE	A4
CARBURETOR	A8
CARRIER	D5-6
CRANKCASE	A10
CRANKSHAFT PISTON	A3
CYLINDER HEAD	A2
ELECTRICAL 1	D10
ELECTRICAL 2	D11-12
ENGINE BRACKET	A11
EXHAUST	A9
FRAME	B1
FRONT SUSPENSION WHEEL	B2-3
FUEL TANK	B5
GOVERNOR	B11
INTAKE	A6-7
OPTIONAL HUB CAPS	E8
OPTIONAL LIGHT KIT	E1
OPTIONAL LIGHT KIT	
STREAMLINE JU0	E2-3
OPTIONAL SUN ROOF JN3	E6
OPTIONAL SUN ROOF JN6	E7
OPTIONAL WINDSHIELD JN3	E4
OPTIONAL WINDSHIELD JN6	E5
PRIMARY SHEAVE	B12
REAR ARM SUSPENSION	A12
REAR AXLE WHEEL-118822	C9
REAR WHEEL JN3-118823-	C10
SEAT	D7
SECONDARY SHEAVE	C1
SHIFTING LEVER 118823-	C8
STARTER GENERATOR	D8-9
STEERING	B4
TRANSAXLE 118823-	C5-7
TRANSMISSION	
JN3-000101-118822	C2-4
-MODELS IN THIS CATALOG	E9

STEERING



NOTE A:
See any year G19E or G21A for individual Tie Rod components.

JN3300-5130

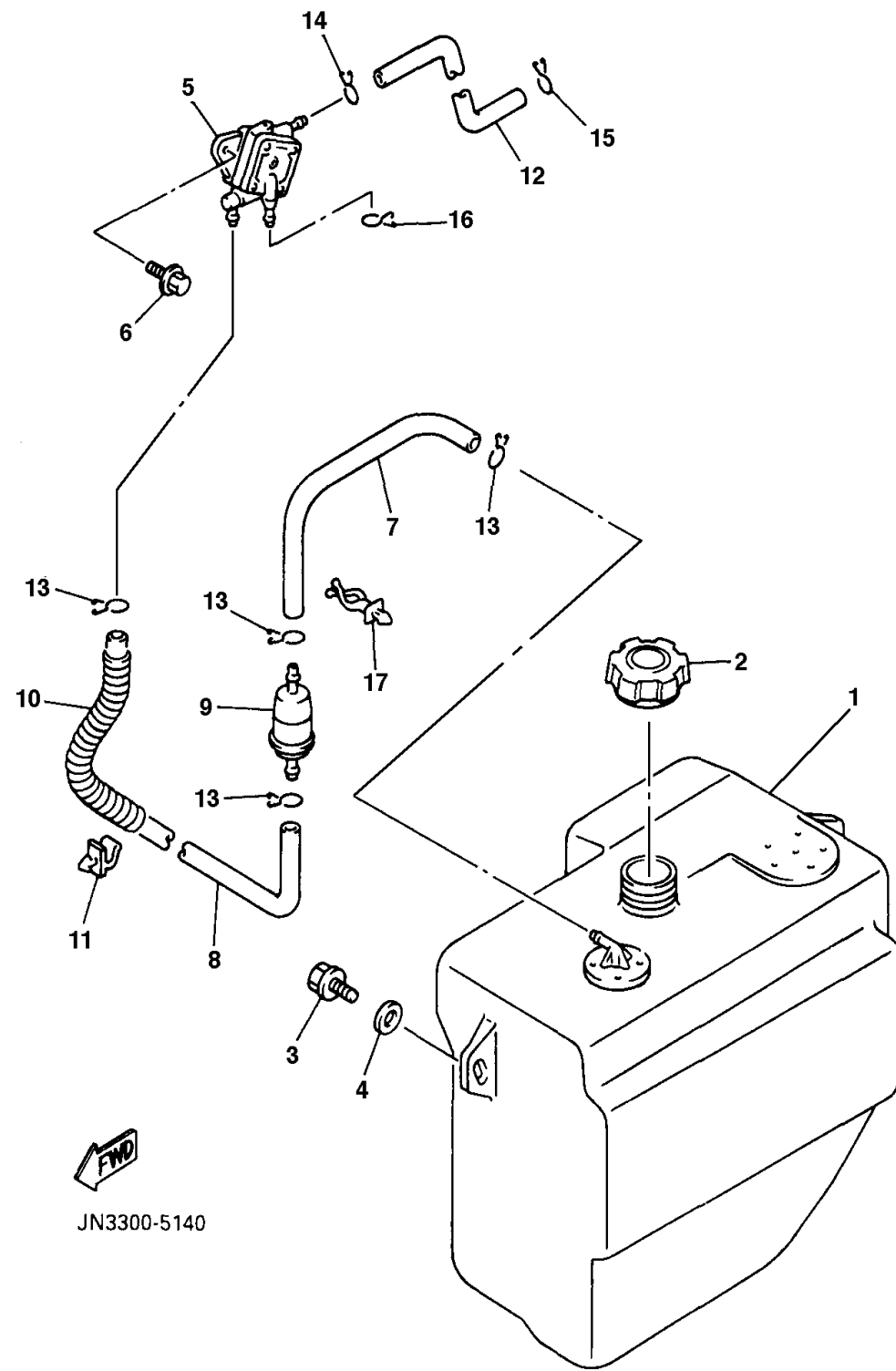
G14AM_AP

Ref. No.	Part Number	Description	Qty	Remarks
1	JG5-F3811-00-00	COLUMN, STEERING	1	
2	J38-23816-00-00	ARM, PITMAN	1	
3	93102-22314-00	SEAL, OIL	1	
4	J55-F3876-00-00	BOLT	1	
5	93332-000Y2-00	BEARING	2	
6	J10-23877-00-00	NUT	1	
7	J10-23444-00-00	WASHER	1	
8	JN3-F3818-00-00	COVER, STEERING	1	
9	J38-23462-00-00	SEAL, STEERING	1	
10	J10-23459-00-00	BOLT	1	
11	90170-08024-00	NUT, HEX	1	
12	95817-06020-00	BOLT, FLANGE	4	
13	JN3-F3814-00-00	HOLDER, HANDLE	1	
14	J10-23840-00-00	STEERING SHAFT ASSEMBLY	1	
15	JN3-F3838-00-00	WHEEL, STEERING	1	
16	90185-12119-00	NUT, SELF-LOCKING	1	
17	92907-12200-00	WASHER, PLAIN	1	
18	J38-23826-01-00	ARM, IDLER	1	
19	95707-16300-00	NUT, NYLON	1	
20	90215-16252-00	WASHER, TONGUE	1	
21	95817-10050-00	BOLT, FLANGE	4	
22	JN6-F3830-11-00	TIE ROD ASSEMBLY, LEFT ...	1	SEE NOTE A
23	JN6-F3850-11-00	TIE ROD ASSEMBLY, RIGHT ..	1	SEE NOTE A
24	95617-10200-00	NUT, SELF-LOCKING	4	
25	91490-25020-00	PIN, COTTER	4	

CONTENTS

ACCELERATOR	B10
AIR SHROUD FAN	A5
BODY 1	C12 ,D1
BODY 2	D2-3
BODY FITTING	D4
BRAKE 1	B6-7
BRAKE 2	B8
BRAKE 3	B9
BUMPER	C11
CAMSHAFT VALVE	A4
CARBURETOR	A8
CARRIER	D5-6
CRANKCASE	A10
CRANKSHAFT PISTON	A3
CYLINDER HEAD	A2
ELECTRICAL 1	D10
ELECTRICAL 2	D11-12
ENGINE BRACKET	A11
EXHAUST	A9
FRAME	B1
FRONT SUSPENSION WHEEL	B2-3
FUEL TANK	B5
GOVERNOR	B11
INTAKE	A6-7
OPTIONAL HUB CAPS	E8
OPTIONAL LIGHT KIT	E1
OPTIONAL LIGHT KIT	
STREAMLINE JU0	E2-3
OPTIONAL SUN ROOF JN3	E6
OPTIONAL SUN ROOF JN6	E7
OPTIONAL WINDSHIELD JN3	E4
OPTIONAL WINDSHIELD JN6	E5
PRIMARY SHEAVE	B12
REAR ARM SUSPENSION	A12
REAR AXLE WHEEL-118822	C9
REAR WHEEL JN3-118823-	C10
SEAT	D7
SECONDARY SHEAVE	C1
SHIFTING LEVER 118823-	C8
STARTER GENERATOR	D8-9
STEERING	B4
TRANSAXLE 118823-	C5-7
TRANSMISSION	
JN3-000101-118822	C2-4
-MODELS IN THIS CATALOG	E9

FUEL TANK



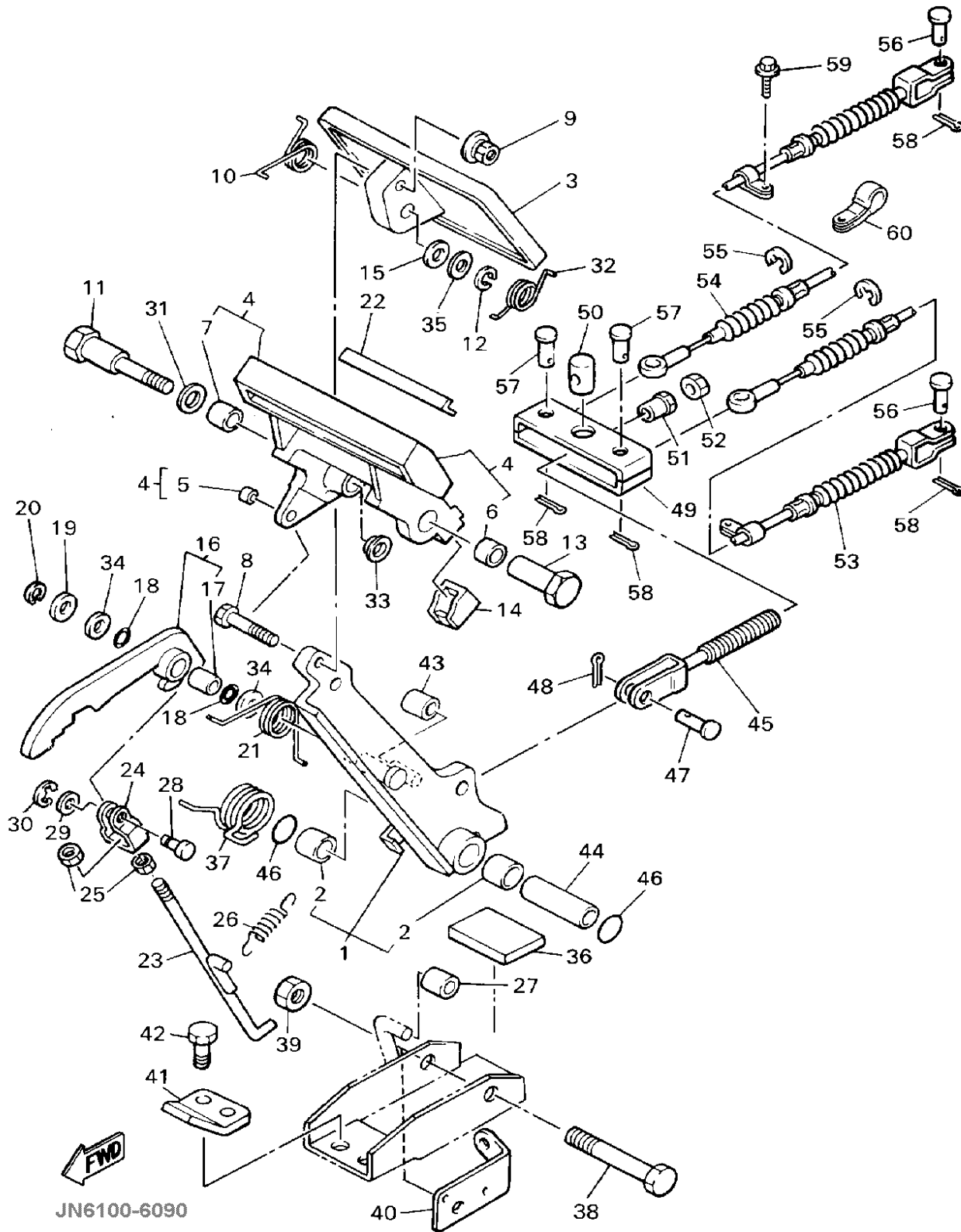
JN3300-5140

Ref. No.	Part Number	Description	Qty	Remarks
1	JN3-F4110-00-00	FUEL TANK COMP.	1	
2	JH2-24610-00-00	CAP ASSEMBLY	1	
3	95807-08020-00	BOLT, FLANGE	3	
4	90560-08066-00	SPACER	3	
5	JF2-24410-20-00	FUEL PUMP ASSEMBLY	1	
6	95817-06016-00	BOLT, FLANGE	2	
7	JN3-F4311-00-00	PIPE, FUEL 1	1	
8	JN3-F4312-00-00	PIPE 2	1	
9	JN3-F4560-00-00	FILTER ASSEMBLY.	1	
10	JN3-F4327-00-00	PROTECTOR, PIPE	1	
11	90464-11074-00	CLAMP	2	
12	90445-093J2-00	HOSE	1	
13	90467-11009-00	CLIP	4	
14	90467-08017-00	CLIP	1	
15	90467-08017-00	CLIP	1	
16	90467-09006-00	CLIP	1	
17	90464-11816-00	CLAMP	1	

CONTENTS

ACCELERATOR	B10
AIR SHROUD FAN	A5
BODY 1	C12 ,D1
BODY 2	D2-3
BODY FITTING	D4
BRAKE 1	B6-7
BRAKE 2	B8
BRAKE 3	B9
BUMPER	C11
CAMSHAFT VALVE	A4
CARBURETOR	A8
CARRIER	D5-6
CRANKCASE	A10
CRANKSHAFT PISTON	A3
CYLINDER HEAD	A2
ELECTRICAL 1	D10
ELECTRICAL 2	D11-12
ENGINE BRACKET	A11
EXHAUST	A9
FRAME	B1
FRONT SUSPENSION WHEEL	B2-3
FUEL TANK	B5
GOVERNOR	B11
INTAKE	A6-7
OPTIONAL HUB CAPS	E8
OPTIONAL LIGHT KIT	E1
OPTIONAL LIGHT KIT	
STREAMLINE JU0	E2-3
OPTIONAL SUN ROOF JN3	E6
OPTIONAL SUN ROOF JN6	E7
OPTIONAL WINDSHIELD JN3	E4
OPTIONAL WINDSHIELD JN6	E5
PRIMARY SHEAVE	B12
REAR ARM SUSPENSION	A12
REAR AXLE WHEEL-118822	C9
REAR WHEEL JN3-118823-	C10
SEAT	D7
SECONDARY SHEAVE	C1
SHIFTING LEVER 118823-	C8
STARTER GENERATOR	D8-9
STEERING	B4
TRANSAXLE 118823-	C5-7
TRANSMISSION	
JN3-000101-118822	C2-4
-MODELS IN THIS CATALOG	E9

BRAKE 1



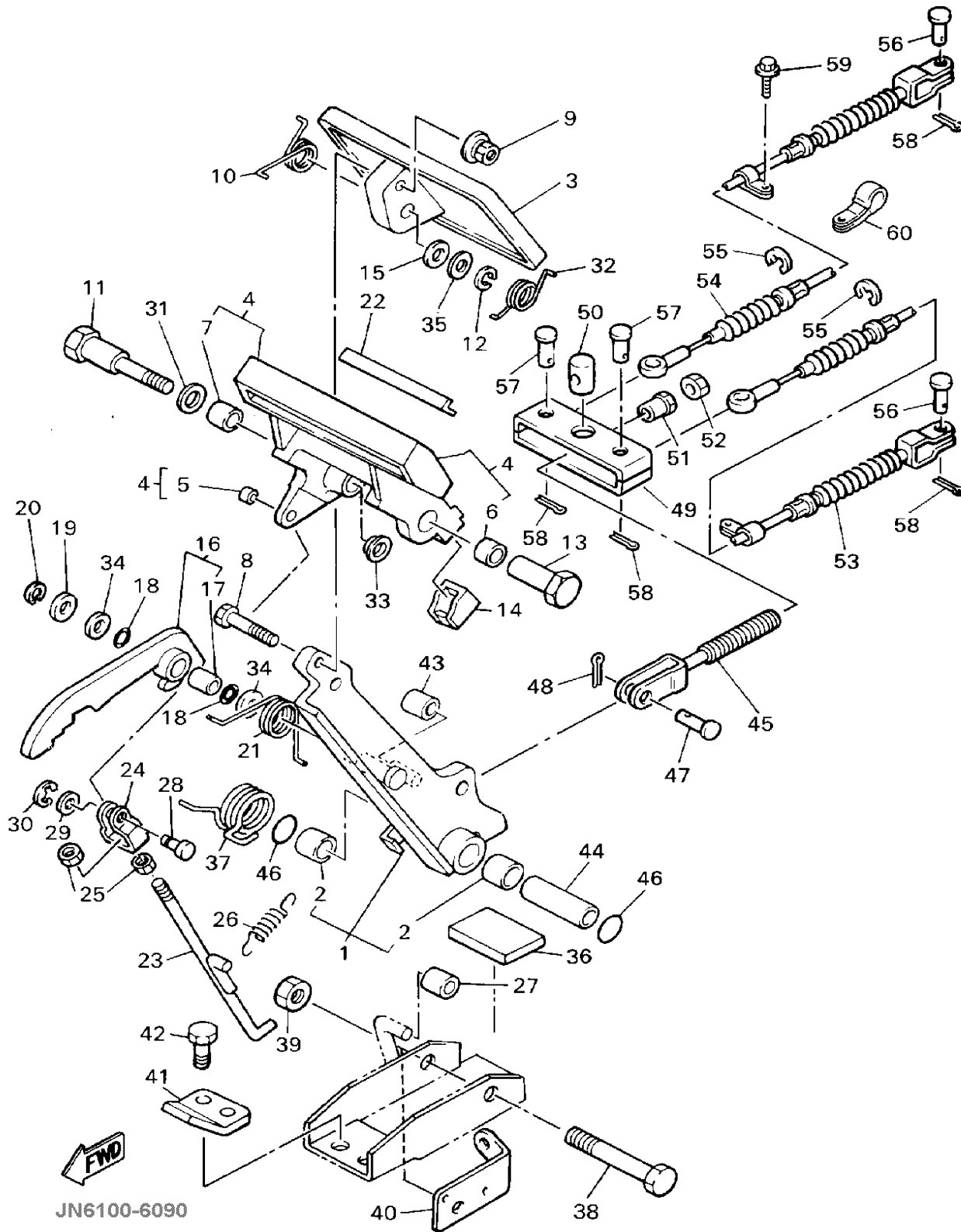
Ref. No.	Part Number	Description	Qty	Remarks
1	J46-27250-03-00	BRAKE ARM COMP.	1	
2	90384-14080-00	. BUSH, BIMETAL	2	
3	J10-27211-00-00	PEDAL, BRAKE	1	
4	J17-25670-01-00	PARKING BRAKE COMP.	1	
5	90384-05163-00	. BUSH, BIMETAL	1	
6	90384-12164-00	. BUSH, BIMETAL	1	
7	90380-12051-00	. BUSH, SOLID	1	
8	90101-06555-00	BOLT, HEX	1	
9	90179-07564-00	NUT	1	
10	90508-23542-00	SPRING, TORSION	1	
11	90109-08669-00	BOLT	1	
12	92907-08100-00	WASHER, SPRING	1	
13	90179-08378-00	NUT	1	
14	J17-25679-01-00	DAMPER	2	
15	92907-08200-00	WASHER, PLAIN	1	
16	J17-W2561-02-00	SECTOR, PARKING BRAKE ..	1	
17	90384-10162-00	. BUSH, BIMETAL	1	
18	J17-27221-00-00	SEAL, SHAFT	2	
19	92907-10600-00	WASHER, PLATE	1	
20	99080-07600-00	CIRCLIP (E)	1	
21	90508-14548-00	SPRING, TORSION	1	
22	J17-25672-01-00	PAD, PARKING	1	
23	J17-27231-03-00	ROD, BRAKE	1	
24	J17-27232-00-00	END, ROD	1	
25	95307-06700-00	NUT	2	
26	90506-12277-00	SPRING, TENSION	1	
27	J17-25673-00-00	DAMPER, BRAKE	1	
28	J17-27228-00-00	PIN, LINK JOINT	1	
29	92907-05600-00	WASHER, PLATE	1	
30	99080-04600-00	CIRCLIP (E)	1	

CONTENTS

ACCELERATOR	B10
AIR SHROUD FAN	A5
BODY 1	C12 ,D1
BODY 2	D2-3
BODY FITTING	D4
BRAKE 1	B6-7
BRAKE 2	B8
BRAKE 3	B9
BUMPER	C11
CAMSHAFT VALVE	A4
CARBURETOR	A8
CARRIER	D5-6
CRANKCASE	A10
CRANKSHAFT PISTON	A3
CYLINDER HEAD	A2
ELECTRICAL 1	D10
ELECTRICAL 2	D11-12
ENGINE BRACKET	A11
EXHAUST	A9
FRAME	B1
FRONT SUSPENSION WHEEL	B2-3
FUEL TANK	B5
GOVERNOR	B11
INTAKE	A6-7
OPTIONAL HUB CAPS	E8
OPTIONAL LIGHT KIT	E1
OPTIONAL LIGHT KIT	
STREAMLINE JU0	E2-3
OPTIONAL SUN ROOF JN3	E6
OPTIONAL SUN ROOF JN6	E7
OPTIONAL WINDSHIELD JN3	E4
OPTIONAL WINDSHIELD JN6	E5
PRIMARY SHEAVE	B12
REAR ARM SUSPENSION	A12
REAR AXLE WHEEL-118822	C9
REAR WHEEL JN3-118823-	C10
SEAT	D7
SECONDARY SHEAVE	C1
SHIFTING LEVER 118823-	C8
STARTER GENERATOR	D8-9
STEERING	B4
TRANSAXLE 118823-	C5-7
TRANSMISSION	
JN3-000101-118822	C2-4
-MODELS IN THIS CATALOG	E9

CONTINUED ON NEXT FRAME ►

BRAKE 1

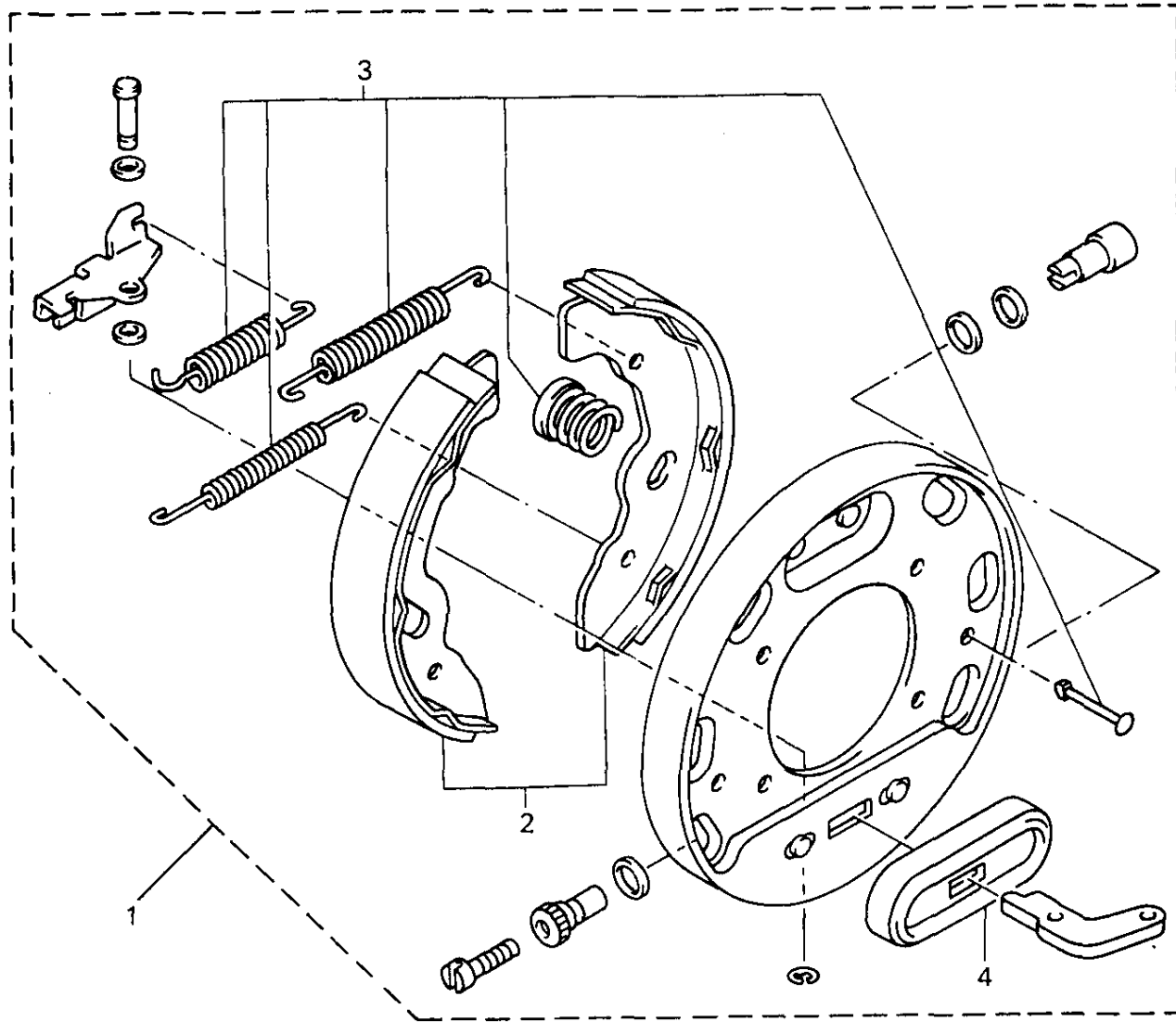


Ref. No.	Part Number	Description	Qty	Remarks
31	90201-123F2-00	WASHER, PLAIN	1	
32	90508-26557-00	SPRING, TORSION	1	
33	90380-12105-00	BUSH, SOLID	1	
34	90201-104G8-00	WASHER, PLAIN	2	
35	J55-27226-00-00	WASHER, LINK	1	
36	JN3-F7245-00-00	PAD, BRAKE PEDAL	1	
37	90508-405A9-00	SPRING, TORSION	1	
38	90101-10447-00	BOLT, HEX	1	
39	95617-10200-00	NUT, SELF-LOCKING	1	
40	J55-2252M-00-00	BRACKET	1	
41	J17-27246-00-00	NAIL, BRAKE	1	
42	95807-08020-00	BOLT, FLANGE	2	
43	J17-25673-00-00	DAMPER, BRAKE	1	
44	90387-107F8-00	COLLAR	1	
45	JF2-25685-00-00	ROD	1	
46	93210-132A8-00	O-RING	2	
47	91701-10022-00	PIN	1	
48	91490-30020-00	PIN, COTTER	1	
49	JF2-25681-00-00	EQUALIZER, BRAKE	1	
50	90249-14129-00	PIN	1	
51	90179-08261-00	NUT	1	
52	95307-08700-00	NUT, HEX	1	
53	JF2-F6341-10-00	WIRE, BRAKE 1	1	
54	JF2-F6351-10-00	WIRE, BRAKE	1	
55	99001-09600-00	CIRCLIP	4	
56	91701-08018-00	PIN	2	
57	91701-08026-00	PIN	2	
58	91490-25020-00	PIN, COTTER	4	
59	95807-06016-00	BOLT, FLANGE	2	
60	90461-08133-00	CLAMP	1	

CONTENTS

ACCELERATOR	B10
AIR SHROUD FAN	A5
BODY 1	C12 ,D1
BODY 2	D2-3
BODY FITTING	D4
BRAKE 1	B6-7
BRAKE 2	B8
BRAKE 3	B9
BUMPER	C11
CAMSHAFT VALVE	A4
CARBURETOR	A8
CARRIER	D5-6
CRANKCASE	A10
CRANKSHAFT PISTON	A3
CYLINDER HEAD	A2
ELECTRICAL 1	D10
ELECTRICAL 2	D11-12
ENGINE BRACKET	A11
EXHAUST	A9
FRAME	B1
FRONT SUSPENSION WHEEL	B2-3
FUEL TANK	B5
GOVERNOR	B11
INTAKE	A6-7
OPTIONAL HUB CAPS	E8
OPTIONAL LIGHT KIT	E1
OPTIONAL LIGHT KIT	
STREAMLINE JU0	E2-3
OPTIONAL SUN ROOF JN3	E6
OPTIONAL SUN ROOF JN6	E7
OPTIONAL WINDSHIELD JN3	E4
OPTIONAL WINDSHIELD JN6	E5
PRIMARY SHEAVE	B12
REAR ARM SUSPENSION	A12
REAR AXLE WHEEL-118822	C9
REAR WHEEL JN3-118823-	C10
SEAT	D7
SECONDARY SHEAVE	C1
SHIFTING LEVER 118823-	C8
STARTER GENERATOR	D8-9
STEERING	B4
TRANSAXLE 118823-	C5-7
TRANSMISSION	
JN3-000101-118822	C2-4
-MODELS IN THIS CATALOG	E9

BRAKE 2



Ref. No.	Part Number	Description	Qty	Remarks
1	JN3-F7280-00-00	BACKING PLATE, (RH)	1	
2	JN3-F5330-00-00	. SHOE, BRAKE SET	1	
3	JG5-F819G-00-00	. REPAIR PARTS KIT	1	
4	JG5-F7286-00-00	. COVER, DUST	1	

CONTENTS

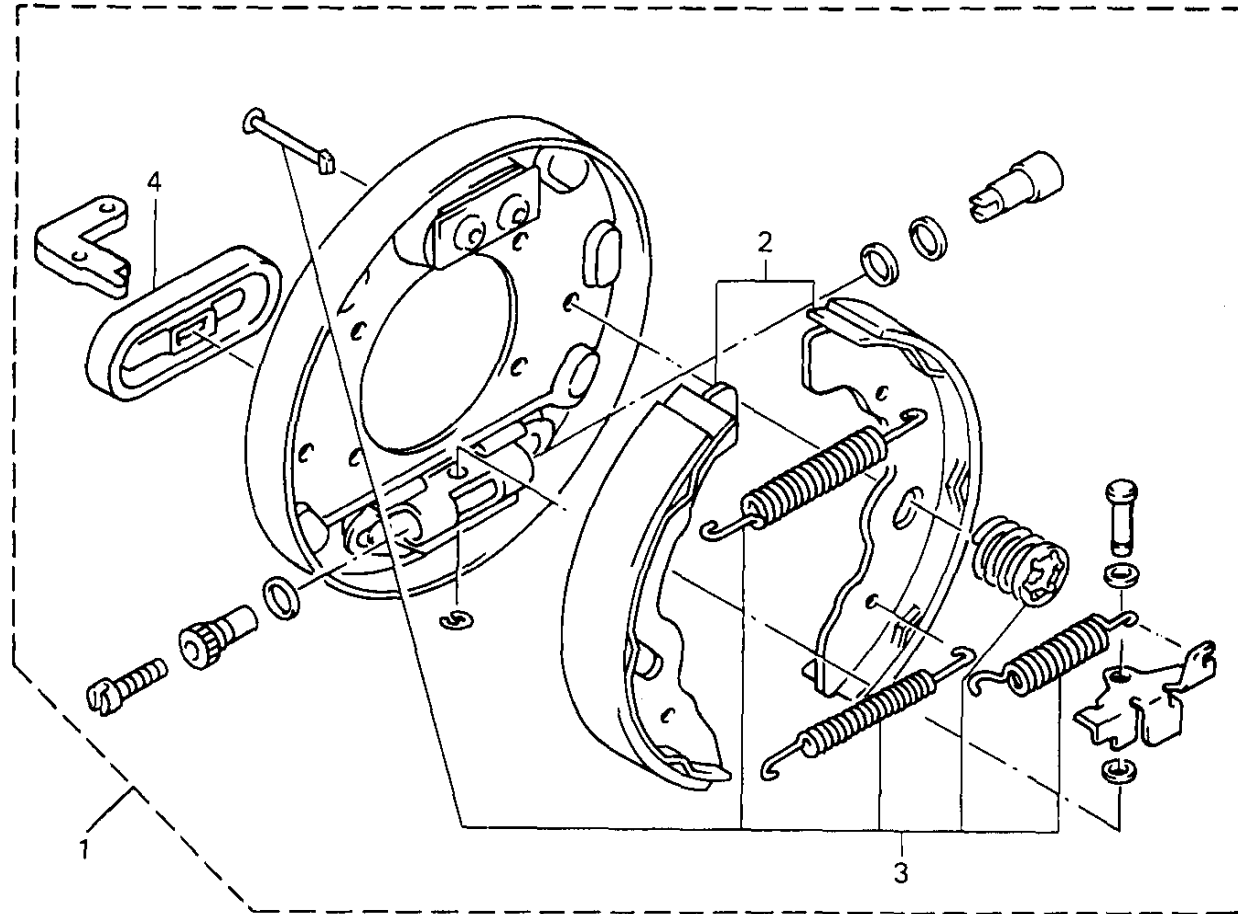
ACCELERATOR	B10
AIR SHROUD FAN	A5
BODY 1	C12 ,D1
BODY 2	D2-3
BODY FITTING	D4
BRAKE 1	B6-7
BRAKE 2	B8
BRAKE 3	B9
BUMPER	C11
CAMSHAFT VALVE	A4
CARBURETOR	A8
CARRIER	D5-6
CRANKCASE	A10
CRANKSHAFT PISTON	A3
CYLINDER HEAD	A2
ELECTRICAL 1	D10
ELECTRICAL 2	D11-12
ENGINE BRACKET	A11
EXHAUST	A9
FRAME	B1
FRONT SUSPENSION WHEEL	B2-3
FUEL TANK	B5
GOVERNOR	B11
INTAKE	A6-7
OPTIONAL HUB CAPS	E8
OPTIONAL LIGHT KIT	E1
OPTIONAL LIGHT KIT	
STREAMLINE JU0	E2-3
OPTIONAL SUN ROOF JN3	E6
OPTIONAL SUN ROOF JN6	E7
OPTIONAL WINDSHIELD JN3	E4
OPTIONAL WINDSHIELD JN6	E5
PRIMARY SHEAVE	B12
REAR ARM SUSPENSION	A12
REAR AXLE WHEEL-118822	C9
REAR WHEEL JN3-118823-	C10
SEAT	D7
SECONDARY SHEAVE	C1
SHIFTING LEVER 118823-	C8
STARTER GENERATOR	D8-9
STEERING	B4
TRANSAXLE 118823-	C5-7
TRANSMISSION	
JN3-000101-118822	C2-4
-MODELS IN THIS CATALOG	E9



JN4100-5060

BRAKE 3

Ref. No.	Part Number	Description	Qty	Remarks
1	JN3-F7290-00-00	BACKING PLATE, LEFT	1	
2	JN3-F5330-00-00	. SHOE, BRAKE SET	1	
3	JG5-F819G-00-00	. REPAIR PARTS KIT	1	
4	JG5-F7286-00-00	. COVER, DUST	1	



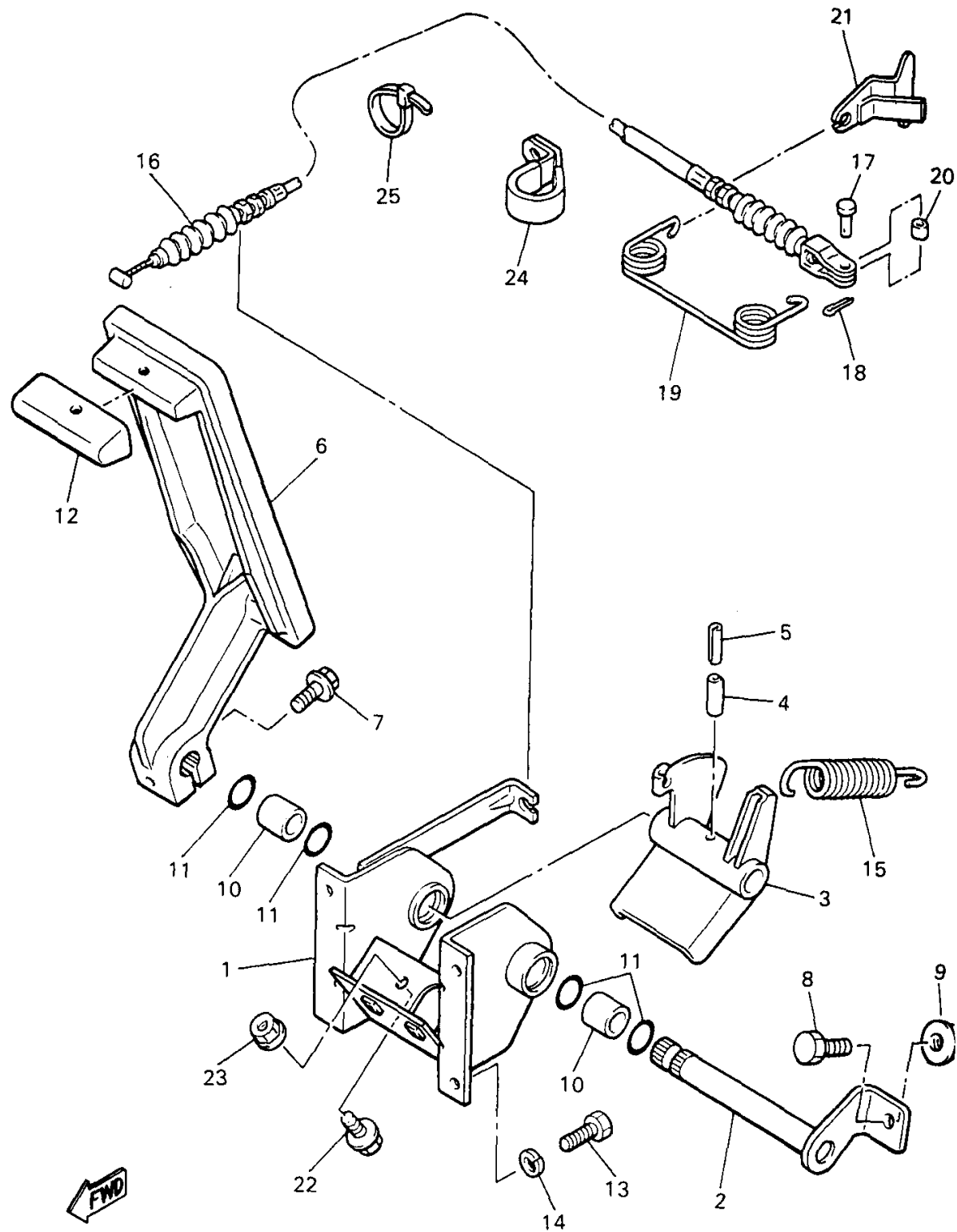
CONTENTS

ACCELERATOR	B10
AIR SHROUD FAN	A5
BODY 1	C12 ,D1
BODY 2	D2-3
BODY FITTING	D4
BRAKE 1	B6-7
BRAKE 2	B8
BRAKE 3	B9
BUMPER	C11
CAMSHAFT VALVE	A4
CARBURETOR	A8
CARRIER	D5-6
CRANKCASE	A10
CRANKSHAFT PISTON	A3
CYLINDER HEAD	A2
ELECTRICAL 1	D10
ELECTRICAL 2	D11-12
ENGINE BRACKET	A11
EXHAUST	A9
FRAME	B1
FRONT SUSPENSION WHEEL	B2-3
FUEL TANK	B5
GOVERNOR	B11
INTAKE	A6-7
OPTIONAL HUB CAPS	E8
OPTIONAL LIGHT KIT	E1
OPTIONAL LIGHT KIT	
STREAMLINE JU0	E2-3
OPTIONAL SUN ROOF JN3	E6
OPTIONAL SUN ROOF JN6	E7
OPTIONAL WINDSHIELD JN3	E4
OPTIONAL WINDSHIELD JN6	E5
PRIMARY SHEAVE	B12
REAR ARM SUSPENSION	A12
REAR AXLE WHEEL-118822	C9
REAR WHEEL JN3-118823-	C10
SEAT	D7
SECONDARY SHEAVE	C1
SHIFTING LEVER 118823-	C8
STARTER GENERATOR	D8-9
STEERING	B4
TRANSAXLE 118823-	C5-7
TRANSMISSION	
JN3-000101-118822	C2-4
-MODELS IN THIS CATALOG	E9



JN4100-5070

ACCELERATOR



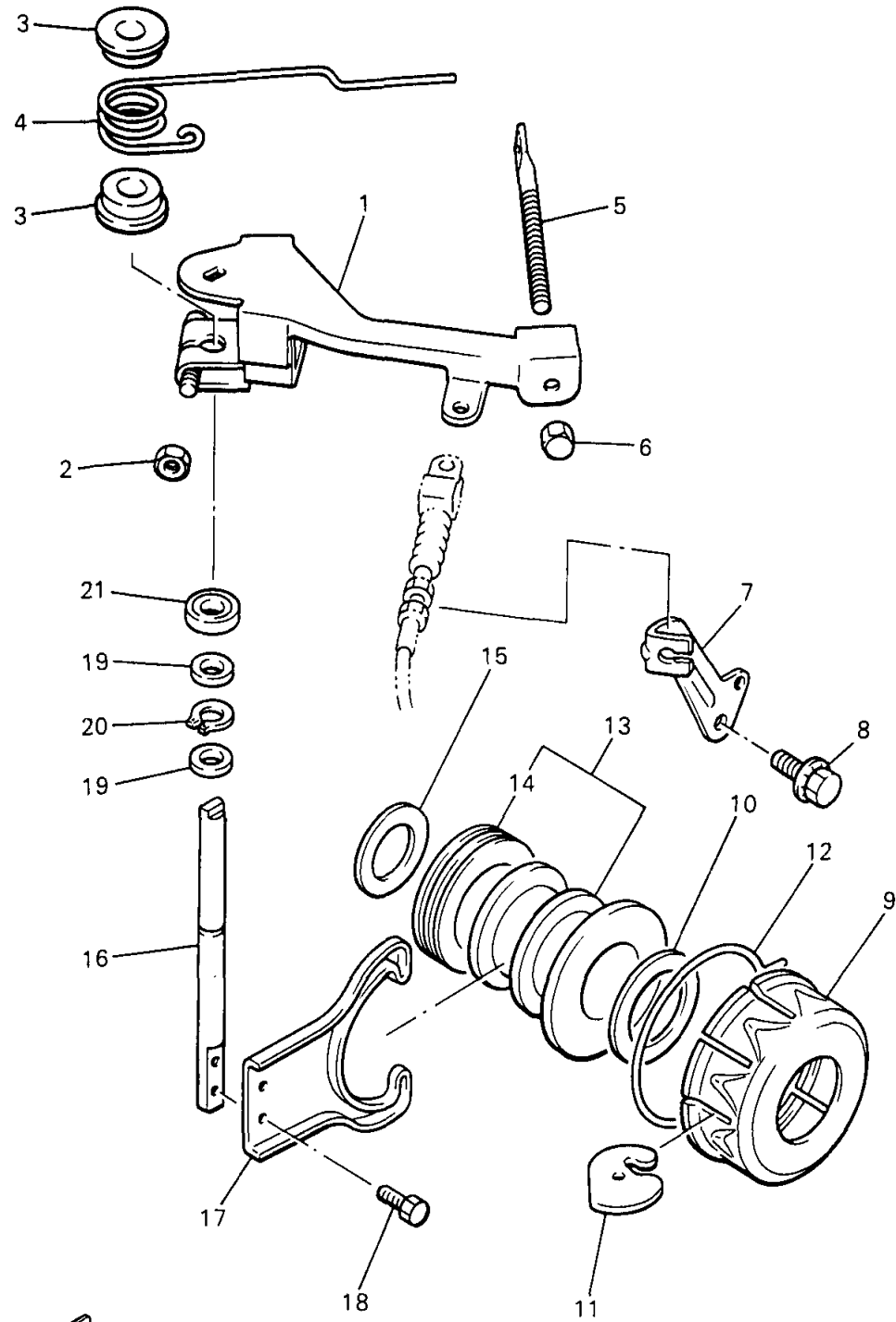
JN3300-5180

Ref. No.	Part Number	Description	Qty	Remarks
1	JN3-27874-00-00	BRACKET, ACCELERATOR PEDAL	1	
2	J17-27853-01-00	SHAFT, PEDAL	1	
3	J38-27872-00-00	ARM, ACCELERATOR	1	
4	91609-60028-00	PIN, SPRING	1	
5	91609-35028-00	PIN, SPRING	1	
6	JF3-27871-00-00	PEDAL, ACCELERATOR	1	
7	95817-06025-00	BOLT, FLANGE	1	
8	90106-08040-00	BOLT, RD. HEX	1	
9	95707-08500-00	NUT, FLANGE	1	
10	90384-14080-00	BUSH, BIMETAL	2	
11	93210-14104-00	O-RING	4	
12	JN3-F7854-00-00	COVER, PEDAL	1	
13	97007-06016-00	BOLT	4	
14	92907-06100-00	WASHER, SPRING	4	
15	90506-26282-00	SPRING, TENSION	1	
16	JN3-F6311-00-00	CABLE, THROTTLE	1	
17	91702-05012-00	PIN	1	
18	90468-10050-00	CLIP	1	
19	90508-16460-00	SPRING, TORSION	1	
20	90560-05001-00	SPACER	1	
21	J38-27981-00-00	BRACKET, THROTTLE	1	
22	95817-06025-00	BOLT, FLANGE	1	
23	95707-06500-00	NUT, FLANGE	1	
24	90465-08334-00	CLAMP	1	
25	90601-200U1-00	BAND	1	

CONTENTS

ACCELERATOR	B10
AIR SHROUD FAN	A5
BODY 1	C12 ,D1
BODY 2	D2-3
BODY FITTING	D4
BRAKE 1	B6-7
BRAKE 2	B8
BRAKE 3	B9
BUMPER	C11
CAMSHAFT VALVE	A4
CARBURETOR	A8
CARRIER	D5-6
CRANKCASE	A10
CRANKSHAFT PISTON	A3
CYLINDER HEAD	A2
ELECTRICAL 1	D10
ELECTRICAL 2	D11-12
ENGINE BRACKET	A11
EXHAUST	A9
FRAME	B1
FRONT SUSPENSION WHEEL	B2-3
FUEL TANK	B5
GOVERNOR	B11
INTAKE	A6-7
OPTIONAL HUB CAPS	E8
OPTIONAL LIGHT KIT	E1
OPTIONAL LIGHT KIT	
STREAMLINE JU0	E2-3
OPTIONAL SUN ROOF JN3	E6
OPTIONAL SUN ROOF JN6	E7
OPTIONAL WINDSHIELD JN3	E4
OPTIONAL WINDSHIELD JN6	E5
PRIMARY SHEAVE	B12
REAR ARM SUSPENSION	A12
REAR AXLE WHEEL-118822	C9
REAR WHEEL JN3-118823-	C10
SEAT	D7
SECONDARY SHEAVE	C1
SHIFTING LEVER 118823-	C8
STARTER GENERATOR	D8-9
STEERING	B4
TRANSAXLE 118823-	C5-7
TRANSMISSION	
JN3-000101-118822	C2-4
-MODELS IN THIS CATALOG	E9

GOVERNOR



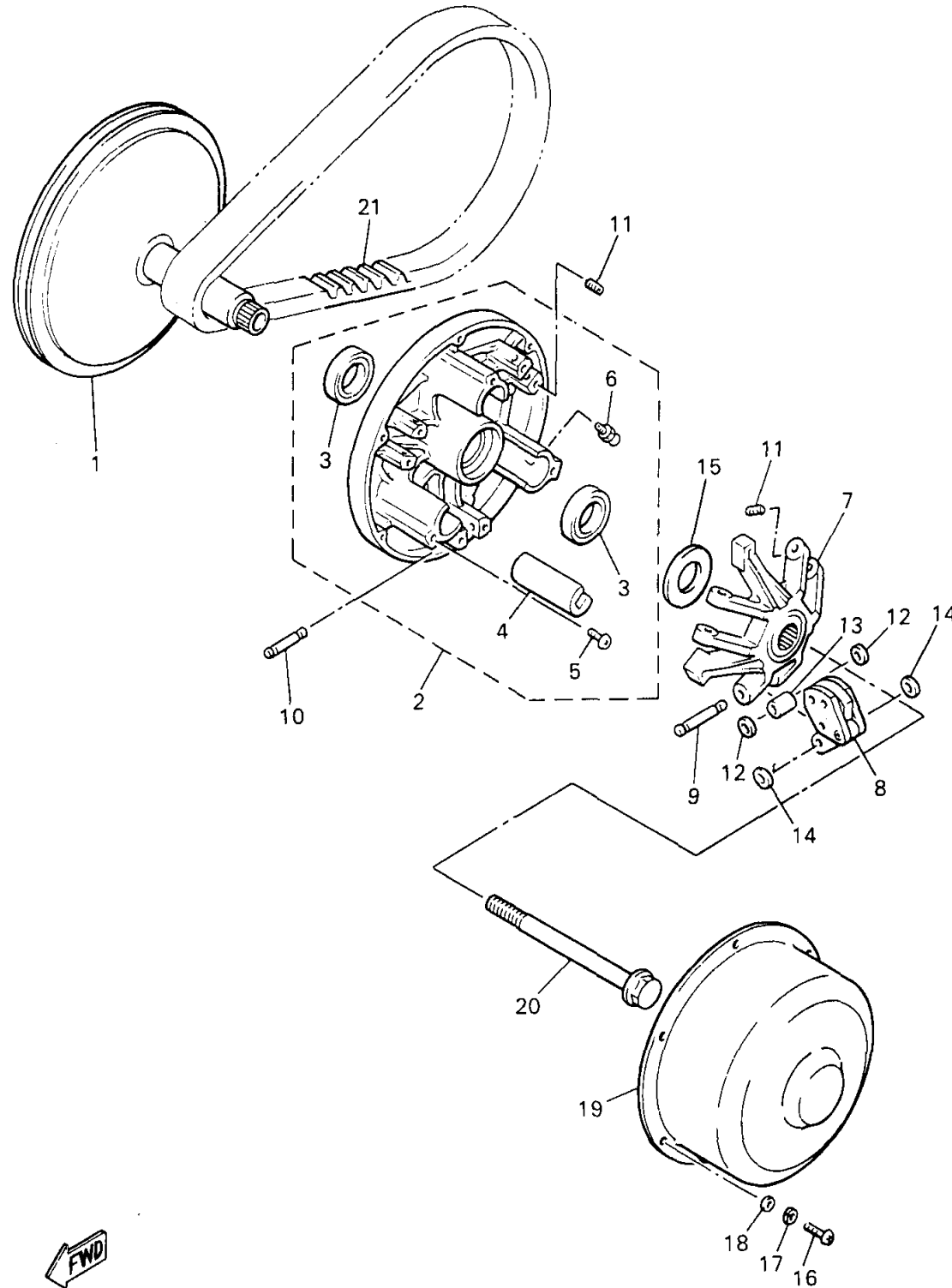
JN3100-5190

Ref. No.	Part Number	Description	Qty	Remarks
1	J38-27951-00-00	LEVER, SPEED	1	
2	95317-06600-00	NUT (95307-06600-00)	1	
3	90386-08141-00	BUSH	2	
4	90508-40678-00	SPRING, TORSION	1	
5	J38-27959-00-00	SCREW, ADJUSTING	1	
6	95607-06200-00	NUT, SELF U-FLANGE	1	
7	J38-27982-00-00	BRACKET, WIRE	1	
8	95817-08016-00	BOLT, FLANGE	1	
9	J10-27912-00-00	RETAINER	1	
10	90387-21690-00	COLLAR	1	
11	J10-27913-00-00	WEIGHT	12	
12	J10-27911-00-00	HOLDER	1	
13	J10-27927-00-00	LIFTER	1	
14	93342-22502-00	. BEARING, THRUST	1	
15	90201-20275-00	WASHER, PLATE	1	
16	J38-27921-00-00	SHAFT, GOVERNOR	1	
17	J10-27922-00-00	FORK, GOVERNOR	1	
18	91317-04008-00	BOLT	2	
19	90202-08110-00	WASHER, PLATE	2	
20	99009-06600-00	CIRCLIP	1	
21	93109-08050-00	OIL SEAL	1	

CONTENTS

ACCELERATOR	B10
AIR SHROUD FAN	A5
BODY 1	C12 ,D1
BODY 2	D2-3
BODY FITTING	D4
BRAKE 1	B6-7
BRAKE 2	B8
BRAKE 3	B9
BUMPER	C11
CAMSHAFT VALVE	A4
CARBURETOR	A8
CARRIER	D5-6
CRANKCASE	A10
CRANKSHAFT PISTON	A3
CYLINDER HEAD	A2
ELECTRICAL 1	D10
ELECTRICAL 2	D11-12
ENGINE BRACKET	A11
EXHAUST	A9
FRAME	B1
FRONT SUSPENSION WHEEL	B2-3
FUEL TANK	B5
GOVERNOR	B11
INTAKE	A6-7
OPTIONAL HUB CAPS	E8
OPTIONAL LIGHT KIT	E1
OPTIONAL LIGHT KIT	
STREAMLINE JU0	E2-3
OPTIONAL SUN ROOF JN3	E6
OPTIONAL SUN ROOF JN6	E7
OPTIONAL WINDSHIELD JN3	E4
OPTIONAL WINDSHIELD JN6	E5
PRIMARY SHEAVE	B12
REAR ARM SUSPENSION	A12
REAR AXLE WHEEL-118822	C9
REAR WHEEL JN3-118823-	C10
SEAT	D7
SECONDARY SHEAVE	C1
SHIFTING LEVER 118823-	C8
STARTER GENERATOR	D8-9
STEERING	B4
TRANSAXLE 118823-	C5-7
TRANSMISSION	
JN3-000101-118822	C2-4
-MODELS IN THIS CATALOG	E9

PRIMARY SHEAVE



Ref. No.	Part Number	Description	Qty	Remarks
1	J38-46210-01-00	PRIMARY FIXED SHEAVE COMP.	1	
2	J38-46220-00-00	PRIMARY SLIDING SHEAVE COMP.	1	
3	93102-28348-00	. OIL SEAL	2	
4	J38-46253-00-00	. SLIDER	3	
5	98907-05008-00	. SCREW, BIND	3	
6	93700-06M03-00	. NIPPLE, GREASE	1	
7	J38-46251-00-00	SPIDER	1	
8	JN5-46205-00-00	WEIGHT LINK ASSEMBLY	3	
9	J38-46236-00-00	PIN, WEIGHT	3	
10	J38-46237-00-00	PIN, WEIGHT 2	3	
11	90113-04050-00	BOLT, SET	12	
12	90202-07164-00	WASHER, PLATE	6	
13	90387-076U6-00	COLLAR	3	
14	90202-07186-00	WASHER, PLATE	6	
15	90201-286R9-00	WASHER, PLATE	1	
16	98507-05010-00	SCREW, PAN HEAD	6	
17	92907-05100-00	WASHER, SPRING	6	
18	92907-05600-00	WASHER, PLATE	6	
19	J38-46231-00-00	CAP	1	
20	J38-46249-00-00	BOLT	1	
21	J55-G6241-00-00	V-BELT	1	

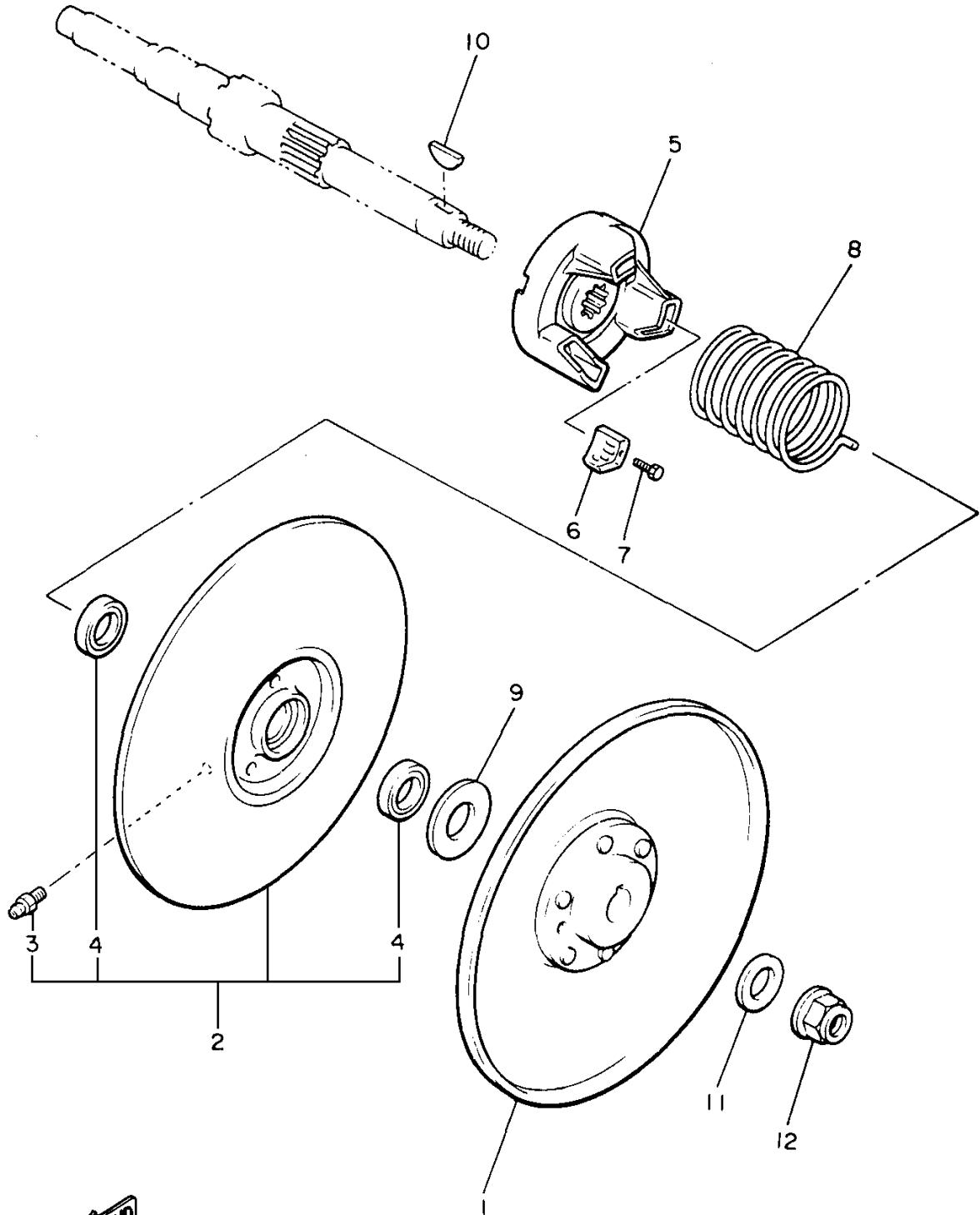
CONTENTS

ACCELERATOR	B10
AIR SHROUD FAN	A5
BODY 1	C12 ,D1
BODY 2	D2-3
BODY FITTING	D4
BRAKE 1	B6-7
BRAKE 2	B8
BRAKE 3	B9
BUMPER	C11
CAMSHAFT VALVE	A4
CARBURETOR	A8
CARRIER	D5-6
CRANKCASE	A10
CRANKSHAFT PISTON	A3
CYLINDER HEAD	A2
ELECTRICAL 1	D10
ELECTRICAL 2	D11-12
ENGINE BRACKET	A11
EXHAUST	A9
FRAME	B1
FRONT SUSPENSION WHEEL	B2-3
FUEL TANK	B5
GOVERNOR	B11
INTAKE	A6-7
OPTIONAL HUB CAPS	E8
OPTIONAL LIGHT KIT	E1
OPTIONAL LIGHT KIT	
STREAMLINE JU0	E2-3
OPTIONAL SUN ROOF JN3	E6
OPTIONAL SUN ROOF JN6	E7
OPTIONAL WINDSHIELD JN3	E4
OPTIONAL WINDSHIELD JN6	E5
PRIMARY SHEAVE	B12
REAR ARM SUSPENSION	A12
REAR AXLE WHEEL-118822	C9
REAR WHEEL JN3-118823-	C10
SEAT	D7
SECONDARY SHEAVE	C1
SHIFTING LEVER 118823-	C8
STARTER GENERATOR	D8-9
STEERING	B4
TRANSAXLE 118823-	C5-7
TRANSMISSION	
JN3-000101-118822	C2-4
-MODELS IN THIS CATALOG	E9



JN3100-5200

SECONDARY SHEAVE



Ref. No.	Part Number	Description	Qty	Remarks
1	J55-G6260-00-00	SECONDARY FIXED SHEAVE COMP.	1	
2	JN3-G6270-00-00	SECONDARY SLIDING SHEAVE COMP.	1	
3	93700-06M03-00	. NIPPLE, GREASE	1	
4	93102-20309-00	. OIL SEAL	2	
5	JH2-46284-00-00	SEAT, SECONDARY SPRING .	1	
6	JF7-17688-00-00	SHOE, RAMP	3	
7	91317-04025-00	BOLT	3	
8	90508-40842-00	SPRING, TORSION	1	
9	90202-20130-00	WASHER	1	
10	90280-05022-00	KEY, WOODRUFF	1	
11	90201-12588-00	WASHER, PLATE	1	
12	95617-12200-00	NUT, SELF-LOCKING	1	

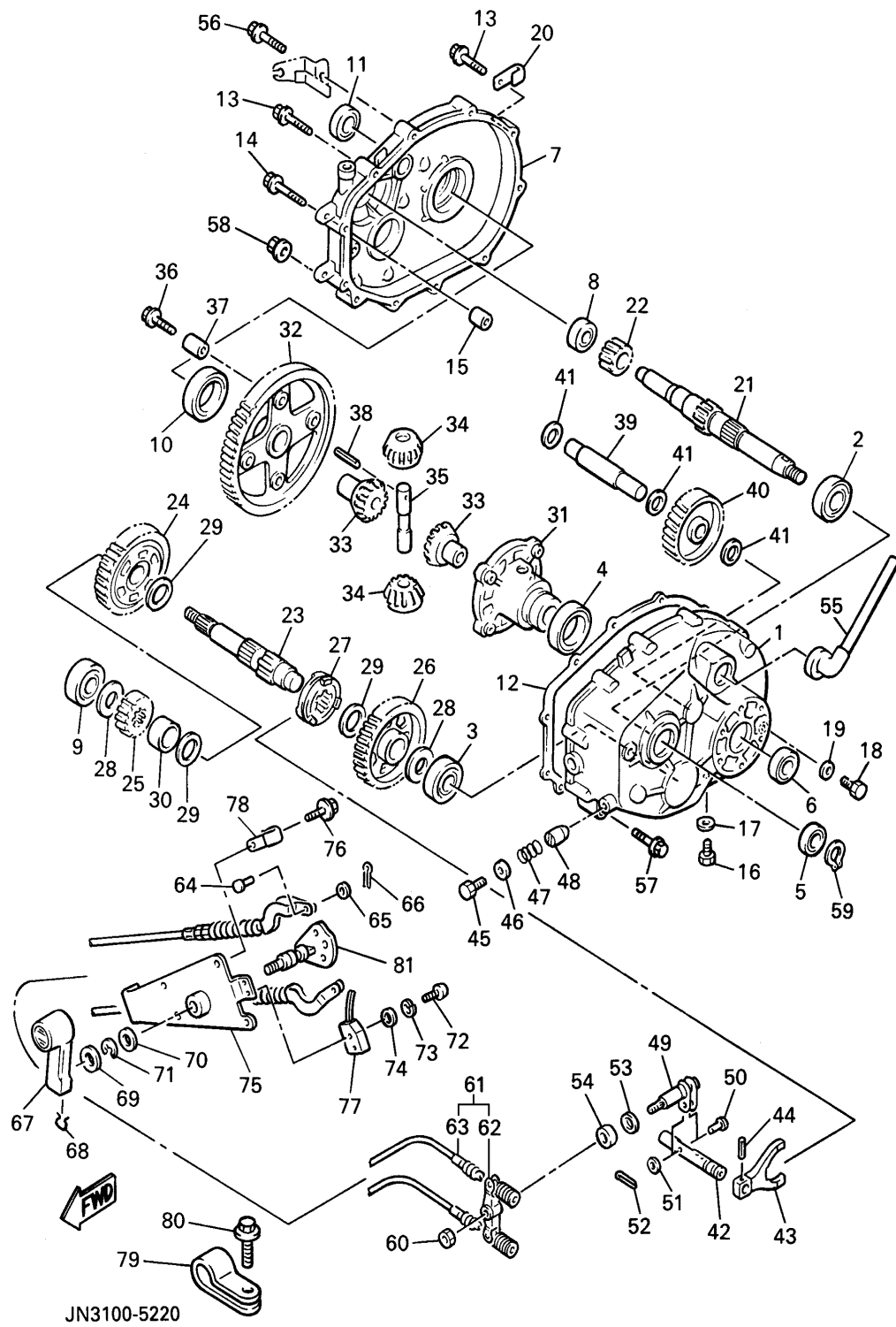
CONTENTS

ACCELERATOR	B10
AIR SHROUD FAN	A5
BODY 1	C12 ,D1
BODY 2	D2-3
BODY FITTING	D4
BRAKE 1	B6-7
BRAKE 2	B8
BRAKE 3	B9
BUMPER	C11
CAMSHAFT VALVE	A4
CARBURETOR	A8
CARRIER	D5-6
CRANKCASE	A10
CRANKSHAFT PISTON	A3
CYLINDER HEAD	A2
ELECTRICAL 1	D10
ELECTRICAL 2	D11-12
ENGINE BRACKET	A11
EXHAUST	A9
FRAME	B1
FRONT SUSPENSION WHEEL	B2-3
FUEL TANK	B5
GOVERNOR	B11
INTAKE	A6-7
OPTIONAL HUB CAPS	E8
OPTIONAL LIGHT KIT	E1
OPTIONAL LIGHT KIT	
STREAMLINE JU0	E2-3
OPTIONAL SUN ROOF JN3	E6
OPTIONAL SUN ROOF JN6	E7
OPTIONAL WINDSHIELD JN3	E4
OPTIONAL WINDSHIELD JN6	E5
PRIMARY SHEAVE	B12
REAR ARM SUSPENSION	A12
REAR AXLE WHEEL-118822	C9
REAR WHEEL JN3-118823-	C10
SEAT	D7
SECONDARY SHEAVE	C1
SHIFTING LEVER 118823-	C8
STARTER GENERATOR	D8-9
STEERING	B4
TRANSAXLE 118823-	C5-7
TRANSMISSION	
JN3-000101-118822	C2-4
-MODELS IN THIS CATALOG	E9



JN3300-5210

TRANSMISSION JN3-000101~118822



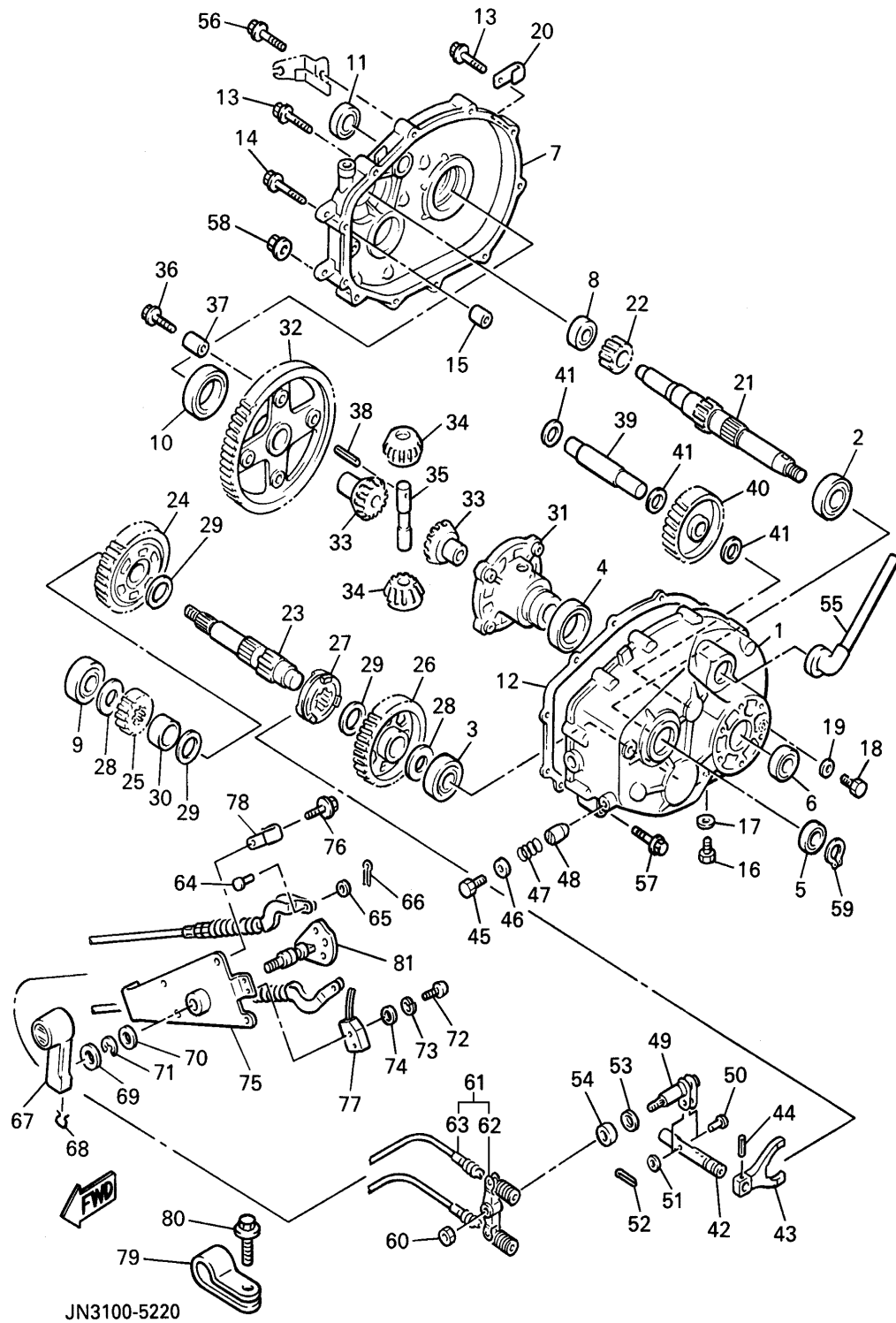
Ref. No.	Part Number	Description	Qty	Remarks
1	J38-46311-00-00	CASE, TRANSMISSION 1	1	
2	93306-20541-00	BEARING (B6205)	1	
3	93306-20421-00	BEARING	1	
4	93306-00804-00	BEARING	1	
5	93102-25017-00	OIL SEAL	1	
6	93102-22189-00	OIL SEAL	1	
7	J38-46312-01-00	CASE, TRANSMISSION 2	1	
8	93306-20324-00	BEARING	1	
9	93306-20421-00	BEARING	1	
10	93306-00804-00	BEARING	1	
11	93102-22189-00	OIL SEAL	1	
12	J38-46319-01-00	GASKET	1	
13	95817-08040-00	BOLT, FLANGE	7	
14	95827-08050-00	BOLT, FLANGE	2	
15	99510-12016-00	PIN, DOWEL	2	
16	90340-14036-00	PLUG, STRAIGHT SCREW	1	
17	90430-14043-00	GASKET	1	
18	90101-08344-00	BOLT	1	
19	90201-08087-00	WASHER, PLATE	1	
20	90465-06100-00	CLAMP	1	
21	J38-46321-02-00	SHAFT, INPUT	1	
22	JN3-46331-00-00	GEAR, INPUT 1	1	
23	J38-46351-00-00	SHAFT, COUNTER	1	
24	JN3-46361-00-00	GEAR, COUNTER 1	1	
25	J38-46362-00-00	GEAR, COUNTER 2	1	
26	J38-46363-00-00	GEAR, REVERSE	1	
27	JJ3-4636A-00-00	DOG, CLUTCH	1	
28	90201-204K8-00	WASHER, PLATE	2	
29	90201-257J2-00	WASHER, PLATE	3	
30	90387-252M8-00	COLLAR	1	

CONTENTS

ACCELERATOR	B10
AIR SHROUD FAN	A5
BODY 1	C12, D1
BODY 2	D2-3
BODY FITTING	D4
BRAKE 1	B6-7
BRAKE 2	B8
BRAKE 3	B9
BUMPER	C11
CAMSHAFT VALVE	A4
CARBURETOR	A8
CARRIER	D5-6
CRANKCASE	A10
CRANKSHAFT PISTON	A3
CYLINDER HEAD	A2
ELECTRICAL 1	D10
ELECTRICAL 2	D11-12
ENGINE BRACKET	A11
EXHAUST	A9
FRAME	B1
FRONT SUSPENSION WHEEL	B2-3
FUEL TANK	B5
GOVERNOR	B11
INTAKE	A6-7
OPTIONAL HUB CAPS	E8
OPTIONAL LIGHT KIT	E1
OPTIONAL LIGHT KIT	
STREAMLINE JU0	E2-3
OPTIONAL SUN ROOF JN3	E6
OPTIONAL SUN ROOF JN6	E7
OPTIONAL WINDSHIELD JN3	E4
OPTIONAL WINDSHIELD JN6	E5
PRIMARY SHEAVE	B12
REAR ARM SUSPENSION	A12
REAR AXLE WHEEL-118822	C9
REAR WHEEL JN3-118823-	C10
SEAT	D7
SECONDARY SHEAVE	C1
SHIFTING LEVER 118823-	C8
STARTER GENERATOR	D8-9
STEERING	B4
TRANSAXLE 118823-	C5-7
TRANSMISSION	
JN3-000101~118822	C2-4
~MODELS IN THIS CATALOG	E9

CONTINUED ON NEXT FRAME ►

TRANSMISSION JN3-000101~118822



Ref. No.	Part Number	Description	Qty	Remarks
31	J38-46411-01-00	CASE, DIFFERENTIAL	1	
32	J38-46421-01-00	GEAR, RING	1	
33	J38-46414-00-00	GEAR, DIFFERENTIAL SIDE	2	
34	J38-46415-00-00	PINION, DIFFERENTIAL	2	
35	J38-46417-02-00	PIN, DIFFERENTIAL	1	
36	90105-08390-00	BOLT, WASHER BASED	4	
37	91812-16001-00	PIN, DOWEL	2	
38	91609-40040-00	PIN, SPRING	1	
39	J38-46348-00-00	SHAFT 2	1	
40	J38-46356-00-00	GEAR, IDLER	1	
41	90201-17713-00	WASHER, PLATE	3	
42	J38-4633A-00-00	BAR, SHIFT FORK GUIDE	1	
43	J38-46338-00-00	FORK, SHIFT	1	
44	91609-40020-00	PIN, SPRING	1	
45	90101-08344-00	BOLT	1	
46	90201-08087-00	WASHER, PLATE	1	
47	90501-10060-00	SPRING, COMPRESSION	1	
48	90249-07215-00	PIN	1	
49	J38-46384-00-00	LEVER, SHIFT 3	1	
50	91701-06022-00	PIN, CLEVIS	1	
51	92907-06200-00	WASHER	1	
52	91490-20025-00	PIN, SPLIT	1	
53	90201-12166-00	WASHER, PLATE	1	
54	93102-12224-00	OIL SEAL	1	
55	JN3-47559-00-00	CAP 2	1	
56	95817-08040-00	BOLT, FLANGE	1	
57	95817-08075-00	BOLT, FLANGE	1	
58	95707-08500-00	NUT, FLANGE	1	
59	93410-25017-00	CIRCLIP	1	
60	95607-08100-00	NUT, U	1	

CONTENTS

ACCELERATOR	B10
AIR SHROUD FAN	A5
BODY 1	C12 ,D1
BODY 2	D2-3
BODY FITTING	D4
BRAKE 1	B6-7
BRAKE 2	B8
BRAKE 3	B9
BUMPER	C11
CAMSHAFT VALVE	A4
CARBURETOR	A8
CARRIER	D5-6
CRANKCASE	A10
CRANKSHAFT PISTON	A3
CYLINDER HEAD	A2
ELECTRICAL 1	D10
ELECTRICAL 2	D11-12
ENGINE BRACKET	A11
EXHAUST	A9
FRAME	B1
FRONT SUSPENSION WHEEL	B2-3
FUEL TANK	B5
GOVERNOR	B11
INTAKE	A6-7
OPTIONAL HUB CAPS	E8
OPTIONAL LIGHT KIT	E1
OPTIONAL LIGHT KIT	
STREAMLINE JU0	E2-3
OPTIONAL SUN ROOF JN3	E6
OPTIONAL SUN ROOF JN6	E7
OPTIONAL WINDSHIELD JN3	E4
OPTIONAL WINDSHIELD JN6	E5
PRIMARY SHEAVE	B12
REAR ARM SUSPENSION	A12
REAR AXLE WHEEL-118822	C9
REAR WHEEL JN3-118823-	C10
SEAT	D7
SECONDARY SHEAVE	C1
SHIFTING LEVER 118823-	C8
STARTER GENERATOR	D8-9
STEERING	B4
TRANSAXLE 118823-	C5-7
TRANSMISSION	
JN3-000101~118822	C2-4
-MODELS IN THIS CATALOG	E9

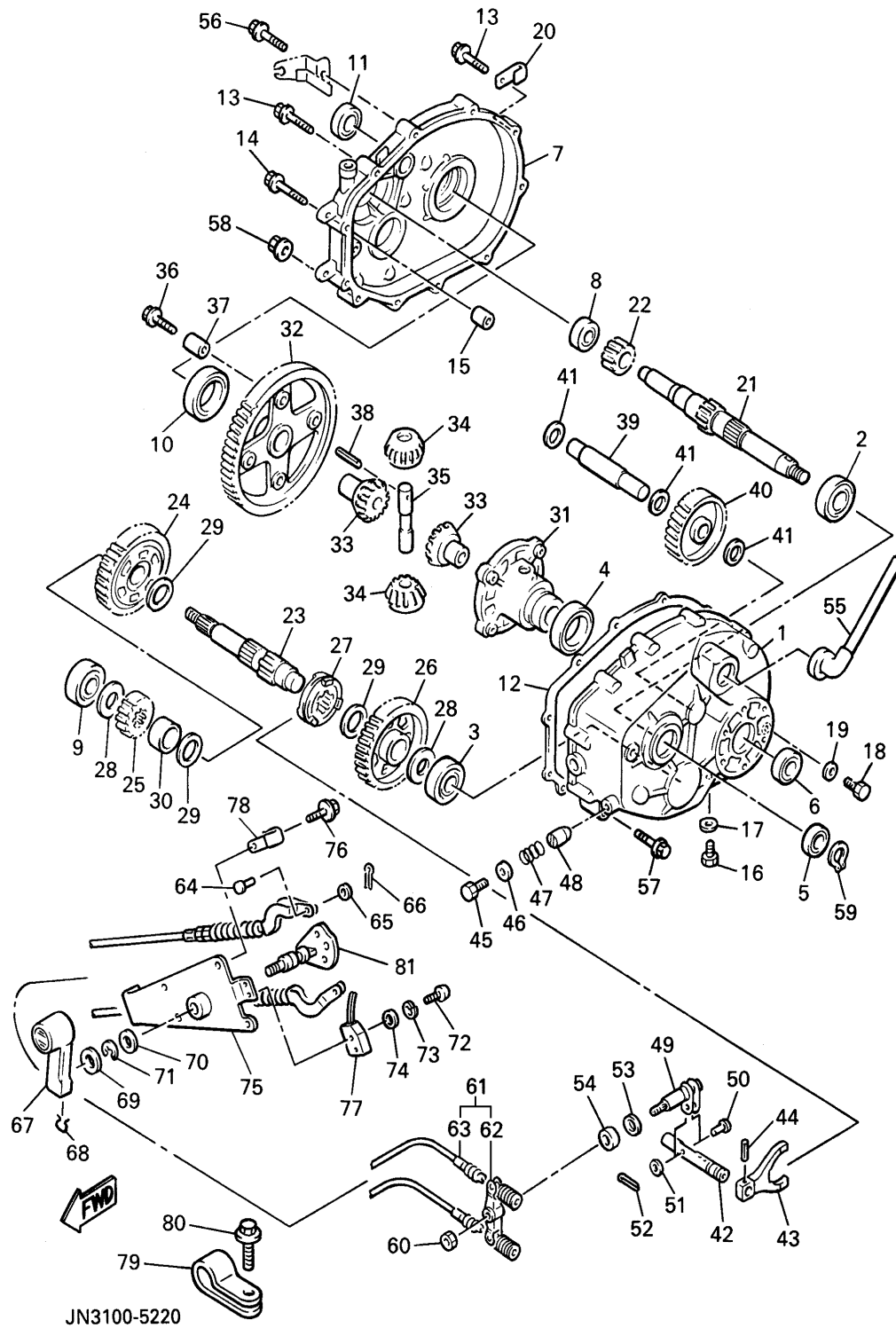
CONTINUED ON NEXT FRAME ►

TRANSMISSION JN3-000101~118822

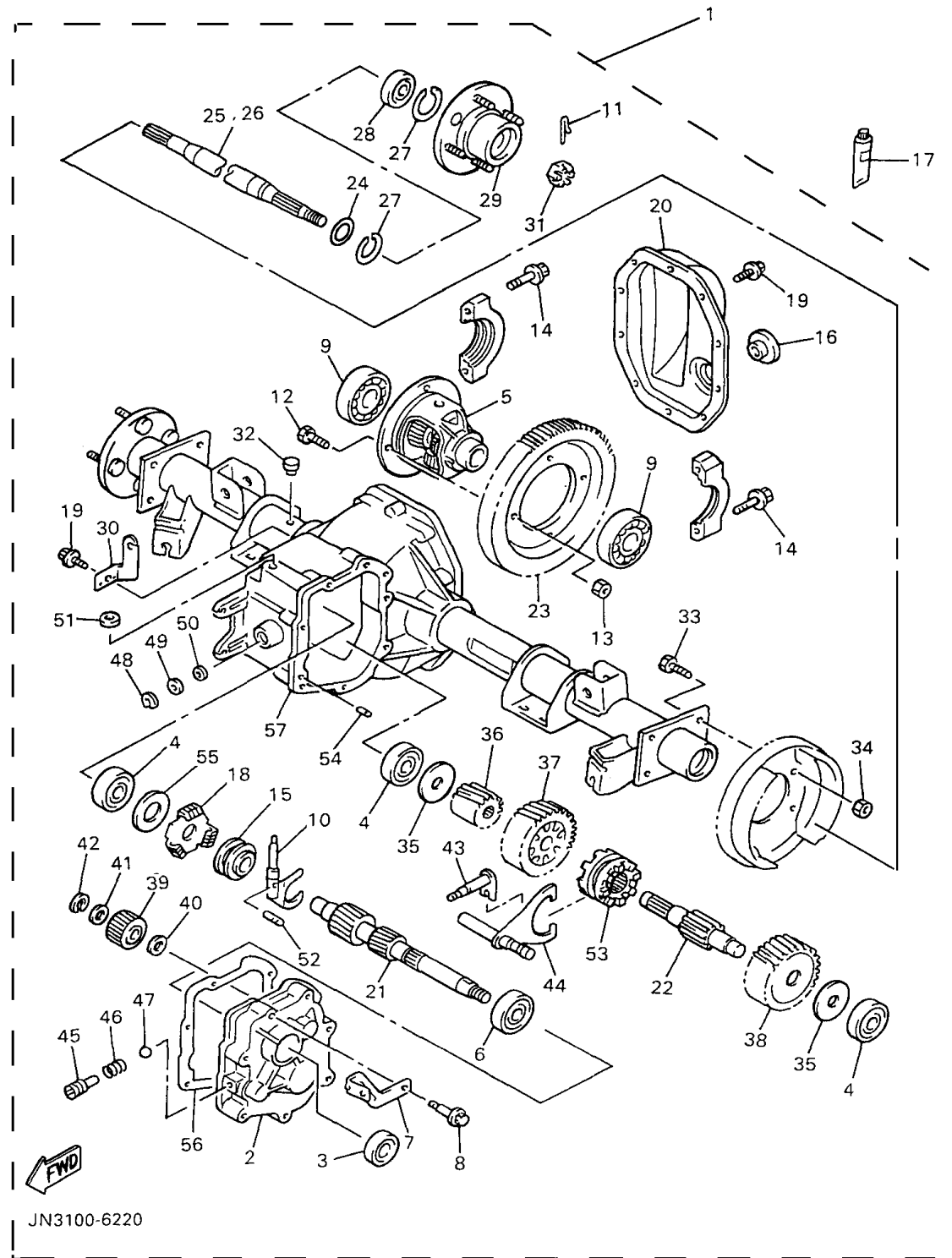
Ref. No.	Part Number	Description	Qty	Remarks
61	JN3-G8330-00-00	CABLE, SHIFT	1	
62	J55-G6383-00-00	. LEVER, SHIFT	1	
63	JN3-G6371-00-00	. WIRE, SHIFT	2	
64	91702-06014-00	PIN	2	
65	92907-06600-00	.WASHER, PLATE	2	
66	91490-20025-00	PIN, SPLIT	2	
67	JN3-G6381-00-00	KNOB, SHIFT	1	
68	JN3-G6376-00-00	SPRING, SET	1	
69	90201-201L9-00	WASHER, PLAIN	1	
70	90201-19551-00	WASHER, PLAIN	1	
71	99009-19400-00	CIRCLIP	1	
72	98507-04016-00	SCREW, PAN HEAD	2	
73	92907-04100-00	WASHER, SPRING	2	
74	92907-04600-00	WASHER	2	
75	JN3-G6372-00-00	BRACKET, SHIFT	1	
76	95817-06016-00	BOLT, FLANGE	4	
77	JN3-82617-00-00	SWITCH	1	
78	90464-06038-00	CLAMP	1	
79	90461-08133-00	CLAMP	1	
80	95807-06016-00	BOLT, FLANGE	1	
81	JF2-46382-00-00	LEVER, SHIFT	1	

CONTENTS

ACCELERATOR	B10
AIR SHROUD FAN	A5
BODY 1	C12 ,D1
BODY 2	D2-3
BODY FITTING	D4
BRAKE 1	B6-7
BRAKE 2	B8
BRAKE 3	B9
BUMPER	C11
CAMSHAFT VALVE	A4
CARBURETOR	A8
CARRIER	D5-6
CRANKCASE	A10
CRANKSHAFT PISTON	A3
CYLINDER HEAD	A2
ELECTRICAL 1	D10
ELECTRICAL 2	D11-12
ENGINE BRACKET	A11
EXHAUST	A9
FRAME	B1
FRONT SUSPENSION WHEEL	B2-3
FUEL TANK	B5
GOVERNOR	B11
INTAKE	A6-7
OPTIONAL HUB CAPS	E8
OPTIONAL LIGHT KIT	E1
OPTIONAL LIGHT KIT	
STREAMLINE JU0	E2-3
OPTIONAL SUN ROOF JN3	E6
OPTIONAL SUN ROOF JN6	E7
OPTIONAL WINDSHIELD JN3	E4
OPTIONAL WINDSHIELD JN6	E5
PRIMARY SHEAVE	B12
REAR ARM SUSPENSION	A12
REAR AXLE WHEEL-118822	C9
REAR WHEEL JN3-118823-	C10
SEAT	D7
SECONDARY SHEAVE	C1
SHIFTING LEVER 118823-	C8
STARTER GENERATOR	D8-9
STEERING	B4
TRANSAXLE 118823-	C5-7
TRANSMISSION	
JN3-000101~118822	C2-4
-MODELS IN THIS CATALOG	E9



TRANSAXLE 118823~



Ref. #1, Transaxle Assembly includes all parts except Sealant, ref. #17.

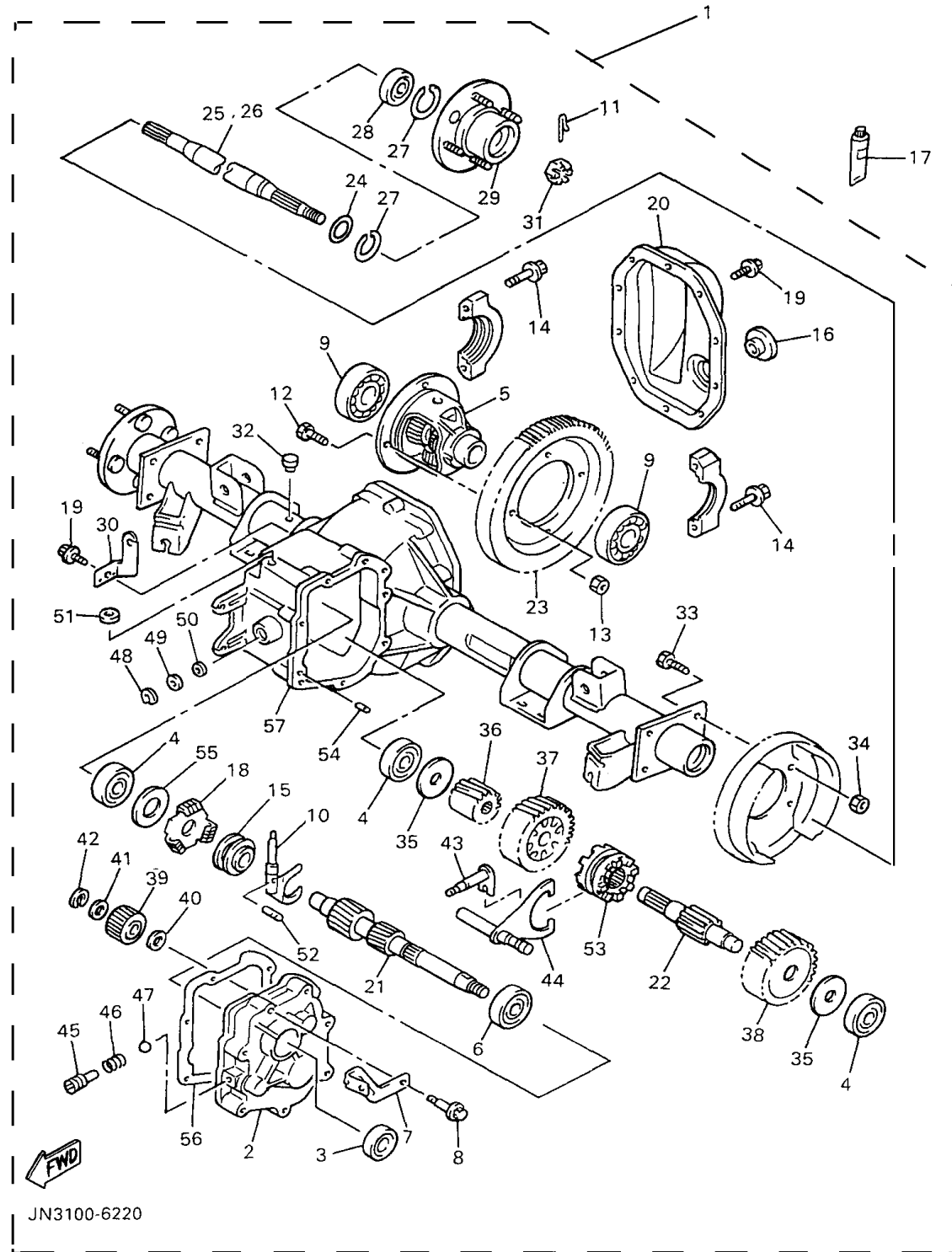
Ref. No.	Part Number	Description	Qty	Remarks
1	JN3-G6300-04-00	TRANSAXLE ASSEMBLY	1	WITH BRAKE PLATES
2	JN3-G6313-00-00	. COVER, TRANSMISSION	1	
3	93102-25868-00	. OIL SEAL	1	
4	93306-303Y6-00	. BEARING	3	
5	JN3-G6410-00-00	. DIFFERENTIAL ASSEMBLY	1	
6	93306-005Y4-00	. BEARING	1	
7	JN3-G6555-00-00	. BRACKET 2	1	
8	90105-08859-00	. BOLT, FLANGE	7	
9	93306-007Y0-00	. BEARING	2	
10	JN3-G633E-00-00	. BAR	1	
11	91490-25030-00	. PIN, COTTER	2	
12	90101-10854-00	. BOLT, HEX	4	
13	90170-10840-00	. NUT, HEX	4	
14	90105-10840-00	. BOLT, FLANGE	4	
15	JN3-G6368-00-00	. COLLAR, IDLER	1	
16	JN3-G6432-00-00	. STOPPER	1	
17	ACC-QUICK-GS-KT	SEALANT	1	
18	JN3-G6336-00-00	. PLATE, 1	1	
19	90101-08856-00	. BOLT, HEX	11	
20	JN3-G6314-00-00	. COVER, TRANSMISSION	1	
21	JN3-G6321-00-00	. SHAFT, INPUT	1	
22	JN3-G633G-00-00	. SHAFT	1	
23	JN3-G6355-00-00	. GEAR, PRIMARY	1	
24	93101-24822-00	. OIL SEAL	2	
25	JN3-G6511-00-00	. SHAFT, REAR AXLE	1	
26	JN3-G6512-00-00	. SHAFT, REAR AXLE	1	
27	93420-44805-00	. CIRCLIP	4	
28	93306-004X5-00	. BEARING	2	
29	JN3-G6514-00-00	. HUB, REAR AXLE	2	
30	JN3-G6556-00-00	. BRACKET	1	

CONTENTS

ACCELERATOR	B10
AIR SHROUD FAN	A5
BODY 1	C12 ,D1
BODY 2	D2-3
BODY FITTING	D4
BRAKE 1	B6-7
BRAKE 2	B8
BRAKE 3	B9
BUMPER	C11
CAMSHAFT VALVE	A4
CARBURETOR	A8
CARRIER	D5-6
CRANKCASE	A10
CRANKSHAFT PISTON	A3
CYLINDER HEAD	A2
ELECTRICAL 1	D10
ELECTRICAL 2	D11-12
ENGINE BRACKET	A11
EXHAUST	A9
FRAME	B1
FRONT SUSPENSION WHEEL	B2-3
FUEL TANK	B5
GOVERNOR	B11
INTAKE	A6-7
OPTIONAL HUB CAPS	E8
OPTIONAL LIGHT KIT	E1
OPTIONAL LIGHT KIT	
STREAMLINE JU0	E2-3
OPTIONAL SUN ROOF JN3	E6
OPTIONAL SUN ROOF JN6	E7
OPTIONAL WINDSHIELD JN3	E4
OPTIONAL WINDSHIELD JN6	E5
PRIMARY SHEAVE	B12
REAR ARM SUSPENSION	A12
REAR AXLE WHEEL-118822	C9
REAR WHEEL JN3-118823-	C10
SEAT	D7
SECONDARY SHEAVE	C1
SHIFTING LEVER 118823-	C8
STARTER GENERATOR	D8-9
STEERING	B4
TRANSAXLE 118823-	C5-7
TRANSMISSION	
JN3-000101~118822	C2-4
~MODELS IN THIS CATALOG	E9

CONTINUED ON NEXT FRAME ►

TRANSAXLE 118823~



JN3100-6220

Ref. #1, Transaxle Assembly includes all parts except Sealant, ref. #17.

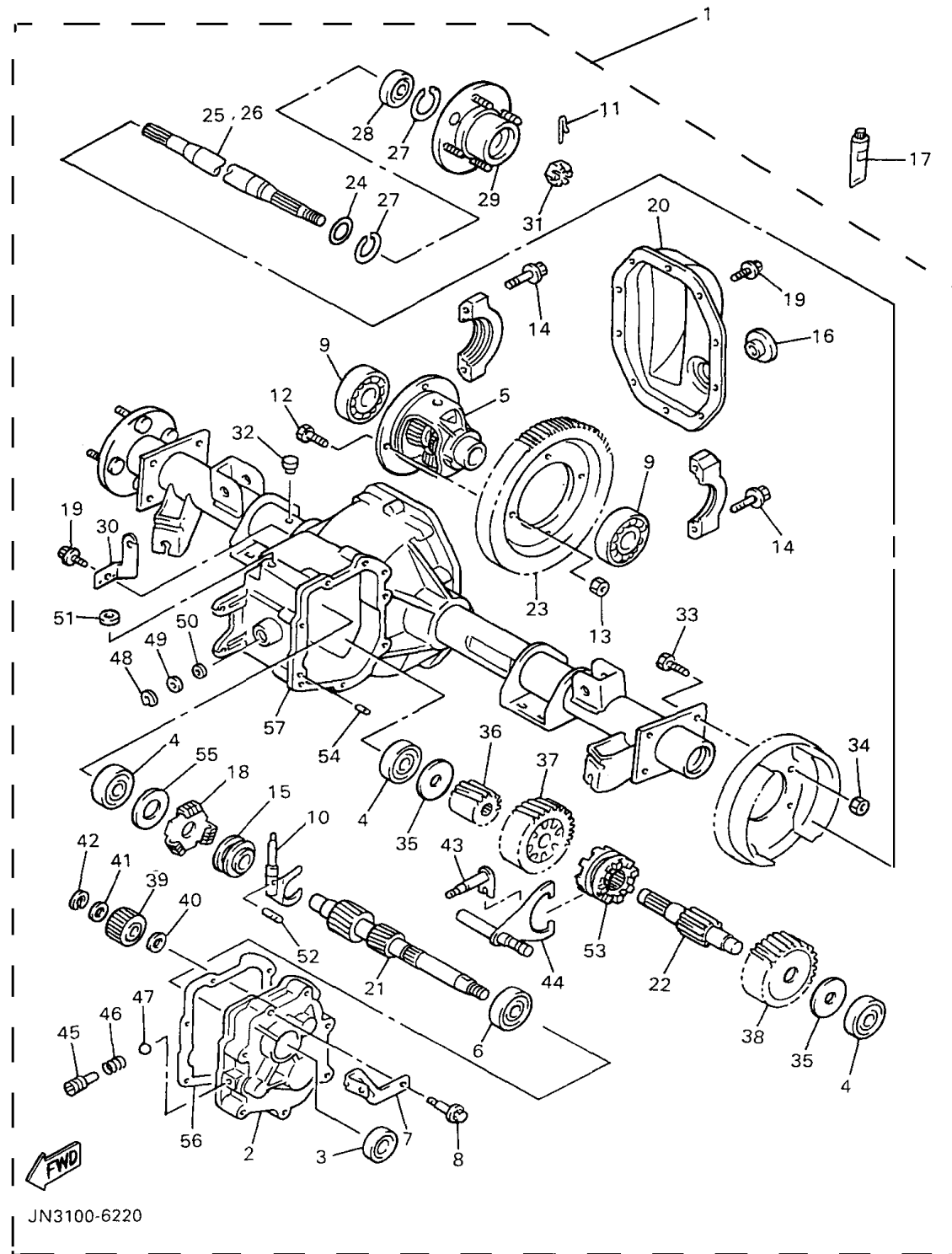
Ref. No.	Part Number	Description	Qty	Remarks
31	90185-16833-00	. NUT, SELF-LOCKING	2	
32	JH7-G5619-00-00	. CAP	1	
33	90101-08855-00	. BOLT, HEX	8	
34	90170-08841-00	. NUT, HEX	8	
35	90201-178H8-00	. WASHER, PLAIN	2	
36	JN3-G6316-00-00	. GEAR, PINION	1	
37	JN3-G6326-00-00	. GEAR, WHEEL	1	
38	JN3-G6327-00-00	. GEAR, WHEEL	1	
39	JN3-G6356-00-00	. GEAR, IDLER	1	
40	90201-208H9-00	. WASHER, PLATE	1	
41	90201-208J0-00	. WASHER, PLATE	1	
42	93440-20813-00	. CIRCLIP	1	
43	JN3-G638A-00-00	. BAR, SHIFT	1	
44	JN3-G638E-00-00	. BAR, SHIFT	1	
45	90113-08803-00	. BOLT, SET	1	
46	90501-10852-00	. SPRING, COMPRESSION	1	
47	93500-06826-00	. BALL	1	
48	93410-12822-00	. CIRCLIP	1	
49	90202-12807-00	. WASHER, PLAIN	1	
50	93104-11829-00	. OIL SEAL	1	
51	93104-09828-00	. OIL SEAL	1	
52	JN3-G6249-00-00	. BOLT	1	
53	JN3-G6153-00-00	. COLLAR, GUIDE	1	
54	93606-10842-00	. PIN, DOWEL	2	
55	JN3-G6344-00-00	. SHIM, 0.76MM (0.030IN)	1	UR
	JN3-G6344-10-00	. SHIM, 0.90MM (0.035IN)	1	UR
	JN3-G6344-20-00	. SHIM, 1.00MM (0.040IN)	1	UR
	JN3-G6344-30-00	. SHIM, 1.14MM (0.045IN)	1	UR
	JN3-G6344-40-00	. SHIM, 1.27MM (0.050IN)	1	UR
	JN3-G6344-50-00	. SHIM, 1.39MM (0.055IN)	1	UR

CONTENTS

ACCELERATOR	B10
AIR SHROUD FAN	A5
BODY 1	C12 ,D1
BODY 2	D2-3
BODY FITTING	D4
BRAKE 1	B6-7
BRAKE 2	B8
BRAKE 3	B9
BUMPER	C11
CAMSHAFT VALVE	A4
CARBURETOR	A8
CARRIER	D5-6
CRANKCASE	A10
CRANKSHAFT PISTON	A3
CYLINDER HEAD	A2
ELECTRICAL 1	D10
ELECTRICAL 2	D11-12
ENGINE BRACKET	A11
EXHAUST	A9
FRAME	B1
FRONT SUSPENSION WHEEL	B2-3
FUEL TANK	B5
GOVERNOR	B11
INTAKE	A6-7
OPTIONAL HUB CAPS	E8
OPTIONAL LIGHT KIT	E1
OPTIONAL LIGHT KIT	
STREAMLINE JU0	E2-3
OPTIONAL SUN ROOF JN3	E6
OPTIONAL SUN ROOF JN6	E7
OPTIONAL WINDSHIELD JN3	E4
OPTIONAL WINDSHIELD JN6	E5
PRIMARY SHEAVE	B12
REAR ARM SUSPENSION	A12
REAR AXLE WHEEL-118822	C9
REAR WHEEL JN3-118823-	C10
SEAT	D7
SECONDARY SHEAVE	C1
SHIFTING LEVER 118823-	C8
STARTER GENERATOR	D8-9
STEERING	B4
TRANSAXLE 118823-	C5-7
TRANSMISSION	
JN3-000101~118822	C2-4
~MODELS IN THIS CATALOG	E9

CONTINUED ON NEXT FRAME ►

TRANSAXLE 118823~



JN3100-6220

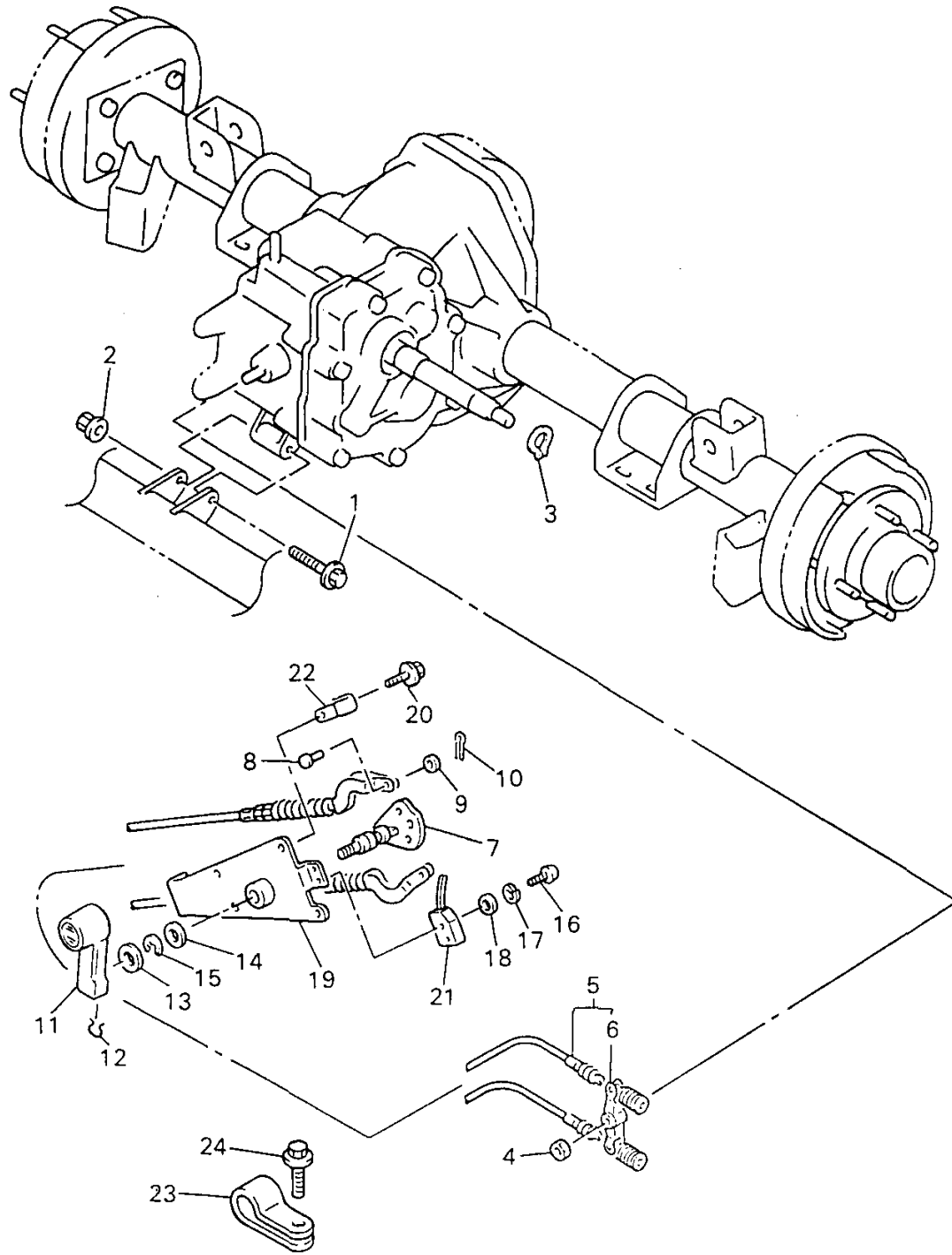
Ref. #1, Transaxle Assembly includes all parts except Sealant, ref. #17.

Ref. No.	Part Number	Description	Qty	Remarks
55	JN3-G6344-60-00	. SHIM, 1.52MM (0.060IN)	1	UR
	JN3-G6344-70-00	. SHIM, 1.65MM (0.065IN)	1	UR
	JN3-G6344-80-00	. SHIM, 0.38MM (0.015IN)	1	UR
56	JN3-G6319-00-00	. GASKET	1	
57	JN3-G6290-00-00	. CASE ASSEMBLY	1	

CONTENTS

ACCELERATOR	B10
AIR SHROUD FAN	A5
BODY 1	C12 ,D1
BODY 2	D2-3
BODY FITTING	D4
BRAKE 1	B6-7
BRAKE 2	B8
BRAKE 3	B9
BUMPER	C11
CAMSHAFT VALVE	A4
CARBURETOR	A8
CARRIER	D5-6
CRANKCASE	A10
CRANKSHAFT PISTON	A3
CYLINDER HEAD	A2
ELECTRICAL 1	D10
ELECTRICAL 2	D11-12
ENGINE BRACKET	A11
EXHAUST	A9
FRAME	B1
FRONT SUSPENSION WHEEL	B2-3
FUEL TANK	B5
GOVERNOR	B11
INTAKE	A6-7
OPTIONAL HUB CAPS	E8
OPTIONAL LIGHT KIT	E1
OPTIONAL LIGHT KIT	
OPTIONAL LIGHT KIT	
STREAMLINE JU0	E2-3
OPTIONAL SUN ROOF JN3	E6
OPTIONAL SUN ROOF JN6	E7
OPTIONAL WINDSHIELD JN3	E4
OPTIONAL WINDSHIELD JN6	E5
PRIMARY SHEAVE	B12
REAR ARM SUSPENSION	A12
REAR AXLE WHEEL-118822	C9
REAR WHEEL JN3-118823-	C10
SEAT	D7
SECONDARY SHEAVE	C1
SHIFTING LEVER 118823-	C8
STARTER GENERATOR	D8-9
STEERING	B4
TRANSAXLE 118823-	C5-7
TRANSMISSION	
JN3-000101~118822	C2-4
~MODELS IN THIS CATALOG	E9

SHIFTING LEVER 118823~



JN3100-6230

G14AM_AP

Ref. No.	Part Number	Description	Qty	Remarks
1	95817-08075-00	BOLT, FLANGE	1	
2	95707-08500-00	NUT, FLANGE	1	
3	93410-25017-00	CIRCLIP	1	
4	95607-08100-00	NUT, U	1	
5	JN3-G8330-00-00	CABLE, SHIFT	1	
6	J55-G6383-00-00	LEVER, SHIFT	1	
7	JF2-46382-00-00	LEVER, SHIFT	1	
8	91702-06014-00	PIN	2	
9	92907-06600-00	WASHER, PLATE	2	
10	91490-20025-00	PIN, SPLIT	2	
11	JN3-G6381-00-00	KNOB, SHIFT	1	
12	JN3-G6376-00-00	SPRING, SET	1	
13	90201-201L9-00	WASHER, PLAIN	1	
14	90201-19551-00	WASHER, PLAIN	1	
15	99009-19400-00	CIRCLIP	1	
16	98507-04016-00	SCREW, PAN HEAD	2	
17	92907-04100-00	WASHER, SPRING	2	
18	92907-04600-00	WASHER	2	
19	JN3-G6372-00-00	BRACKET, SHIFT	1	
20	95817-06016-00	BOLT, FLANGE	4	
21	JN3-82617-00-00	SWITCH	1	
22	90465-06038-00	CLAMP	1	
23	90461-08133-00	CLAMP	1	
24	95807-06016-00	BOLT, FLANGE	1	

CONTENTS

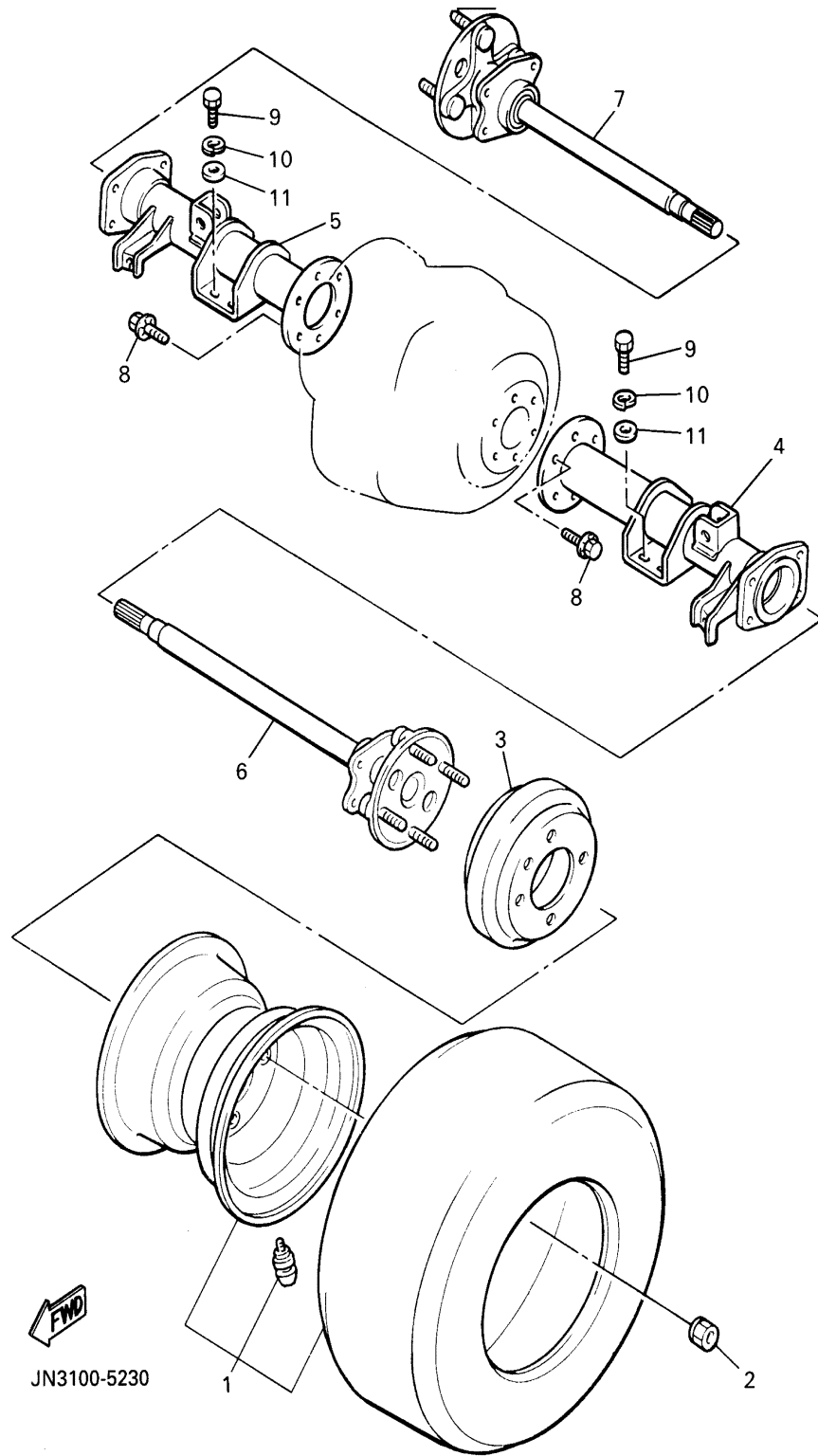
ACCELERATOR	B10
AIR SHROUD FAN	A5
BODY 1	C12 ,D1
BODY 2	D2-3
BODY FITTING	D4
BRAKE 1	B6-7
BRAKE 2	B8
BRAKE 3	B9
BUMPER	C11
CAMSHAFT VALVE	A4
CARBURETOR	A8
CARRIER	D5-6
CRANKCASE	A10
CRANKSHAFT PISTON	A3
CYLINDER HEAD	A2
ELECTRICAL 1	D10
ELECTRICAL 2	D11-12
ENGINE BRACKET	A11
EXHAUST	A9
FRAME	B1
FRONT SUSPENSION WHEEL	B2-3
FUEL TANK	B5
GOVERNOR	B11
INTAKE	A6-7
OPTIONAL HUB CAPS	E8
OPTIONAL LIGHT KIT	E1
OPTIONAL LIGHT KIT	
STREAMLINE JU0	E2-3
OPTIONAL SUN ROOF JN3	E6
OPTIONAL SUN ROOF JN6	E7
OPTIONAL WINDSHIELD JN3	E4
OPTIONAL WINDSHIELD JN6	E5
PRIMARY SHEAVE	B12
REAR ARM SUSPENSION	A12
REAR AXLE WHEEL-118822	C9
REAR WHEEL JN3-118823-	C10
SEAT	D7
SECONDARY SHEAVE	C1
SHIFTING LEVER 118823-	C8
STARTER GENERATOR	D8-9
STEERING	B4
TRANSAXLE 118823-	C5-7
TRANSMISSION	
JN3-000101~118822	C2-4
~MODELS IN THIS CATALOG	E9

REAR AXLE WHEEL~118822

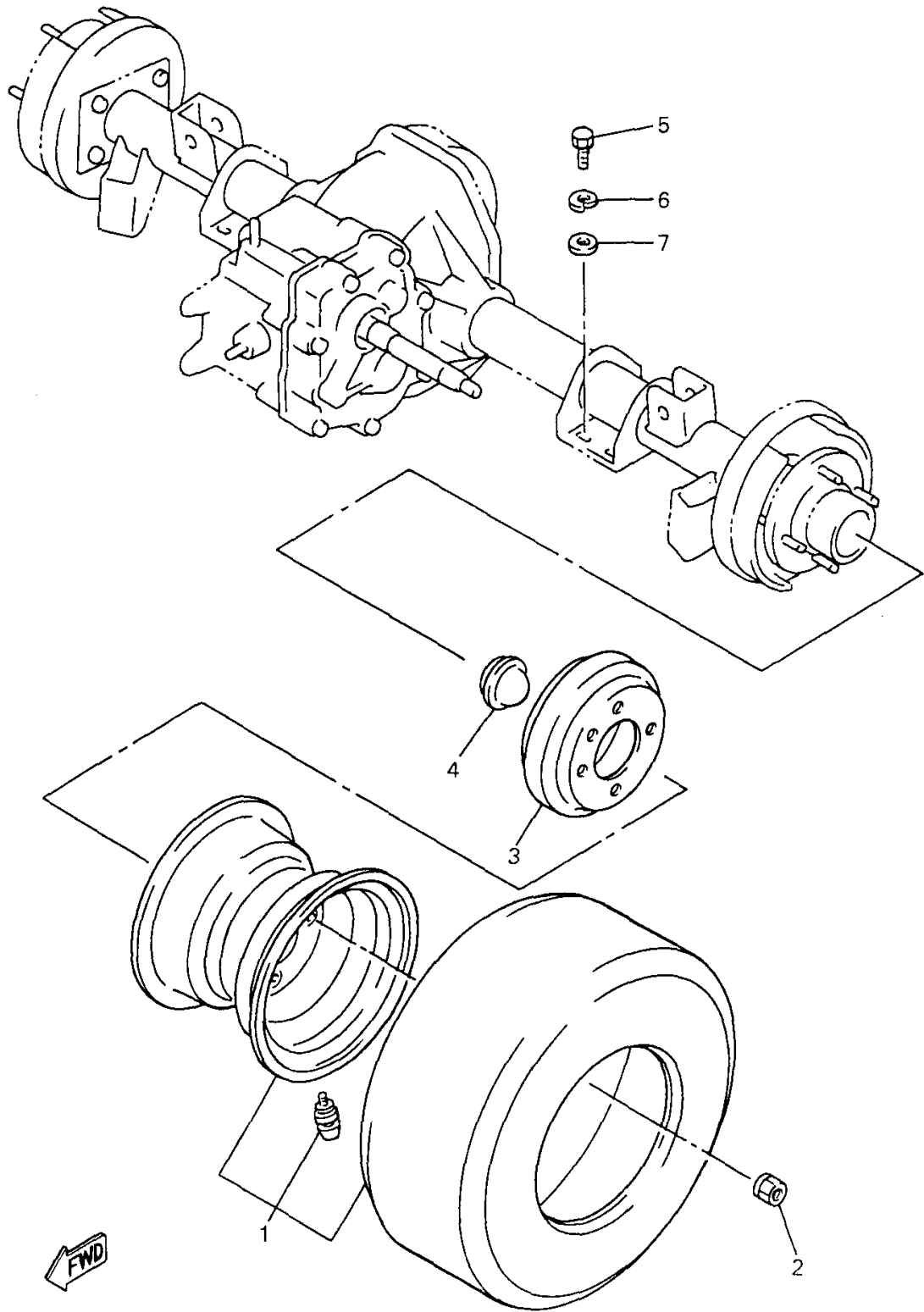
Ref. No.	Part Number	Description	Qty	Remarks
1	JG5-F5100-30-00	FRONT WHEEL ASSEMBLY (JG5-F5100-30-00)	2	
2	90179-12262-00	NUT	8	
3	J55-G6521-00-00	DRUM	2	
4	JN3-46540-01-00	REAR AXLE HOUSING COMP	1	
5	JN3-46550-01-00	REAR AXLE HOUSING COMP 2	1	
6	JF2-46510-00-00	REAR AXLE SHAFT COMP	1	
7	JF2-46520-00-00	REAR AXLE SHAFT COMP 2	1	
8	95817-08025-00	BOLT, FLANGE	12	
9	97017-10020-00	BOLT	8	
10	92907-10100-00	WASHER, SPRING	8	
11	90201-102G9-00	WASHER, PLATE	8	

CONTENTS

ACCELERATOR	B10
AIR SHROUD FAN	A5
BODY 1	C12 ,D1
BODY 2	D2-3
BODY FITTING	D4
BRAKE 1	B6-7
BRAKE 2	B8
BRAKE 3	B9
BUMPER	C11
CAMSHAFT VALVE	A4
CARBURETOR	A8
CARRIER	D5-6
CRANKCASE	A10
CRANKSHAFT PISTON	A3
CYLINDER HEAD	A2
ELECTRICAL 1	D10
ELECTRICAL 2	D11-12
ENGINE BRACKET	A11
EXHAUST	A9
FRAME	B1
FRONT SUSPENSION WHEEL	B2-3
FUEL TANK	B5
GOVERNOR	B11
INTAKE	A6-7
OPTIONAL HUB CAPS	E8
OPTIONAL LIGHT KIT	E1
OPTIONAL LIGHT KIT	
STREAMLINE JU0	E2-3
OPTIONAL SUN ROOF JN3	E6
OPTIONAL SUN ROOF JN6	E7
OPTIONAL WINDSHIELD JN3	E4
OPTIONAL WINDSHIELD JN6	E5
PRIMARY SHEAVE	B12
REAR ARM SUSPENSION	A12
REAR AXLE WHEEL~118822	C9
REAR WHEEL JN3-118823~	C10
SEAT	D7
SECONDARY SHEAVE	C1
SHIFTING LEVER 118823~	C8
STARTER GENERATOR	D8-9
STEERING	B4
TRANSAXLE 118823~	C5-7
TRANSMISSION	
JN3-000101~118822	C2-4
~MODELS IN THIS CATALOG	E9



REAR WHEEL JN3-118823~



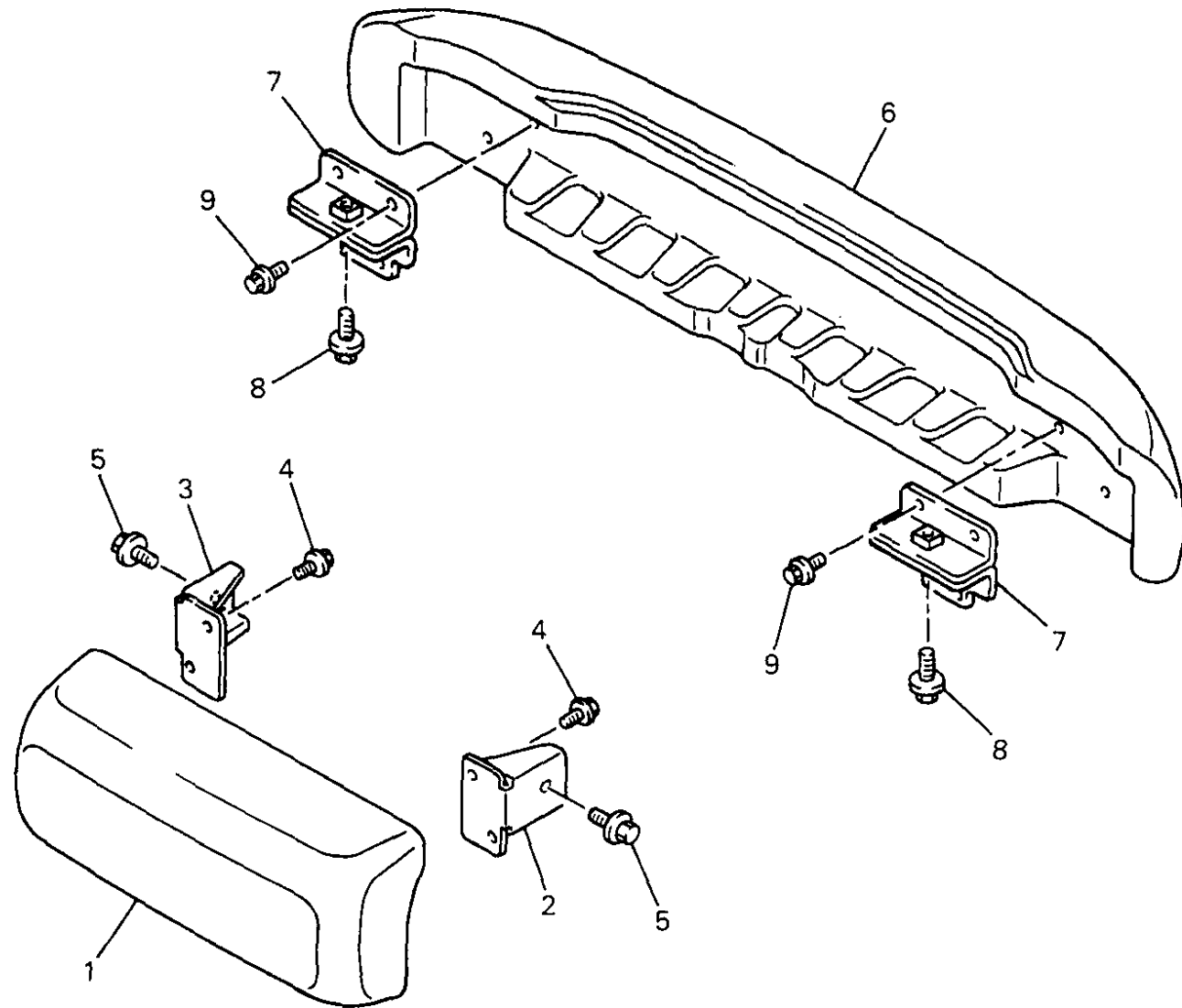
Ref. No.	Part Number	Description	Qty	Remarks
1	JN6-F5100-11-00	FRONT WHEEL ASSY, IVORY .	2	
2	90179-12262-00	NUT	8	
3	J55-G6521-00-00	DRUM	2	
4	J17-25118-00-00	COVER, HUB DUST	2	
5	97017-10020-00	BOLT	8	
6	92907-10100-00	WASHER, SPRING	8	
7	92907-10600-00	WASHER, PLATE	8	

CONTENTS

ACCELERATOR	B10
AIR SHROUD FAN	A5
BODY 1	C12 ,D1
BODY 2	D2-3
BODY FITTING	D4
BRAKE 1	B6-7
BRAKE 2	B8
BRAKE 3	B9
BUMPER	C11
CAMSHAFT VALVE	A4
CARBURETOR	A8
CARRIER	D5-6
CRANKCASE	A10
CRANKSHAFT PISTON	A3
CYLINDER HEAD	A2
ELECTRICAL 1	D10
ELECTRICAL 2	D11-12
ENGINE BRACKET	A11
EXHAUST	A9
FRAME	B1
FRONT SUSPENSION WHEEL	B2-3
FUEL TANK	B5
GOVERNOR	B11
INTAKE	A6-7
OPTIONAL HUB CAPS	E8
OPTIONAL LIGHT KIT	E1
OPTIONAL LIGHT KIT	
STREAMLINE JU0	E2-3
OPTIONAL SUN ROOF JN3	E6
OPTIONAL SUN ROOF JN6	E7
OPTIONAL WINDSHIELD JN3	E4
OPTIONAL WINDSHIELD JN6	E5
PRIMARY SHEAVE	B12
REAR ARM SUSPENSION	A12
REAR AXLE WHEEL-118822	C9
REAR WHEEL JN3-118823~	C10
SEAT	D7
SECONDARY SHEAVE	C1
SHIFTING LEVER 118823~	C8
STARTER GENERATOR	D8-9
STEERING	B4
TRANSAXLE 118823~	C5-7
TRANSMISSION	
JN3-000101~118822	C2-4
~MODELS IN THIS CATALOG	E9

JN3100-6240

BUMPER



Ref. No.	Part Number	Description	Qty	Remarks
1	JN3-K7510-00-00	FRONT BUMPER COMP.	1	
2	JN3-K8164-00-00	STAY, FRONT BUMPER	1	
3	JN3-K8165-00-00	STAY, FRONT BUMPER	1	
4	95817-06016-00	BOLT, FLANGE	4	
5	95817-08020-00	BOLT, FLANGE	2	
6	JN3-K7540-00-00	REAR BUMPER	1	
7	JN3-K8174-00-00	STAY, REAR BUMPER	2	
8	95817-10020-00	BOLT, FLANGE	2	
9	95817-06016-00	BOLT, FLANGE	4	

CONTENTS

ACCELERATOR	B10
AIR SHROUD FAN	A5
BODY 1	C12 ,D1
BODY 2	D2-3
BODY FITTING	D4
BRAKE 1	B6-7
BRAKE 2	B8
BRAKE 3	B9
BUMPER	C11
CAMSHAFT VALVE	A4
CARBURETOR	A8
CARRIER	D5-6
CRANKCASE	A10
CRANKSHAFT PISTON	A3
CYLINDER HEAD	A2
ELECTRICAL 1	D10
ELECTRICAL 2	D11-12
ENGINE BRACKET	A11
EXHAUST	A9
FRAME	B1
FRONT SUSPENSION WHEEL	B2-3
FUEL TANK	B5
GOVERNOR	B11
INTAKE	A6-7
OPTIONAL HUB CAPS	E8
OPTIONAL LIGHT KIT	E1
OPTIONAL LIGHT KIT	
STREAMLINE JU0	E2-3
OPTIONAL SUN ROOF JN3	E6
OPTIONAL SUN ROOF JN6	E7
OPTIONAL WINDSHIELD JN3	E4
OPTIONAL WINDSHIELD JN6	E5
PRIMARY SHEAVE	B12
REAR ARM SUSPENSION	A12
REAR AXLE WHEEL-118822	C9
REAR WHEEL JN3-118823-	C10
SEAT	D7
SECONDARY SHEAVE	C1
SHIFTING LEVER 118823-	C8
STARTER GENERATOR	D8-9
STEERING	B4
TRANSAXLE 118823-	C5-7
TRANSMISSION	
JN3-000101-118822	C2-4
-MODELS IN THIS CATALOG	E9



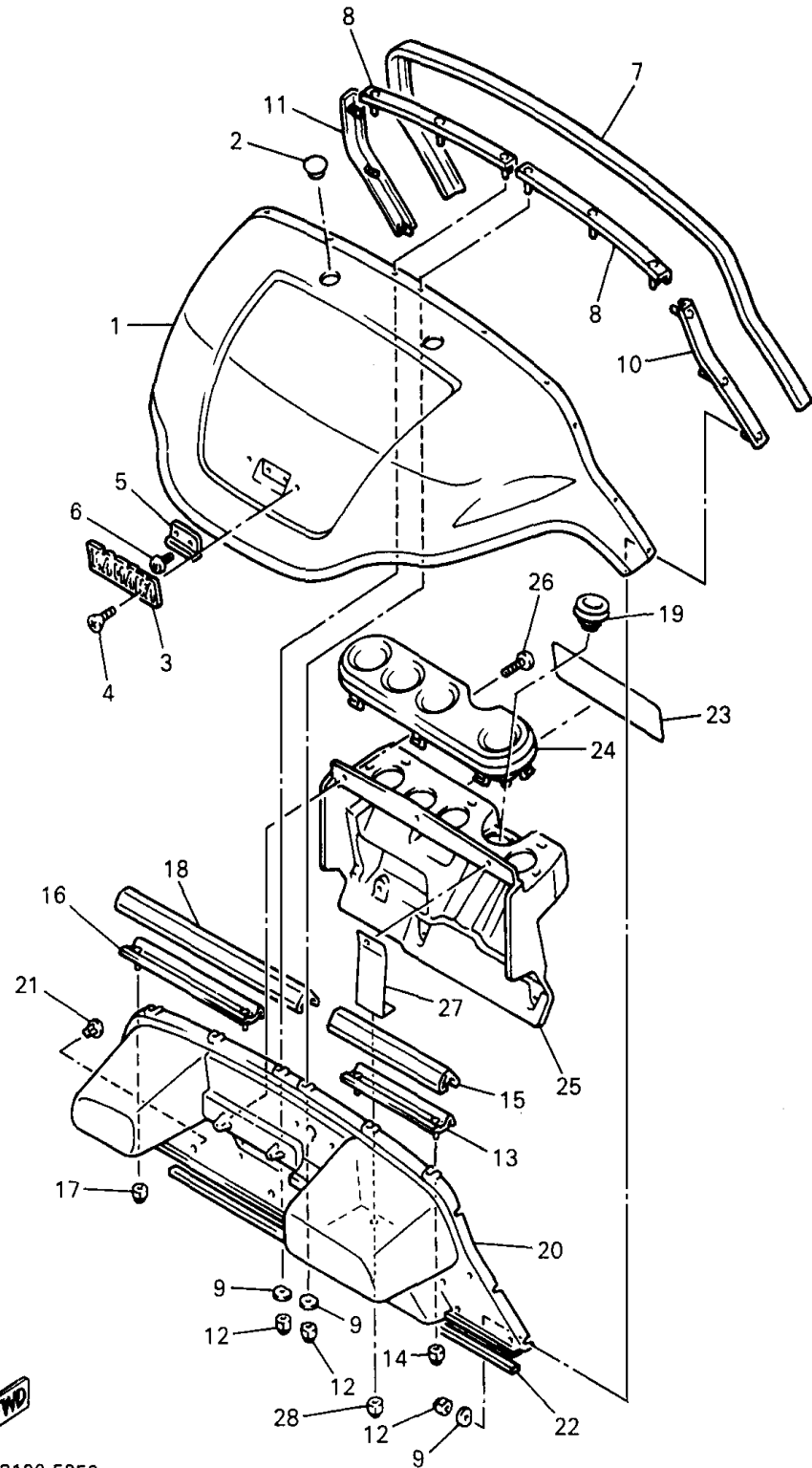
JN3100-5240

BODY 1

Ref. No.	Part Number	Description	Qty	Remarks
1	JN3-K8115-00-00	COWL, FRONT	1	STD (IVORY) (09E)
	JN3-K8115-10-00	COWL, FRONT	1	UR (RED) (391)
	JN3-K8115-20-00	COWL, FRONT	1	UR (GRAY) (483)
	JN3-K8115-30-00	COWL, FRONT	1	UR (TEAL) (519)
2	JN3-K818E-00-00	CAP, PROTECTOR	2	
3	J38-24161-00-00	EMBLEM 1	1	
4	90162-04002-00	SCREW, OVAL C	2	
5	JF2-K811G-00-00	BOLT, COWL FITTING	1	
6	98980-06016-00	SCREW, BINDING	2	
7	JF2-K811V-00-00	PROTECTOR	1	
8	JF2-K8261-00-00	PLATE, BODY PROTECTOR ..	2	
9	JN3-K8117-00-00	PLATE	12	
10	JF2-K8262-00-00	PLATE, BODY PROTECTOR ..	1	
11	JF2-K8263-00-00	PLATE, BODY PROTECTOR ..	1	
12	95380-06800-00	NUT	12	
13	JN3-K8264-00-00	PLATE, BODY PROTECT 4 ...	1	
14	95607-06200-00	NUT, SELF U-FLANGE	2	
15	JN3-K811W-00-00	PROTECTOR 2	1	
16	JN3-K8265-00-00	PLATE, BODY PROTECT 5 ...	1	
17	95607-06200-00	NUT, SELF U-FLANGE	2	
18	JN3-K811X-00-00	PROTECTOR 3	1	
19	JN3-K8273-00-00	COVER, HOLE	1	
20	JF2-K8114-02-00	PANEL, FRONT	1	
21	90269-08069-00	RIVET	3	
22	JN3-K815G-00-00	SEAL, FRONT STORAGE	1	
23	JN3-K7768-00-00	LABEL, WARNING 8	1	
24	JN3-K835E-00-00	HOLDER, BEVERAGE	1	
25	JN3-K835G-00-00	HOUSING, HOLDER	1	
26	97707-60130-00	SCREW, PAN HEAD	6	
27	JN3-K8182-00-00	PLATE 2	1	

CONTENTS

ACCELERATOR	B10
AIR SHROUD FAN	A5
BODY 1	C12 ,D1
BODY 2	D2-3
BODY FITTING	D4
BRAKE 1	B6-7
BRAKE 2	B8
BRAKE 3	B9
BUMPER	C11
CAMSHAFT VALVE	A4
CARBURETOR	A8
CARRIER	D5-6
CRANKCASE	A10
CRANKSHAFT PISTON	A3
CYLINDER HEAD	A2
ELECTRICAL 1	D10
ELECTRICAL 2	D11-12
ENGINE BRACKET	A11
EXHAUST	A9
FRAME	B1
FRONT SUSPENSION WHEEL	B2-3
FUEL TANK	B5
GOVERNOR	B11
INTAKE	A6-7
OPTIONAL HUB CAPS	E8
OPTIONAL LIGHT KIT	E1
OPTIONAL LIGHT KIT	
STREAMLINE JU0	E2-3
OPTIONAL SUN ROOF JN3	E6
OPTIONAL SUN ROOF JN6	E7
OPTIONAL WINDSHIELD JN3	E4
OPTIONAL WINDSHIELD JN6	E5
PRIMARY SHEAVE	B12
REAR ARM SUSPENSION	A12
REAR AXLE WHEEL-118822	C9
REAR WHEEL JN3-118823-	C10
SEAT	D7
SECONDARY SHEAVE	C1
SHIFTING LEVER 118823-	C8
STARTER GENERATOR	D8-9
STEERING	B4
TRANSAXLE 118823-	C5-7
TRANSMISSION	
JN3-000101~118822	C2-4
-MODELS IN THIS CATALOG	E9



JN3100-5250

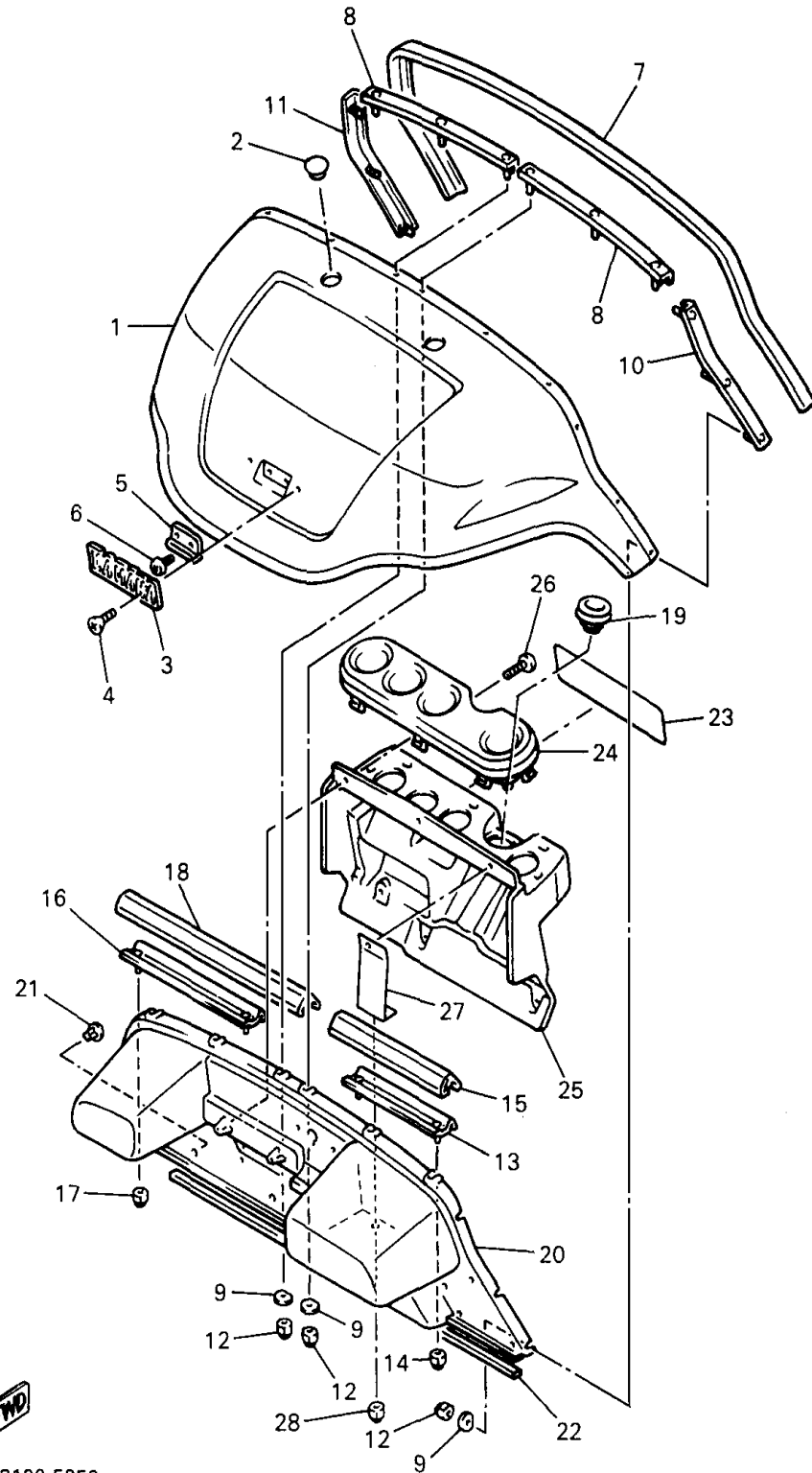
CONTINUED ON NEXT FRAME ►

BODY 1

Ref. No.	Part Number	Description	Qty	Remarks
28	95607-06200-00	NUT, SELF U-FLANGE	1	

CONTENTS

ACCELERATOR	B10
AIR SHROUD FAN	A5
BODY 1	C12 ,D1
BODY 2	D2-3
BODY FITTING	D4
BRAKE 1	B6-7
BRAKE 2	B8
BRAKE 3	B9
BUMPER	C11
CAMSHAFT VALVE	A4
CARBURETOR	A8
CARRIER	D5-6
CRANKCASE	A10
CRANKSHAFT PISTON	A3
CYLINDER HEAD	A2
ELECTRICAL 1	D10
ELECTRICAL 2	D11-12
ENGINE BRACKET	A11
EXHAUST	A9
FRAME	B1
FRONT SUSPENSION WHEEL	B2-3
FUEL TANK	B5
GOVERNOR	B11
INTAKE	A6-7
OPTIONAL HUB CAPS	E8
OPTIONAL LIGHT KIT	E1
OPTIONAL LIGHT KIT	
STREAMLINE JU0	E2-3
OPTIONAL SUN ROOF JN3	E6
OPTIONAL SUN ROOF JN6	E7
OPTIONAL WINDSHIELD JN3	E4
OPTIONAL WINDSHIELD JN6	E5
PRIMARY SHEAVE	B12
REAR ARM SUSPENSION	A12
REAR AXLE WHEEL-118822	C9
REAR WHEEL JN3-118823-	C10
SEAT	D7
SECONDARY SHEAVE	C1
SHIFTING LEVER 118823-	C8
STARTER GENERATOR	D8-9
STEERING	B4
TRANSAXLE 118823-	C5-7
TRANSMISSION	
JN3-000101-118822	C2-4
-MODELS IN THIS CATALOG	E9

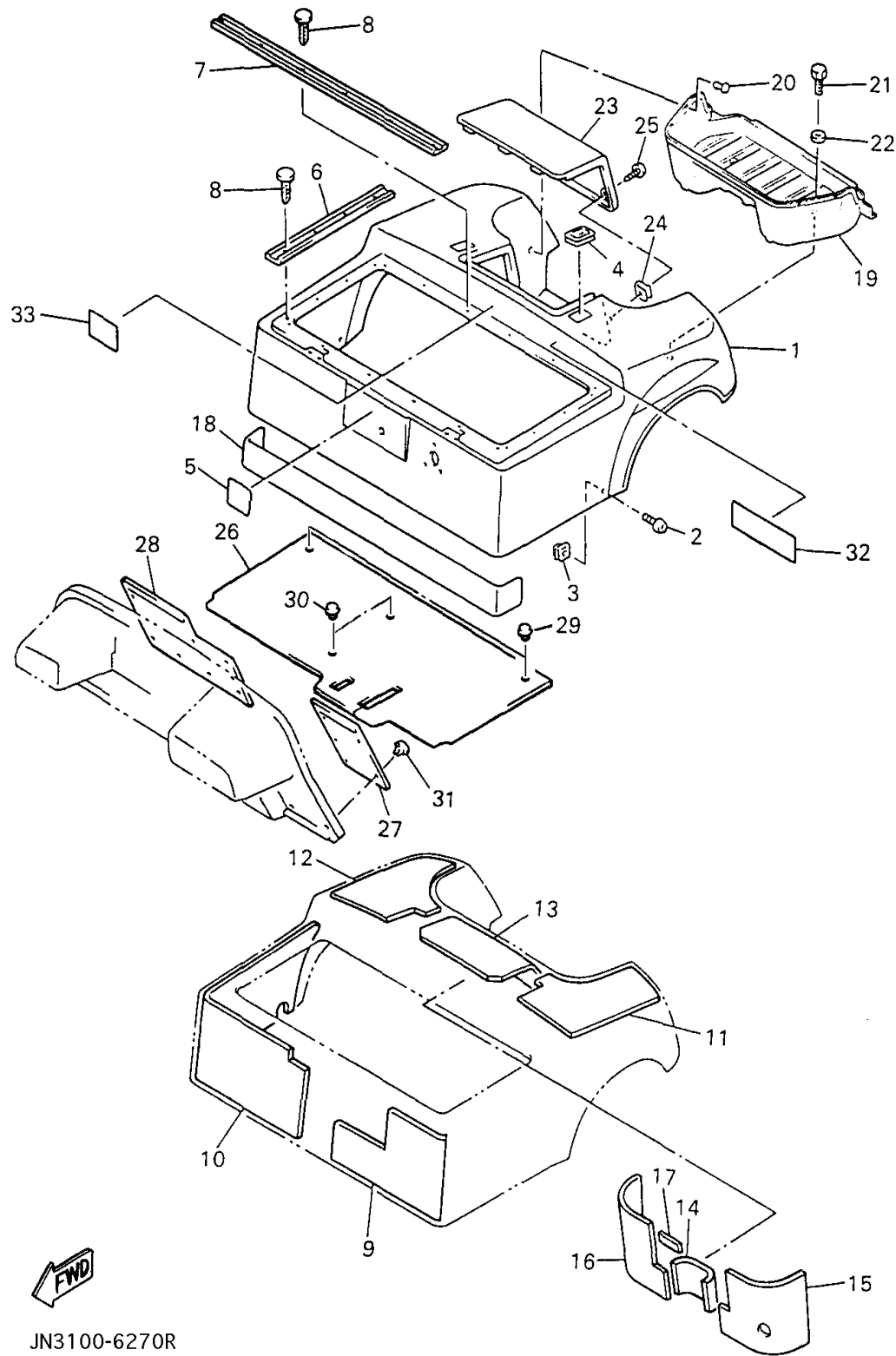


JN3100-5250

G14AM_AP

D1

BODY 2



JN3100-6270R

G14AM_AP

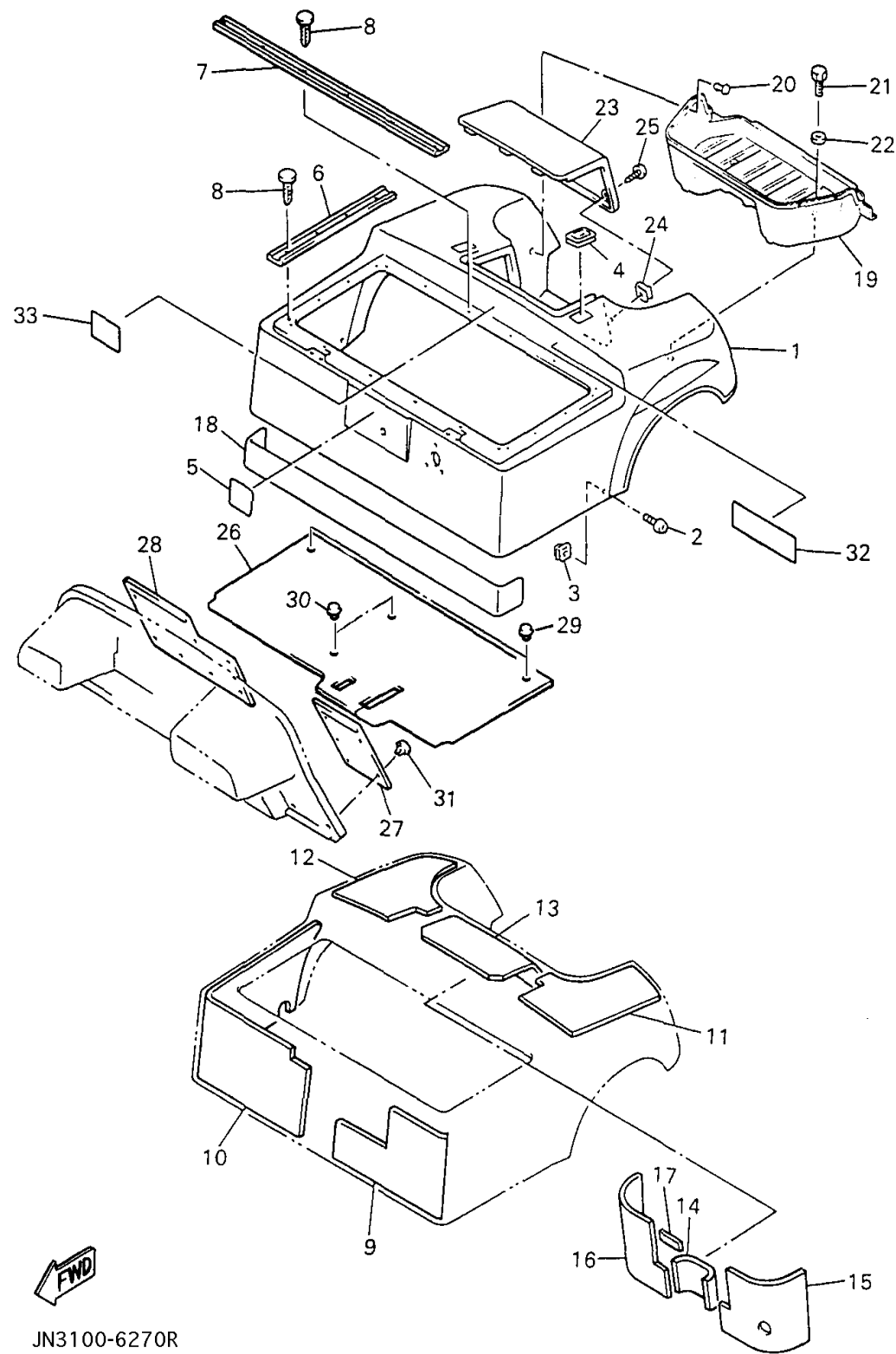
Ref. No.	Part Number	Description	Qty	Remarks
1	JN3-K8142-00-00	PANEL, REAR BODY	1	STD (IVORY) (09E)
	JN3-K8142-10-00	PANEL, REAR BODY	1	UR (RED) (391)
	JN3-K8142-20-00	PANEL, REAR BODY	1	UR (GRAY) (483)
	JN3-K8142-30-00	PANEL, REAR BODY	1	UR (TEAL) (519)
2	90110-06200-00	BOLT, HEXAGON SOCKET HEAD	2	
3	90183-06811-00	NUT, SPRING	2	
4	JN3-K8363-00-00	PROTECTOR	2	
5	JN3-K7741-00-00	INDICATOR	1	
6	JN3-K8425-00-00	SEAL, SEAT	2	
7	JN3-K842A-00-00	SEAL, SEAT	2	
8	90338-05834-00	PLUG	20	
9	JN3-K8251-00-00	PAD, SILENCER 1	1	
10	JN3-K8252-00-00	PAD, SILENCER 2	1	
11	JN3-K8253-00-00	PAD, SILENCER 3	1	
12	JN3-K8254-00-00	PAD, SILENCER 4	1	
13	JN3-K8255-00-00	PAD, SILENCER 5	1	
14	JN3-K8256-00-00	PAD, SILENCER 6	1	
15	JN3-K8258-00-00	PAD, SILENCER 8	1	
16	JN3-K8259-00-00	PAD, SILENCER 9	1	
17	JN3-K825E-00-00	PAD, SILENCER 1	1	
18	JN3-K814N-00-00	PLATE, ORNAMENT	1	AP
19	JF2-K8237-00-00	COVER, REAR FLOOR	1	
20	90269-08069-00	RIVET	7	
21	90119-06823-00	BOLT, HEX. WITH WASHER ..	2	
22	90201-068G7-00	WASHER, PLAIN	2	
23	JN3-K8151-00-00	PANEL, INSPECTION	1	
24	90183-06035-00	NUT, SPRING	2	
25	97707-50012-00	SCREW, TRUSS HEAD TAPPING	2	
26	JF2-K8233-11-00	MAT, MAIN FLOOR 3 (JF2-K8233-10-00)	1	

CONTINUED ON NEXT FRAME ►

CONTENTS

ACCELERATOR	B10
AIR SHROUD FAN	A5
BODY 1	C12, D1
BODY 2	D2-3
BODY FITTING	D4
BRAKE 1	B6-7
BRAKE 2	B8
BRAKE 3	B9
BUMPER	C11
CAMSHAFT VALVE	A4
CARBURETOR	A8
CARRIER	D5-6
CRANKCASE	A10
CRANKSHAFT PISTON	A3
CYLINDER HEAD	A2
ELECTRICAL 1	D10
ELECTRICAL 2	D11-12
ENGINE BRACKET	A11
EXHAUST	A9
FRAME	B1
FRONT SUSPENSION WHEEL	B2-3
FUEL TANK	B5
GOVERNOR	B11
INTAKE	A6-7
OPTIONAL HUB CAPS	E8
OPTIONAL LIGHT KIT	E1
OPTIONAL LIGHT KIT	
STREAMLINE JU0	E2-3
OPTIONAL SUN ROOF JN3	E6
OPTIONAL SUN ROOF JN6	E7
OPTIONAL WINDSHIELD JN3	E4
OPTIONAL WINDSHIELD JN6	E5
PRIMARY SHEAVE	B12
REAR ARM SUSPENSION	A12
REAR AXLE WHEEL-118822	C9
REAR WHEEL JN3-118823-SEAT	C10
SEAT	D7
SECONDARY SHEAVE	C1
SHIFTING LEVER 118823-STARTER GENERATOR	C8
STARTER GENERATOR	D8-9
STEERING	B4
TRANSAXLE 118823-TRANSMISSION	C5-7
TRANSMISSION	
JN3-000101-118822	C2-4
-MODELS IN THIS CATALOG	E9

BODY 2



JN3100-6270R

Ref. No.	Part Number	Description	Qty	Remarks
27	JF2-K8231-10-00	MAT, MAIN FLOOR 1	1	
28	JF2-K8232-10-00	MAT, MAIN FLOOR 2	1	
29	90269-08813-00	RIVET	2	
30	90269-07809-00	RIVET	2	
31	90267-63047-00	RIVET, BLIND	13	
32	JN3-K8297-00-00	PLATE, CAUTION	1	
33	JN3-K8299-00-00	PLATE, CAUTION	1	

CONTENTS

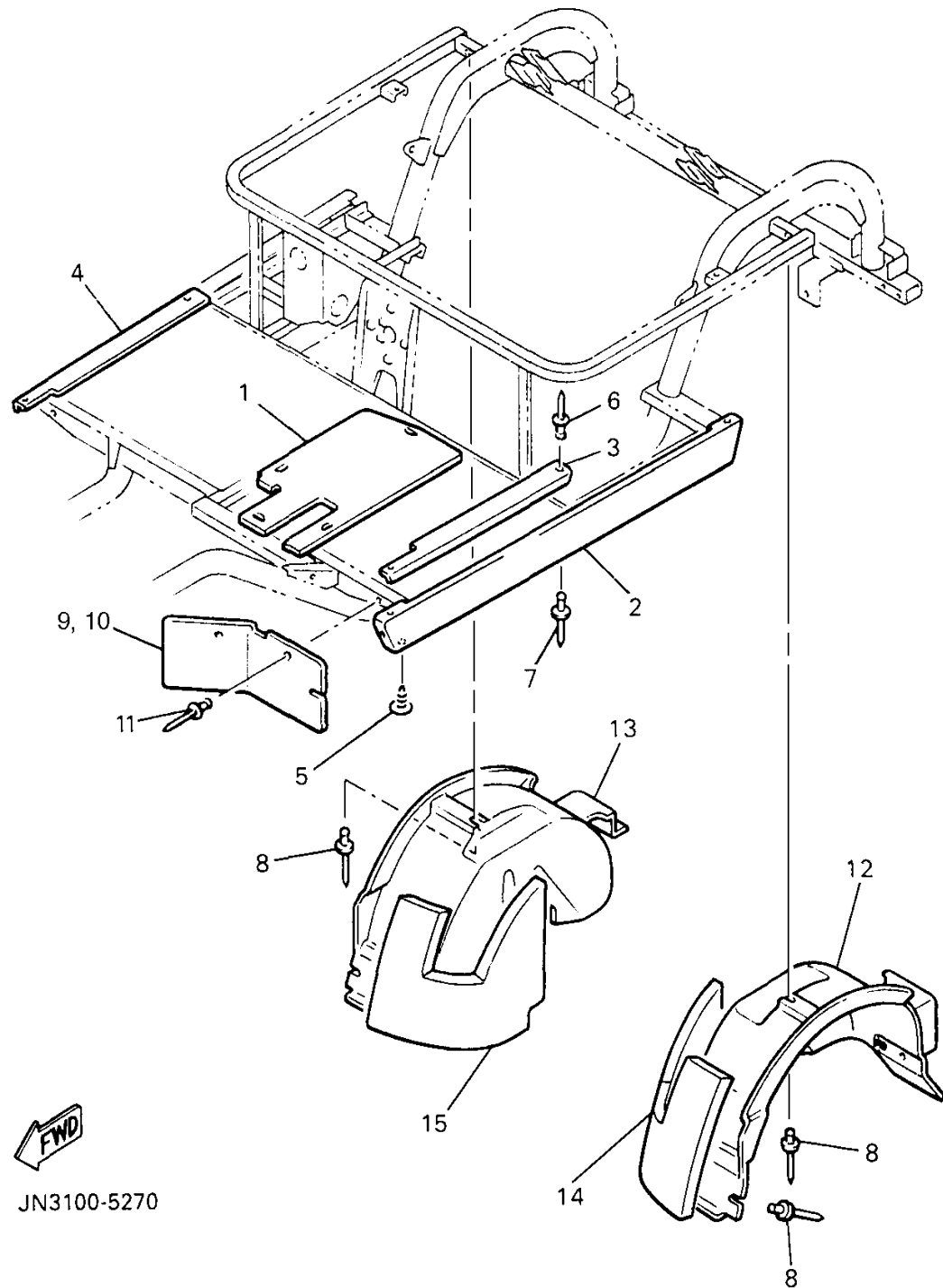
ACCELERATOR	B10
AIR SHROUD FAN	A5
BODY 1	C12 ,D1
BODY 2	D2-3
BODY FITTING	D4
BRAKE 1	B6-7
BRAKE 2	B8
BRAKE 3	B9
BUMPER	C11
CAMSHAFT VALVE	A4
CARBURETOR	A8
CARRIER	D5-6
CRANKCASE	A10
CRANKSHAFT PISTON	A3
CYLINDER HEAD	A2
ELECTRICAL 1	D10
ELECTRICAL 2	D11-12
ENGINE BRACKET	A11
EXHAUST	A9
FRAME	B1
FRONT SUSPENSION WHEEL	B2-3
FUEL TANK	B5
GOVERNOR	B11
INTAKE	A6-7
OPTIONAL HUB CAPS	E8
OPTIONAL LIGHT KIT	E1
OPTIONAL LIGHT KIT	
STREAMLINE JU0	E2-3
OPTIONAL SUN ROOF JN3	E6
OPTIONAL SUN ROOF JN6	E7
OPTIONAL WINDSHIELD JN3	E4
OPTIONAL WINDSHIELD JN6	E5
PRIMARY SHEAVE	B12
REAR ARM SUSPENSION	A12
REAR AXLE WHEEL-118822	C9
REAR WHEEL JN3-118823-	C10
SEAT	D7
SECONDARY SHEAVE	C1
SHIFTING LEVER 118823-	C8
STARTER GENERATOR	D8-9
STEERING	B4
TRANSAXLE 118823-	C5-7
TRANSMISSION	
JN3-000101-118822	C2-4
-MODELS IN THIS CATALOG	E9

BODY FITTING

Ref. No.	Part Number	Description	Qty	Remarks
1	JF2-K8271-00-00	SERVICE LID, PEDAL	1	
2	JF2-K818A-00-00	PROTECTOR, SIDE	2	
3	JF2-K8215-10-00	PLATE, SIDE TRIM	1	
4	JF2-K821F-10-00	PLATE, SIDE TRIM	1	
5	90338-05829-00	PLUG	6	
6	90267-48154-00	RIVET, BLIND	4	
7	90267-48831-00	RIVET, BLIND (90267-48101-00)	4	
8	90267-48086-00	RIVET, BLIND	4	
9	JF2-K8187-00-00	FLAP, FRONT FENDER LEFT	1	
10	JF2-K8189-00-00	FLAP, FRONT FENDER RIGHT	1	
11	90267-48831-00	RIVET, BLIND (90267-48101-00)	4	
12	JF2-K8191-00-00	PANEL, REAR FENDER	1	
13	JF2-K8192-00-00	PANEL, REAR FENDER	1	
14	JN3-K825F-00-00	PAD, SILENCER 2	1	
15	JN3-K825G-00-00	PAD, SILENCER 3	1	

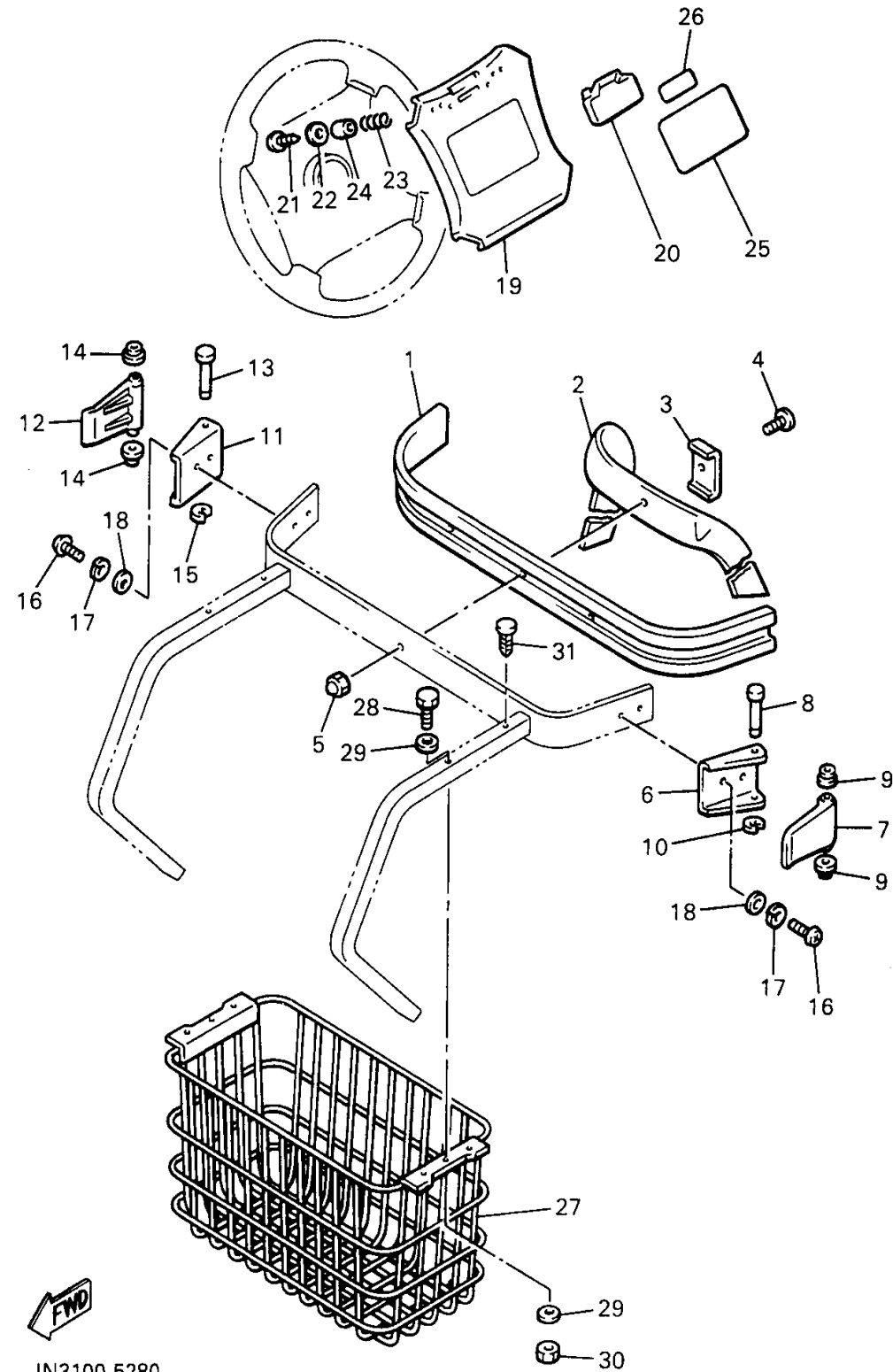
CONTENTS

ACCELERATOR	B10
AIR SHROUD FAN	A5
BODY 1	C12, D1
BODY 2	D2-3
BODY FITTING	D4
BRAKE 1	B6-7
BRAKE 2	B8
BRAKE 3	B9
BUMPER	C11
CAMSHAFT VALVE	A4
CARBURETOR	A8
CARRIER	D5-6
CRANKCASE	A10
CRANKSHAFT PISTON	A3
CYLINDER HEAD	A2
ELECTRICAL 1	D10
ELECTRICAL 2	D11-12
ENGINE BRACKET	A11
EXHAUST	A9
FRAME	B1
FRONT SUSPENSION WHEEL	B2-3
FUEL TANK	B5
GOVERNOR	B11
INTAKE	A6-7
OPTIONAL HUB CAPS	E8
OPTIONAL LIGHT KIT	E1
OPTIONAL LIGHT KIT	
STREAMLINE JU0	E2-3
OPTIONAL SUN ROOF JN3	E6
OPTIONAL SUN ROOF JN6	E7
OPTIONAL WINDSHIELD JN3	E4
OPTIONAL WINDSHIELD JN6	E5
PRIMARY SHEAVE	B12
REAR ARM SUSPENSION	A12
REAR AXLE WHEEL-118822	C9
REAR WHEEL JN3-118823-	C10
SEAT	D7
SECONDARY SHEAVE	C1
SHIFTING LEVER 118823-	C8
STARTER GENERATOR	D8-9
STEERING	B4
TRANSAXLE 118823-	C5-7
TRANSMISSION	
JN3-000101-118822	C2-4
-MODELS IN THIS CATALOG	E9



 JN3100-5270

CARRIER



JN3100-5280

G14AM_AP

Ref. No.	Part Number	Description	Qty	Remarks
1	JF2-K8356-00-00	PAD, BAG SUPPORT	1	
2	JF2-K8355-00-00	BAND	1	
3	J38-78367-00-00	PLATE, ANCHOR	1	
4	98980-06016-00	SCREW, BINDING	1	
5	95380-06800-00	NUT	1	
6	J17-78157-01-00	BASE, LOCK	1	
7	J17-78368-01-00	LEVER, LOCK	1	
8	J17-78369-00-00	PIN, LEVER	1	
9	90386-06108-00	BUSH	2	
10	99080-05600-00	CIRCLIP	1	
11	J17-78157-01-00	BASE, LOCK	1	
12	J17-78368-01-00	LEVER, LOCK	1	
13	J17-78369-00-00	PIN, LEVER	1	
14	90386-06108-00	BUSH	2	
15	99080-05600-00	CIRCLIP	1	
16	98580-06010-00	SCREW, PAN HEAD (92503-06010-00)	4	
17	92995-06100-00	WASHER, SPRING	4	
18	92990-06200-00	WASHER	4	
19	JN3-K8357-00-00	HOLDER	1	
20	J55-K8358-00-00	HOLDER 2	1	
21	97707-40625-00	SCREW, PAN HEAD	2	
22	90201-044H9-00	WASHER, PLAIN	2	
23	90502-10013-00	SPRING, CONICAL	2	
24	90387-046N7-00	COLLAR	2	
25	JN3-K7762-01-00	LABEL, WARNING	1	
26	JN3-K7141-00-00	EMBLEM 1	1	
27	JN3-K8340-00-00	LUGGAGE RACK	1	
28	90111-08803-00	BOLT, HEX. SOCKET	2	
29	90201-08103-00	WASHER, PLAIN	8	

CONTENTS

ACCELERATOR	B10
AIR SHROUD FAN	A5
BODY 1	C12 ,D1
BODY 2	D2-3
BODY FITTING	D4
BRAKE 1	B6-7
BRAKE 2	B8
BRAKE 3	B9
BUMPER	C11
CAMSHAFT VALVE	A4
CARBURETOR	A8
CARRIER	D5-6
CRANKCASE	A10
CRANKSHAFT PISTON	A3
CYLINDER HEAD	A2
ELECTRICAL 1	D10
ELECTRICAL 2	D11-12
ENGINE BRACKET	A11
EXHAUST	A9
FRAME	B1
FRONT SUSPENSION WHEEL	B2-3
FUEL TANK	B5
GOVERNOR	B11
INTAKE	A6-7
OPTIONAL HUB CAPS	E8
OPTIONAL LIGHT KIT	E1
OPTIONAL LIGHT KIT STREAMLINE JU0	E2-3
OPTIONAL SUN ROOF JN3	E6
OPTIONAL SUN ROOF JN6	E7
OPTIONAL WINDSHIELD JN3	E4
OPTIONAL WINDSHIELD JN6	E5
PRIMARY SHEAVE	B12
REAR ARM SUSPENSION	A12
REAR AXLE WHEEL-118822	C9
REAR WHEEL JN3-118823-	C10
SEAT	D7
SECONDARY SHEAVE	C1
SHIFTING LEVER 118823-	C8
STARTER GENERATOR	D8-9
STEERING	B4
TRANSAXLE 118823-	C5-7
TRANSMISSION JN3-000101-118822	C2-4
-MODELS IN THIS CATALOG	E9

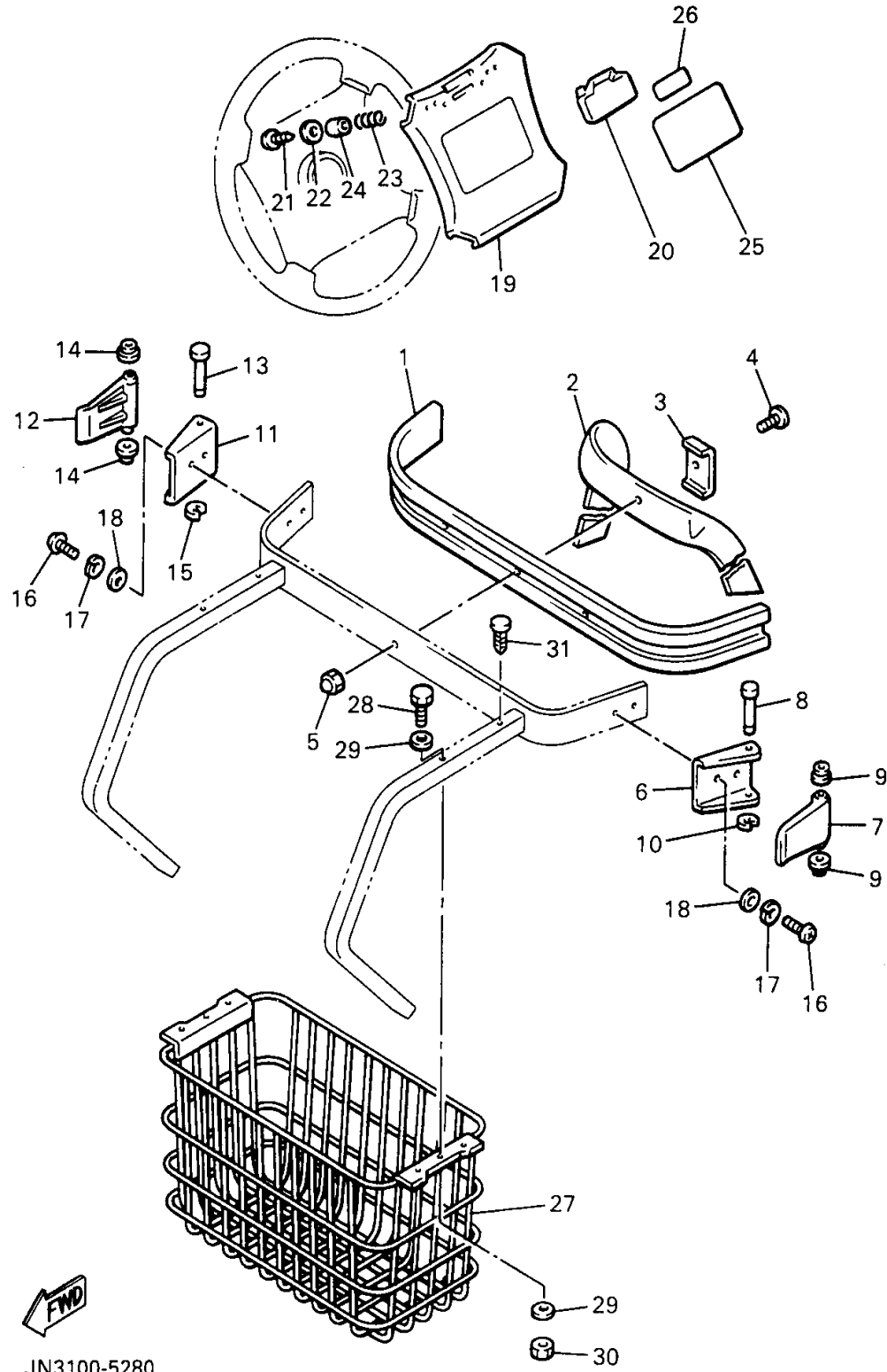
CONTINUED ON NEXT FRAME >

CARRIER

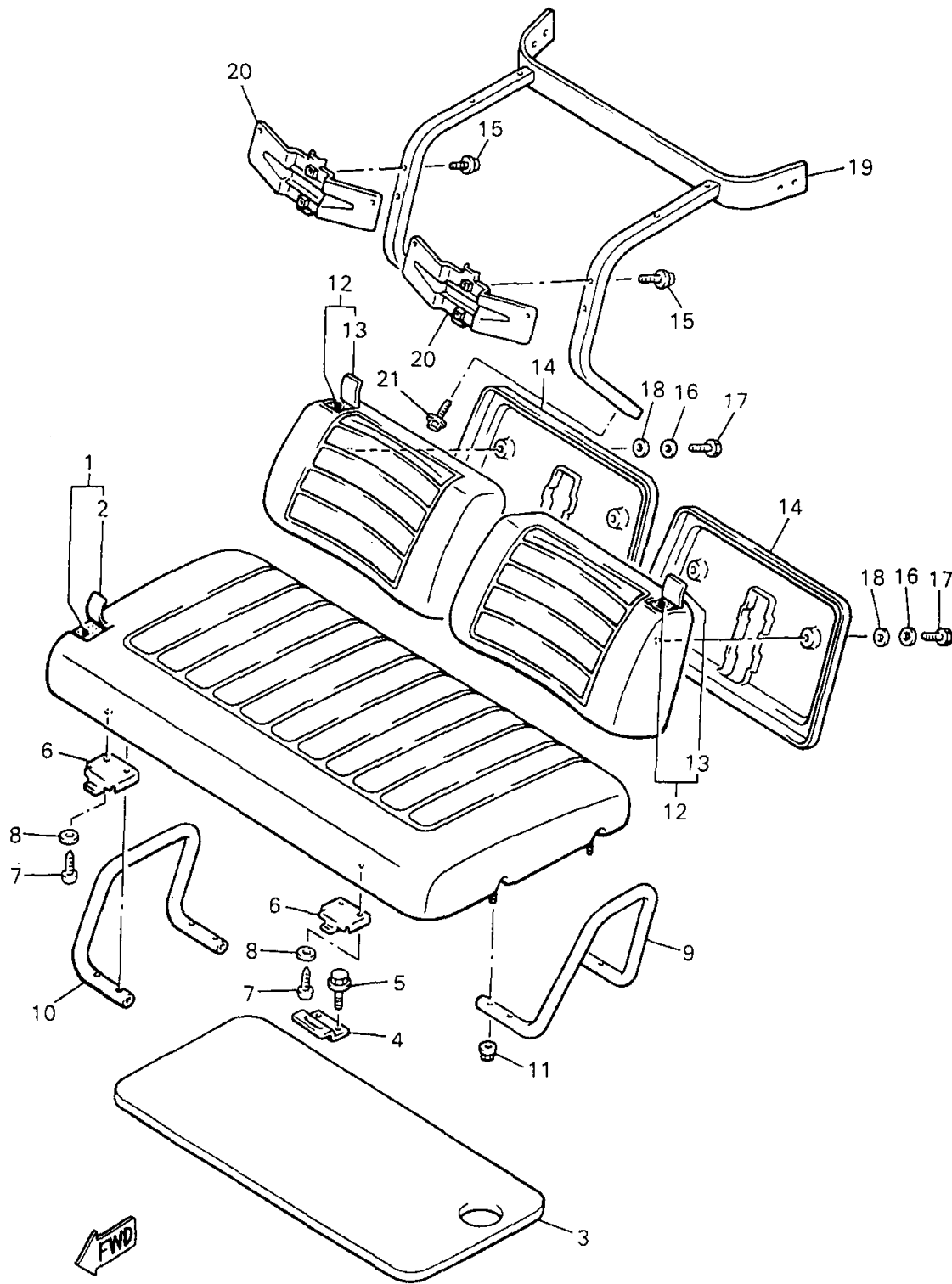
Ref. No.	Part Number	Description	Qty	Remarks
30	95680-08100-00	NUT, U	2	
31	90338-09828-00	PLUG	2	

CONTENTS

ACCELERATOR	B10
AIR SHROUD FAN	A5
BODY 1	C12 ,D1
BODY 2	D2-3
BODY FITTING	D4
BRAKE 1	B6-7
BRAKE 2	B8
BRAKE 3	B9
BUMPER	C11
CAMSHAFT VALVE	A4
CARBURETOR	A8
CARRIER	D5-6
CRANKCASE	A10
CRANKSHAFT PISTON	A3
CYLINDER HEAD	A2
ELECTRICAL 1	D10
ELECTRICAL 2	D11-12
ENGINE BRACKET	A11
EXHAUST	A9
FRAME	B1
FRONT SUSPENSION WHEEL	B2-3
FUEL TANK	B5
GOVERNOR	B11
INTAKE	A6-7
OPTIONAL HUB CAPS	E8
OPTIONAL LIGHT KIT	E1
OPTIONAL LIGHT KIT	
OPTIONAL LIGHT KIT	
STREAMLINE JU0	E2-3
OPTIONAL SUN ROOF JN3	E6
OPTIONAL SUN ROOF JN6	E7
OPTIONAL WINDSHIELD JN3	E4
OPTIONAL WINDSHIELD JN6	E5
PRIMARY SHEAVE	B12
REAR ARM SUSPENSION	A12
REAR AXLE WHEEL-118822	C9
REAR WHEEL JN3-118823-	C10
SEAT	D7
SECONDARY SHEAVE	C1
SHIFTING LEVER 118823-	C8
STARTER GENERATOR	D8-9
STEERING	B4
TRANSAXLE 118823-	C5-7
TRANSMISSION	
JN3-000101-118822	C2-4
-MODELS IN THIS CATALOG	E9



SEAT



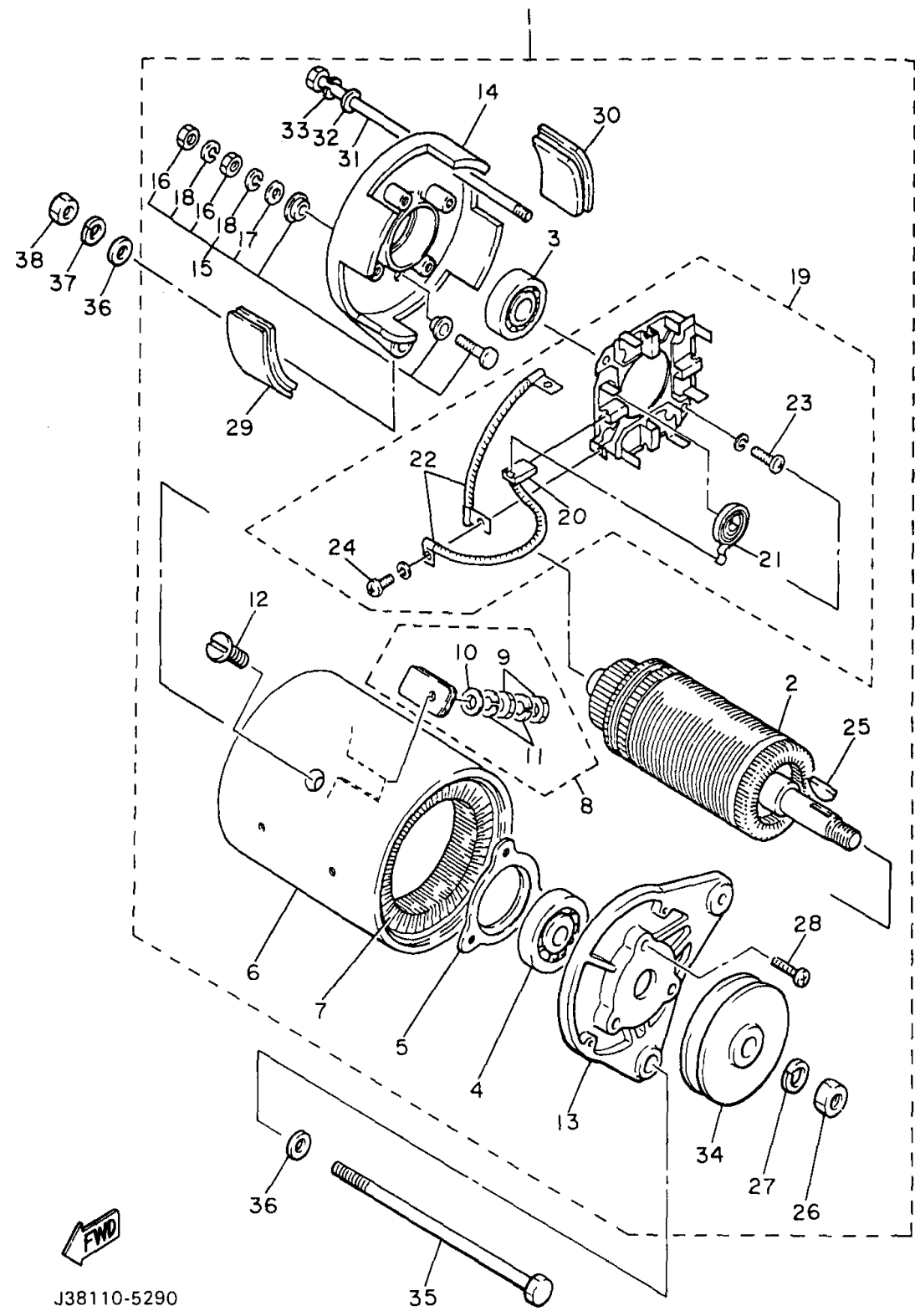
JN3100-6300

Ref. No.	Part Number	Description	Qty	Remarks
1	JN3-K8401-00-00	SEAT SUB-ASSEMBLY, CUSHION	1	
2	JN3-K8404-09-00	. COVER, SEAT	1	
3	JN3-K825A-00-00	PAD, SILENCER 0	1	
4	JF2-K8427-00-00	HINGE, SEAT FEMALE	2	
5	90105-06903-00	BOLT, WASHER BASED	4	
6	JN3-K8426-00-00	HINGE, SEAT MALE	2	
7	97780-50125-00	SCREW, TAPPING	4	
8	90204-05804-00	WASHER, SPRING	4	
9	JN3-K8361-00-00	ARM REST	1	
10	JN3-K8362-00-00	ARM REST 2	1	
11	95617-08200-00	NUT, U-FLANGE (95607-08200-00)	8	
12	JN3-K8402-00-00	BACK, SEAT SUB	2	
13	JN3-K841G-09-00	. COVER, SEAT BACK 2	1	
14	JN3-K8413-00-00	COVER, SEAT BACK	2	
15	90119-08820-00	BOLT, HEX WITH WASHER ...	4	
16	90201-068G0-00	WASHER, PLAIN	4	
17	95880-06025-00	BOLT, FLANGE	4	
18	90201-068G6-00	WASHER, PLAIN	4	
19	JN3-K8423-00-00	SUPPORT, SEAT BACK	1	
20	JN3-K842H-00-00	RETAINER, SEAT	2	
21	95817-08045-00	BOLT, FLANGE	4	

CONTENTS

ACCELERATOR	B10
AIR SHROUD FAN	A5
BODY 1	C12 ,D1
BODY 2	D2-3
BODY FITTING	D4
BRAKE 1	B6-7
BRAKE 2	B8
BRAKE 3	B9
BUMPER	C11
CAMSHAFT VALVE	A4
CARBURETOR	A8
CARRIER	D5-6
CRANKCASE	A10
CRANKSHAFT PISTON	A3
CYLINDER HEAD	A2
ELECTRICAL 1	D10
ELECTRICAL 2	D11-12
ENGINE BRACKET	A11
EXHAUST	A9
FRAME	B1
FRONT SUSPENSION WHEEL	B2-3
FUEL TANK	B5
GOVERNOR	B11
INTAKE	A6-7
OPTIONAL HUB CAPS	E8
OPTIONAL LIGHT KIT	E1
OPTIONAL LIGHT KIT	
STREAMLINE JU0	E2-3
OPTIONAL SUN ROOF JN3	E6
OPTIONAL SUN ROOF JN6	E7
OPTIONAL WINDSHIELD JN3	E4
OPTIONAL WINDSHIELD JN6	E5
PRIMARY SHEAVE	B12
REAR ARM SUSPENSION	A12
REAR AXLE WHEEL-118822	C9
REAR WHEEL JN3-118823-	C10
SEAT	D7
SECONDARY SHEAVE	C1
SHIFTING LEVER 118823-	C8
STARTER GENERATOR	D8-9
STEERING	B4
TRANSAXLE 118823-	C5-7
TRANSMISSION	
JN3-000101-118822	C2-4
-MODELS IN THIS CATALOG	E9

STARTER GENERATOR



J38110-5290

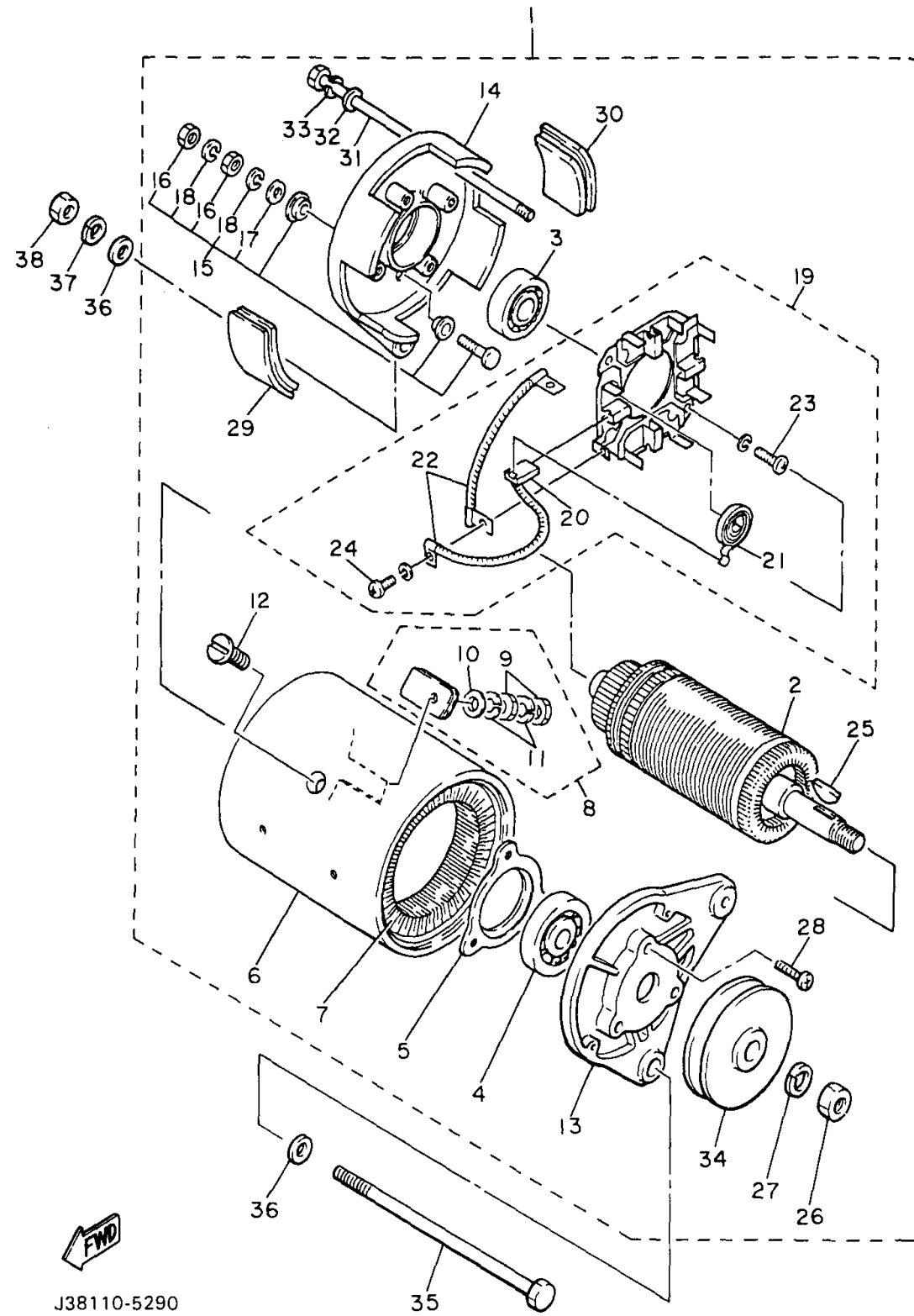
Ref. No.	Part Number	Description	Qty	Remarks
1	J38-81100-11-00	STARTER GENERATOR ASSEMBLY (JF2-H1100-00-00)	1	
2	J10-81150-10-00	. ARMATURE ASSEMBLY	1	
3	J10-81157-10-00	. BEARING 1 (6202 SD)	1	
4	J10-81158-10-00	. BEARING 2 (6203 SD)	1	
5	J10-81159-10-00	. HOLDER, BEARING	1	
6	J38-81110-10-00	. STATOR ASSEMBLY	1	
7	J38-81160-10-00	. FIELD COIL ASSEMBLY	1	
8	J10-81148-10-00	. SCREW	2	
9	95380-06600-00	.. NUT	4	
10	92990-06600-00	.. WASHER, PLATE	2	
11	92995-06100-00	.. WASHER, SPRING	4	
12	J10-81146-10-00	. SCREW	4	
13	J38-81165-10-00	. BRACKET, STARTER GENERATOR 1	1	
14	J10-81166-10-00	. BRACKET, STARTER GENERATOR 2	1	
15	J10-81147-10-00	. SCREW	2	
16	95380-06600-00	.. NUT	4	
17	92990-06600-00	.. WASHER, PLATE	2	
18	92995-06100-00	.. WASHER, SPRING	4	
19	JF2-81119-00-00	. BRUSH HOLDER ASSEMBLY	1	
20	JF2-81111-00-00	.. BRUSH	4	
21	J38-81113-10-00	.. SPRING, BRUSH	4	
22	J10-81115-10-00	.. WIRE, LEAD	2	
23	98507-05016-00	.. SCREW, PAN HEAD	2	
24	98580-04010-00	.. SCREW, PAN HEAD	4	
25	J38-81163-10-00	. KEY	1	
26	95317-14600-00	. NUT	1	
27	92901-14100-00	. WASHER, SPRING	1	
28	98507-05018-00	. SCREW, PAN HEAD	3	

CONTENTS

ACCELERATOR	B10
AIR SHROUD FAN	A5
BODY 1	C12, D1
BODY 2	D2-3
BODY FITTING	D4
BRAKE 1	B6-7
BRAKE 2	B8
BRAKE 3	B9
BUMPER	C11
CAMSHAFT VALVE	A4
CARBURETOR	A8
CARRIER	D5-6
CRANKCASE	A10
CRANKSHAFT PISTON	A3
CYLINDER HEAD	A2
ELECTRICAL 1	D10
ELECTRICAL 2	D11-12
ENGINE BRACKET	A11
EXHAUST	A9
FRAME	B1
FRONT SUSPENSION WHEEL	B2-3
FUEL TANK	B5
GOVERNOR	B11
INTAKE	A6-7
OPTIONAL HUB CAPS	E8
OPTIONAL LIGHT KIT	E1
OPTIONAL LIGHT KIT STREAMLINE JU0	E2-3
OPTIONAL SUN ROOF JN3	E6
OPTIONAL SUN ROOF JN6	E7
OPTIONAL WINDSHIELD JN3	E4
OPTIONAL WINDSHIELD JN6	E5
PRIMARY SHEAVE	B12
REAR ARM SUSPENSION	A12
REAR AXLE WHEEL-118822	C9
REAR WHEEL JN3-118823-SEAT	C10
SEAT	D7
SECONDARY SHEAVE	C1
SHIFTING LEVER 118823-	C8
STARTER GENERATOR	D8-9
STEERING	B4
TRANSAXLE 118823-	C5-7
TRANSMISSION	
JN3-000101-118822	C2-4
-MODELS IN THIS CATALOG	E9

CONTINUED ON NEXT FRAME ➤

STARTER GENERATOR



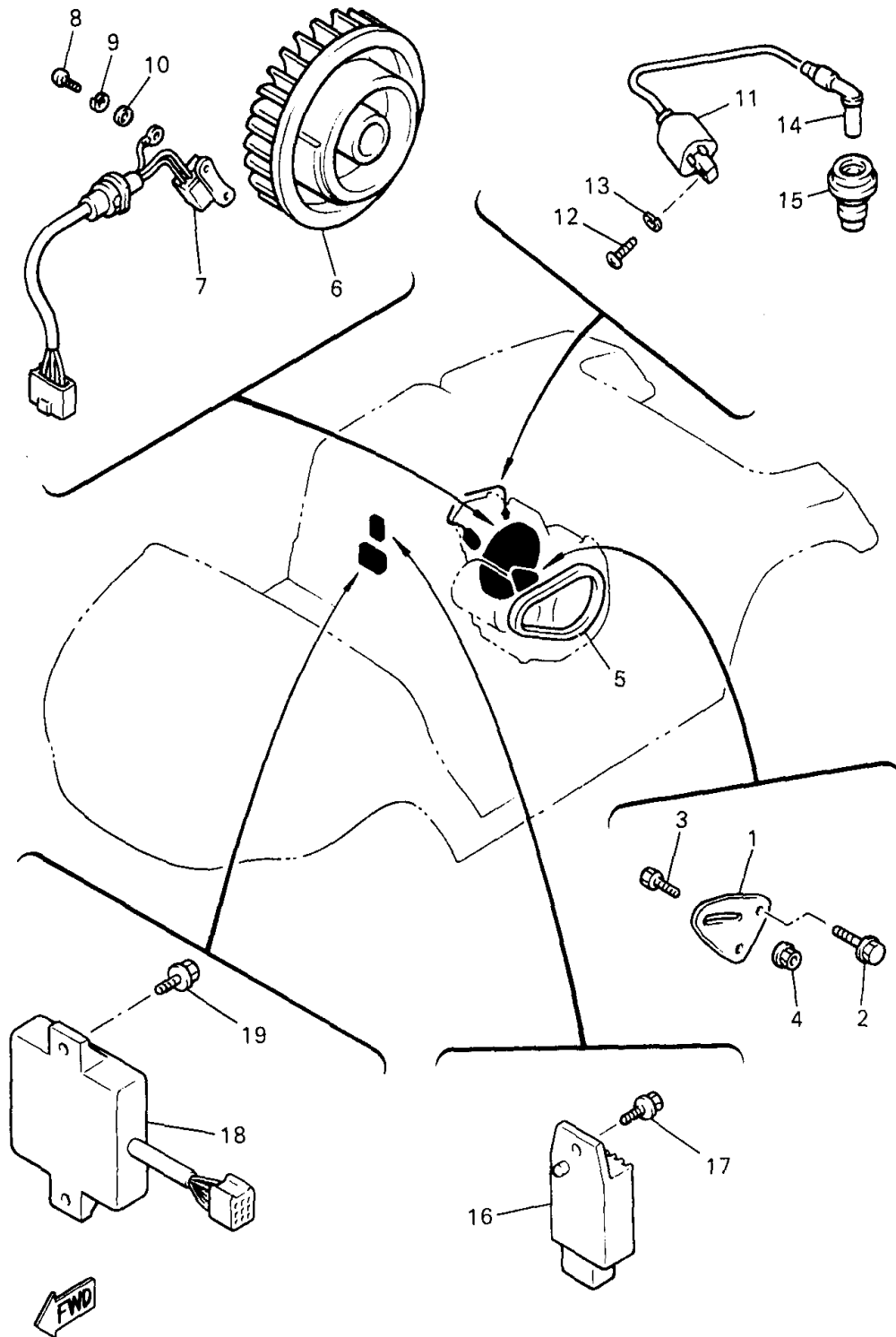
J38110-5290

Ref. No.	Part Number	Description	Qty	Remarks
29	J10-81129-10-00	. COVER, BRUSH	3	
30	J10-81129-10-00	. COVER, BRUSH	1	
31	J10-81145-10-00	. SCREW	2	
32	92990-06600-00	. WASHER, PLATE	2	
33	92995-06100-00	. WASHER, SPRING	2	
34	J38-81161-10-00	. PULLEY	1	
35	90101-12545-00	BOLT	1	
36	92907-12600-00	WASHER	2	
37	92907-12100-00	WASHER	1	
38	95307-12600-00	NUT	1	

CONTENTS

ACCELERATOR	B10
AIR SHROUD FAN	A5
BODY 1	C12 ,D1
BODY 2	D2-3
BODY FITTING	D4
BRAKE 1	B6-7
BRAKE 2	B8
BRAKE 3	B9
BUMPER	C11
CAMSHAFT VALVE	A4
CARBURETOR	A8
CARRIER	D5-6
CRANKCASE	A10
CRANKSHAFT PISTON	A3
CYLINDER HEAD	A2
ELECTRICAL 1	D10
ELECTRICAL 2	D11-12
ENGINE BRACKET	A11
EXHAUST	A9
FRAME	B1
FRONT SUSPENSION WHEEL	B2-3
FUEL TANK	B5
GOVERNOR	B11
INTAKE	A6-7
OPTIONAL HUB CAPS	E8
OPTIONAL LIGHT KIT	E1
OPTIONAL LIGHT KIT	
STREAMLINE JU0	E2-3
OPTIONAL SUN ROOF JN3	E6
OPTIONAL SUN ROOF JN6	E7
OPTIONAL WINDSHIELD JN3	E4
OPTIONAL WINDSHIELD JN6	E5
PRIMARY SHEAVE	B12
REAR ARM SUSPENSION	A12
REAR AXLE WHEEL-118822	C9
REAR WHEEL JN3-118823-	C10
SEAT	D7
SECONDARY SHEAVE	C1
SHIFTING LEVER 118823-	C8
STARTER GENERATOR	D8-9
STEERING	B4
TRANSAXLE 118823-	C5-7
TRANSMISSION	
JN3-000101-118822	C2-4
-MODELS IN THIS CATALOG	E9

ELECTRICAL 1



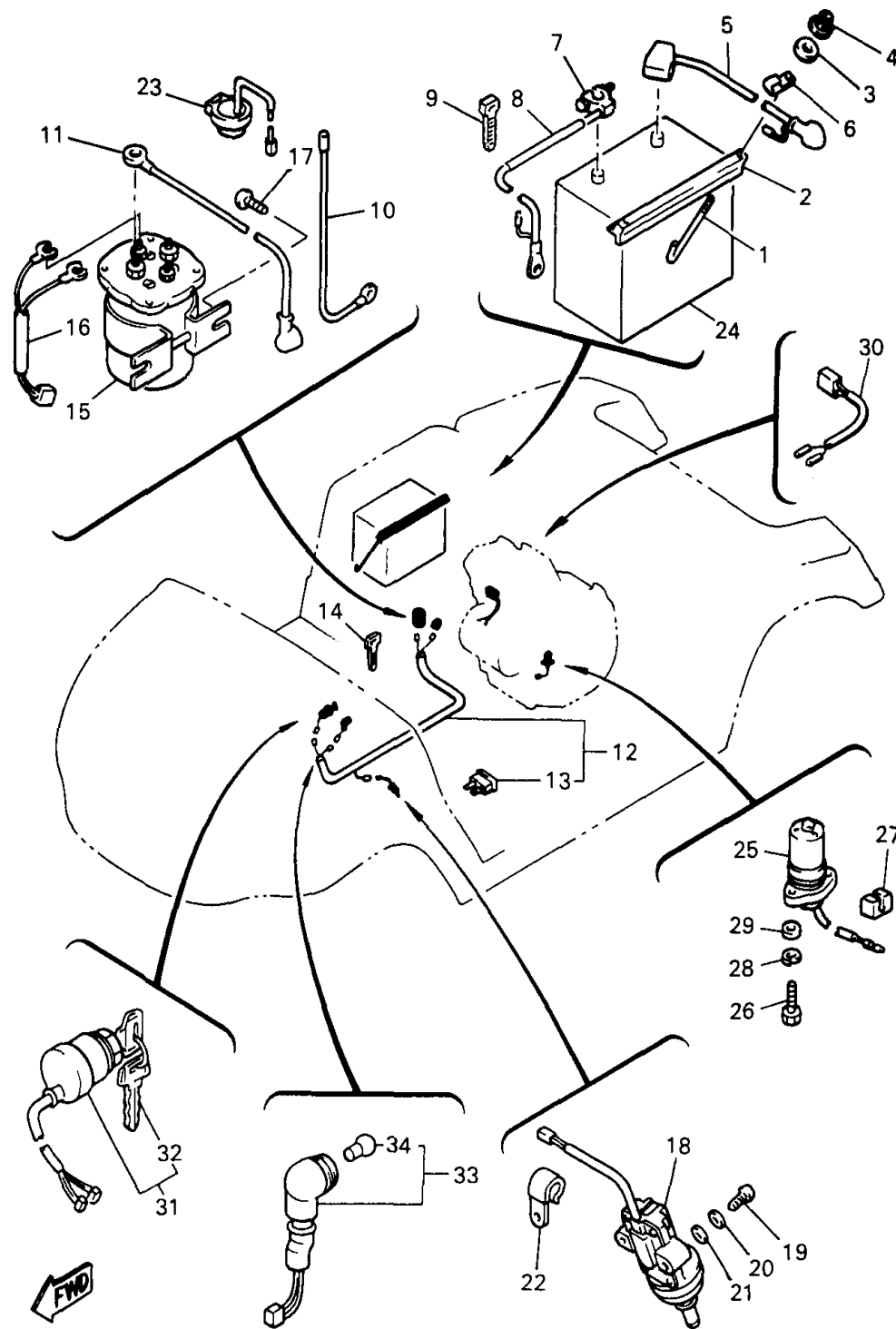
Ref. No.	Part Number	Description	Qty	Remarks
1	J38-81170-00-00	TENSIONER ASSEMBLY	1	
2	95817-08025-00	BOLT, FLANGE	2	
3	90109-087A5-00	BOLT	1	
4	95707-08600-00	NUT, FLANGE	1	
5	J55-H1173-00-00	BELT	1	
6	JF2-81350-00-00	ROTOR ASSEMBLY	1	
7	JF2-85580-00-00	COIL, PULSER	1	
8	98507-05016-00	SCREW, PAN HEAD	2	
9	92907-05100-00	WASHER, SPRING	2	
10	92907-05600-00	WASHER, PLATE	2	
11	JF2-82310-00-00	IGNITION COIL ASSEMBLY ...	1	
12	98507-05020-00	SCREW, PAN HEAD	2	
13	92907-05100-00	WASHER, SPRING	2	
14	8K1-82370-20-00	PLUG CAP ASSEMBLY (WITH RESISTOR)	1	
15	J38-82372-00-00	SEAL, PLUG CAP	1	
16	JF2-81910-01-00	VOLTAGE REGULATOR ASSY	1	
17	95807-06016-00	BOLT, FLANGE	1	
18	JN3-82305-00-00	IGNITOR UNIT ASSEMBLY ...	1	
19	95817-06020-00	BOLT, FLANGE	2	

CONTENTS

ACCELERATOR	B10
AIR SHROUD FAN	A5
BODY 1	C12 ,D1
BODY 2	D2-3
BODY FITTING	D4
BRAKE 1	B6-7
BRAKE 2	B8
BRAKE 3	B9
BUMPER	C11
CAMSHAFT VALVE	A4
CARBURETOR	A8
CARRIER	D5-6
CRANKCASE	A10
CRANKSHAFT PISTON	A3
CYLINDER HEAD	A2
ELECTRICAL 1	D10
ELECTRICAL 2	D11-12
ENGINE BRACKET	A11
EXHAUST	A9
FRAME	B1
FRONT SUSPENSION WHEEL	B2-3
FUEL TANK	B5
GOVERNOR	B11
INTAKE	A6-7
OPTIONAL HUB CAPS	E8
OPTIONAL LIGHT KIT	E1
OPTIONAL LIGHT KIT	
STREAMLINE JU0	E2-3
OPTIONAL SUN ROOF JN3	E6
OPTIONAL SUN ROOF JN6	E7
OPTIONAL WINDSHIELD JN3	E4
OPTIONAL WINDSHIELD JN6	E5
PRIMARY SHEAVE	B12
REAR ARM SUSPENSION	A12
REAR AXLE WHEEL-118822	C9
REAR WHEEL JN3-118823-	C10
SEAT	D7
SECONDARY SHEAVE	C1
SHIFTING LEVER 118823-	C8
STARTER GENERATOR	D8-9
STEERING	B4
TRANSAXLE 118823-	C5-7
TRANSMISSION	
JN3-000101-118822	C2-4
-MODELS IN THIS CATALOG	E9

JN3100-5310

ELECTRICAL 2



JN3300-5320

Ref. No.	Part Number	Description	Qty	Remarks
1	JN3-H2133-00-00	SCREW, FITTING	2	
2	J55-H2136-00-00	PLATE, BATTERY	1	
3	92907-06200-00	WASHER	2	
4	95707-06500-00	NUT, FLANGE	2	
5	JF2-H2115-11-00	WIRE, PLUS LEAD	1	
6	90461-08031-00	CLAMP	1	
7	JF2-H2116-02-00	WIRE, MINUS LEAD	1	
8	JF2-82139-00-00	TUBE	1	
9	90464-13080-00	CLAMP	1	
10	JG5-H232Y-00-00	WIRE, EARTH LEAD	1	
11	JF2-H2117-02-00	WIRE, LEAD	1	
12	JN3-82590-00-00	WIRE HARNESS ASSEMBLY	1	
13	42X-82151-00-00	FUSE	2	
14	90464-23041-00	CLAMP	1	
15	JF2-H1950-00-00	RELAY ASSEMBLY	1	
16	JF2-82105-00-00	WIRE HARNESS	1	
17	90163-06005-00	SCREW, HEX T	2	
18	JF7-82817-20-00	SWITCH, ACCELERATOR STOP	1	
19	98507-05025-00	SCREW, PAN HEAD	2	
20	92907-05100-00	WASHER, SPRING	2	
21	92907-05600-00	WASHER, PLATE	2	
22	90465-08028-00	CLAMP	1	
23	JN3-83383-00-00	BUZZER	1	
24	JG5-H2110-01-00	BATTERY (GRP 24, 12V, 400CCA)	1	OBTAIN LOCALLY
25	JH2-85720-01-00	OIL LEVEL GAUGE ASSEMBLY	1	
26	97080-06020-00	BOLT	2	
27	J38-82598-00-00	GROMMET	1	
28	92995-06100-00	WASHER, SPRING	2	
29	92990-06600-00	WASHER, PLATE	2	

CONTENTS

ACCELERATOR	B10
AIR SHROUD FAN	A5
BODY 1	C12 ,D1
BODY 2	D2-3
BODY FITTING	D4
BRAKE 1	B6-7
BRAKE 2	B8
BRAKE 3	B9
BUMPER	C11
CAMSHAFT VALVE	A4
CARBURETOR	A8
CARRIER	D5-6
CRANKCASE	A10
CRANKSHAFT PISTON	A3
CYLINDER HEAD	A2
ELECTRICAL 1	D10
ELECTRICAL 2	D11-12
ENGINE BRACKET	A11
EXHAUST	A9
FRAME	B1
FRONT SUSPENSION WHEEL	B2-3
FUEL TANK	B5
GOVERNOR	B11
INTAKE	A6-7
OPTIONAL HUB CAPS	E8
OPTIONAL LIGHT KIT	E1
OPTIONAL LIGHT KIT STREAMLINE JU0	E2-3
OPTIONAL SUN ROOF JN3	E6
OPTIONAL SUN ROOF JN6	E7
OPTIONAL WINDSHIELD JN3	E4
OPTIONAL WINDSHIELD JN6	E5
PRIMARY SHEAVE	B12
REAR ARM SUSPENSION	A12
REAR AXLE WHEEL-118822	C9
REAR WHEEL JN3-118823- SEAT	C10
SEAT	D7
SECONDARY SHEAVE	C1
SHIFTING LEVER 118823- STARTER GENERATOR	C8
STARTER GENERATOR	D8-9
STEERING	B4
TRANSAXLE 118823- TRANSMISSION	C5-7
TRANSMISSION	C2-4
JN3-000101-118822 ~MODELS IN THIS CATALOG	E9

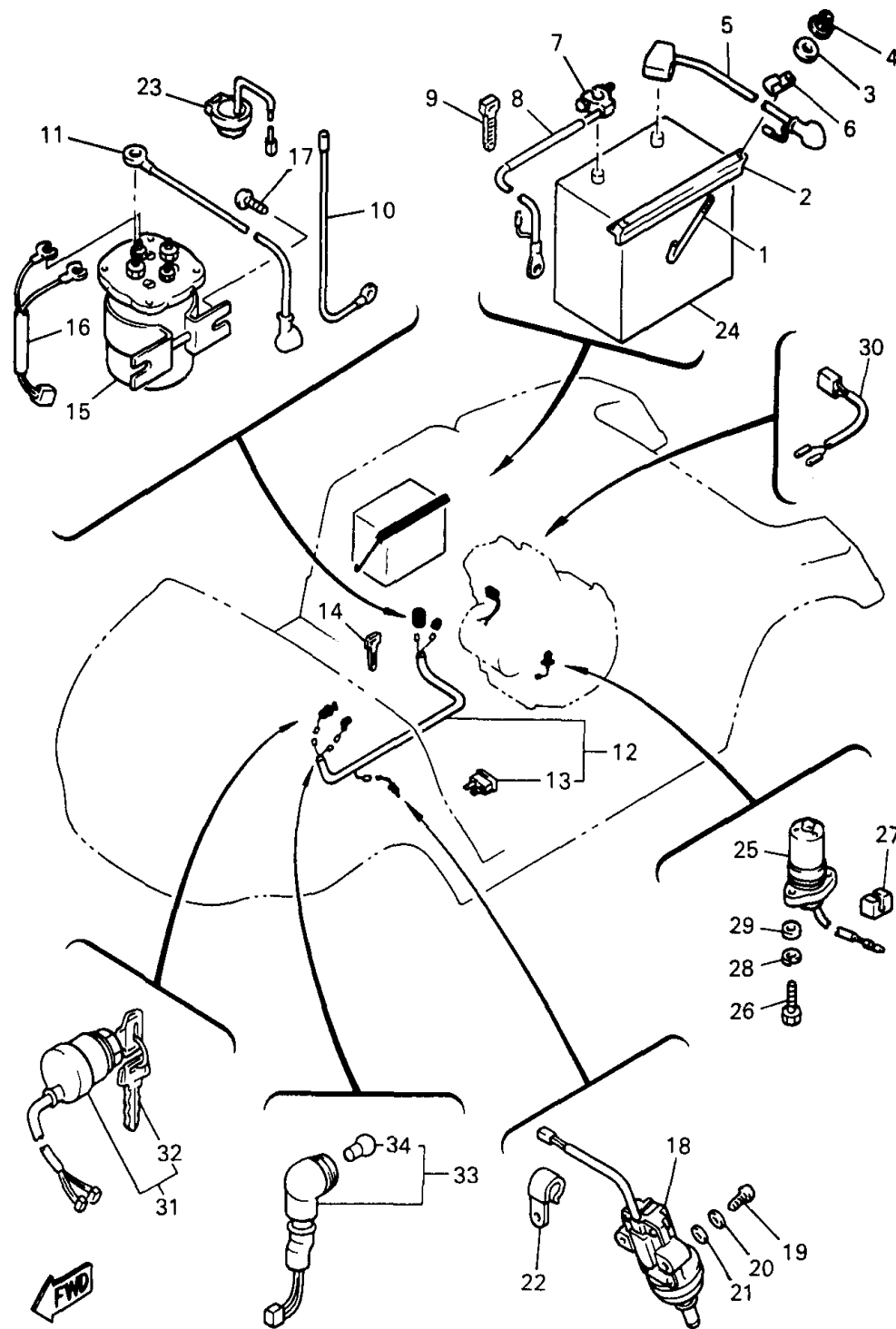
CONTINUED ON NEXT FRAME ►

ELECTRICAL 2

Ref. No.	Part Number	Description	Qty	Remarks
30	JF2-82318-00-00	WIRE, SUB-LEAD	1	
31	JN3-82510-00-00	MAIN SWITCH ASSEMBLY ...	1	
32	J44-82511-00-YY	. KEY, MAIN SWITCH (J44-82511-00-00)	1	
33	JF2-83530-00-00	PILOT LIGHT ASSEMBLY	1	
34	123-83516-21-XX	. BULB (12V-3.4W)	1	

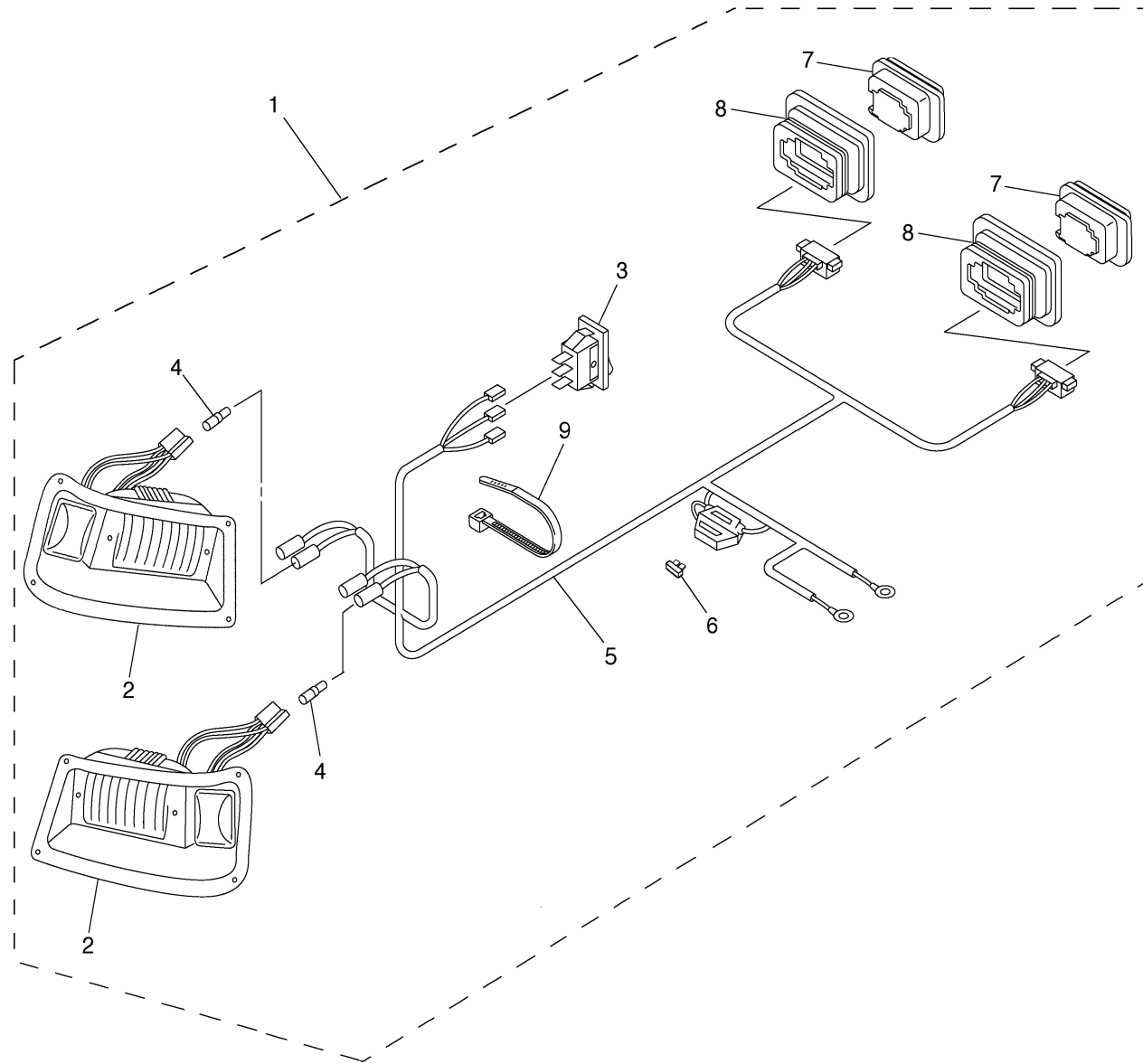
CONTENTS

ACCELERATOR	B10
AIR SHROUD FAN	A5
BODY 1	C12 ,D1
BODY 2	D2-3
BODY FITTING	D4
BRAKE 1	B6-7
BRAKE 2	B8
BRAKE 3	B9
BUMPER	C11
CAMSHAFT VALVE	A4
CARBURETOR	A8
CARRIER	D5-6
CRANKCASE	A10
CRANKSHAFT PISTON	A3
CYLINDER HEAD	A2
ELECTRICAL 1	D10
ELECTRICAL 2	D11-12
ENGINE BRACKET	A11
EXHAUST	A9
FRAME	B1
FRONT SUSPENSION WHEEL	B2-3
FUEL TANK	B5
GOVERNOR	B11
INTAKE	A6-7
OPTIONAL HUB CAPS	E8
OPTIONAL LIGHT KIT	E1
OPTIONAL LIGHT KIT	
OPTIONAL LIGHT KIT	
STREAMLINE JU0	E2-3
OPTIONAL SUN ROOF JN3	E6
OPTIONAL SUN ROOF JN6	E7
OPTIONAL WINDSHIELD JN3	E4
OPTIONAL WINDSHIELD JN6	E5
PRIMARY SHEAVE	B12
REAR ARM SUSPENSION	A12
REAR AXLE WHEEL-118822	C9
REAR WHEEL JN3-118823-	C10
SEAT	D7
SECONDARY SHEAVE	C1
SHIFTING LEVER 118823-	C8
STARTER GENERATOR	D8-9
STEERING	B4
TRANSAXLE 118823-	C5-7
TRANSMISSION	
JN3-000101-118822	C2-4
-MODELS IN THIS CATALOG	E9



JN3300-5320

OPTIONAL LIGHT KIT



Ref. No.	Part Number	Description	Qty	Remarks
1	JN6-H430A-20-00	HEADLIGHT UNIT ASSEMBLY .	1	
2	JN3-H4303-20-00	. HEADLIGHT UNIT ASSEMBLY	1	SOLD AS R&L SET
3	JN3-H3976-20-00	. SWITCH, HANDLE 1	1	
4	9E212-10401-00	. TERMINAL	2	
5	JN3-H4159-00-00	. CORD, HEADLIGHT	1	
6	42X-82151-00-00	. FUSE	1	
7	JN3-H4700-00-00	. TAILLIGHT ASSY	2	
8	JN3-H4718-00-00	. GROMMET	2	
9	GCA-JU012-51-00	. CLAMP	20	

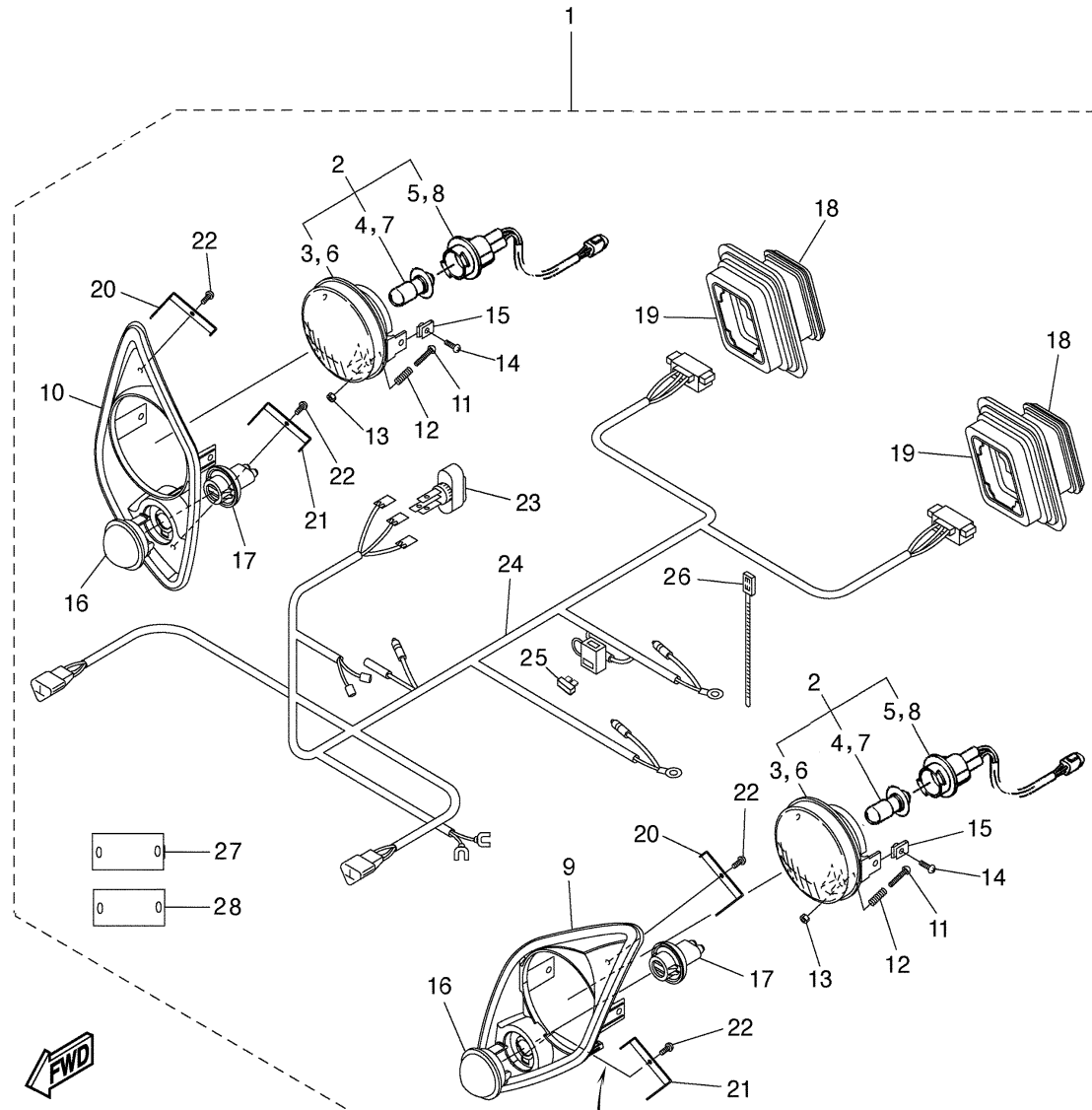
CONTENTS

ACCELERATOR	B10
AIR SHROUD FAN	A5
BODY 1	C12 ,D1
BODY 2	D2-3
BODY FITTING	D4
BRAKE 1	B6-7
BRAKE 2	B8
BRAKE 3	B9
BUMPER	C11
CAMSHAFT VALVE	A4
CARBURETOR	A8
CARRIER	D5-6
CRANKCASE	A10
CRANKSHAFT PISTON	A3
CYLINDER HEAD	A2
ELECTRICAL 1	D10
ELECTRICAL 2	D11-12
ENGINE BRACKET	A11
EXHAUST	A9
FRAME	B1
FRONT SUSPENSION WHEEL	B2-3
FUEL TANK	B5
GOVERNOR	B11
INTAKE	A6-7
OPTIONAL HUB CAPS	E8
OPTIONAL LIGHT KIT	E1
OPTIONAL LIGHT KIT	
STREAMLINE JU0	E2-3
OPTIONAL SUN ROOF JN3	E6
OPTIONAL SUN ROOF JN6	E7
OPTIONAL WINDSHIELD JN3	E4
OPTIONAL WINDSHIELD JN6	E5
PRIMARY SHEAVE	B12
REAR ARM SUSPENSION	A12
REAR AXLE WHEEL-118822	C9
REAR WHEEL JN3-118823-	C10
SEAT	D7
SECONDARY SHEAVE	C1
SHIFTING LEVER 118823-	C8
STARTER GENERATOR	D8-9
STEERING	B4
TRANSAXLE 118823-	C5-7
TRANSMISSION	
JN3-000101-118822	C2-4
-MODELS IN THIS CATALOG	E9



JU23100-E230

OPTIONAL LIGHT KIT STREAMLINE JU0



NOTE A: To order the correct service parts read the part number on the back of the lens assembly (5FU-H4320-00-00 or 5FU-H4320-10-00).

NOTE B: To determine which Holder (-00 or -02) you are working with, measure the Headlight Lens Adjusting Screw boss on the back of the Holder.

-00 = 35mm
-02 = 25mm

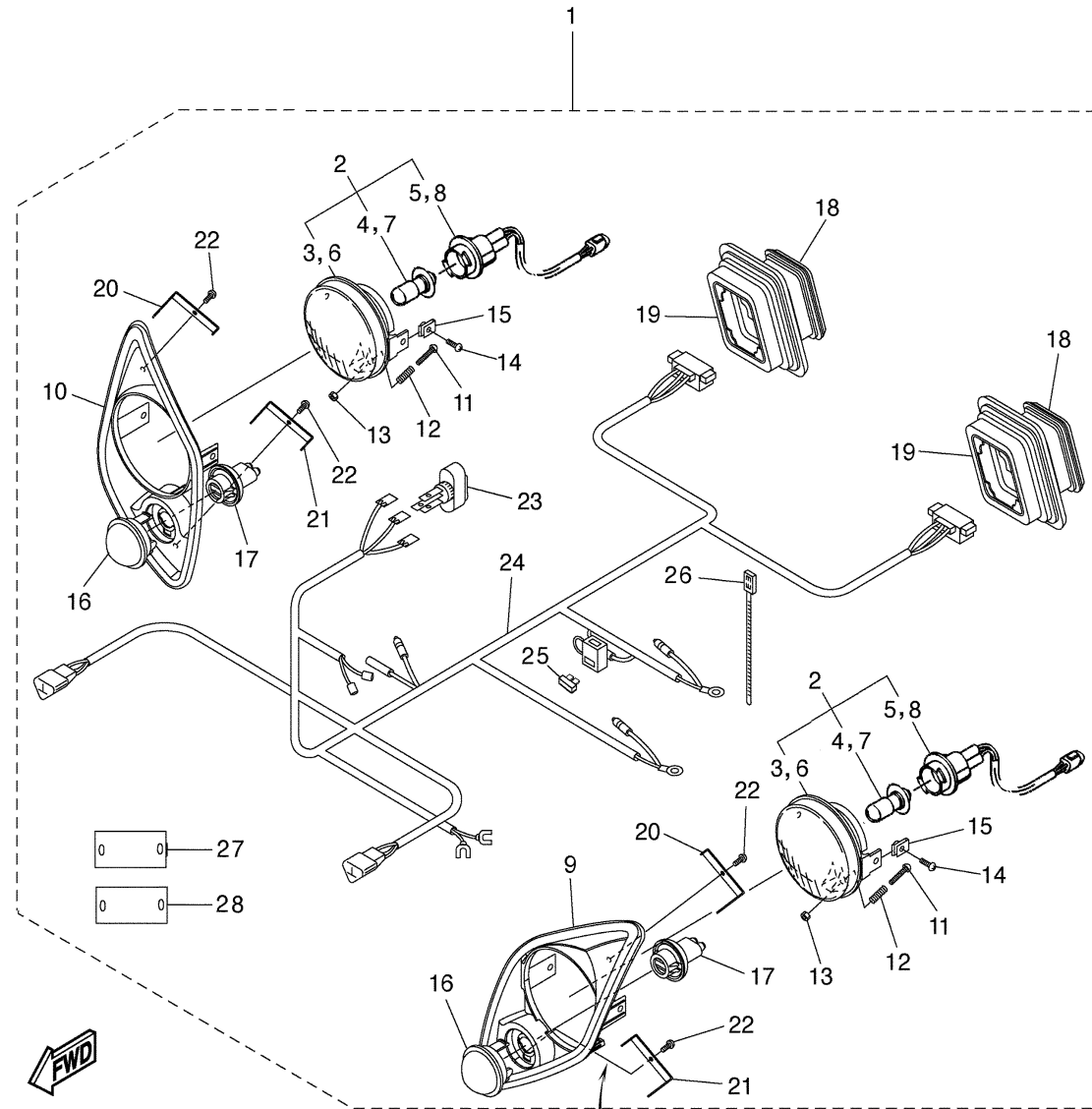
Ref. No.	Part Number	Description	Qty	Remarks
1	JU0-H430A-00-00	HEADLIGHT UNIT ASSY	1	
2	5FU-H4300-00-00	. HEADLIGHT ASSY	2	UR, SEE NOTE A
	5FU-H4300-10-00	. HEADLIGHT ASSY	2	UR, SEE NOTE A
3	5FU-H4320-00-00	.. LENS ASSY	2	UR, USE WITH -00 ASSY
4	5FU-H4314-00-00	.. BULB, HEADLIGHT (12V-3030W)	2	UR, USE WITH -00 LENS
5	5FU-H4340-00-00	.. SOCKET CORD ASSY	2	UR, USE WITH -00 BULB
6	5FU-H4320-10-00	.. LENS ASSY	2	UR, USE WITH -10 ASSY
7	5FU-H4314-10-00	.. BULB, HEADLIGHT (12V-3030W)	2	UR, USE WITH -10 LENS
8	5FU-H4340-10-00	.. SOCKET CORD ASSY	2	UR, USE WITH -10 BULB
9	JU7-H411T-00-00	. HOLDER, 1	1	USE WITH 15MM SPRING, SEE NOTE B
	JU7-H411T-02-00	. HOLDER, 1	1	USE WITH 34MM SPRING, SEE NOTE B
10	JU7-H411U-00-00	. HOLDER, 2	1	USE WITH 15MM SPRING, SEE NOTE B
	JU7-H411U-02-00	. HOLDER, 2	1	USE WITH 34MM SPRING, SEE NOTE B
11	90501-03540-00	. SCREW, PAN HEAD	2	
12	2GU-84332-00-00	. SPRING, SCREW	2	UR, GOLD L=34MM (FOR-02 HOLDER WITH 25MM BOSS)
	90501-10060-00	. SPRING, COMPRESSION	2	UR, BLACK L=15MM (FOR-00 HOLDER WITH 35MM BOSS)
13	2GU-84334-00-00	. NUT, ADJUSTING	2	
14	90150-05802-00	. SCREW, ROUND HEAD	4	
15	90183-05008-00	. NUT, SPRING	4	

CONTENTS

ACCELERATOR	B10
AIR SHROUD FAN	A5
BODY 1	C12 ,D1
BODY 2	D2-3
BODY FITTING	D4
BRAKE 1	B6-7
BRAKE 2	B8
BRAKE 3	B9
BUMPER	C11
CAMSHAFT VALVE	A4
CARBURETOR	A8
CARRIER	D5-6
CRANKCASE	A10
CRANKSHAFT PISTON	A3
CYLINDER HEAD	A2
ELECTRICAL 1	D10
ELECTRICAL 2	D11-12
ENGINE BRACKET	A11
EXHAUST	A9
FRAME	B1
FRONT SUSPENSION WHEEL	B2-3
FUEL TANK	B5
GOVERNOR	B11
INTAKE	A6-7
OPTIONAL HUB CAPS	E8
OPTIONAL LIGHT KIT	E1
OPTIONAL LIGHT KIT STREAMLINE JU0	E2-3
OPTIONAL SUN ROOF JN3	E6
OPTIONAL SUN ROOF JN6	E7
OPTIONAL WINDSHIELD JN3	E4
OPTIONAL WINDSHIELD JN6	E5
PRIMARY SHEAVE	B12
REAR ARM SUSPENSION	A12
REAR AXLE WHEEL-118822	C9
REAR WHEEL JN3-118823-	C10
SEAT	D7
SECONDARY SHEAVE	C1
SHIFTING LEVER 118823-	C8
STARTER GENERATOR	D8-9
STEERING	B4
TRANSAXLE 118823-	C5-7
TRANSMISSION	
JN3-000101-118822	C2-4
-MODELS IN THIS CATALOG	E9

CONTINUED ON NEXT FRAME ➤

OPTIONAL LIGHT KIT STREAMLINE JU0



JU23100-E230

NOTE A: To order the correct service parts read the part number on the back of the lens assembly (5FU-H4320-00-00 or 5FU-H4320-10-00).

NOTE B: To determine which Holder (-00 or -02) you are working with, measure the Headlight Lens Adjusting Screw boss on the back of the Holder.

-00 = 35mm
-02 = 25mm

Ref. No.	Part Number	Description	Qty	Remarks
16	JU7-H5415-00-00	. MARK, SIGNAL LAMP	2	
17	JU7-H3547-00-00	. COVER, SOCKET	2	
18	JU5-H4700-00-00	. TAILLIGHT ASSY	2	
19	JU5-H4718-00-00	. GROMMET	2	
20	JU7-H4118-01-00	. STAY, HEADLIGHT 1	2	
21	JU7-H4119-01-00	. STAY, HEADLIGHT 2	2	
22	97707-40112-00	. SCREW, TAPPING	4	
23	JU0-H3976-00-00	. SWITCH, HANDLE 1	1	
24	JU0-H4159-00-00	. CORD, HEADLIGHT	1	
25	42X-82151-00-00	. FUSE	1	
26	GCA-JU012-51-00	. CLAMP	20	
27	GCA-JU012-41-00	. REFLECTOR, AMBER	2	
28	GCA-JU012-42-00	. REFLECTOR, RED	2	

CONTENTS

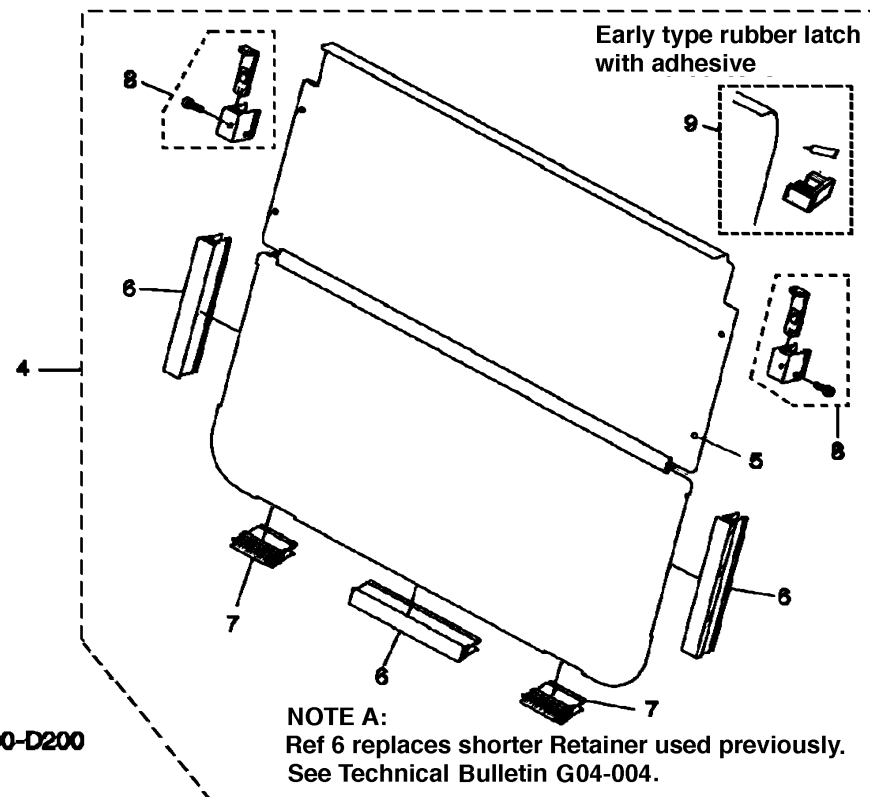
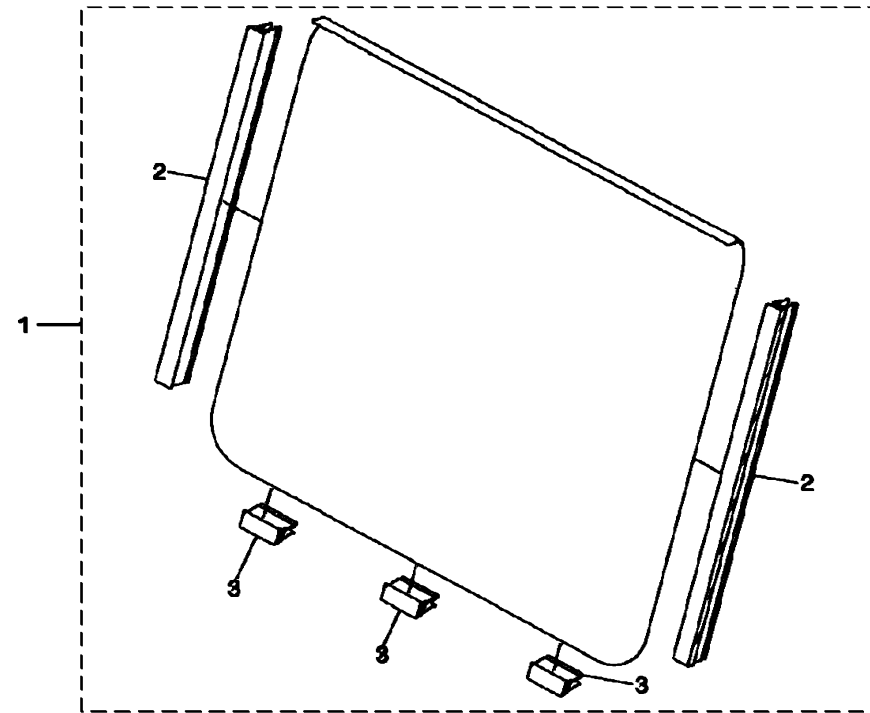
ACCELERATOR	B10
AIR SHROUD FAN	A5
BODY 1	C12 ,D1
BODY 2	D2-3
BODY FITTING	D4
BRAKE 1	B6-7
BRAKE 2	B8
BRAKE 3	B9
BUMPER	C11
CAMSHAFT VALVE	A4
CARBURETOR	A8
CARRIER	D5-6
CRANKCASE	A10
CRANKSHAFT PISTON	A3
CYLINDER HEAD	A2
ELECTRICAL 1	D10
ELECTRICAL 2	D11-12
ENGINE BRACKET	A11
EXHAUST	A9
FRAME	B1
FRONT SUSPENSION WHEEL	B2-3
FUEL TANK	B5
GOVERNOR	B11
INTAKE	A6-7
OPTIONAL HUB CAPS	E8
OPTIONAL LIGHT KIT	E1
OPTIONAL LIGHT KIT STREAMLINE JU0	E2-3
OPTIONAL SUN ROOF JN3	E6
OPTIONAL SUN ROOF JN6	E7
OPTIONAL WINDSHIELD JN3	E4
OPTIONAL WINDSHIELD JN6	E5
PRIMARY SHEAVE	B12
REAR ARM SUSPENSION	A12
REAR AXLE WHEEL-118822	C9
REAR WHEEL JN3-118823-	C10
SEAT	D7
SECONDARY SHEAVE	C1
SHIFTING LEVER 118823-	C8
STARTER GENERATOR	D8-9
STEERING	B4
TRANSAXLE 118823-	C5-7
TRANSMISSION	
JN3-000101-118822	C2-4
-MODELS IN THIS CATALOG	E9

OPTIONAL WINDSHIELD JN3

Ref. No.	Part Number	Description	Qty	Remarks
1	JN3-K7200-01-00	WINDSHIELD ASSEMBLY (ONE PIECE, CLEAR)	1	UR JN3 SUNTOP REQUIRED
2	JU0-K838C-00-00	. HOLDER SHIELD	2	
3	JU0-K722A-01-00	. FASTENER	1	
4	JN3-K7200-22-00	WINDSHIELD ASSEMBLY (HINGED, CLEAR)	1	UR JN3 SUNTOP REQUIRED
	JN3-K7200-32-00	WINDSHIELD ASSEMBLY (HINGED, TINTED)	1	UR JN3 SUNTOP REQUIRED
5	JU0-K7238-00-00	. DAMPER, WINDSHIELD	6	
6	JU0-K838B-09-00	. RETAINER 2	3	SEE NOTE A
7	JU0-K7222-01-00	. BRACKET, WIINDSHIELD	2	
8	JU0-K722E-00-00	. LATCH, SLIDE	1	
9	ACC-CCGLU-ES-ET	HINGED WINDOW MTG BRACKET	1	UR PREVIOUS DESIGN RUBBER LATCH WITH GLUE

CONTENTS

ACCELERATOR	B10
AIR SHROUD FAN	A5
BODY 1	C12 ,D1
BODY 2	D2-3
BODY FITTING	D4
BRAKE 1	B6-7
BRAKE 2	B8
BRAKE 3	B9
BUMPER	C11
CAMSHAFT VALVE	A4
CARBURETOR	A8
CARRIER	D5-6
CRANKCASE	A10
CRANKSHAFT PISTON	A3
CYLINDER HEAD	A2
ELECTRICAL 1	D10
ELECTRICAL 2	D11-12
ENGINE BRACKET	A11
EXHAUST	A9
FRAME	B1
FRONT SUSPENSION WHEEL	B2-3
FUEL TANK	B5
GOVERNOR	B11
INTAKE	A6-7
OPTIONAL HUB CAPS	E8
OPTIONAL LIGHT KIT	E1
OPTIONAL LIGHT KIT STREAMLINE JU0	E2-3
OPTIONAL SUN ROOF JN3	E6
OPTIONAL SUN ROOF JN6	E7
OPTIONAL WINDSHIELD JN3	E4
OPTIONAL WINDSHIELD JN6	E5
PRIMARY SHEAVE	B12
REAR ARM SUSPENSION	A12
REAR AXLE WHEEL-118822	C9
REAR WHEEL JN3-118823-SEAT	C10
SECONDARY SHEAVE	D7
SHIFTING LEVER 118823-	C1
STARTER GENERATOR	C8
STEERING	D8-9
TRANSAXLE 118823-	B4
TRANSMISSION	C5-7
JN3-000101-118822	C2-4
-MODELS IN THIS CATALOG	E9

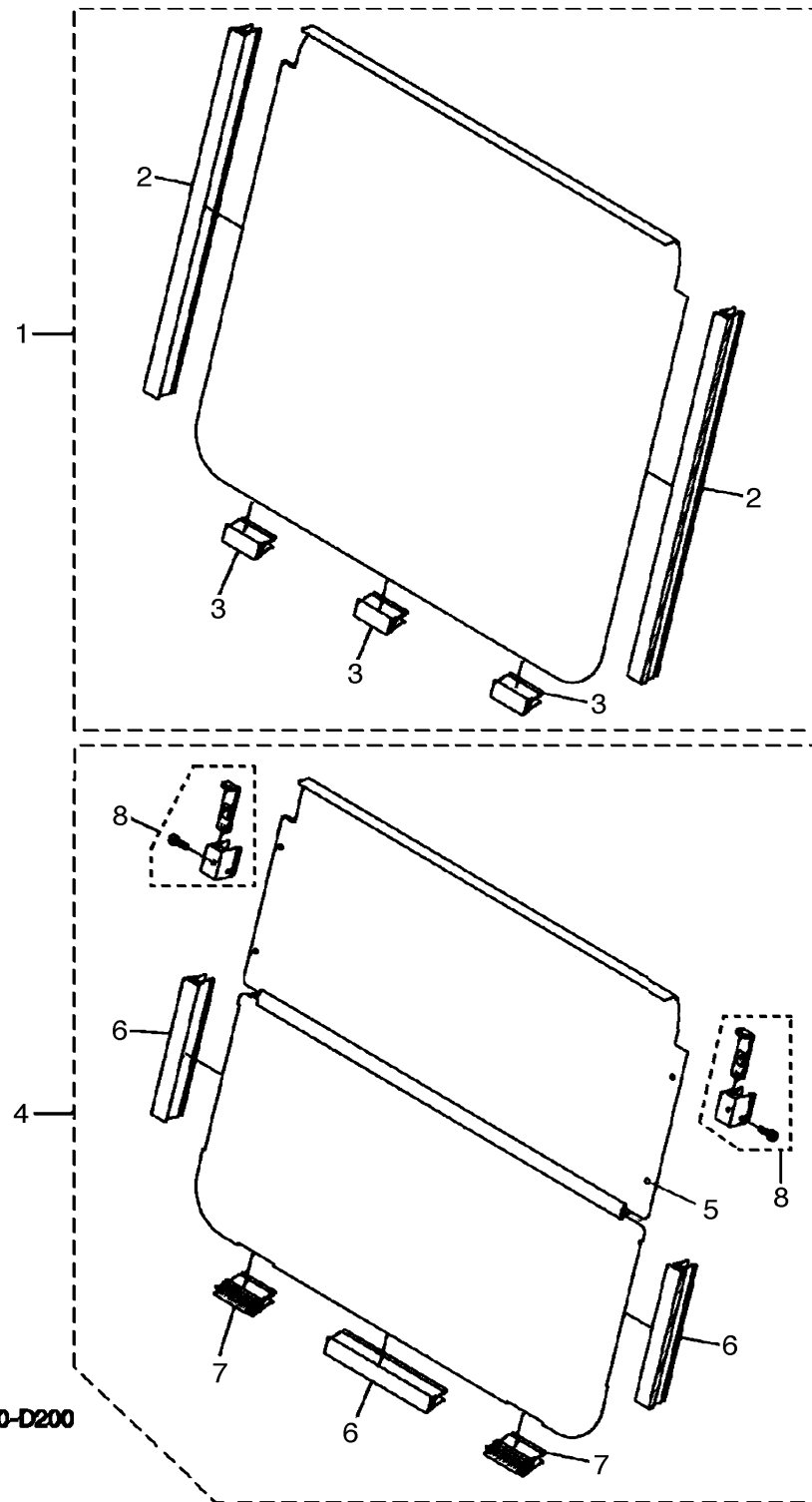


OPTIONAL WINDSHIELD JN6

Ref. No.	Part Number	Description	Qty	Remarks
1	JN6-K7200-00-00	WIINDSHIELD, CLEAR 1 PIECE	1	UR JN6 SUNTOP REQUIRED
2	JU0-K838C-00-00	. HOLDER SHIELD	2	29 INCHES
3	JU0-K8383A-10-00	. FASTNER, 2	3	
4	JN6-K7200-22-00	WINDSHIELD ASSY, (HINGED, CLEAR)	1	UR JN6 SUNTOP REQUIRED
	JN6-K7200-32-00	WINDSHIELD ASSY, (HINGED, TINTED)	1	UR JN6 SUNTOP REQUIRED
5	JU0-K7238-00-00	. DAMPER, WINDSHIELD	4	
6	JU0-K838B-00-00	. RETAINER 2	3	10 INCHES
7	JU0-K7222-01-00	. BRACKET, WIINDSHIELD	2	2 INCHES
8	JU0-K722E-00-00	. LATCH, SLIDE	1	

CONTENTS

ACCELERATOR	B10
AIR SHROUD FAN	A5
BODY 1	C12 ,D1
BODY 2	D2-3
BODY FITTING	D4
BRAKE 1	B6-7
BRAKE 2	B8
BRAKE 3	B9
BUMPER	C11
CAMSHAFT VALVE	A4
CARBURETOR	A8
CARRIER	D5-6
CRANKCASE	A10
CRANKSHAFT PISTON	A3
CYLINDER HEAD	A2
ELECTRICAL 1	D10
ELECTRICAL 2	D11-12
ENGINE BRACKET	A11
EXHAUST	A9
FRAME	B1
FRONT SUSPENSION WHEEL	B2-3
FUEL TANK	B5
GOVERNOR	B11
INTAKE	A6-7
OPTIONAL HUB CAPS	E8
OPTIONAL LIGHT KIT	E1
OPTIONAL LIGHT KIT	
STREAMLINE JU0	E2-3
OPTIONAL SUN ROOF JN3	E6
OPTIONAL SUN ROOF JN6	E7
OPTIONAL WINDSHIELD JN3	E4
OPTIONAL WINDSHIELD JN6	E5
PRIMARY SHEAVE	B12
REAR ARM SUSPENSION	A12
REAR AXLE WHEEL-118822	C9
REAR WHEEL JN3-118823-	C10
SEAT	D7
SECONDARY SHEAVE	C1
SHIFTING LEVER 118823-	C8
STARTER GENERATOR	D8-9
STEERING	B4
TRANSAXLE 118823-	C5-7
TRANSMISSION	
JN3-000101-118822	C2-4
-MODELS IN THIS CATALOG	E9

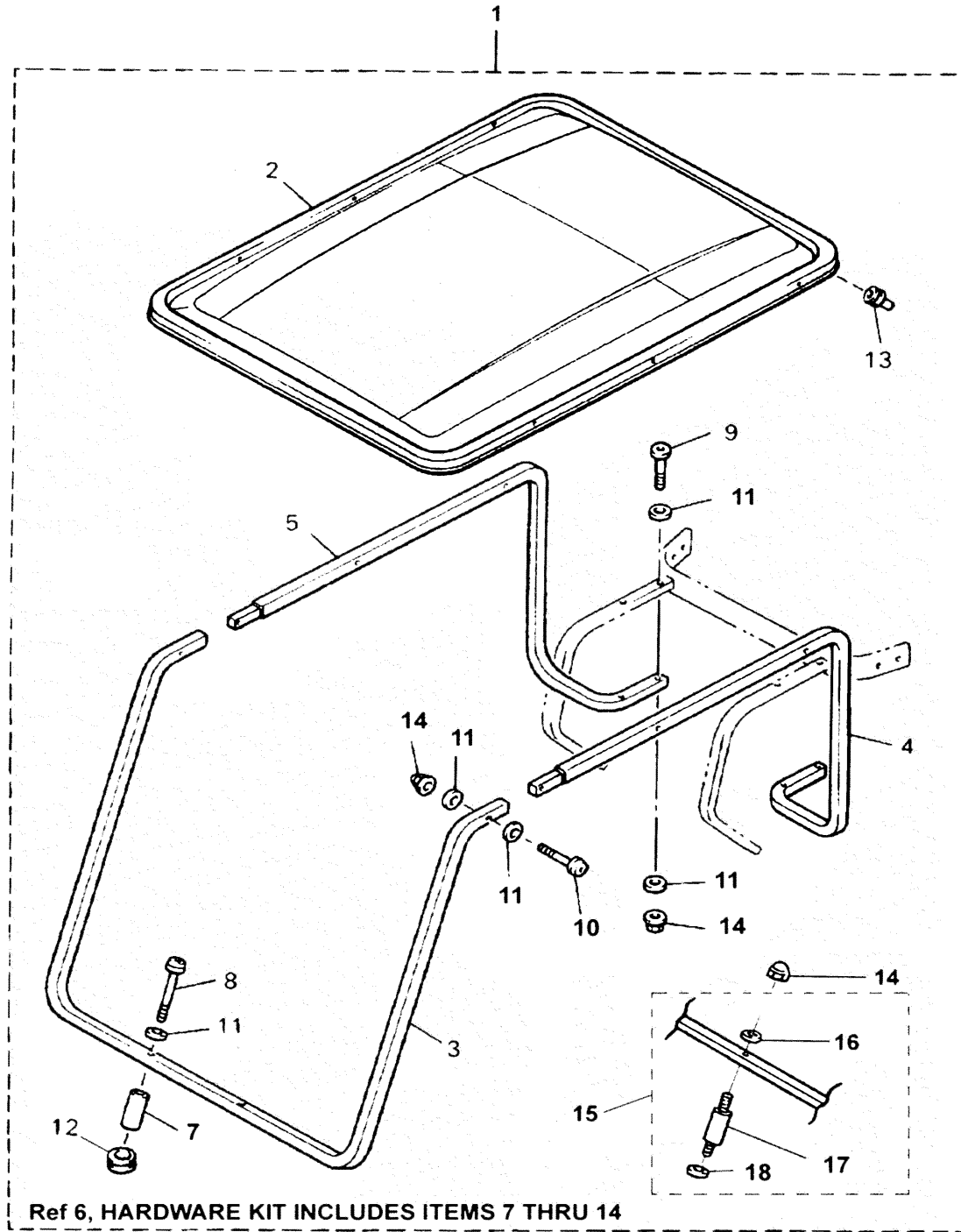


OPTIONAL SUN ROOF JN3

Ref. No.	Part Number	Description	Qty	Remarks
1	JN3-K8310-10-00	SUN ROOF ASSEMBLY	1	UR AP
2	JN3-K8314-00-00	. COVER, SUNROOF	1	
3	JN3-K8312-00-00	. SUPPORT, ROOF 1	1	
4	JN3-K8313-00-00	. SUPPORT, ROOF 2	1	
5	JN3-K831A-00-00	. SUPPORT, ROOF 3	1	
6	ABA-JN398-99-00	. HARDWARE, SUNTOP	1	
7	90387-09826-00	.. COLLAR	2	
8	90101-08862-00	.. BOLT	2	
9	90101-22864-00	.. BOLT	4	NOT AVAILABLE SEPARATELY
10	90101-22863-00	.. BOLT	6	
11	90201-088E5-00	.. WASHER, PLATE	24	
12	JN3-K832F-00-00	.. GROMMET, ROOF SUPPORT	2	
13	JN3-K832G-00-00	.. GROMMET, ROOF	2	
14	90185-12835-00	.. NUT, SELF-LOCK	10	
15	JN6-K834A-02-KT	HOLDER, REINFORCEMENT ..	1	UR AP
16	90201-098JA-00	. WASHER, PLAIN	2	
17	JN6-K834A-02-00	. HOLDER, REINFORCEMENT .	2	
18	9299R-08600-00	. WASHER, PLATE	2	

CONTENTS

ACCELERATOR	B10
AIR SHROUD FAN	A5
BODY 1	C12 ,D1
BODY 2	D2-3
BODY FITTING	D4
BRAKE 1	B6-7
BRAKE 2	B8
BRAKE 3	B9
BUMPER	C11
CAMSHAFT VALVE	A4
CARBURETOR	A8
CARRIER	D5-6
CRANKCASE	A10
CRANKSHAFT PISTON	A3
CYLINDER HEAD	A2
ELECTRICAL 1	D10
ELECTRICAL 2	D11-12
ENGINE BRACKET	A11
EXHAUST	A9
FRAME	B1
FRONT SUSPENSION WHEEL	B2-3
FUEL TANK	B5
GOVERNOR	B11
INTAKE	A6-7
OPTIONAL HUB CAPS	E8
OPTIONAL LIGHT KIT	E1
OPTIONAL LIGHT KIT	
STREAMLINE JU0	E2-3
OPTIONAL SUN ROOF JN3	E6
OPTIONAL SUN ROOF JN6	E7
OPTIONAL WINDSHIELD JN3	E4
OPTIONAL WINDSHIELD JN6	E5
PRIMARY SHEAVE	B12
REAR ARM SUSPENSION	A12
REAR AXLE WHEEL-118822	C9
REAR WHEEL JN3-118823-	C10
SEAT	D7
SECONDARY SHEAVE	C1
SHIFTING LEVER 118823-	C8
STARTER GENERATOR	D8-9
STEERING	B4
TRANSAXLE 118823-	C5-7
TRANSMISSION	
JN3-000101-118822	C2-4
-MODELS IN THIS CATALOG	E9

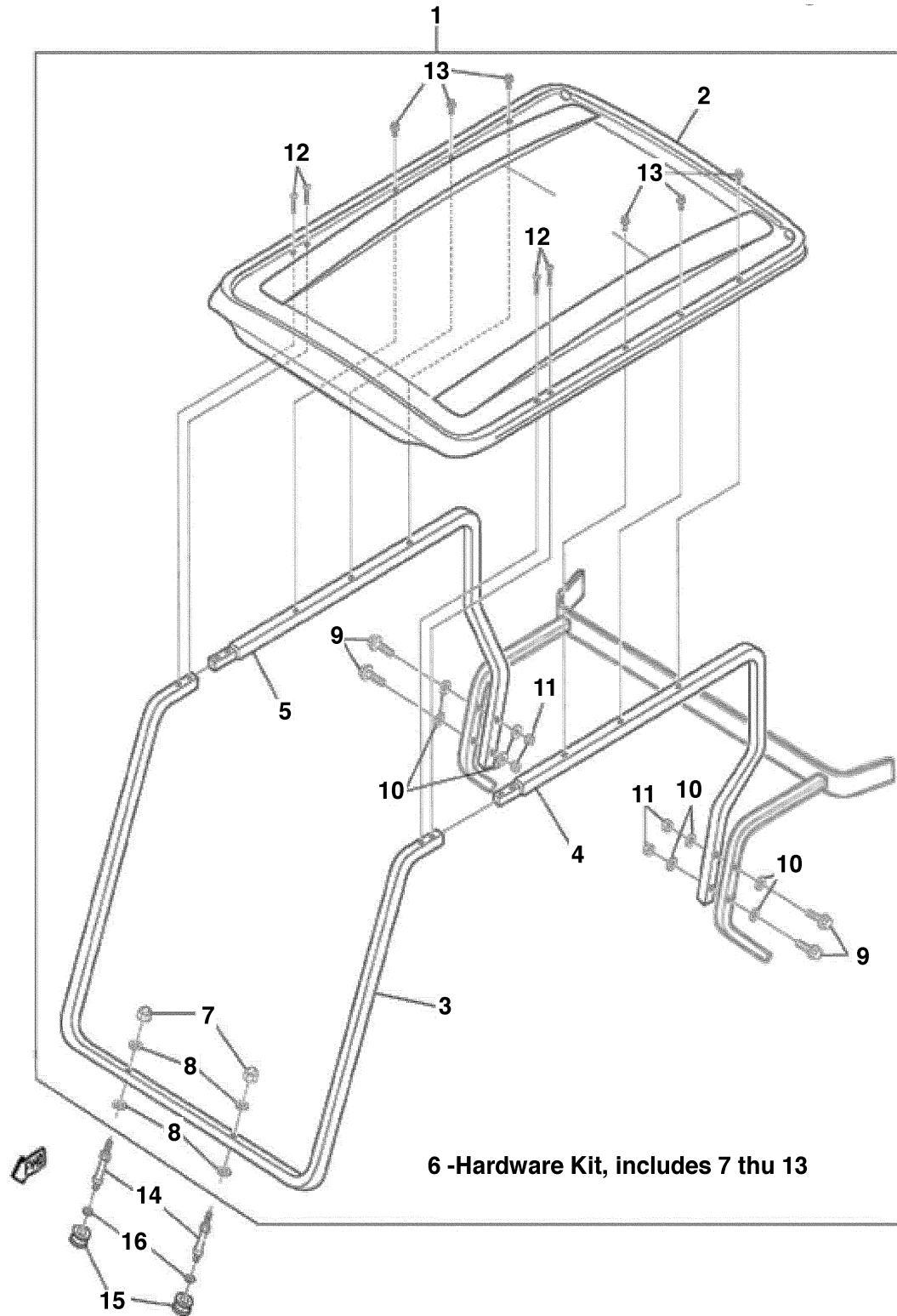


Ref 6, HARDWARE KIT INCLUDES ITEMS 7 THRU 14



JN3100-5371

OPTIONAL SUN ROOF JN6



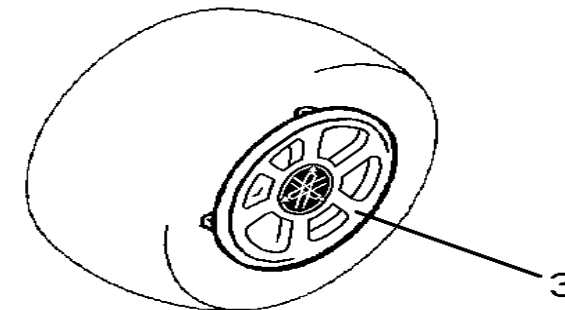
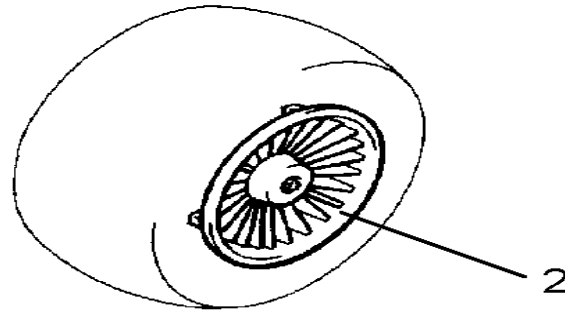
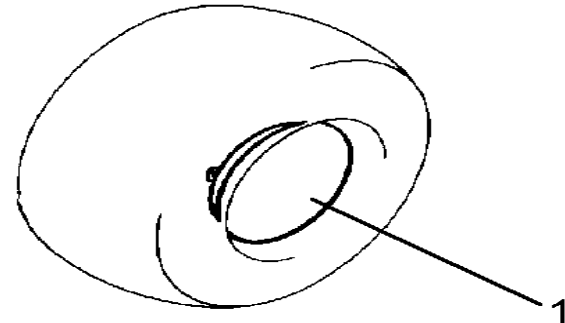
Ref. No.	Part Number	Description	Qty	Remarks
1	JN6-K8310-12-00	SUNTOP KIT	1	
2	JN6-K8314-00-00	. COVER, SUN ROOF	1	
3	JN6-K8312-00-00	. SUPPORT, SUN ROOF 1	1	FRONT
4	JN6-K8313-12-00	. SUPPORT, SUN ROOF 2	1	LH SIDE
5	JN6-K831A-12-00	. SUPPORT, SUN ROOF 2	1	RH SIDE
6	ABA-JN6-K8-31-00	. HARDWARE KIT SUNTOP ...	1	
7	90176-08801-00	.. NUT, CAP	2	
8	90201-098J4-00	.. WASHER, PLAIN	4	
9	90101-22864-00	.. BOLT	4	70MM LONG (NOT AVAILABLE SEPARATELY)
10	90201-088T2-00	. WASHER, PLAIN	8	
11	90185-12835-00	.. NUT, SELF-LOCK	4	(NOT AVAILABLE SEPARATELY)
12	90110-06800-00	.. SCREW	4	16MM LONG (NOT AVAILABLE SEPARATELY)
13	90269-08800-00	.. RIVET	6	WHITE PLASTIC RIVET
14	JN6-K834A-02-00	HOLDER, REINFORCEMENT ..	2	UR, NOT INCLUDED
15	JN3-K832F-00-00	GROMMET, ROOF SUPPORT ..	2	UR, NOT INCLUDED
16	9299R-08600-00	WASHER, PLATE	2	UR, NOT INCLUDED

CONTENTS

ACCELERATOR	B10
AIR SHROUD FAN	A5
BODY 1	C12 ,D1
BODY 2	D2-3
BODY FITTING	D4
BRAKE 1	B6-7
BRAKE 2	B8
BRAKE 3	B9
BUMPER	C11
CAMSHAFT VALVE	A4
CARBURETOR	A8
CARRIER	D5-6
CRANKCASE	A10
CRANKSHAFT PISTON	A3
CYLINDER HEAD	A2
ELECTRICAL 1	D10
ELECTRICAL 2	D11-12
ENGINE BRACKET	A11
EXHAUST	A9
FRAME	B1
FRONT SUSPENSION WHEEL	B2-3
FUEL TANK	B5
GOVERNOR	B11
INTAKE	A6-7
OPTIONAL HUB CAPS	E8
OPTIONAL LIGHT KIT	E1
OPTIONAL LIGHT KIT	
STREAMLINE JU0	E2-3
OPTIONAL SUN ROOF JN3	E6
OPTIONAL SUN ROOF JN6	E7
OPTIONAL WINDSHIELD JN3	E4
OPTIONAL WINDSHIELD JN6	E5
PRIMARY SHEAVE	B12
REAR ARM SUSPENSION	A12
REAR AXLE WHEEL-118822	C9
REAR WHEEL JN3-118823-	C10
SEAT	D7
SECONDARY SHEAVE	C1
SHIFTING LEVER 118823-	C8
STARTER GENERATOR	D8-9
STEERING	B4
TRANSAXLE 118823-	C5-7
TRANSMISSION	
JN3-000101-118822	C2-4
-MODELS IN THIS CATALOG	E9

OPTIONAL HUB CAPS

Ref. No.	Part Number	Description	Qty	Remarks
1	JG5-F512L-00-00	HUB CAP, PLAIN	4	COMES WITH CLIPS
2	JG5-F512M-00-00	HUB CAP, MAG-STYLE	4	COMES WITH CLIPS
3	JN6-HUBCP-TF-00	HUB-CAP, TUNING FORK	4	COMES WITH CLIPS



CONTENTS

ACCELERATOR	B10
AIR SHROUD FAN	A5
BODY 1	C12 ,D1
BODY 2	D2-3
BODY FITTING	D4
BRAKE 1	B6-7
BRAKE 2	B8
BRAKE 3	B9
BUMPER	C11
CAMSHAFT VALVE	A4
CARBURETOR	A8
CARRIER	D5-6
CRANKCASE	A10
CRANKSHAFT PISTON	A3
CYLINDER HEAD	A2
ELECTRICAL 1	D10
ELECTRICAL 2	D11-12
ENGINE BRACKET	A11
EXHAUST	A9
FRAME	B1
FRONT SUSPENSION WHEEL	B2-3
FUEL TANK	B5
GOVERNOR	B11
INTAKE	A6-7
OPTIONAL HUB CAPS	E8
OPTIONAL LIGHT KIT	E1
OPTIONAL LIGHT KIT	
STREAMLINE JU0	E2-3
OPTIONAL SUN ROOF JN3	E6
OPTIONAL SUN ROOF JN6	E7
OPTIONAL WINDSHIELD JN3	E4
OPTIONAL WINDSHIELD JN6	E5
PRIMARY SHEAVE	B12
REAR ARM SUSPENSION	A12
REAR AXLE WHEEL-118822	C9
REAR WHEEL JN3-118823-	C10
SEAT	D7
SECONDARY SHEAVE	C1
SHIFTING LEVER 118823-	C8
STARTER GENERATOR	D8-9
STEERING	B4
TRANSAXLE 118823-	C5-7
TRANSMISSION	
JN3-000101-118822	C2-4
-MODELS IN THIS CATALOG	E9

 JN6100-6261

~MODELS IN THIS CATALOG

Ref. No.	Part Number	Description	Qty	Remarks
----------	-------------	-------------	-----	---------

CONTENTS

ACCELERATOR	B10
AIR SHROUD FAN	A5
BODY 1	C12 ,D1
BODY 2	D2-3
BODY FITTING	D4
BRAKE 1	B6-7
BRAKE 2	B8
BRAKE 3	B9
BUMPER	C11
CAMSHAFT VALVE	A4
CARBURETOR	A8
CARRIER	D5-6
CRANKCASE	A10
CRANKSHAFT PISTON	A3
CYLINDER HEAD	A2
ELECTRICAL 1	D10
ELECTRICAL 2	D11-12
ENGINE BRACKET	A11
EXHAUST	A9
FRAME	B1
FRONT SUSPENSION WHEEL	B2-3
FUEL TANK	B5
GOVERNOR	B11
INTAKE	A6-7
OPTIONAL HUB CAPS	E8
OPTIONAL LIGHT KIT	E1
OPTIONAL LIGHT KIT	
STREAMLINE JU0	E2-3
OPTIONAL SUN ROOF JN3	E6
OPTIONAL SUN ROOF JN6	E7
OPTIONAL WINDSHIELD JN3	E4
OPTIONAL WINDSHIELD JN6	E5
PRIMARY SHEAVE	B12
REAR ARM SUSPENSION	A12
REAR AXLE WHEEL~118822	C9
REAR WHEEL JN3-118823~	C10
SEAT	D7
SECONDARY SHEAVE	C1
SHIFTING LEVER 118823~	C8
STARTER GENERATOR	D8-9
STEERING	B4
TRANSAXLE 118823~	C5-7
TRANSMISSION	
JN3-000101~118822	C2-4
~MODELS IN THIS CATALOG	E9

1995 G14AM (JN3)

STARTING FRAME: JN3-000101 and following

1996 G14AP (JN3)

STARTING FRAME: JN3-100101 and following

**ALL THESE MODELS USE THIS SAME PARTS CATALOG.
BE SURE TO ORDER ONLY THOSE PARTS APPLICABLE
TO THE DESIRED MODEL.**