

PARTS CATALOGUE GOLF CAR

1995 G14EM (JN4)

1996 G14EP (JN4)

STARTING FRAME: JN4-100101 and following

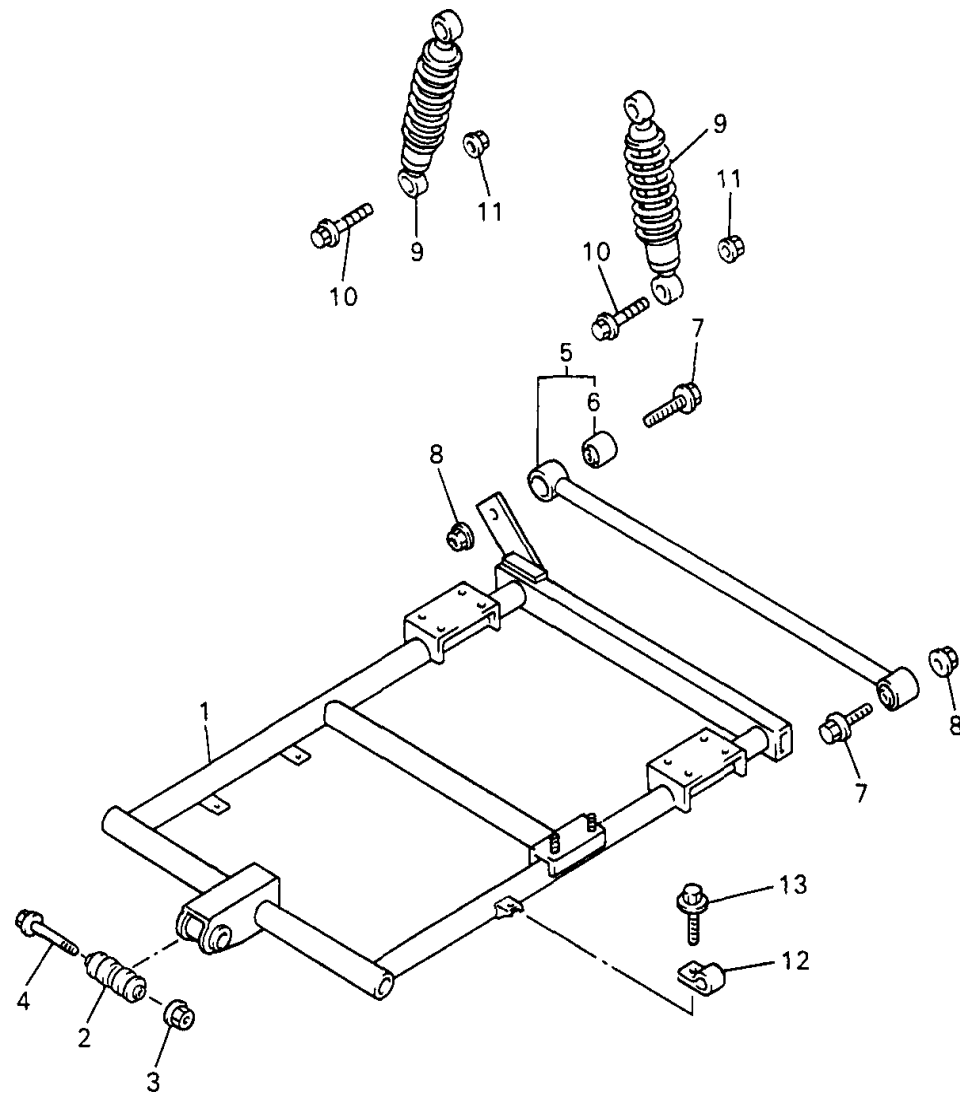
STARTING FRAME: JN4-200101 and following

OWNERS LIT-19626-00-70 (95~ 96)
 ASSEMBLY LIT-19666-
 SERVICE LIT-11616-

CONTENTS

ACCELERATOR	A11
BODY 1	B4-5
BODY 2	B6-7
BODY FITTING	B8
BRAKE 1	A7-8
BRAKE 2	A9
BRAKE 3	A10
BUMPER	B3
CARRIER	B9-10
CONTROLLER 1	C1
CONTROLLER 2	C2
ELECTRIC MOTOR	B12
ELECTRICAL 1	C3-4
FRAME	A3
FRONT SUSPENSION WHEEL	A4-5
OPTIONAL HUB CAPS	C5
OPTIONAL LIGHT KIT	C6
OPTIONAL LIGHT KIT	
STREAMLINE JU2	C7-8
OPTIONAL SUN ROOF JN3	C11
OPTIONAL SUN ROOF JN6	C12
OPTIONAL WINDSHIELD JN3	C9
OPTIONAL WINDSHIELD JN6	C10
REAR ARM SUSPENSION	A2
REAR WHEEL	B2
SEAT	B11
STEERING	A6
TRANSAXLE	A12 ,B1
-MODELS IN THIS CATALOG	D1

REAR ARM SUSPENSION



Ref. No.	Part Number	Description	Qty	Remarks
1	JN4-F2110-00-00	REAR ARM COMP.	1	
2	JN3-22123-00-00	BUSH 1	1	
3	95617-12200-00	NUT, SELF-LOCKING	1	
4	90105-12743-00	BOLT, FLANGE	1	
5	JF2-22172-00-00	ARM, REAR 2	1	
6	J50-22124-00-00	. BUSH 2	2	
7	95817-12065-00	BOLT, FLANGE	2	
8	95617-12200-00	NUT, SELF-LOCKING	2	
9	JN4-F2210-00-00	SHOCK ABSORBER	2	
10	95817-10055-00	BOLT, FLANGE	4	
11	95617-10200-00	NUT, SELF-LOCKING	4	
12	90462-20186-00	CLAMP	2	
13	95807-06016-00	BOLT, FLANGE	2	

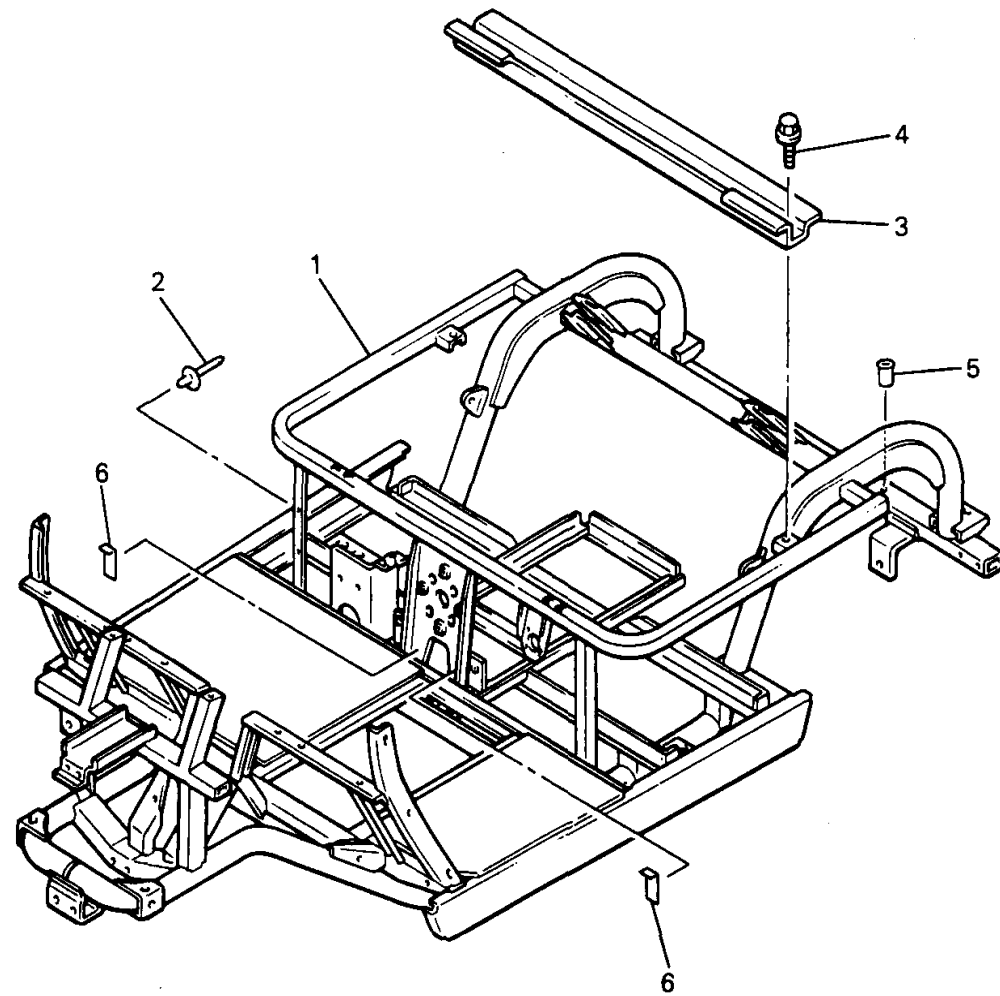
CONTENTS

ACCELERATOR	A11
BODY 1	B4-5
BODY 2	B6-7
BODY FITTING	B8
BRAKE 1	A7-8
BRAKE 2	A9
BRAKE 3	A10
BUMPER	B3
CARRIER	B9-10
CONTROLLER 1	C1
CONTROLLER 2	C2
ELECTRIC MOTOR	B12
ELECTRICAL 1	C3-4
FRAME	A3
FRONT SUSPENSION WHEEL	A4-5
OPTIONAL HUB CAPS	C5
OPTIONAL LIGHT KIT	C6
OPTIONAL LIGHT KIT	
STREAMLINE JU2	C7-8
OPTIONAL SUN ROOF JN3	C11
OPTIONAL SUN ROOF JN6	C12
OPTIONAL WINDSHIELD JN3	C9
OPTIONAL WINDSHIELD JN6	C10
REAR ARM SUSPENSION	A2
REAR WHEEL	B2
SEAT	B11
STEERING	A6
TRANSAXLE	A12 ,B1
-MODELS IN THIS CATALOG	D1



JN4100-5010

FRAME



Ref. No.	Part Number	Description	Qty	Remarks
1	JN4-F2501-01-00	FRAME COMP. (JN4-F2501-00-00)	1	
2	90267-48120-00	RIVET, BLIND	2	
3	JN3-F254R-00-00	SUPPORT, BODY MOUNTING	1	
4	95817-08016-00	BOLT, FLANGE	2	
5	90179-06874-00	NUT	2	
6	JN4-K826H-00-00	PAD, BODY PROTECT 5	2	JN4-200101~

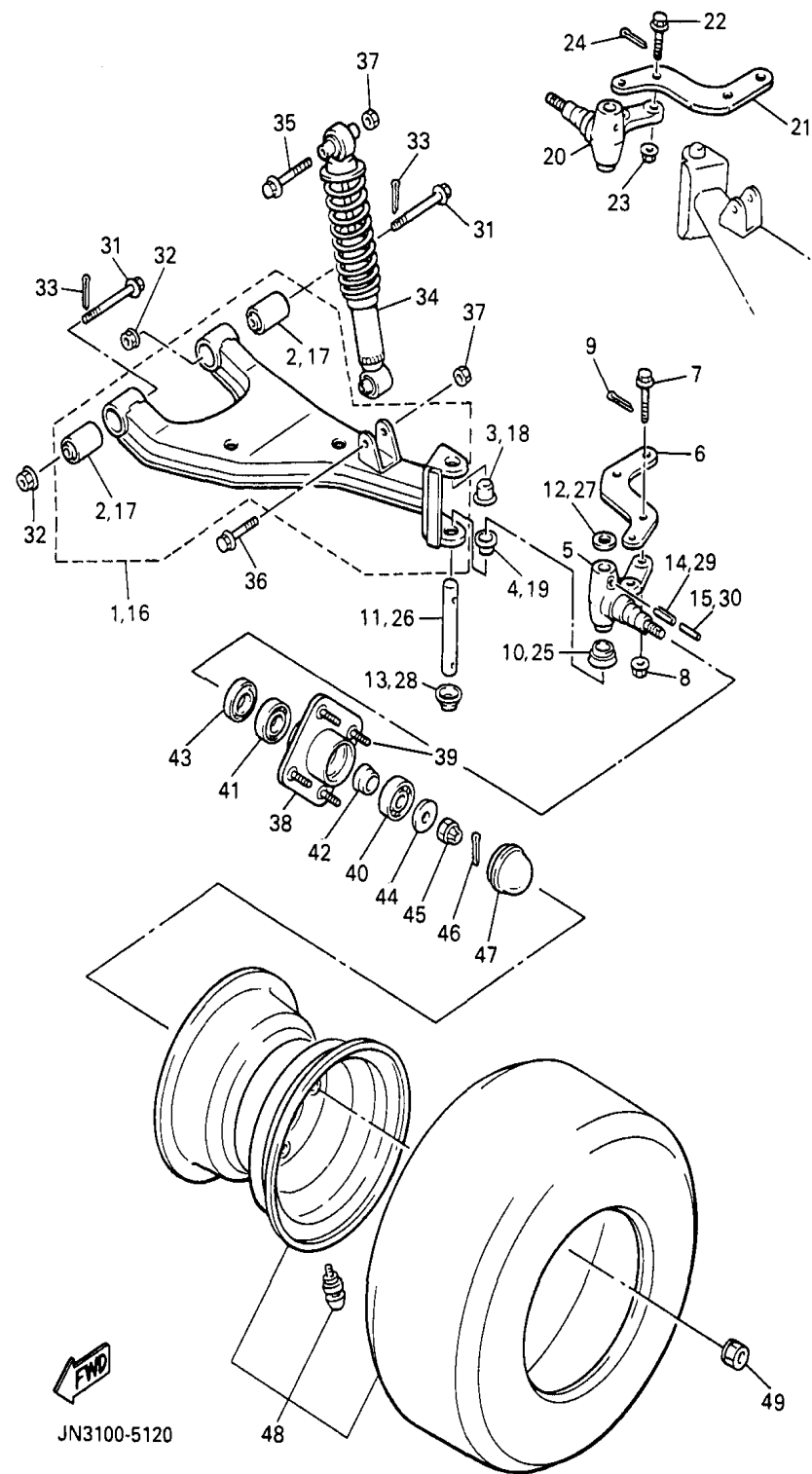
CONTENTS

ACCELERATOR	A11
BODY 1	B4-5
BODY 2	B6-7
BODY FITTING	B8
BRAKE 1	A7-8
BRAKE 2	A9
BRAKE 3	A10
BUMPER	B3
CARRIER	B9-10
CONTROLLER 1	C1
CONTROLLER 2	C2
ELECTRIC MOTOR	B12
ELECTRICAL 1	C3-4
FRAME	A3
FRONT SUSPENSION WHEEL	A4-5
OPTIONAL HUB CAPS	C5
OPTIONAL LIGHT KIT	C6
OPTIONAL LIGHT KIT	C6
STREAMLINE JU2	C7-8
OPTIONAL SUN ROOF JN3	C11
OPTIONAL SUN ROOF JN6	C12
OPTIONAL WINDSHIELD JN3	C9
OPTIONAL WINDSHIELD JN6	C10
REAR ARM SUSPENSION	A2
REAR WHEEL	B2
SEAT	B11
STEERING	A6
TRANSAXLE	A12 ,B1
-MODELS IN THIS CATALOG	D1



JN4100-6020

FRONT SUSPENSION WHEEL



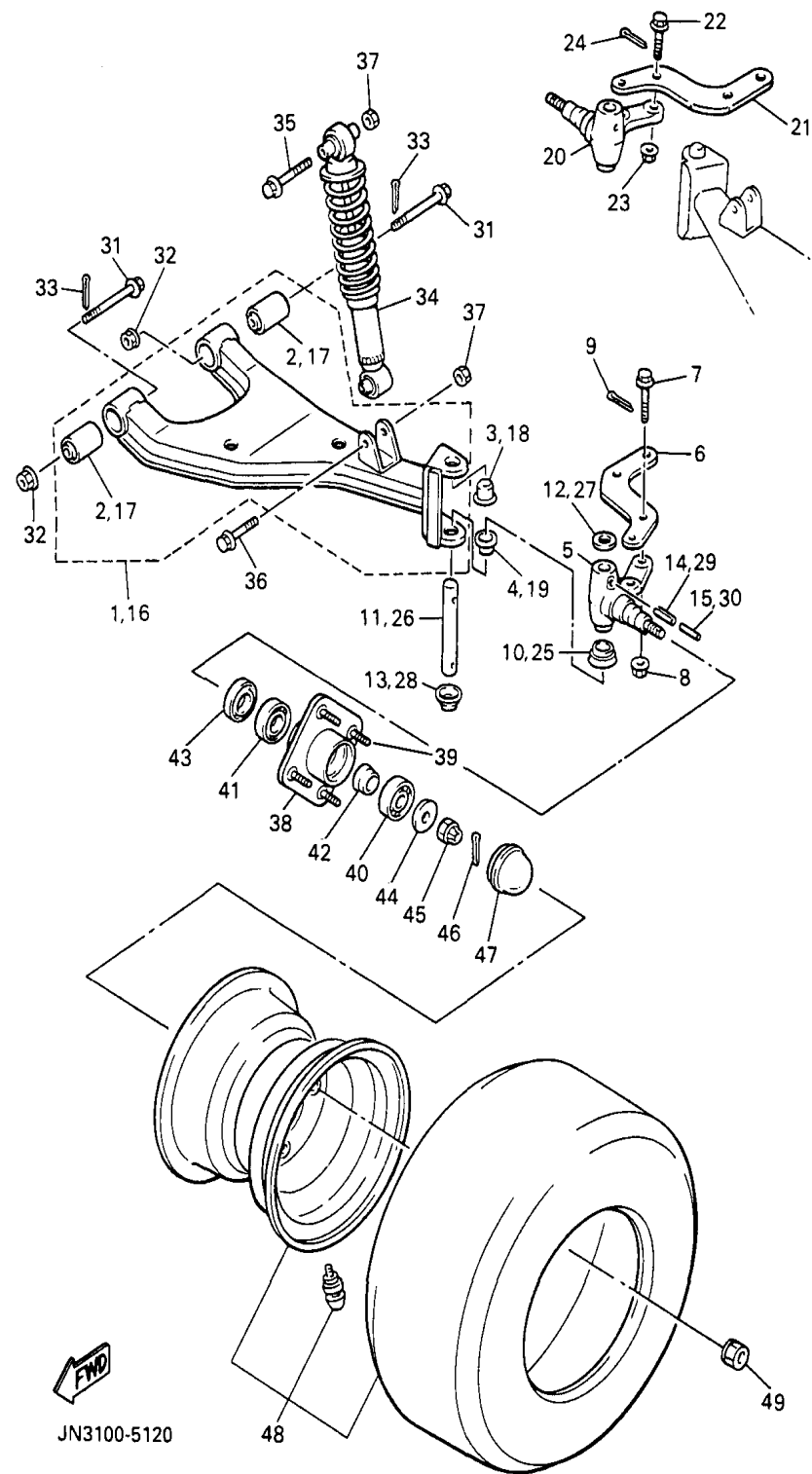
Ref. No.	Part Number	Description	Qty	Remarks
1	JN6-F3570-00-00	FRONT LOWER ARM, LEFT ..	1	
2	J38-23526-00-00	. BUSH	2	
3	90338-17225-00	PLUG, STRAIGHT	1	
4	90386-15139-00	BUSH	1	
5	J38-23511-01-00	KNUCKLE, STEERING 1	1	
6	JN3-F3512-00-00	ARM, KNUCKLE	1	
7	90105-10360-00	BOLT, FLANGE	2	
8	95617-10200-00	NUT, SELF-LOCKING	2	
9	91490-25020-00	PIN, COTTER	2	
10	J38-23527-00-00	SEAL, DUST	1	
11	J38-23516-00-00	PIN, STEERING KNUCKLE ...	1	
12	90201-156J2-00	WASHER, PLAIN	1	
13	J38-23528-00-00	SEAL, DUST	1	
14	91609-60028-00	PIN, SPRING	1	
15	91609-35028-00	PIN, SPRING	1	
16	JN6-F3580-00-00	FRONT LOWER ARM, RIGHT .	1	
17	J38-23526-00-00	. BUSH	2	
18	90338-17225-00	PLUG, STRAIGHT	1	
19	90386-15139-00	BUSH	1	
20	J38-23521-01-00	KNUCKLE, STEERING 2	1	
21	JN3-F3512-00-00	ARM, KNUCKLE	1	
22	90105-10360-00	BOLT, FLANGE	2	
23	95617-10200-00	NUT, SELF-LOCKING	2	
24	91490-25020-00	PIN, COTTER	2	
25	J38-23527-00-00	SEAL, DUST	1	
26	J38-23516-00-00	PIN, STEERING KNUCKLE ...	1	
27	90201-156J2-00	WASHER, PLAIN	1	
28	J38-23528-00-00	SEAL, DUST	1	
29	91609-60028-00	PIN, SPRING	1	
30	91609-35028-00	PIN, SPRING	1	

CONTENTS

ACCELERATOR	A11
BODY 1	B4-5
BODY 2	B6-7
BODY FITTING	B8
BRAKE 1	A7-8
BRAKE 2	A9
BRAKE 3	A10
BUMPER	B3
CARRIER	B9-10
CONTROLLER 1	C1
CONTROLLER 2	C2
ELECTRIC MOTOR	B12
ELECTRICAL 1	C3-4
FRAME	A3
FRONT SUSPENSION WHEEL	A4-5
OPTIONAL HUB CAPS	C5
OPTIONAL LIGHT KIT	C6
OPTIONAL LIGHT KIT STREAMLINE JU2	C7-8
OPTIONAL SUN ROOF JN3	C11
OPTIONAL SUN ROOF JN6	C12
OPTIONAL WINDSHIELD JN3	C9
OPTIONAL WINDSHIELD JN6	C10
REAR ARM SUSPENSION	A2
REAR WHEEL	B2
SEAT	B11
STEERING	A6
TRANSAXLE	A12 ,B1
-MODELS IN THIS CATALOG	D1

CONTINUED ON NEXT FRAME ►

FRONT SUSPENSION WHEEL

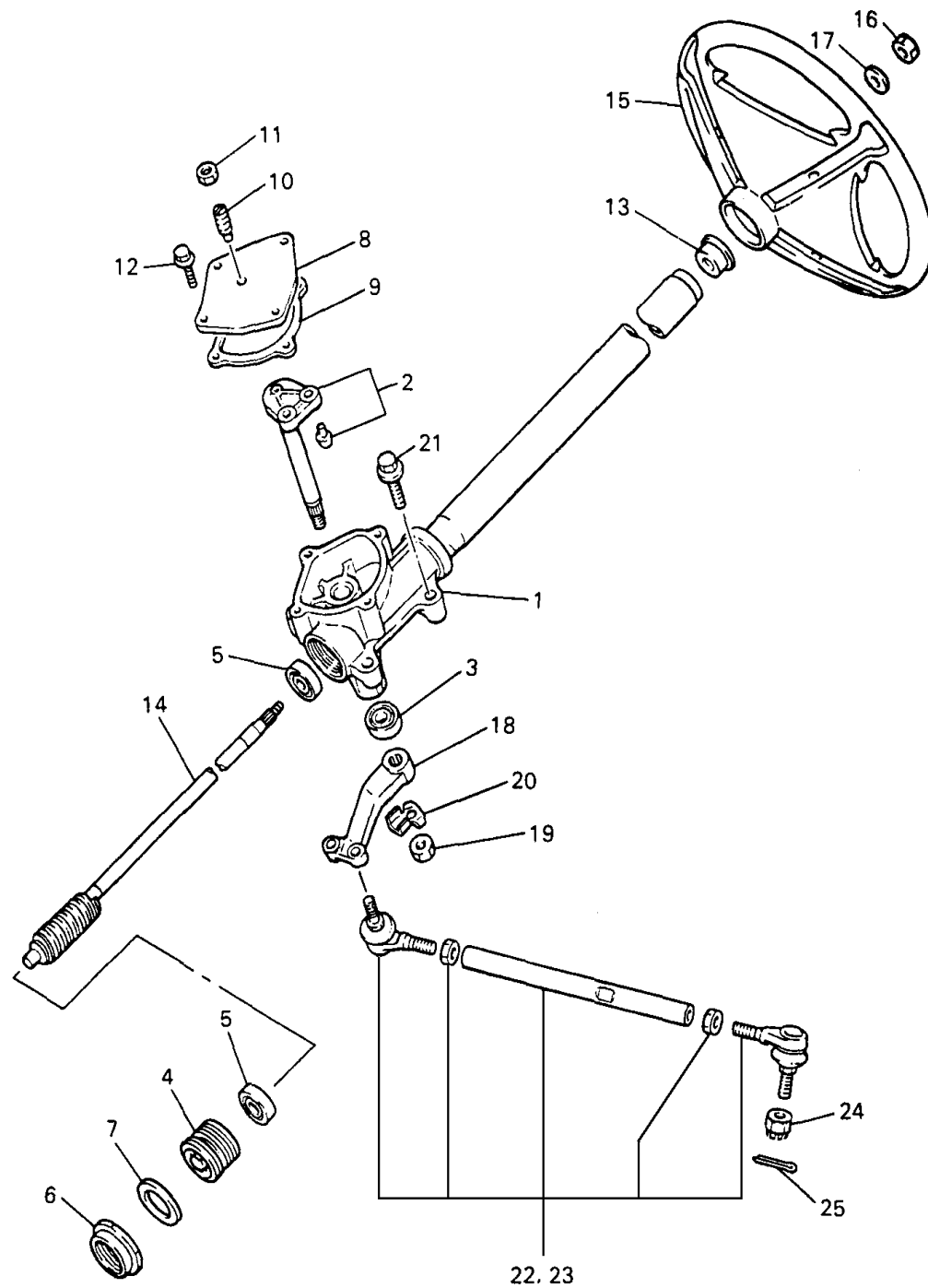


Ref. No.	Part Number	Description	Qty	Remarks
31	90105-10357-00	BOLT, FLANGE	4	
32	95617-10200-00	NUT, SELF-LOCKING	4	
33	91490-25020-00	PIN, COTTER	4	
34	JN4-F3350-00-00	CUSHION ASSEMBLY (JN4-F3350-10-00)	2	
35	95807-10065-00	BOLT, FLANGE	2	
36	95817-10050-00	BOLT, FLANGE	2	
37	95617-10200-00	NUT, SELF-LOCKING	4	
38	JG5-WF511-00-00	HUB	2	
39	90114-12800-00	BOLT, RIBBED NECK	8	
40	93306-204X0-00	BEARING	2	
41	93306-005Y3-00	BEARING	2	
42	90387-241M7-00	COLLAR	2	
43	93102-30083-00	OIL SEAL	2	
44	90209-32271-00	WASHER	2	
45	95607-14100-00	NUT, U	2	
46	91490-25020-00	PIN, COTTER	2	
47	J17-25118-00-00	COVER, HUB DUST	2	
48	JN6-F5100-11-00	FRONT WHEEL ASSEMBLY (JG5-F5100-00-00)	2	
49	90179-12262-00	NUT	8	

CONTENTS

ACCELERATOR	A11
BODY 1	B4-5
BODY 2	B6-7
BODY FITTING	B8
BRAKE 1	A7-8
BRAKE 2	A9
BRAKE 3	A10
BUMPER	B3
CARRIER	B9-10
CONTROLLER 1	C1
CONTROLLER 2	C2
ELECTRIC MOTOR	B12
ELECTRICAL 1	C3-4
FRAME	A3
FRONT SUSPENSION WHEEL	A4-5
OPTIONAL HUB CAPS	C5
OPTIONAL LIGHT KIT	C6
OPTIONAL LIGHT KIT STREAMLINE JU2	C7-8
OPTIONAL SUN ROOF JN3	C11
OPTIONAL SUN ROOF JN6	C12
OPTIONAL WINDSHIELD JN3	C9
OPTIONAL WINDSHIELD JN6	C10
REAR ARM SUSPENSION	A2
REAR WHEEL	B2
SEAT	B11
STEERING	A6
TRANSAXLE	A12 ,B1
-MODELS IN THIS CATALOG	D1

STEERING



NOTE A:
See any year G19E or G21A for individual Tie Rod components.

JN3300-5130

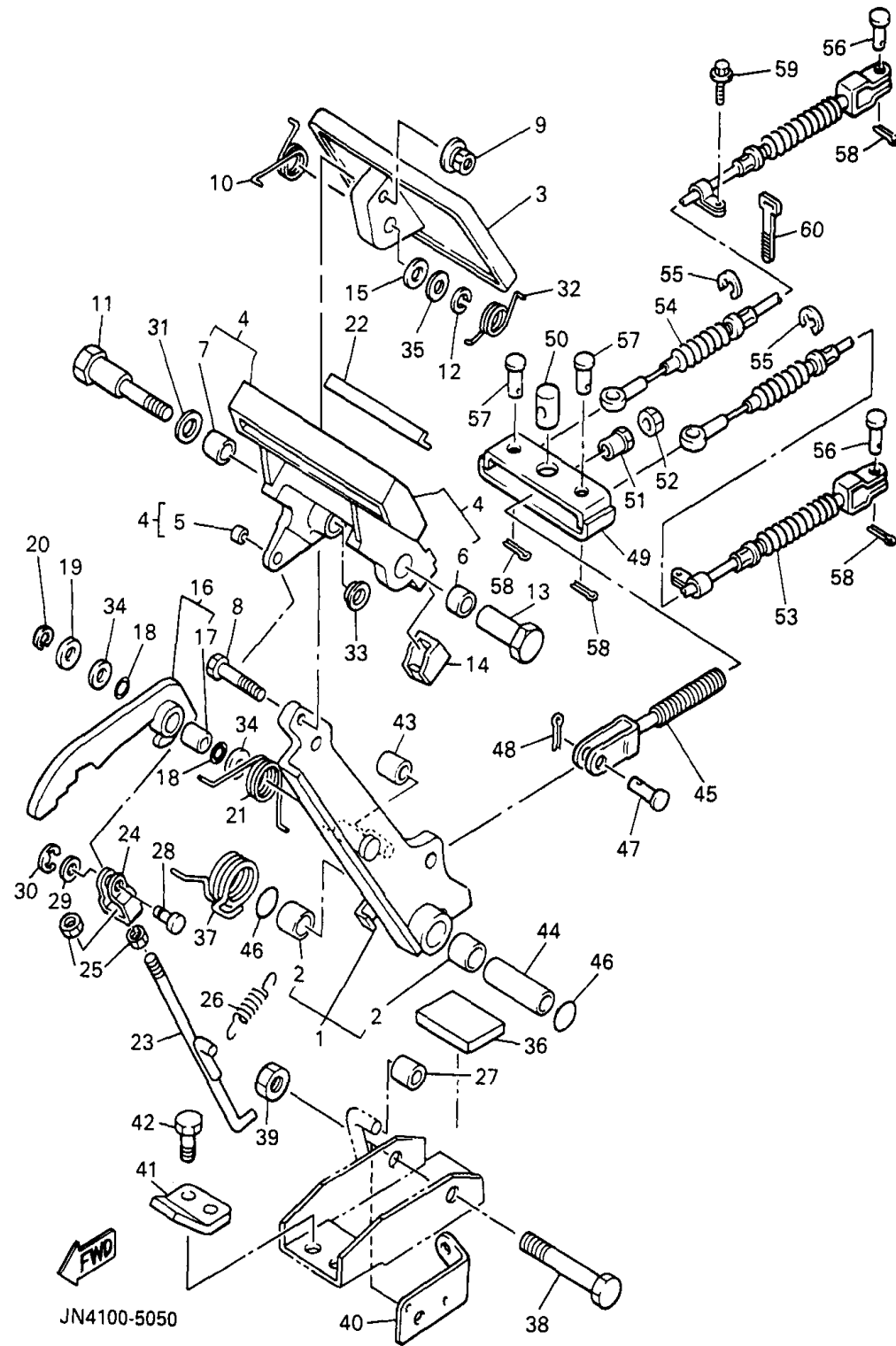
G14EP_EM

Ref. No.	Part Number	Description	Qty	Remarks
1	JG5-F3811-00-00	COLUMN, STEERING	1	
2	J38-23816-00-00	ARM, PITMAN	1	
3	93102-22314-00	SEAL, OIL	1	
4	J55-F3876-00-00	BOLT	1	
5	93332-000Y2-00	BEARING	2	
6	J10-23877-00-00	NUT	1	
7	J10-23444-00-00	WASHER	1	
8	JN3-F3818-00-00	COVER, STEERING	1	
9	J38-23462-00-00	SEAL, STEERING (J38-23462-01-00)	1	
10	J10-23459-00-00	BOLT	1	
11	90170-08024-00	NUT, HEX	1	
12	95817-06020-00	BOLT, FLANGE	4	
13	JN3-F3814-00-00	HOLDER, HANDLE	1	
14	J10-23840-00-00	STEERING SHAFT	1	
15	JN3-F3838-00-00	WHEEL, STEERING	1	
16	90185-12119-00	NUT, SELF-LOCKING	1	
17	92907-12200-00	WASHER, PLAIN	1	
18	J38-23826-01-00	ARM, IDLER	1	
19	95707-16300-00	NUT, NYLON	1	
20	90215-16252-00	WASHER, TONGUE	1	
21	95817-10050-00	BOLT, FLANGE	4	
22	JN6-F3830-11-00	TIE ROD ASSEMBLY, LEFT	1	SEE NOTE A
23	JN6-F3850-11-00	TIE ROD ASSEMBLY, RIGHT	1	SEE NOTE A
24	95617-10200-00	NUT, SELF-LOCKING	4	
25	91490-25020-00	PIN, COTTER	4	

CONTENTS

ACCELERATOR	A11
BODY 1	B4-5
BODY 2	B6-7
BODY FITTING	B8
BRAKE 1	A7-8
BRAKE 2	A9
BRAKE 3	A10
BUMPER	B3
CARRIER	B9-10
CONTROLLER 1	C1
CONTROLLER 2	C2
ELECTRIC MOTOR	B12
ELECTRICAL 1	C3-4
FRAME	A3
FRONT SUSPENSION WHEEL	A4-5
OPTIONAL HUB CAPS	C5
OPTIONAL LIGHT KIT	C6
OPTIONAL LIGHT KIT STREAMLINE JU2	C7-8
OPTIONAL SUN ROOF JN3	C11
OPTIONAL SUN ROOF JN6	C12
OPTIONAL WINDSHIELD JN3	C9
OPTIONAL WINDSHIELD JN6	C10
REAR ARM SUSPENSION	A2
REAR WHEEL	B2
SEAT	B11
STEERING	A6
TRANSAXLE	A12, B1
-MODELS IN THIS CATALOG	D1

BRAKE 1



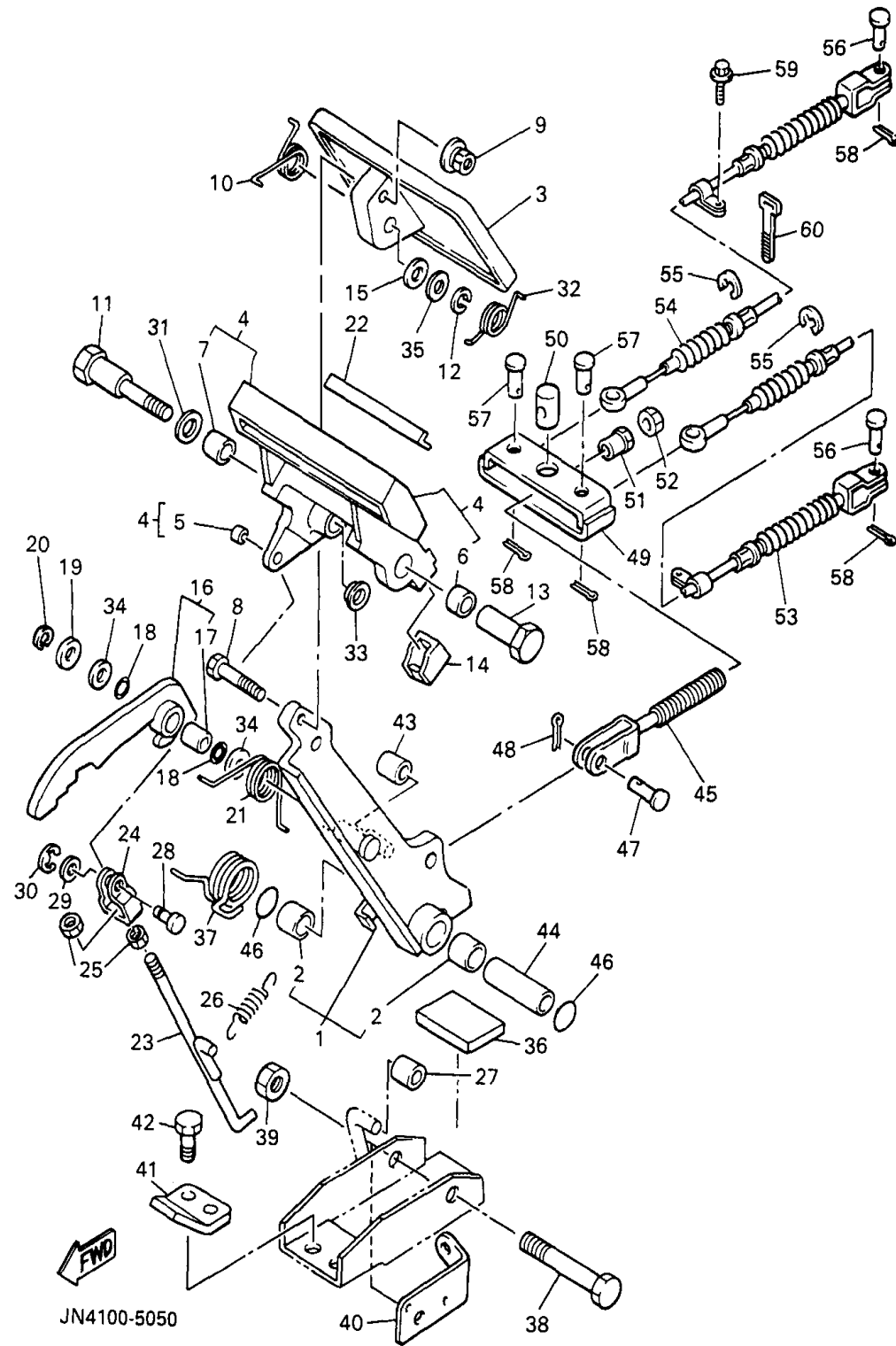
Ref. No.	Part Number	Description	Qty	Remarks
1	J46-27250-03-00	BRAKE ARM COMP.	1	
2	90384-14080-00	. BUSH, BIMETAL	2	
3	J10-27211-00-00	PEDAL, BRAKE	1	
4	J17-25670-01-00	PARKING BRAKE COMP.	1	
5	90384-05163-00	. BUSH, BIMETAL	1	
6	90384-12164-00	. BUSH, BIMETAL	1	
7	90380-12051-00	. BUSH, SOLID	1	
8	90101-06555-00	BOLT, HEX	1	
9	90179-07564-00	NUT	1	
10	90508-23542-00	SPRING, TORSION	1	
11	90109-08669-00	BOLT	1	
12	92907-08100-00	WASHER, SPRING	1	
13	90179-08378-00	NUT	1	
14	J17-25679-01-00	DAMPER	2	
15	92907-08200-00	WASHER, PLAIN	1	
16	J17-W2561-02-00	SECTOR, PARKING BRAKE ..	1	
17	90384-10162-00	. BUSH, BIMETAL	1	
18	J17-27221-00-00	SEAL, SHAFT	2	
19	92907-10600-00	WASHER, PLATE	1	
20	99080-07600-00	CIRCLIP (E)	1	
21	90508-14548-00	SPRING, TORSION	1	
22	J17-25672-01-00	PAD, PARKING	1	
23	J17-27231-03-00	ROD, BRAKE	1	
24	J17-27232-00-00	END, ROD	1	
25	95307-06700-00	NUT	2	
26	90506-12277-00	SPRING, TENSION	1	
27	J17-25673-00-00	DAMPER, BRAKE	1	
28	J17-27228-00-00	PIN, LINK JOINT	1	
29	92907-05600-00	WASHER, PLATE	1	
30	99080-04600-00	CIRCLIP (E)	1	

CONTENTS

ACCELERATOR	A11
BODY 1	B4-5
BODY 2	B6-7
BODY FITTING	B8
BRAKE 1	A7-8
BRAKE 2	A9
BRAKE 3	A10
BUMPER	B3
CARRIER	B9-10
CONTROLLER 1	C1
CONTROLLER 2	C2
ELECTRIC MOTOR	B12
ELECTRICAL 1	C3-4
FRAME	A3
FRONT SUSPENSION WHEEL	A4-5
OPTIONAL HUB CAPS	C5
OPTIONAL LIGHT KIT	C6
OPTIONAL LIGHT KIT STREAMLINE JU2	C7-8
OPTIONAL SUN ROOF JN3	C11
OPTIONAL SUN ROOF JN6	C12
OPTIONAL WINDSHIELD JN3	C9
OPTIONAL WINDSHIELD JN6	C10
REAR ARM SUSPENSION	A2
REAR WHEEL	B2
SEAT	B11
STEERING	A6
TRANSAXLE	A12, B1
-MODELS IN THIS CATALOG	D1

CONTINUED ON NEXT FRAME ►

BRAKE 1



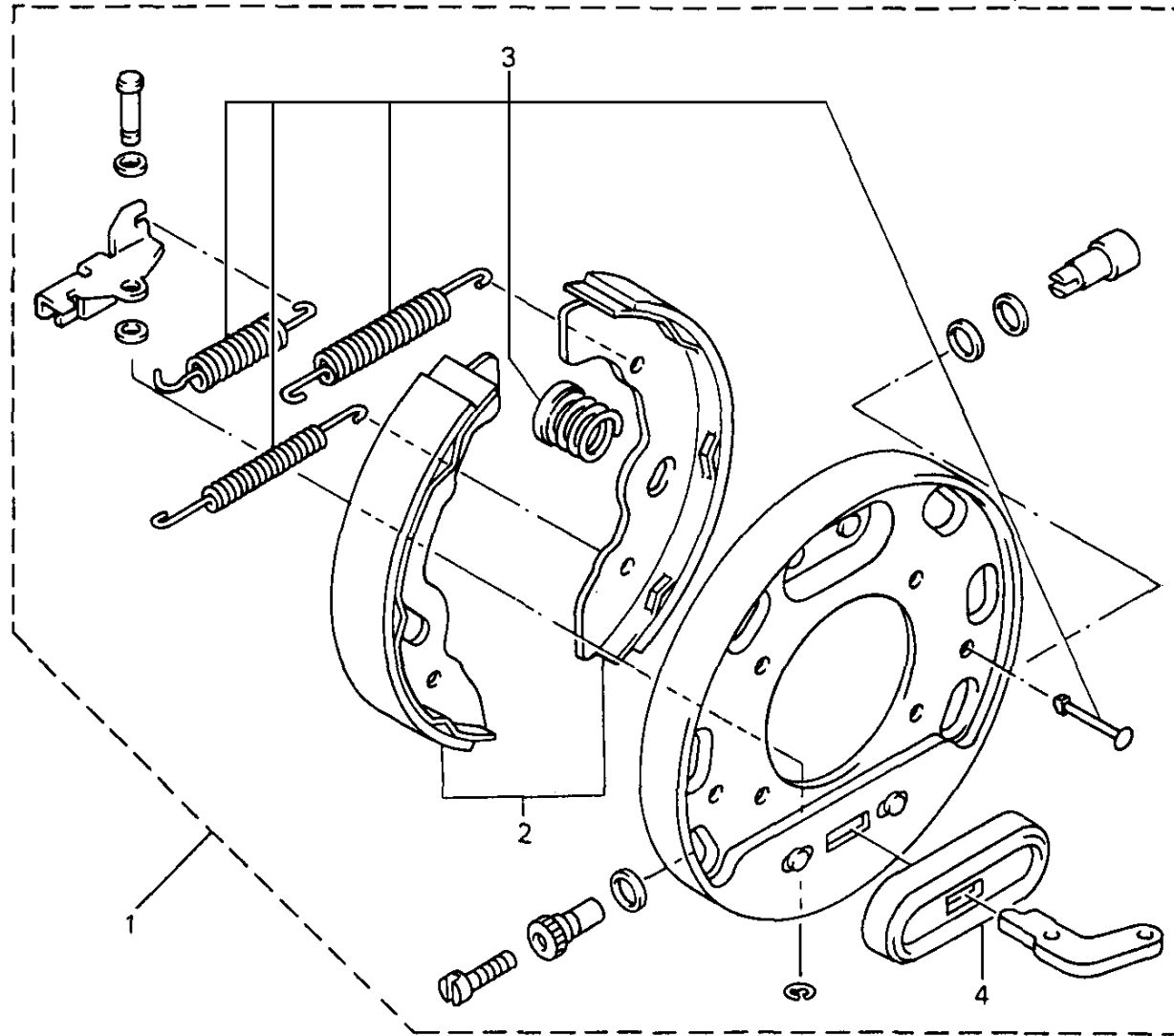
Ref. No.	Part Number	Description	Qty	Remarks
31	90201-123F2-00	WASHER, PLAIN	1	
32	90508-26557-00	SPRING, TORSION	1	
33	90380-12105-00	BUSH, SOLID	1	
34	90201-104G8-00	WASHER, PLAIN	2	
35	J55-27226-00-00	WASHER, LINK	1	
36	JN3-F7245-00-00	PAD, BRAKE PEDAL	1	
37	90508-405A9-00	SPRING, TORSION	1	
38	90101-10447-00	BOLT, HEX	1	
39	95617-10200-00	NUT, SELF-LOCKING	1	
40	J55-2252M-00-00	BRACKET	1	
41	J17-27246-00-00	NAIL, BRAKE	1	
42	95807-08020-00	BOLT, FLANGE	2	
43	J17-25673-00-00	DAMPER, BRAKE	1	
44	90387-107F8-00	COLLAR	1	
45	JF2-25685-00-00	ROD	1	
46	93210-132A8-00	O-RING	2	
47	91701-10022-00	PIN	1	
48	91490-30020-00	PIN, COTTER	1	
49	JF2-25681-00-00	EQUALIZER, BRAKE	1	
50	90249-14129-00	PIN	1	
51	90179-08261-00	NUT	1	
52	95307-08700-00	NUT, HEX	1	
53	JF2-F6341-10-00	WIRE, BRAKE 1	1	
54	JF2-F6351-10-00	WIRE, BRAKE	1	
55	99001-09600-00	CIRCLIP	4	
56	91701-08018-00	PIN	2	
57	91701-08026-00	PIN	2	
58	91490-25020-00	PIN, COTTER	4	
59	95807-06016-00	BOLT, FLANGE	2	
60	JF2-82591-00-00	BAND	1	

CONTENTS

ACCELERATOR	A11
BODY 1	B4-5
BODY 2	B6-7
BODY FITTING	B8
BRAKE 1	A7-8
BRAKE 2	A9
BRAKE 3	A10
BUMPER	B3
CARRIER	B9-10
CONTROLLER 1	C1
CONTROLLER 2	C2
ELECTRIC MOTOR	B12
ELECTRICAL 1	C3-4
FRAME	A3
FRONT SUSPENSION WHEEL	A4-5
OPTIONAL HUB CAPS	C5
OPTIONAL LIGHT KIT	C6
OPTIONAL LIGHT KIT STREAMLINE JU2	C7-8
OPTIONAL SUN ROOF JN3	C11
OPTIONAL SUN ROOF JN6	C12
OPTIONAL WINDSHIELD JN3	C9
OPTIONAL WINDSHIELD JN6	C10
REAR ARM SUSPENSION	A2
REAR WHEEL	B2
SEAT	B11
STEERING	A6
TRANSAXLE	A12 ,B1
-MODELS IN THIS CATALOG	D1

BRAKE 2

Ref. No.	Part Number	Description	Qty	Remarks
1	JN6-F7280-03-00	BACKING PLATE, (RH)	1	
2	JN6-F5331-01-00	. SHOE, BRAKE SET	1	
3	JG5-F819G-00-00	. REPAIR PARTS KIT	1	
4	JN6-F7286-00-00	. COVER, DUST	1	



CONTENTS

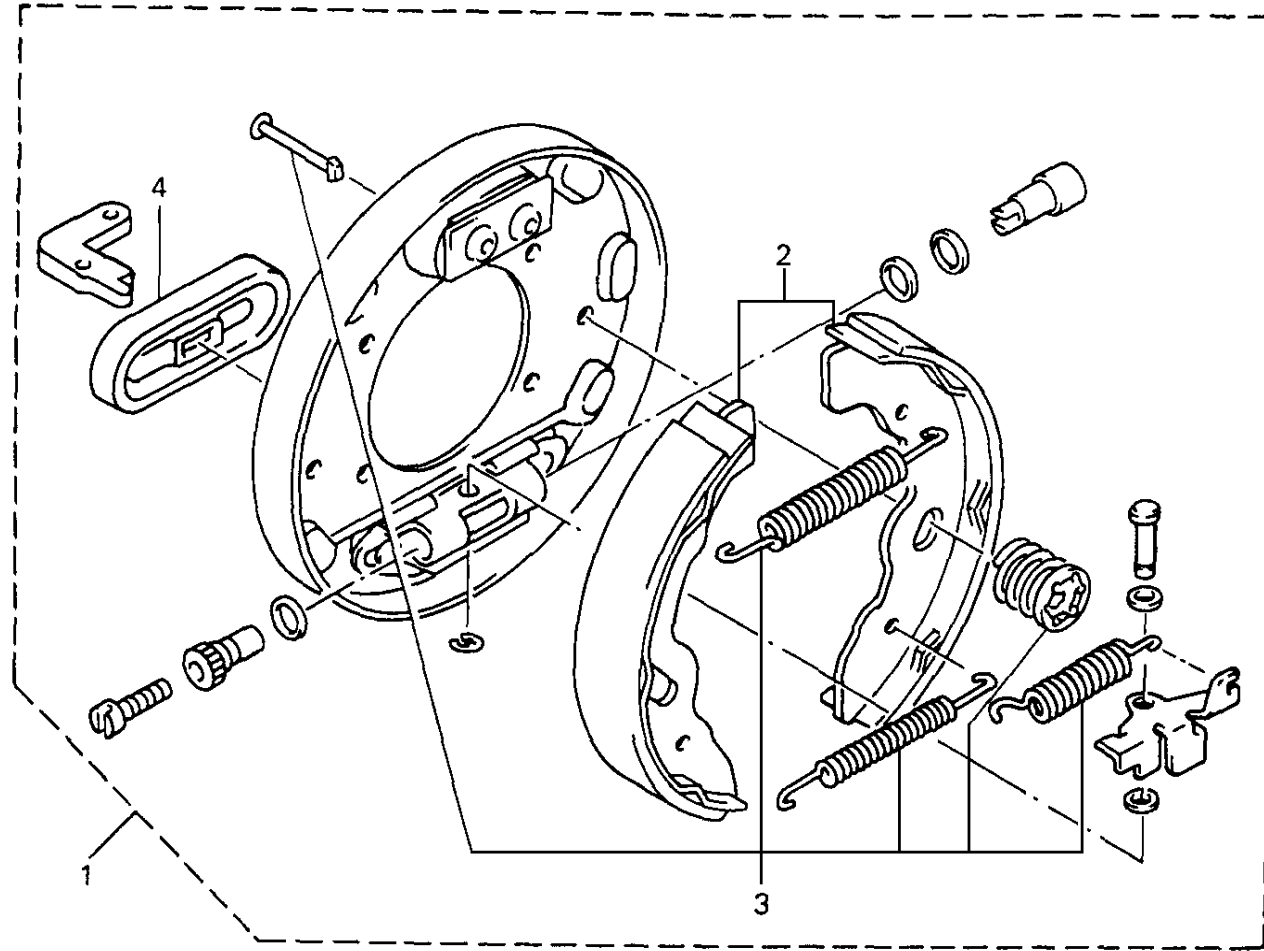
ACCELERATOR	A11
BODY 1	B4-5
BODY 2	B6-7
BODY FITTING	B8
BRAKE 1	A7-8
BRAKE 2	A9
BRAKE 3	A10
BUMPER	B3
CARRIER	B9-10
CONTROLLER 1	C1
CONTROLLER 2	C2
ELECTRIC MOTOR	B12
ELECTRICAL 1	C3-4
FRAME	A3
FRONT SUSPENSION WHEEL	A4-5
OPTIONAL HUB CAPS	C5
OPTIONAL LIGHT KIT	C6
OPTIONAL LIGHT KIT	C7-8
STREAMLINE JU2	
OPTIONAL SUN ROOF JN3	C11
OPTIONAL SUN ROOF JN6	C12
OPTIONAL WINDSHIELD JN3	C9
OPTIONAL WINDSHIELD JN6	C10
REAR ARM SUSPENSION	A2
REAR WHEEL	B2
SEAT	B11
STEERING	A6
TRANSAXLE	A12 ,B1
-MODELS IN THIS CATALOG	D1



JN4100-5060

BRAKE 3

Ref. No.	Part Number	Description	Qty	Remarks
1	JN6-F7290-03-00	BACKING PLATE, LEFT	1	
2	JN6-F5331-01-00	. SHOE, BRAKE SET	1	
3	JG5-F819G-00-00	. REPAIR PARTS KIT	1	
4	JN6-F7286-00-00	. COVER, DUST	1	



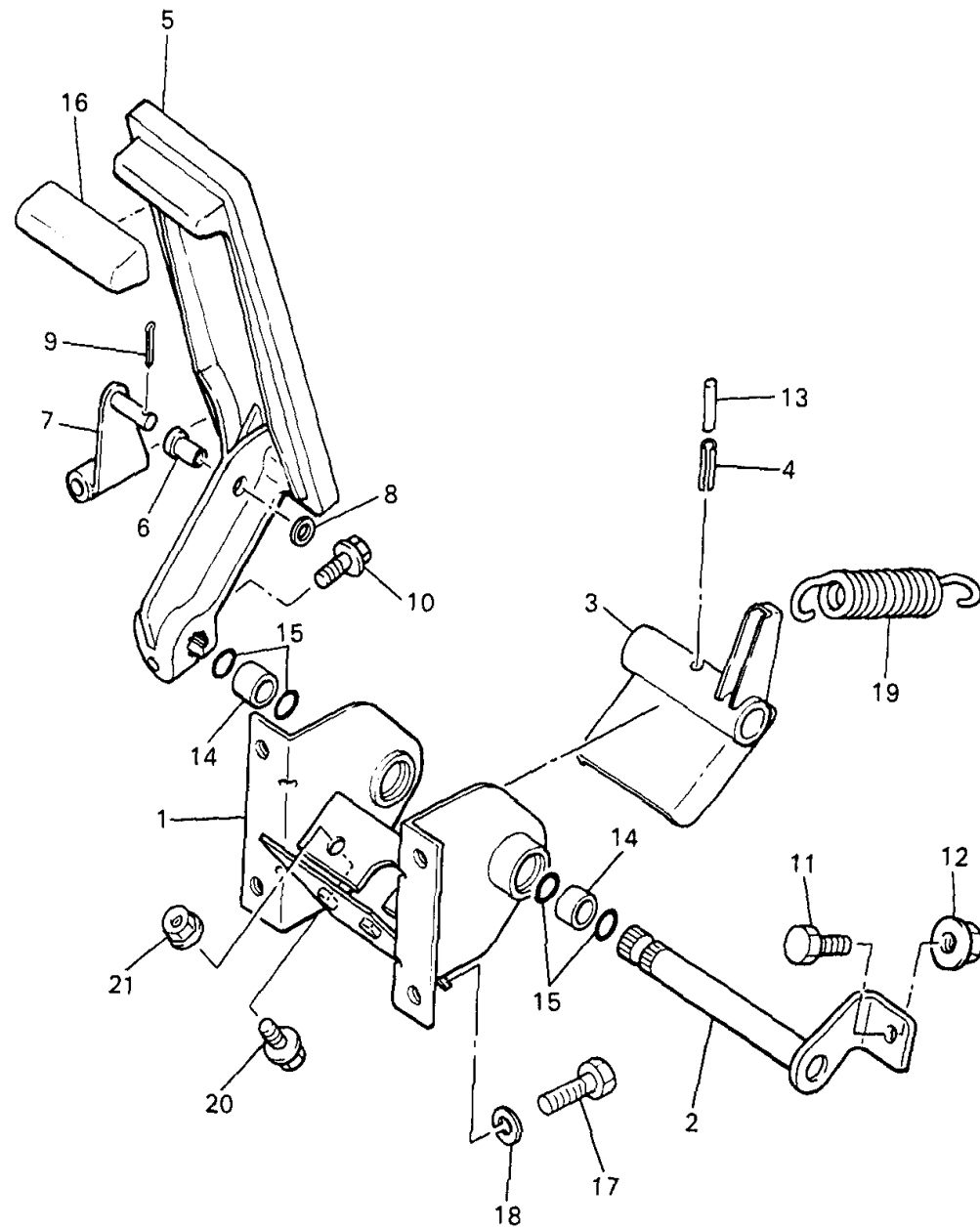
CONTENTS

ACCELERATOR	A11
BODY 1	B4-5
BODY 2	B6-7
BODY FITTING	B8
BRAKE 1	A7-8
BRAKE 2	A9
BRAKE 3	A10
BUMPER	B3
CARRIER	B9-10
CONTROLLER 1	C1
CONTROLLER 2	C2
ELECTRIC MOTOR	B12
ELECTRICAL 1	C3-4
FRAME	A3
FRONT SUSPENSION WHEEL	A4-5
OPTIONAL HUB CAPS	C5
OPTIONAL LIGHT KIT	C6
OPTIONAL LIGHT KIT	
STREAMLINE JU2	C7-8
OPTIONAL SUN ROOF JN3	C11
OPTIONAL SUN ROOF JN6	C12
OPTIONAL WINDSHIELD JN3	C9
OPTIONAL WINDSHIELD JN6	C10
REAR ARM SUSPENSION	A2
REAR WHEEL	B2
SEAT	B11
STEERING	A6
TRANSAXLE	A12 ,B1
-MODELS IN THIS CATALOG	D1



JN4100-5070

ACCELERATOR



Ref. No.	Part Number	Description	Qty	Remarks
1	JN4-27874-00-00	BRACKET, ACCELERATOR PEDAL	1	
2	J17-27853-01-00	SHAFT, PEDAL	1	
3	J22-27872-00-00	ARM, ACCELERATOR	1	
4	91609-60028-00	PIN, SPRING	1	
5	JF3-27871-00-00	PEDAL, ACCELERATOR	1	
6	90381-06033-00	BUSH, SOLID	1	
7	J14-27815-00-00	LEVER, CRANK	1	
8	92907-06600-00	WASHER, PLATE	1	
9	91490-20025-00	PIN, SPLIT	1	
10	95817-06025-00	BOLT, FLANGE	1	
11	90106-08040-00	BOLT, RD. HEX	1	
12	95707-08500-00	NUT, FLANGE	1	
13	91609-35028-00	PIN, SPRING	1	
14	90384-14080-00	BUSH, BIMETAL	2	
15	93210-14104-00	O-RING	4	
16	JN3-F7854-00-00	COVER, PEDAL	1	
17	97017-06016-00	BOLT	4	
18	92907-06100-00	WASHER, SPRING	4	
19	90506-26282-00	SPRING, TENSION	1	
20	95817-06025-00	BOLT, FLANGE	1	
21	95707-06500-00	NUT, FLANGE	1	

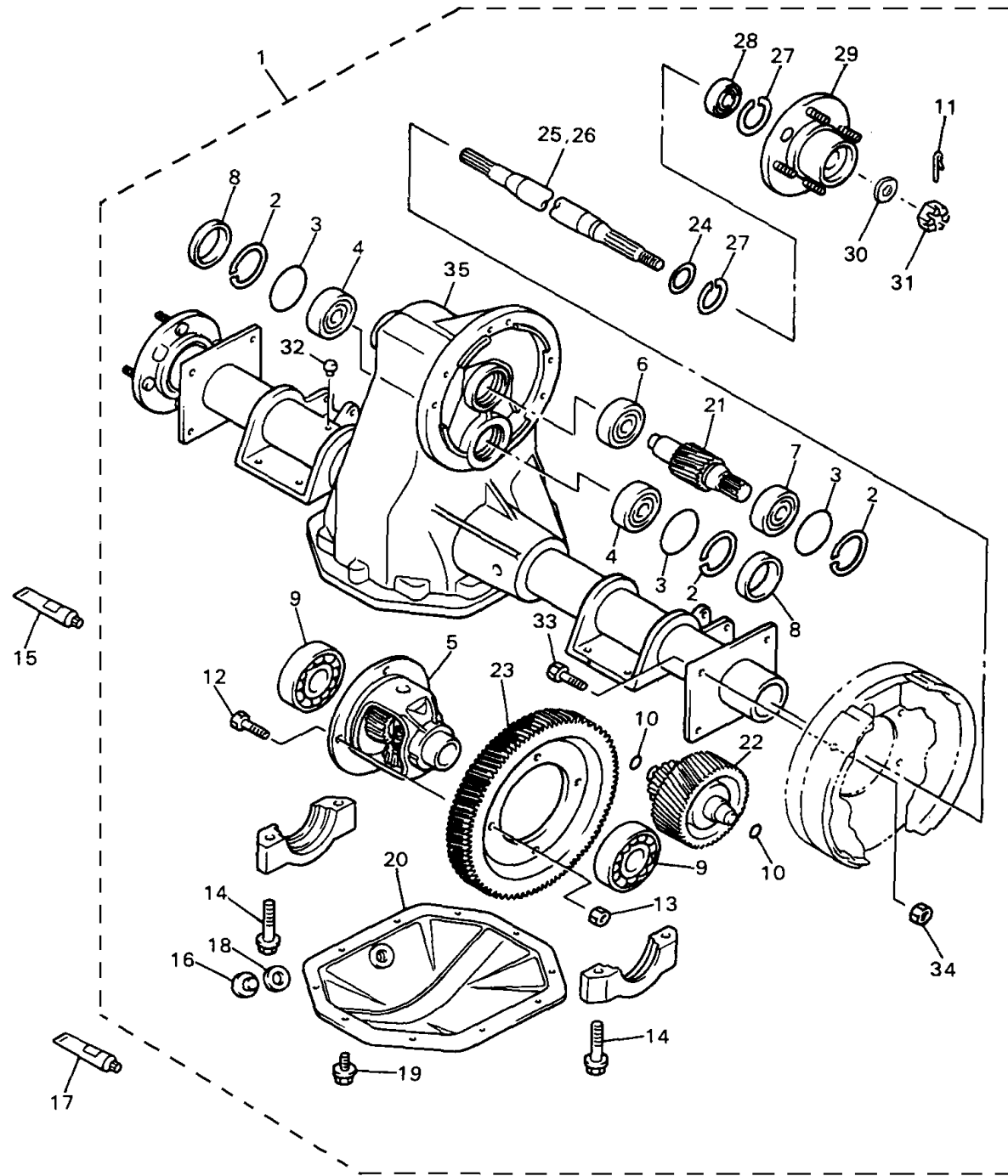
CONTENTS

ACCELERATOR	A11
BODY 1	B4-5
BODY 2	B6-7
BODY FITTING	B8
BRAKE 1	A7-8
BRAKE 2	A9
BRAKE 3	A10
BUMPER	B3
CARRIER	B9-10
CONTROLLER 1	C1
CONTROLLER 2	C2
ELECTRIC MOTOR	B12
ELECTRICAL 1	C3-4
FRAME	A3
FRONT SUSPENSION WHEEL	A4-5
OPTIONAL HUB CAPS	C5
OPTIONAL LIGHT KIT	C6
OPTIONAL LIGHT KIT	C6
STREAMLINE JU2	C7-8
OPTIONAL SUN ROOF JN3	C11
OPTIONAL SUN ROOF JN6	C12
OPTIONAL WINDSHIELD JN3	C9
OPTIONAL WINDSHIELD JN6	C10
REAR ARM SUSPENSION	A2
REAR WHEEL	B2
SEAT	B11
STEERING	A6
TRANSAXLE	A12 ,B1
-MODELS IN THIS CATALOG	D1



JN4100-5080

TRANSAXLE



Ref. No.	Part Number	Description	Qty	Remarks
1	JR1-G6300-05-00	TRANSAXLE ASSY	1	
2	93420-50804-00	. CIRCLIP	3	
3	93210-478B8-00	. O-RING	3	
4	93306-303Y6-00	. BEARING	2	
5	JN3-G6410-00-00	. DIFFERENTIAL ASSEMBLY	1	
6	93306-203X1-00	. BEARING	1	
7	93306-005Y1-00	. BEARING	1	
8	JH7-G3396-00-00	. PLUG, BLIND	2	
9	93306-007Y0-00	. BEARING	2	
10	93210-148B9-00	. O-RING	2	
11	91490-25030-00	. PIN, COTTER	2	
12	90101-10854-00	. BOLT, HEX	4	
13	90170-10840-00	. NUT, HEX	4	
14	90105-10840-00	. BOLT, FLANGE	4	
15	ACC-YAMAB-ON-D5	SEALANT	1	
16	JH7-G5341-00-00	. PLUG, FILL/CHECK	1	
17	ACC-QUICK-GS-KT	SEALANT	1	
18	90201-158E0-00	. WASHER, PLATE	1	
19	90101-08856-00	. BOLT, HEX	10	
20	JH7-G6312-00-00	. CASE, TRANSMISSION 2	1	
21	JH7-G6321-00-00	. SHAFT, INPUT	1	
22	JH7-G6350-00-00	. COUNTER GEAR	1	
23	JH7-G6421-00-00	. GEAR, RING	1	
24	93101-24822-00	. OIL SEAL	2	
25	JF3-G6512-01-00	. SHAFT, RR. AXLE, RIGHT	1	
26	JF3-G6511-01-00	. SHAFT, RR. AXLE, LEFT	1	
27	93420-44805-00	. CIRCLIP	4	
28	93306-004X5-00	. BEARING	2	
29	JN3-G6514-00-00	. HUB, REAR AXLE	2	
30	90201-198E1-00	. WASHER	1	~JN4-200100

CONTENTS

ACCELERATOR	A11
BODY 1	B4-5
BODY 2	B6-7
BODY FITTING	B8
BRAKE 1	A7-8
BRAKE 2	A9
BRAKE 3	A10
BUMPER	B3
CARRIER	B9-10
CONTROLLER 1	C1
CONTROLLER 2	C2
ELECTRIC MOTOR	B12
ELECTRICAL 1	C3-4
FRAME	A3
FRONT SUSPENSION WHEEL	A4-5
OPTIONAL HUB CAPS	C5
OPTIONAL LIGHT KIT	C6
OPTIONAL LIGHT KIT	
STREAMLINE JU2	C7-8
OPTIONAL SUN ROOF JN3	C11
OPTIONAL SUN ROOF JN6	C12
OPTIONAL WINDSHIELD JN3	C9
OPTIONAL WINDSHIELD JN6	C10
REAR ARM SUSPENSION	A2
REAR WHEEL	B2
SEAT	B11
STEERING	A6
TRANSAXLE	A12, B1
~MODELS IN THIS CATALOG	D1

CONTINUED ON NEXT FRAME ►

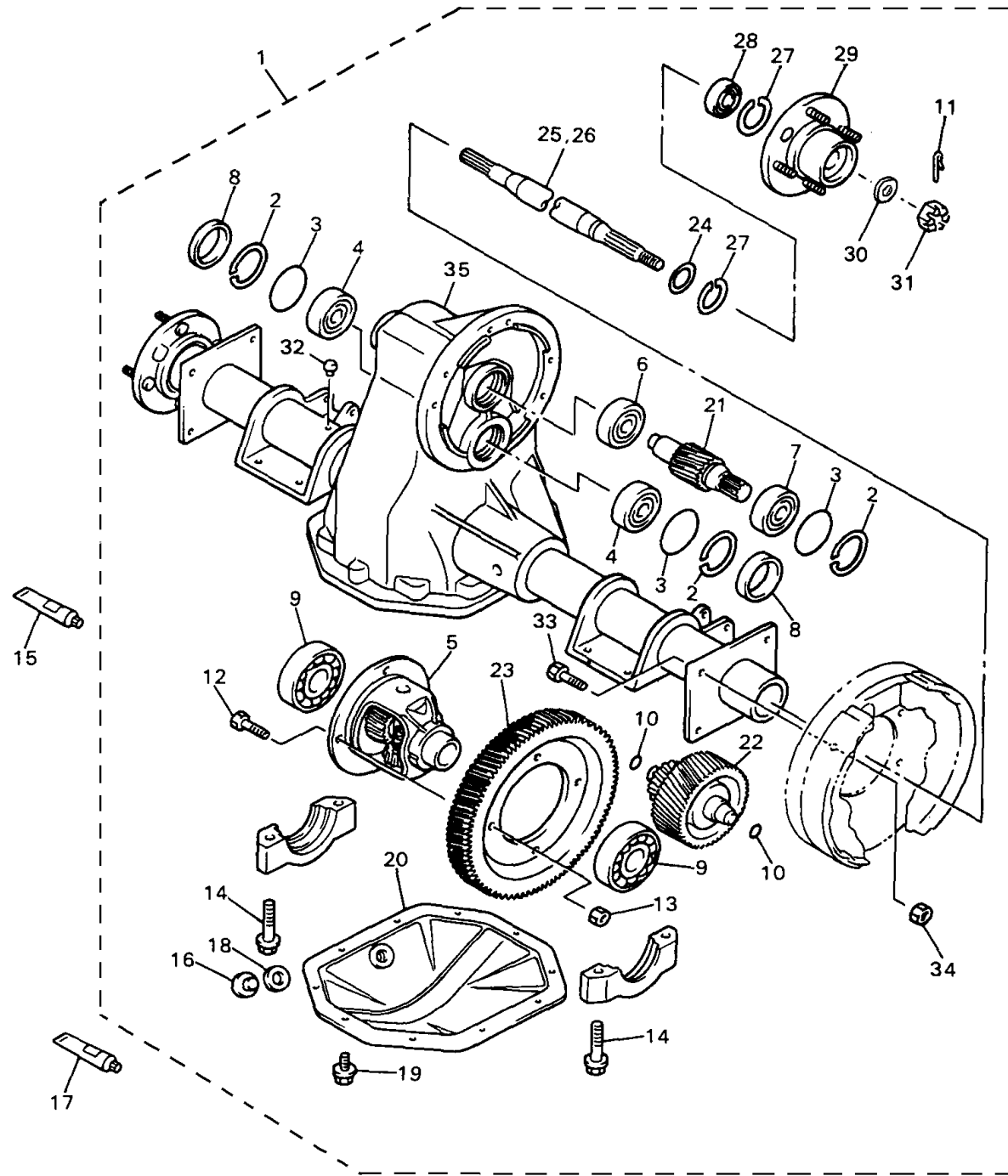

JH7110-3220

TRANSAXLE

Ref. No.	Part Number	Description	Qty	Remarks
31	90171-16813-00	. NUT	2	
32	JH7-G5619-00-00	. CAP	1	
33	90101-08855-00	. BOLT, HEX	8	
34	90170-08841-00	. NUT, HEX	8	
35	JN4-G6310-00-00	. CASE ASSEMBLY.	1	

CONTENTS

ACCELERATOR	A11
BODY 1	B4-5
BODY 2	B6-7
BODY FITTING	B8
BRAKE 1	A7-8
BRAKE 2	A9
BRAKE 3	A10
BUMPER	B3
CARRIER	B9-10
CONTROLLER 1	C1
CONTROLLER 2	C2
ELECTRIC MOTOR	B12
ELECTRICAL 1	C3-4
FRAME	A3
FRONT SUSPENSION WHEEL	A4-5
OPTIONAL HUB CAPS	C5
OPTIONAL LIGHT KIT	C6
OPTIONAL LIGHT KIT STREAMLINE JU2	C7-8
OPTIONAL SUN ROOF JN3	C11
OPTIONAL SUN ROOF JN6	C12
OPTIONAL WINDSHIELD JN3	C9
OPTIONAL WINDSHIELD JN6	C10
REAR ARM SUSPENSION	A2
REAR WHEEL	B2
SEAT	B11
STEERING	A6
TRANSAXLE	A12 ,B1
-MODELS IN THIS CATALOG	D1



JH7110-3220

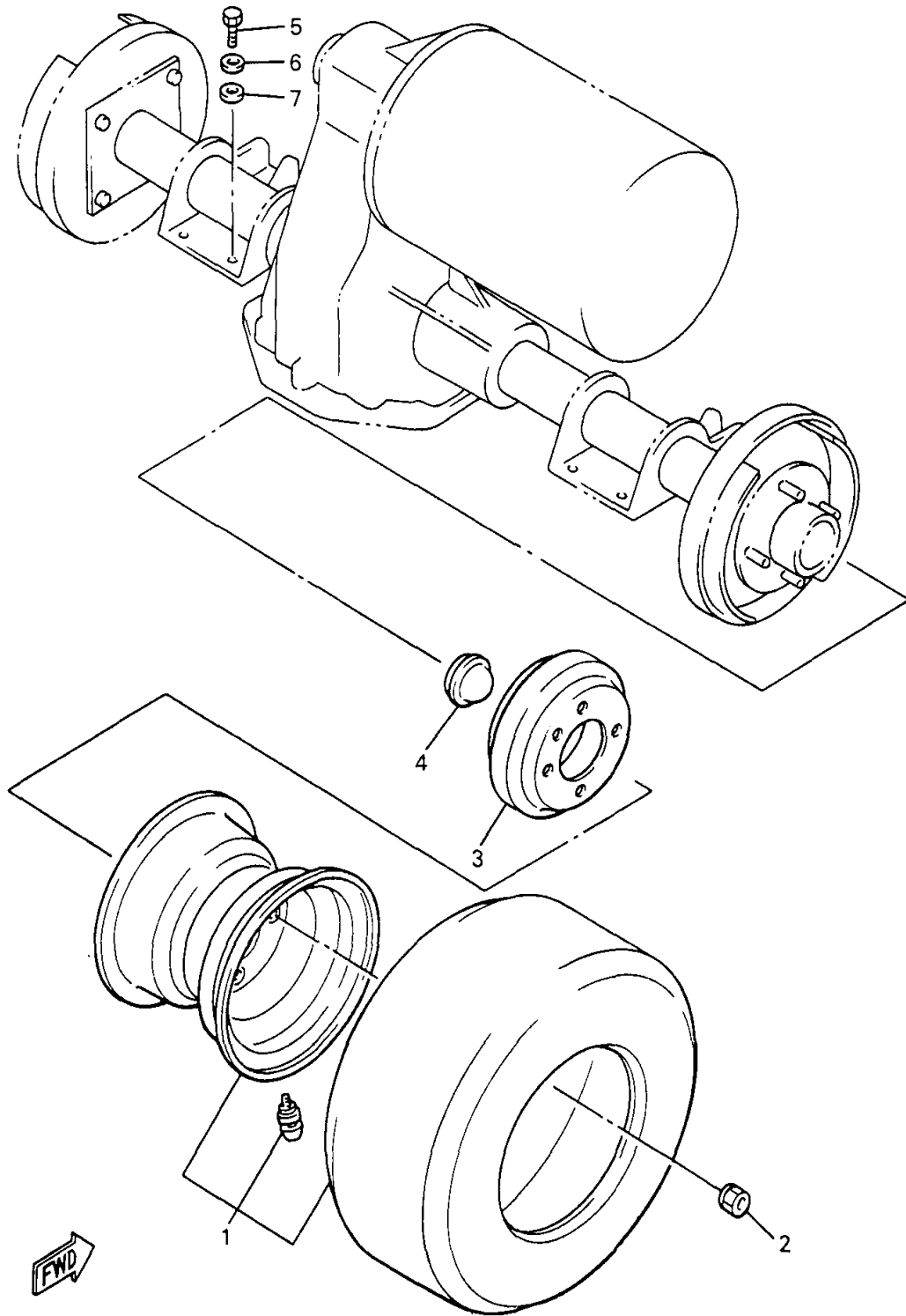
B1

REAR WHEEL

Ref. No.	Part Number	Description	Qty	Remarks
1	JN6-F5100-11-00	FRONT WHEEL ASSEMBLY (JG5-F5100-00-00)	2	
2	90179-12262-00	NUT	8	
3	J55-G6521-00-00	DRUM	2	
4	J17-25118-00-00	COVER, HUB DUST	2	
5	97017-10020-00	BOLT	8	
6	92907-10100-00	WASHER, SPRING	8	
7	92907-10600-00	WASHER, PLATE	8	

CONTENTS

ACCELERATOR	A11
BODY 1	B4-5
BODY 2	B6-7
BODY FITTING	B8
BRAKE 1	A7-8
BRAKE 2	A9
BRAKE 3	A10
BUMPER	B3
CARRIER	B9-10
CONTROLLER 1	C1
CONTROLLER 2	C2
ELECTRIC MOTOR	B12
ELECTRICAL 1	C3-4
FRAME	A3
FRONT SUSPENSION WHEEL	A4-5
OPTIONAL HUB CAPS	C5
OPTIONAL LIGHT KIT	C6
OPTIONAL LIGHT KIT STREAMLINE JU2	C7-8
OPTIONAL SUN ROOF JN3	C11
OPTIONAL SUN ROOF JN6	C12
OPTIONAL WINDSHIELD JN3	C9
OPTIONAL WINDSHIELD JN6	C10
REAR ARM SUSPENSION	A2
REAR WHEEL	B2
SEAT	B11
STEERING	A6
TRANSAXLE	A12 ,B1
-MODELS IN THIS CATALOG	D1



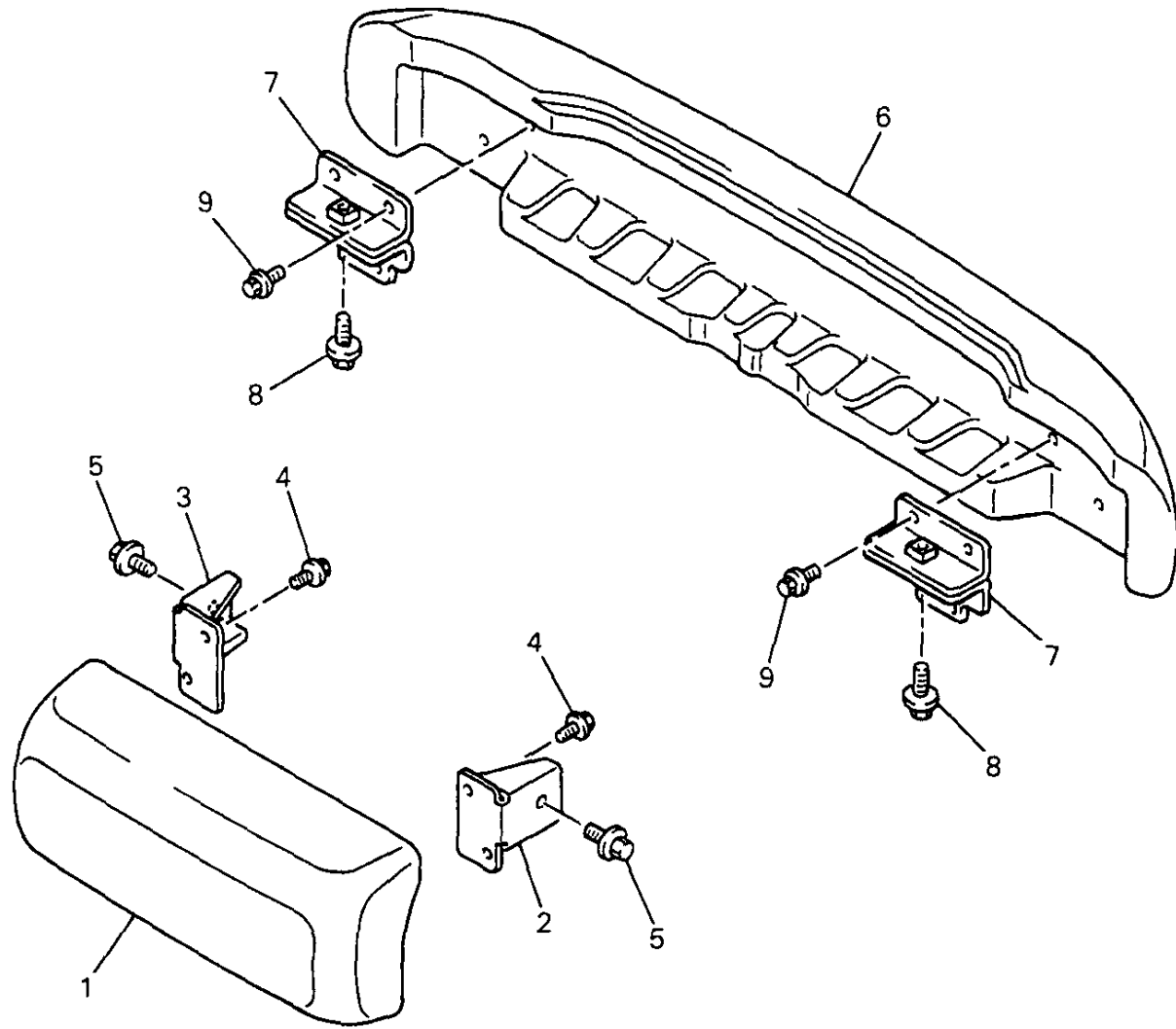
JN4100-5100

BUMPER

Ref. No.	Part Number	Description	Qty	Remarks
1	JN3-K7510-00-00	FRONT BUMPER COMP.	1	
2	JN3-K8164-00-00	STAY, FRONT BUMPER	1	
3	JN3-K8165-00-00	STAY, FRONT BUMPER	1	
4	95817-06016-00	BOLT, FLANGE	4	
5	95817-08016-00	BOLT, FLANGE	2	
6	JN3-K7540-00-00	REAR BUMPER	1	
7	JN3-K8174-00-00	STAY, REAR BUMPER	2	
8	95817-10020-00	BOLT, FLANGE	2	
9	95817-06016-00	BOLT, FLANGE	4	

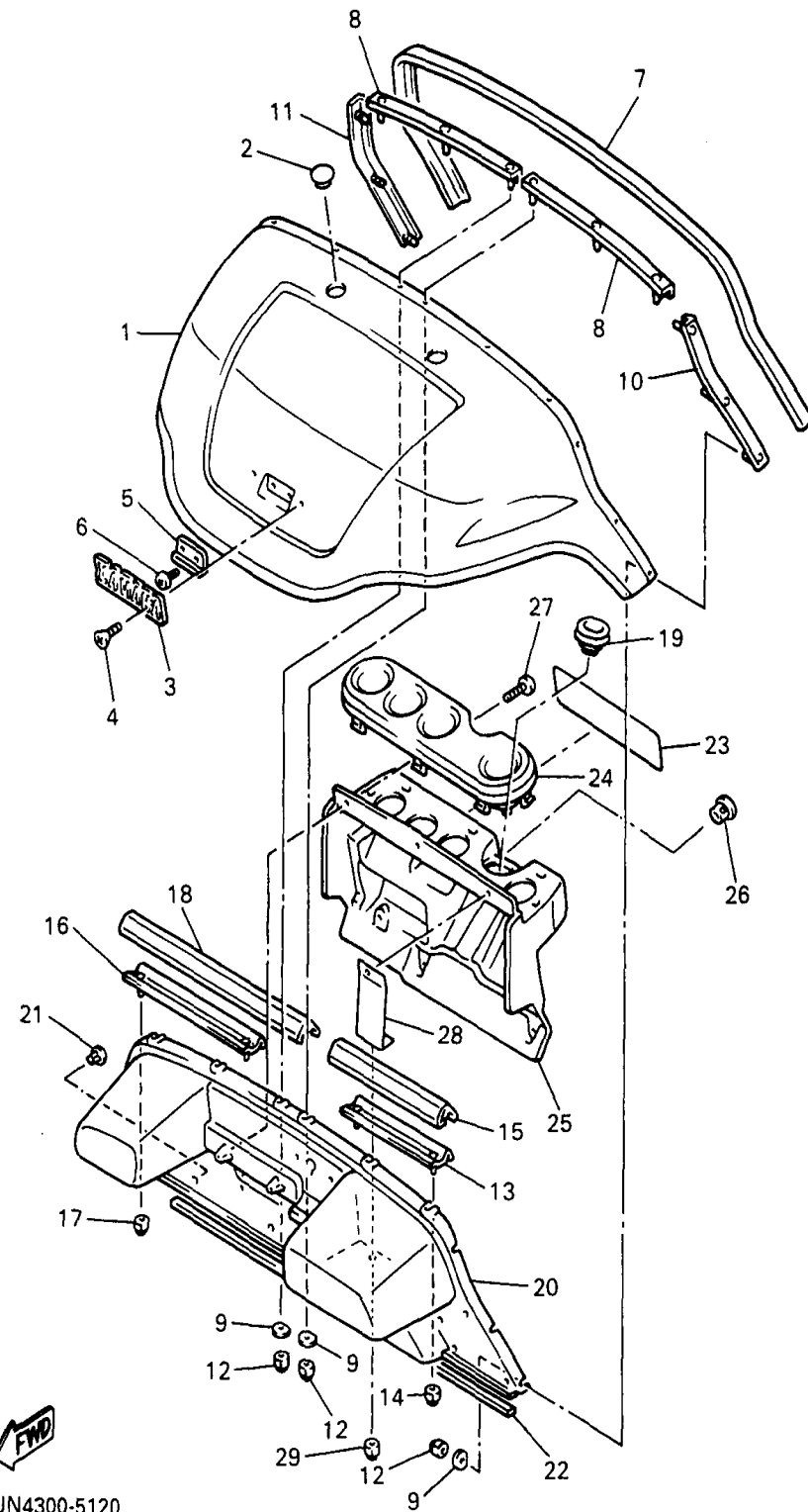
CONTENTS

ACCELERATOR	A11
BODY 1	B4-5
BODY 2	B6-7
BODY FITTING	B8
BRAKE 1	A7-8
BRAKE 2	A9
BRAKE 3	A10
BUMPER	B3
CARRIER	B9-10
CONTROLLER 1	C1
CONTROLLER 2	C2
ELECTRIC MOTOR	B12
ELECTRICAL 1	C3-4
FRAME	A3
FRONT SUSPENSION WHEEL	A4-5
OPTIONAL HUB CAPS	C5
OPTIONAL LIGHT KIT	C6
OPTIONAL LIGHT KIT STREAMLINE JU2	C7-8
OPTIONAL SUN ROOF JN3	C11
OPTIONAL SUN ROOF JN6	C12
OPTIONAL WINDSHIELD JN3	C9
OPTIONAL WINDSHIELD JN6	C10
REAR ARM SUSPENSION	A2
REAR WHEEL	B2
SEAT	B11
STEERING	A6
TRANSAXLE	A12 ,B1
-MODELS IN THIS CATALOG	D1



JN3100-5240

BODY 1



JN4300-5120

G14EP_EM

Ref. No.	Part Number	Description	Qty	Remarks
1	JN3-K8115-00-00	COWL, FRONT	1	STD (IVORY WHITE 09E)
	JN3-K8115-10-00	COWL, FRONT	1	UR (SUNFEST RED 391)
	JN3-K8115-20-00	COWL, FRONT	1	UR (KINGSTON GRAY 483)
	JN3-K8115-30-00	COWL, FRONT	1	UR (COASTA TEAL 519)
2	JN3-K818E-00-00	CAP, PROTECTOR	2	
3	J38-24161-00-00	EMBLEM 1	1	
4	90162-04002-00	SCREW, OVAL C	2	
5	JF2-K811G-00-00	BOLT, COWL FITTING	1	
6	98980-06016-00	SCREW, BINDING	2	
7	JF2-K811V-00-00	PROTECTOR	1	
8	JF2-K8261-00-00	PLATE, BODY PROTECTOR ..	2	
9	JN3-K8117-00-00	PLATE	12	
10	JF2-K8262-00-00	PLATE, BODY PROTECTOR ..	1	
11	JF2-K8263-00-00	PLATE, BODY PROTECTOR ..	1	
12	95380-06800-00	NUT	12	
13	JN3-K8264-00-00	PLATE, BODY PROTECT 4 ...	1	
14	95607-06200-00	NUT, SELF U-FLANGE	2	
15	JN3-K811W-00-00	PROTECTOR 2	1	
16	JN3-K8265-00-00	PLATE, BODY PROTECT 5 ...	1	
17	95607-06200-00	NUT, SELF U-FLANGE	2	
18	JN3-K811X-00-00	PROTECTOR 3	1	
19	JN3-K8273-00-00	COVER, HOLE	1	
20	JF2-K8114-02-00	PANEL, FRONT	1	
21	90269-08069-00	RIVET	3	
22	JN3-K815G-00-00	SEAL, FRONT STORAGE	1	
23	JN4-K7768-00-00	LABEL, WARNING 8	1	UR
24	JN3-K835E-00-00	HOLDER, BEVERAGE	1	

CONTINUED ON NEXT FRAME >

CONTENTS

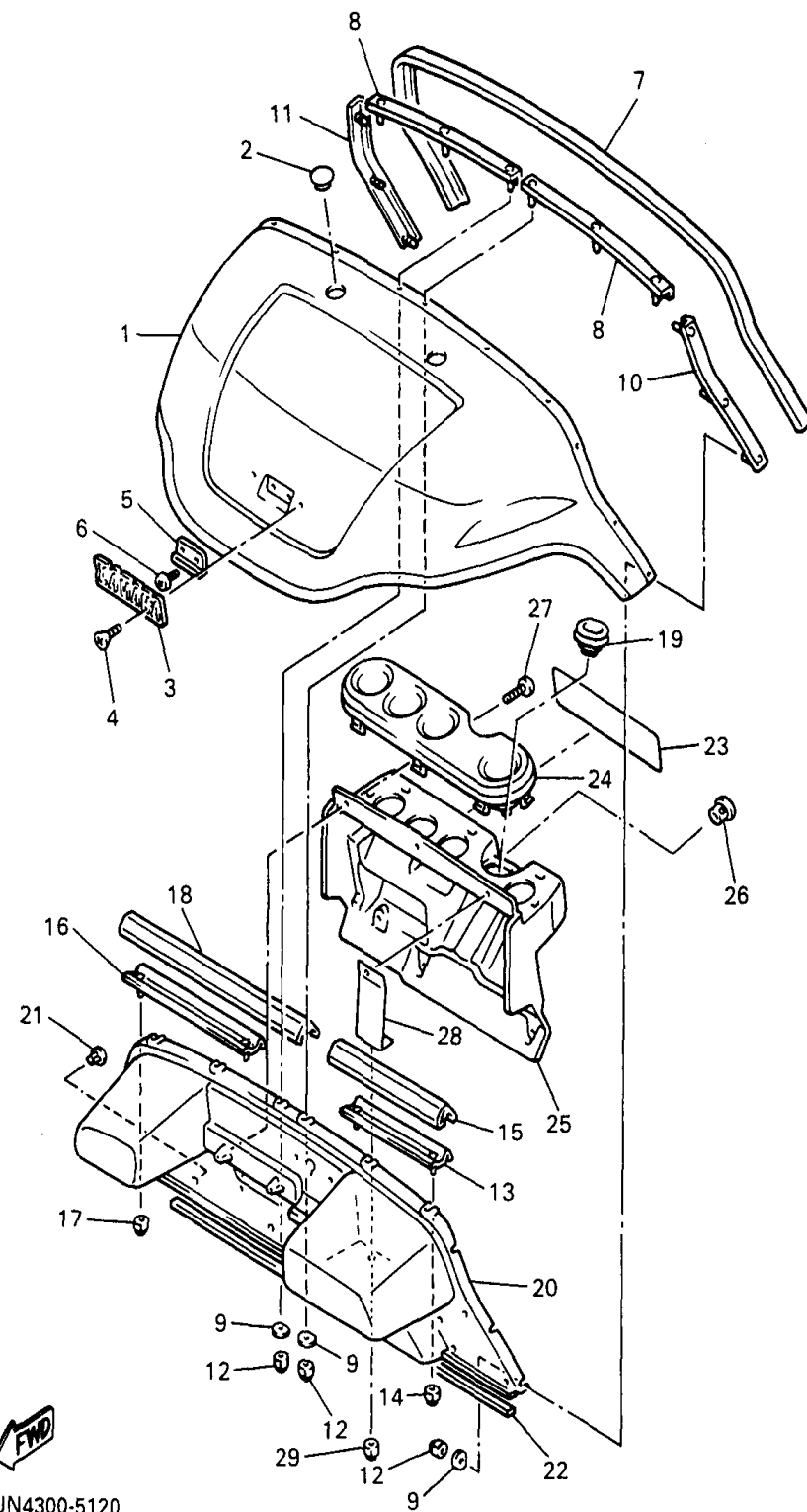
ACCELERATOR	A11
BODY 1	B4-5
BODY 2	B6-7
BODY FITTING	B8
BRAKE 1	A7-8
BRAKE 2	A9
BRAKE 3	A10
BUMPER	B3
CARRIER	B9-10
CONTROLLER 1	C1
CONTROLLER 2	C2
ELECTRIC MOTOR	B12
ELECTRICAL 1	C3-4
FRAME	A3
FRONT SUSPENSION WHEEL	A4-5
OPTIONAL HUB CAPS	C5
OPTIONAL LIGHT KIT	C6
OPTIONAL LIGHT KIT	C7-8
STREAMLINE JU2	C7-8
OPTIONAL SUN ROOF JN3	C11
OPTIONAL SUN ROOF JN6	C12
OPTIONAL WINDSHIELD JN3	C9
OPTIONAL WINDSHIELD JN6	C10
REAR ARM SUSPENSION	A2
REAR WHEEL	B2
SEAT	B11
STEERING	A6
TRANSAXLE	A12 ,B1
-MODELS IN THIS CATALOG	D1

BODY 1

Ref. No.	Part Number	Description	Qty	Remarks
25	JN3-K835G-00-00	HOUSING, HOLDER	1	
26	90338-14827-00	PLUG	1	
27	97707-60130-00	SCREW, PAN HEAD	6	
28	JN3-K8182-00-00	PLATE 2	1	
29	95607-06200-00	NUT, SELF U-FLANGE	1	

CONTENTS

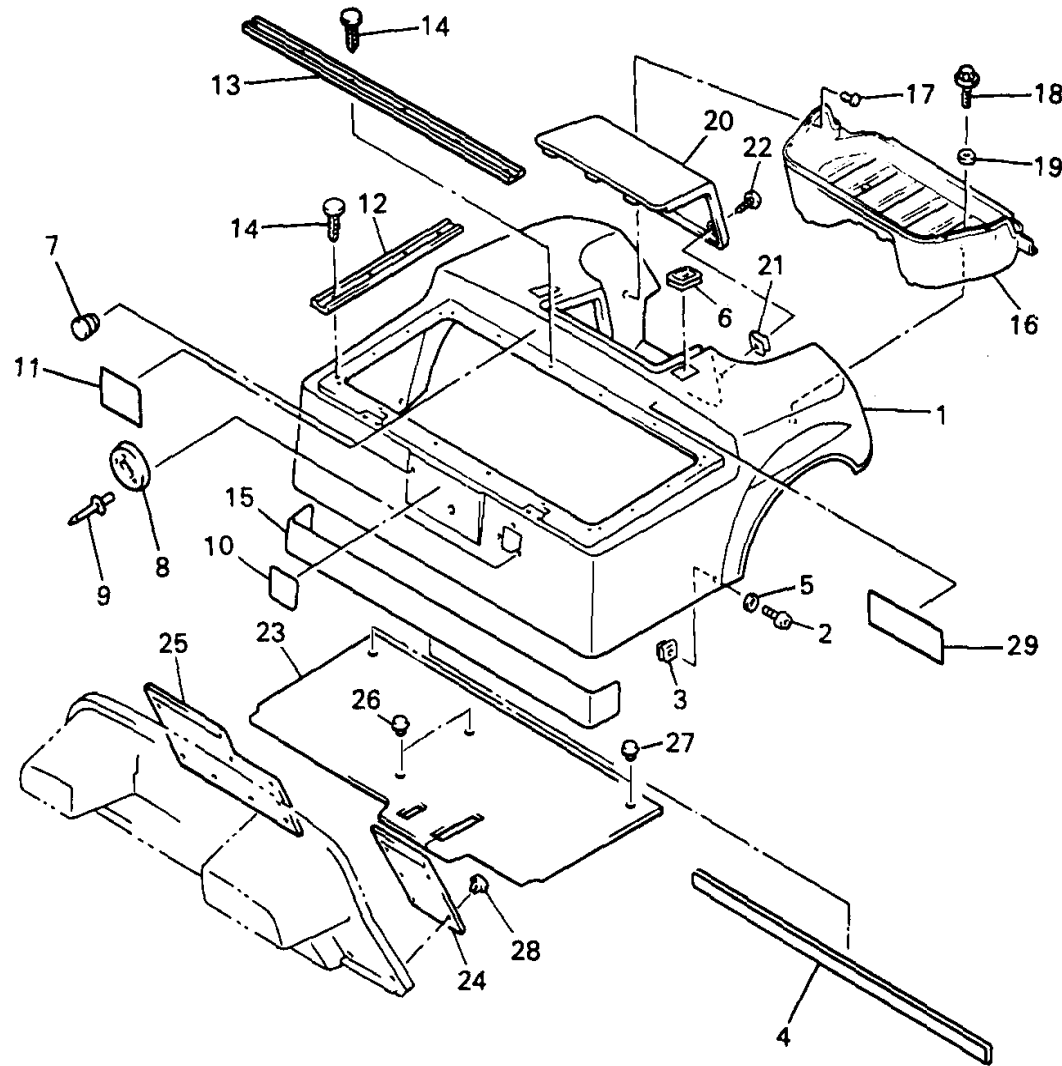
ACCELERATOR	A11
BODY 1	B4-5
BODY 2	B6-7
BODY FITTING	B8
BRAKE 1	A7-8
BRAKE 2	A9
BRAKE 3	A10
BUMPER	B3
CARRIER	B9-10
CONTROLLER 1	C1
CONTROLLER 2	C2
ELECTRIC MOTOR	B12
ELECTRICAL 1	C3-4
FRAME	A3
FRONT SUSPENSION WHEEL	A4-5
OPTIONAL HUB CAPS	C5
OPTIONAL LIGHT KIT	C6
OPTIONAL LIGHT KIT	
STREAMLINE JU2	C7-8
OPTIONAL SUN ROOF JN3	C11
OPTIONAL SUN ROOF JN6	C12
OPTIONAL WINDSHIELD JN3	C9
OPTIONAL WINDSHIELD JN6	C10
REAR ARM SUSPENSION	A2
REAR WHEEL	B2
SEAT	B11
STEERING	A6
TRANSAXLE	A12 ,B1
-MODELS IN THIS CATALOG	D1



JN4300-5120

G14EP_EM

BODY 2



Ref. No.	Part Number	Description	Qty	Remarks
1	JN3-K8142-10-00	PANEL, REAR BODY	1	UR (SUNFEST RED 391)
	JN3-K8142-20-00	PANEL, REAR BODY	1	UR (KINGSTON GRAY 483)
	JN3-K8142-30-00	PANEL, REAR BODY	1	UR (COASTA TEAL 519)
	JN4-K8142-02-00	PANEL, REAR BODY	1	STD (IVORY WHITE 09E)
2	90110-06200-00	BOLT, HEXAGON SOCKET HEAD	2	
3	90183-06811-00	NUT, SPRING	2	
4	JN6-K824E-00-00	TRIM, REAR BODY	1	JN4-200101~
5	90201-068H0-00	WASHER, PLAIN	2	JN4-200101~
6	JN3-K8363-00-00	PROTECTOR	2	
7	90338-11831-00	PLUG	1	
8	JN4-K827A-00-00	GUIDE 1	1	
9	90267-60840-00	RIVET, BLIND	3	
10	JN3-K7741-00-00	INDICATOR	1	
11	JN4-K7765-00-00	LABEL, WARNING	1	
12	JN3-K8425-00-00	SEAL, SEAT	2	
13	JN3-K842A-00-00	SEAL, SEAT	2	
14	90338-05834-00	PLUG	20	
15	JN3-K814N-00-00	PLATE, ORNAMENT	1	AP
16	JF2-K8237-00-00	COVER, REAR FLOOR	1	
17	90269-08069-00	RIVET	7	
18	90119-06823-00	BOLT, HEX. WITH WASHER ..	2	
19	90201-068G7-00	WASHER, PLAIN	2	
20	JN3-K8151-00-00	PANEL, INSPECTION	1	
21	90183-06035-00	NUT, SPRING	2	
22	90160-05805-00	SCREW, ROUND TAPPING ...	2	
23	JF2-K8233-11-00	MAT, MAIN FLOOR 3 (JF2-K8233-10-00)	1	

CONTENTS

ACCELERATOR	A11
BODY 1	B4-5
BODY 2	B6-7
BODY FITTING	B8
BRAKE 1	A7-8
BRAKE 2	A9
BRAKE 3	A10
BUMPER	B3
CARRIER	B9-10
CONTROLLER 1	C1
CONTROLLER 2	C2
ELECTRIC MOTOR	B12
ELECTRICAL 1	C3-4
FRAME	A3
FRONT SUSPENSION WHEEL	A4-5
OPTIONAL HUB CAPS	C5
OPTIONAL LIGHT KIT	C6
OPTIONAL LIGHT KIT STREAMLINE JU2	C7-8
OPTIONAL SUN ROOF JN3	C11
OPTIONAL SUN ROOF JN6	C12
OPTIONAL WINDSHIELD JN3	C9
OPTIONAL WINDSHIELD JN6	C10
REAR ARM SUSPENSION	A2
REAR WHEEL	B2
SEAT	B11
STEERING	A6
TRANSAXLE	A12, B1
-MODELS IN THIS CATALOG	D1

CONTINUED ON NEXT FRAME ►

JN4100-6130R

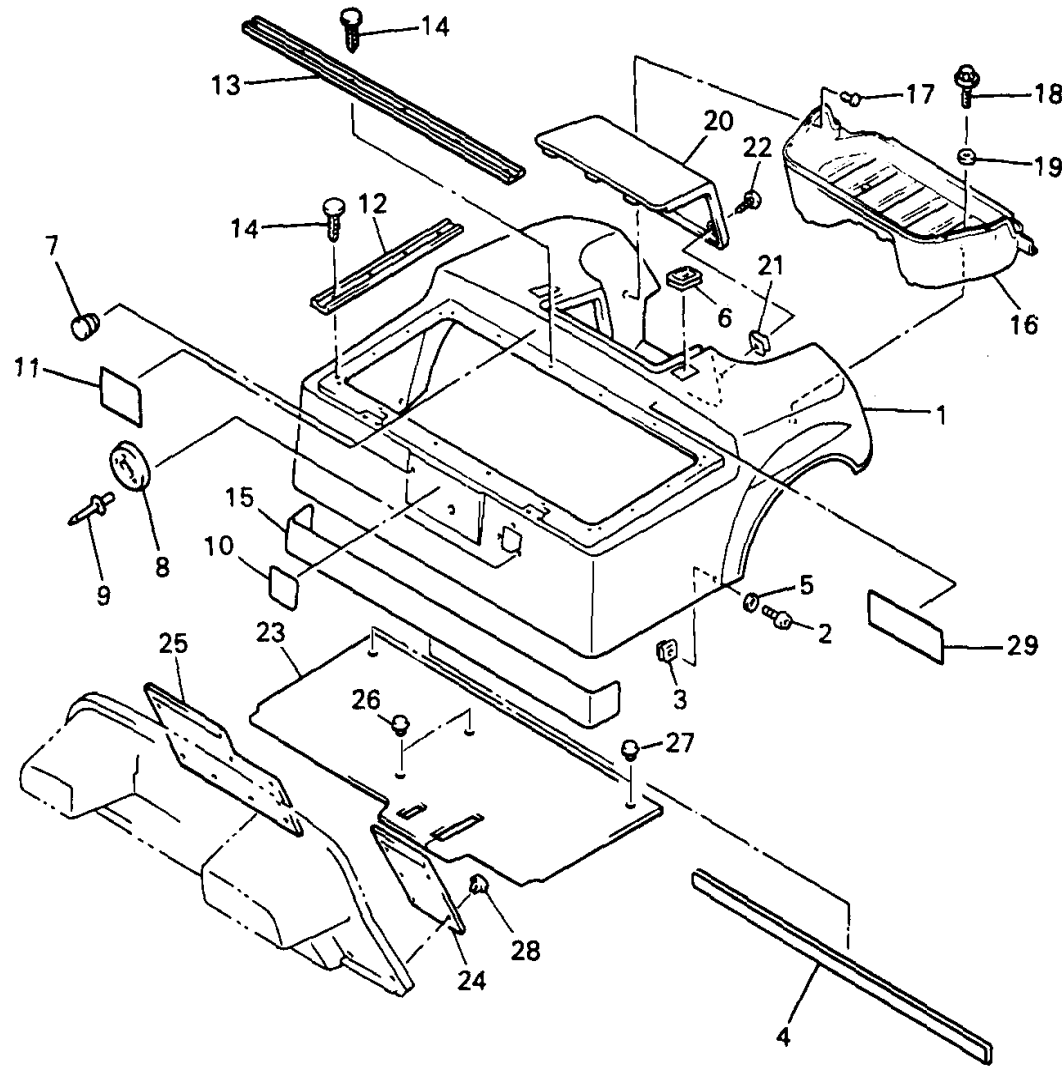
G14EP_EM

BODY 2

Ref. No.	Part Number	Description	Qty	Remarks
24	JF2-K8231-10-00	MAT, MAIN FLOOR 1	1	
25	JF2-K8232-10-00	MAT, MAIN FLOOR 2	1	
26	90269-07809-00	RIVET	2	
27	90269-08813-00	RIVET	2	
28	90267-63047-00	RIVET, BLIND	13	
29	JN4-K8297-00-00	PLATE, CAUTION	1	UR

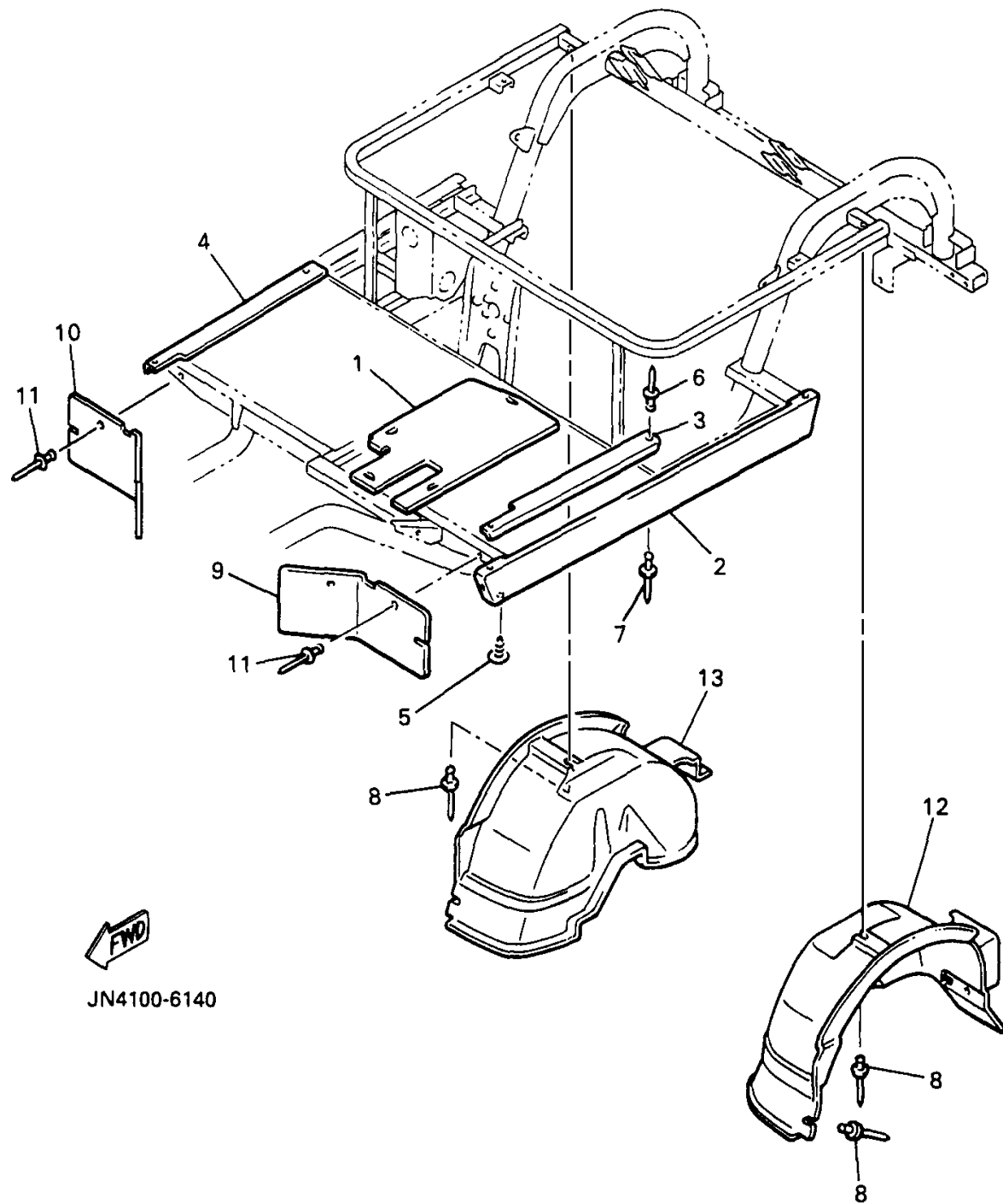
CONTENTS

ACCELERATOR	A11
BODY 1	B4-5
BODY 2	B6-7
BODY FITTING	B8
BRAKE 1	A7-8
BRAKE 2	A9
BRAKE 3	A10
BUMPER	B3
CARRIER	B9-10
CONTROLLER 1	C1
CONTROLLER 2	C2
ELECTRIC MOTOR	B12
ELECTRICAL 1	C3-4
FRAME	A3
FRONT SUSPENSION WHEEL	A4-5
OPTIONAL HUB CAPS	C5
OPTIONAL LIGHT KIT	C6
OPTIONAL LIGHT KIT STREAMLINE JU2	C7-8
OPTIONAL SUN ROOF JN3	C11
OPTIONAL SUN ROOF JN6	C12
OPTIONAL WINDSHIELD JN3	C9
OPTIONAL WINDSHIELD JN6	C10
REAR ARM SUSPENSION	A2
REAR WHEEL	B2
SEAT	B11
STEERING	A6
TRANSAXLE	A12 ,B1
-MODELS IN THIS CATALOG	D1



JN4100-6130R

BODY FITTING

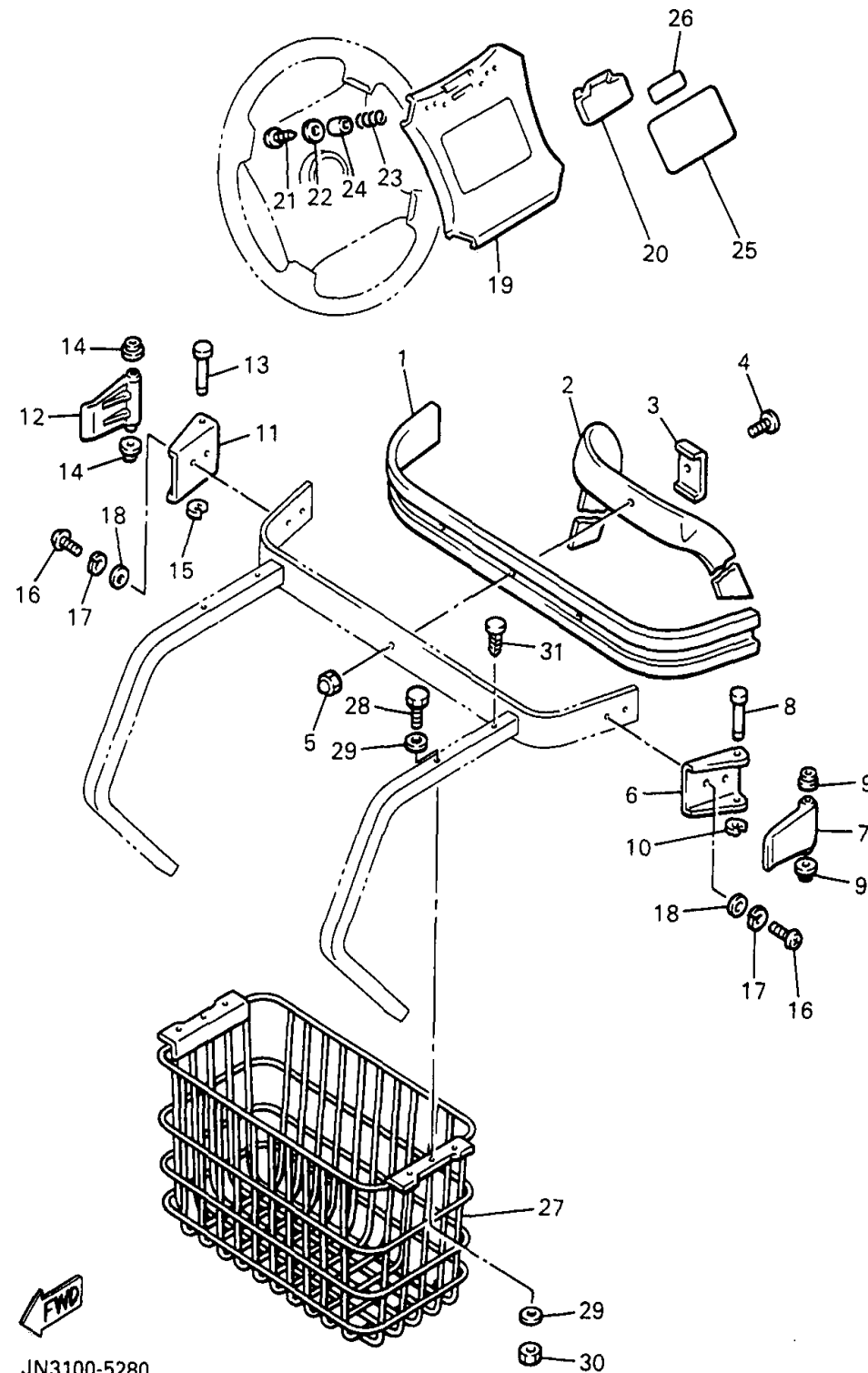


Ref. No.	Part Number	Description	Qty	Remarks
1	JF2-K8271-00-00	SERVICE LID, PEDAL	1	
2	JF2-K818A-00-00	PROTECTOR, SIDE	2	
3	JF2-K8215-10-00	PLATE, SIDE TRIM	1	
4	JF2-K821F-10-00	PLATE, SIDE TRIM	1	
5	90338-05829-00	PLUG	6	
6	90267-48154-00	RIVET, BLIND	4	
7	90267-48831-00	RIVET, BLIND (90267-48101-00)	4	
8	90267-48086-00	RIVET, BLIND	4	
9	JF2-K8187-00-00	FLAP, FRONT FENDER LEFT	1	
	JF2-K8187-00-00	FLAP, FRONT FENDER LEFT	2	FOR ~JN4-200100
10	JF2-K8189-00-00	FLAP, FRONT FENDER RIGHT	1	JN4-200101~
11	90267-48831-00	RIVET, BLIND (90267-48101-00)	4	
12	JF2-K8191-00-00	PANEL, REAR FENDER	1	
13	JF2-K8192-00-00	PANEL, REAR FENDER	1	

CONTENTS

ACCELERATOR	A11
BODY 1	B4-5
BODY 2	B6-7
BODY FITTING	B8
BRAKE 1	A7-8
BRAKE 2	A9
BRAKE 3	A10
BUMPER	B3
CARRIER	B9-10
CONTROLLER 1	C1
CONTROLLER 2	C2
ELECTRIC MOTOR	B12
ELECTRICAL 1	C3-4
FRAME	A3
FRONT SUSPENSION WHEEL	A4-5
OPTIONAL HUB CAPS	C5
OPTIONAL LIGHT KIT	C6
OPTIONAL LIGHT KIT	
STREAMLINE JU2	C7-8
OPTIONAL SUN ROOF JN3	C11
OPTIONAL SUN ROOF JN6	C12
OPTIONAL WINDSHIELD JN3	C9
OPTIONAL WINDSHIELD JN6	C10
REAR ARM SUSPENSION	A2
REAR WHEEL	B2
SEAT	B11
STEERING	A6
TRANSAXLE	A12 ,B1
~MODELS IN THIS CATALOG	D1

CARRIER



JN3100-5280

Ref. No.	Part Number	Description	Qty	Remarks
1	JF2-K8356-00-00	PAD, BAG SUPPORT	1	
2	JF2-K8355-00-00	BAND	1	
3	J38-78367-00-00	PLATE, ANCHOR	1	
4	90101-06865-00	BOLT, HEX	1	
5	90185-06836-00	NUT, SELF-LOCKING	1	
6	J17-78157-01-00	BASE, LOCK	1	
7	J17-78368-01-00	LEVER, LOCK	1	
8	J17-78369-00-00	PIN, LEVER	1	
9	90386-06108-00	BUSH	2	
10	99080-05600-00	CIRCLIP	1	
11	J17-78157-01-00	BASE, LOCK	1	
12	J17-78368-01-00	LEVER, LOCK	1	
13	J17-78369-00-00	PIN, LEVER	1	
14	90386-06108-00	BUSH	2	
15	99080-05600-00	CIRCLIP	1	
16	98580-06010-00	SCREW, PAN HEAD (92503-06010)	4	
17	92995-06100-00	WASHER, SPRING	4	
18	92990-06200-00	WASHER	4	
19	JN3-K8357-00-00	HOLDER	1	
20	JN6-K8358-01-00	HOLDER, 2	1	
21	97707-40625-00	SCREW, PAN HEAD	2	
22	90201-044H9-00	WASHER, PLAIN	2	
23	90502-10013-00	SPRING, CONICAL	2	
24	90387-046N7-00	COLLAR	2	
25	JN3-K7762-01-00	LABEL, WARNING	1	UR
26	JN3-K7141-00-00	EMBLEM 1	1	
27	JN3-K8340-00-00	LUGGAGE RACK	1	
28	90111-08803-00	BOLT, HEX. SOCKET	2	
29	90201-08103-00	WASHER, PLAIN	8	

CONTENTS

ACCELERATOR	A11
BODY 1	B4-5
BODY 2	B6-7
BODY FITTING	B8
BRAKE 1	A7-8
BRAKE 2	A9
BRAKE 3	A10
BUMPER	B3
CARRIER	B9-10
CONTROLLER 1	C1
CONTROLLER 2	C2
ELECTRIC MOTOR	B12
ELECTRICAL 1	C3-4
FRAME	A3
FRONT SUSPENSION WHEEL	A4-5
OPTIONAL HUB CAPS	C5
OPTIONAL LIGHT KIT	C6
OPTIONAL LIGHT KIT STREAMLINE JU2	C7-8
OPTIONAL SUN ROOF JN3	C11
OPTIONAL SUN ROOF JN6	C12
OPTIONAL WINDSHIELD JN3	C9
OPTIONAL WINDSHIELD JN6	C10
REAR ARM SUSPENSION	A2
REAR WHEEL	B2
SEAT	B11
STEERING	A6
TRANSAXLE	A12, B1
-MODELS IN THIS CATALOG	D1

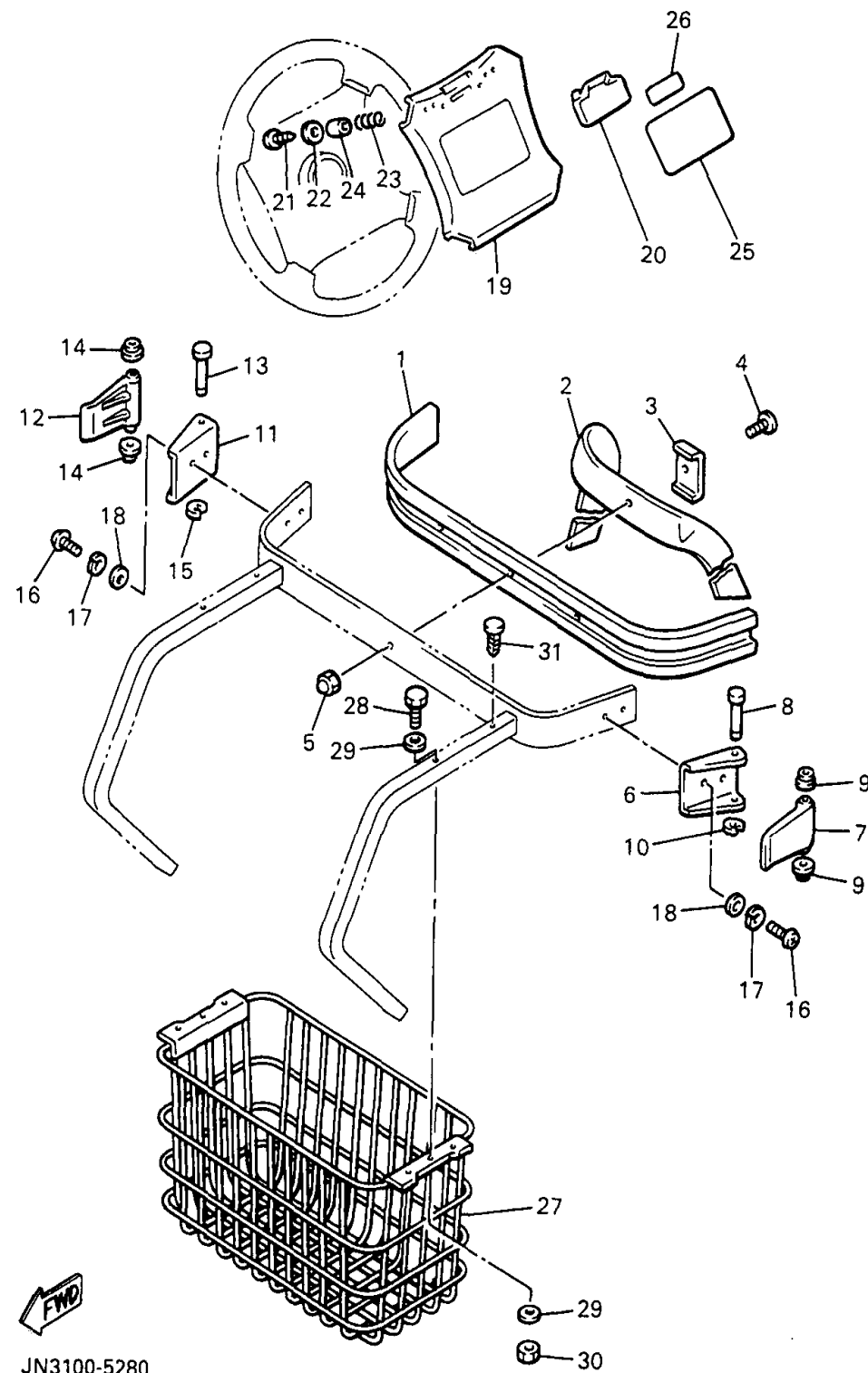
CONTINUED ON NEXT FRAME >

CARRIER

Ref. No.	Part Number	Description	Qty	Remarks
30	90185-08832-00	NUT, SELF-LOCKING	2	
31	90338-09828-00	PLUG	2	

CONTENTS

ACCELERATOR	A11
BODY 1	B4-5
BODY 2	B6-7
BODY FITTING	B8
BRAKE 1	A7-8
BRAKE 2	A9
BRAKE 3	A10
BUMPER	B3
CARRIER	B9-10
CONTROLLER 1	C1
CONTROLLER 2	C2
ELECTRIC MOTOR	B12
ELECTRICAL 1	C3-4
FRAME	A3
FRONT SUSPENSION WHEEL	A4-5
OPTIONAL HUB CAPS	C5
OPTIONAL LIGHT KIT	C6
OPTIONAL LIGHT KIT	C7-8
STREAMLINE JU2	C7-8
OPTIONAL SUN ROOF JN3	C11
OPTIONAL SUN ROOF JN6	C12
OPTIONAL WINDSHIELD JN3	C9
OPTIONAL WINDSHIELD JN6	C10
REAR ARM SUSPENSION	A2
REAR WHEEL	B2
SEAT	B11
STEERING	A6
TRANSAXLE	A12 ,B1
-MODELS IN THIS CATALOG	D1

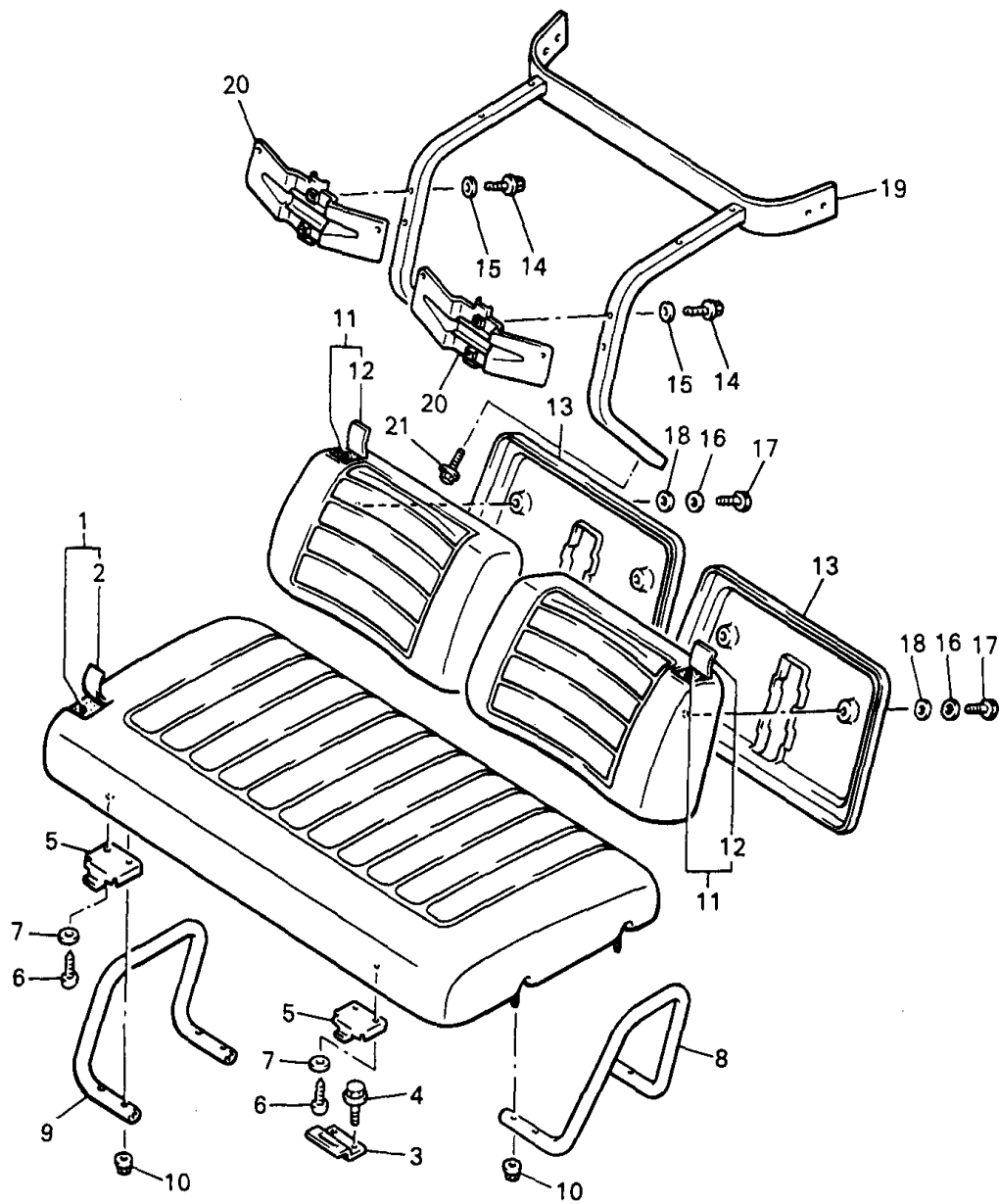


SEAT

Ref. No.	Part Number	Description	Qty	Remarks
1	JN3-K8401-00-00	SEAT SUB-ASSEMBLY, CUSHION	1	
2	JN3-K8404-09-00	. COVER, SEAT	1	
3	JF2-K8427-00-00	HINGE, SEAT FEMALE	2	
4	90105-06903-00	BOLT, WASHER BASED	4	
5	JN3-K8426-00-00	HINGE, SEAT MALE	2	
6	97780-50125-00	SCREW, TAPPING	4	
7	90204-05804-00	WASHER, SPRING	4	
8	JN3-K8361-00-00	ARM REST	1	
9	JN3-K8362-00-00	ARM REST 2	1	
10	95617-08200-00	NUT, U-FLANGE (95607-08200-00)	8	
11	JN3-K8402-00-00	BACK, SEAT SUB	2	
12	JN3-K841G-09-00	. COVER, SEAT BACK 2	1	
13	JN3-K8413-00-00	COVER, SEAT BACK	2	
14	90119-08820-00	BOLT, HEX WITH WASHER ...	4	
15	90201-098J4-00	WASHER, PLAIN	4	
16	90201-068G0-00	WASHER, PLAIN	4	
17	95880-06025-00	BOLT, FLANGE	4	
18	90201-068G6-00	WASHER, PLAIN	4	
19	JN3-K8423-00-00	SUPPORT, SEAT BACK	1	
20	JN3-K842H-00-00	RETAINER, SEAT	2	
21	95817-08045-00	BOLT, FLANGE	4	

CONTENTS

ACCELERATOR	A11
BODY 1	B4-5
BODY 2	B6-7
BODY FITTING	B8
BRAKE 1	A7-8
BRAKE 2	A9
BRAKE 3	A10
BUMPER	B3
CARRIER	B9-10
CONTROLLER 1	C1
CONTROLLER 2	C2
ELECTRIC MOTOR	B12
ELECTRICAL 1	C3-4
FRAME	A3
FRONT SUSPENSION WHEEL	A4-5
OPTIONAL HUB CAPS	C5
OPTIONAL LIGHT KIT	C6
OPTIONAL LIGHT KIT STREAMLINE JU2	C7-8
OPTIONAL SUN ROOF JN3	C11
OPTIONAL SUN ROOF JN6	C12
OPTIONAL WINDSHIELD JN3	C9
OPTIONAL WINDSHIELD JN6	C10
REAR ARM SUSPENSION	A2
REAR WHEEL	B2
SEAT	B11
STEERING	A6
TRANSAXLE	A12 ,B1
-MODELS IN THIS CATALOG	D1



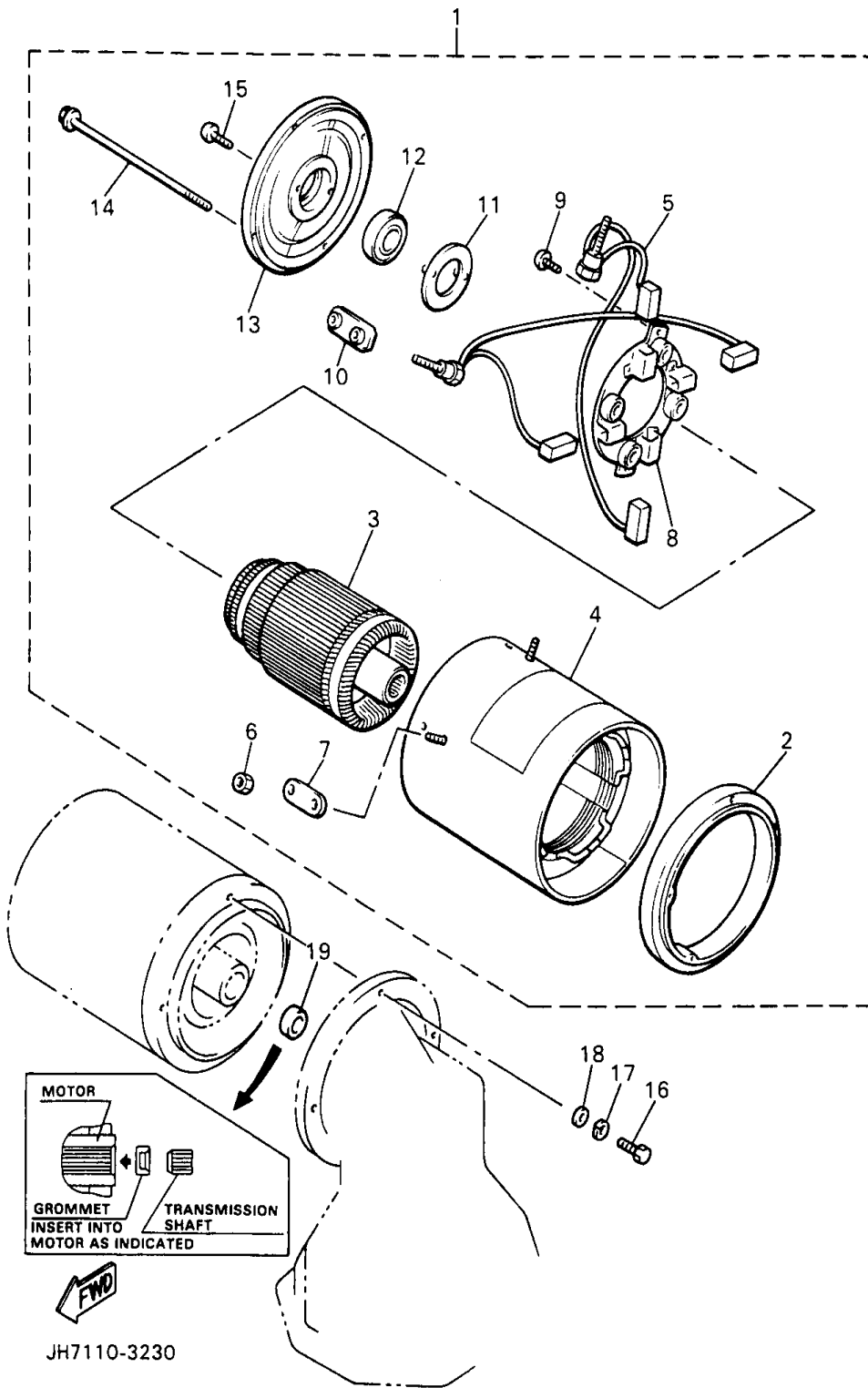
JN4100-6160

ELECTRIC MOTOR

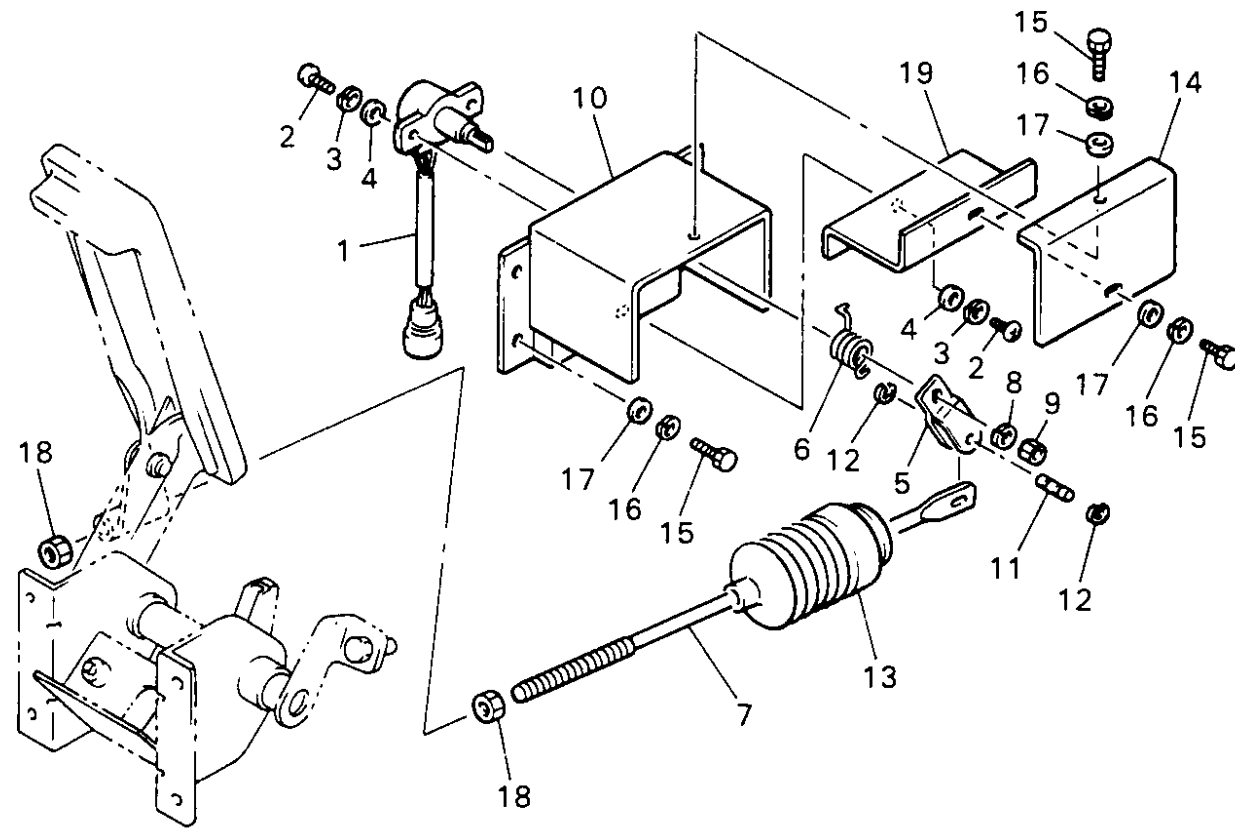
Ref. No.	Part Number	Description	Qty	Remarks
1	JH7-H1890-10-00	MOTOR ASSEMBLY	1	
2	JH7-H183J-00-00	. BRACKET, FRONT	1	
3	JH7-H1850-00-00	. ARMATURE ASSEMBLY	1	
4	JH7-H1810-10-00	. STATOR ASSEMBLY	1	
5	JH7-H1801-00-00	. BRUSH SET	1	
6	JH7-H1872-00-00	. NUT, SPECIAL	4	
7	J51-H1843-00-00	. WASHER 1	2	
8	JH7-H1840-00-00	. BRUSH HOLDER ASSEMBLY	1	
9	JH7-H1848-00-00	. SCREW, BRUSH HOLDER	2	
10	JG6-H1824-00-00	. WASHER 2	2	
11	JH7-H1856-00-00	. BEARING	1	
12	J56-H1857-00-00	. RETAINER	1	
13	JH7-H1822-00-00	. BRACKET, STARTING MOTOR	1	
14	JG6-H1828-00-00	. BOLT 2	4	
15	JH7-H1846-00-00	. SCREW	2	
16	90101-06857-00	BOLT	3	
17	90215-06811-00	WASHER, LOCK	3	
18	90201-068E2-00	WASHER, PLATE	3	
19	JH7-H1829-00-00	GROMMET	1	

CONTENTS

ACCELERATOR	A11
BODY 1	B4-5
BODY 2	B6-7
BODY FITTING	B8
BRAKE 1	A7-8
BRAKE 2	A9
BRAKE 3	A10
BUMPER	B3
CARRIER	B9-10
CONTROLLER 1	C1
CONTROLLER 2	C2
ELECTRIC MOTOR	B12
ELECTRICAL 1	C3-4
FRAME	A3
FRONT SUSPENSION WHEEL	A4-5
OPTIONAL HUB CAPS	C5
OPTIONAL LIGHT KIT	C6
OPTIONAL LIGHT KIT STREAMLINE JU2	C7-8
OPTIONAL SUN ROOF JN3	C11
OPTIONAL SUN ROOF JN6	C12
OPTIONAL WINDSHIELD JN3	C9
OPTIONAL WINDSHIELD JN6	C10
REAR ARM SUSPENSION	A2
REAR WHEEL	B2
SEAT	B11
STEERING	A6
TRANSAXLE	A12, B1
-MODELS IN THIS CATALOG	D1



CONTROLLER 1



Ref. No.	Part Number	Description	Qty	Remarks
1	JN4-85885-01-00	THROTTLE SENSOR	1	
2	98507-05016-00	SCREW, PAN HEAD	3	
3	92907-05100-00	WASHER, SPRING	3	
4	92907-05600-00	WASHER, PLATE	3	
5	JF3-2625H-00-00	ARM, THROTTLE	1	
6	JF3-27825-00-00	SPRING, RETURN	1	
7	JN4-F7241-00-00	ROD, JOINT	1	
8	92907-06100-00	WASHER, SPRING	1	
9	95317-06600-00	NUT (95307-06600-00)	1	
10	JF3-27981-00-00	BRACKET, THROTTLE	1	
11	JF3-27813-00-00	PIN, PEDAL CRANK	1	
12	99080-04600-00	CIRCLIP (E)	2	
13	JN4-F7486-00-00	COVER, 1	1	
14	JF3-27487-00-00	COVER 2	1	
15	97007-05016-00	BOLT	6	
16	92907-05100-00	WASHER, SPRING	6	
17	92907-05600-00	WASHER, PLATE	6	
18	95317-08700-00	NUT, HEX	2	
19	JF3-27445-00-00	PLATE 1	1	

CONTENTS

ACCELERATOR	A11
BODY 1	B4-5
BODY 2	B6-7
BODY FITTING	B8
BRAKE 1	A7-8
BRAKE 2	A9
BRAKE 3	A10
BUMPER	B3
CARRIER	B9-10
CONTROLLER 1	C1
CONTROLLER 2	C2
ELECTRIC MOTOR	B12
ELECTRICAL 1	C3-4
FRAME	A3
FRONT SUSPENSION WHEEL	A4-5
OPTIONAL HUB CAPS	C5
OPTIONAL LIGHT KIT	C6
OPTIONAL LIGHT KIT STREAMLINE JU2	C7-8
OPTIONAL SUN ROOF JN3	C11
OPTIONAL SUN ROOF JN6	C12
OPTIONAL WINDSHIELD JN3	C9
OPTIONAL WINDSHIELD JN6	C10
REAR ARM SUSPENSION	A2
REAR WHEEL	B2
SEAT	B11
STEERING	A6
TRANSAXLE	A12 ,B1
-MODELS IN THIS CATALOG	D1



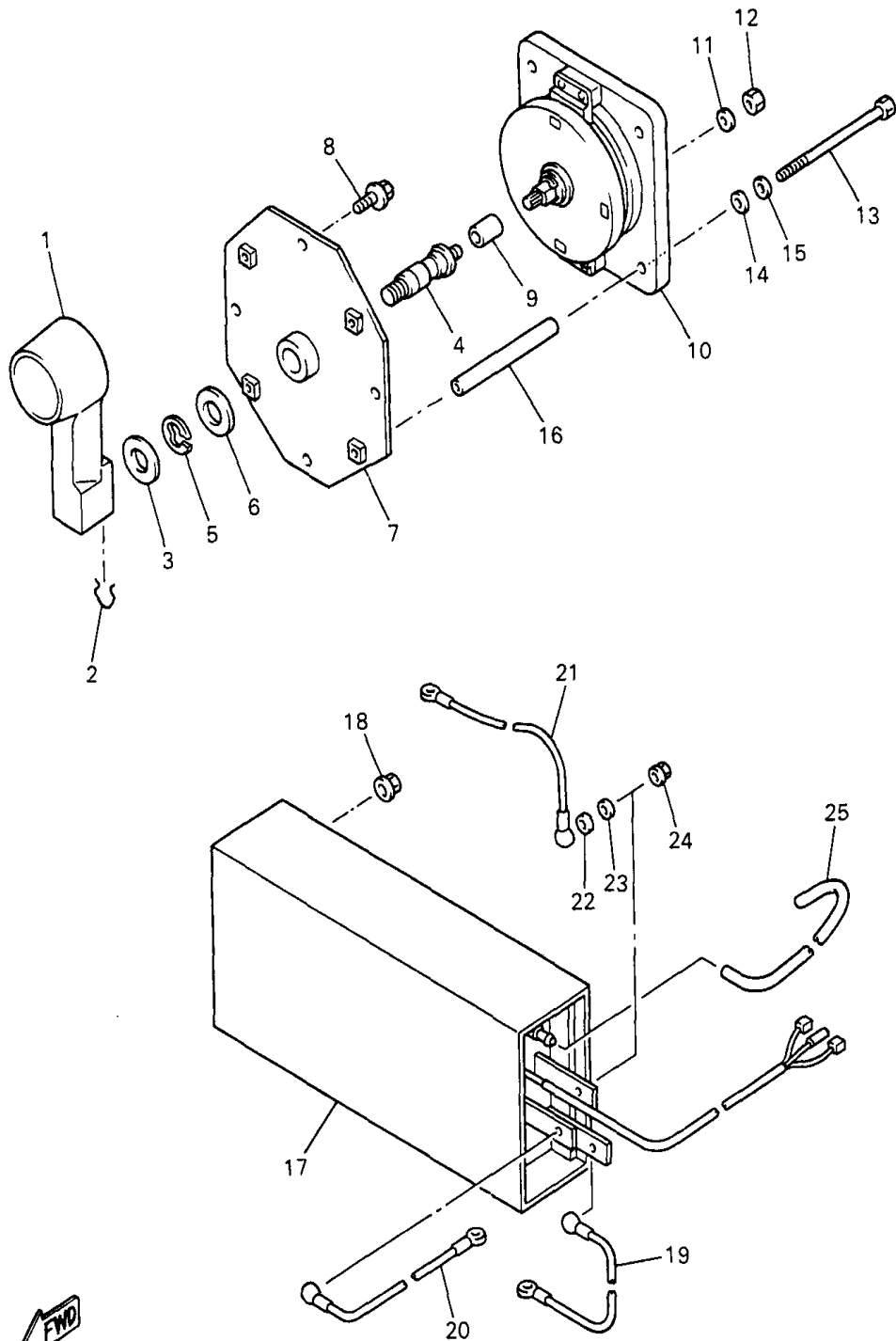
JN4100-5180

CONTROLLER 2

Ref. No.	Part Number	Description	Qty	Remarks
1	JN3-G6381-00-00	KNOB, SHIFT	1	
2	JN3-G6376-00-00	SPRING, SET	1	
3	90201-201L9-00	WASHER, PLAIN	1	
4	JF3-46392-00-00	BAR 1	1	
5	99009-19400-00	CIRCLIP	1	
6	90201-19551-00	WASHER, PLAIN	1	
7	JN4-G6372-00-00	BRACKET, SHIFT	1	
8	95817-06016-00	BOLT, FLANGE	4	
9	J41-46394-00-00	JOINT	1	
10	JN4-82917-00-00	F/R SELECT SWITCH ASSEMBLY	1	FWD/REV SWITCH
11	92907-06100-00	WASHER, SPRING	4	
12	95317-06600-00	NUT (95307-06600-00)	4	
13	97007-06100-00	BOLT, HEXAGON	4	
14	92907-06200-00	WASHER	4	
15	92907-06100-00	WASHER, SPRING	4	
16	90387-061W6-00	COLLAR	4	
17	JN4-86510-01-00	MOTOR CONTROL UNIT ASSEMBLY	1	
18	95707-06500-00	NUT, FLANGE	4	
19	JN4-86521-00-00	WIRE, 1	1	
20	JN4-86522-00-00	WIRE, 2	1	
21	JN4-86523-00-00	WIRE 3	1	
22	97007-05012-00	BOLT	3	
23	92907-05600-00	WASHER, PLATE	3	
24	95707-05500-00	NUT, FLANGE	3	
25	90446-12375-00	HOSE	1	

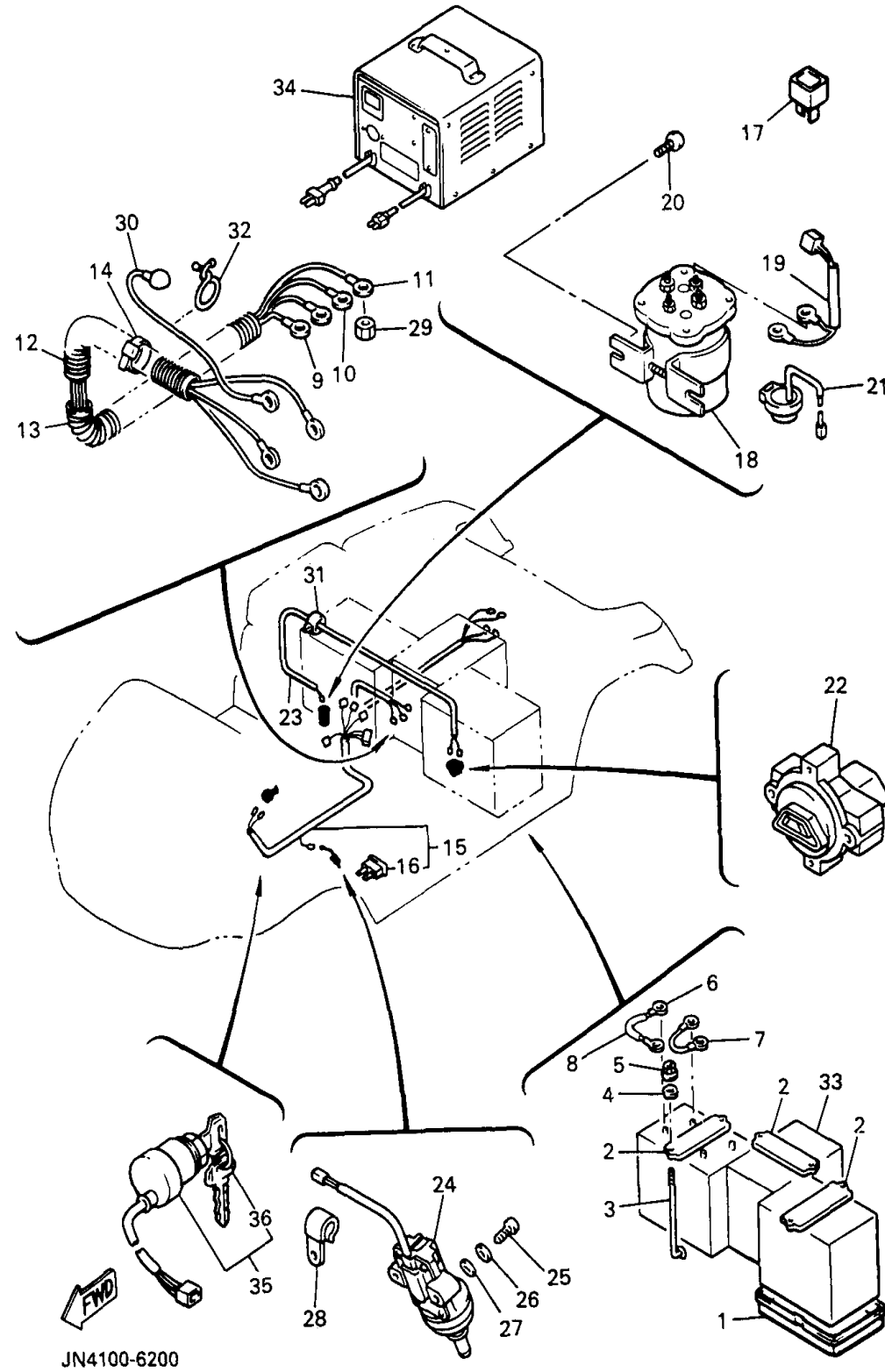
CONTENTS

ACCELERATOR	A11
BODY 1	B4-5
BODY 2	B6-7
BODY FITTING	B8
BRAKE 1	A7-8
BRAKE 2	A9
BRAKE 3	A10
BUMPER	B3
CARRIER	B9-10
CONTROLLER 1	C1
CONTROLLER 2	C2
ELECTRIC MOTOR	B12
ELECTRICAL 1	C3-4
FRAME	A3
FRONT SUSPENSION WHEEL	A4-5
OPTIONAL HUB CAPS	C5
OPTIONAL LIGHT KIT	C6
OPTIONAL LIGHT KIT STREAMLINE JU2	C7-8
OPTIONAL SUN ROOF JN3	C11
OPTIONAL SUN ROOF JN6	C12
OPTIONAL WINDSHIELD JN3	C9
OPTIONAL WINDSHIELD JN6	C10
REAR ARM SUSPENSION	A2
REAR WHEEL	B2
SEAT	B11
STEERING	A6
TRANSAXLE	A12 ,B1
-MODELS IN THIS CATALOG	D1



JN4100-5190

ELECTRICAL 1



Ref. No.	Part Number	Description	Qty	Remarks
1	J56-H2123-00-00	SEAT, BATTERY	3	
2	JF3-H2136-00-00	PLATE, BATTERY	3	
3	JN4-H2133-00-00	SCREW, FITTING	6	
4	90201-065G8-00	WASHER, PLAIN	6	
5	95707-06500-00	NUT, FLANGE	6	
6	J51-H2115-00-00	WIRE, PLUS LEAD	1	
7	J51-H2127-00-00	WIRE, LEAD 2	5	
8	JF3-82139-00-00	TUBE	1	
9	JF3-H2521-01-00	WIRE, LEAD	1	
10	JN4-H2531-00-00	WIRE, LEAD	1	
11	JF3-H6171-00-00	WIRE, LEAD 1	1	
12	JF3-H7196-00-00	TUBE 1	1	
13	JF3-H7197-00-00	TUBE 2	1	
14	90464-13080-00	CLAMP	5	
15	JN4-82590-00-00	WIRE HARNESS ASSEMBLY	1	
16	42X-82151-00-00	FUSE, (10A-BL)	2	
17	J44-81980-60-00	DIODE ASSEMBLY	2	
18	JF3-H1950-00-00	RELAY ASSEMBLY	1	
19	JF2-82105-00-00	WIRE HARNESS	1	
20	90163-06005-00	SCREW, HEX T	2	
21	JN4-83383-00-00	BUZZER	1	
22	JN4-H6181-00-00	RECEPTACLE	1	
23	JN4-82105-00-00	WIRE HARNESS	1	
24	JF7-82817-20-00	SWITCH, ACCELERATOR STOP	1	
25	98507-05025-00	SCREW, PAN HEAD	2	
26	92907-05100-00	WASHER, SPRING	2	
27	92907-05600-00	WASHER, PLATE	2	
28	90465-08028-00	CLAMP	1	
29	JG6-H1872-00-00	NUT, SPECIAL	4	
30	JN4-H6527-00-00	WIRE 7	1	

CONTENTS

ACCELERATOR	A11
BODY 1	B4-5
BODY 2	B6-7
BODY FITTING	B8
BRAKE 1	A7-8
BRAKE 2	A9
BRAKE 3	A10
BUMPER	B3
CARRIER	B9-10
CONTROLLER 1	C1
CONTROLLER 2	C2
ELECTRIC MOTOR	B12
ELECTRICAL 1	C3-4
FRAME	A3
FRONT SUSPENSION WHEEL	A4-5
OPTIONAL HUB CAPS	C5
OPTIONAL LIGHT KIT	C6
OPTIONAL LIGHT KIT STREAMLINE JU2	C7-8
OPTIONAL SUN ROOF JN3	C11
OPTIONAL SUN ROOF JN6	C12
OPTIONAL WINDSHIELD JN3	C9
OPTIONAL WINDSHIELD JN6	C10
REAR ARM SUSPENSION	A2
REAR WHEEL	B2
SEAT	B11
STEERING	A6
TRANSAXLE	A12, B1
-MODELS IN THIS CATALOG	D1

CONTINUED ON NEXT FRAME ►

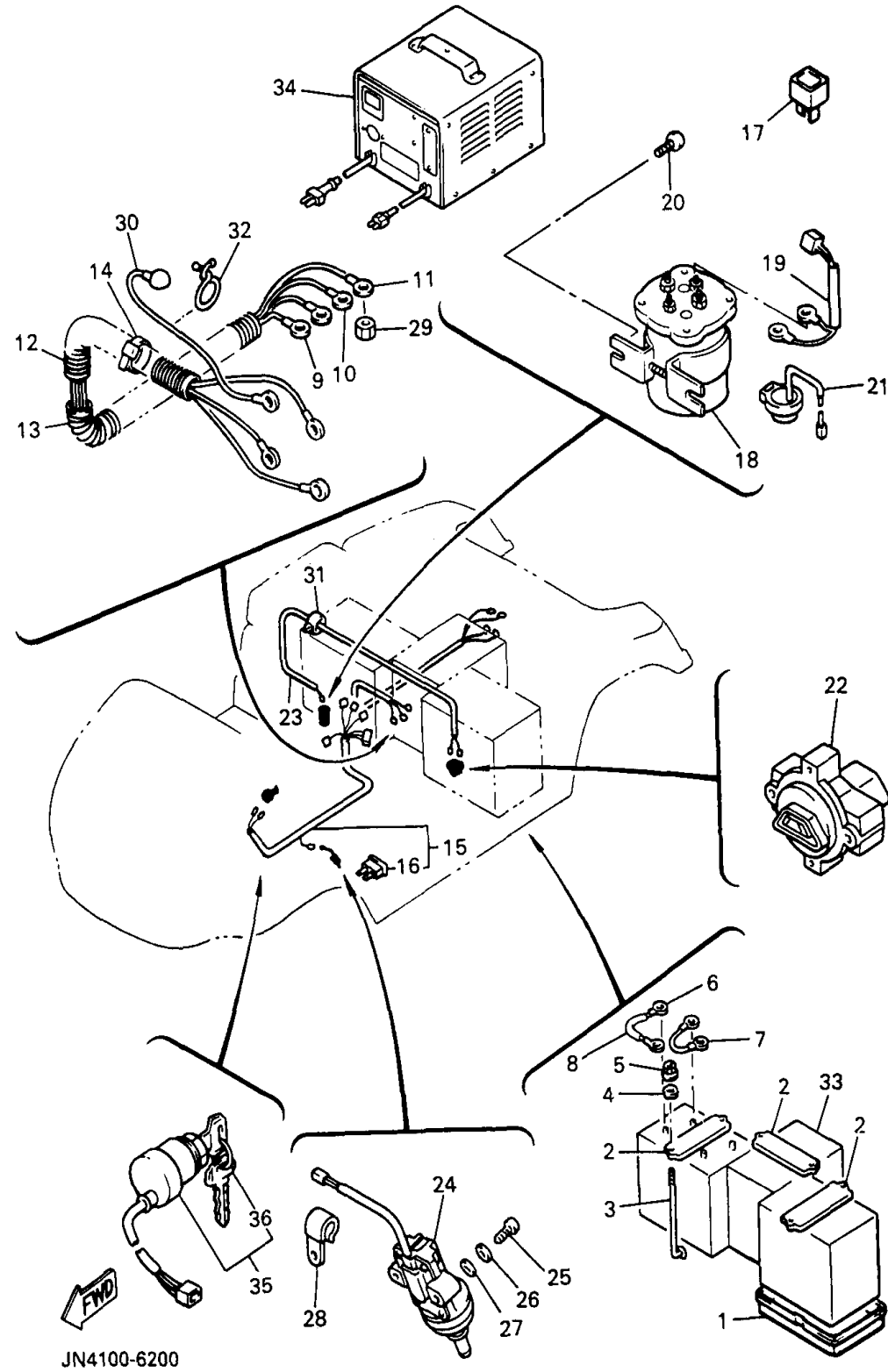
JN4100-6200

ELECTRICAL 1

Ref. No.	Part Number	Description	Qty	Remarks
31	90464-20181-00	CLAMP	4	
32	90464-23041-00	CLAMP	2	
33	JN8-H2110-B0-00	BATTERY, 6V, BCI GC-2	6	OBTAIN LOCALLY
34	JN4-H2107-00-00	CHARGER, BATTERY, 36V ...	1	UR
35	JN3-82510-00-00	MAIN SWITCH ASSEMBLY ...	1	
36	J44-82511-00-YY	. KEY, MAIN SWITCH (J44-82511-00-00)	1	

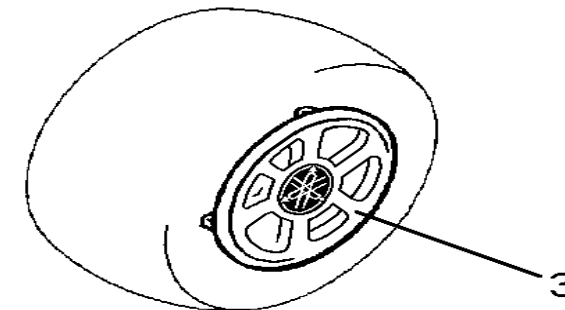
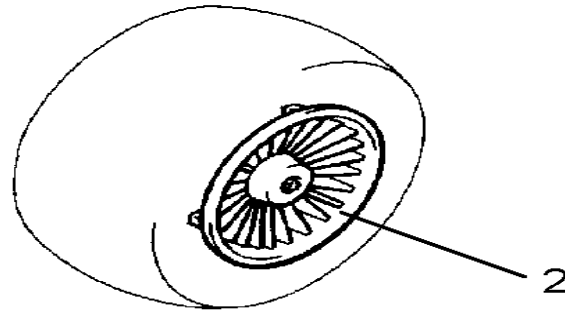
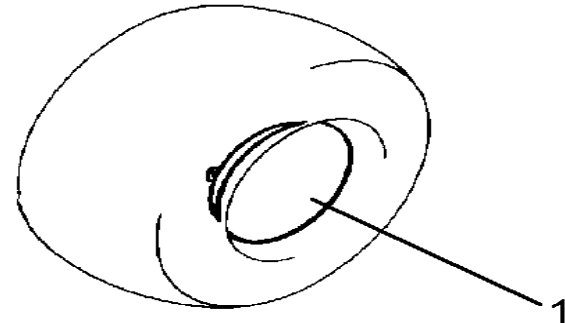
CONTENTS

ACCELERATOR	A11
BODY 1	B4-5
BODY 2	B6-7
BODY FITTING	B8
BRAKE 1	A7-8
BRAKE 2	A9
BRAKE 3	A10
BUMPER	B3
CARRIER	B9-10
CONTROLLER 1	C1
CONTROLLER 2	C2
ELECTRIC MOTOR	B12
ELECTRICAL 1	C3-4
FRAME	A3
FRONT SUSPENSION WHEEL	A4-5
OPTIONAL HUB CAPS	C5
OPTIONAL LIGHT KIT	C6
OPTIONAL LIGHT KIT STREAMLINE JU2	C7-8
OPTIONAL SUN ROOF JN3	C11
OPTIONAL SUN ROOF JN6	C12
OPTIONAL WINDSHIELD JN3	C9
OPTIONAL WINDSHIELD JN6	C10
REAR ARM SUSPENSION	A2
REAR WHEEL	B2
SEAT	B11
STEERING	A6
TRANSAXLE	A12 ,B1
-MODELS IN THIS CATALOG	D1



OPTIONAL HUB CAPS

Ref. No.	Part Number	Description	Qty	Remarks
1	JG5-F512L-00-00	HUB CAP, PLAIN	4	COMES WITH CLIPS
2	JG5-F512M-00-00	HUB CAP, MAG-STYLE	4	COMES WITH CLIPS
3	JN6-HUBCP-TF-00	HUB-CAP, TUNING FORK	4	COMES WITH CLIPS

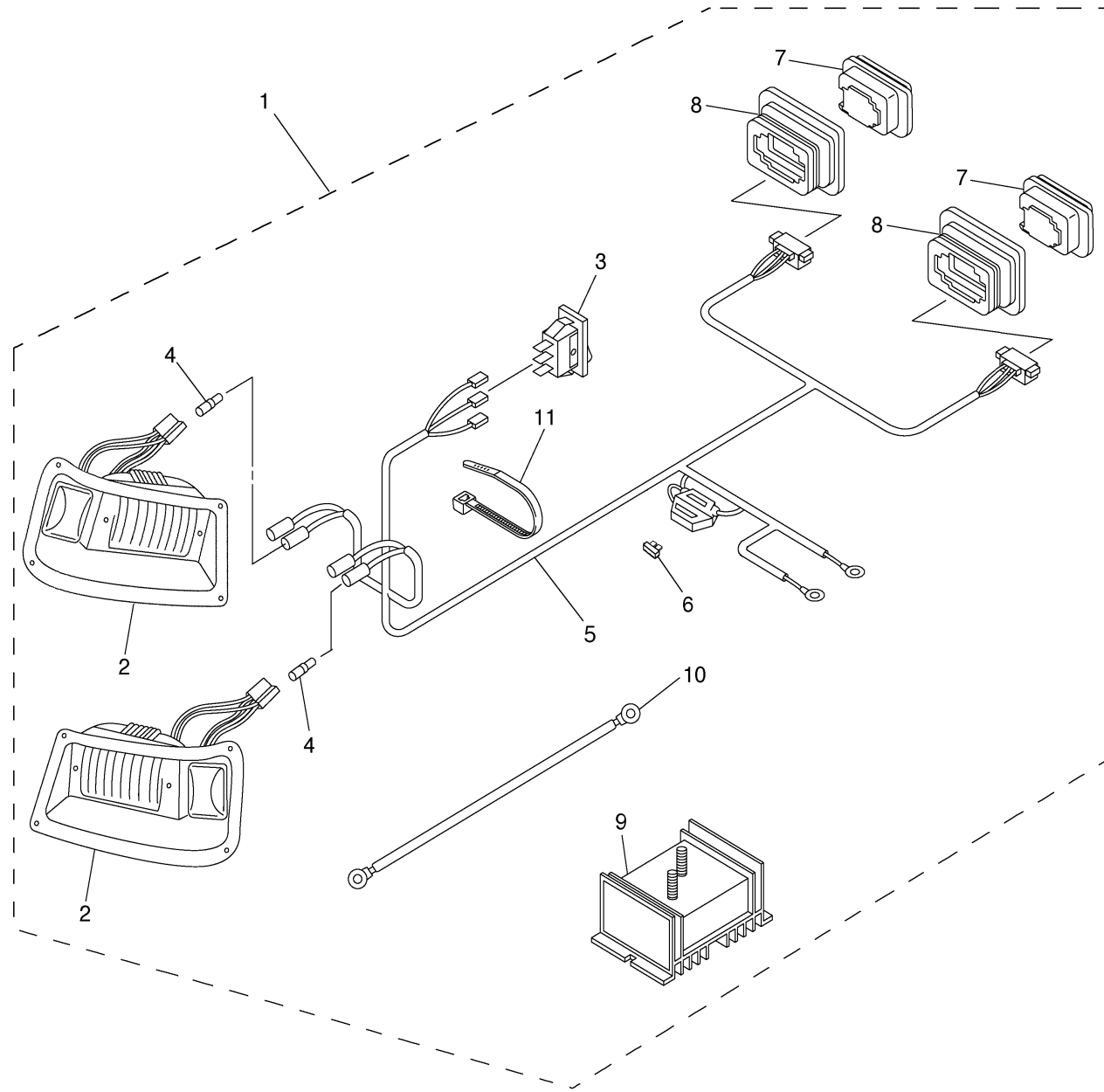


CONTENTS

ACCELERATOR	A11
BODY 1	B4-5
BODY 2	B6-7
BODY FITTING	B8
BRAKE 1	A7-8
BRAKE 2	A9
BRAKE 3	A10
BUMPER	B3
CARRIER	B9-10
CONTROLLER 1	C1
CONTROLLER 2	C2
ELECTRIC MOTOR	B12
ELECTRICAL 1	C3-4
FRAME	A3
FRONT SUSPENSION WHEEL	A4-5
OPTIONAL HUB CAPS	C5
OPTIONAL LIGHT KIT	C6
OPTIONAL LIGHT KIT	
STREAMLINE JU2	C7-8
OPTIONAL SUN ROOF JN3	C11
OPTIONAL SUN ROOF JN6	C12
OPTIONAL WINDSHIELD JN3	C9
OPTIONAL WINDSHIELD JN6	C10
REAR ARM SUSPENSION	A2
REAR WHEEL	B2
SEAT	B11
STEERING	A6
TRANSAXLE	A12 ,B1
-MODELS IN THIS CATALOG	D1

 JN6100-6261

OPTIONAL LIGHT KIT



Ref. No.	Part Number	Description	Qty	Remarks
1	JR1-H430A-20-00	HEADLIGHT UNIT ASSEMBLY .	1	
2	JN3-H4303-20-00	. HEADLIGHT UNIT ASSEMBLY	1	SOLD AS R&L SET
3	JN3-H3976-20-00	. SWITCH, HANDLE 1	1	
4	9E212-10401-00	. TERMINAL	2	
5	JN3-H4159-00-00	. CORD, HEADLIGHT	1	
6	42X-J82151-00-00	. FUSE	1	
7	JN3-H4700-00-00	. TAILLIGHT ASSY	2	
8	JN3-H4718-00-00	. GROMMET	2	
9	JR1-H1910-00-00	. VOLTAGE REGULATOR ASSY	2	
10	JR1-H4149-00-00	. WIRE, LEAD 2	1	
11	GCA-JU012-51-00	. CLAMP	20	

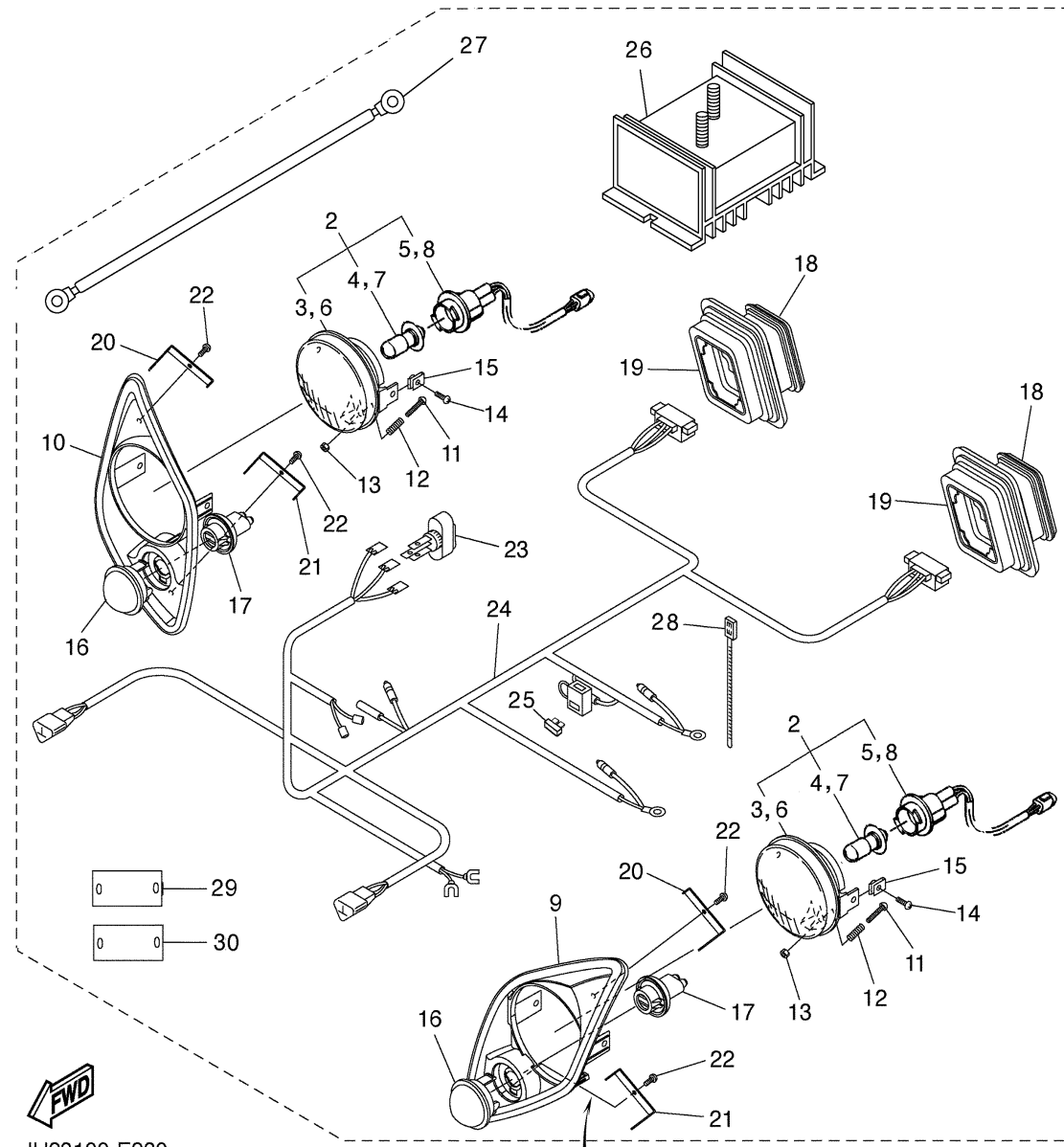
CONTENTS

ACCELERATOR	A11
BODY 1	B4-5
BODY 2	B6-7
BODY FITTING	B8
BRAKE 1	A7-8
BRAKE 2	A9
BRAKE 3	A10
BUMPER	B3
CARRIER	B9-10
CONTROLLER 1	C1
CONTROLLER 2	C2
ELECTRIC MOTOR	B12
ELECTRICAL 1	C3-4
FRAME	A3
FRONT SUSPENSION WHEEL	A4-5
OPTIONAL HUB CAPS	C5
OPTIONAL LIGHT KIT	C6
OPTIONAL LIGHT KIT STREAMLINE JU2	C7-8
OPTIONAL SUN ROOF JN3	C11
OPTIONAL SUN ROOF JN6	C12
OPTIONAL WINDSHIELD JN3	C9
OPTIONAL WINDSHIELD JN6	C10
REAR ARM SUSPENSION	A2
REAR WHEEL	B2
SEAT	B11
STEERING	A6
TRANSAXLE	A12 ,B1
-MODELS IN THIS CATALOG	D1



JU23100-E230

OPTIONAL LIGHT KIT STREAMLINE JU2



JU23100-E230

NOTE A: To order the correct service parts read the part number on the back of the Lens Assembly (5FU-H4320-00-00 or 5FU-H4320-10-00).

NOTE B: To determine which Holder (-00 or -02) you are working with, measure the Headlight Lens Adjusting Screw boss on the back of the Holder.

-00 = 35mm
-02 = 25mm

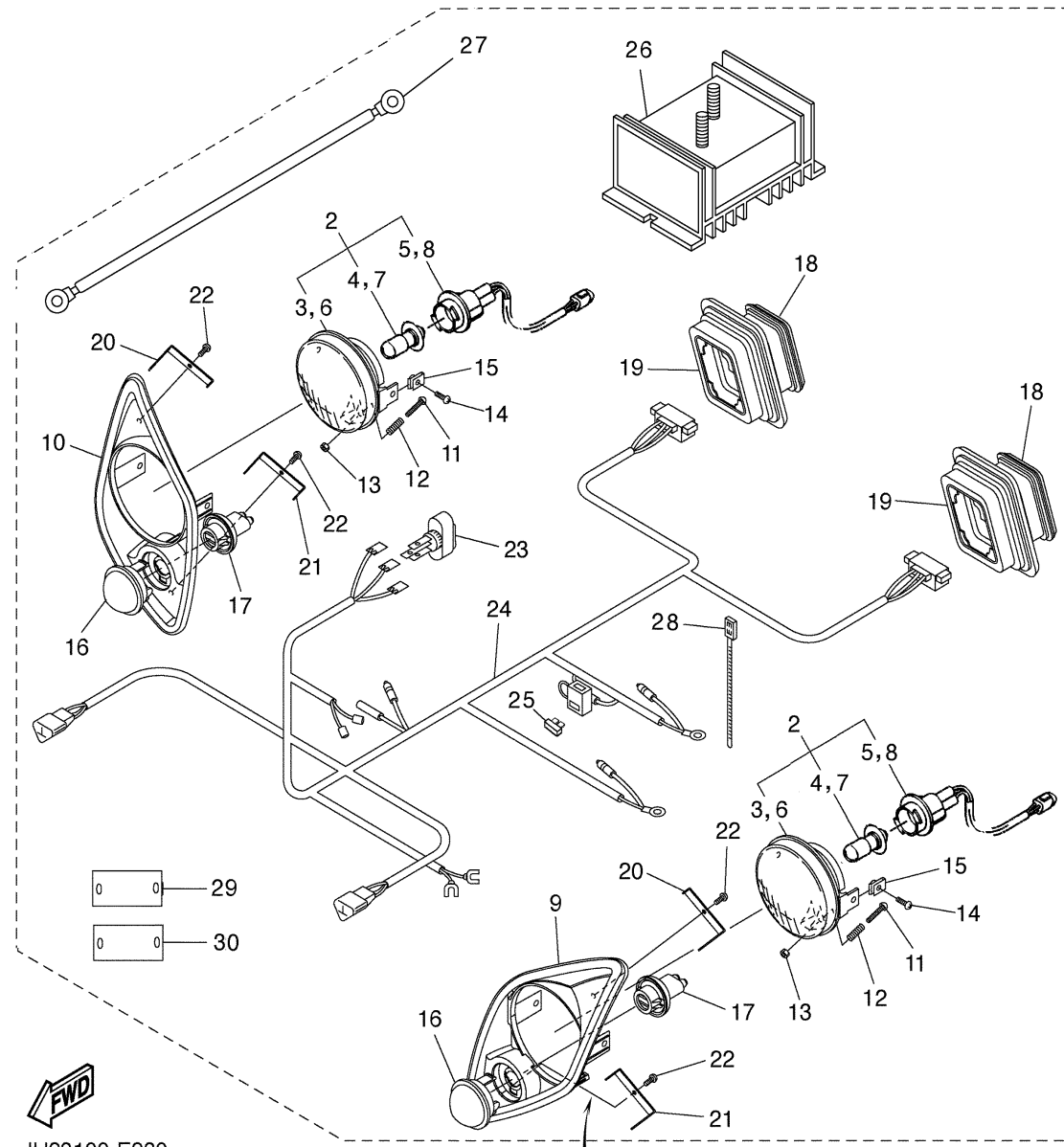
Ref. No.	Part Number	Description	Qty	Remarks
1	JU2-H430A-01-00	HEADLIGHT UNIT ASSY	1	
2	5FU-H4300-00-00	. HEADLIGHT ASSY	2	UR, SEE NOTE A
	5FU-H4300-10-00	. HEADLIGHT ASSY	2	UR, SEE NOTE A
3	5FU-H4320-00-00	.. LENS ASSY	2	UR, USE WITH -00 ASSY
4	5FU-H4314-00-00	.. BULB, HEADLIGHT (12V-3030W)	2	UR, USE WITH -00 LENS
5	5FU-H4340-00-00	.. SOCKET CORD ASSY	2	UR, FOR -00 BULB
6	5FU-H4320-10-00	.. LENS ASSY	2	UR, USE WITH -10 ASSY
7	5FU-H4314-10-00	.. BULB, HEADLIGHT (12V-3030W)	2	UR, USE WITH -10 LENS
8	5FU-H4340-10-00	.. SOCKET CORD ASSY	2	UR, USE WITH -10 LENS
9	JU7-H411T-00-00	. HOLDER, 1	1	USE WITH 15MM SPRING, SEE NOTE B
	JU7-H411T-02-00	. HOLDER, 1	1	USE WITH 34MM SPRING, SEE NOTE B
10	JU7-H411U-00-00	. HOLDER, 2	1	USE WITH 15MM SPRING, SEE NOTE B
	JU7-H411U-02-00	. HOLDER, 2	1	USE WITH 34MM SPRING, SEE NOTE B
11	98507-03540-00	. SCREW, PAN HEAD	2	
12	2GU-84332-00-00	. SPRING, SCREW	2	UR, GOLD L=34MM (FOR -02 HOLDER WITH 25MM BOSS)
	90501-10060-00	. SPRING, COMPRESSION	2	UR, BLACK L=15MM (FOR -00 HOLDER WITH 35MM BOSS)
13	2GU-84334-00-00	. NUT, ADJUSTING	2	
14	90150-05802-00	. SCREW, ROUND HEAD	4	
15	90183-05008-00	. NUT, SPRING	4	
16	JU7-H5415-00-00	. MARK, SIGNAL LAMP	2	

CONTENTS

ACCELERATOR	A11
BODY 1	B4-5
BODY 2	B6-7
BODY FITTING	B8
BRAKE 1	A7-8
BRAKE 2	A9
BRAKE 3	A10
BUMPER	B3
CARRIER	B9-10
CONTROLLER 1	C1
CONTROLLER 2	C2
ELECTRIC MOTOR	B12
ELECTRICAL 1	C3-4
FRAME	A3
FRONT SUSPENSION WHEEL	A4-5
OPTIONAL HUB CAPS	C5
OPTIONAL LIGHT KIT	C6
OPTIONAL LIGHT KIT STREAMLINE JU2	C7-8
OPTIONAL SUN ROOF JN3	C11
OPTIONAL SUN ROOF JN6	C12
OPTIONAL WINDSHIELD JN3	C9
OPTIONAL WINDSHIELD JN6	C10
REAR ARM SUSPENSION	A2
REAR WHEEL	B2
SEAT	B11
STEERING	A6
TRANSAXLE	A12, B1
-MODELS IN THIS CATALOG	D1

CONTINUED ON NEXT FRAME ➤

OPTIONAL LIGHT KIT STREAMLINE JU2



JU23100-E230

NOTE A: To order the correct service parts read the part number on the back of the Lens Assembly (5FU-H4320-00-00 or 5FU-H4320-10-00).

NOTE B: To determine which Holder (-00 or -02) you are working with, measure the Headlight Lens Adjusting Screw boss on the back of the Holder.

-00 = 35mm
-02 = 25mm

Ref. No.	Part Number	Description	Qty	Remarks
17	JU7-H3547-00-00	. COVER, SOCKET	2	
18	JU5-H4700-00-00	. TAILLIGHT ASSY	2	
19	JU5-H4718-00-00	. GROMMET	2	
20	JU7-H4118-01-00	. STAY, HEADLIGHT 1	2	
21	JU7-H4119-01-00	. STAY, HEADLIGHT 2	2	
22	97707-40112-00	. SCREW, TAPPING	4	
23	JU0-H3976-00-00	. SWITCH, HANDLE 1	1	
24	JU0-H4159-00-00	. CORD, HEADLIGHT	1	
25	42X-82151-00-00	. . FUSE, (10A-BL)	1	
26	JR1-H1910-00-00	. VOLTAGE REGULATOR ASSY	1	
27	JR1-H4149-00-00	. WIRE, LEAD 2	1	
28	GCA-JU012-51-00	. CLAMP	20	
29	GCA-JU012-41-00	. REFLECTOR, AMBER	2	
30	GCA-JU012-42-00	. REFLECTOR, RED	2	

CONTENTS

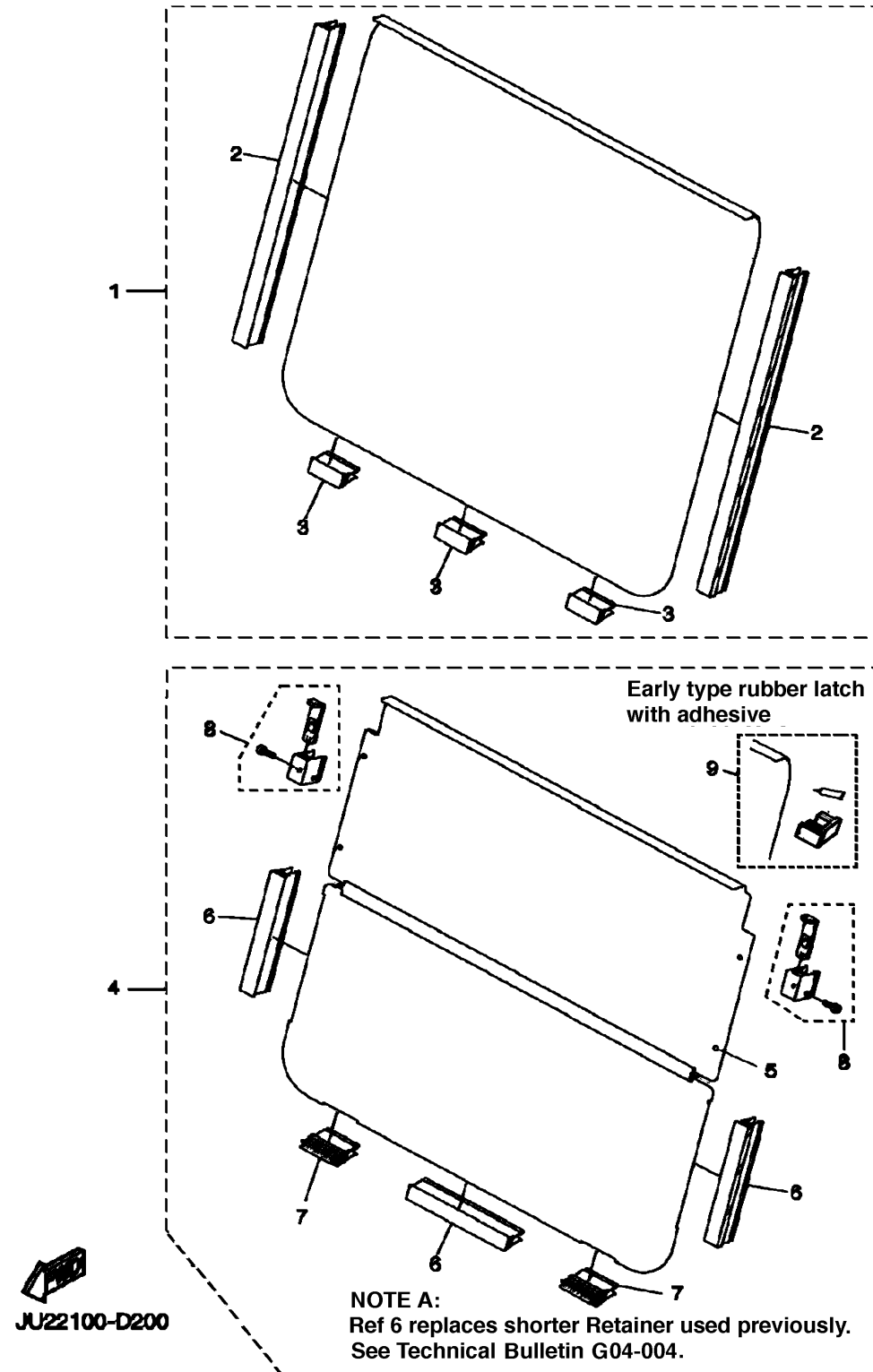
ACCELERATOR	A11
BODY 1	B4-5
BODY 2	B6-7
BODY FITTING	B8
BRAKE 1	A7-8
BRAKE 2	A9
BRAKE 3	A10
BUMPER	B3
CARRIER	B9-10
CONTROLLER 1	C1
CONTROLLER 2	C2
ELECTRIC MOTOR	B12
ELECTRICAL 1	C3-4
FRAME	A3
FRONT SUSPENSION WHEEL	A4-5
OPTIONAL HUB CAPS	C5
OPTIONAL LIGHT KIT	C6
OPTIONAL LIGHT KIT STREAMLINE JU2	C7-8
OPTIONAL SUN ROOF JN3	C11
OPTIONAL SUN ROOF JN6	C12
OPTIONAL WINDSHIELD JN3	C9
OPTIONAL WINDSHIELD JN6	C10
REAR ARM SUSPENSION	A2
REAR WHEEL	B2
SEAT	B11
STEERING	A6
TRANSAXLE	A12 ,B1
-MODELS IN THIS CATALOG	D1

OPTIONAL WINDSHIELD JN3

Ref. No.	Part Number	Description	Qty	Remarks
1	JN3-K7200-01-00	WINDSHIELD ASSEMBLY (ONE PIECE, CLEAR)	1	UR JN3 SUNTOP REQUIRED
2	JU0-K838C-00-00	. HOLDER SHIELD	2	29 INCHES
3	JU0-K722A-01-00	. FASTENER	2	
4	JN3-K7200-22-00	WINDSHIELD ASSEMBLY (HINGED, CLEAR)	1	UR JN3 SUNTOP REQUIRED
	JN3-K7200-32-00	WINDSHIELD ASSEMBLY (HINGED, TINTED)	1	UR JN3 SUNTOP REQUIRED
5	JN3-K7238-00-00	. DAMPER, WINDSHIELD	6	
6	JU0-K838B-09-00	. RETAINER 2	3	SEE NOTE A
7	JU0-K7222-01-00	. BRACKET, WIINDSHIELD	2	
8	JU0-K722E-00-00	. LATCH, SLIDE	2	
9	ACC-CCGLU-ES-ET	HINGED WINDOW MTG BRACKET	1	UR PREVIOUS DESIGN RUBBER LATCH W/GLUE

CONTENTS

ACCELERATOR	A11
BODY 1	B4-5
BODY 2	B6-7
BODY FITTING	B8
BRAKE 1	A7-8
BRAKE 2	A9
BRAKE 3	A10
BUMPER	B3
CARRIER	B9-10
CONTROLLER 1	C1
CONTROLLER 2	C2
ELECTRIC MOTOR	B12
ELECTRICAL 1	C3-4
FRAME	A3
FRONT SUSPENSION WHEEL	A4-5
OPTIONAL HUB CAPS	C5
OPTIONAL LIGHT KIT	C6
OPTIONAL LIGHT KIT STREAMLINE JU2	C7-8
OPTIONAL SUN ROOF JN3	C11
OPTIONAL SUN ROOF JN6	C12
OPTIONAL WINDSHIELD JN3	C9
OPTIONAL WINDSHIELD JN6	C10
REAR ARM SUSPENSION	A2
REAR WHEEL	B2
SEAT	B11
STEERING	A6
TRANSAXLE	A12 ,B1
-MODELS IN THIS CATALOG	D1

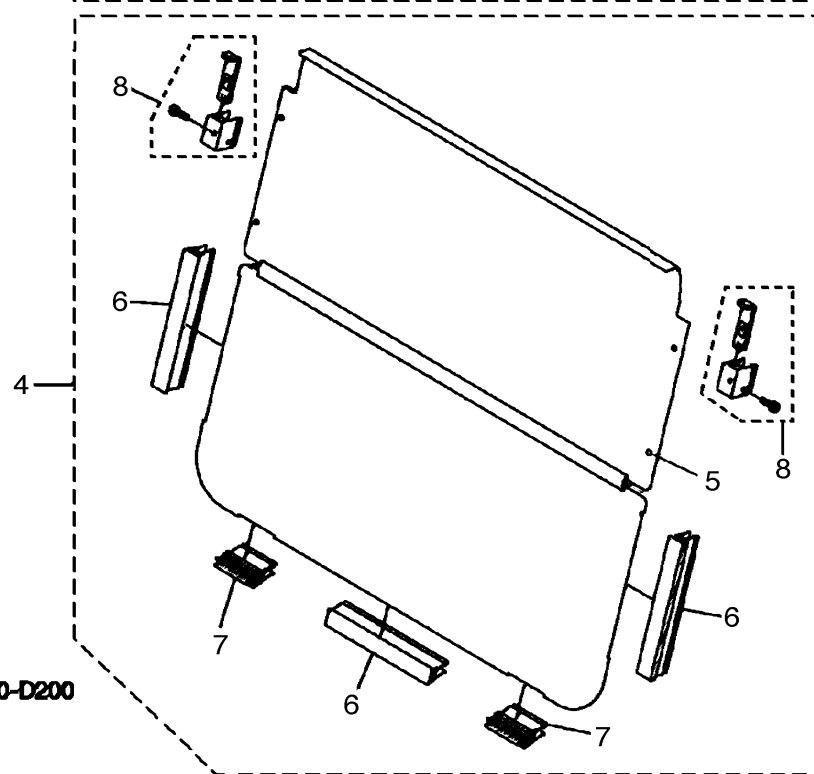
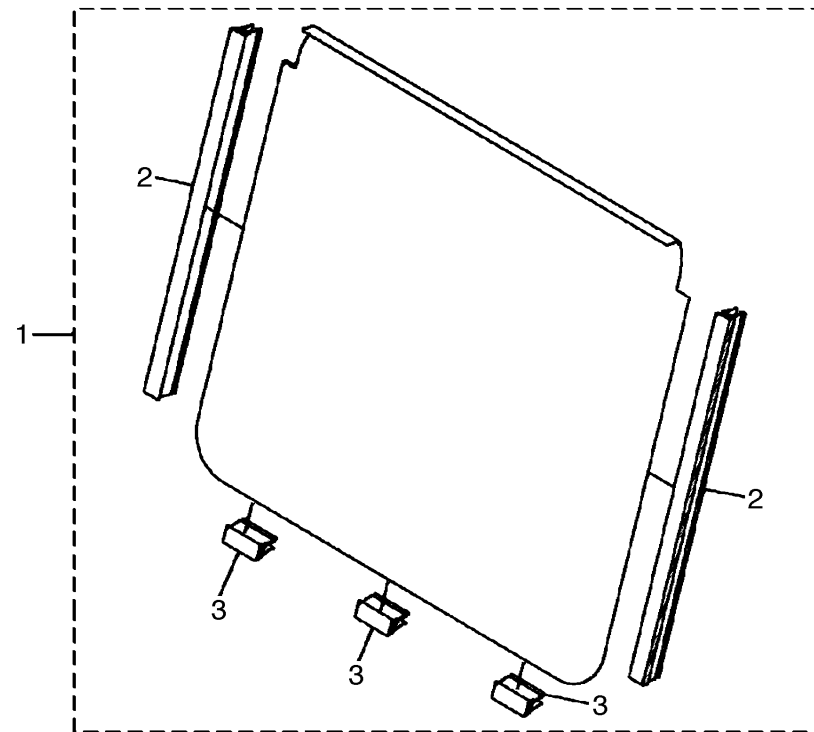


OPTIONAL WINDSHIELD JN6

Ref. No.	Part Number	Description	Qty	Remarks
1	JN6-K7200-00-00	WIINDSHIELD, CLEAR 1 PIECE	1	UR, JN6 SUNTOP
2	JU0-K838C-00-00	. HOLDER SHIELD	2	29 INCHES
3	JU0-K838A-10-00	. FASTNER, 2	3	
4	JN6-K7200-22-00	WINDSHIELD ASSY, (HINGED, CLEAR)	1	UR, JN6 SUNTOP
	JN6-K7200-32-00	WINDSHIELD ASSY, (HINGED, TINTED)	1	UR, JN6 SUNTOP
5	JU0-K7238-00-00	. DAMPER, WINDSHIELD	4	
6	JU0-K838B-00-00	. RETAINER 2	3	10 INCHES
7	JU0-K7222-01-00	. BRACKET, WIINDSHIELD ...	2	2 INCHES
8	JU0-K722E-00-00	. LATCH, SLIDE	1	

CONTENTS

ACCELERATOR	A11
BODY 1	B4-5
BODY 2	B6-7
BODY FITTING	B8
BRAKE 1	A7-8
BRAKE 2	A9
BRAKE 3	A10
BUMPER	B3
CARRIER	B9-10
CONTROLLER 1	C1
CONTROLLER 2	C2
ELECTRIC MOTOR	B12
ELECTRICAL 1	C3-4
FRAME	A3
FRONT SUSPENSION WHEEL	A4-5
OPTIONAL HUB CAPS	C5
OPTIONAL LIGHT KIT	C6
OPTIONAL LIGHT KIT STREAMLINE JU2	C7-8
OPTIONAL SUN ROOF JN3	C11
OPTIONAL SUN ROOF JN6	C12
OPTIONAL WINDSHIELD JN3	C9
OPTIONAL WINDSHIELD JN6	C10
REAR ARM SUSPENSION	A2
REAR WHEEL	B2
SEAT	B11
STEERING	A6
TRANSAXLE	A12 ,B1
-MODELS IN THIS CATALOG	D1



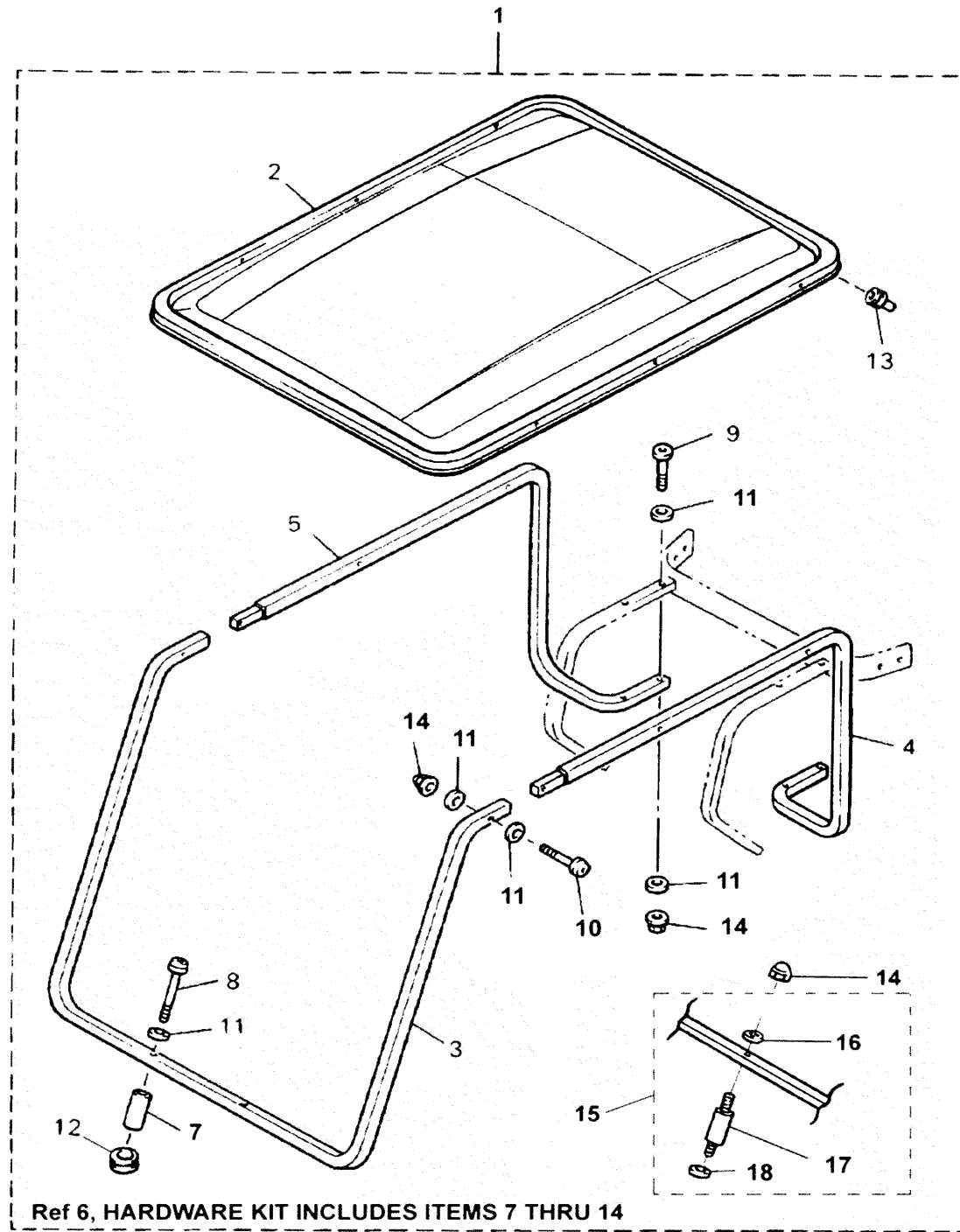
JU22100-D200


OPTIONAL SUN ROOF JN3

Ref. No.	Part Number	Description	Qty	Remarks
1	JN3-K8310-10-00	SUN ROOF ASSEMBLY	1	UR AP
2	JN3-K8314-00-00	. COVER, SUNROOF	1	
3	JN3-K8312-00-00	. SUPPORT, ROOF 1	1	
4	JN3-K8313-00-00	. SUPPORT, ROOF 2	1	
5	JN3-K831A-00-00	. SUPPORT, ROOF 3	1	
6	ABA-JN398-99-00	. HARDWARE, SUNTOP	1	
7	90387-09826-00	.. COLLAR	2	
8	90101-08862-00	.. BOLT	2	
9	90101-22864-00	.. BOLT	4	NOT AVAILABLE SEPARATELY
10	90101-22863-00	.. BOLT	6	
11	90201-088E5-00	.. WASHER, PLATE	24	
12	JN3-K832F-00-00	.. GROMMET, ROOF SUPPORT	2	
13	JN3-K832G-00-00	.. GROMMET, ROOF	2	
14	90185-12835-00	.. NUT, SELF-LOCK	10	
15	JN6-K834A-02-KT	HOLDER, REINFORCEMENT ..	1	UR AP
16	90201-098J4-00	. WASHER, PLAIN	2	
17	JN6-K834A-02-00	. HOLDER, REINFORCEMENT .	2	
18	9299R-08600-00	. WASHER, PLATE	2	

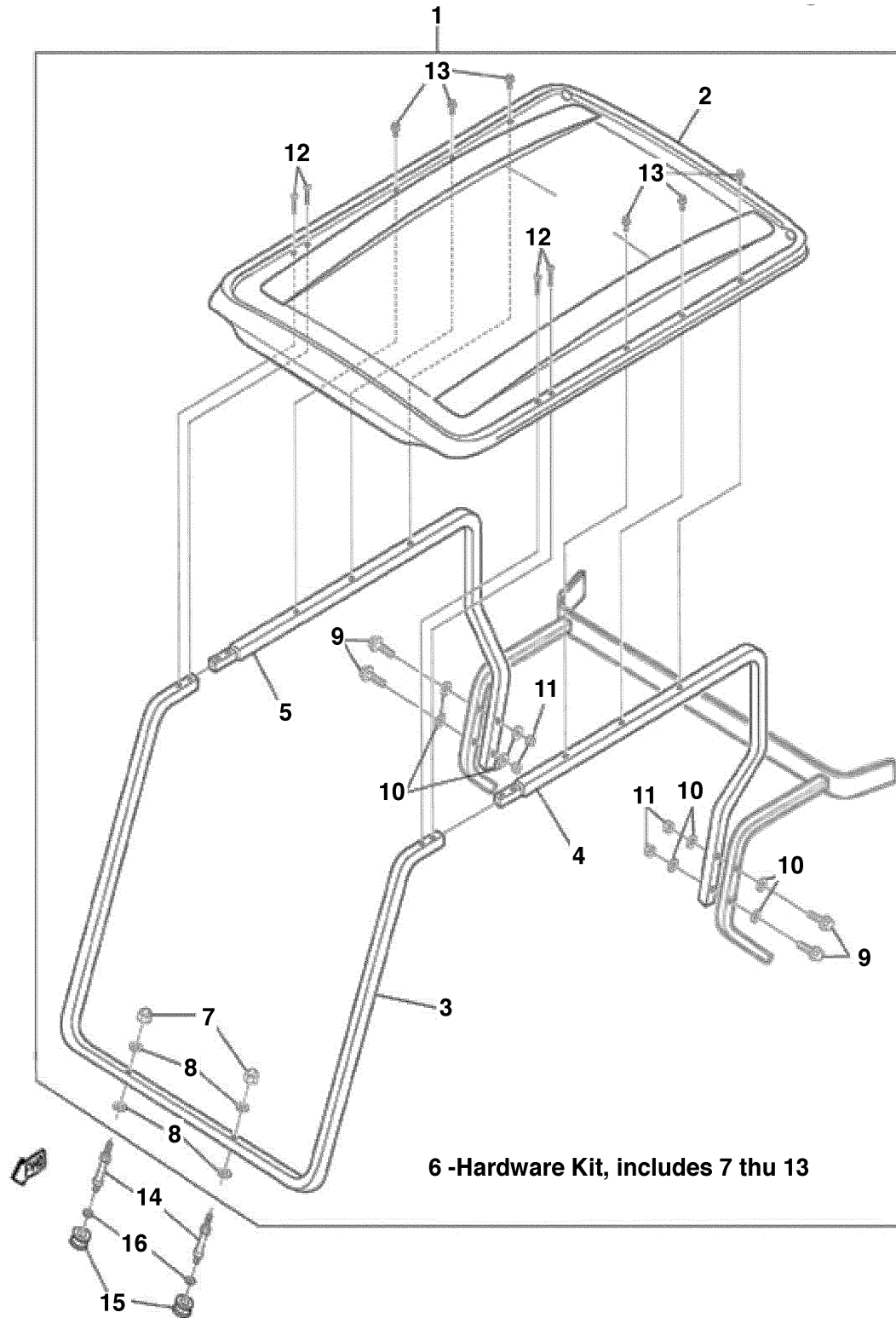
CONTENTS

ACCELERATOR	A11
BODY 1	B4-5
BODY 2	B6-7
BODY FITTING	B8
BRAKE 1	A7-8
BRAKE 2	A9
BRAKE 3	A10
BUMPER	B3
CARRIER	B9-10
CONTROLLER 1	C1
CONTROLLER 2	C2
ELECTRIC MOTOR	B12
ELECTRICAL 1	C3-4
FRAME	A3
FRONT SUSPENSION WHEEL	A4-5
OPTIONAL HUB CAPS	C5
OPTIONAL LIGHT KIT	C6
OPTIONAL LIGHT KIT	
STREAMLINE JU2	C7-8
OPTIONAL SUN ROOF JN3	C11
OPTIONAL SUN ROOF JN6	C12
OPTIONAL WINDSHIELD JN3	C9
OPTIONAL WINDSHIELD JN6	C10
REAR ARM SUSPENSION	A2
REAR WHEEL	B2
SEAT	B11
STEERING	A6
TRANSAXLE	A12 ,B1
-MODELS IN THIS CATALOG	D1



 JN3100-5371

OPTIONAL SUN ROOF JN6



Ref. No.	Part Number	Description	Qty	Remarks
1	JN6-K8310-12-00	SUNTOP KIT	1	
2	JN6-K8314-00-00	. COVER, SUN ROOF	1	
3	JN6-K8312-00-00	. SUPPORT, SUN ROOF 1	1	FRONT
4	JN6-K8313-12-00	. SUPPORT, SUN ROOF 2	1	LH SIDE
5	JN6-K831A-12-00	. SUPPORT, SUN ROOF 2	1	RH SIDE
6	ABA-JN6K8-31-00	. HARDWARE KIT SUNTOP ...	1	
7	90176-08801-00	.. NUT, CAP	2	
8	90201-098J4-00	.. WASHER, PLAIN	4	
9	90101-22864-00	.. BOLT	4	70MM LONG (NOT AVAILABLE SEPARATELY)
10	90201-088T2-00	.. WASHER, PLAIN	8	
11	90185-12835-00	.. NUT, SELF-LOCK	4	(NOT AVAILABLE SEPARATELY)
12	90110-06800-00	.. SCREW	4	16MM LONG (NOT AVAILABLE SEPARATELY)
13	90269-08800-00	.. RIVET	6	WHITE PLASTIC RIVET
14	JN6-K834A-02-00	HOLDER, REINFORCEMENT ..	2	UR, NOT INCLUDED
15	JN3-K832F-00-00	GROMMET, ROOF SUPPORT ..	2	UR, NOT INCLUDED
16	9299R-08600-00	WASHER, PLATE	2	UR, NOT INCLUDED

CONTENTS

ACCELERATOR	A11
BODY 1	B4-5
BODY 2	B6-7
BODY FITTING	B8
BRAKE 1	A7-8
BRAKE 2	A9
BRAKE 3	A10
BUMPER	B3
CARRIER	B9-10
CONTROLLER 1	C1
CONTROLLER 2	C2
ELECTRIC MOTOR	B12
ELECTRICAL 1	C3-4
FRAME	A3
FRONT SUSPENSION WHEEL	A4-5
OPTIONAL HUB CAPS	C5
OPTIONAL LIGHT KIT	C6
OPTIONAL LIGHT KIT STREAMLINE JU2	C7-8
OPTIONAL SUN ROOF JN3	C11
OPTIONAL SUN ROOF JN6	C12
OPTIONAL WINDSHIELD JN3	C9
OPTIONAL WINDSHIELD JN6	C10
REAR ARM SUSPENSION	A2
REAR WHEEL	B2
SEAT	B11
STEERING	A6
TRANSAXLE	A12 ,B1
-MODELS IN THIS CATALOG	D1

~MODELS IN THIS CATALOG

Ref. No.	Part Number	Description	Qty	Remarks
-------------	----------------	-------------	-----	---------

CONTENTS

ACCELERATOR	A11
BODY 1	B4-5
BODY 2	B6-7
BODY FITTING	B8
BRAKE 1	A7-8
BRAKE 2	A9
BRAKE 3	A10
BUMPER	B3
CARRIER	B9-10
CONTROLLER 1	C1
CONTROLLER 2	C2
ELECTRIC MOTOR	B12
ELECTRICAL 1	C3-4
FRAME	A3
FRONT SUSPENSION WHEEL	A4-5
OPTIONAL HUB CAPS	C5
OPTIONAL LIGHT KIT	C6
OPTIONAL LIGHT KIT	
STREAMLINE JU2	C7-8
OPTIONAL SUN ROOF JN3	C11
OPTIONAL SUN ROOF JN6	C12
OPTIONAL WINDSHIELD JN3	C9
OPTIONAL WINDSHIELD JN6	C10
REAR ARM SUSPENSION	A2
REAR WHEEL	B2
SEAT	B11
STEERING	A6
TRANSAXLE	A12 ,B1
~MODELS IN THIS CATALOG	D1

1995 G14EM (JN4)

STARTING FRAME: JN4-100101 and following

1996 G14EP (JN4)

STARTING FRAME: JN4-200101 and following

ALL THESE MODELS USE THIS SAME PARTS CATALOG.
BE SURE TO ORDER ONLY THOSE PARTS APPLICABLE
TO THE DESIRED MODEL.