

# PARTS CATALOGUE GOLF CAR

- 1996 G16EP (JN8)
- 1997 G16ER (JN8)
- 1998 G16ES (JN8)
- 1999 G16ET (JN8)
- 2000 G16EU (JN8)
- 2001 G16EW (JN8)
- 2002 G16EX (JN8)

STARTING FRAME: JN8-000101 and following

- OWNERS LIT-19626-16-97 ('96~ 99)
- OWNERS LIT-19666-16-00 ('00~ 02)
- SERVICE LIT-19616-00-00

## CONTENTS

ACCELERATOR	B3
BODY 1	B8-9
BODY 2	B10-11
BODY FITTING	B12
BRAKE 1	A10-12
BRAKE 2	B1
BRAKE 3	B2
BUMPER	B7
CARRIER	C1
CONTROLLER 1	C5
CONTROLLER 2	C6
ELECTRIC MOTOR	C4
ELECTRICAL 1	C7-8
FRAME	A6
FRONT SUSPENSION WHEEL	A7-8
OPTIONAL GAUGES	C9
OPTIONAL HUB CAPS	C10
OPTIONAL LIGHT KIT	D3
OPTIONAL LIGHT KIT STREAMLINE JU2	D4-5
OPTIONAL SUN ROOF JN3	D1
OPTIONAL SUN ROOF JN6	D2
OPTIONAL WINDSHIELD JN3	C11
OPTIONAL WINDSHIELD JN6	C12
REAR ARM SUSPENSION	A5
REAR AXLE MOUNT WHEEL	B6
SEAT	C2-3
STEERING	A9
TRANSAXLE 1	B4-5
~MODELS IN THIS CATALOG	D6

# CONTENTS

ACCELERATOR	B3
BODY 1	B8-9
BODY 2	B10-11
BODY FITTING	B12
BRAKE 1	A10-12
BRAKE 2	B1
BRAKE 3	B2
BUMPER	B7
CARRIER	C1
CONTROLLER 1	C5
CONTROLLER 2	C6
ELECTRIC MOTOR	C4
ELECTRICAL 1	C7-8
FRAME	A6
FRONT SUSPENSION WHEEL	A7-8
OPTIONAL GAUGES	C9
OPTIONAL HUB CAPS	C10
OPTIONAL LIGHT KIT	D3
OPTIONAL LIGHT KIT	
STREAMLINE JU2	D4-5
OPTIONAL SUN ROOF JN3	D1
OPTIONAL SUN ROOF JN6	D2
OPTIONAL WINDSHIELD JN3	C11
OPTIONAL WINDSHIELD JN6	C12
REAR ARM SUSPENSION	A5
REAR AXLE MOUNT WHEEL	B6
SEAT	C2-3
STEERING	A9
TRANSAXLE 1	B4-5
-MODELS IN THIS CATALOG	D6

## FOREWORD

### -INTRODUCTION- To The Yamaha Parts Fiche

This parts fiche lists parts and sub-assemblies for the G16EP, ER, ES, ET, EU, EW and EX. When preparing a parts order, please refer to the most recently updated microfiche for this model.

#### THE YAMAHA PARTS FICHE

##### SYMBOLS

[ ]	Inactive, no longer available
U.R.	Use size (thickness) and/or number as required
U.N.	Use as many as you need
T	Number of teeth in a gear
V	Voltage for light bulbs
S	"S" type oil seal or "S" type circlip
SD,SO,SW	"SD", "SO", or "SW" type oil seal
E,R	"E" or "R" type circlip
F/No.	Frame No. (Applicable Machine No.)
L.M.	Locally made
O.L.	Obtain locally
AP	Alternate Part

##### SUPERSEDED PART NUMBERS

If part 'A' has been superseded by part 'B', the superseding part number "B" will appear in the part number listing with the superseded part number "A" appearing in parentheses immediately following the description.

##### EXAMPLE:

Ref. No.	Part No.	Description	Qty.
	(Part 'B')	(Part 'A')	
8	123-45678-00-00	CYLINDER (111-12345-00-00) .....	1

A part that has been supersede to a kit may be identified by a 99999-00000-00 part number appearing in the part number column. The old superseded part number will appear in parentheses immediately following the description. Listed directly below the 99999 part number will be those parts making up the kit. The description of the parts making up the kit will be preceded by a small black dot (.) and the description will be indented one letter space.

##### EXAMPLE:

Ref. No.	Part No.	Description .....	Qty.
8	99999-12345-00	CYLINDER (111-12345-00-00)	1
	234-56789-00-00	• HEAD, CYLINDER	1

##### SIZES

Except for steel balls (ball sizes are indicated in inches), all parts sizes are indicated in millimeters as in the following examples:

Hose (Rubber or Vinyl) .....	Inside Diameter - Length
O-Ring.....	Section Area - Inside Diameter
Washer, Shim, Collar.....	Inside Diameter - Outside Diameter Thickness (Length)

##### ASSEMBLIES AND COMPONENT PARTS

Assemblies and their component parts, are identified by an indentation of one letter space, and the description is preceded by a dot (.). If two main assemblies are listed, and have the same basic description (i.e.: left and right sides of the same assembly), one will immediately follow the other. If each of these main assemblies is made up of almost the same components, these component parts will be listed immediately under the second main assembly line and will be indicated, as noted above.

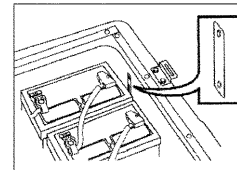
If the component is the same for both main assemblies, the quantity indicated will be the total required. If the component is not the same for both main assemblies, the quantity for each separate item will be listed separately.

##### EXAMPLE:

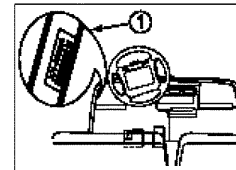
Description	Qty
CARBURETOR ASSY, LEFT .....	1
CARBURETOR ASSY, RIGHT .....	1
. JET, PILOT .....	2
. NOZZLE, MAIN .....	2
. LEVER, STARTER, LEFT .....	1
. LEVER, STARTER, RIGHT .....	1

##### APPLICABLE SERIAL NO.

(1) Engine Serial No.



(2) Frame Serial No.



# CONTENTS

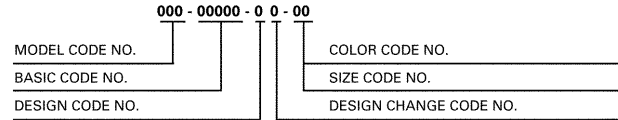
ACCELERATOR	B3
BODY 1	B8-9
BODY 2	B10-11
BODY FITTING	B12
BRAKE 1	A10-12
BRAKE 2	B1
BRAKE 3	B2
BUMPER	B7
CARRIER	C1
CONTROLLER 1	C5
CONTROLLER 2	C6
ELECTRIC MOTOR	C4
ELECTRICAL 1	C7-8
FRAME	A6
FRONT SUSPENSION WHEEL	A7-8
OPTIONAL GAUGES	C9
OPTIONAL HUB CAPS	C10
OPTIONAL LIGHT KIT	D3
OPTIONAL LIGHT KIT	
STREAMLINE JU2	D4-5
OPTIONAL SUN ROOF JN3	D1
OPTIONAL SUN ROOF JN6	D2
OPTIONAL WINDSHIELD JN3	C11
OPTIONAL WINDSHIELD JN6	C12
REAR ARM SUSPENSION	A5
REAR AXLE MOUNT WHEEL	B6
SEAT	C2-3
STEERING	A9
TRANSAXLE 1	B4-5
-MODELS IN THIS CATALOG	D6

## FOREWORD

### THE YAMAHA PART NUMBER

The Yamaha part number consists of 12 digits. Each number represents a specific piece of information relating to a replacement part. The following is a guide for reading and interpreting the Yamaha part number.

### BASIC PART NUMBER CONFIGURATION:



### MODEL CODE NUMBER

FIRST THREE DIGITS . . . 000-00000-00-00

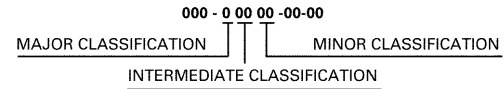
Every model in each Yamaha product line is assigned a model number to identify that particular model. All component parts are given the model code number relating to the model on which they were first used.

Example: 4DU-00000-00-00 identifies the XJ600SE.  
3FA-00000-00-00 identifies the YFA1E.

### BASIC CODE NUMBER

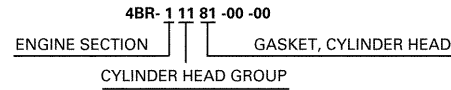
MIDDLE FIVE DIGITS . . . 000-00000-00-00

These "Middle Five Digits" indicate the type of part i.e., piston, rings, lower units, etc. The five digits are broken down as follows:



The "Major Classification" indicates the section to which the parts belong, i.e., engine, electrical etc. The "Intermediate" and "Minor Classifications" indicate more specific details.

Example:



### DESIGN CODE NUMBER: 000-00000-00-00

The design code distinguishes like component parts from one another when specification differences are involved. For example, distinguishing a standard size piston ring from an oversized piston ring.

Example:

4BR-11610- 0 0-00 Standard Piston Ring Set for XJ600SE  
4BR-11610- 2 0-00 Oversize Piston Ring Set for XJ600SE

### DESIGN CHANGE CODE NUMBER: 000-00000-00-00

This code number is used to identify a difference between a new component part and old one when a new part is created by changing the old one.

Example: YFZ350E

2GU-11610-0 0 -00 PISTON RING SET, STD. - ORIGINAL  
2GU-11610-0 1 -00 PISTON RING SET, STD. - FIRST DESIGN CHANGE

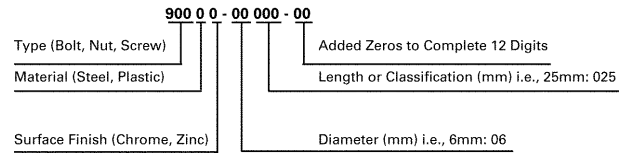
Only major changes to performance, durability, quality, appearance, cost or interchangeability will affect a part number change.

### COLOR CODE & SIZE CODE NUMBER: 000-00000-00-00

When applicable, the last two digits of the part number identify:

1. Color Code: The painted color or type of plating or surface treatment used on certain parts.
2. Size Code: The last two digits are also used to show the size of parts (mm). Such as the thickness of shims or the size of pistons.

### HARDWARE (Fastener) PART NUMBER CONFIGURATION:



### TYPE:

A fastener part number always begins with the number "9" followed by either a 0, 1, 2, 3, 4, 5, 6, 7 or 8 designating one of eight major divisions within this group.

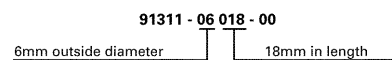
## FOREWORD

**Example:**

- 9 0 000-00000-00 "0" designates various types.
- 9 1 000-00000-00 "1" designates bolts, cotter pins, etc.
- 9 2 000-00000-00 "2" designates screw, nuts, etc.
- 9 3 000-00000-00 "3" designates oil seals, o-rings, bearings, etc.
- 9 4 000-00000-00 "4" designates spark plugs.
- 9 5 000-00000-00 "5" designates bolts and nuts.
- 9 7 000-00000-00 "7" designates ISO bolts.
- 9 8 000-00000-00 "8" designates ISO screws and nuts.

The only major divisions which the mechanic should become familiar with are those related to the general hardware (nuts, bolts, and washers), since these are the most commonly used and most often replaced items. By knowing how to interpret the part number, the dimensions of a piece of hardware can be determined. This can be very helpful during major engine repair, and general parts replacement.

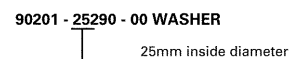
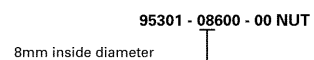
**BOLT EXAMPLE:**



**EXCEPTION:**

It is NOT possible to identify the LENGTH of bolts having a 901 prefix. Only the bolt diameter can be identified with this number.

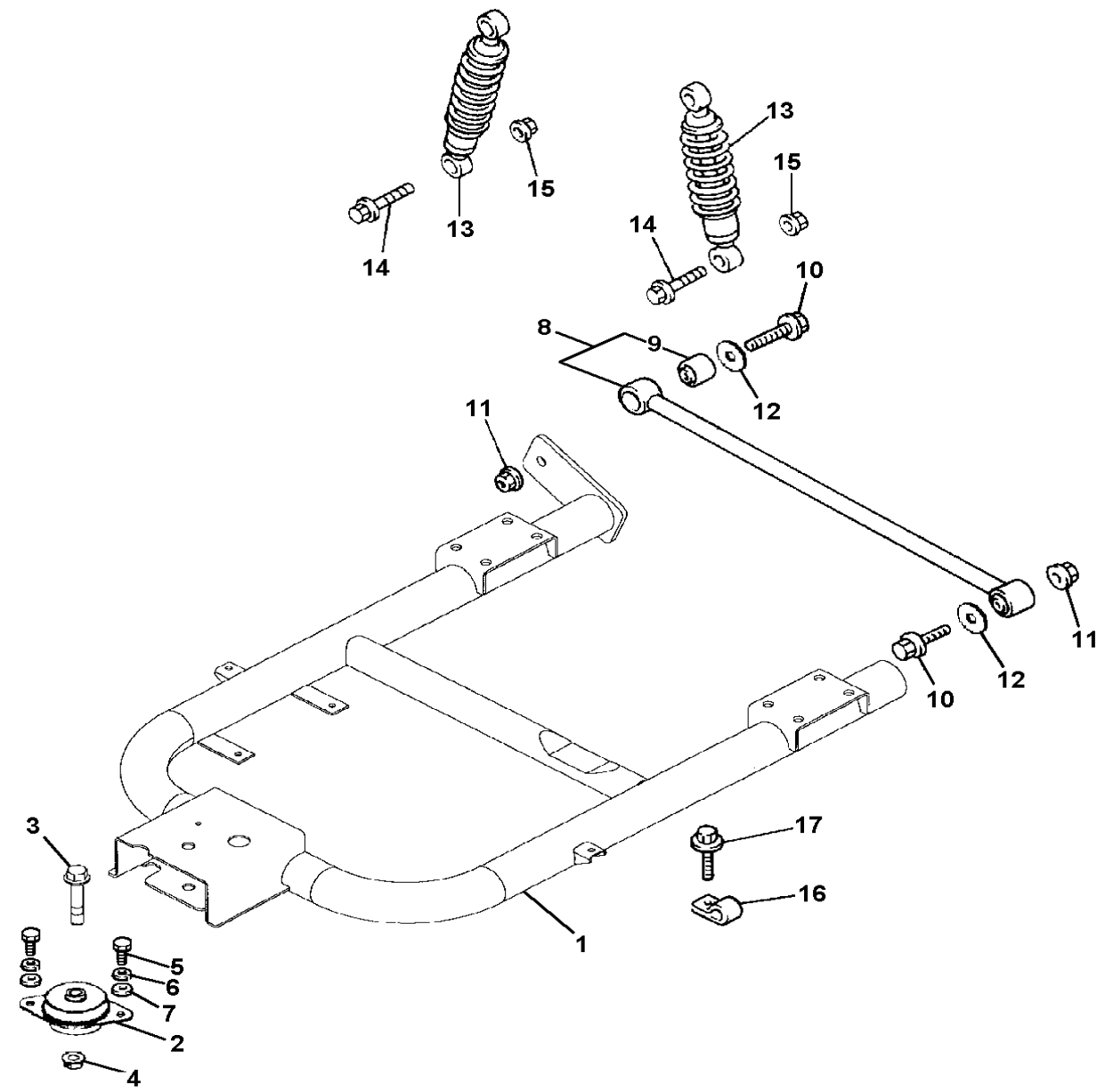
**NUT AND WASHER EXAMPLE:**



## CONTENTS

ACCELERATOR	B3
BODY 1	B8-9
BODY 2	B10-11
BODY FITTING	B12
BRAKE 1	A10-12
BRAKE 2	B1
BRAKE 3	B2
BUMPER	B7
CARRIER	C1
CONTROLLER 1	C5
CONTROLLER 2	C6
ELECTRIC MOTOR	C4
ELECTRICAL 1	C7-8
FRAME	A6
FRONT SUSPENSION WHEEL	A7-8
OPTIONAL GAUGES	C9
OPTIONAL HUB CAPS	C10
OPTIONAL LIGHT KIT	D3
OPTIONAL LIGHT KIT	D3
STREAMLINE JU2	D4-5
OPTIONAL SUN ROOF JN3	D1
OPTIONAL SUN ROOF JN6	D2
OPTIONAL WINDSHIELD JN3	C11
OPTIONAL WINDSHIELD JN6	C12
REAR ARM SUSPENSION	A5
REAR AXLE MOUNT WHEEL	B6
SEAT	C2-3
STEERING	A9
TRANSAXLE 1	B4-5
-MODELS IN THIS CATALOG	D6

# REAR ARM SUSPENSION



Ref. No.	Part Number	Description	Qty	Remarks
1	JN8-F2110-00-00	REAR ARM COMP. ....	1	
2	JN6-F2123-01-00	BUSHING, 1 ....	1	
3	90105-13864-00	BOLT, FLANGE ....	1	
4	90179-13878-00	NUT ....	1	
5	97017-10020-00	BOLT, HEX HEAD ....	2	
6	92907-10100-00	WASHER, LOCK ....	2	
7	92907-10600-00	WASHER, PLATE ....	2	
8	JN6-F2172-00-00	ROD, CONNECTING ....	1	
9	JN6-F2124-00-00	BUSHING, 2 ....	2	
10	95817-12065-00	BOLT, FLANGE ....	2	
11	95617-12200-00	NUT, SELF-LOCKING ....	2	
12	90201-12426-00	WASHER, PLAIN ....	2	
13	JN4-F2210-00-00	SHOCK ABSORBER ....	2	
14	95807-10055-00	BOLT, FLANGE ....	4	
15	95607-10200-00	NUT, (RH THREAD) ....	4	
16	90462-20186-00	CLAMP ....	2	
17	95817-06016-00	BOLT, FLANGE ....	2	

## CONTENTS

ACCELERATOR	B3
BODY 1	B8-9
BODY 2	B10-11
BODY FITTING	B12
BRAKE 1	A10-12
BRAKE 2	B1
BRAKE 3	B2
BUMPER	B7
CARRIER	C1
CONTROLLER 1	C5
CONTROLLER 2	C6
ELECTRIC MOTOR	C4
ELECTRICAL 1	C7-8
FRAME	A6
FRONT SUSPENSION WHEEL	A7-8
OPTIONAL GAUGES	C9
OPTIONAL HUB CAPS	C10
OPTIONAL LIGHT KIT	D3
OPTIONAL LIGHT KIT	
STREAMLINE JU2	D4-5
OPTIONAL SUN ROOF JN3	D1
OPTIONAL SUN ROOF JN6	D2
OPTIONAL WINDSHIELD JN3	C11
OPTIONAL WINDSHIELD JN6	C12
REAR ARM SUSPENSION	A5
REAR AXLE MOUNT WHEEL	B6
SEAT	C2-3
STEERING	A9
TRANSAXLE 1	B4-5
-MODELS IN THIS CATALOG	D6



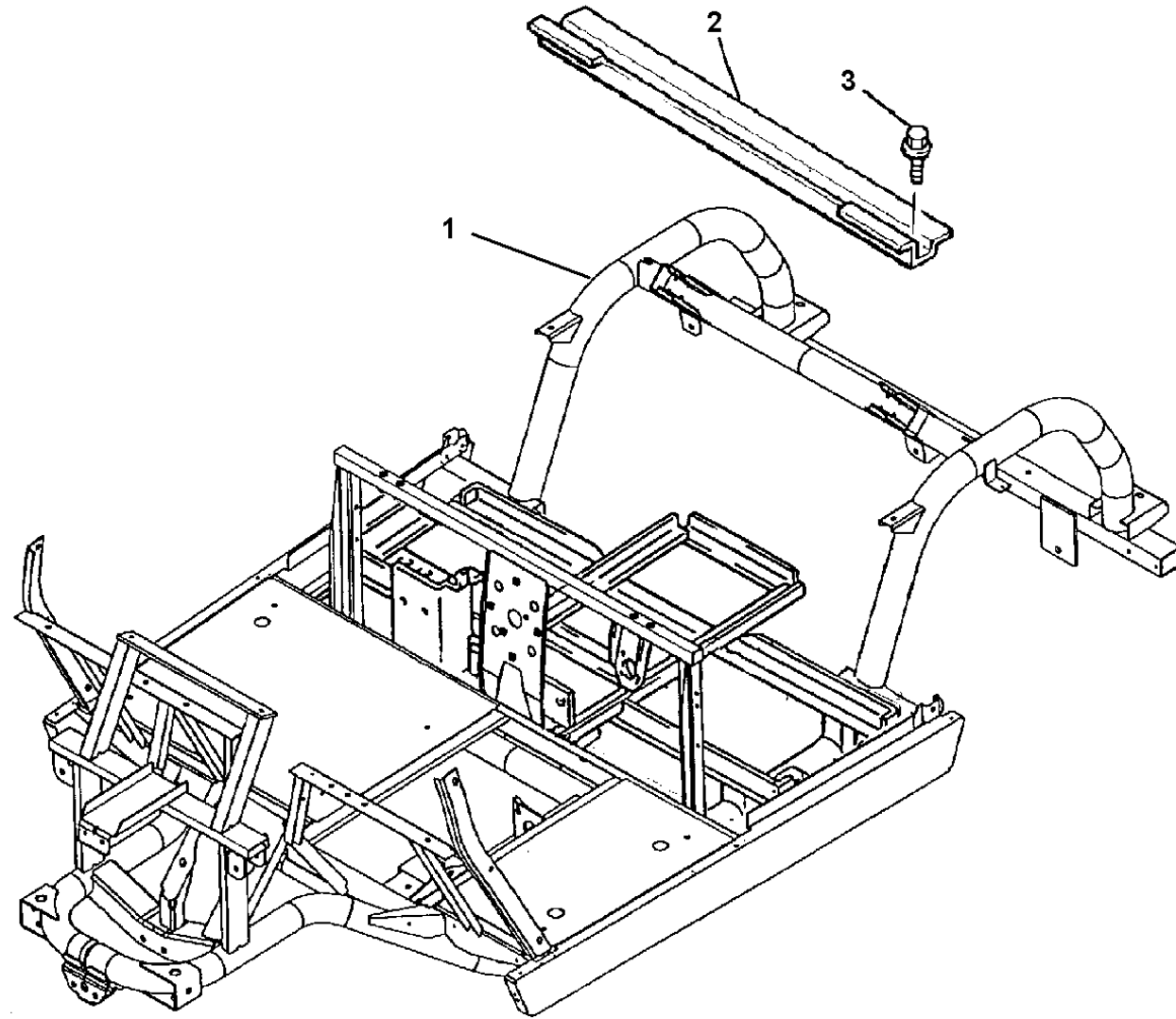
JN8100-6010


# FRAME

Ref. No.	Part Number	Description	Qty	Remarks
1	JR1-F2501-02-00	FRAME COMP. ....	1	~JN8-400100
	JR8-F2501-01-00	FRAME COMP. ....	1	JN8-400101~
2	JN6-F254R-00-00	SUPPORT, BODY MOUNTING .	1	
3	95817-08016-00	BOLT, FLANGE .....	2	

## CONTENTS

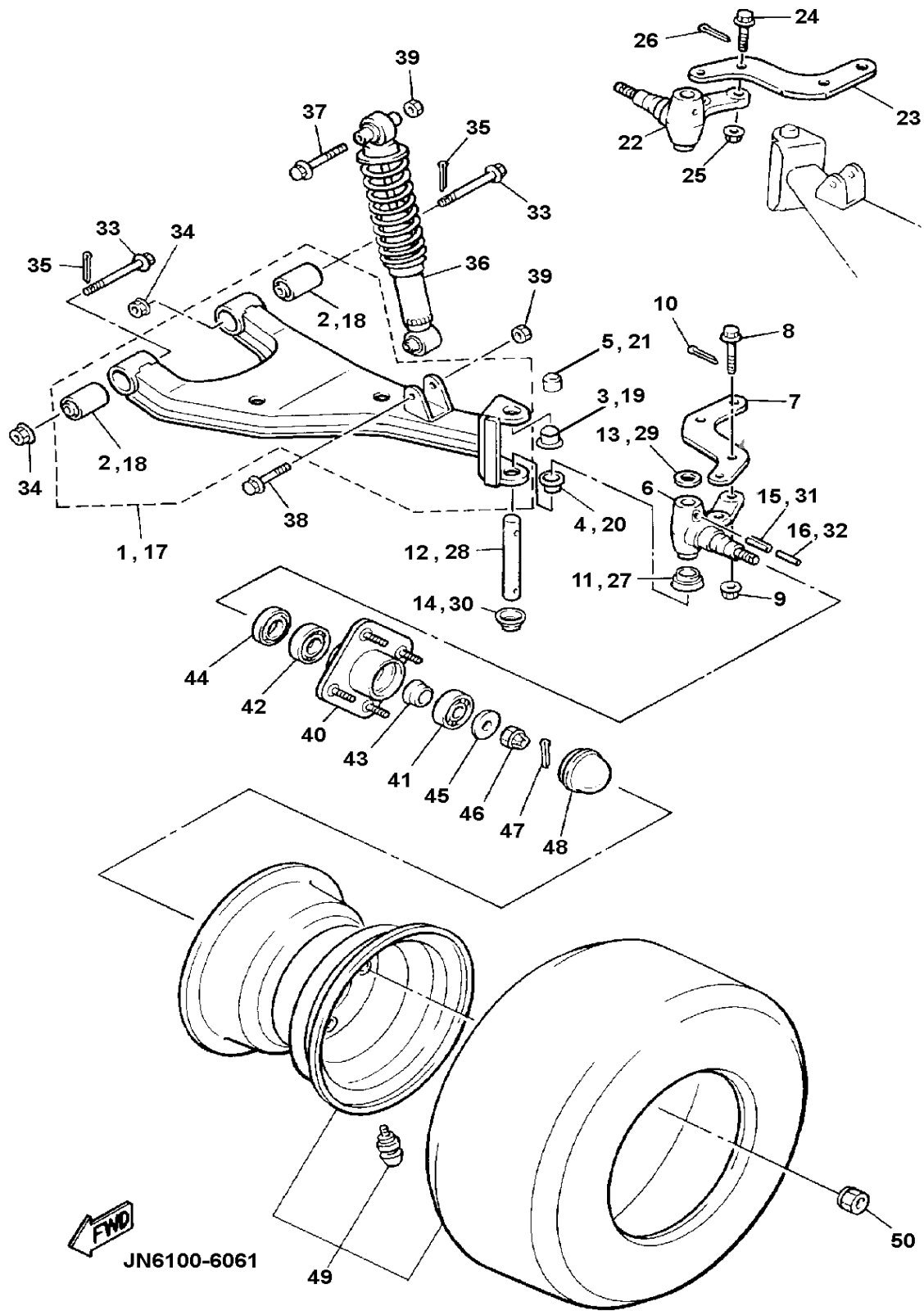
ACCELERATOR	B3
BODY 1	B8-9
BODY 2	B10-11
BODY FITTING	B12
BRAKE 1	A10-12
BRAKE 2	B1
BRAKE 3	B2
BUMPER	B7
CARRIER	C1
CONTROLLER 1	C5
CONTROLLER 2	C6
ELECTRIC MOTOR	C4
ELECTRICAL 1	C7-8
FRAME	A6
FRONT SUSPENSION WHEEL	A7-8
OPTIONAL GAUGES	C9
OPTIONAL HUB CAPS	C10
OPTIONAL LIGHT KIT	D3
OPTIONAL LIGHT KIT	
STREAMLINE JU2	D4-5
OPTIONAL SUN ROOF JN3	D1
OPTIONAL SUN ROOF JN6	D2
OPTIONAL WINDSHIELD JN3	C11
OPTIONAL WINDSHIELD JN6	C12
REAR ARM SUSPENSION	A5
REAR AXLE MOUNT WHEEL	B6
SEAT	C2-3
STEERING	A9
TRANSAXLE 1	B4-5
~MODELS IN THIS CATALOG	D6



 JN8100-6020

A6

# FRONT SUSPENSION WHEEL



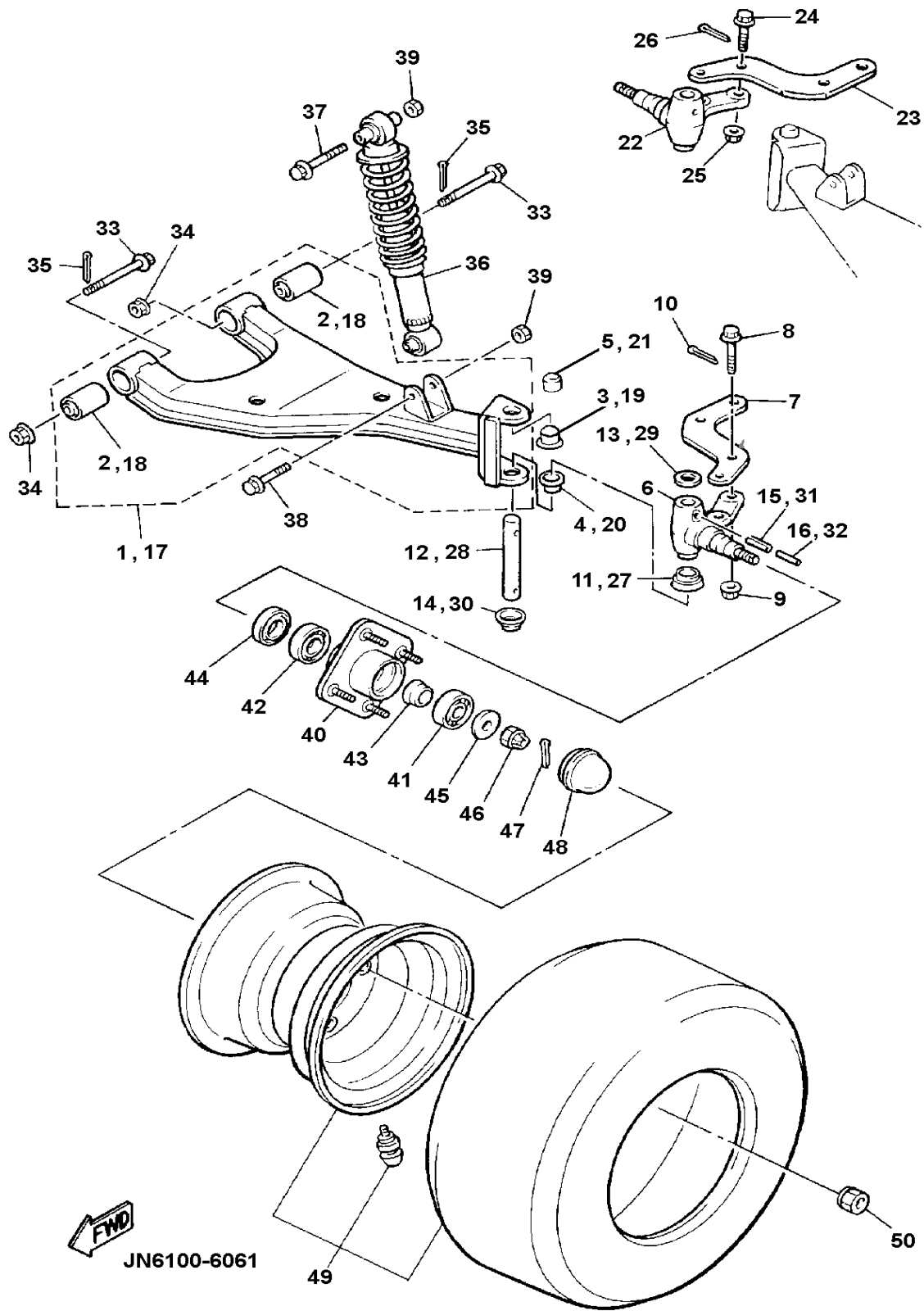
Ref. No.	Part Number	Description	Qty	Remarks
1	JN6-F3570-00-00	FRONT LOWER ARM, LEFT	1	
2	JN6-F3526-00-00	. BUSHING, ARM	2	
3	90384-15826-00	BUSH, BIMETAL	1	JR1-204601~
4	90384-15825-00	BUSH, BIMETAL	1	JR1-204601~
5	90334-19800-00	PLUG, STRAIGHT	1	JR1-204601~
6	JN6-F3511-00-00	KNUCKLE, STEERING	1	
7	JN3-F3512-00-00	ARM, KNUCKLE	1	
8	95814-10040-00	BOLT, FLANGE	2	
9	95617-10200-00	NUT, SELF-LOCKING	2	
10	91490-25020-00	PIN, COTTER	2	
11	J38-23527-00-00	SEAL, DUST	1	
12	J38-23516-00-00	PIN, STEERING KNUCKLE	1	
13	90201-156J2-00	WASHER, PLAIN	1	
14	J38-23528-00-00	SEAL, DUST	1	
15	91609-60028-00	PIN, SPRING	1	
16	91609-35028-00	PIN, SPRING	1	
17	JN6-F3580-00-00	FRONT LOWER ARM, RIGHT	1	
18	JN6-F3526-00-00	. BUSHING, ARM	2	
19	90384-15126-00	BUSH, BIMETAL	1	
20	90384-15825-00	BUSH, BIMETAL	1	
21	90334-19800-00	PLUG, STRAIGHT	1	
22	JN6-F3521-00-00	KNUCKLE, STEERING	1	
23	JN3-F3512-00-00	ARM, KNUCKLE	1	
24	95814-10040-00	BOLT, FLANGE	2	
25	95607-10200-00	NUT, (RH THREAD)	2	
26	91401-25020-00	PIN, COTTER	2	
27	J38-23527-00-00	SEAL, DUST	1	
28	J38-23516-00-00	PIN, STEERING KNUCKLE	1	
29	90201-156J2-00	WASHER, PLAIN	1	
30	J38-23528-00-00	SEAL, DUST	1	

## CONTENTS

ACCELERATOR	B3
BODY 1	B8-9
BODY 2	B10-11
BODY FITTING	B12
BRAKE 1	A10-12
BRAKE 2	B1
BRAKE 3	B2
BUMPER	B7
CARRIER	C1
CONTROLLER 1	C5
CONTROLLER 2	C6
ELECTRIC MOTOR	C4
ELECTRICAL 1	C7-8
FRAME	A6
FRONT SUSPENSION WHEEL	A7-8
OPTIONAL GAUGES	C9
OPTIONAL HUB CAPS	C10
OPTIONAL LIGHT KIT	D3
OPTIONAL LIGHT KIT	
STREAMLINE JU2	D4-5
OPTIONAL SUN ROOF JN3	D1
OPTIONAL SUN ROOF JN6	D2
OPTIONAL WINDSHIELD JN3	C11
OPTIONAL WINDSHIELD JN6	C12
REAR ARM SUSPENSION	A5
REAR AXLE MOUNT WHEEL	B6
SEAT	C2-3
STEERING	A9
TRANSAXLE 1	B4-5
-MODELS IN THIS CATALOG	D6

CONTINUED ON NEXT FRAME ►

# FRONT SUSPENSION WHEEL



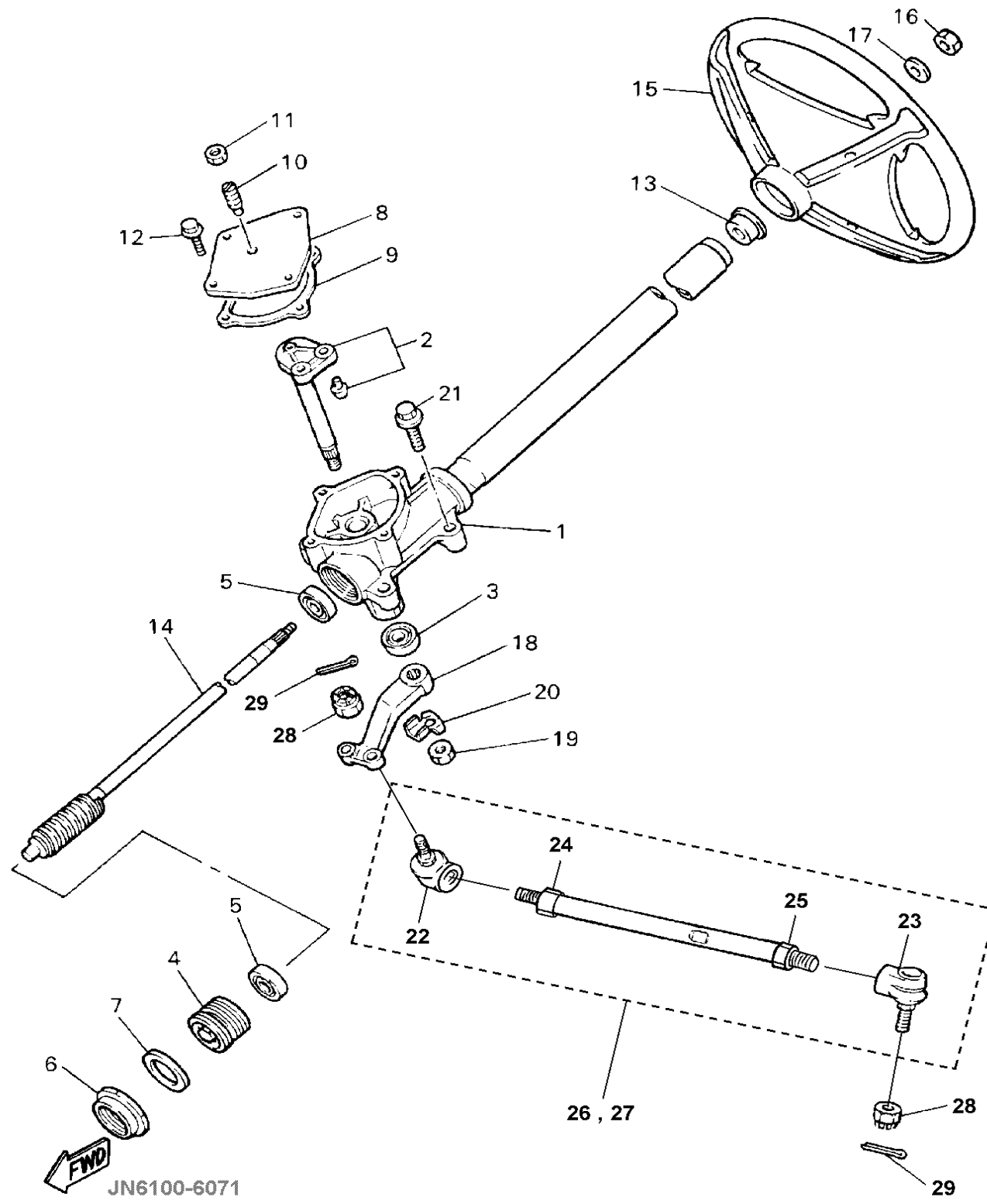
Ref. No.	Part Number	Description	Qty	Remarks
31	91609-60028-00	PIN, SPRING	1	
32	91609-35028-00	PIN, SPRING	1	
33	95817-10075-00	BOLT, FLANGE	4	
34	95607-10200-00	NUT, (RH THREAD)	4	
35	91490-25020-00	PIN, COTTER	4	
36	JN4-F3350-00-00	CUSHION ASSEMBLY (JN4-F3350-10-00)	2	
37	95817-10065-00	BOLT, FLANGE	2	
38	95817-10055-00	BOLT, FLANGE	2	
39	95607-10200-00	NUT, (RH THREAD)	4	
40	JG5-WF511-00-00	HUB	2	
41	93306-204X0-00	BEARING	2	
42	93306-005Y3-00	BEARING	2	
43	90387-241M7-00	COLLAR	2	
44	93102-30083-00	OIL SEAL	2	
45	90209-32271-00	WASHER	2	
46	95607-14100-00	NUT, U	2	
47	91490-25020-00	PIN, COTTER	2	
48	JN6-F5118-00-00	COVER, HUB DUST	2	
49	JN6-F5100-11-00	FRONT WHEEL ASSEMBLY (JG5-F5100-00-00)	2	
50	90179-12262-00	NUT	8	

## CONTENTS

ACCELERATOR	B3
BODY 1	B8-9
BODY 2	B10-11
BODY FITTING	B12
BRAKE 1	A10-12
BRAKE 2	B1
BRAKE 3	B2
BUMPER	B7
CARRIER	C1
CONTROLLER 1	C5
CONTROLLER 2	C6
ELECTRIC MOTOR	C4
ELECTRICAL 1	C7-8
FRAME	A6
FRONT SUSPENSION WHEEL	A7-8
OPTIONAL GAUGES	C9
OPTIONAL HUB CAPS	C10
OPTIONAL LIGHT KIT	D3
OPTIONAL LIGHT KIT STREAMLINE JU2	D4-5
OPTIONAL SUN ROOF JN3	D1
OPTIONAL SUN ROOF JN6	D2
OPTIONAL WINDSHIELD JN3	C11
OPTIONAL WINDSHIELD JN6	C12
REAR ARM SUSPENSION	A5
REAR AXLE MOUNT WHEEL	B6
SEAT	C2-3
STEERING	A9
TRANSAXLE 1	B4-5
-MODELS IN THIS CATALOG	D6



# STEERING

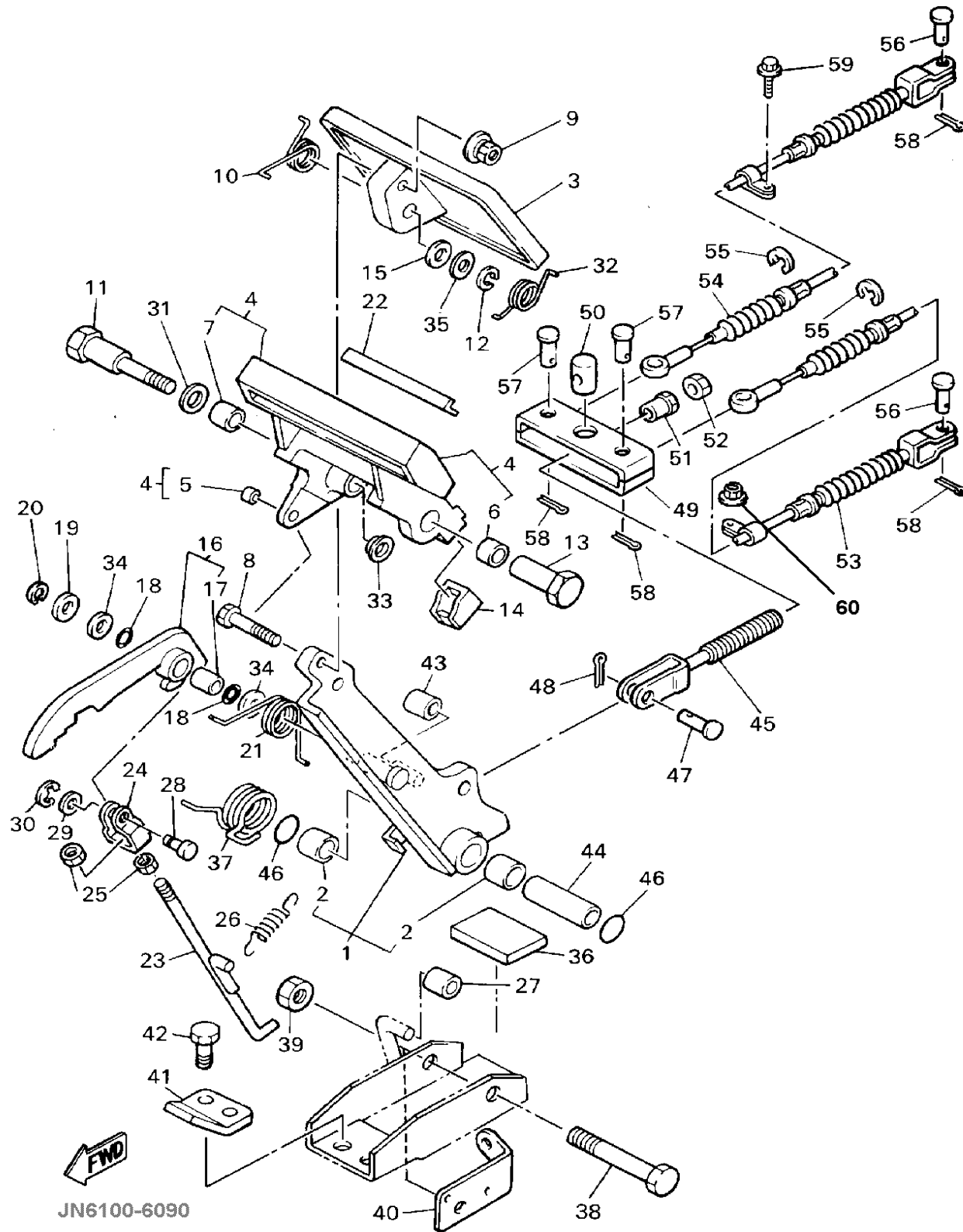


Ref. No.	Part Number	Description	Qty	Remarks
1	JG5-F3811-00-00	COLUMN, STEERING	1	
2	J38-23816-00-00	ARM, PITMAN	1	
3	93102-22314-00	SEAL, OIL	1	
4	J55-F3876-00-00	BOLT	1	
5	93332-000Y2-00	BEARING	2	
6	J10-23877-00-00	NUT	1	
7	J10-23444-00-00	WASHER	1	
8	JN3-F3818-00-00	COVER, STEERING	1	
9	J38-23462-01-00	SEAL, STEERING	1	
10	J10-23459-00-00	BOLT	1	
11	90170-08024-00	NUT, HEX	1	
12	95817-06020-00	BOLT, FLANGE	4	
13	JN3-F3814-00-00	HOLDER, HANDLE	1	
14	J10-23840-00-00	STEERING SHAFT	1	
15	JN3-F3838-00-00	WHEEL, STEERING	1	
16	95617-12200-00	NUT, SELF-LOCKING	1	
17	92907-12200-00	WASHER, PLAIN	1	
18	J38-23826-01-00	ARM, IDLER	1	
19	95707-16300-00	NUT, NYLON	1	
20	90215-16252-00	WASHER, TONGUE	1	
21	95817-10050-00	BOLT, FLANGE	4	
22	JN6-F3841-00-00	UNIVERSAL, JOINT (RH THREAD)	2	
23	JN6-F3845-00-00	UNIVERSAL, JOINT (LH THREAD)	2	
24	9530N-10600-00	NUT, (RH THREAD)	2	
25	90170-10414-00	NUT, (LH THREAD)	2	
26	JN6-F3850-11-00	TIE ROD ASSEMBLY, RIGHT	1	
27	JN6-F3830-11-00	TIE ROD ASSEMBLY, LEFT	1	
28	95617-10200-00	NUT, SELF-LOCKING	4	
29	91401-25020-00	PIN, COTTER	4	

## CONTENTS

ACCELERATOR	B3
BODY 1	B8-9
BODY 2	B10-11
BODY FITTING	B12
BRAKE 1	A10-12
BRAKE 2	B1
BRAKE 3	B2
BUMPER	B7
CARRIER	C1
CONTROLLER 1	C5
CONTROLLER 2	C6
ELECTRIC MOTOR	C4
ELECTRICAL 1	C7-8
FRAME	A6
FRONT SUSPENSION WHEEL	A7-8
OPTIONAL GAUGES	C9
OPTIONAL HUB CAPS	C10
OPTIONAL LIGHT KIT	D3
OPTIONAL LIGHT KIT STREAMLINE JU2	D4-5
OPTIONAL SUN ROOF JN3	D1
OPTIONAL SUN ROOF JN6	D2
OPTIONAL WINDSHIELD JN3	C11
OPTIONAL WINDSHIELD JN6	C12
REAR ARM SUSPENSION	A5
REAR AXLE MOUNT WHEEL	B6
SEAT	C2-3
STEERING	A9
TRANSAXLE 1	B4-5
-MODELS IN THIS CATALOG	D6

# BRAKE 1



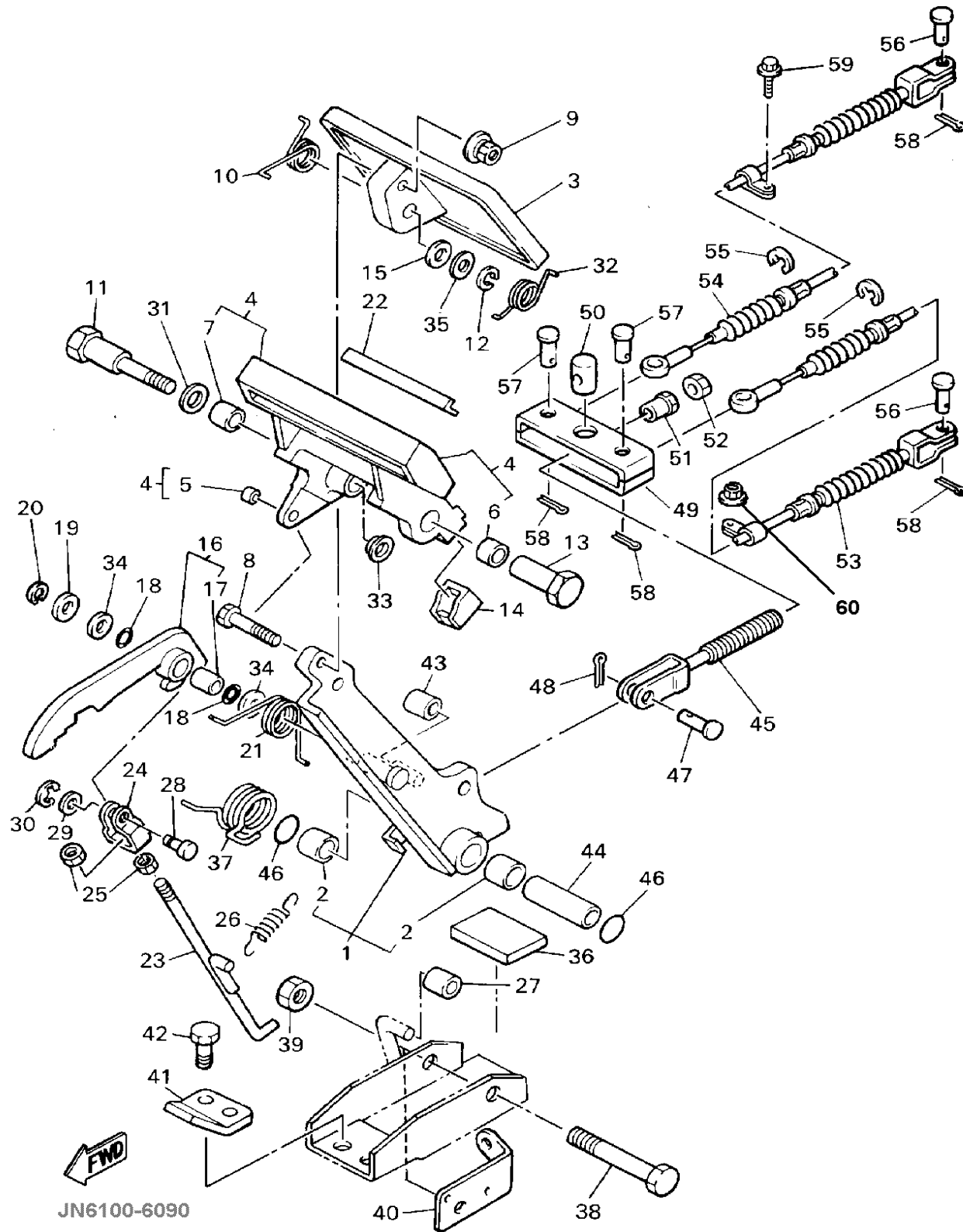
Ref. No.	Part Number	Description	Qty	Remarks
1	J46-27250-03-00	BRAKE ARM COMP. ....	1	
2	90384-14080-00	. BUSH, BIMETAL ....	2	
3	J10-27211-00-00	PEDAL, BRAKE ....	1	
4	J17-25670-01-00	PARKING BRAKE COMP. ....	1	
5	90384-05163-00	. BUSH, BIMETAL ....	1	
6	90384-12164-00	. BUSH, BIMETAL ....	1	
7	90380-12051-00	. BUSH, SOLID ....	1	
8	90101-06555-00	BOLT, HEX ....	1	
9	90179-06387-00	NUT ....	1	
10	90508-23542-00	SPRING, TORSION ....	1	
11	90109-08669-00	BOLT ....	1	
12	92907-08100-00	WASHER, SPRING ....	1	
13	90179-08378-00	NUT ....	1	
14	J17-25679-01-00	DAMPER ....	2	
15	92907-08200-00	WASHER, PLAIN ....	1	
16	J17-W2561-02-00	SECTOR, PARKING BRAKE ..	1	
17	90384-10162-00	. BUSH, BIMETAL ....	1	
18	J17-27221-00-00	SEAL, SHAFT ....	2	
19	92907-10600-00	WASHER, PLATE ....	1	
20	99080-07600-00	CIRCLIP (E) ....	1	
21	90508-14548-00	SPRING, TORSION ....	1	
22	J17-25672-01-00	PAD, PARKING ....	1	
23	J17-27231-03-00	ROD, BRAKE ....	1	
24	J17-27232-00-00	END, ROD ....	1	
25	95317-06700-00	NUT, HEX ....	2	
26	90506-08526-00	SPRING, TENSION ....	1	
27	J17-25673-00-00	DAMPER, BRAKE ....	1	
28	J17-27228-00-00	PIN, LINK JOINT ....	1	
29	92907-05600-00	WASHER, PLATE ....	1	
30	99080-04600-00	CIRCLIP(E) ....	1	

## CONTENTS

ACCELERATOR	B3
BODY 1	B8-9
BODY 2	B10-11
BODY FITTING	B12
BRAKE 1	A10-12
BRAKE 2	B1
BRAKE 3	B2
BUMPER	B7
CARRIER	C1
CONTROLLER 1	C5
CONTROLLER 2	C6
ELECTRIC MOTOR	C4
ELECTRICAL 1	C7-8
FRAME	A6
FRONT SUSPENSION WHEEL	A7-8
OPTIONAL GAUGES	C9
OPTIONAL HUB CAPS	C10
OPTIONAL LIGHT KIT	D3
OPTIONAL LIGHT KIT	
STREAMLINE JU2	D4-5
OPTIONAL SUN ROOF JN3	D1
OPTIONAL SUN ROOF JN6	D2
OPTIONAL WINDSHIELD JN3	C11
OPTIONAL WINDSHIELD JN6	C12
REAR ARM SUSPENSION	A5
REAR AXLE MOUNT WHEEL	B6
SEAT	C2-3
STEERING	A9
TRANSAXLE 1	B4-5
-MODELS IN THIS CATALOG	D6

CONTINUED ON NEXT FRAME ►

# BRAKE 1



Ref. No.	Part Number	Description	Qty	Remarks
31	90201-123F2-00	WASHER, PLAIN	1	
32	90508-26557-00	SPRING, TORSION	1	
33	90380-12105-00	BUSH, SOLID	1	
34	90201-104G8-00	WASHER, PLAIN	2	
35	J55-27226-00-00	WASHER, LINK	1	
36	JN3-F7245-00-00	PAD, BRAKE PEDAL	1	
37	90508-405A9-00	SPRING, TORSION	1	
38	90101-10447-00	BOLT, HEX	1	
39	95617-10200-00	NUT, SELF-LOCKING	1	
40	J55-2252M-00-00	BRACKET	1	
41	J17-27246-00-00	NAIL, BRAKE	1	
42	95807-08020-00	BOLT, FLANGE	2	
43	J17-25673-00-00	DAMPER, BRAKE	1	
44	90387-107F8-00	COLLAR	1	
45	JN6-F5685-00-00	ROD	1	
46	93210-132A8-00	O-RING	2	
47	91701-10022-00	PIN	1	
48	91490-30020-00	PIN, COTTER	1	
49	JN6-F5681-00-00	EQUALIZER, BRAKE	1	
50	90249-14129-00	PIN	1	
51	90179-08261-00	NUT	1	
52	95317-08700-00	NUT, HEX	1	
53	JF2-F6341-10-00	WIRE, BRAKE 1	1	~JN8-400100
	JN6-F6341-00-00	WIRE, BRAKE 1	1	JN8-400101~
54	JF2-F6351-10-00	WIRE, BRAKE	1	
55	99001-09600-00	CIRCLIP	4	
56	91701-08018-00	PIN	1	
57	91701-08026-00	PIN	1	
58	91490-25020-00	PIN, COTTER	4	
59	95817-06016-00	BOLT, FLANGE	1	

## CONTENTS

ACCELERATOR	B3
BODY 1	B8-9
BODY 2	B10-11
BODY FITTING	B12
BRAKE 1	A10-12
BRAKE 2	B1
BRAKE 3	B2
BUMPER	B7
CARRIER	C1
CONTROLLER 1	C5
CONTROLLER 2	C6
ELECTRIC MOTOR	C4
ELECTRICAL 1	C7-8
FRAME	A6
FRONT SUSPENSION WHEEL	A7-8
OPTIONAL GAUGES	C9
OPTIONAL HUB CAPS	C10
OPTIONAL LIGHT KIT	D3
OPTIONAL LIGHT KIT	
STREAMLINE JU2	D4-5
OPTIONAL SUN ROOF JN3	D1
OPTIONAL SUN ROOF JN6	D2
OPTIONAL WINDSHIELD JN3	C11
OPTIONAL WINDSHIELD JN6	C12
REAR ARM SUSPENSION	A5
REAR AXLE MOUNT WHEEL	B6
SEAT	C2-3
STEERING	A9
TRANSAXLE 1	B4-5
~MODELS IN THIS CATALOG	D6

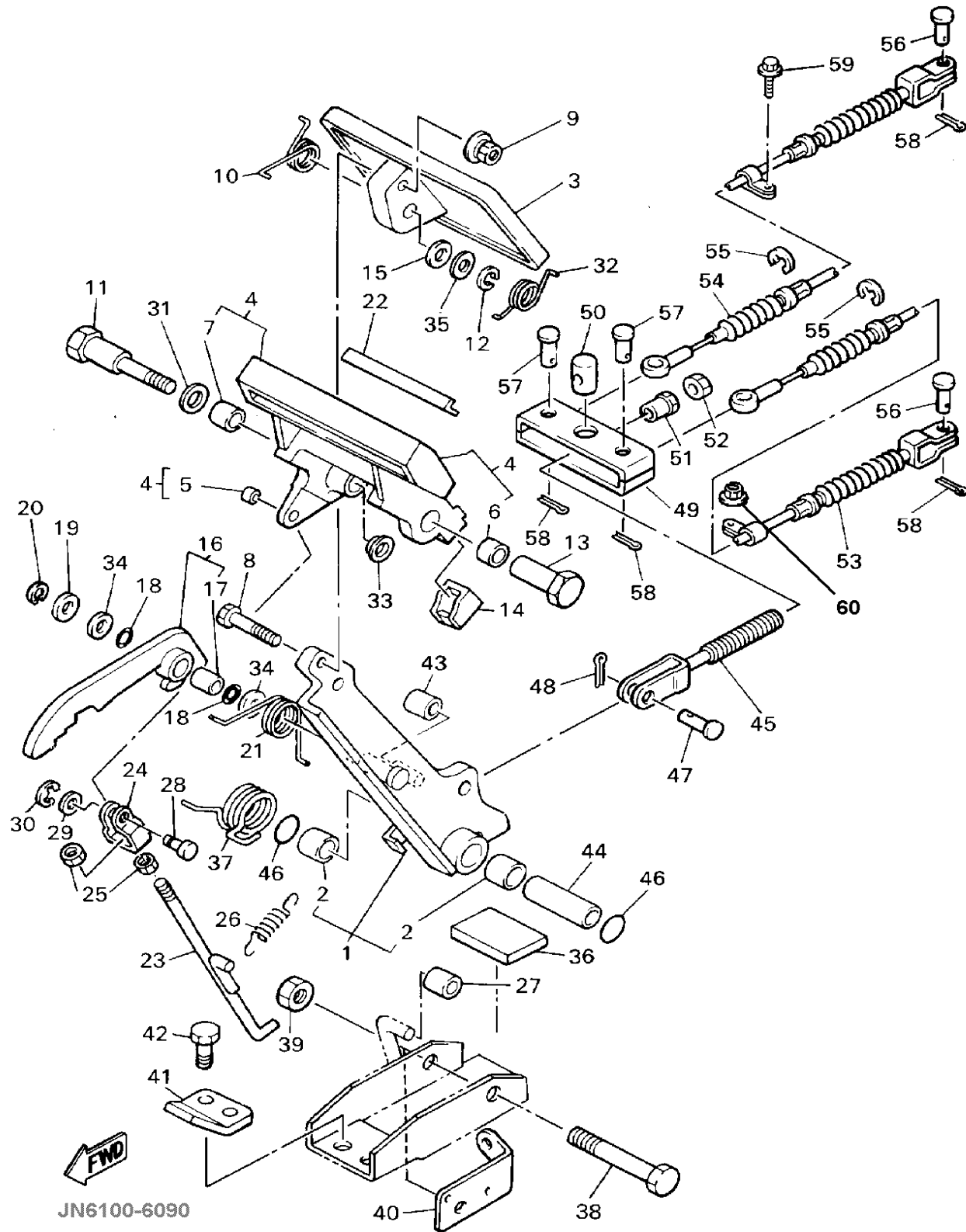
CONTINUED ON NEXT FRAME ►

# BRAKE 1

Ref. No.	Part Number	Description	Qty	Remarks
60	95617-08200-00	NUT, U-FLANGE (95607-08200-00)	1	

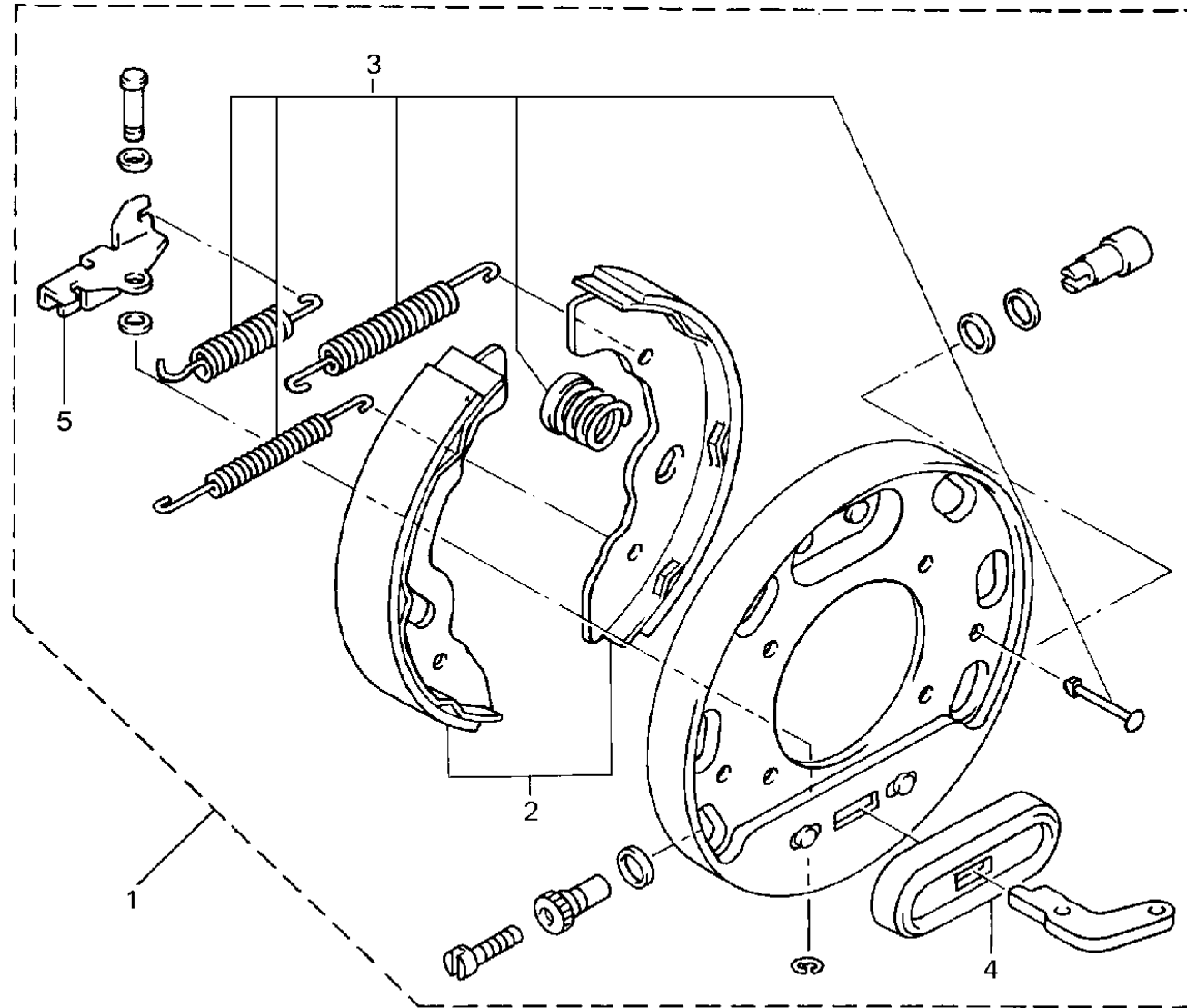
## CONTENTS

ACCELERATOR	B3
BODY 1	B8-9
BODY 2	B10-11
BODY FITTING	B12
BRAKE 1	A10-12
BRAKE 2	B1
BRAKE 3	B2
BUMPER	B7
CARRIER	C1
CONTROLLER 1	C5
CONTROLLER 2	C6
ELECTRIC MOTOR	C4
ELECTRICAL 1	C7-8
FRAME	A6
FRONT SUSPENSION WHEEL	A7-8
OPTIONAL GAUGES	C9
OPTIONAL HUB CAPS	C10
OPTIONAL LIGHT KIT	D3
OPTIONAL LIGHT KIT	
STREAMLINE JU2	D4-5
OPTIONAL SUN ROOF JN3	D1
OPTIONAL SUN ROOF JN6	D2
OPTIONAL WINDSHIELD JN3	C11
OPTIONAL WINDSHIELD JN6	C12
REAR ARM SUSPENSION	A5
REAR AXLE MOUNT WHEEL	B6
SEAT	C2-3
STEERING	A9
TRANSAXLE 1	B4-5
-MODELS IN THIS CATALOG	D6



# BRAKE 2

Ref. No.	Part Number	Description	Qty	Remarks
1	JN6-F7280-00-00	BACKING PLATE, (RH) . . . . .	1	FOR RIGHT WHEEL ONLY
2	JN3-F5340-00-00	. SHOE, BRAKE SET . . . . .	1	FOR ONE WHEEL ONLY
3	JG5-F819G-00-00	. REPAIR PARTS KIT . . . . .	1	
4	JG5-F7286-00-00	. COVER, DUST . . . . .	1	
5	JN6-F722F-00-00	. LEVER ADJUSTER (RH) . . . . .	1	



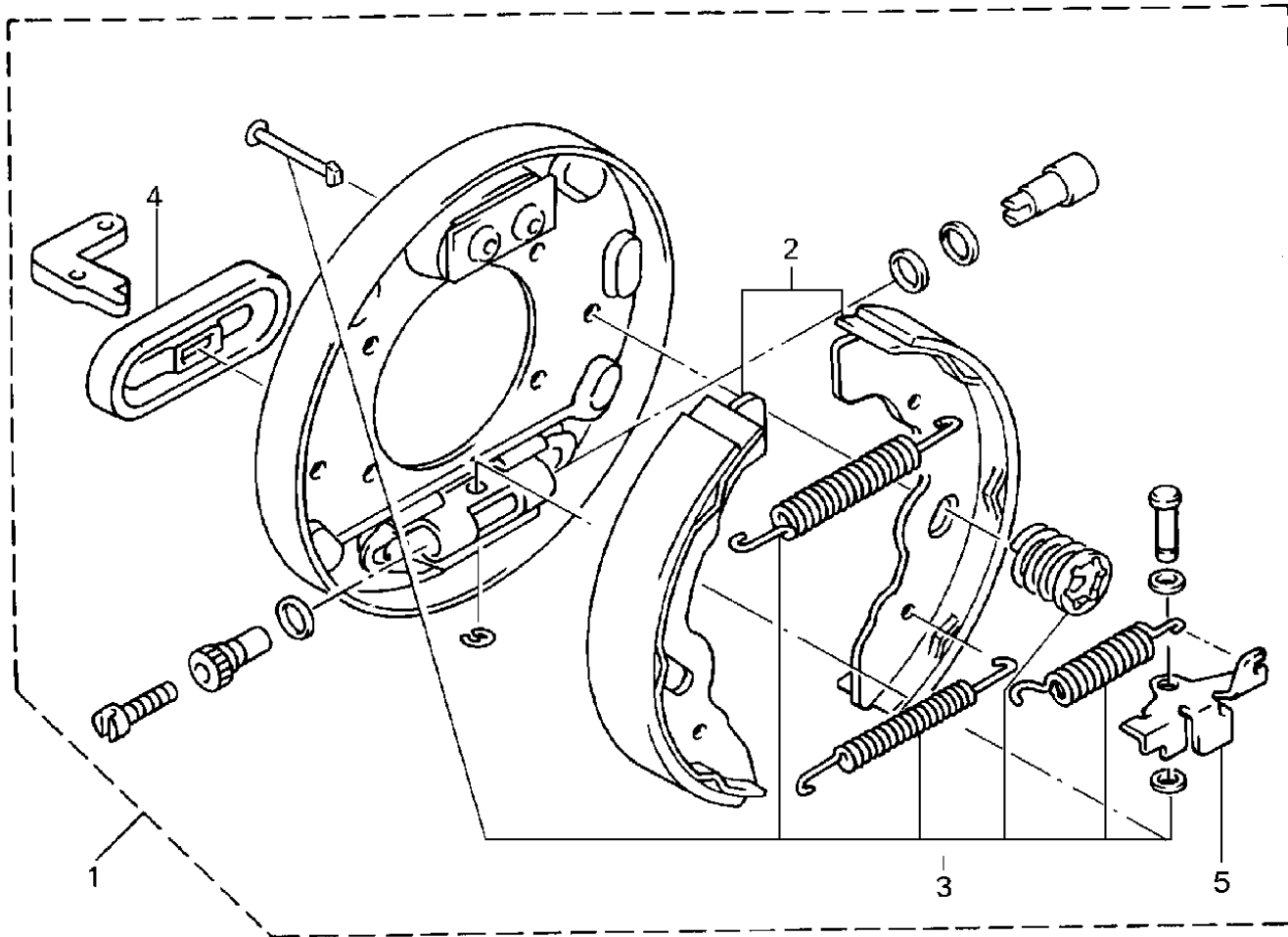
## CONTENTS

ACCELERATOR	B3
BODY 1	B8-9
BODY 2	B10-11
BODY FITTING	B12
BRAKE 1	A10-12
BRAKE 2	B1
BRAKE 3	B2
BUMPER	B7
CARRIER	C1
CONTROLLER 1	C5
CONTROLLER 2	C6
ELECTRIC MOTOR	C4
ELECTRICAL 1	C7-8
FRAME	A6
FRONT SUSPENSION WHEEL	A7-8
OPTIONAL GAUGES	C9
OPTIONAL HUB CAPS	C10
OPTIONAL LIGHT KIT	D3
OPTIONAL LIGHT KIT	
STREAMLINE JU2	D4-5
OPTIONAL SUN ROOF JN3	D1
OPTIONAL SUN ROOF JN6	D2
OPTIONAL WINDSHIELD JN3	C11
OPTIONAL WINDSHIELD JN6	C12
REAR ARM SUSPENSION	A5
REAR AXLE MOUNT WHEEL	B6
SEAT	C2-3
STEERING	A9
TRANSAXLE 1	B4-5
-MODELS IN THIS CATALOG	D6



JN4100-5061

# BRAKE 3



Ref. No.	Part Number	Description	Qty	Remarks
1	JN6-F7290-00-00	BACKING PLATE, LEFT . . . . .	1	FOR LEFT WHEEL ONLY
2	JN3-F5330-00-00	. SHOE, BRAKE SET . . . . .	1	FOR ONE WHEEL
3	JG5-F819G-00-00	. REPAIR PARTS KIT . . . . .	1	
4	JG5-F7286-00-00	. COVER, DUST . . . . .	1	
5	JN6-F722E-00-00	. LEVER ADJUSTER (LH) . . . . .	1	

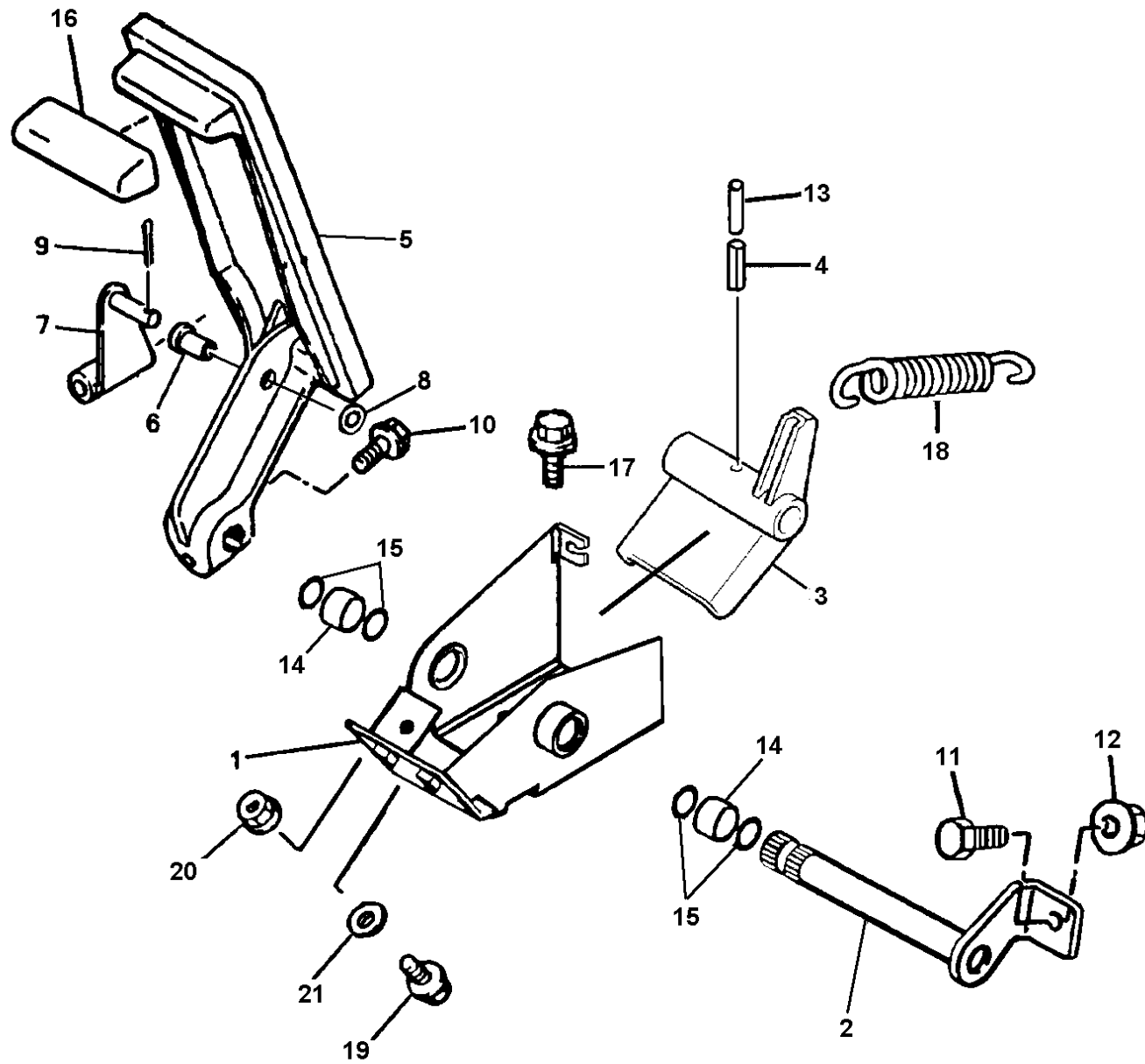
## CONTENTS

ACCELERATOR	B3
BODY 1	B8-9
BODY 2	B10-11
BODY FITTING	B12
BRAKE 1	A10-12
BRAKE 2	B1
BRAKE 3	B2
BUMPER	B7
CARRIER	C1
CONTROLLER 1	C5
CONTROLLER 2	C6
ELECTRIC MOTOR	C4
ELECTRICAL 1	C7-8
FRAME	A6
FRONT SUSPENSION WHEEL	A7-8
OPTIONAL GAUGES	C9
OPTIONAL HUB CAPS	C10
OPTIONAL LIGHT KIT	D3
OPTIONAL LIGHT KIT	
STREAMLINE JU2	D4-5
OPTIONAL SUN ROOF JN3	D1
OPTIONAL SUN ROOF JN6	D2
OPTIONAL WINDSHIELD JN3	C11
OPTIONAL WINDSHIELD JN6	C12
REAR ARM SUSPENSION	A5
REAR AXLE MOUNT WHEEL	B6
SEAT	C2-3
STEERING	A9
TRANSAXLE 1	B4-5
-MODELS IN THIS CATALOG	D6



JN4100-5071

# ACCELERATOR



Ref. No.	Part Number	Description	Qty	Remarks
1	JN6-F7874-01-00	BRACKET, PEDAL .....	1	
2	J17-27853-01-00	SHAFT, PEDAL .....	1	
3	J22-27872-00-00	ARM, ACCELERATOR .....	1	
4	91609-60028-00	PIN, SPRING .....	1	
5	JF3-27871-01-00	PEDAL, ACCELERATOR .....	1	
6	90381-06033-00	BUSH, SOLID .....	1	
7	J14-27815-00-00	LEVER, CRANK .....	1	
8	92907-06600-00	WASHER, PLAIN .....	1	
9	91490-20015-00	PIN, COTTER .....	1	
10	95817-06025-00	BOLT, FLANGE .....	1	
11	90106-08040-00	BOLT, RD. HEX .....	1	
12	95707-08500-00	NUT, FLANGE .....	1	
13	91609-35028-00	PIN, SPRING .....	1	
14	90384-14080-00	BUSH, BIMETAL .....	2	
15	93210-14104-00	O-RING .....	4	
16	JN3-F7854-00-00	COVER, PEDAL .....	1	
17	95817-08016-00	BOLT, FLANGE .....	3	
18	90506-26282-00	SPRING, TENSION .....	1	
19	95817-06025-00	BOLT, FLANGE .....	1	
20	95707-06500-00	NUT, FLANGE .....	1	
21	90387-068T4-00	COLLAR .....	1	

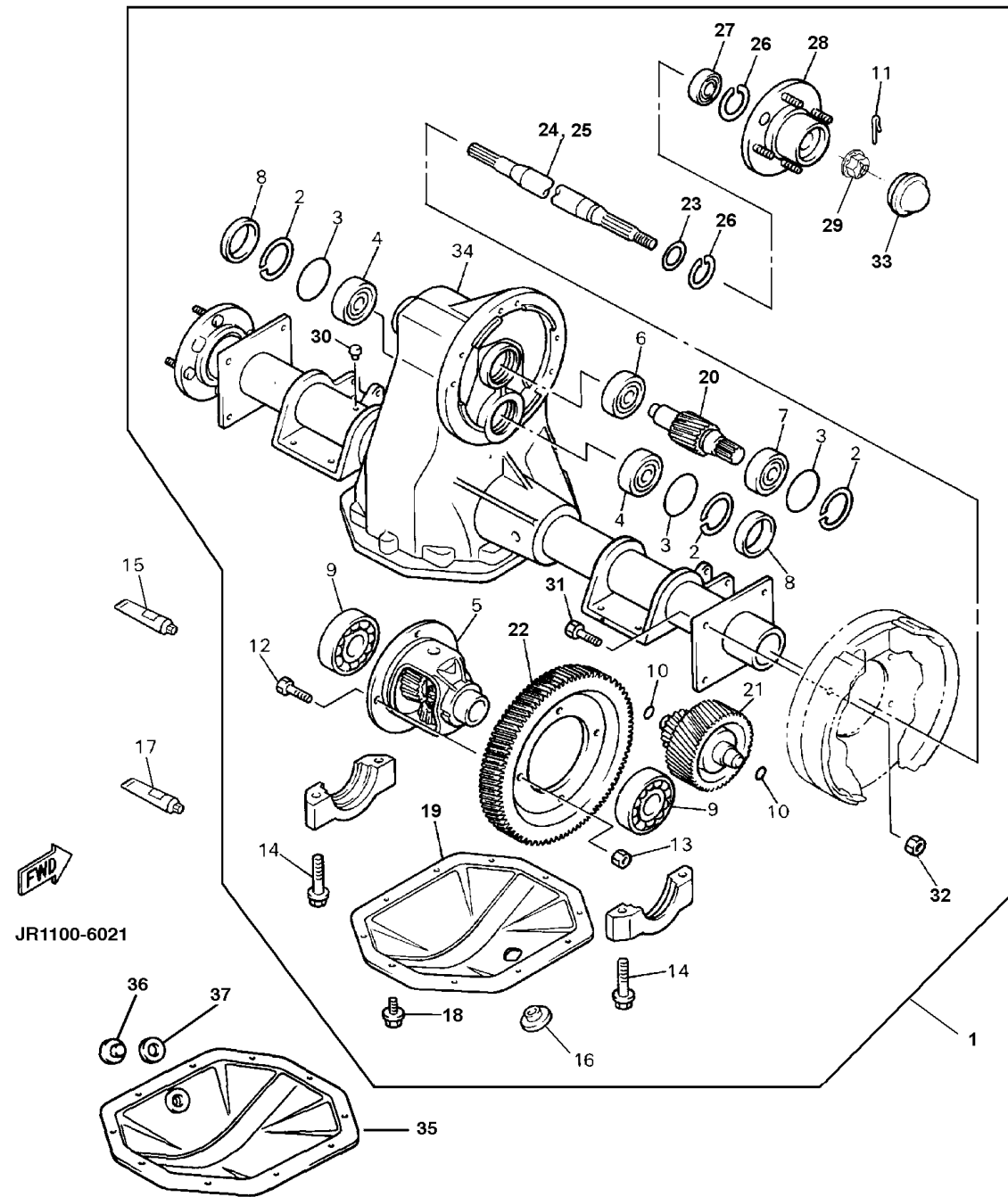
## CONTENTS

ACCELERATOR	B3
BODY 1	B8-9
BODY 2	B10-11
BODY FITTING	B12
BRAKE 1	A10-12
BRAKE 2	B1
BRAKE 3	B2
BUMPER	B7
CARRIER	C1
CONTROLLER 1	C5
CONTROLLER 2	C6
ELECTRIC MOTOR	C4
ELECTRICAL 1	C7-8
FRAME	A6
FRONT SUSPENSION WHEEL	A7-8
OPTIONAL GAUGES	C9
OPTIONAL HUB CAPS	C10
OPTIONAL LIGHT KIT	D3
OPTIONAL LIGHT KIT	
STREAMLINE JU2	D4-5
OPTIONAL SUN ROOF JN3	D1
OPTIONAL SUN ROOF JN6	D2
OPTIONAL WINDSHIELD JN3	C11
OPTIONAL WINDSHIELD JN6	C12
REAR ARM SUSPENSION	A5
REAR AXLE MOUNT WHEEL	B6
SEAT	C2-3
STEERING	A9
TRANSAXLE 1	B4-5
-MODELS IN THIS CATALOG	D6



JN8100-6031

# TRANSAXLE 1



JR1100-6021

NOTE A: If not available, use ref. # 19, Case, Transmission (JR1-G6312-00-00) with ref. #16, Stopper, (JN3-G6432-00-00).

NOTE B: For units up to frame # ~JN8-300140, you must also use the new JR1 Axles. ref. #24 and #25.

Ref. No.	Part Number	Description	Qty	Remarks
1	JR1-G6300-01-00	TRANSAXLE ASSEMBLY	1	
2	93420-50804-00	. CIRCLIP	3	
3	93210-478B8-00	. O-RING	3	
4	93306-303Y6-00	. BEARING	2	
5	JN3-G6410-00-00	. DIFFERENTIAL ASSEMBLY	1	
6	93306-203X1-00	. BEARING	1	
7	93306-005Y1-00	. BEARING	1	
8	JH7-G3396-00-00	. PLUG, BLIND	2	
9	93306-007Y0-00	. BEARING	2	
10	93210-148B9-00	. O-RING	2	
11	91490-25030-00	. PIN, COTTER	2	
12	90101-10854-00	. BOLT, HEX	4	
13	90170-10840-00	. NUT, HEX	4	
14	90105-10840-00	. BOLT, FLANGE	4	
15	ACC-YAMAB-ON-D5	SEALANT	1	FOR MOTOR ATTACHMENT
16	JN3-G6432-00-00	. STOPPER	1	
17	ACC-QUICK-GS-KT	SEALANT	1	FOR DIFFERENTIAL COVER
18	90101-08856-00	. BOLT, HEX	10	
19	JR1-G6312-00-00	. CASE, TRANSMISSION	1	
20	JH7-G6321-00-00	. SHAFT, INPUT	1	
21	JH7-G6350-00-00	. COUNTER GEAR	1	
22	JH7-G6421-00-00	. GEAR, RING	1	
23	93101-24822-00	. OIL SEAL	2	
24	JF3-G6512-01-00	. SHAFT, RR. AXLE, RIGHT	1	UR, ~JN8-300140
	JR1-G6512-00-00	. SHAFT, RR. AXLE, RIGHT	1	UR, JN8-300141~
25	JF3-G6511-01-00	. SHAFT, RR. AXLE, LEFT	1	UR, ~JN8-300140
	JR1-G6511-00-00	. SHAFT, RR. AXLE, LEFT	1	UR, JN8-300141~
26	93420-44805-00	. CIRCLIP	4	
27	93306-004X5-00	. BEARING	2	

## CONTENTS

ACCELERATOR	B3
BODY 1	B8-9
BODY 2	B10-11
BODY FITTING	B12
BRAKE 1	A10-12
BRAKE 2	B1
BRAKE 3	B2
BUMPER	B7
CARRIER	C1
CONTROLLER 1	C5
CONTROLLER 2	C6
ELECTRIC MOTOR	C4
ELECTRICAL 1	C7-8
FRAME	A6
FRONT SUSPENSION WHEEL	A7-8
OPTIONAL GAUGES	C9
OPTIONAL HUB CAPS	C10
OPTIONAL LIGHT KIT	D3
OPTIONAL LIGHT KIT	
STREAMLINE JU2	D4-5
OPTIONAL SUN ROOF JN3	D1
OPTIONAL SUN ROOF JN6	D2
OPTIONAL WINDSHIELD JN3	C11
OPTIONAL WINDSHIELD JN6	C12
REAR ARM SUSPENSION	A5
REAR AXLE MOUNT WHEEL	B6
SEAT	C2-3
STEERING	A9
TRANSAXLE 1	B4-5
~MODELS IN THIS CATALOG	D6

CONTINUED ON NEXT FRAME >

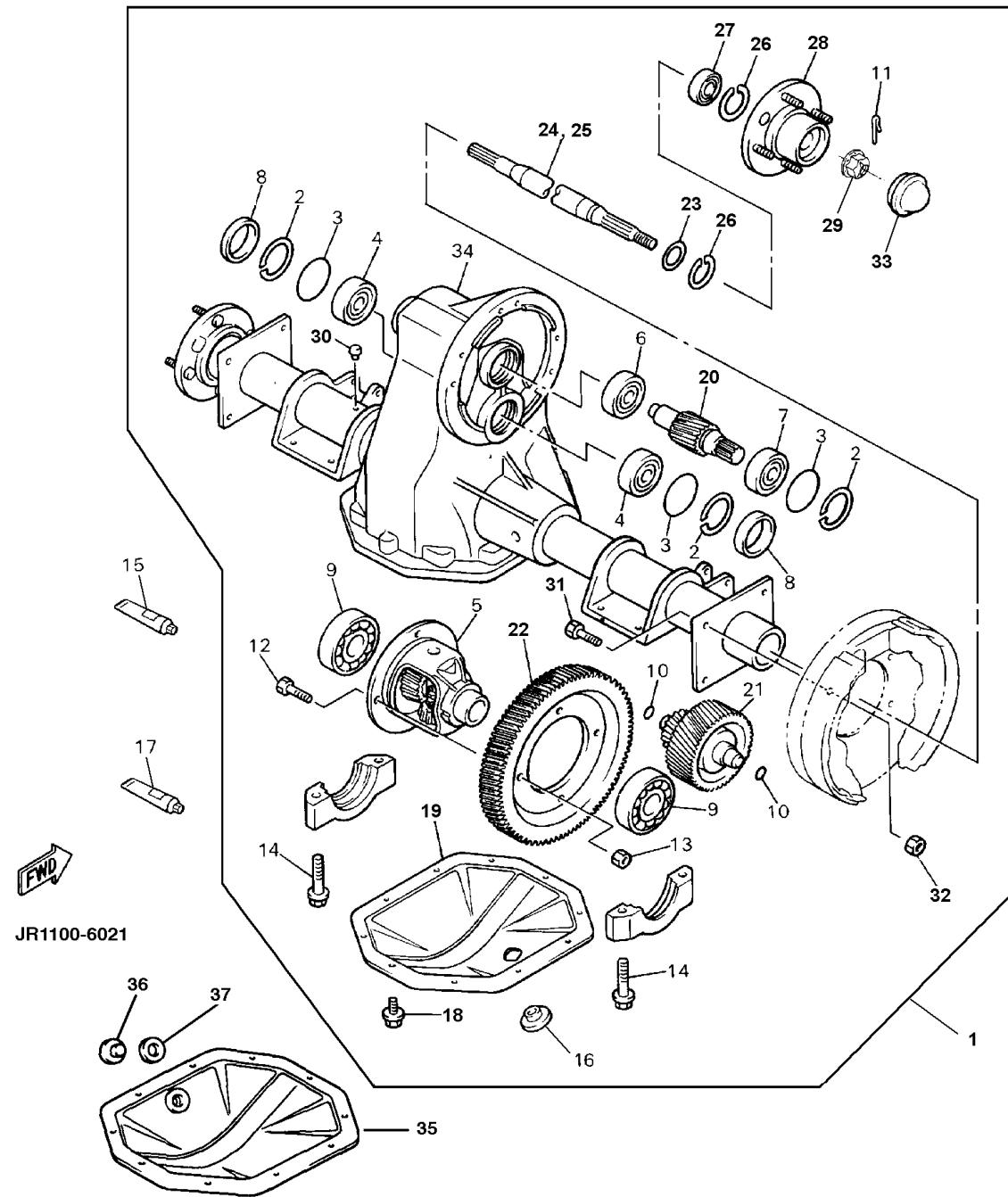


# TRANSAXLE 1

Ref. No.	Part Number	Description	Qty	Remarks
28	JN3-G6514-00-00	. HUB, REAR AXLE .....	2	
29	90185-16833-00	. NUT, SELF-LOCKING .....	2	
30	JH7-G5619-00-00	. CAP .....	1	
31	90101-08855-00	. BOLT, HEX .....	8	
32	90170-08841-00	. NUT, HEX .....	8	
33	JN6-25118-00-00	. COVER, HUB DUST .....	2	
34	JN4-G6310-00-00	. CASE ASSEMBLY. ....	1	
35	JH7-G6312-00-00	CASE, TRANSMISSION 2 .....	1	OLD PART, SEE NOTE A
36	JH7-G5341-00-00	PLUG, FILL/CHECK .....	1	SEE NOTE A
37	90201-158E0-00	WASHER, PLATE .....	1	SEE NOTE A

## CONTENTS

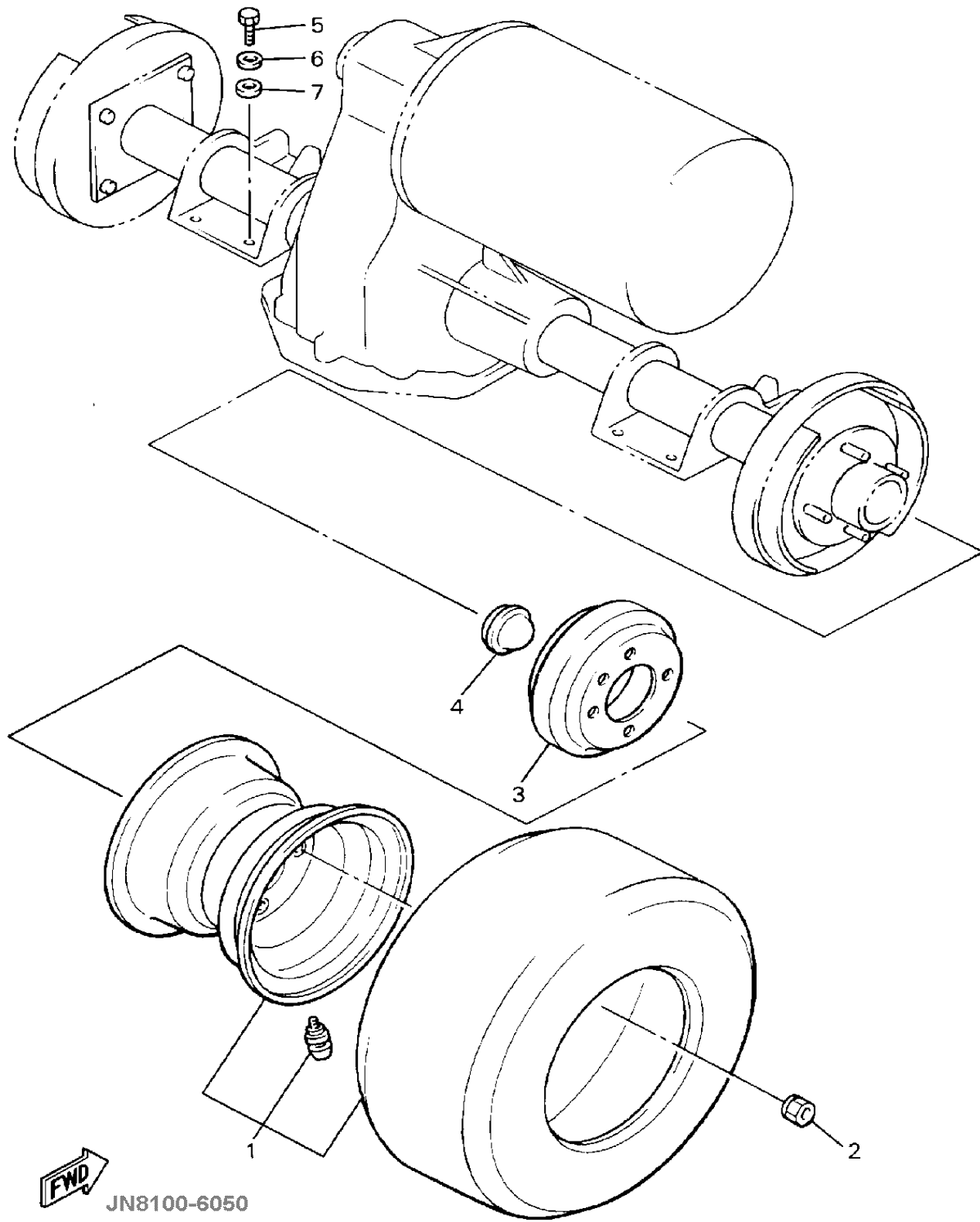
ACCELERATOR	B3
BODY 1	B8-9
BODY 2	B10-11
BODY FITTING	B12
BRAKE 1	A10-12
BRAKE 2	B1
BRAKE 3	B2
BUMPER	B7
CARRIER	C1
CONTROLLER 1	C5
CONTROLLER 2	C6
ELECTRIC MOTOR	C4
ELECTRICAL 1	C7-8
FRAME	A6
FRONT SUSPENSION WHEEL	A7-8
OPTIONAL GAUGES	C9
OPTIONAL HUB CAPS	C10
OPTIONAL LIGHT KIT	D3
OPTIONAL LIGHT KIT	
STREAMLINE JU2	D4-5
OPTIONAL SUN ROOF JN3	D1
OPTIONAL SUN ROOF JN6	D2
OPTIONAL WINDSHIELD JN3	C11
OPTIONAL WINDSHIELD JN6	C12
REAR ARM SUSPENSION	A5
REAR AXLE MOUNT WHEEL	B6
SEAT	C2-3
STEERING	A9
TRANSAXLE 1	B4-5
~MODELS IN THIS CATALOG	D6



NOTE A: If not available, use ref. # 19, Case, Transmission (JR1-G6312-00-00) with ref. #16, Stopper, (JN3-G6432-00-00).

NOTE B: For units up to frame # ~JN8-300140, you must also use the new JR1 Axles. ref. #24 and #25.

# REAR AXLE MOUNT WHEEL



Ref. No.	Part Number	Description	Qty	Remarks
1	JN6-F5100-11-00	FRONT WHEEL ASSEMBLY (JG5-F5100-00-00)	2	
2	90179-12262-00	NUT	8	
3	J55-G6521-00-00	DRUM	2	
4	JN6-25118-00-00	COVER, HUB DUST	2	
5	97017-10020-00	BOLT, HEX HEAD	8	
6	92907-10100-00	WASHER, LOCK	8	
7	92907-102G9-00	WASHER	8	

## CONTENTS

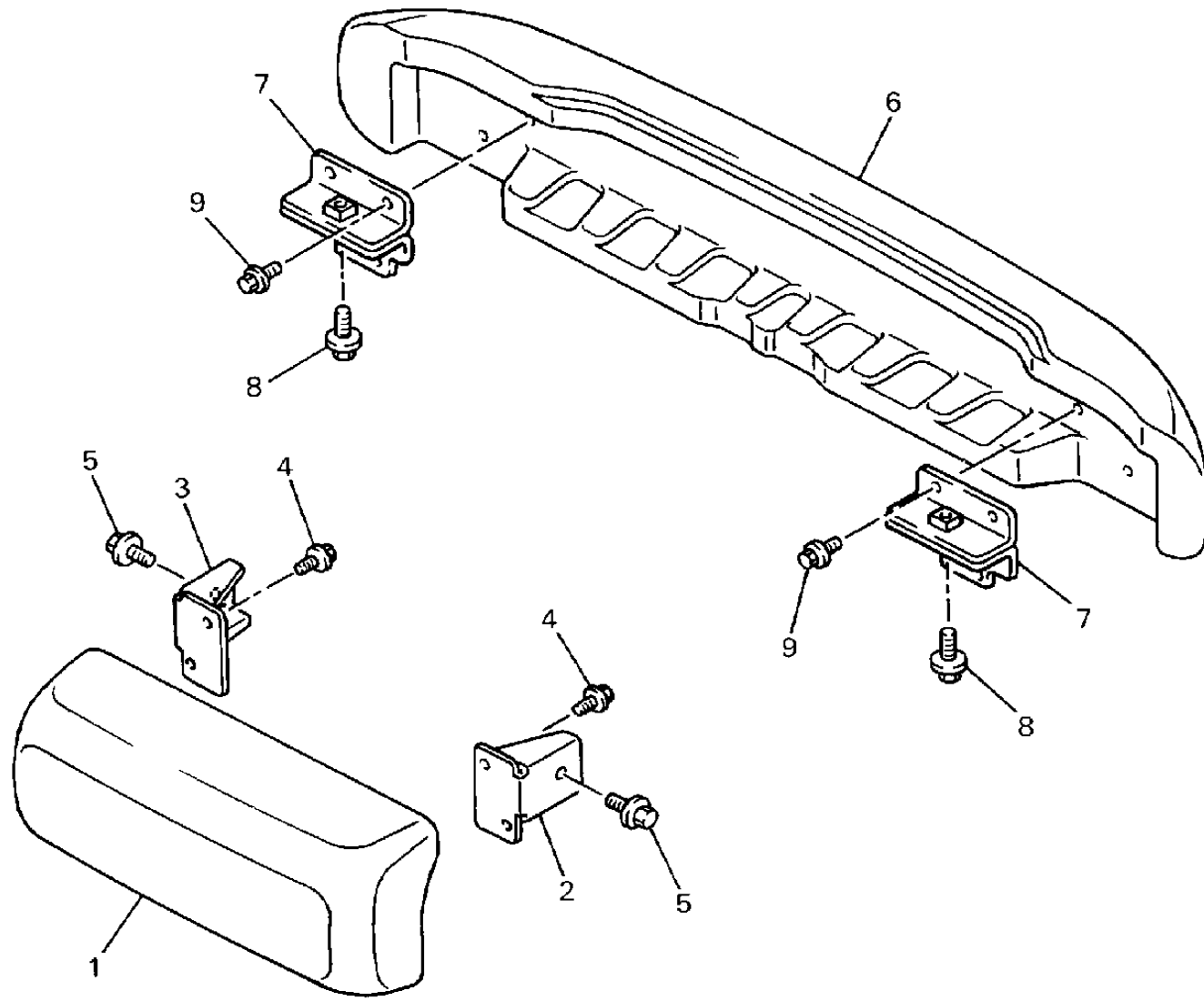
ACCELERATOR	B3
BODY 1	B8-9
BODY 2	B10-11
BODY FITTING	B12
BRAKE 1	A10-12
BRAKE 2	B1
BRAKE 3	B2
BUMPER	B7
CARRIER	C1
CONTROLLER 1	C5
CONTROLLER 2	C6
ELECTRIC MOTOR	C4
ELECTRICAL 1	C7-8
FRAME	A6
FRONT SUSPENSION WHEEL	A7-8
OPTIONAL GAUGES	C9
OPTIONAL HUB CAPS	C10
OPTIONAL LIGHT KIT	D3
OPTIONAL LIGHT KIT	
STREAMLINE JU2	D4-5
OPTIONAL SUN ROOF JN3	D1
OPTIONAL SUN ROOF JN6	D2
OPTIONAL WINDSHIELD JN3	C11
OPTIONAL WINDSHIELD JN6	C12
REAR ARM SUSPENSION	A5
REAR AXLE MOUNT WHEEL	B6
SEAT	C2-3
STEERING	A9
TRANSAXLE 1	B4-5
-MODELS IN THIS CATALOG	D6

# BUMPER

Ref. No.	Part Number	Description	Qty	Remarks
1	JN3-K7510-02-00	FRONT BUMPER COMP. ....	1	
2	JN3-K8164-00-00	STAY, FRONT BUMPER ....	1	
3	JN3-K8165-00-00	STAY, FRONT BUMPER ....	1	
4	95817-06016-00	BOLT, FLANGE .....	4	
5	95817-08016-00	BOLT, FLANGE .....	2	
6	JN3-K7540-00-00	REAR BUMPER .....	1	
7	JN3-K8174-00-00	STAY, REAR BUMPER ....	2	
8	95817-10020-00	BOLT, FLANGE .....	2	
9	95817-06016-00	BOLT, FLANGE .....	4	

## CONTENTS

ACCELERATOR	B3
BODY 1	B8-9
BODY 2	B10-11
BODY FITTING	B12
BRAKE 1	A10-12
BRAKE 2	B1
BRAKE 3	B2
BUMPER	B7
CARRIER	C1
CONTROLLER 1	C5
CONTROLLER 2	C6
ELECTRIC MOTOR	C4
ELECTRICAL 1	C7-8
FRAME	A6
FRONT SUSPENSION WHEEL	A7-8
OPTIONAL GAUGES	C9
OPTIONAL HUB CAPS	C10
OPTIONAL LIGHT KIT	D3
OPTIONAL LIGHT KIT	
STREAMLINE JU2	D4-5
OPTIONAL SUN ROOF JN3	D1
OPTIONAL SUN ROOF JN6	D2
OPTIONAL WINDSHIELD JN3	C11
OPTIONAL WINDSHIELD JN6	C12
REAR ARM SUSPENSION	A5
REAR AXLE MOUNT WHEEL	B6
SEAT	C2-3
STEERING	A9
TRANSAXLE 1	B4-5
-MODELS IN THIS CATALOG	D6



JN6100-6170

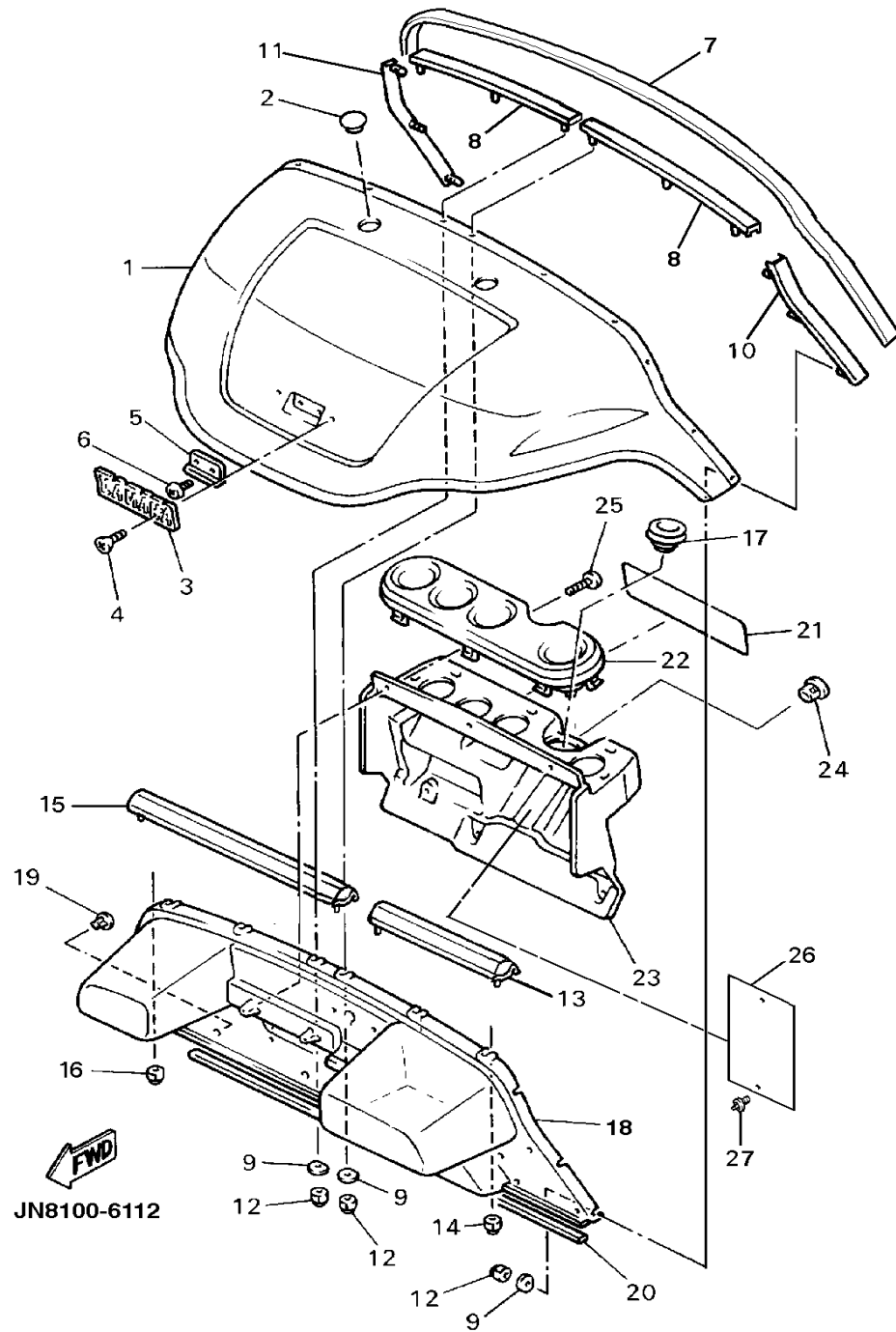
**B7**

# BODY 1

Ref. No.	Part Number	Description	Qty	Remarks
1	JN3-K8115-00-00	COWL, FRONT .....	1	IVORY
	JN3-K8115-10-00	COWL, FRONT .....	1	RED
	JN3-K8115-20-00	COWL, FRONT .....	1	GRAY
	JN3-K8115-30-00	COWL, FRONT .....	1	TEAL
	JN3-K8115-50-00	COWL, FRONT .....	1	HUNTER GREEN
2	JN3-K818E-00-00	CAP, PROTECTOR .....	2	W/O SUNTOP
3	JN6-F4161-01-00	EMBLEM, 1 .....	1	
4	90162-04002-00	SCREW, OVAL C .....	2	
5	JF2-K811G-00-00	BOLT, COWL FITTING .....	1	
6	98980-06016-00	SCREW, BINDING .....	2	
7	JF2-K811V-00-00	PROTECTOR .....	1	
8	JF2-K8261-02-00	PLATE, BODY PROTECTOR ..	2	
9	JN3-K8117-00-00	PLATE .....	12	
10	JF2-K8262-01-00	PLATE, BODY PROTECTOR ..	1	
11	JF2-K8263-01-00	PLATE, BODY PROTECTOR ..	1	
12	90185-06836-00	NUT, SELF-LOCKING .....	12	
13	JN6-K8264-00-00	PLATE, BODY PROTECTOR ..	1	
14	95607-06200-00	NUT, SELF U-FLANGE .....	2	
15	JN6-K8265-00-00	PLATE, BODY PROTECTOR ..	1	
16	95607-06200-00	NUT, SELF U-FLANGE .....	2	
17	JN3-K8273-00-00	COVER, HOLE .....	1	
18	JF2-K8114-02-00	PANEL, FRONT .....	1	
19	90269-08069-00	RIVET .....	3	
20	JN3-K815G-00-00	SEAL, FRONT STORAGE ....	1	
21	JN3-K7768-00-00	LABEL, WARNING 8 .....	1	UR, FOR USA, SEE NOTE A
	JN3-K7768-10-00	LABEL, WARNING 8 .....	1	UR, FOR CANADA, SEE NOTE A
	JN3-K7768-20-00	LABEL, WARNING 8 .....	1	UR, FOR EUROPE, SEE NOTE A
22	JN3-K835E-00-00	HOLDER, BEVERAGE .....	1	

## CONTENTS

ACCELERATOR	B3
BODY 1	B8-9
BODY 2	B10-11
BODY FITTING	B12
BRAKE 1	A10-12
BRAKE 2	B1
BRAKE 3	B2
BUMPER	B7
CARRIER	C1
CONTROLLER 1	C5
CONTROLLER 2	C6
ELECTRIC MOTOR	C4
ELECTRICAL 1	C7-8
FRAME	A6
FRONT SUSPENSION WHEEL	A7-8
OPTIONAL GAUGES	C9
OPTIONAL HUB CAPS	C10
OPTIONAL LIGHT KIT	D3
OPTIONAL LIGHT KIT	
STREAMLINE JU2	D4-5
OPTIONAL SUN ROOF JN3	D1
OPTIONAL SUN ROOF JN6	D2
OPTIONAL WINDSHIELD JN3	C11
OPTIONAL WINDSHIELD JN6	C12
REAR ARM SUSPENSION	A5
REAR AXLE MOUNT WHEEL	B6
SEAT	C2-3
STEERING	A9
TRANSAXLE 1	B4-5
-MODELS IN THIS CATALOG	D6



NOTE A: When replacing "Housing Holder (JN3-K835G-00-00), you must also replace "Label Warning 8 (JN4-K7768-\*\*-00).

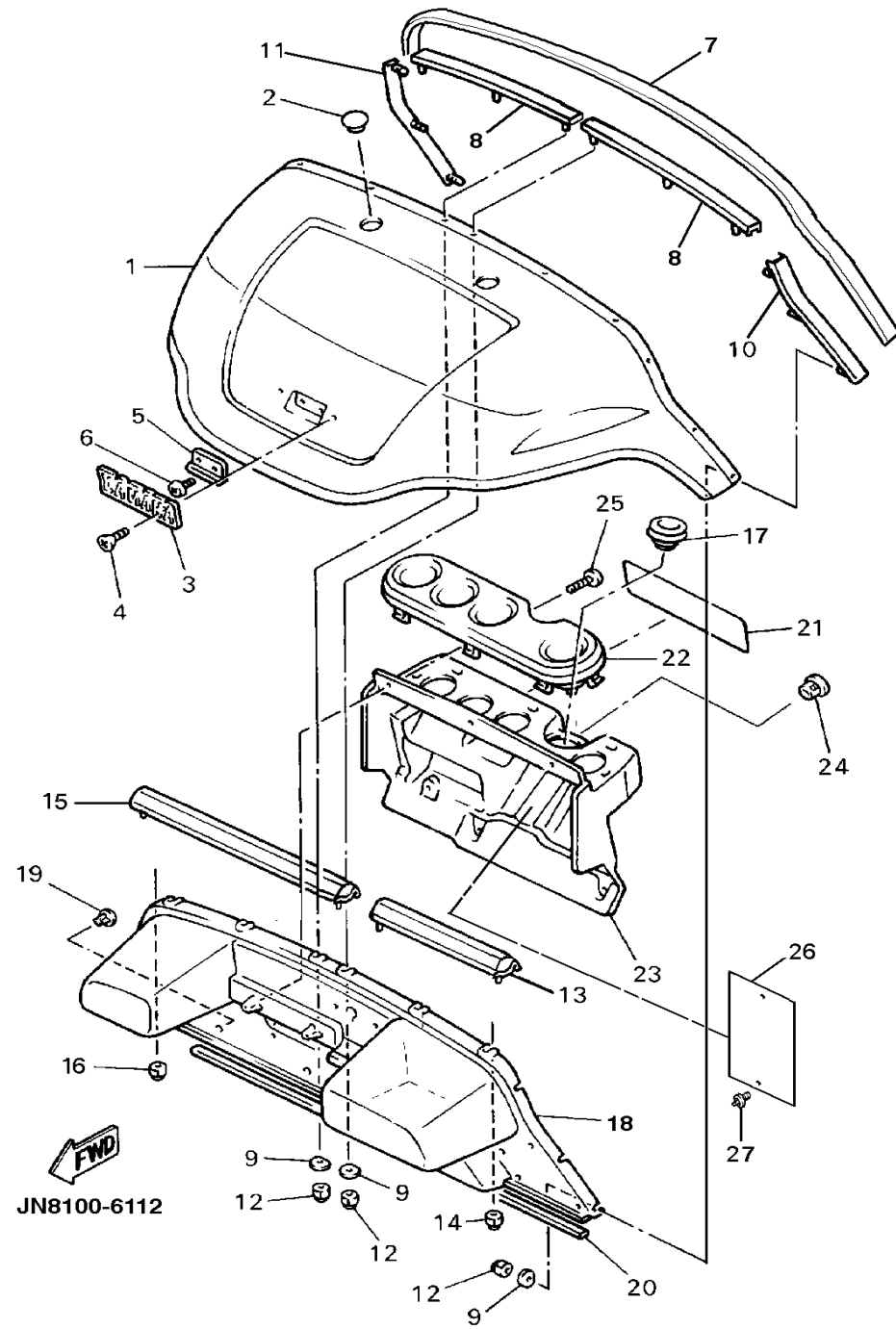
CONTINUED ON NEXT FRAME ►

# BODY 1

Ref. No.	Part Number	Description	Qty	Remarks
23	JN3-K835G-00-00	HOUSING, HOLDER .....	1	SEE NOTE A
24	90338-14827-00	PLUG .....	1	
25	97707-60130-00	SCREW, PAN HEAD .....	2	
26	JN6-K8182-00-0	PLATE 2 .....	1	
27	90267-63047-00	RIVET, BLIND .....	2	

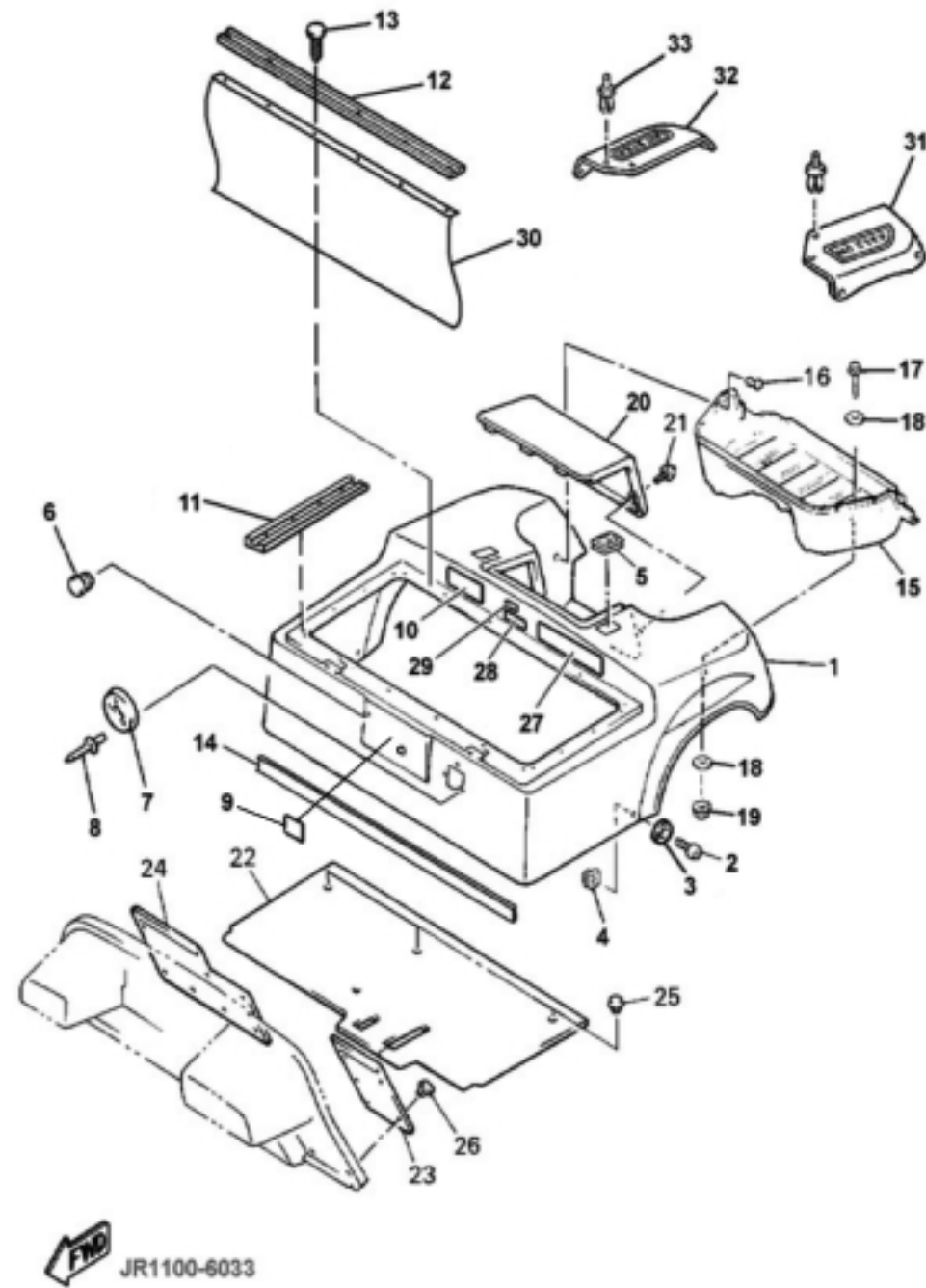
## CONTENTS

ACCELERATOR	B3
BODY 1	B8-9
BODY 2	B10-11
BODY FITTING	B12
BRAKE 1	A10-12
BRAKE 2	B1
BRAKE 3	B2
BUMPER	B7
CARRIER	C1
CONTROLLER 1	C5
CONTROLLER 2	C6
ELECTRIC MOTOR	C4
ELECTRICAL 1	C7-8
FRAME	A6
FRONT SUSPENSION WHEEL	A7-8
OPTIONAL GAUGES	C9
OPTIONAL HUB CAPS	C10
OPTIONAL LIGHT KIT	D3
OPTIONAL LIGHT KIT	
STREAMLINE JU2	D4-5
OPTIONAL SUN ROOF JN3	D1
OPTIONAL SUN ROOF JN6	D2
OPTIONAL WINDSHIELD JN3	C11
OPTIONAL WINDSHIELD JN6	C12
REAR ARM SUSPENSION	A5
REAR AXLE MOUNT WHEEL	B6
SEAT	C2-3
STEERING	A9
TRANSAXLE 1	B4-5
-MODELS IN THIS CATALOG	D6



NOTE A: When replacing "Housing Holder (JN3-K835G-00-00), you must also replace "Label Warning 8 (JN4-K7768-\*\*-00).

# BODY 2



NOTE "A": When replacing "Panel Rear Body JN4-K8142-\*\*-00" you must also replace "Label Warning 5 JR1-K7765-00-00", and "Plate Caution 1 JN4-K8297-10-00".

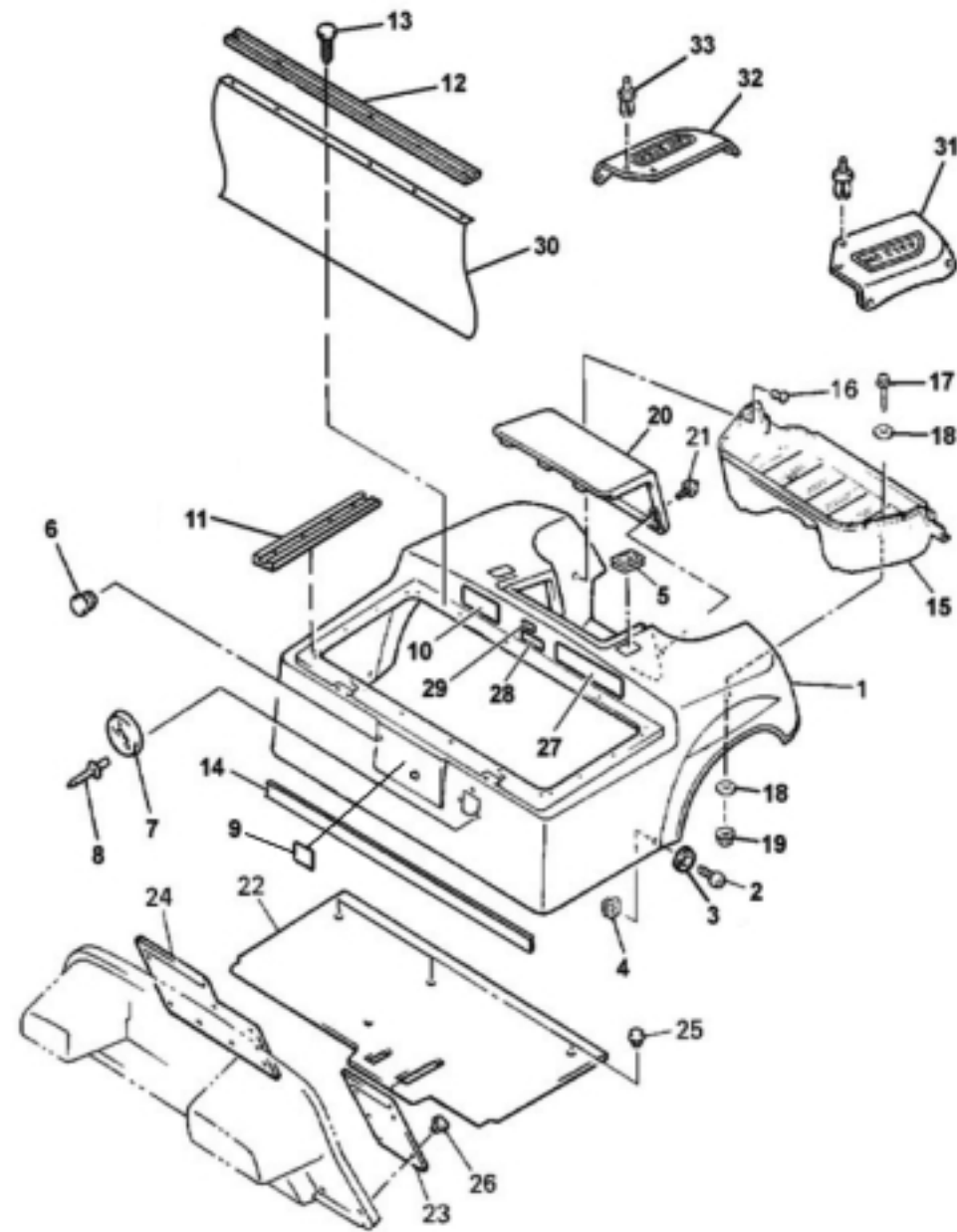
Ref. No.	Part Number	Description	Qty	Remarks
1	JN4-K8142-00-00	PANEL, REAR BODY IVORY ..	1	UR, SEE NOTE A, ~JN8-307500
	JN4-K8142-10-00	PANEL, REAR BODY RED ....	1	UR, SEE NOTE A, ~JN8-307500
	JN4-K8142-20-00	PANEL, REAR BODY GRAY ..	1	UR, SEE NOTE A, ~JN8-307500
	JN4-K8142-30-00	PANEL, REAR BODY TEAL ...	1	UR, SEE NOTE A, ~JN8-307500
	JN4-K8142-50-00	PANEL, REAR BODY HUNTER GREEN .....	1	UR, SEE NOTE A, ~JN8-307500
	JN8-K8142-00-00	PANEL, REAR BODY IVORY ..	1	UR, SEE NOTE A, JN8-400101~
	JN8-K8142-10-00	PANEL, REAR BODY RED ....	1	UR, SEE NOTE A, JN8-400101~
	JN8-K8142-30-00	PANEL, REAR BODY TEAL ...	1	UR, SEE NOTE A, JN8-400101~
	JN8-K8142-50-00	PANEL, REAR BODY HUNTER GREEN .....	1	UR, SEE NOTE A, JN8-400101~
2	90110-06200-00	BOLT, HEXAGON SOCKET HEAD .....	2	
3	90201-068H0-00	WASHER, PLAIN .....	2	
4	90183-06811-00	NUT, SPRING .....	2	
5	JN3-K8363-00-00	PROTECTOR .....	2	
6	90338-11831-00	PLUG .....	1	
7	JN4-K827A-00-00	GUIDE 1 .....	1	UR, ~JN8-307500
	JN8-K811V-00-00	GUIDE, 1 (RUBBER) .....	1	UR, JN8-400101~
8	90267-60840-00	RIVET, BLIND .....	3	UR, ~JN8-307500
9	JN3-K7741-00-00	INDICATOR .....	1	SEE NOTE A
10	JN4-K7765-00-00	LABEL, WARNING .....	1	SEE NOTE A
11	JN3-K8425-00-00	SEAL, SEAT .....	2	
12	JN3-K842A-00-00	SEAL, SEAT .....	2	
13	90338-05834-00	PLUG .....	20	

## CONTENTS

ACCELERATOR	B3
BODY 1	B8-9
BODY 2	B10-11
BODY FITTING	B12
BRAKE 1	A10-12
BRAKE 2	B1
BRAKE 3	B2
BUMPER	B7
CARRIER	C1
CONTROLLER 1	C5
CONTROLLER 2	C6
ELECTRIC MOTOR	C4
ELECTRICAL 1	C7-8
FRAME	A6
FRONT SUSPENSION WHEEL	A7-8
OPTIONAL GAUGES	C9
OPTIONAL HUB CAPS	C10
OPTIONAL LIGHT KIT	D3
OPTIONAL LIGHT KIT STREAMLINE JU2	D4-5
OPTIONAL SUN ROOF JN3	D1
OPTIONAL SUN ROOF JN6	D2
OPTIONAL WINDSHIELD JN3	C11
OPTIONAL WINDSHIELD JN6	C12
REAR ARM SUSPENSION	A5
REAR AXLE MOUNT WHEEL	B6
SEAT	C2-3
STEERING	A9
TRANSAXLE 1	B4-5
~MODELS IN THIS CATALOG	D6

CONTINUED ON NEXT FRAME ►

# BODY 2



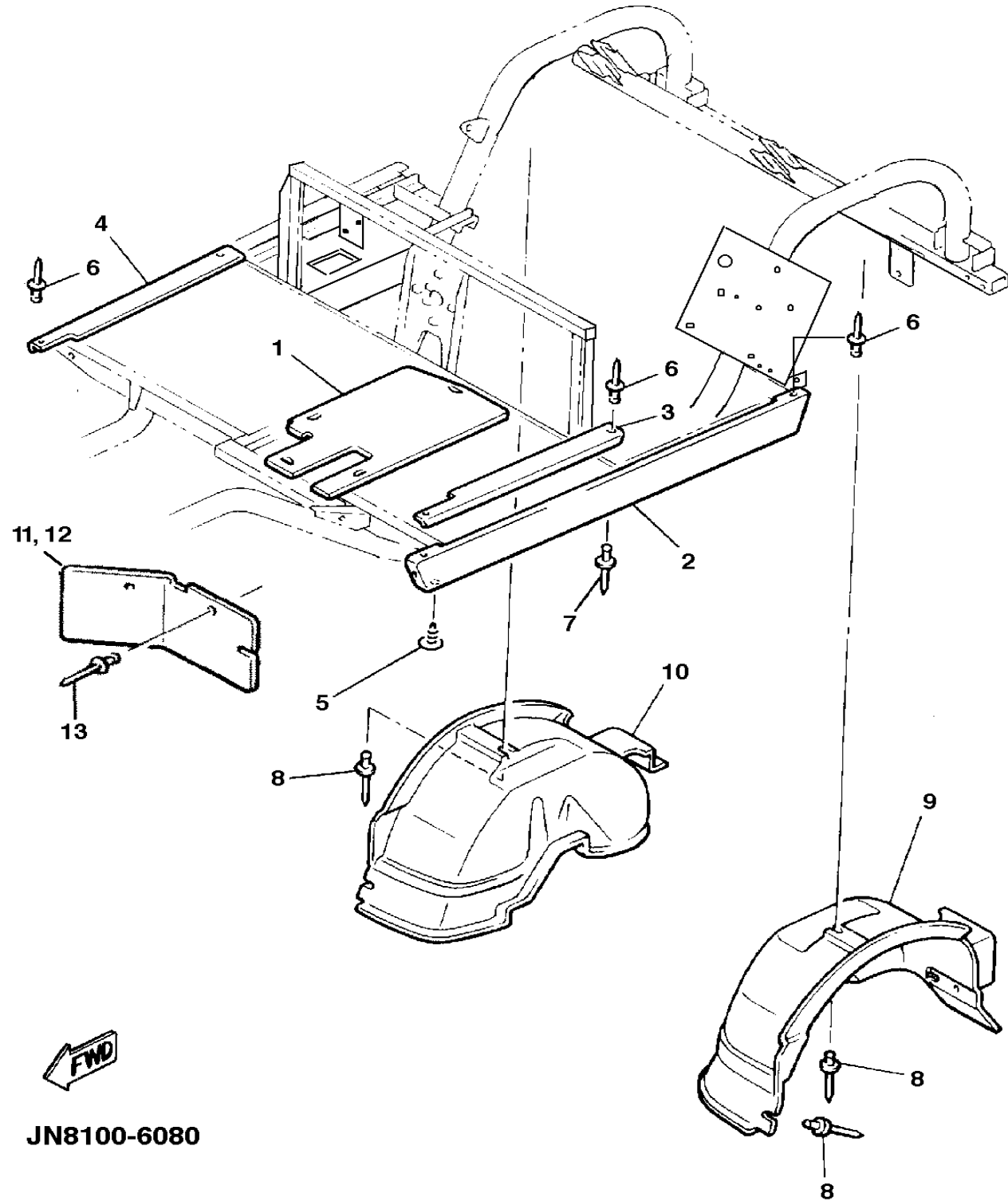
NOTE "A": When replacing "Panel Rear Body JN4-K8142-\*\*-00" you must also replace "Label Warning 5 JR1-K7765-00-00", and "Plate Caution 1 JN4-K8297-10-00".

Ref. No.	Part Number	Description	Qty	Remarks
14	JN6-K824E-00-00	TRIM, REAR BODY	1	
15	JF2-K8237-00-00	COVER, REAR FLOOR	1	
16	90269-08069-00	RIVET	7	
17	90119-06876-00	BOLT, HEX. W/WASHER	2	
18	90201-068G7-00	WASHER, PLAIN	4	
19	90185-06836-00	NUT, SELF-LOCKING	2	
20	JN3-K8151-00-00	PANEL, INSPECTION	1	
21	90267-36853-00	RIVET, BLIND	2	
22	JN6-K8233-00-00	MAT MAIN FLOOR 3	1	
23	JN6-K8231-00-00	MAT MAIN FLOOR 1	1	
24	JN6-K8232-00-00	MAT MAIN FLOOR 2	1	
25	90269-08813-00	RIVET	4	
26	90267-63047-00	RIVET, BLIND	9	
27	JN4-K8297-00-00	PLATE, CAUTION	1	SEE NOTE A
28	JN8-F4236-01-00	MARK 2	1	JN8-000101~JN8-001800
	JN8-F4236-10-00	MARK 2	1	JN8-100101~JN8-104200
	JN8-F4236-20-00	MARK 2	1	JN8-200101~JN8-206300
	JN8-F4236-30-00	MARK 2	1	JN8-300101~JN8-307500
	JN8-F4236-40-00	MARK 2	1	JN8-400101~
29	JN6-F4239-00-00	MARK 5	1	
30	JN8-K836A-00-00	PROTECTOR 2	1	JN8-202492~
31	JN3-K8243-00-00	MAT, BODY SIDE LEFT	1	JN8-100101~
32	JN3-K8244-00-00	MAT, BODY SIDE RIGHT	1	JN8-100101~
33	90269-7810-00	RIVET	10	JN8-100101~

## CONTENTS

ACCELERATOR	B3
BODY 1	B8-9
BODY 2	B10-11
BODY FITTING	B12
BRAKE 1	A10-12
BRAKE 2	B1
BRAKE 3	B2
BUMPER	B7
CARRIER	C1
CONTROLLER 1	C5
CONTROLLER 2	C6
ELECTRIC MOTOR	C4
ELECTRICAL 1	C7-8
FRAME	A6
FRONT SUSPENSION WHEEL	A7-8
OPTIONAL GAUGES	C9
OPTIONAL HUB CAPS	C10
OPTIONAL LIGHT KIT	D3
OPTIONAL LIGHT KIT STREAMLINE JU2	D4-5
OPTIONAL SUN ROOF JN3	D1
OPTIONAL SUN ROOF JN6	D2
OPTIONAL WINDSHIELD JN3	C11
OPTIONAL WINDSHIELD JN6	C12
REAR ARM SUSPENSION	A5
REAR AXLE MOUNT WHEEL	B6
SEAT	C2-3
STEERING	A9
TRANSAXLE 1	B4-5
~MODELS IN THIS CATALOG	D6

# BODY FITTING



JN8100-6080

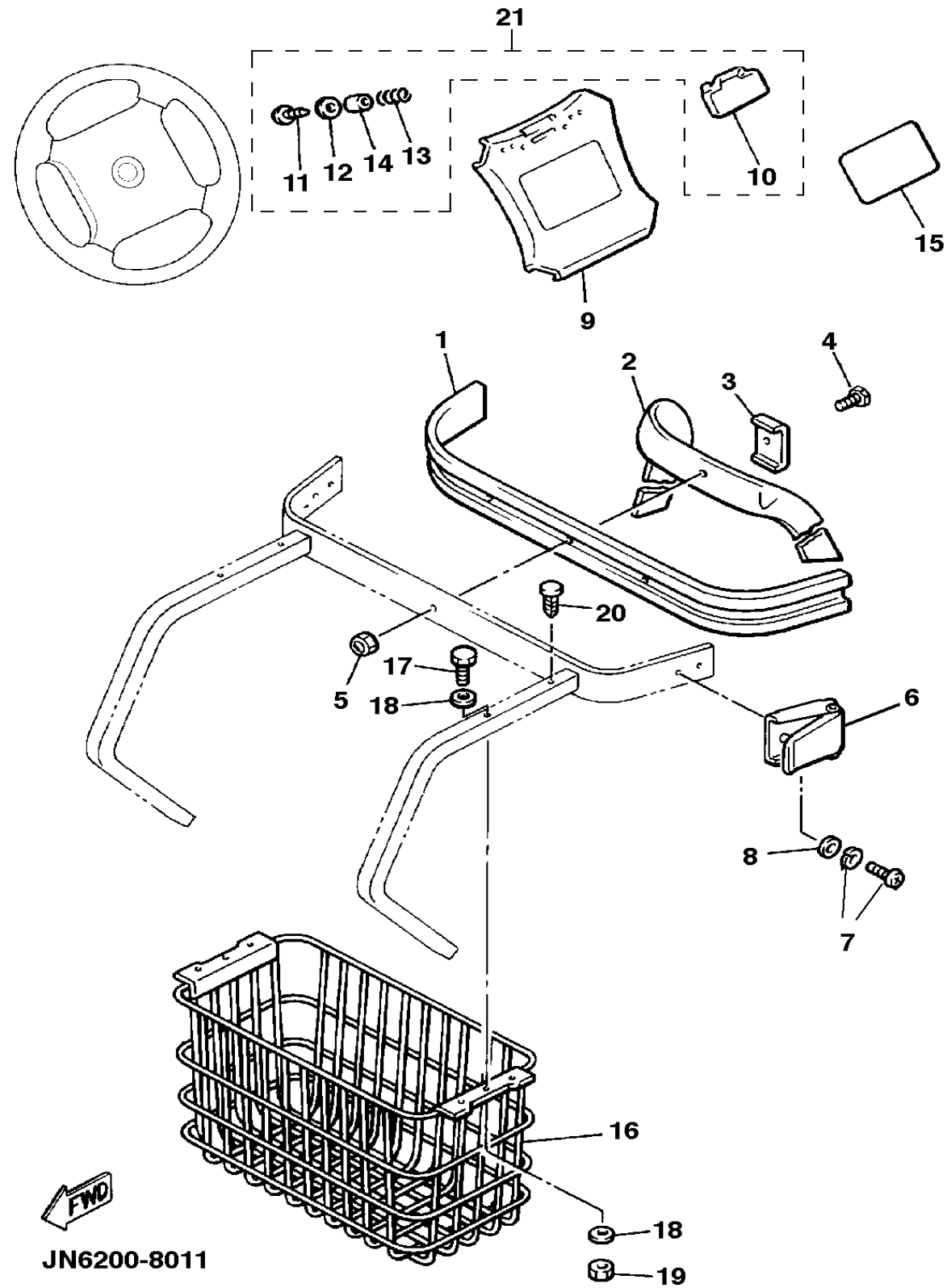
Ref. No.	Part Number	Description	Qty	Remarks
1	JN6-K8271-00-00	SERVICE LID .....	1	
2	JF2-K818A-00-00	PROTECTOR, SIDE .....	2	
3	JF2-K8215-10-00	PLATE, SIDE TRIM .....	1	
4	JF2-K821F-10-00	PLATE, SIDE TRIM .....	1	
5	90338-05829-00	PLUG .....	6	
6	90267-48154-00	RIVET, BLIND .....	4	
7	90267-48831-00	RIVET, BLIND .....	4	
8	90267-48086-00	RIVET, BLIND .....	4	
9	JF2-K8191-00-00	PANEL, REAR FENDER .....	1	
10	JF2-K8192-00-00	PANEL, REAR FENDER .....	1	
11	JF2-K8187-00-00	FLAP, FRONT FENDER LEFT .	1	
12	JF2-K8189-00-00	FLAP, FRONT FENDER RIGHT	1	
13	90267-48831-00	RIVET, BLIND .....	4	

## CONTENTS

ACCELERATOR	B3
BODY 1	B8-9
BODY 2	B10-11
BODY FITTING	B12
BRAKE 1	A10-12
BRAKE 2	B1
BRAKE 3	B2
BUMPER	B7
CARRIER	C1
CONTROLLER 1	C5
CONTROLLER 2	C6
ELECTRIC MOTOR	C4
ELECTRICAL 1	C7-8
FRAME	A6
FRONT SUSPENSION WHEEL	A7-8
OPTIONAL GAUGES	C9
OPTIONAL HUB CAPS	C10
OPTIONAL LIGHT KIT	D3
OPTIONAL LIGHT KIT STREAMLINE JU2	D4-5
OPTIONAL SUN ROOF JN3	D1
OPTIONAL SUN ROOF JN6	D2
OPTIONAL WINDSHIELD JN3	C11
OPTIONAL WINDSHIELD JN6	C12
REAR ARM SUSPENSION	A5
REAR AXLE MOUNT WHEEL	B6
SEAT	C2-3
STEERING	A9
TRANSAXLE 1	B4-5
-MODELS IN THIS CATALOG	D6



# CARRIER



Ref. No.	Part Number	Description	Qty	Remarks
1	JF2-K8356-00-00	PAD, BAG SUPPORT .....	1	
2	JN6-K8355-00-00	BAND .....	1	
3	J38-78367-00-00	PLATE, ANCHOR .....	1	
4	90101-06865-00	BOLT, HEX .....	1	
5	90185-06836-00	NUT, SELF-LOCKING .....	1	
6	JN6-K8380-00-00	LOCK ASSY .....	2	
7	90159-06845-00	SCREW, WITH WASHER .....	4	
8	9299R-06200-00	WASHER, PLAIN .....	4	
9	JN3-K8357-00-00	HOLDER .....	1	ALSO REPLACE LABEL WARNING 2 JN3-K7762-01-**
10	JN6-K8358-00-00	HOLDER, 2 .....	1	
11	97707-40625-00	SCREW, PAN HEAD .....	2	
12	90201-044H9-00	WASHER, PLAIN .....	2	
13	90502-10013-00	SPRING, CONICAL .....	2	
14	90387-046N7-00	COLLAR .....	2	
15	JN3-K7762-01-00	LABEL, WARNING 2 .....	1	UR, FOR USA
	JN3-K7762-10-00	LABEL, WARNING 2 .....	1	UR, FOR CANADA
	JN3-K7762-20-00	LABEL, WARNING 2 .....	1	UR, FOR EUROPE
16	JN3-K8340-00-00	LUGGAGE RACK .....	1	
17	90111-08803-00	BOLT, HEX. SOCKET .....	2	
18	90201-08103-00	WASHER, PLAIN .....	4	
19	90185-08832-00	NUT, SELF-LOCKING .....	2	
20	90338-09828-00	PLUG .....	2	
21	JN6-K8358-00-KT	SCOREBOARD HOLDER KIT ..	1	INCLUDES REF. #10, 11, 12, 13 & 14

## CONTENTS

ACCELERATOR	B3
BODY 1	B8-9
BODY 2	B10-11
BODY FITTING	B12
BRAKE 1	A10-12
BRAKE 2	B1
BRAKE 3	B2
BUMPER	B7
CARRIER	C1
CONTROLLER 1	C5
CONTROLLER 2	C6
ELECTRIC MOTOR	C4
ELECTRICAL 1	C7-8
FRAME	A6
FRONT SUSPENSION WHEEL	A7-8
OPTIONAL GAUGES	C9
OPTIONAL HUB CAPS	C10
OPTIONAL LIGHT KIT	D3
OPTIONAL LIGHT KIT	
STREAMLINE JU2	D4-5
OPTIONAL SUN ROOF JN3	D1
OPTIONAL SUN ROOF JN6	D2
OPTIONAL WINDSHIELD JN3	C11
OPTIONAL WINDSHIELD JN6	C12
REAR ARM SUSPENSION	A5
REAR AXLE MOUNT WHEEL	B6
SEAT	C2-3
STEERING	A9
TRANSAXLE 1	B4-5
-MODELS IN THIS CATALOG	D6

# SEAT

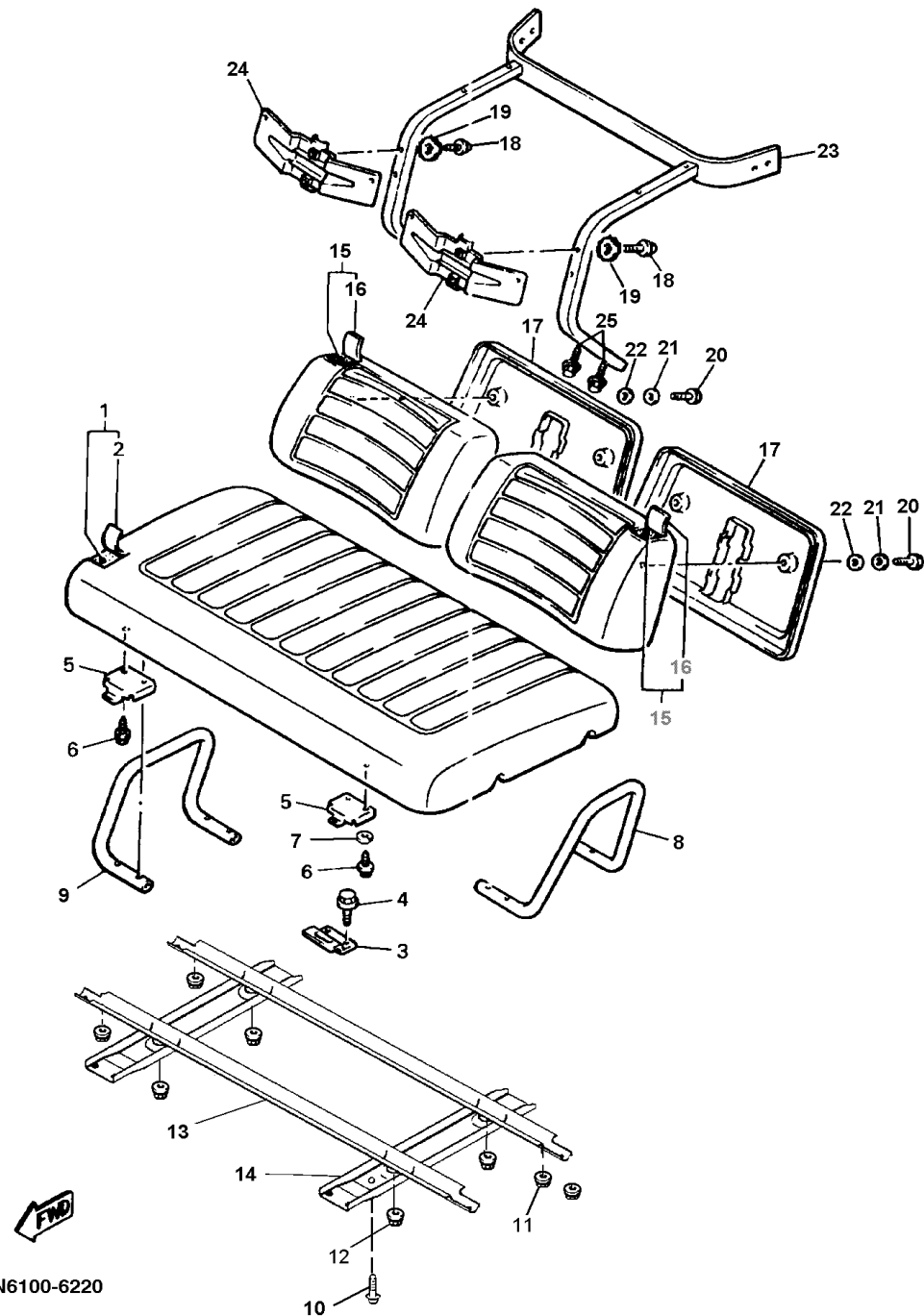
Ref. No.	Part Number	Description	Qty	Remarks
1	JN6-K8401-00-00	CUSHION SEAT .....	1	UR, ~JN8-300100
	JN6-K8401-10-00	CUSHION, SEAT .....	1	UR, JN8-300101~
2	JN6-K8404-09-00	. COVER, SEAT .....	1	UR, ~JN8-300100, FOR -00 SEAT
	JN6-K8404-10-00	. COVER, SEAT .....	1	UR, JN8-300101~, FOR -10 SEAT
3	JF2-K8427-00-00	HINGE, SEAT FEMALE .....	2	
4	90105-06903-00	BOLT, FLANGE .....	4	
5	JN3-K8426-00-00	HINGE, SEAT MALE .....	2	UR ~JN8-202900
	JN3-K8426-01-00	HINGE, SEAT MALE .....	2	UR JN8-202901~
6	97095-05012-00	BOLT, HEX .....	4	UR ~JN8-202900
	90111-06810-00	BOLT, BUTTON .....	4	UR JN8-202901~
7	92990-05100-00	WASHER, LOCK .....	4	UR ~JN8-202900
	90204-06870-00	WASHER, LOCK .....	4	UR JN8-202901~
8	JN3-K8361-00-00	ARM REST .....	1	
9	JN6-K8362-00-00	ARM REST 2 .....	1	
10	90167-04815-00	SCREW, P/H TAPPING .....	4	
11	90185-08839-00	NUT, SELF-LOCKING .....	8	
12	95607-08200-00	NUT, U-FLANGE .....	4	
13	JN6-K8121-00-00	REINFORCEMENT 1 .....	2	
14	JN6-K8122-00-00	REINFORCEMENT 2 .....	2	~JN8-202900 NOT AVAILABLE, USE -01 AND SEE NOTE A
	JN6-K8122-01-00	REINFORCEMENT 2 .....	2	JN8-202901~, SEE NOTE A
15	JN3-K8402-00-00	BACK, SEAT SUB .....	2	
16	JN3-K841G-09-00	. COVER, SEAT BACK 2 .....	1	
17	JN3-K8413-00-00	COVER, SEAT BACK .....	2	
18	90119-08820-00	BOLT, HEX WITH WASHER ...	4	
19	90201-098J4-00	WASHER, PLAIN .....	4	
20	95880-06025-00	BOLT, FLANGE .....	4	

## CONTENTS

ACCELERATOR	B3
BODY 1	B8-9
BODY 2	B10-11
BODY FITTING	B12
BRAKE 1	A10-12
BRAKE 2	B1
BRAKE 3	B2
BUMPER	B7
CARRIER	C1
CONTROLLER 1	C5
CONTROLLER 2	C6
ELECTRIC MOTOR	C4
ELECTRICAL 1	C7-8
FRAME	A6
FRONT SUSPENSION WHEEL	A7-8
OPTIONAL GAUGES	C9
OPTIONAL HUB CAPS	C10
OPTIONAL LIGHT KIT	D3
OPTIONAL LIGHT KIT STREAMLINE JU2	D4-5
OPTIONAL SUN ROOF JN3	D1
OPTIONAL SUN ROOF JN6	D2
OPTIONAL WINDSHIELD JN3	C11
OPTIONAL WINDSHIELD JN6	C12
REAR ARM SUSPENSION	A5
REAR AXLE MOUNT WHEEL	B6
SEAT	C2-3
STEERING	A9
TRANSAXLE 1	B4-5
~MODELS IN THIS CATALOG	D6

CONTINUED ON NEXT FRAME ►

NOTE A: For early units up to and including Frame # JN8-202900, you must also use ref. # 5 (JN3-K8426-01-00, Hinge, Seat Male), #6 (90111-06810-00, Bolt Button) and #7 (90204-06870-00, Washer, Lock).

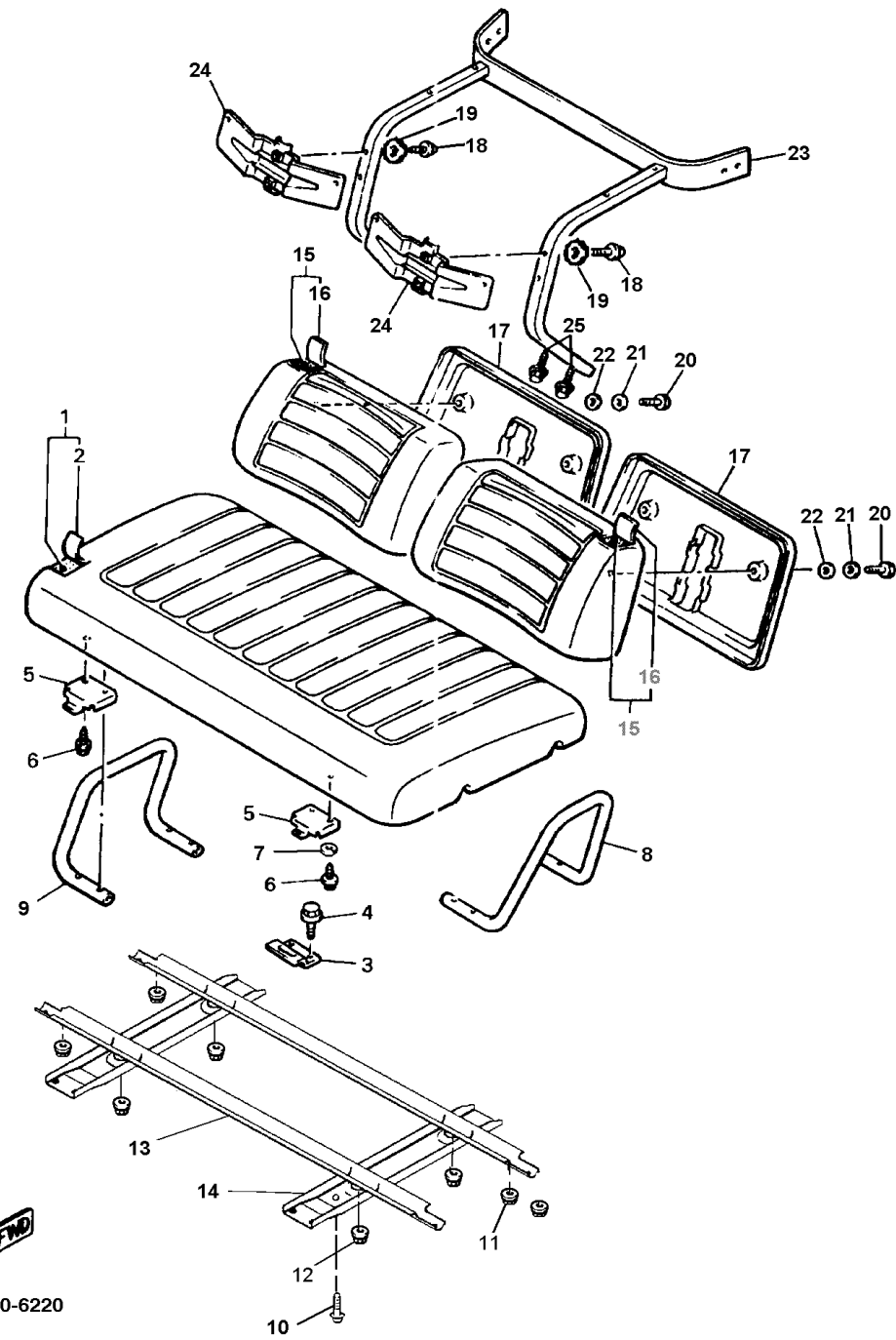


# SEAT

Ref. No.	Part Number	Description	Qty	Remarks
21	90201-068G0-00	WASHER, PLAIN	4	
22	90201-068G6-00	WASHER, PLAIN	4	
23	JN3-K8423-11-00	SUPPORT, SEAT BACK	1	
24	JN3-K842H-00-00	RETAINER, SEAT	2	
25	95817-08045-00	BOLT, FLANGE	4	

## CONTENTS

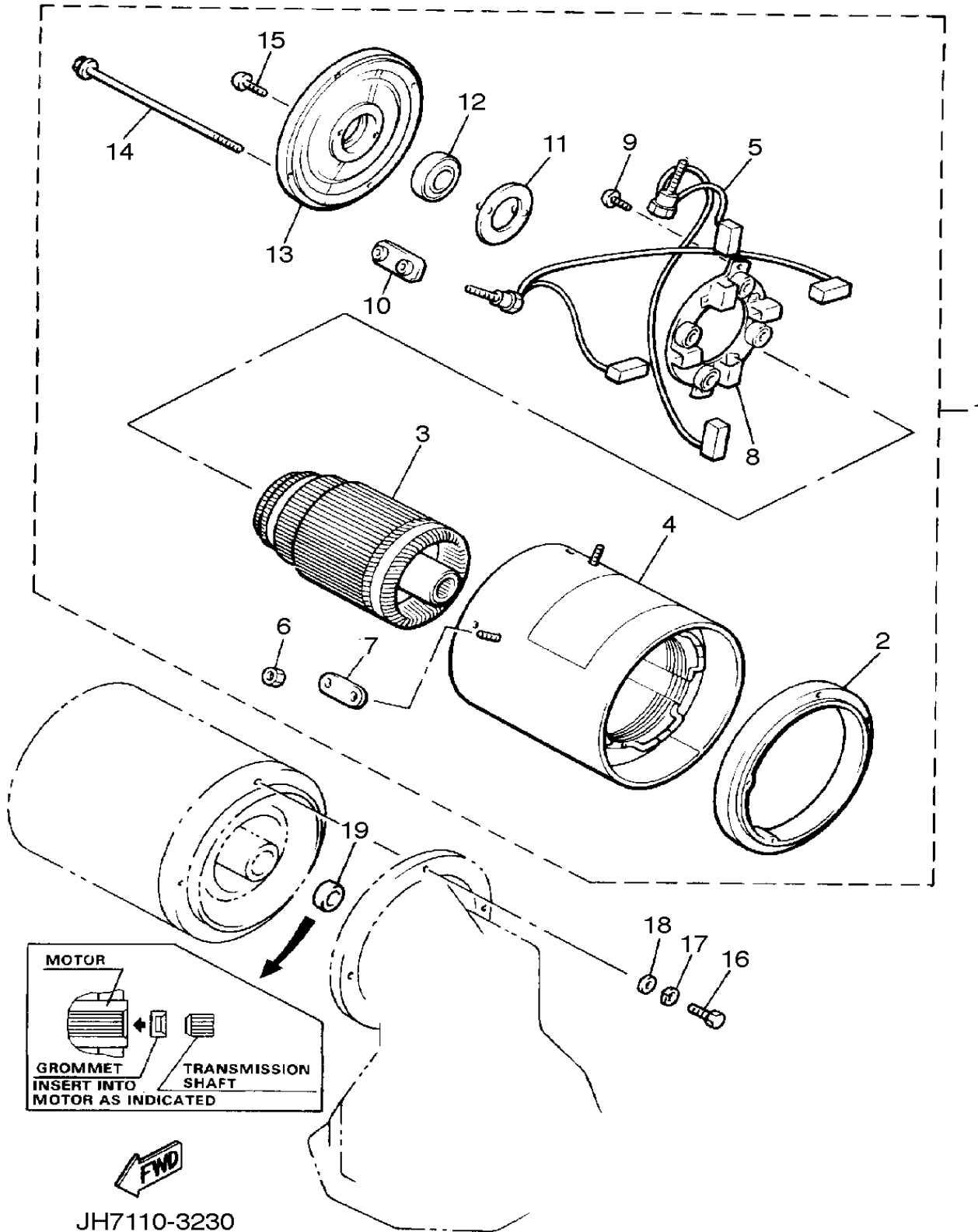
ACCELERATOR	B3
BODY 1	B8-9
BODY 2	B10-11
BODY FITTING	B12
BRAKE 1	A10-12
BRAKE 2	B1
BRAKE 3	B2
BUMPER	B7
CARRIER	C1
CONTROLLER 1	C5
CONTROLLER 2	C6
ELECTRIC MOTOR	C4
ELECTRICAL 1	C7-8
FRAME	A6
FRONT SUSPENSION WHEEL	A7-8
OPTIONAL GAUGES	C9
OPTIONAL HUB CAPS	C10
OPTIONAL LIGHT KIT	D3
OPTIONAL LIGHT KIT	
STREAMLINE JU2	D4-5
OPTIONAL SUN ROOF JN3	D1
OPTIONAL SUN ROOF JN6	D2
OPTIONAL WINDSHIELD JN3	C11
OPTIONAL WINDSHIELD JN6	C12
REAR ARM SUSPENSION	A5
REAR AXLE MOUNT WHEEL	B6
SEAT	C2-3
STEERING	A9
TRANSAXLE 1	B4-5
-MODELS IN THIS CATALOG	D6



JN6100-6220

NOTE A: For early units up to and including Frame # JN8-202900, you must also use ref. # 5 (JN3-K8426-01-00, Hinge, Seat Male), #6 (90111-06810-00, Bolt Button) and #7 (90204-06870-00, Washer, Lock).

# ELECTRIC MOTOR



Ref. No.	Part Number	Description	Qty	Remarks
1	JH7-H1890-10-00	MOTOR ASSEMBLY .....	1	
2	JH7-H183J-00-00	. BRACKET, FRONT .....	1	
3	JH7-H1850-00-00	. ARMATURE ASSEMBLY .....	1	
4	JH7-H1810-10-00	. STATOR ASSEMBLY .....	1	
5	JH7-H1801-00-00	. BRUSH SET .....	1	
6	JH7-H1872-00-00	. NUT, SPECIAL .....	4	
7	J51-H1843-00-00	. WASHER 1 .....	2	
8	JH7-H1840-00-00	. BRUSH HOLDER ASSEMBLY .....	1	
9	JH7-H1848-00-00	. SCREW, BRUSH HOLDER .....	2	
10	JG6-H1824-00-00	. WASHER 2 .....	2	
11	JH7-H1856-00-00	. BEARING .....	1	
12	J56-H1857-00-00	. RETAINER .....	1	
13	JH7-H1822-00-00	. BRACKET, STARTING MOTOR .....	1	
14	JG6-H1828-00-00	. BOLT 2 .....	4	
15	JH7-H1846-00-00	. SCREW .....	2	
16	90101-06857-00	BOLT .....	3	
17	90215-06811-00	WASHER, LOCK .....	3	
18	90201-068E2-00	WASHER, PLATE .....	3	
19	JH7-H1829-00-00	GROMMET .....	1	

## CONTENTS

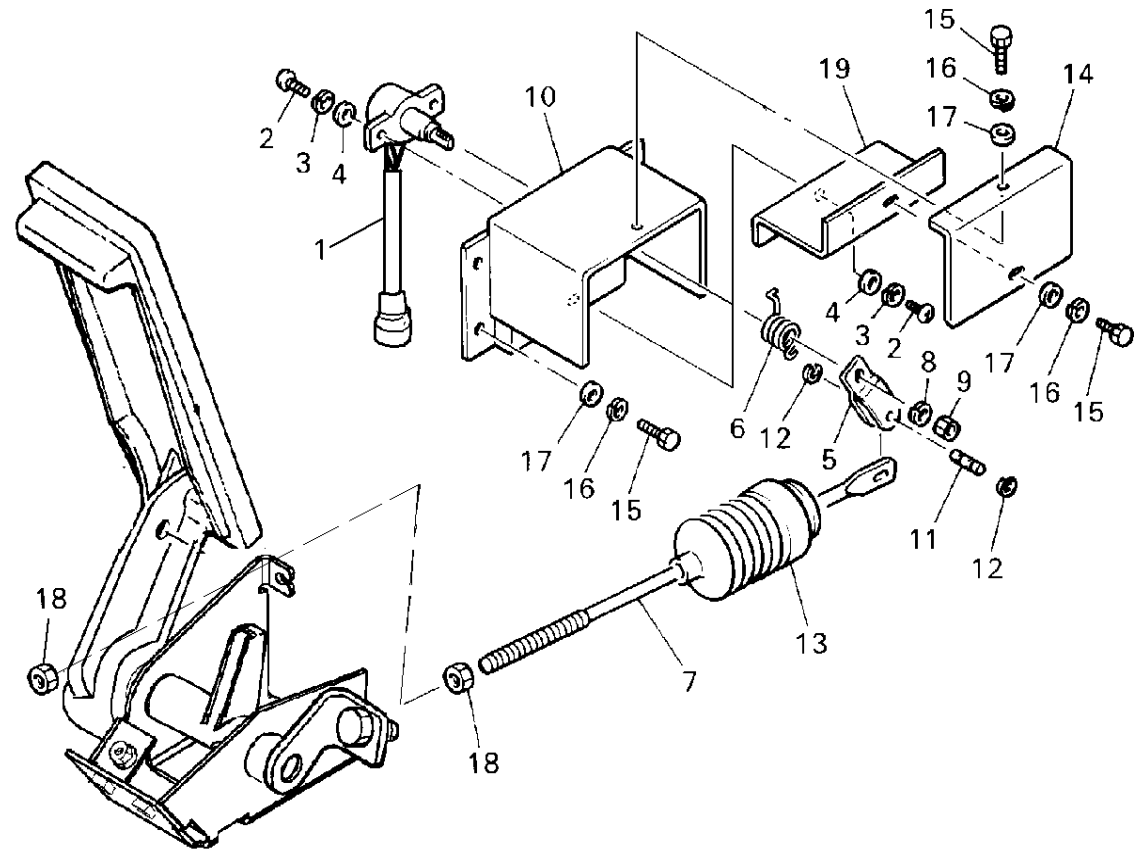
ACCELERATOR	B3
BODY 1	B8-9
BODY 2	B10-11
BODY FITTING	B12
BRAKE 1	A10-12
BRAKE 2	B1
BRAKE 3	B2
BUMPER	B7
CARRIER	C1
CONTROLLER 1	C5
CONTROLLER 2	C6
ELECTRIC MOTOR	C4
ELECTRICAL 1	C7-8
FRAME	A6
FRONT SUSPENSION WHEEL	A7-8
OPTIONAL GAUGES	C9
OPTIONAL HUB CAPS	C10
OPTIONAL LIGHT KIT	D3
OPTIONAL LIGHT KIT STREAMLINE JU2	D4-5
OPTIONAL SUN ROOF JN3	D1
OPTIONAL SUN ROOF JN6	D2
OPTIONAL WINDSHIELD JN3	C11
OPTIONAL WINDSHIELD JN6	C12
REAR ARM SUSPENSION	A5
REAR AXLE MOUNT WHEEL	B6
SEAT	C2-3
STEERING	A9
TRANSAXLE 1	B4-5
-MODELS IN THIS CATALOG	D6

# CONTROLLER 1

Ref. No.	Part Number	Description	Qty	Remarks
1	JN4-85885-01-00	THROTTLE SENSOR .....	1	
2	98507-05016-00	SCREW, PAN HEAD .....	3	
3	92907-05100-00	WASHER, LOCK .....	3	
4	92907-05600-00	WASHER, PLATE .....	3	
5	JF3-2625H-00-00	ARM, THROTTLE .....	1	
6	JF3-27825-00-00	SPRING, RETURN .....	1	
7	JN4-F7241-00-00	ROD, JOINT .....	1	
8	92907-06100-00	WASHER, SPRING .....	1	
9	95307-06600-00	NUT, HEX .....	1	
10	JF3-27981-00-00	BRACKET, THROTTLE .....	1	
11	JF3-27813-00-00	PIN, PEDAL CRANK .....	1	
12	99001-04600-00	CIRCLIP (E) .....	2	
13	JN4-F7486-00-00	COVER, 1 .....	1	
14	JF3-27487-00-00	COVER 2 .....	1	
15	97007-05016-00	BOLT .....	6	
16	92907-05100-00	WASHER, LOCK .....	6	
17	92907-05600-00	WASHER, PLATE .....	6	
18	95317-08700-00	NUT, HEX .....	2	
19	JF3-27445-00-00	PLATE 1 .....	1	

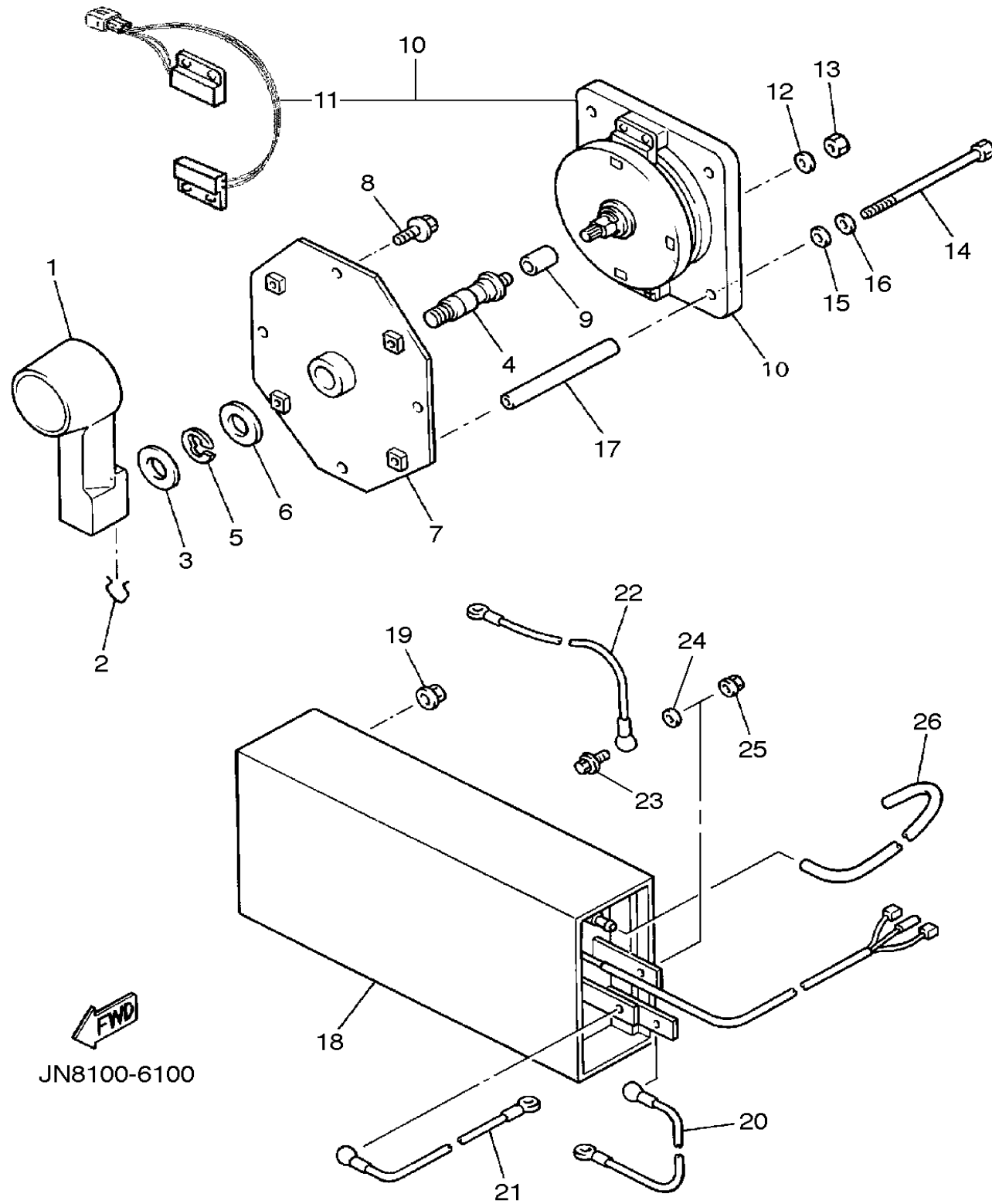
## CONTENTS

ACCELERATOR	B3
BODY 1	B8-9
BODY 2	B10-11
BODY FITTING	B12
BRAKE 1	A10-12
BRAKE 2	B1
BRAKE 3	B2
BUMPER	B7
CARRIER	C1
CONTROLLER 1	C5
CONTROLLER 2	C6
ELECTRIC MOTOR	C4
ELECTRICAL 1	C7-8
FRAME	A6
FRONT SUSPENSION WHEEL	A7-8
OPTIONAL GAUGES	C9
OPTIONAL HUB CAPS	C10
OPTIONAL LIGHT KIT	D3
OPTIONAL LIGHT KIT STREAMLINE JU2	D4-5
OPTIONAL SUN ROOF JN3	D1
OPTIONAL SUN ROOF JN6	D2
OPTIONAL WINDSHIELD JN3	C11
OPTIONAL WINDSHIELD JN6	C12
REAR ARM SUSPENSION	A5
REAR AXLE MOUNT WHEEL	B6
SEAT	C2-3
STEERING	A9
TRANSAXLE 1	B4-5
-MODELS IN THIS CATALOG	D6



JN8100-6090

# CONTROLLER 2



Ref. No.	Part Number	Description	Qty	Remarks
1	JN3-G6381-00-00	KNOB, SHIFT .....	1	
2	JN3-G6376-00-00	SPRING SET .....	1	
3	90201-201L9-00	WASHER, PLAIN .....	1	
4	JF3-46392-00-00	BAR 1 .....	1	
5	99009-19400-00	CIRCLIP (S) .....	1	
6	90201-19551-00	WASHER, PLAIN .....	1	
7	JN4-G6372-00-00	BRACKET, SHIFT .....	1	
8	95817-06016-00	BOLT, FLANGE .....	4	
9	J41-46394-00-00	JOINT .....	1	
10	JN4-82917-00-00	F/R SELECT SWITCH ASSEMBLY .....	1	FWD/REV SWITCH
11	JN4-8253R-00-00	. REED SWITCH ASSY .....	1	
12	92907-06100-00	WASHER, SPRING .....	4	
13	95317-06600-00	NUT (95307-06600-00) .....	4	
14	97007-06100-00	BOLT, HEXAGON .....	4	
15	92907-06200-00	WASHER .....	4	
16	92907-06100-00	WASHER, SPRING .....	4	
17	90387-061W6-00	COLLAR .....	4	
18	JN4-86510-03-00	MOTOR CONTROL UNIT .....	1	
19	95707-06500-00	NUT, FLANGE .....	4	
20	JN4-86521-00-00	WIRE, 1 .....	1	
21	JN4-86522-00-00	WIRE, 2 .....	1	
22	JN8-H6523-00-00	WIRE, 3 .....	1	
23	97007-05012-00	BOLT .....	3	
24	92907-05600-00	WASHER, PLATE .....	3	
25	95707-05500-00	NUT, FLANGE .....	3	
26	90446-12375-00	HOSE .....	1	

## CONTENTS

ACCELERATOR	B3
BODY 1	B8-9
BODY 2	B10-11
BODY FITTING	B12
BRAKE 1	A10-12
BRAKE 2	B1
BRAKE 3	B2
BUMPER	B7
CARRIER	C1
CONTROLLER 1	C5
CONTROLLER 2	C6
ELECTRIC MOTOR	C4
ELECTRICAL 1	C7-8
FRAME	A6
FRONT SUSPENSION WHEEL	A7-8
OPTIONAL GAUGES	C9
OPTIONAL HUB CAPS	C10
OPTIONAL LIGHT KIT	D3
OPTIONAL LIGHT KIT STREAMLINE JU2	D4-5
OPTIONAL SUN ROOF JN3	D1
OPTIONAL SUN ROOF JN6	D2
OPTIONAL WINDSHIELD JN3	C11
OPTIONAL WINDSHIELD JN6	C12
REAR ARM SUSPENSION	A5
REAR AXLE MOUNT WHEEL	B6
SEAT	C2-3
STEERING	A9
TRANSAXLE 1	B4-5
-MODELS IN THIS CATALOG	D6

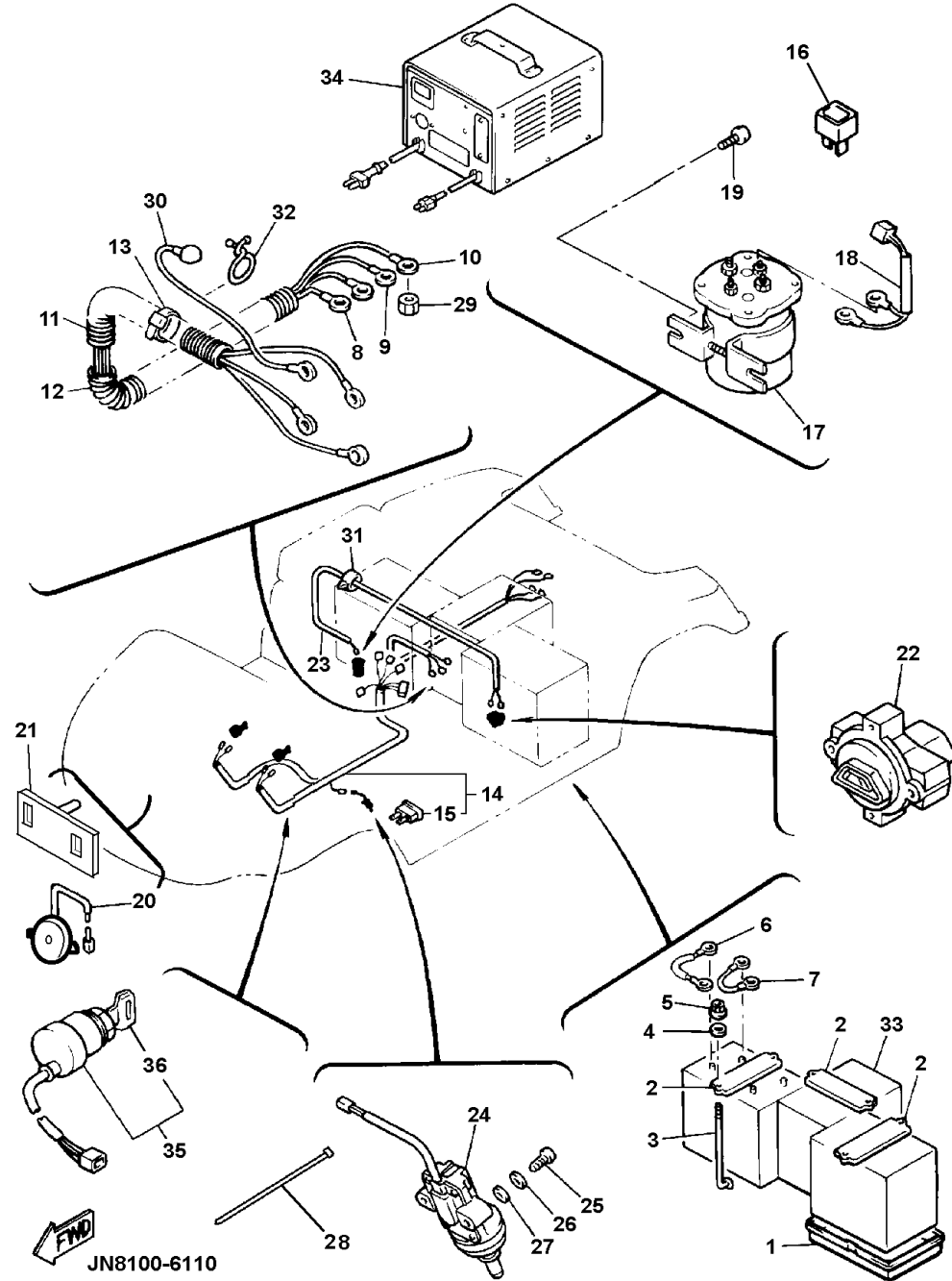
JN8100-6100

# ELECTRICAL 1

Ref. No.	Part Number	Description	Qty	Remarks
1	J56-H2123-00-00	SEAT, BATTERY .....	3	
2	JF3-H2136-00-00	PLATE, BATTERY .....	3	
3	JN4-H2133-00-00	SCREW, FITTING .....	6	
4	90201-065G8-00	WASHER, PLAIN .....	6	
5	95707-06500-00	NUT, FLANGE .....	6	
6	JN8-H2115-00-00	WIRE, PLUS LEAD .....	1	
7	J51-H2127-00-00	WIRE, LEAD 2 .....	5	
8	JF3-H2521-01-00	WIRE, LEAD .....	1	
9	JN4-H2531-00-00	WIRE, LEAD .....	1	
10	JF3-H6171-00-00	WIRE, LEAD 1 .....	1	
11	JF3-H7196-00-00	TUBE 1 .....	1	
12	JF3-H7197-00-00	TUBE 2 .....	1	
13	90465-13152-00	CLAMP .....	1	
14	JN8-H2590-00-00	WIRE HARNESS .....	1	UR, ~JN8-307500
	JN8-H2590-01-00	WIRE HARNESS .....	1	UR, SEE NOTE A, JN8-400101~
15	42X-82151-00-00	. FUSE, (10A-BL) .....	1	10A-BL
16	J44-81980-60-00	DIODE ASSEMBLY .....	2	
17	JF3-H1950-00-00	RELAY ASSEMBLY .....	1	
18	JN6-H2105-00-00	WIRE HARNESS .....	1	
19	90163-06005-00	SCREW, HEX .....	2	
20	JR1-H3383-01-00	BUZZER .....	1	
21	JN6-H3386-00-00	STAY, BUZZER .....	1	
22	JF3-86181-00-00	RECEPTACLE .....	1	UR, SEE NOTE A, JN8-400101~
	JN4-H6181-00-00	RECEPTACLE .....	1	UR, ~JN8-307500
23	JN8-H2105-00-00	HARNESS, WIRE .....	1	
24	JF7-82817-20-00	SWITCH, ACCELERATOR STOP	1	
25	98507-05025-00	SCREW, PAN HEAD .....	2	
26	92907-05100-00	WASHER, LOCK .....	2	
27	92907-05600-00	WASHER, PLATE .....	2	

## CONTENTS

ACCELERATOR	B3
BODY 1	B8-9
BODY 2	B10-11
BODY FITTING	B12
BRAKE 1	A10-12
BRAKE 2	B1
BRAKE 3	B2
BUMPER	B7
CARRIER	C1
CONTROLLER 1	C5
CONTROLLER 2	C6
ELECTRIC MOTOR	C4
ELECTRICAL 1	C7-8
FRAME	A6
FRONT SUSPENSION WHEEL	A7-8
OPTIONAL GAUGES	C9
OPTIONAL HUB CAPS	C10
OPTIONAL LIGHT KIT	D3
OPTIONAL LIGHT KIT	
STREAMLINE JU2	D4-5
OPTIONAL SUN ROOF JN3	D1
OPTIONAL SUN ROOF JN6	D2
OPTIONAL WINDSHIELD JN3	C11
OPTIONAL WINDSHIELD JN6	C12
REAR ARM SUSPENSION	A5
REAR AXLE MOUNT WHEEL	B6
SEAT	C2-3
STEERING	A9
TRANSAXLE 1	B4-5
~MODELS IN THIS CATALOG	D6



NOTE A: Wire Harness JN8-H2590-01-00 to be used with Receptacle JF3-86181-00-00.

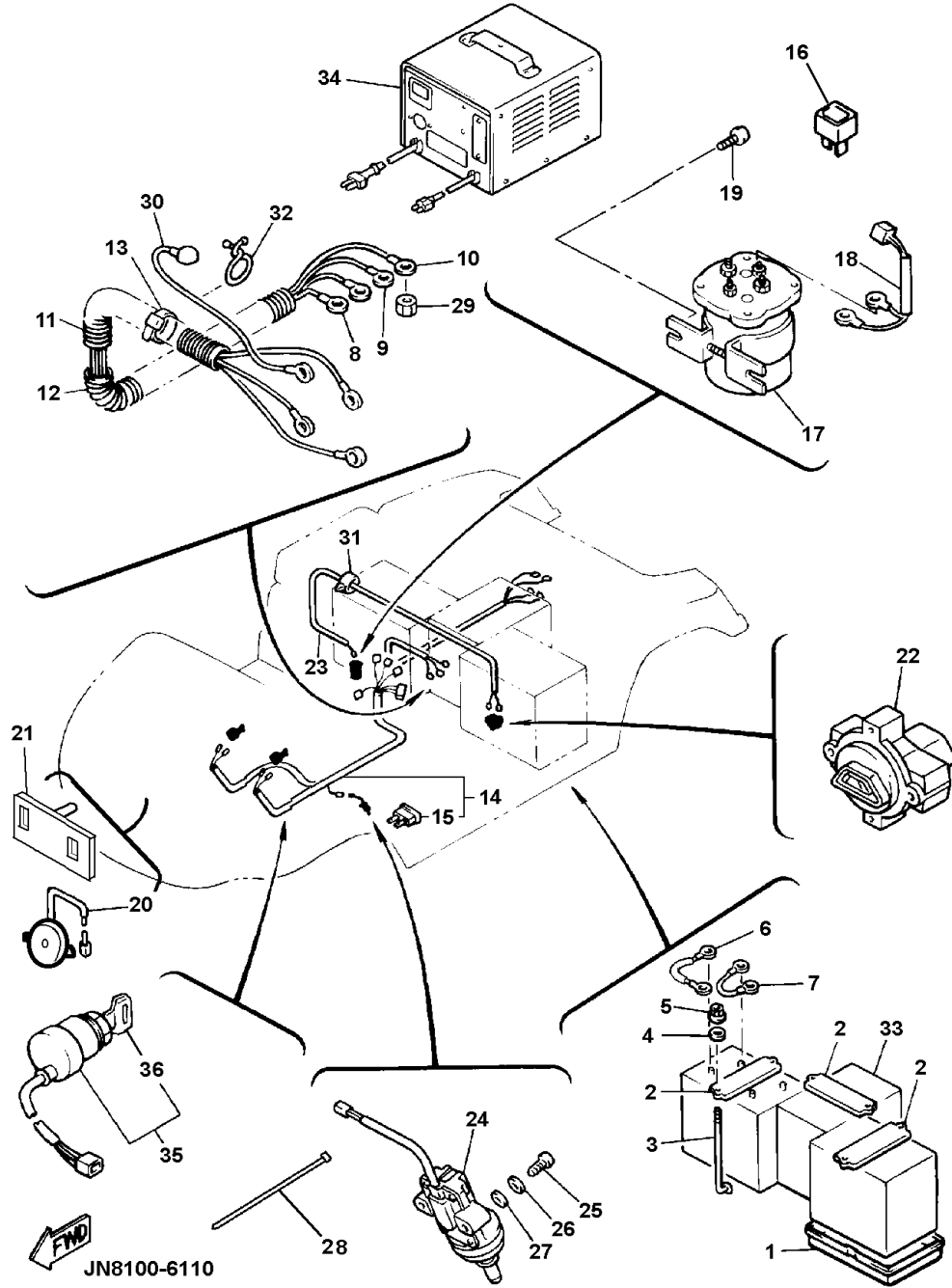
CONTINUED ON NEXT FRAME ►

# ELECTRICAL 1

Ref. No.	Part Number	Description	Qty	Remarks
28	90464-31827-00	CLAMP	4	
29	JG6-H1872-00-00	NUT, SPECIAL	4	
30	JN8-H6527-00-00	WIRE, 7	1	
31	90464-25826-00	CLAMP	4	
32	90464-23041-00	CLAMP	2	
33	JN8-H2110-B0-00	BATTERY, 6V, BCI GC-2	6	OBTAIN LOCALLY
34	JN4-H2107-00-00	CHARGER, BATTERY, 36V	1	
35	JN8-82510-02-00	MAIN SWITCH	1	
	JN8-82510-10-00	MAIN SWITCH, RANDOM KEY	1	AP
36	J44-82511-00-00	KEY, MAIN SWITCH	1	FOR STD SWITCH

## CONTENTS

ACCELERATOR	B3
BODY 1	B8-9
BODY 2	B10-11
BODY FITTING	B12
BRAKE 1	A10-12
BRAKE 2	B1
BRAKE 3	B2
BUMPER	B7
CARRIER	C1
CONTROLLER 1	C5
CONTROLLER 2	C6
ELECTRIC MOTOR	C4
ELECTRICAL 1	C7-8
FRAME	A6
FRONT SUSPENSION WHEEL	A7-8
OPTIONAL GAUGES	C9
OPTIONAL HUB CAPS	C10
OPTIONAL LIGHT KIT	D3
OPTIONAL LIGHT KIT STREAMLINE JU2	D4-5
OPTIONAL SUN ROOF JN3	D1
OPTIONAL SUN ROOF JN6	D2
OPTIONAL WINDSHIELD JN3	C11
OPTIONAL WINDSHIELD JN6	C12
REAR ARM SUSPENSION	A5
REAR AXLE MOUNT WHEEL	B6
SEAT	C2-3
STEERING	A9
TRANSAXLE 1	B4-5
-MODELS IN THIS CATALOG	D6

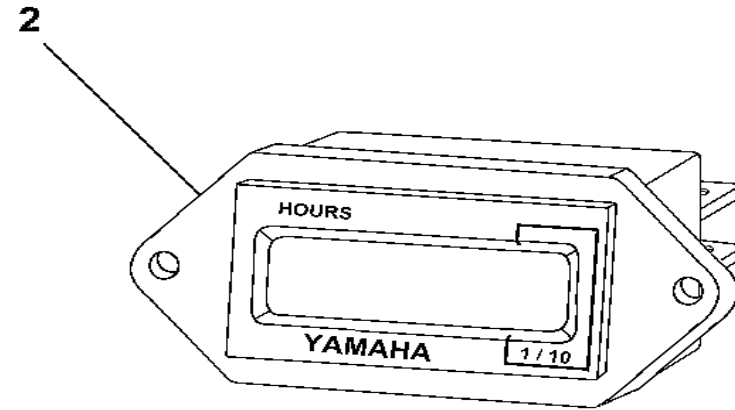
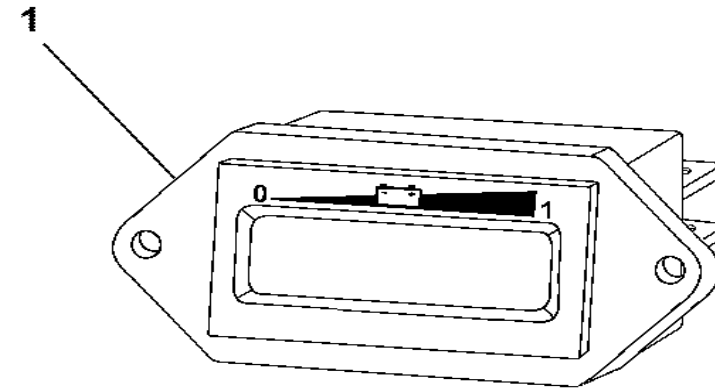


NOTE A: Wire Harness JN8-H2590-01-00 to be used with Receptacle JF3-86181-00-00.



# OPTIONAL GAUGES

Ref. No.	Part Number	Description	Qty	Remarks
1	JN8-H351C-00-00	BATTERY ENERGY GAUGE ..	1	
2	JN6-H351C-00-00	HOUR GAUGE .....	1	



NOTE A:  
Includes mounting screws and terminal connectors.



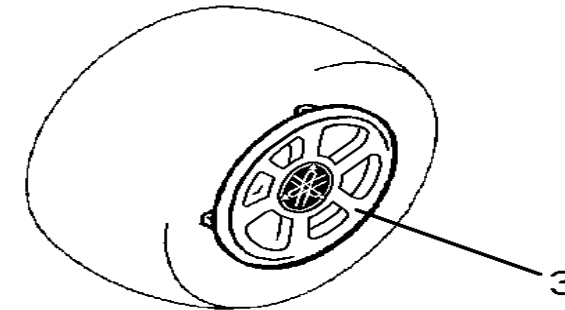
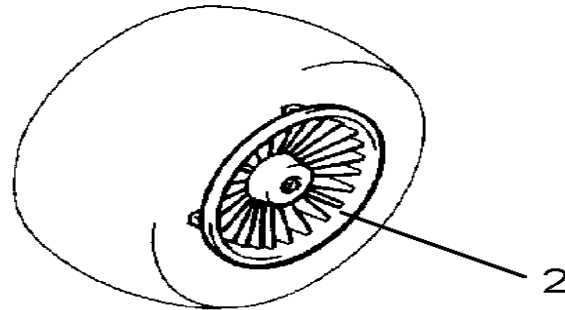
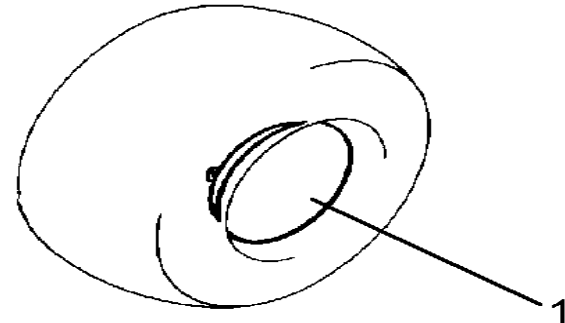
JN8100-1010

## CONTENTS

ACCELERATOR	B3
BODY 1	B8-9
BODY 2	B10-11
BODY FITTING	B12
BRAKE 1	A10-12
BRAKE 2	B1
BRAKE 3	B2
BUMPER	B7
CARRIER	C1
CONTROLLER 1	C5
CONTROLLER 2	C6
ELECTRIC MOTOR	C4
ELECTRICAL 1	C7-8
FRAME	A6
FRONT SUSPENSION WHEEL	A7-8
OPTIONAL GAUGES	C9
OPTIONAL HUB CAPS	C10
OPTIONAL LIGHT KIT	D3
OPTIONAL LIGHT KIT	
STREAMLINE JU2	D4-5
OPTIONAL SUN ROOF JN3	D1
OPTIONAL SUN ROOF JN6	D2
OPTIONAL WINDSHIELD JN3	C11
OPTIONAL WINDSHIELD JN6	C12
REAR ARM SUSPENSION	A5
REAR AXLE MOUNT WHEEL	B6
SEAT	C2-3
STEERING	A9
TRANSAXLE 1	B4-5
-MODELS IN THIS CATALOG	D6

# OPTIONAL HUB CAPS

Ref. No.	Part Number	Description	Qty	Remarks
1	JG5-F512L-00-00	HUB CAP, PLAIN .....	4	COMES WITH CLIPS
2	JG5-F512M-00-00	HUB CAP, MAG-STYLE .....	4	COMES WITH CLIPS
3	JN6-HUBCP-TF-00	HUB-CAP, TUNING FORK ....	4	COMES WITH CLIPS



## CONTENTS

ACCELERATOR	B3
BODY 1	B8-9
BODY 2	B10-11
BODY FITTING	B12
BRAKE 1	A10-12
BRAKE 2	B1
BRAKE 3	B2
BUMPER	B7
CARRIER	C1
CONTROLLER 1	C5
CONTROLLER 2	C6
ELECTRIC MOTOR	C4
ELECTRICAL 1	C7-8
FRAME	A6
FRONT SUSPENSION WHEEL	A7-8
OPTIONAL GAUGES	C9
OPTIONAL HUB CAPS	C10
OPTIONAL LIGHT KIT	D3
OPTIONAL LIGHT KIT	D3
STREAMLINE JU2	D4-5
OPTIONAL SUN ROOF JN3	D1
OPTIONAL SUN ROOF JN6	D2
OPTIONAL WINDSHIELD JN3	C11
OPTIONAL WINDSHIELD JN6	C12
REAR ARM SUSPENSION	A5
REAR AXLE MOUNT WHEEL	B6
SEAT	C2-3
STEERING	A9
TRANSAXLE 1	B4-5
-MODELS IN THIS CATALOG	D6

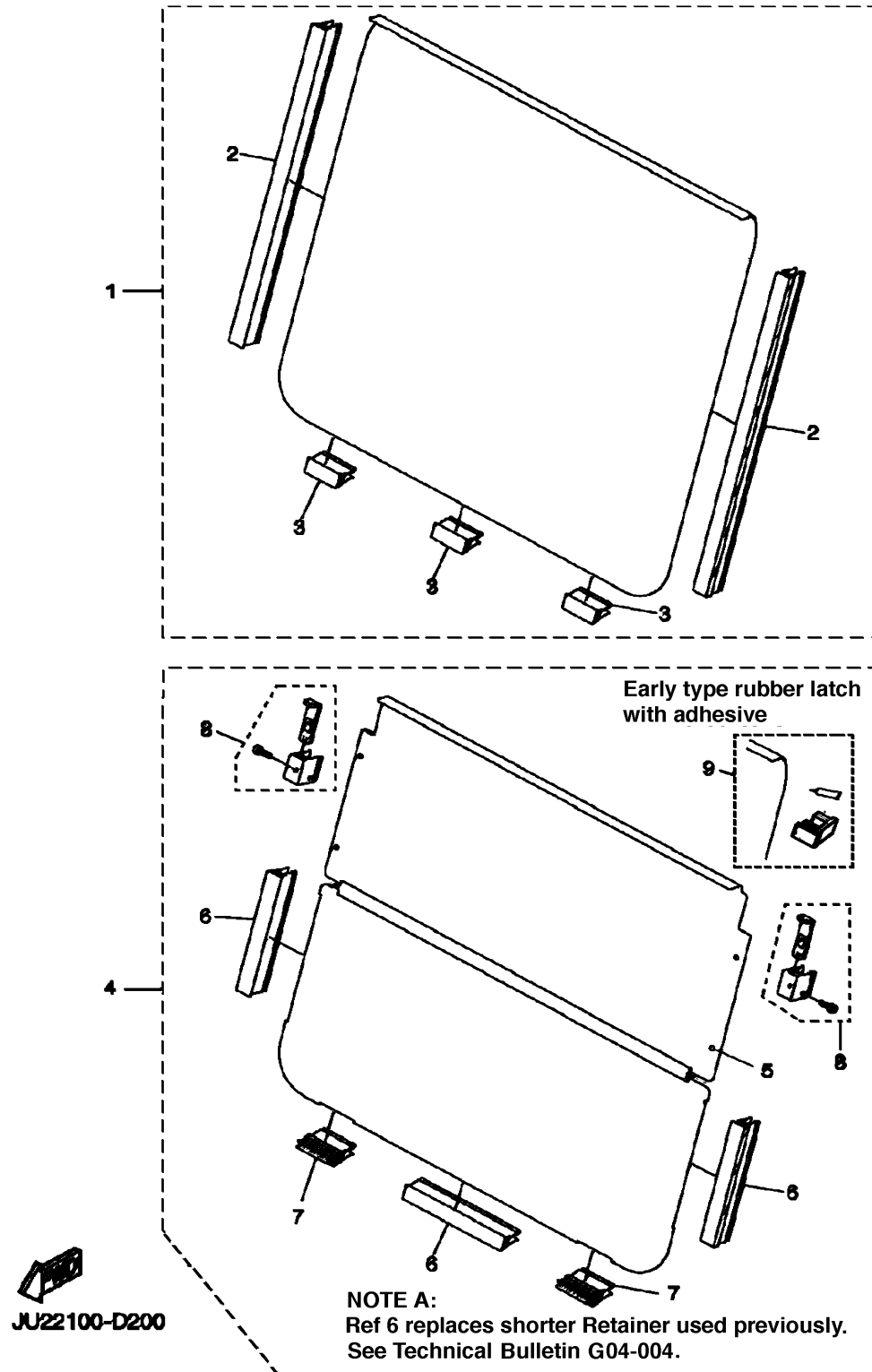


# OPTIONAL WINDSHIELD JN3

Ref. No.	Part Number	Description	Qty	Remarks
1	JN3-K7200-01-00	WINDSHIELD ASSEMBLY (ONE PIECE, CLEAR)	1	UR JN3 SUNTOP REQUIRED
2	JN3-K838C-00-00	. HOLDER SHIELD	2	29 INCHES
3	JU0-K722A-01-00	. FASTENER	3	
4	JN3-K7200-22-00	WINDSHIELD ASSEMBLY (HINGED, CLEAR)	1	UR JN3 SUNTOP REQUIRED
	JN3-K7200-32-00	WINDSHIELD ASSEMBLY (HINGED, TINTED)	1	UR JN3 SUNTOP REQUIRED
5	JU0-K7238-00-00	. DAMPER, WINDSHIELD	6	
6	JU0-K838A-09-00	. RETAINER 2	3	SEE NOTE A
7	JU0-K7222-01-00	. BRACEKT, WINDSHIELD	2	
8	JU0-K722E-00-00	. LATCH, SLIDE	1	
9	ACC-CCGLU-ES-ET	HINGED WINDOW MTG BRACEKT	1	UR PREVIOUS DESIGN RUBBER LATCH WITH GLUE

## CONTENTS

ACCELERATOR	B3
BODY 1	B8-9
BODY 2	B10-11
BODY FITTING	B12
BRAKE 1	A10-12
BRAKE 2	B1
BRAKE 3	B2
BUMPER	B7
CARRIER	C1
CONTROLLER 1	C5
CONTROLLER 2	C6
ELECTRIC MOTOR	C4
ELECTRICAL 1	C7-8
FRAME	A6
FRONT SUSPENSION WHEEL	A7-8
OPTIONAL GAUGES	C9
OPTIONAL HUB CAPS	C10
OPTIONAL LIGHT KIT	D3
OPTIONAL LIGHT KIT STREAMLINE JU2	D4-5
OPTIONAL SUN ROOF JN3	D1
OPTIONAL SUN ROOF JN6	D2
OPTIONAL WINDSHIELD JN3	C11
OPTIONAL WINDSHIELD JN6	C12
REAR ARM SUSPENSION	A5
REAR AXLE MOUNT WHEEL	B6
SEAT	C2-3
STEERING	A9
TRANSAXLE 1	B4-5
-MODELS IN THIS CATALOG	D6

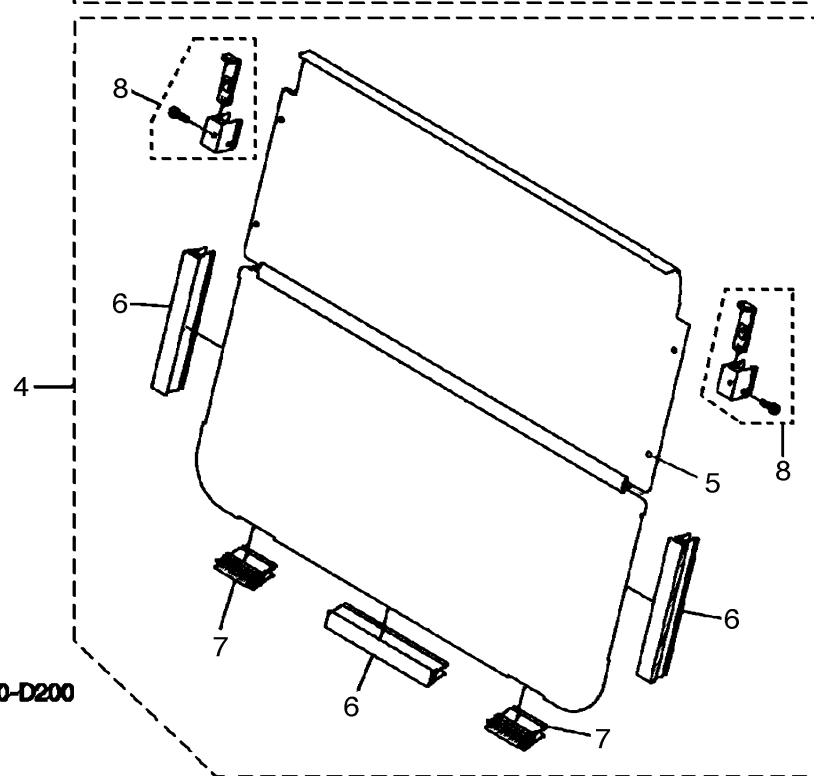
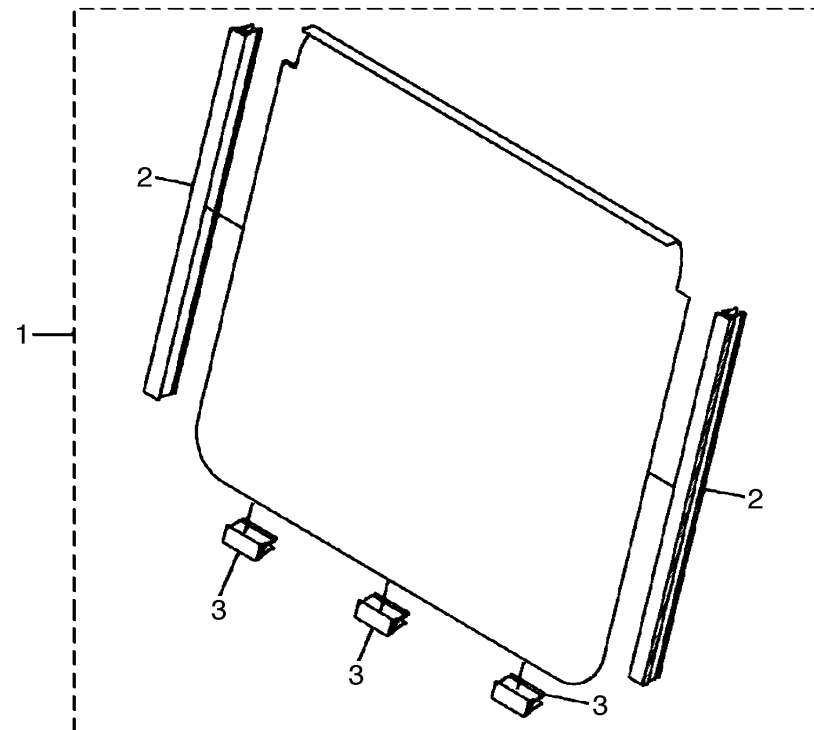


# OPTIONAL WINDSHIELD JN6

Ref. No.	Part Number	Description	Qty	Remarks
1	JN6-K7200-00-00	WINDSHIELD, CLEAR 1 PIECE	1	UR, JN6 SUNTOP
2	JU0-K838C-00-00	. HOLDER SHIELD .....	2	29 INCHES
3	JU0-K838A-10-00	. FASTNER, 2 .....	3	
4	JN6-K7200-22-00	WINDSHIELD ASSEMBLY (HINGED, CLEAR) .....	1	UR, JN6 SUNTOP
	JN6-K7200-32-00	WINDSHIELD ASSEMBLY (HINGED, TINTED) .....	1	UR, JN6 SUNTOP
5	JU0-K7238-00-00	. DAMPER, WINDSHIELD .....	4	
6	JU0-K838B-00-00	. RETAINER 2 .....	3	10 INCHES
7	JU0-K722-01-00	. BRACKET, WINDSHIELD .....	2	2 INCHES
8	JU0-K722E-00-00	. LATCH, SLIDE .....	1	

## CONTENTS

ACCELERATOR	B3
BODY 1	B8-9
BODY 2	B10-11
BODY FITTING	B12
BRAKE 1	A10-12
BRAKE 2	B1
BRAKE 3	B2
BUMPER	B7
CARRIER	C1
CONTROLLER 1	C5
CONTROLLER 2	C6
ELECTRIC MOTOR	C4
ELECTRICAL 1	C7-8
FRAME	A6
FRONT SUSPENSION WHEEL	A7-8
OPTIONAL GAUGES	C9
OPTIONAL HUB CAPS	C10
OPTIONAL LIGHT KIT	D3
OPTIONAL LIGHT KIT STREAMLINE JU2	D4-5
OPTIONAL SUN ROOF JN3	D1
OPTIONAL SUN ROOF JN6	D2
OPTIONAL WINDSHIELD JN3	C11
OPTIONAL WINDSHIELD JN6	C12
REAR ARM SUSPENSION	A5
REAR AXLE MOUNT WHEEL	B6
SEAT	C2-3
STEERING	A9
TRANSAXLE 1	B4-5
-MODELS IN THIS CATALOG	D6

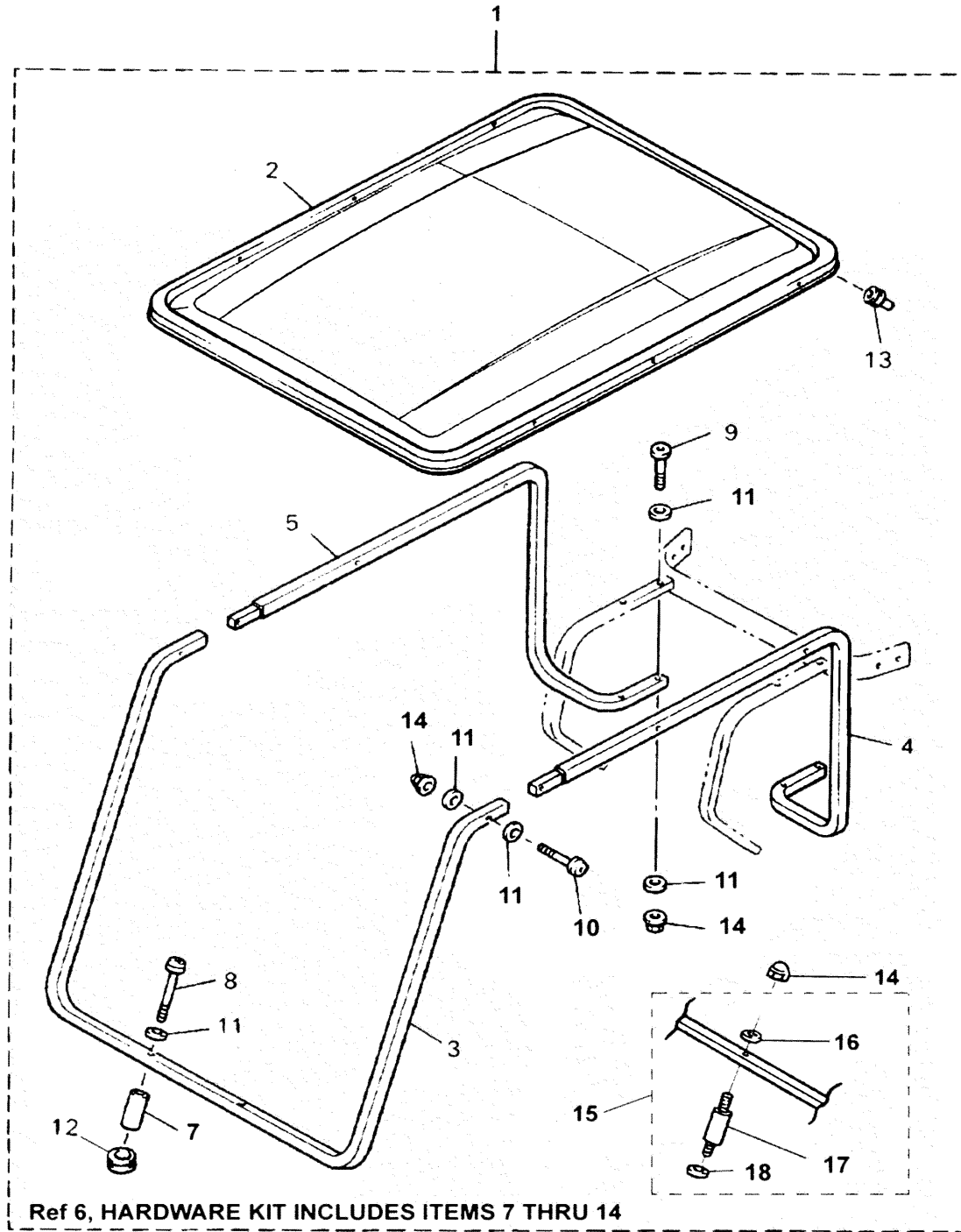



# OPTIONAL SUN ROOF JN3

Ref. No.	Part Number	Description	Qty	Remarks
1	JN3-K8310-10-00	SUN ROOF ASSEMBLY .....	1	
2	JN3-K8314-00-00	. COVER, SUNROOF .....	1	
3	JN3-K8312-00-00	. SUPPORT, ROOF 1 .....	1	
4	JN3-K8313-00-00	. SUPPORT, ROOF 2 .....	1	
5	JN3-K831A-00-00	. SUPPORT, ROOF 3 .....	1	
6	ABA-JN398-99-00	. HARDWARE, SUNTOP .....	1	
7	90387-09826-00	.. COLLAR .....	2	
8	90101-08862-00	.. BOLT .....	2	
9	90101-22864-00	.. BOLT .....	4	
10	90101-22863-00	.. BOLT .....	6	
11	90201-088E5-00	.. WASHER, PLATE .....	24	
12	JN3-K832F-00-00	.. GROMMET, ROOF .....	2	
13	JN3-K832G-00-00	.. GROMMET, ROOF .....	2	
14	90185-12835-00	.. NUT, SELF-LOCK .....	10	
15	JN6-K834A-02-KT	HOLDER, RENFORCEMENT ..	1	UR AP
16	90201-098J4-00	. WASHER, PLAIN .....	2	
17	JN6-K834A-02-00	HOLDER, REINFORCEMENT ..	2	
18	9299R-08600-00	. WASHER, PLATE .....	2	

## CONTENTS

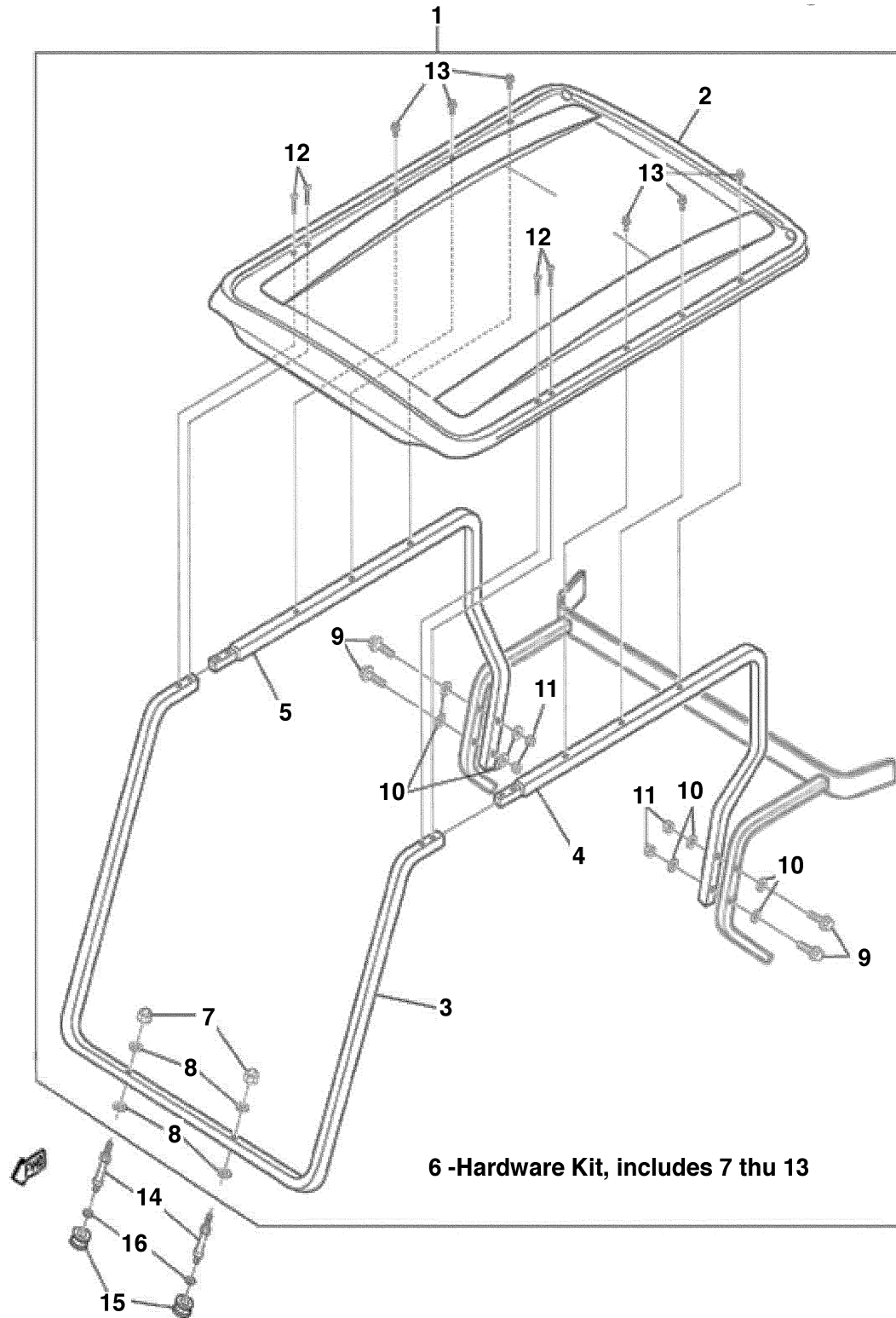
ACCELERATOR	B3
BODY 1	B8-9
BODY 2	B10-11
BODY FITTING	B12
BRAKE 1	A10-12
BRAKE 2	B1
BRAKE 3	B2
BUMPER	B7
CARRIER	C1
CONTROLLER 1	C5
CONTROLLER 2	C6
ELECTRIC MOTOR	C4
ELECTRICAL 1	C7-8
FRAME	A6
FRONT SUSPENSION WHEEL	A7-8
OPTIONAL GAUGES	C9
OPTIONAL HUB CAPS	C10
OPTIONAL LIGHT KIT	D3
OPTIONAL LIGHT KIT	
STREAMLINE JU2	D4-5
OPTIONAL SUN ROOF JN3	D1
OPTIONAL SUN ROOF JN6	D2
OPTIONAL WINDSHIELD JN3	C11
OPTIONAL WINDSHIELD JN6	C12
REAR ARM SUSPENSION	A5
REAR AXLE MOUNT WHEEL	B6
SEAT	C2-3
STEERING	A9
TRANSAXLE 1	B4-5
-MODELS IN THIS CATALOG	D6



 JN3100-5371

D1

# OPTIONAL SUN ROOF JN6

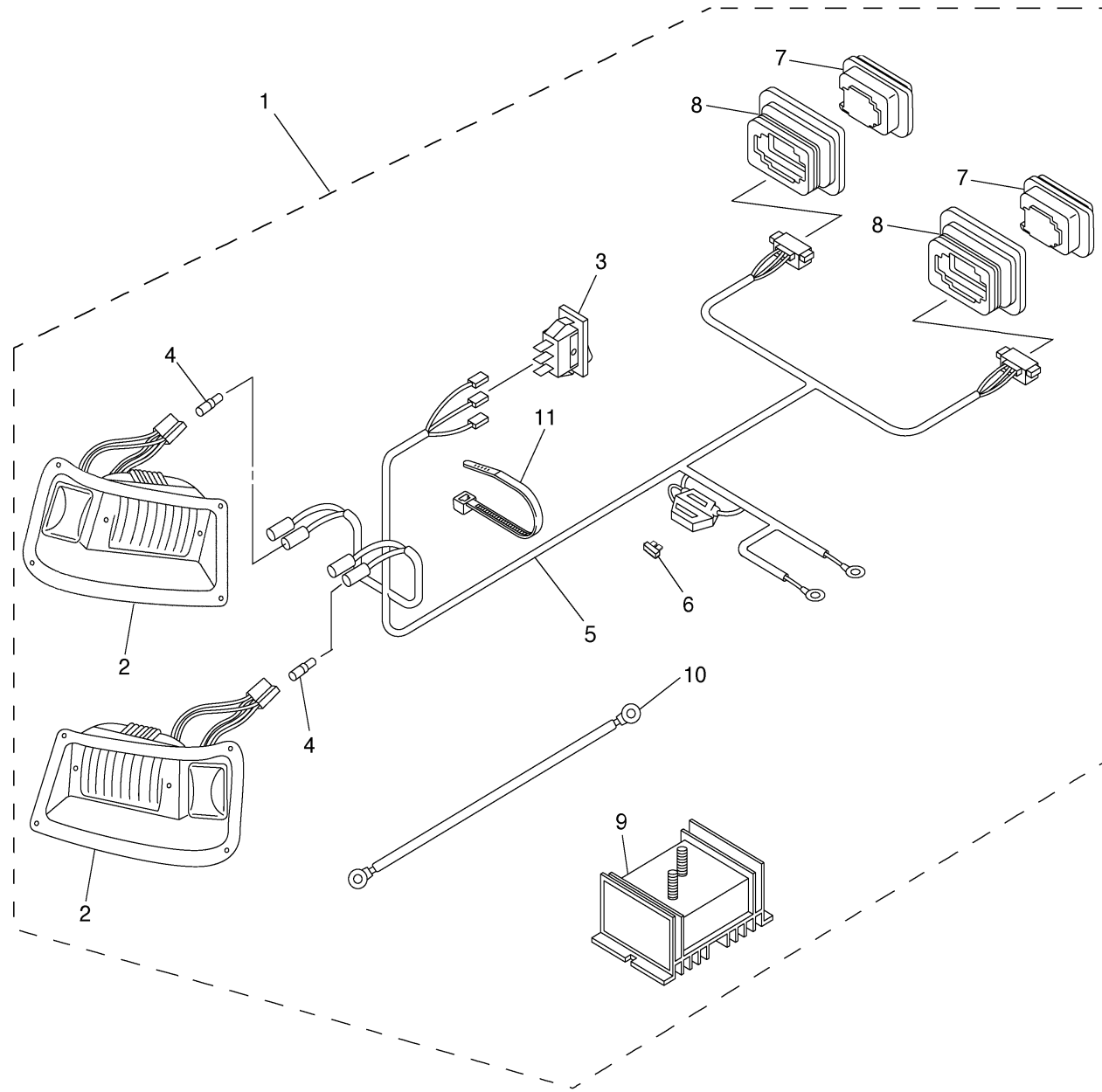


Ref. No.	Part Number	Description	Qty	Remarks
1	JN6-K8310-12-00	SUNTOP KIT .....	1	
2	JN6-K8314-00-00	. COVER, SUN ROOF .....	1	
3	JN6-K8312-00-00	. SUPPORT, SUN ROOF 1 .....	1	FRONT
4	JN6-K8313-12-00	. SUPPORT, SUN ROOF 2 .....	1	LH SIDE
5	JN6-K831A-12-00	. SUPPORT, SUN ROOF 3 .....	1	RH SIDE
6	ABA-JN6K8-31-00	. HARDWARE KIT SUNTOP ...	1	
7	90176-08801-00	.. NUT, CAP .....	2	
8	90201-098J4-00	.. WASHER, PLAIN .....	4	
9	90101-22864-00	.. BOLT .....	4	70MM LONG (NOT AVAILABLE SEPARTELY)
10	90201-088T2-00	.. WASHER, PLAIN .....	8	
11	90110-12835-00	.. NUT, SELF-LOCK .....	4	(NOT AVAILABLE SEPARTELY)
12	90110-06800-00	.. SCREW .....	4	16MM LONG (NOT AVAILABLE SEPARTELY)
13	90269-08800-00	.. RIVET .....	6	WHITE PLASTIC RIVET
14	JN6-K834A-02-00	HOLDER, REINFORCEMENT ..	2	UR, NOT INCLUDED
15	JN3-K832F-00-00	GROMMET, ROOF .....	2	UR, NOT INCLUDED
16	9299R-08600-00	WASHER, PLATE .....	2	UR, NOT INCLUDED

## CONTENTS

ACCELERATOR	B3
BODY 1	B8-9
BODY 2	B10-11
BODY FITTING	B12
BRAKE 1	A10-12
BRAKE 2	B1
BRAKE 3	B2
BUMPER	B7
CARRIER	C1
CONTROLLER 1	C5
CONTROLLER 2	C6
ELECTRIC MOTOR	C4
ELECTRICAL 1	C7-8
FRAME	A6
FRONT SUSPENSION WHEEL	A7-8
OPTIONAL GAUGES	C9
OPTIONAL HUB CAPS	C10
OPTIONAL LIGHT KIT	D3
OPTIONAL LIGHT KIT STREAMLINE JU2	D4-5
OPTIONAL SUN ROOF JN3	D1
OPTIONAL SUN ROOF JN6	D2
OPTIONAL WINDSHIELD JN3	C11
OPTIONAL WINDSHIELD JN6	C12
REAR ARM SUSPENSION	A5
REAR AXLE MOUNT WHEEL	B6
SEAT	C2-3
STEERING	A9
TRANSAXLE 1	B4-5
-MODELS IN THIS CATALOG	D6

# OPTIONAL LIGHT KIT



Ref. No.	Part Number	Description	Qty	Remarks
1	JN1-H430A-20-00	HEADLIGHT UNIT ASSEMBLY .	1	
2	JN3-H4303-00-00	. HEAD LIGHT UNIT . . . . .	1	SOLD AS R & L SET
3	JN3-H3976-20-00	. SWITCH, HANDLE 1 . . . . .	1	
4	9E212-10401-00	. TERMINAL . . . . .	2	
5	JR1-H4159-00-00	. CORD, HEADLIGHT . . . . .	1	
6	42X-82151-00-00	. . FUSE, (10A-BL) . . . . .	1	
7	JN3-H4700-00-00	. TAILLIGHT ASSY . . . . .	2	
8	JN3-H4718-00-00	. GROMMET . . . . .	2	
9	JR1-H1910-00-00	. VOLTAGE REGULATOR ASSY	1	
10	JR1-H4149-00-00	. WIRE, LEAD 2 . . . . .	1	
11	GCA-JU012-51-00	. CLAMP . . . . .	20	

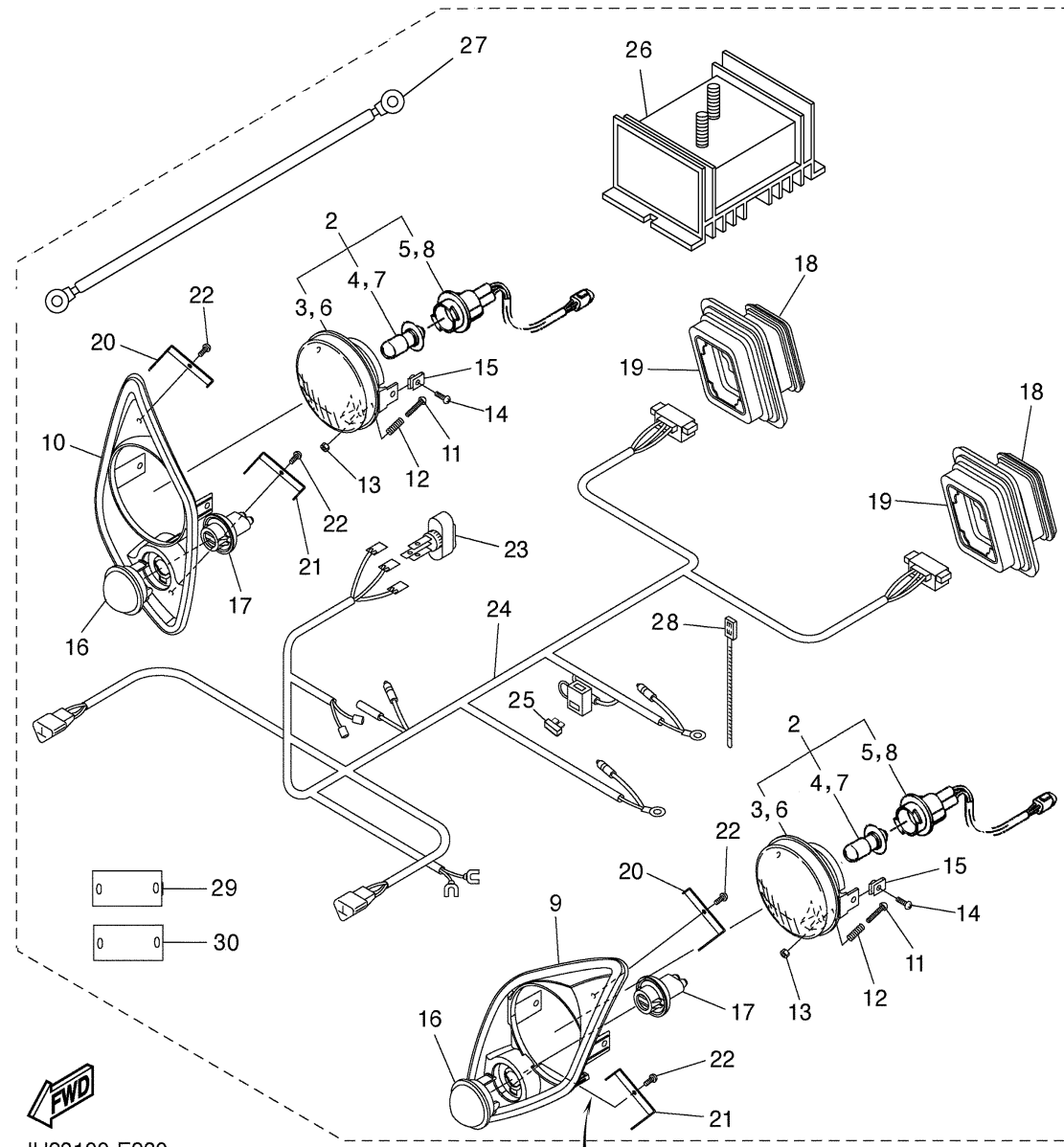
## CONTENTS

ACCELERATOR	B3
BODY 1	B8-9
BODY 2	B10-11
BODY FITTING	B12
BRAKE 1	A10-12
BRAKE 2	B1
BRAKE 3	B2
BUMPER	B7
CARRIER	C1
CONTROLLER 1	C5
CONTROLLER 2	C6
ELECTRIC MOTOR	C4
ELECTRICAL 1	C7-8
FRAME	A6
FRONT SUSPENSION WHEEL	A7-8
OPTIONAL GAUGES	C9
OPTIONAL HUB CAPS	C10
OPTIONAL LIGHT KIT	D3
OPTIONAL LIGHT KIT STREAMLINE JU2	D4-5
OPTIONAL SUN ROOF JN3	D1
OPTIONAL SUN ROOF JN6	D2
OPTIONAL WINDSHIELD JN3	C11
OPTIONAL WINDSHIELD JN6	C12
REAR ARM SUSPENSION	A5
REAR AXLE MOUNT WHEEL	B6
SEAT	C2-3
STEERING	A9
TRANSAXLE 1	B4-5
-MODELS IN THIS CATALOG	D6



JU23100-E230

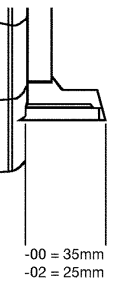
# OPTIONAL LIGHT KIT STREAMLINE JU2



JU23100-E230

**NOTE A:** To order the correct service parts read the part number on the back of the Lens Assembly (5FU-H4320-00-00 or 5FU-H4320-10-00).

**NOTE B:** To determine which Holder (-00 or -02) you are working with, measure the Headlight Lens Adjusting Screw boss on the back of the Holder.



Ref. No.	Part Number	Description	Qty	Remarks
1	JU2-H430A-01-00	HEADLIGHT UNIT ASSY	1	
2	5FU-H4300-00-00	. HEADLIGHT ASSY	2	UR, SEE NOTE A
	5FU-H4300-10-00	. HEADLIGHT ASSY	2	UR, SEE NOTE A
3	5FU-H4320-00-00	.. LENS ASSY	2	UR, USE WITH -00 ASSY
4	5FU-H4314-00-00	.. BULB, HEADLIGHT (12V-3030W)	2	UR, USE WITH -00 LENS
5	5FU-H4340-00-00	.. SOCKET CORD ASSY 1	2	UR, USE WITH -00 BULB
6	5FU-H4320-10-00	.. LENS ASSY	2	UR, USE WITH -10 ASSY
7	5FU-H4314-10-00	.. BULB, HEADLIGHT (12V-3030W)	2	UR, USE WITH -10 LENS
8	5FU-H4340-10-00	.. SOCKET CORD ASSY 1	2	UR, USE WITH -10 BULB
9	JU7-H411T-00-00	. HOLDER, 1	1	USE WITH 15MM SPRING, SEE NOTE B
	JU7-H411T-02-00	. HOLDER, 1	1	USE WITH 34MM SPRING, SEE NOTE B
10	JU7-H411U-00-00	. HOLDER, 2	1	USE WITH 15MM SPRING, SEE NOTE B
	JU7-H411U-02-00	. HOLDER, 2	1	USE WITH 34MM SPRING, SEE NOTE B
11	98507-03540-00	. SCREW, PAN HEAD	2	
12	2GU-84332-00-00	. SPRING, SCREW	2	UR, GOLD L=34MM (FOR -02 HOLDER WITH 25MM BOSS)
	90501-10060-00	. SPRING, SCREW	2	UR, BLACK L=15MM (FOR -00 HOLDER WITH 35MM BOSS)
13	2GU-84334-00-00	. NUT, ADJUSTING	2	
14	90150-05802-00	. SCREW, ROUND HEAD	4	
15	90183-05008-00	. NUT, SIGNAL LAMP	2	

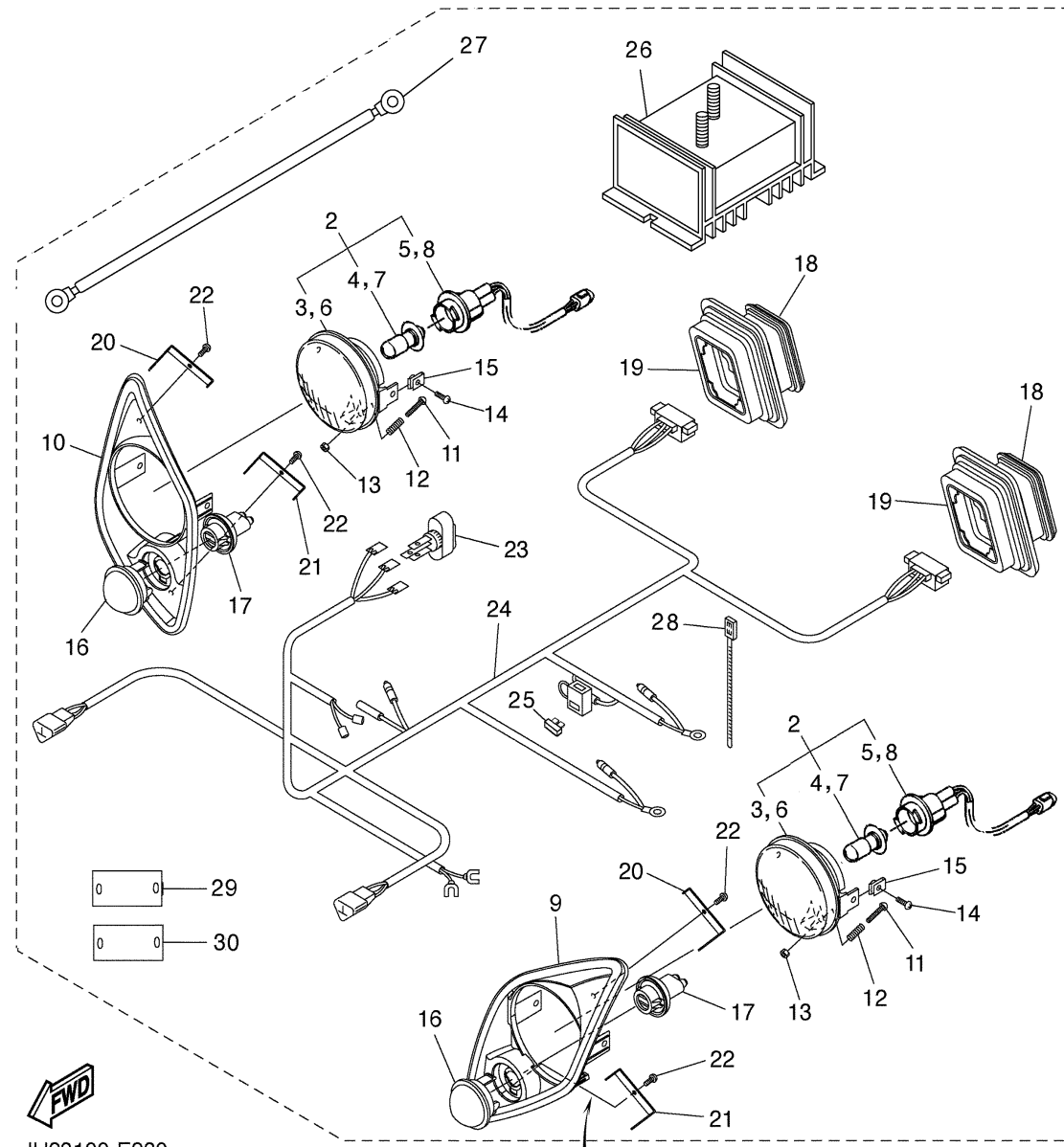
## CONTENTS

ACCELERATOR	B3
BODY 1	B8-9
BODY 2	B10-11
BODY FITTING	B12
BRAKE 1	A10-12
BRAKE 2	B1
BRAKE 3	B2
BUMPER	B7
CARRIER	C1
CONTROLLER 1	C5
CONTROLLER 2	C6
ELECTRIC MOTOR	C4
ELECTRICAL 1	C7-8
FRAME	A6
FRONT SUSPENSION WHEEL	A7-8
OPTIONAL GAUGES	C9
OPTIONAL HUB CAPS	C10
OPTIONAL LIGHT KIT	D3
OPTIONAL LIGHT KIT STREAMLINE JU2	D4-5
OPTIONAL SUN ROOF JN3	D1
OPTIONAL SUN ROOF JN6	D2
OPTIONAL WINDSHIELD JN3	C11
OPTIONAL WINDSHIELD JN6	C12
REAR ARM SUSPENSION	A5
REAR AXLE MOUNT WHEEL	B6
SEAT	C2-3
STEERING	A9
TRANSAXLE 1	B4-5
-MODELS IN THIS CATALOG	D6

CONTINUED ON NEXT FRAME ➤



# OPTIONAL LIGHT KIT STREAMLINE JU2



JU23100-E230

**NOTE A:** To order the correct service parts read the part number on the back of the Lens Assembly (5FU-H4320-00-00 or 5FU-H4320-10-00).

**NOTE B:** To determine which Holder (-00 or -02) you are working with, measure the Headlight Lens Adjusting Screw boss on the back of the Holder.

-00 = 35mm  
-02 = 25mm

Ref. No.	Part Number	Description	Qty	Remarks
16	JU7-H5415-00-00	. MARK, SIGNAL LAMP	2	
17	JU7-H3547-00-00	. COVER, SOCKET	2	
18	JU5-H4700-00-00	. TAILLIGHT ASSY	2	
19	JU5-H4718-00-00	. GROMMET	2	
20	JU7-H4118-01-00	. STAY, HEADLIGHT 1	2	
21	JU7-H4119-01-00	. STAY, HEADLIGHT 2	2	
22	97707-40112-00	. SCREW, TAPPING	4	
23	JU0-H3976-00-00	. SCREW, HANDLE 1	1	
24	JU0-H4159-00-00	. CORD, HEADLIGHT	1	
25	42X-82151-00-00	. FUSE, (10A-BL)	1	
26	JR1-H1910-00-00	. VOLTAGE REGULATOR ASSY	1	
27	JR1-H4149-00-00	. WIRE, LEAD 2	1	
28	GCA-JU-12-51-00	. CLAMP	20	
29	GCA-JU012-41-00	. REFLECTOR, AMBER	2	
30	GCA-JU012-42-00	. REFLECTOR, RED	2	

## CONTENTS

ACCELERATOR	B3
BODY 1	B8-9
BODY 2	B10-11
BODY FITTING	B12
BRAKE 1	A10-12
BRAKE 2	B1
BRAKE 3	B2
BUMPER	B7
CARRIER	C1
CONTROLLER 1	C5
CONTROLLER 2	C6
ELECTRIC MOTOR	C4
ELECTRICAL 1	C7-8
FRAME	A6
FRONT SUSPENSION WHEEL	A7-8
OPTIONAL GAUGES	C9
OPTIONAL HUB CAPS	C10
OPTIONAL LIGHT KIT	D3
OPTIONAL LIGHT KIT STREAMLINE JU2	D4-5
OPTIONAL SUN ROOF JN3	D1
OPTIONAL SUN ROOF JN6	D2
OPTIONAL WINDSHIELD JN3	C11
OPTIONAL WINDSHIELD JN6	C12
REAR ARM SUSPENSION	A5
REAR AXLE MOUNT WHEEL	B6
SEAT	C2-3
STEERING	A9
TRANSAXLE 1	B4-5
-MODELS IN THIS CATALOG	D6

## ~MODELS IN THIS CATALOG

**1996 G16EP (JN8)**  
**1997 G16ER (JN8)**  
**1998 G16ES (JN8)**  
**1999 G16ET (JN8)**  
**2000 G16EU (JN8)**  
**2001 G16EW (JN8)**  
**2002 G16EX (JN8)**

**STARTING FRAME: JN8-000101 and following**

**ALL THESE MODELS USE THIS SAME PARTS CATALOG.  
 BE SURE TO ORDER ONLY THOSE PARTS APPLICABLE  
 TO THE DESIRED MODEL.**

Ref. No.	Part Number	Description	Qty	Remarks
-------------	----------------	-------------	-----	---------

### CONTENTS

ACCELERATOR	B3
BODY 1	B8-9
BODY 2	B10-11
BODY FITTING	B12
BRAKE 1	A10-12
BRAKE 2	B1
BRAKE 3	B2
BUMPER	B7
CARRIER	C1
CONTROLLER 1	C5
CONTROLLER 2	C6
ELECTRIC MOTOR	C4
ELECTRICAL 1	C7-8
FRAME	A6
FRONT SUSPENSION WHEEL	A7-8
OPTIONAL GAUGES	C9
OPTIONAL HUB CAPS	C10
OPTIONAL LIGHT KIT	D3
OPTIONAL LIGHT KIT	D3
STREAMLINE JU2	D4-5
OPTIONAL SUN ROOF JN3	D1
OPTIONAL SUN ROOF JN6	D2
OPTIONAL WINDSHIELD JN3	C11
OPTIONAL WINDSHIELD JN6	C12
REAR ARM SUSPENSION	A5
REAR AXLE MOUNT WHEEL	B6
SEAT	C2-3
STEERING	A9
TRANSAXLE 1	B4-5
~MODELS IN THIS CATALOG	D6