

PARTS CATALOGUE GOLF CAR

- 1996 G19EP (JR1)**
- 1997 G19ER (JR1)**
- 1998 G19ES (JR1)**
- 1999 G19ET (JR1)**
- 2000 G19EU (JR1)**
- 2001 G19EW (JR1)**
- 2002 G19EX (JR1)**

STARTING FRAME: JR1-000101 and following
STARTING FRAME: JR1-100101 and following
STARTING FRAME: JR1-200101 and following
STARTING FRAME: JR1-300101 and following
STARTING FRAME: JR1-400101 and following
STARTING FRAME: JR1-500101 and following
STARTING FRAME: JR1-600101 and following

OWNERS LIT-19626-00-76
OWNERS LIT-19626-62-00 (4 LANGUAGES)
SERVICE LIT-19616-00-00

CONTENTS

ACCELERATOR	B2
BATTERY CHARGER	C8-9
BODY 1	B7-8
BODY 2	B9-10
BODY FITTING	B11
BRAKE 1	A10-11
BRAKE 2	A12
BRAKE 3	B1
BUMPER	B6
CARRIER	B12
CONTROLLER 1	C4-5
ELECTRIC MOTOR	C3
ELECTRICAL 1	C6-7
FRAME	A6
FRONT SUSPENSION WHEEL	A7-8
OPTIONAL GAUGES	D3
OPTIONAL HUB CAPS	C10
OPTIONAL LIGHT KIT	D4
OPTIONAL LIGHT KIT	D4
STREAMLINE JU2	D5-6
OPTIONAL SUN ROOF JN3	D1
OPTIONAL SUN ROOF JN6	D2
OPTIONAL WINDSHIELD JN3	C11
OPTIONAL WINDSHIELD JN6	C12
REAR ARM SUSPENSION	A5
REAR AXLE MOUNT WHEEL	B5
SEAT	C1-2
STEERING	A9
TRANSAXLE 1	B3-4
-MODELS IN THIS CATALOG	D7

CONTENTS

ACCELERATOR	B2
BATTERY CHARGER	C8-9
BODY 1	B7-8
BODY 2	B9-10
BODY FITTING	B11
BRAKE 1	A10-11
BRAKE 2	A12
BRAKE 3	B1
BUMPER	B6
CARRIER	B12
CONTROLLER 1	C4-5
ELECTRIC MOTOR	C3
ELECTRICAL 1	C6-7
FRAME	A6
FRONT SUSPENSION WHEEL	A7-8
OPTIONAL GAUGES	D3
OPTIONAL HUB CAPS	C10
OPTIONAL LIGHT KIT	D4
OPTIONAL LIGHT KIT	D5-6
STREAMLINE JU2	D1
OPTIONAL SUN ROOF JN3	D2
OPTIONAL SUN ROOF JN6	C11
OPTIONAL WINDSHIELD JN3	C12
OPTIONAL WINDSHIELD JN6	A5
REAR ARM SUSPENSION	B5
REAR AXLE MOUNT WHEEL	C1-2
SEAT	A9
STEERING	B3-4
TRANSAXLE 1	D7
-MODELS IN THIS CATALOG	

FOREWORD

-INTRODUCTION- To The Yamaha Parts Fiche

This parts fiche lists parts and sub-assemblies for the G19EP, ER, ES, ET, EU, EW and EX. When preparing a parts order, please refer to the most recently updated microfiche for this model.

THE YAMAHA PARTS FICHE

SYMBOLS

[]	Inactive, no longer available
U.R.	Use size (thickness) and/or number as required
U.N.	Use as many as you need
T	Number of teeth in a gear
V	Voltage for light bulbs
S	"S" type oil seal or "S" type circlip
SD,SO,SW	"SD", "SO", or "SW" type oil seal
E,R	"E" or "R" type circlip
F/No.	Frame No. (Applicable Machine No.)
L.M.	Locally made
O.L.	Obtain locally
AP	Alternate Part

SUPERSEDED PART NUMBERS

If part 'A' has been superseded by part 'B', the superseding part number "B" will appear in the part number listing with the superseded part number "A" appearing in parentheses immediately following the description.

EXAMPLE:

Ref. No.	Part No.	Description	Qty.
	(Part 'B')	(Part 'A')	
8	123-45678-00-00	CYLINDER (111-12345-00-00)	1

A part that has been supersede to a kit may be identified by a 99999-00000-00 part number appearing in the part number column. The old superseded part number will appear in parentheses immediately following the description. Listed directly below the 99999 part number will be those parts making up the kit. The description of the parts making up the kit will be preceded by a small black dot (.) and the description will be indented one letter space.

EXAMPLE:

Ref. No.	Part No.	Description	Qty.
8	99999-12345-00	CYLINDER (111-12345-00-00)	1
	234-56789-00-00	• HEAD, CYLINDER	1

SIZES

Except for steel balls (ball sizes are indicated in inches), all parts sizes are indicated in millimeters as in the following examples:

Hose (Rubber or Vinyl)	Inside Diameter - Length
O-Ring	Section Area - Inside Diameter
Washer, Shim, Collar	Inside Diameter - Outside Diameter Thickness (Length)

ASSEMBLIES AND COMPONENT PARTS

Assemblies and their component parts, are identified by an indentation of one letter space, and the description is preceded by a dot (.). If two main assemblies are listed, and have the same basic description (i.e.: left and right sides of the same assembly), one will immediately follow the other. If each of these main assemblies is made up of almost the same components, these component parts will be listed immediately under the second main assembly line and will be indicated, as noted above.

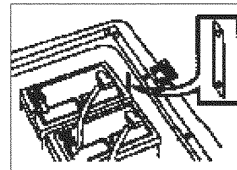
If the component is the same for both main assemblies, the quantity indicated will be the total required. If the component is not the same for both main assemblies, the quantity for each separate item will be listed separately.

EXAMPLE:

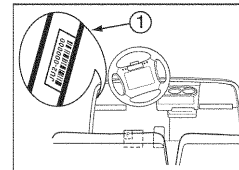
Description	Qty
CARBURETOR ASSY, LEFT	1
CARBURETOR ASSY, RIGHT	1
. JET, PILOT	2
. NOZZLE, MAIN	2
. LEVER, STARTER, LEFT	1
. LEVER, STARTER, RIGHT	1

APPLICABLE SERIAL NO.

(1) Engine Serial No.



(2) Frame Serial No.



CONTENTS

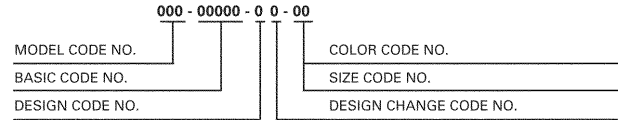
ACCELERATOR	B2
BATTERY CHARGER	C8-9
BODY 1	B7-8
BODY 2	B9-10
BODY FITTING	B11
BRAKE 1	A10-11
BRAKE 2	A12
BRAKE 3	B1
BUMPER	B6
CARRIER	B12
CONTROLLER 1	C4-5
ELECTRIC MOTOR	C3
ELECTRICAL 1	C6-7
FRAME	A6
FRONT SUSPENSION WHEEL	A7-8
OPTIONAL GAUGES	D3
OPTIONAL HUB CAPS	C10
OPTIONAL LIGHT KIT	D4
OPTIONAL LIGHT KIT	
STREAMLINE JU2	D5-6
OPTIONAL SUN ROOF JN3	D1
OPTIONAL SUN ROOF JN6	D2
OPTIONAL WINDSHIELD JN3	C11
OPTIONAL WINDSHIELD JN6	C12
REAR ARM SUSPENSION	A5
REAR AXLE MOUNT WHEEL	B5
SEAT	C1-2
STEERING	A9
TRANSAXLE 1	B3-4
-MODELS IN THIS CATALOG	D7

FOREWORD

THE YAMAHA PART NUMBER

The Yamaha part number consists of 12 digits. Each number represents a specific piece of information relating to a replacement part. The following is a guide for reading and interpreting the Yamaha part number.

BASIC PART NUMBER CONFIGURATION:



MODEL CODE NUMBER

FIRST THREE DIGITS . . . 000-00000-00-00

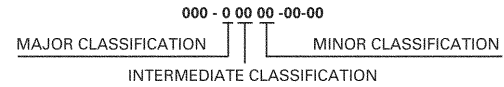
Every model in each Yamaha product line is assigned a model number to identify that particular model. All component parts are given the model code number relating to the model on which they were first used.

Example: 4DU-00000-00-00 identifies the XJ600SE.
3FA-00000-00-00 identifies the YFA1E.

BASIC CODE NUMBER

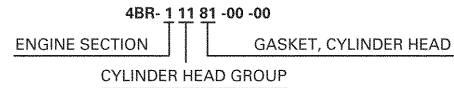
MIDDLE FIVE DIGITS . . . 000-00000-00-00

These "Middle Five Digits" indicate the type of part i.e., piston, rings, lower units, etc. The five digits are broken down as follows:



The "Major Classification" indicates the section to which the parts belong, i.e., engine, electrical etc. The "Intermediate" and "Minor Classifications" indicate more specific details.

Example:



DESIGN CODE NUMBER: 000-00000-00-00

The design code distinguishes like component parts from one another when specification differences are involved. For example, distinguishing a standard size piston ring from an oversized piston ring.

Example:

4BR-11610- 0 0-00 Standard Piston Ring Set for XJ600SE
4BR-11610- 2 0-00 Oversize Piston Ring Set for XJ600SE

DESIGN CHANGE CODE NUMBER: 000-00000-00-00

This code number is used to identify a difference between a new component part and old one when a new part is created by changing the old one.

Example: YFZ350E

2GU-11610-0 0 -00 PISTON RING SET, STD. - ORIGINAL
2GU-11610-0 1 -00 PISTON RING SET, STD. - FIRST DESIGN CHANGE

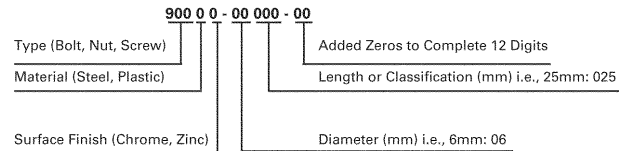
Only major changes to performance, durability, quality, appearance, cost or interchangeability will affect a part number change.

COLOR CODE & SIZE CODE NUMBER: 000-00000-00-00

When applicable, the last two digits of the part number identify:

1. Color Code: The painted color or type of plating or surface treatment used on certain parts.
2. Size Code: The last two digits are also used to show the size of parts (mm). Such as the thickness of shims or the size of pistons.

HARDWARE (Fastener) PART NUMBER CONFIGURATION:



TYPE:

A fastener part number always begins with the number "9" followed by either a 0, 1, 2, 3, 4, 5, 6, 7 or 8 designating one of eight major divisions within this group.

CONTENTS

ACCELERATOR	B2
BATTERY CHARGER	C8-9
BODY 1	B7-8
BODY 2	B9-10
BODY FITTING	B11
BRAKE 1	A10-11
BRAKE 2	A12
BRAKE 3	B1
BUMPER	B6
CARRIER	B12
CONTROLLER 1	C4-5
ELECTRIC MOTOR	C3
ELECTRICAL 1	C6-7
FRAME	A6
FRONT SUSPENSION WHEEL	A7-8
OPTIONAL GAUGES	D3
OPTIONAL HUB CAPS	C10
OPTIONAL LIGHT KIT	D4
OPTIONAL LIGHT KIT	D5-6
STREAMLINE JU2	
OPTIONAL SUN ROOF JN3	D1
OPTIONAL SUN ROOF JN6	D2
OPTIONAL WINDSHIELD JN3	C11
OPTIONAL WINDSHIELD JN6	C12
REAR ARM SUSPENSION	A5
REAR AXLE MOUNT WHEEL	B5
SEAT	C1-2
STEERING	A9
TRANSAXLE 1	B3-4
-MODELS IN THIS CATALOG	D7

FOREWORD

-INTRODUCTION- To The Yamaha Parts Fiche

This parts fiche lists parts and sub-assemblies for the G19EP, ER, ES, ET, EU, EW and EX. When preparing a parts order, please refer to the most recently updated microfiche for this model.

THE YAMAHA PARTS FICHE

SYMBOLS

[]	Inactive, no longer available
U.R.	Use size (thickness) and/or number as required
U.N.	Use as many as you need
T	Number of teeth in a gear
V	Voltage for light bulbs
S	"S" type oil seal or "S" type circlip
SD,SO,SW	"SD", "SO", or "SW" type oil seal
E,R	"E" or "R" type circlip
F/No.	Frame No. (Applicable Machine No.)
L.M.	Locally made
O.L.	Obtain locally
AP	Alternate Part

SUPERSEDED PART NUMBERS

If part 'A' has been superseded by part 'B', the superseding part number "B" will appear in the part number listing with the superseded part number "A" appearing in parentheses immediately following the description.

EXAMPLE:

Ref. No.	Part No.	Description	Qty.
	(Part 'B')	(Part 'A')	
8	123-45678-00-00	CYLINDER (111-12345-00-00)	1

A part that has been supersede to a kit may be identified by a 99999-00000-00 part number appearing in the part number column. The old superseded part number will appear in parentheses immediately following the description. Listed directly below the 99999 part number will be those parts making up the kit. The description of the parts making up the kit will be preceded by a small black dot (.) and the description will be indented one letter space.

EXAMPLE:

Ref. No.	Part No.	Description	Qty.
8	99999-12345-00	CYLINDER (111-12345-00-00)	1
	234-56789-00-00	• HEAD, CYLINDER	1

SIZES

Except for steel balls (ball sizes are indicated in inches), all parts sizes are indicated in millimeters as in the following examples:

Hose (Rubber or Vinyl)	Inside Diameter - Length
O-Ring	Section Area - Inside Diameter
Washer, Shim, Collar	Inside Diameter - Outside Diameter Thickness (Length)

ASSEMBLIES AND COMPONENT PARTS

Assemblies and their component parts, are identified by an indentation of one letter space, and the description is preceded by a dot (.). If two main assemblies are listed, and have the same basic description (i.e.: left and right sides of the same assembly), one will immediately follow the other. If each of these main assemblies is made up of almost the same components, these component parts will be listed immediately under the second main assembly line and will be indicated, as noted above.

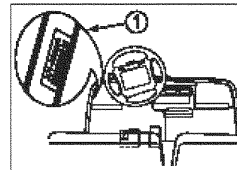
If the component is the same for both main assemblies, the quantity indicated will be the total required. If the component is not the same for both main assemblies, the quantity for each separate item will be listed separately.

EXAMPLE:

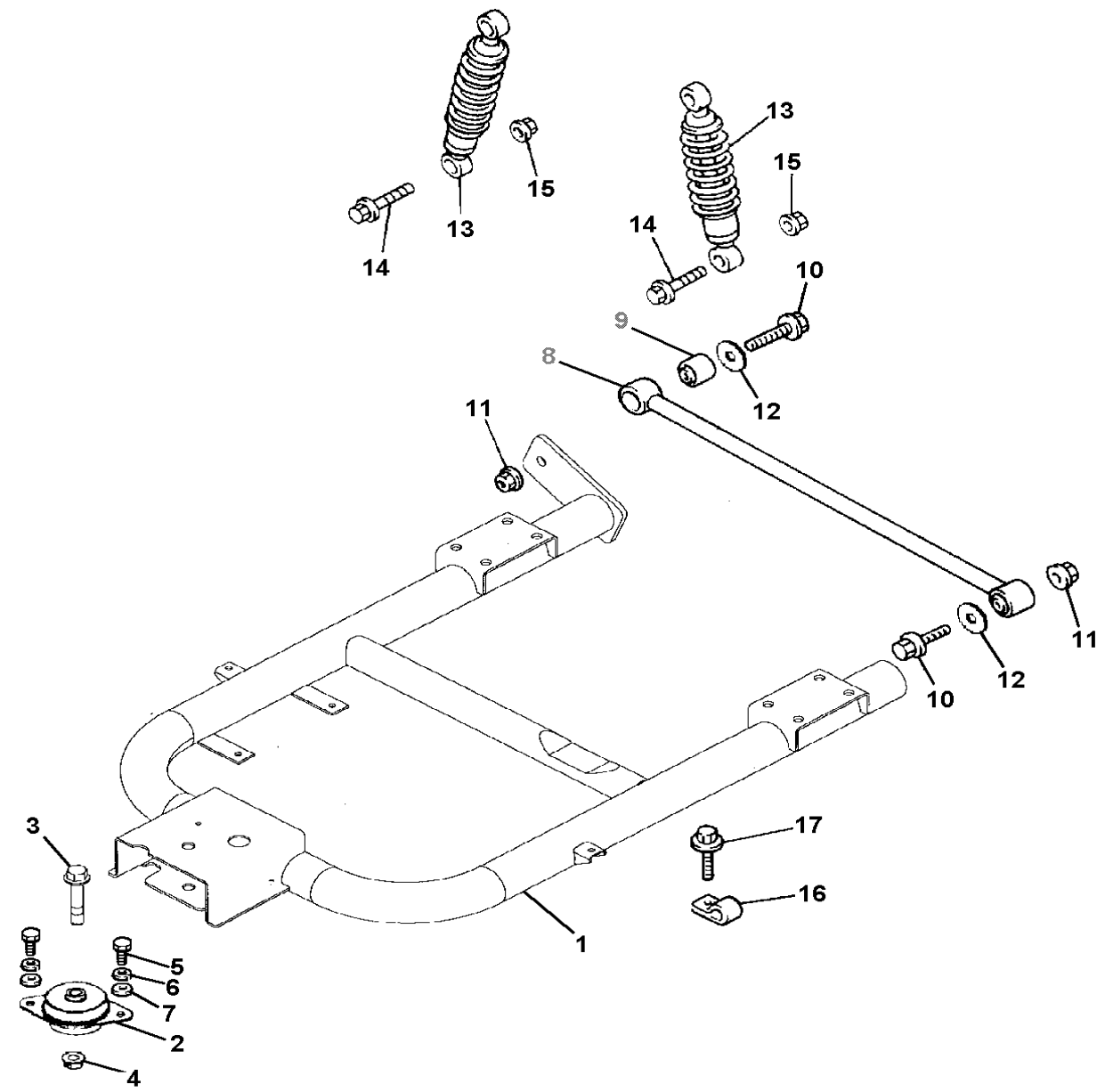
Description	Qty
CARBURETOR ASSY, LEFT	1
CARBURETOR ASSY, RIGHT	1
. JET, PILOT	2
. NOZZLE, MAIN	2
. LEVER, STARTER, LEFT	1
. LEVER, STARTER, RIGHT	1

APPLICABLE SERIAL NO.

(1) Frame Serial No.



REAR ARM SUSPENSION



Ref. No.	Part Number	Description	Qty	Remarks
1	JN8-F2110-00-00	REAR ARM COMP.	1	
2	JN6-F2123-01-00	BUSHING, 1	1	
3	90105-13864-00	BOLT, FLANGE	1	
4	90179-13878-00	NUT	1	
5	97017-10020-00	BOLT, HEX HEAD	2	
6	92907-10100-00	WASHER, LOCK	2	
7	92907-10600-00	WASHER, PLAIN	2	
8	JN6-F2172-00-00	ROD, CONNECTING	1	
9	JN6-F2124-00-00	BUSHING, 2	2	
10	95817-12065-00	BOLT, FLANGE	2	
11	95617-12200-00	NUT, SELF-LOCKING	2	
12	90201-12426-00	WASHER, PLAIN	2	
13	JN4-F2210-00-00	SHOCK ABSORBER	2	
14	95807-10055-00	BOLT, FLANGE	4	
15	95607-10200-00	NUT, (RH THREAD)	4	
16	90462-20186-00	CLAMP	2	
17	95817-06016-00	BOLT, FLANGE	2	

CONTENTS

ACCELERATOR	B2
BATTERY CHARGER	C8-9
BODY 1	B7-8
BODY 2	B9-10
BODY FITTING	B11
BRAKE 1	A10-11
BRAKE 2	A12
BRAKE 3	B1
BUMPER	B6
CARRIER	B12
CONTROLLER 1	C4-5
ELECTRIC MOTOR	C3
ELECTRICAL 1	C6-7
FRAME	A6
FRONT SUSPENSION WHEEL	A7-8
OPTIONAL GAUGES	D3
OPTIONAL HUB CAPS	C10
OPTIONAL LIGHT KIT	D4
OPTIONAL LIGHT KIT	
STREAMLINE JU2	D5-6
OPTIONAL SUN ROOF JN3	D1
OPTIONAL SUN ROOF JN6	D2
OPTIONAL WINDSHIELD JN3	C11
OPTIONAL WINDSHIELD JN6	C12
REAR ARM SUSPENSION	A5
REAR AXLE MOUNT WHEEL	B5
SEAT	C1-2
STEERING	A9
TRANSAXLE 1	B3-4
-MODELS IN THIS CATALOG	D7



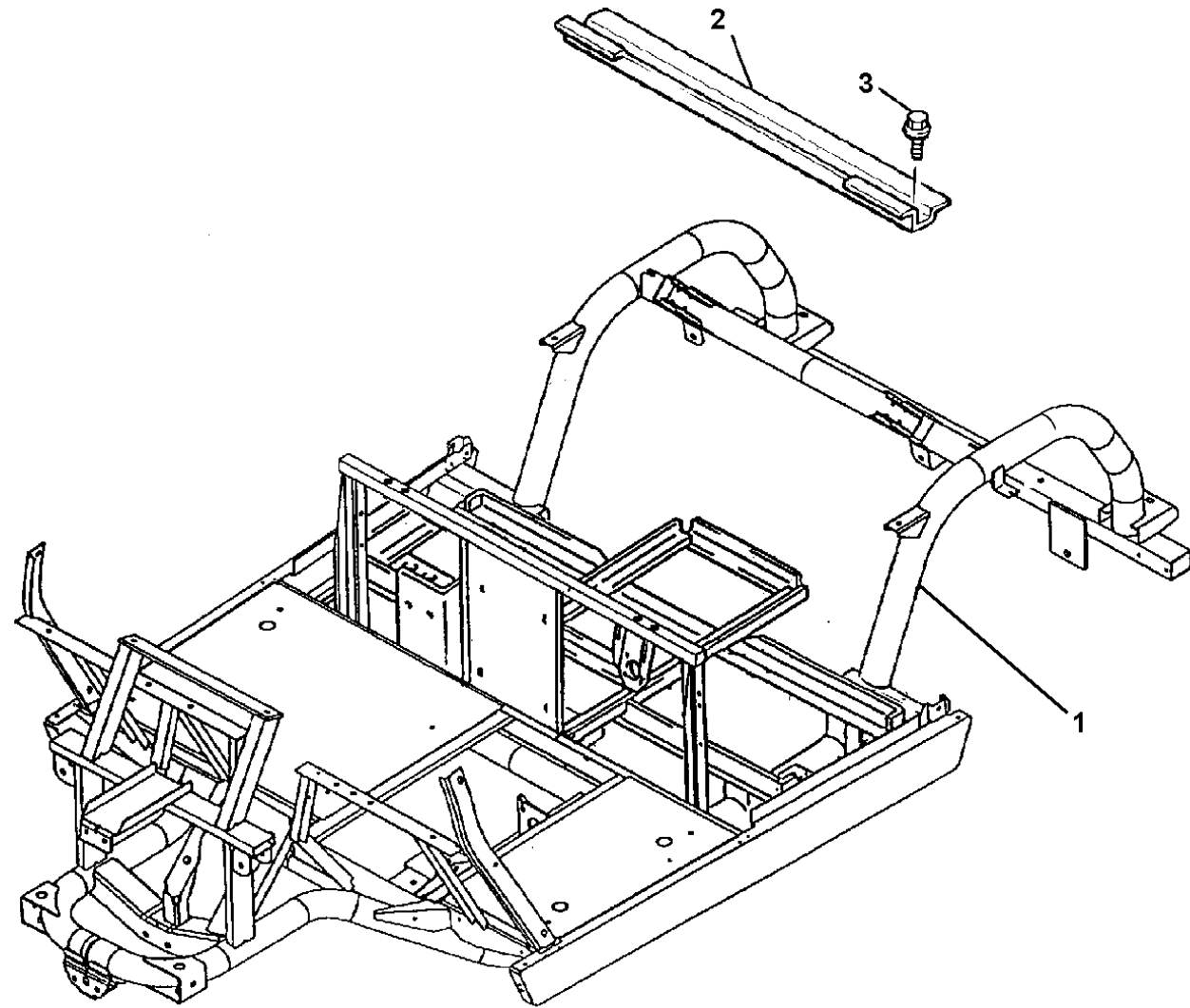
JN8100-6010

FRAME

Ref. No.	Part Number	Description	Qty	Remarks
1	JR1-F2501-02-00	FRAME COMP.	1	
2	JN6-F254R-00-00	SUPPORT, BODY MOUNTING .	1	
3	95817-08016-00	BOLT, FLANGE	2	

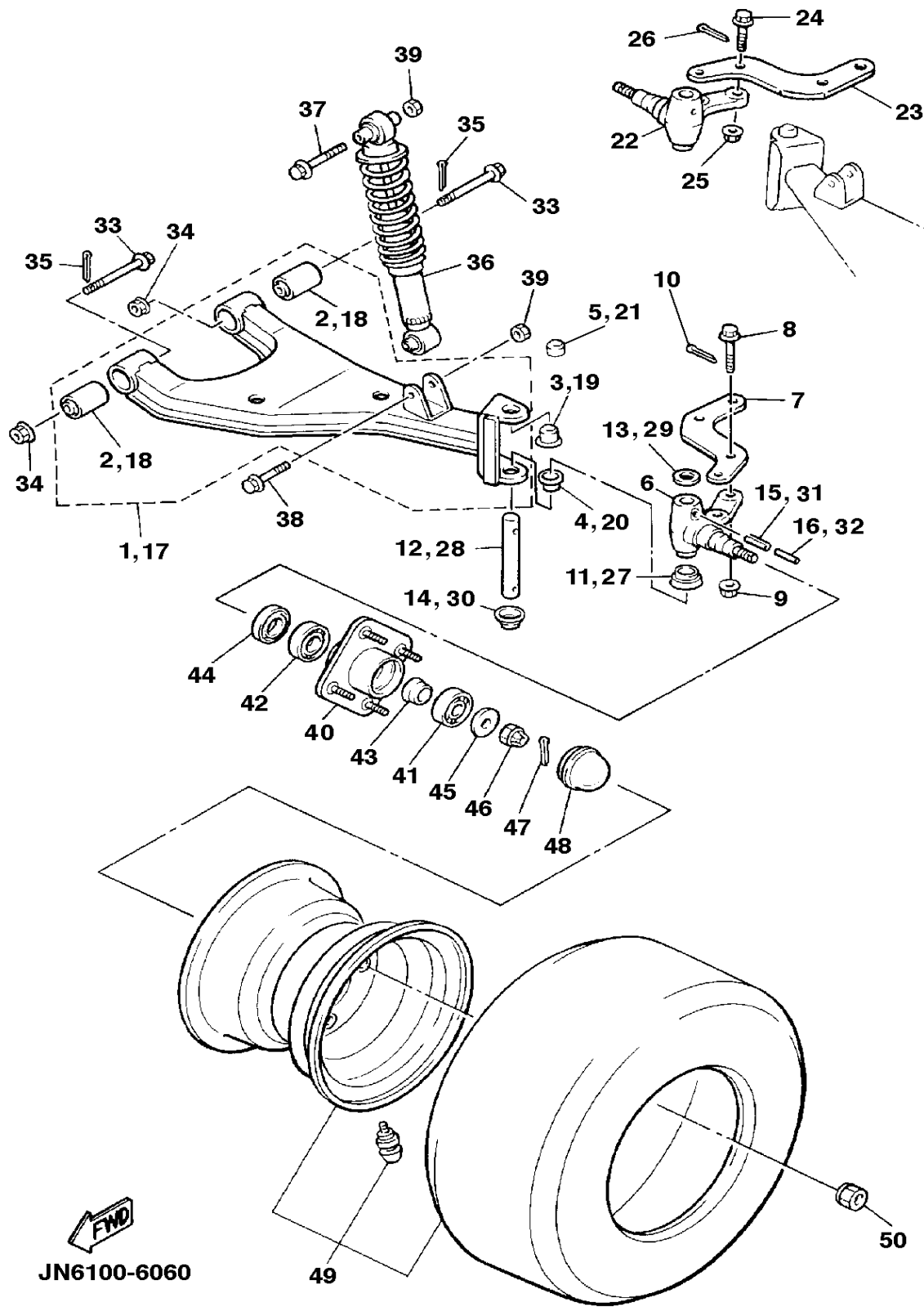
CONTENTS

ACCELERATOR	B2
BATTERY CHARGER	C8-9
BODY 1	B7-8
BODY 2	B9-10
BODY FITTING	B11
BRAKE 1	A10-11
BRAKE 2	A12
BRAKE 3	B1
BUMPER	B6
CARRIER	B12
CONTROLLER 1	C4-5
ELECTRIC MOTOR	C3
ELECTRICAL 1	C6-7
FRAME	A6
FRONT SUSPENSION WHEEL	A7-8
OPTIONAL GAUGES	D3
OPTIONAL HUB CAPS	C10
OPTIONAL LIGHT KIT	D4
OPTIONAL LIGHT KIT	D4
STREAMLINE JU2	D5-6
OPTIONAL SUN ROOF JN3	D1
OPTIONAL SUN ROOF JN6	D2
OPTIONAL WINDSHIELD JN3	C11
OPTIONAL WINDSHIELD JN6	C12
REAR ARM SUSPENSION	A5
REAR AXLE MOUNT WHEEL	B5
SEAT	C1-2
STEERING	A9
TRANSAXLE 1	B3-4
-MODELS IN THIS CATALOG	D7



 JR1100-6010

FRONT SUSPENSION WHEEL



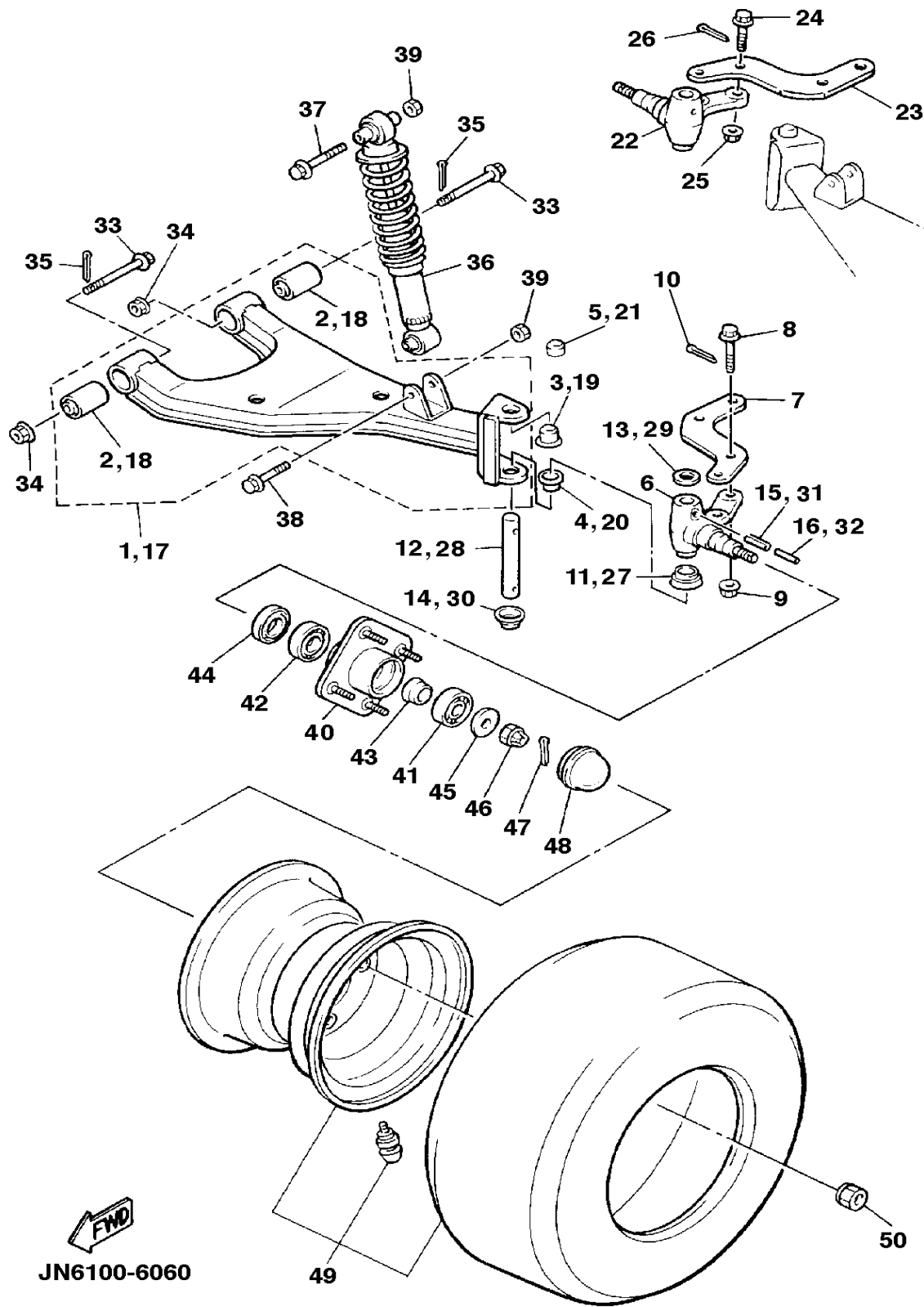
Ref. No.	Part Number	Description	Qty	Remarks
1	JN6-F3570-00-00	FRONT LOWER ARM, LEFT	1	
2	JN6-F3526-00-00	. BUSHING, ARM	1	
3	90384-15826-00	BUSH, BIMETAL	1	JR1-204501~
4	90384-15825-00	BUSH, BIMETAL	1	JR1-204501~
5	90334-19800-00	PLUG, STRAIGHT	1	JR1-204501~
6	JN6-F3511-00-00	KNUCKLE, STEERING	1	
7	JN3-F3512-00-00	ARM, KNUCKLE	1	
8	95814-10040-00	BOLT, FLANGE	2	
9	95617-10200-00	NUT, U-FLANGE	2	
10	91490-25020-00	PIN, COTTER	2	
11	J38-23527-00-00	SEAL, DUST 1	1	
12	J38-23516-00-00	PIN, STEERING KNUCKLE	1	
13	90201-156J2-00	WASHER, PLAIN	1	
14	J38-23528-00-00	SEAL, DUST 2	1	
15	91609-60028-00	PIN, SPRING	1	
16	91609-35028-00	PIN, SPRING	1	
17	JN6-F3580-00-00	FRONT LOWER ARM, RIGHT	1	
18	JN6-F3526-00-00	. BUSHING, ARM	1	
19	90384-15826-00	BUSH, BIMETAL	1	
20	90384-15825-00	BUSH, BIMETAL	1	
21	90386-19800-00	PLUG, STRAIGHT	1	
22	JN6-F3521-00-00	KNUCKLE, STEERING	1	
23	JN3-F3512-00-00	ARM, KNUCKLE	1	
24	95814-10040-00	BOLT, FLANGE	2	
25	95607-10200-00	NUT, (RH THREAD)	2	
26	91490-25020-00	PIN, COTTER	2	
27	J38-23527-00-00	SEAL, DUST 1	1	
28	J38-23516-00-00	PIN, STEERING KNUCKLE	1	
29	90201-156J2-00	WASHER, PLAIN	1	
30	J38-23528-00-00	SEAL, DUST 2	1	

CONTENTS

ACCELERATOR	B2
BATTERY CHARGER	C8-9
BODY 1	B7-8
BODY 2	B9-10
BODY FITTING	B11
BRAKE 1	A10-11
BRAKE 2	A12
BRAKE 3	B1
BUMPER	B6
CARRIER	B12
CONTROLLER 1	C4-5
ELECTRIC MOTOR	C3
ELECTRICAL 1	C6-7
FRAME	A6
FRONT SUSPENSION WHEEL	A7-8
OPTIONAL GAUGES	D3
OPTIONAL HUB CAPS	C10
OPTIONAL LIGHT KIT	D4
OPTIONAL LIGHT KIT	
STREAMLINE JU2	D5-6
OPTIONAL SUN ROOF JN3	D1
OPTIONAL SUN ROOF JN6	D2
OPTIONAL WINDSHIELD JN3	C11
OPTIONAL WINDSHIELD JN6	C12
REAR ARM SUSPENSION	A5
REAR AXLE MOUNT WHEEL	B5
SEAT	C1-2
STEERING	A9
TRANSAXLE 1	B3-4
-MODELS IN THIS CATALOG	D7

CONTINUED ON NEXT FRAME ►

FRONT SUSPENSION WHEEL



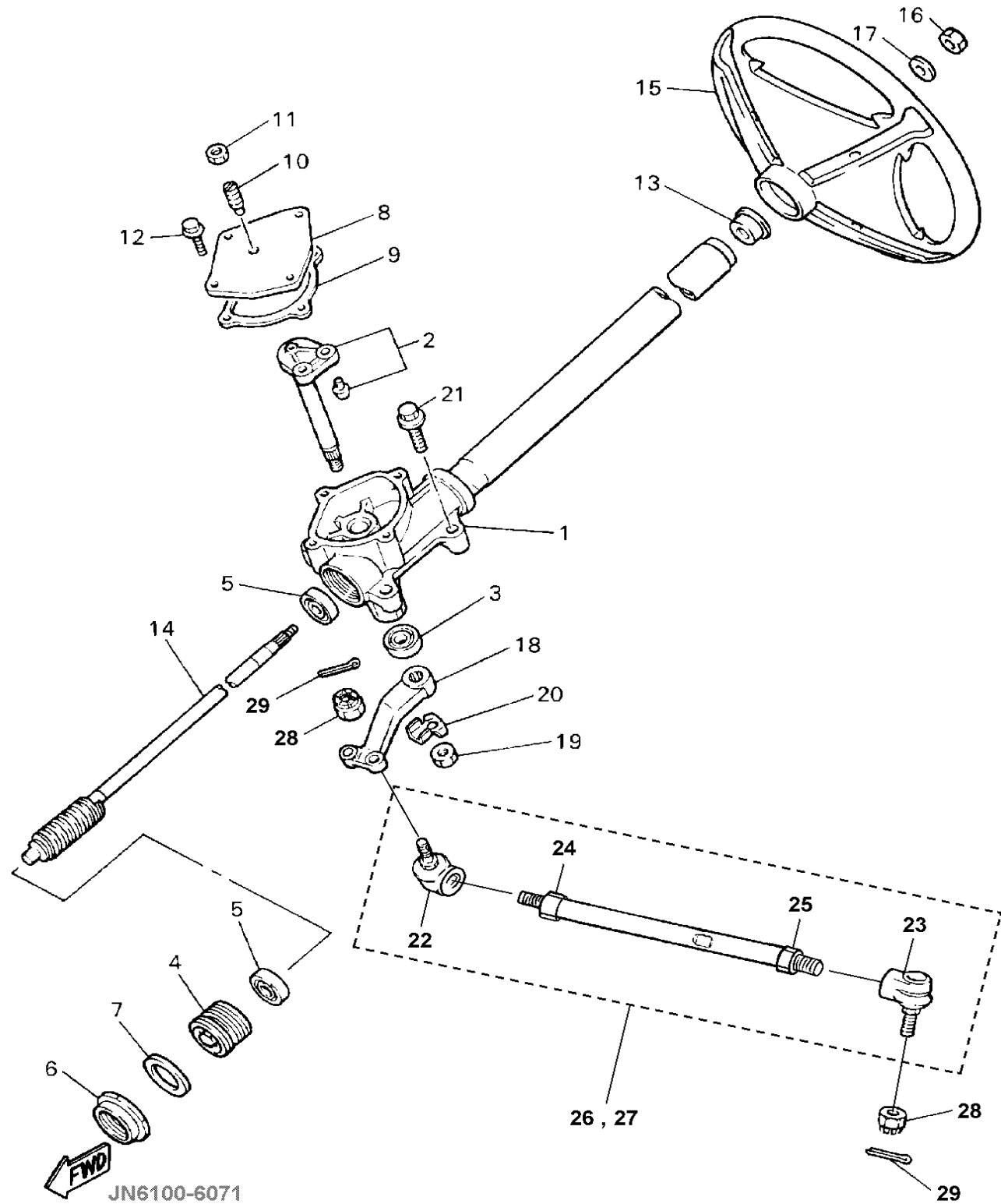
Ref. No.	Part Number	Description	Qty	Remarks
31	91609-60028-00	PIN, SPRING	1	
32	91609-35028-00	PIN, SPRING	1	
33	95817-10075-00	BOLT, FLANGE	4	
34	95607-10200-00	NUT, (RH THREAD)	4	
35	91490-25020-00	PIN, COTTER	4	
36	JN4-F3350-00-00	CUSHION ASSEMBLY	2	
37	95817-10065-00	BOLT, FLANGE	2	
38	95817-10055-00	BOLT, FLANGE	2	
39	95607-10200-00	NUT, (RH THREAD)	4	
40	JG5-WF511-00-00	HUB	2	
41	93306-204X0-00	BEARING	2	
42	93306-005Y3-00	BEARING	2	
43	90387-241M7-00	COLLAR	2	
44	93102-30083-00	OIL SEAL	2	
45	90209-32271-00	WASHER	2	
46	95607-14100-00	NUT, U	2	
47	91490-25020-00	PIN, COTTER	2	
48	JN6-25118-00-00	COVER, HUB DUST	2	
49	JN6-F5100-11-00	REAR WHEEL ASSY	2	
50	90179-12262-00	NUT	8	

CONTENTS

ACCELERATOR	B2
BATTERY CHARGER	C8-9
BODY 1	B7-8
BODY 2	B9-10
BODY FITTING	B11
BRAKE 1	A10-11
BRAKE 2	A12
BRAKE 3	B1
BUMPER	B6
CARRIER	B12
CONTROLLER 1	C4-5
ELECTRIC MOTOR	C3
ELECTRICAL 1	C6-7
FRAME	A6
FRONT SUSPENSION WHEEL	A7-8
OPTIONAL GAUGES	D3
OPTIONAL HUB CAPS	C10
OPTIONAL LIGHT KIT	D4
OPTIONAL LIGHT KIT	D4
STREAMLINE JU2	D5-6
OPTIONAL SUN ROOF JN3	D1
OPTIONAL SUN ROOF JN6	D2
OPTIONAL WINDSHIELD JN3	C11
OPTIONAL WINDSHIELD JN6	C12
REAR ARM SUSPENSION	A5
REAR AXLE MOUNT WHEEL	B5
SEAT	C1-2
STEERING	A9
TRANSAXLE 1	B3-4
-MODELS IN THIS CATALOG	D7

JN6100-6060

STEERING

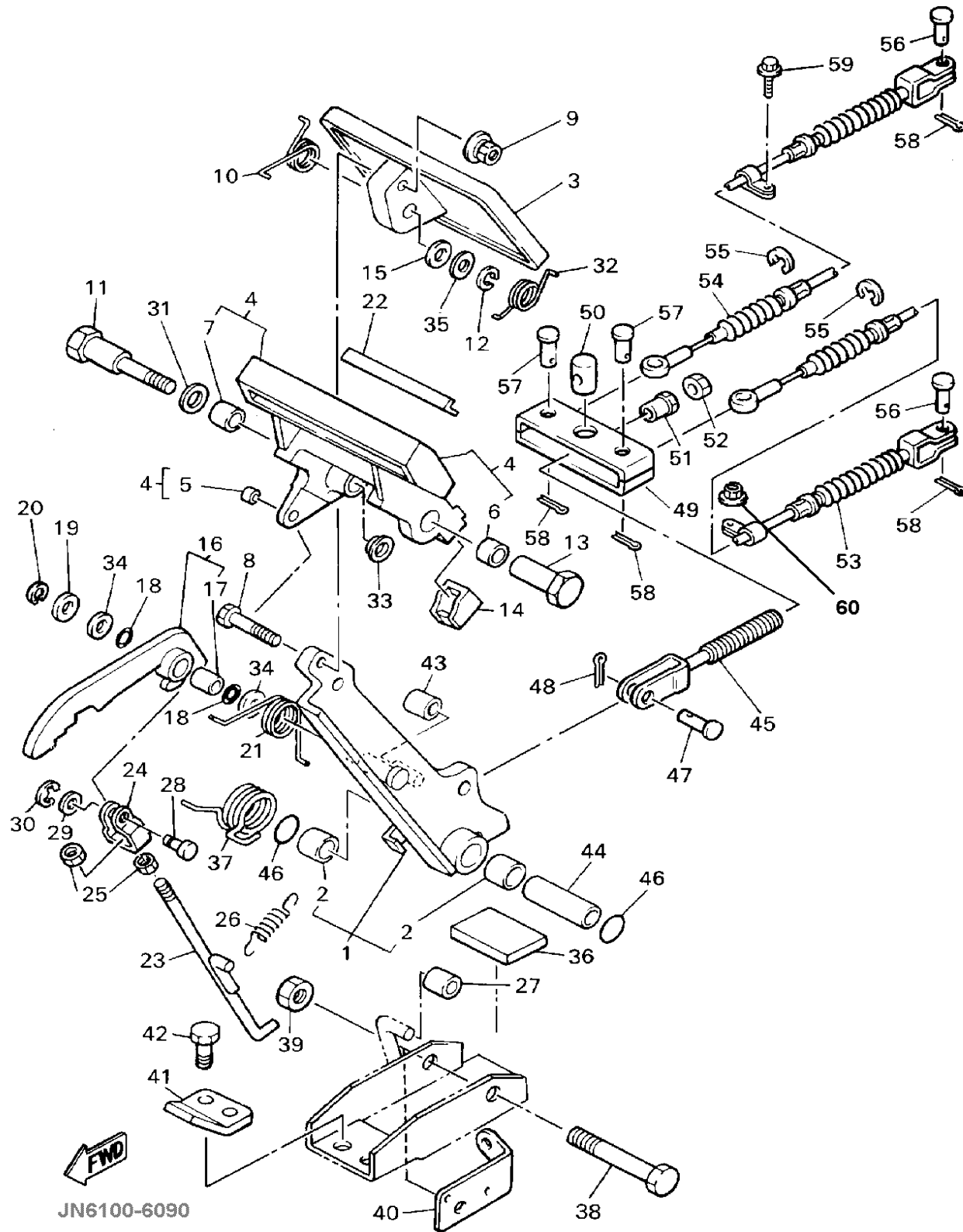


Ref. No.	Part Number	Description	Qty	Remarks
1	JG5-F3811-00-00	COLUMN, STEERING	1	
2	J38-23816-00-00	ARM, PITMAN	1	
3	93102-22314-00	SEAL, OIL	1	
4	J55-F3876-00-00	BOLT	1	
5	93332-000Y2-00	BEARING	2	
6	J10-23877-00-00	NUT	1	
7	J10-23444-00-00	WASHER	1	
8	JN3-F3818-00-00	COVER, STEERING	1	
9	J38-23462-01-00	SEAL, STEERING	1	
10	J10-23459-00-00	BOLT	1	
11	90170-08024-00	NUT, HEX	1	
12	95817-06020-00	BOLT, FLANGE	4	
13	JN3-F3814-00-00	HOLDER, HANDLE	1	
14	J10-23840-00-00	STEERING SHAFT	1	
15	JN3-F3838-00-00	WHEEL, STEERING	1	
16	95617-12200-00	NUT, SELF-LOCKING	1	
17	92907-12200-00	WASHER, PLAIN	1	
18	J38-23826-01-00	ARM, IDLER	1	
19	95707-16300-00	NUT, NYLON	1	
20	90215-16252-00	WASHER, TONGUE	1	
21	90105-100A4-00	BOLT, FLANGE	4	
22	JN6-F3841-00-00	UNIVERSAL, JOINT (RH THREAD)	2	
23	JN6-F3845-00-00	UNIVERSAL, JOINT (LH THREAD)	2	
24	9530N-10600-00	NUT, (RH THREAD)	2	
25	90170-10414-00	NUT, (LH THREAD)	2	
26	JN6-F3830-11-00	TIE ROD ASSEMBLY, RIGHT	1	
27	JN6-F3850-11-00	TIE ROD ASSEMBLY, LEFT	1	
28	95617-10200-00	NUT, U-FLANGE	4	
29	91401-25020-00	PIN, COTTER	4	

CONTENTS

ACCELERATOR	B2
BATTERY CHARGER	C8-9
BODY 1	B7-8
BODY 2	B9-10
BODY FITTING	B11
BRAKE 1	A10-11
BRAKE 2	A12
BRAKE 3	B1
BUMPER	B6
CARRIER	B12
CONTROLLER 1	C4-5
ELECTRIC MOTOR	C3
ELECTRICAL 1	C6-7
FRAME	A6
FRONT SUSPENSION WHEEL	A7-8
OPTIONAL GAUGES	D3
OPTIONAL HUB CAPS	C10
OPTIONAL LIGHT KIT	D4
OPTIONAL LIGHT KIT STREAMLINE JU2	D5-6
OPTIONAL SUN ROOF JN3	D1
OPTIONAL SUN ROOF JN6	D2
OPTIONAL WINDSHIELD JN3	C11
OPTIONAL WINDSHIELD JN6	C12
REAR ARM SUSPENSION	A5
REAR AXLE MOUNT WHEEL	B5
SEAT	C1-2
STEERING	A9
TRANSAXLE 1	B3-4
-MODELS IN THIS CATALOG	D7

BRAKE 1



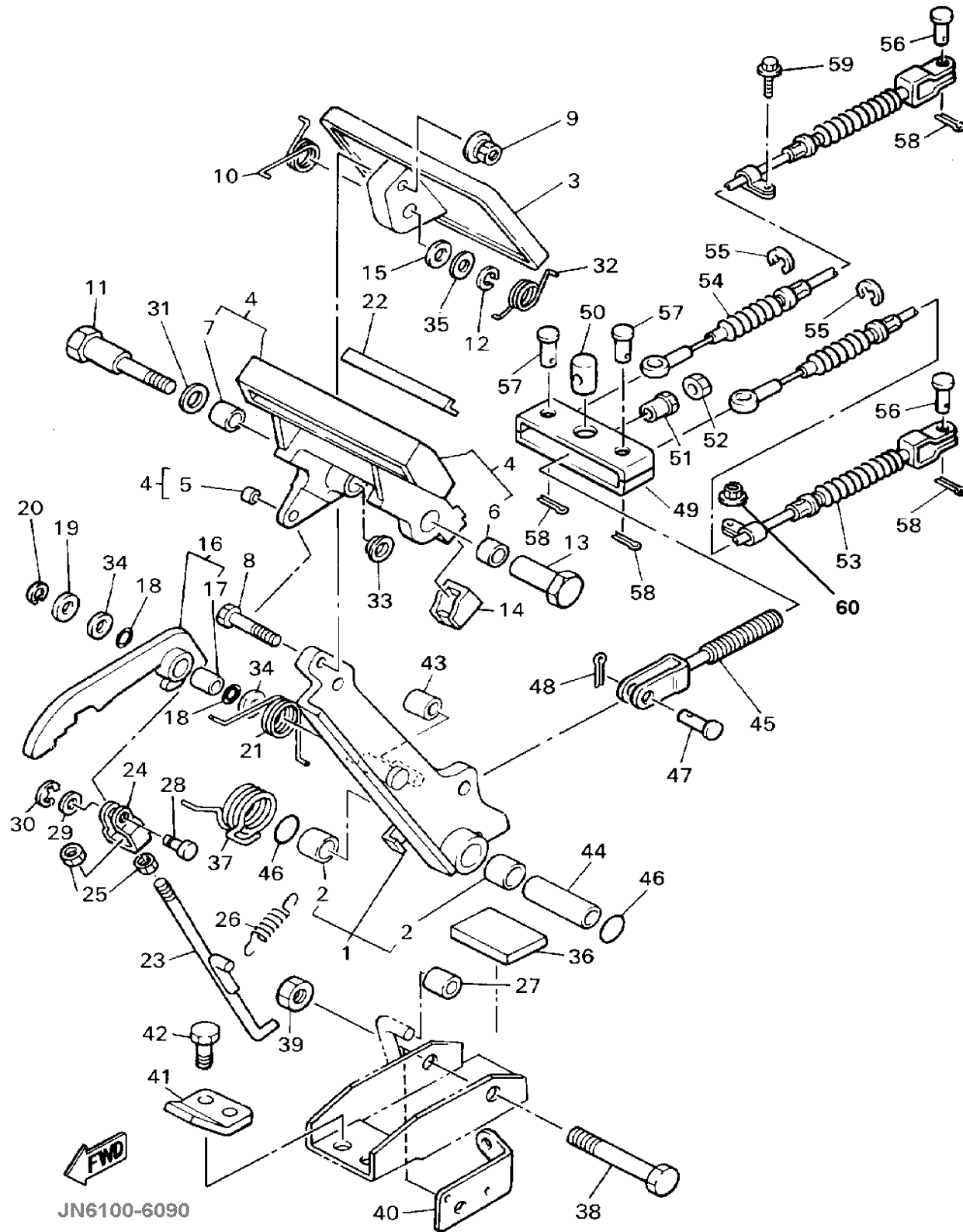
Ref. No.	Part Number	Description	Qty	Remarks
1	J46-27250-03-00	BRAKE ARM COMP.	1	
2	90384-14080-00	. BUSH, BIMETAL	2	
3	J10-27211-00-00	PEDAL, BRAKE	1	
4	J17-25670-01-00	PARKING BRAKE COMP.	1	
5	90384-05163-00	. BUSH, BIMETAL	1	
6	90384-12164-00	. BUSH, BIMETAL	1	
7	90380-12051-00	. BUSH, SOLID	1	
8	90101-06555-00	BOLT, HEX	1	
9	90179-06387-00	NUT	1	
10	90508-23542-00	SPRING, TORSION	1	
11	90109-08669-00	BOLT	1	
12	92907-08100-00	WASHER, SPRING	1	
13	90179-08378-00	NUT	1	
14	J17-25679-01-00	DAMPER	2	
15	92907-08200-00	WASHER, PLAIN	1	
16	J17-W2561-02-00	SECTOR, PARKING BRAKE ..	1	
17	90384-10162-00	. BUSH, BIMETAL	1	
18	J17-27221-00-00	SEAL, SHAFT	2	
19	92907-10600-00	WASHER, PLAIN	1	
20	99080-07600-00	CIRCLIP (E)	1	
21	90508-14548-00	SPRING, TORSION	1	
22	J17-25672-01-00	PAD, PARKING	1	
23	J17-27231-03-00	ROD, BRAKE	1	
24	J17-27232-00-00	END, ROD 1	1	
25	95317-06700-00	NUT, HEX	2	
26	90506-08526-00	SPRING, TENSION	1	
27	J17-25673-00-00	DAMPER, BRAKE	1	
28	J17-27228-00-00	PIN, LINK JOINT	1	
29	92907-05600-00	WASHER	1	
30	99080-04600-00	CIRCLIP(E)	1	

CONTENTS

ACCELERATOR	B2
BATTERY CHARGER	C8-9
BODY 1	B7-8
BODY 2	B9-10
BODY FITTING	B11
BRAKE 1	A10-11
BRAKE 2	A12
BRAKE 3	B1
BUMPER	B6
CARRIER	B12
CONTROLLER 1	C4-5
ELECTRIC MOTOR	C3
ELECTRICAL 1	C6-7
FRAME	A6
FRONT SUSPENSION WHEEL	A7-8
OPTIONAL GAUGES	D3
OPTIONAL HUB CAPS	C10
OPTIONAL LIGHT KIT	D4
OPTIONAL LIGHT KIT	
STREAMLINE JU2	D5-6
OPTIONAL SUN ROOF JN3	D1
OPTIONAL SUN ROOF JN6	D2
OPTIONAL WINDSHIELD JN3	C11
OPTIONAL WINDSHIELD JN6	C12
REAR ARM SUSPENSION	A5
REAR AXLE MOUNT WHEEL	B5
SEAT	C1-2
STEERING	A9
TRANSAXLE 1	B3-4
-MODELS IN THIS CATALOG	D7

CONTINUED ON NEXT FRAME ►

BRAKE 1



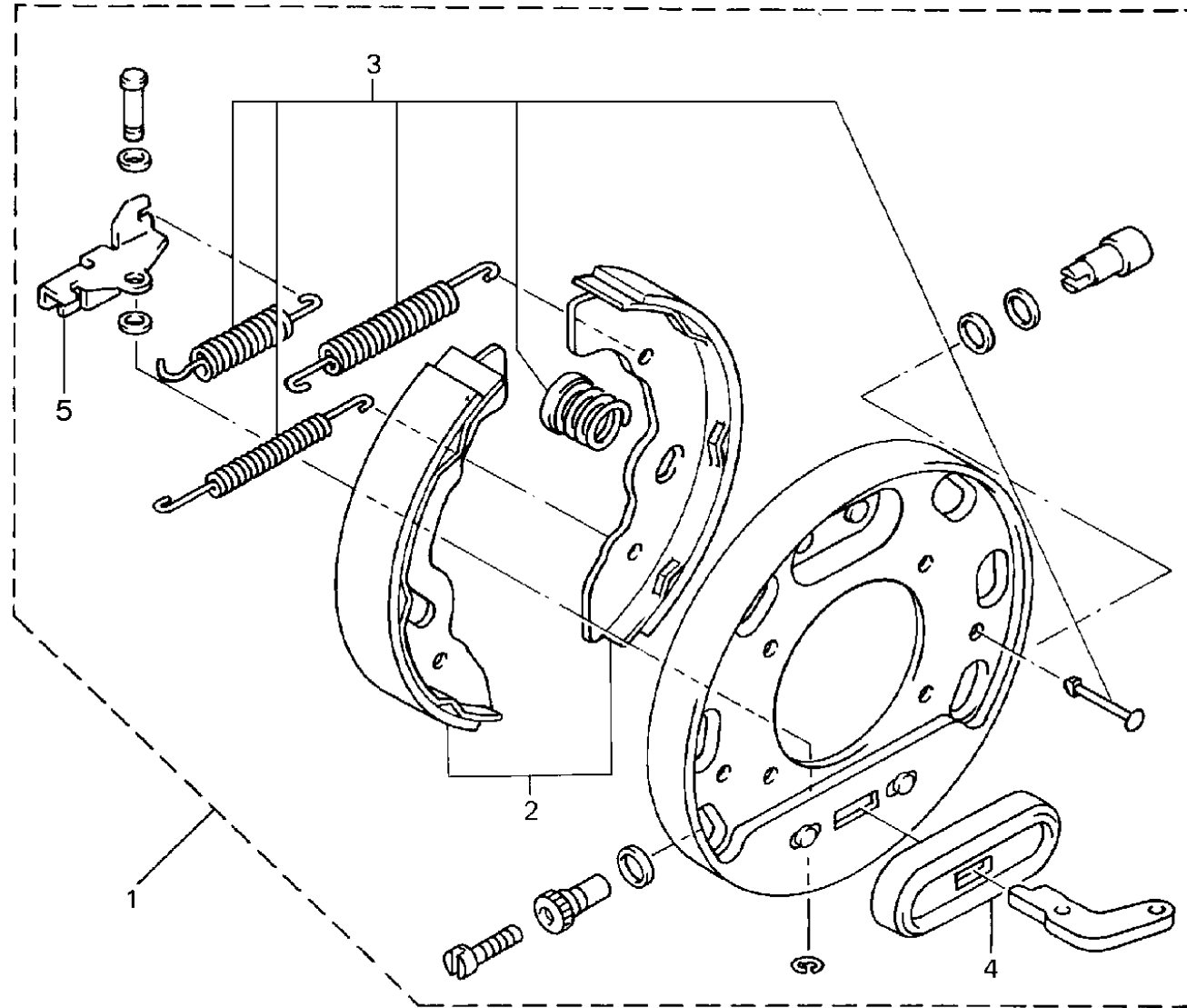
Ref. No.	Part Number	Description	Qty	Remarks
31	90201-123F2-00	WASHER, PLAIN	1	
32	90508-26557-00	SPRING, TORSION	1	
33	90380-12105-00	BUSH, SOLID	1	
34	90201-104G8-00	WASHER, PLAIN	2	
35	J55-27226-00-00	WASHER, LINK	1	
36	JN3-F7245-00-00	PAD, BRAKE PEDAL	1	
37	90508-405A9-00	SPRING, TORSION	1	
38	90101-10447-00	BOLT, HEX	1	
39	95617-10200-00	NUT, U-FLANGE	1	
40	J55-2252M-00-00	BRACKET, 3	1	
41	J17-27246-00-00	NAIL, BRAKE	1	
42	95807-08020-00	BOLT, FLANGE	2	
43	J17-25673-00-00	DAMPER, BRAKE	1	
44	90387-107F8-00	COLLAR	1	
45	JN6-F5685-00-00	ROD	1	
46	93210-132A8-00	O-RING	2	
47	91701-10022-00	PIN	1	
48	91490-30020-00	PIN, COTTER	1	
49	JN6-F5681-00-00	EQUALIZER, BRAKE	1	
50	90249-14129-00	PIN	1	
51	90179-08261-00	NUT	1	
52	95317-08700-00	NUT, HEX	1	
53	JN6-F6341-00-00	WIRE, BRAKE 1	1	
54	JF2-F6351-10-00	WIRE, BRAKE 2	1	
55	99001-09600-00	CIRCLIP (E)	4	
56	91701-08018-00	PIN	2	
57	91701-08026-00	PIN	2	
58	91490-25020-00	PIN, COTTER	4	
59	95817-06016-00	BOLT, FLANGE	2	
60	95607-08200-00	NUT, U-FLANGE	1	

CONTENTS

ACCELERATOR	B2
BATTERY CHARGER	C8-9
BODY 1	B7-8
BODY 2	B9-10
BODY FITTING	B11
BRAKE 1	A10-11
BRAKE 2	A12
BRAKE 3	B1
BUMPER	B6
CARRIER	B12
CONTROLLER 1	C4-5
ELECTRIC MOTOR	C3
ELECTRICAL 1	C6-7
FRAME	A6
FRONT SUSPENSION WHEEL	A7-8
OPTIONAL GAUGES	D3
OPTIONAL HUB CAPS	C10
OPTIONAL LIGHT KIT	D4
OPTIONAL LIGHT KIT	
STREAMLINE JU2	D5-6
OPTIONAL SUN ROOF JN3	D1
OPTIONAL SUN ROOF JN6	D2
OPTIONAL WINDSHIELD JN3	C11
OPTIONAL WINDSHIELD JN6	C12
REAR ARM SUSPENSION	A5
REAR AXLE MOUNT WHEEL	B5
SEAT	C1-2
STEERING	A9
TRANSAXLE 1	B3-4
-MODELS IN THIS CATALOG	D7

BRAKE 2

Ref. No.	Part Number	Description	Qty	Remarks
1	JN6-F7280-00-00	BACKING PLATE, (RH)	1	FOR RIGHT WHEEL ONLY
2	JN3-F5330-00-00	. SHOE, BRAKE SET	1	FOR ONE WHEEL
3	JG5-F819G-00-00	. REPAIR PARTS KIT	1	
4	JG5-F7286-00-00	. COVER, DUST	1	
5	JN6-F722F-00-00	. LEVER ADJUSTER (RH)	1	



CONTENTS

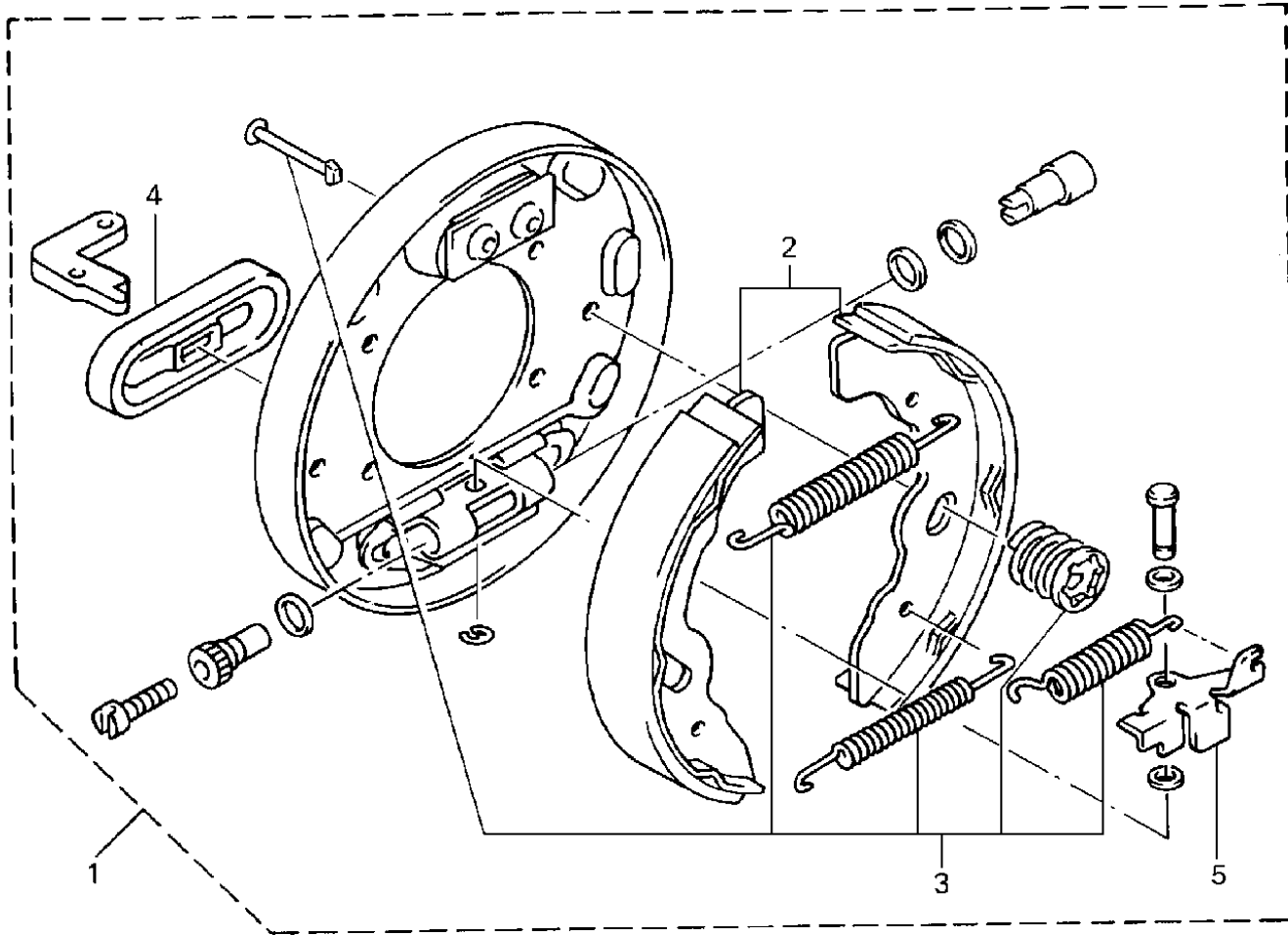
ACCELERATOR	B2
BATTERY CHARGER	C8-9
BODY 1	B7-8
BODY 2	B9-10
BODY FITTING	B11
BRAKE 1	A10-11
BRAKE 2	A12
BRAKE 3	B1
BUMPER	B6
CARRIER	B12
CONTROLLER 1	C4-5
ELECTRIC MOTOR	C3
ELECTRICAL 1	C6-7
FRAME	A6
FRONT SUSPENSION WHEEL	A7-8
OPTIONAL GAUGES	D3
OPTIONAL HUB CAPS	C10
OPTIONAL LIGHT KIT	D4
OPTIONAL LIGHT KIT	D4
STREAMLINE JU2	D5-6
OPTIONAL SUN ROOF JN3	D1
OPTIONAL SUN ROOF JN6	D2
OPTIONAL WINDSHIELD JN3	C11
OPTIONAL WINDSHIELD JN6	C12
REAR ARM SUSPENSION	A5
REAR AXLE MOUNT WHEEL	B5
SEAT	C1-2
STEERING	A9
TRANSAXLE 1	B3-4
-MODELS IN THIS CATALOG	D7



JN4100-5060

BRAKE 3

Ref. No.	Part Number	Description	Qty	Remarks
1	JN6-F7290-00-00	BACKING PLATE, LEFT	1	FOR LEFT WHEEL ONLY
2	JN3-F5330-00-00	. SHOE, BRAKE SET	1	FOR ONE WHEEL
3	JG5-F819G-00-00	. REPAIR PARTS KIT	1	
4	JG5-F7286-00-00	. COVER, DUST	1	
5	JN6-F722E-00-00	. LEVER ADJUSTER (LH)	1	



CONTENTS

ACCELERATOR	B2
BATTERY CHARGER	C8-9
BODY 1	B7-8
BODY 2	B9-10
BODY FITTING	B11
BRAKE 1	A10-11
BRAKE 2	A12
BRAKE 3	B1
BUMPER	B6
CARRIER	B12
CONTROLLER 1	C4-5
ELECTRIC MOTOR	C3
ELECTRICAL 1	C6-7
FRAME	A6
FRONT SUSPENSION WHEEL	A7-8
OPTIONAL GAUGES	D3
OPTIONAL HUB CAPS	C10
OPTIONAL LIGHT KIT	D4
OPTIONAL LIGHT KIT	D4
STREAMLINE JU2	D5-6
OPTIONAL SUN ROOF JN3	D1
OPTIONAL SUN ROOF JN6	D2
OPTIONAL WINDSHIELD JN3	C11
OPTIONAL WINDSHIELD JN6	C12
REAR ARM SUSPENSION	A5
REAR AXLE MOUNT WHEEL	B5
SEAT	C1-2
STEERING	A9
TRANSAXLE 1	B3-4
-MODELS IN THIS CATALOG	D7



JN4100-5070

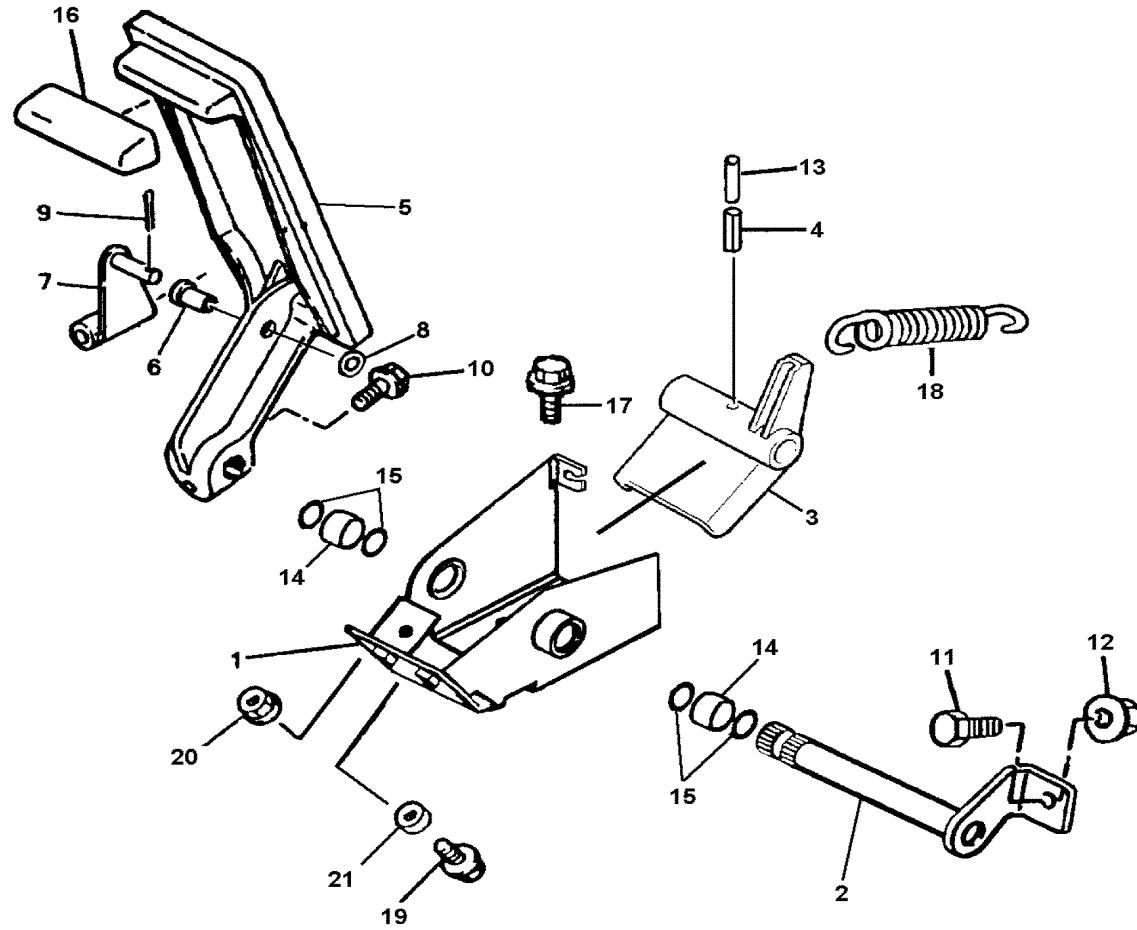
B1


ACCELERATOR

Ref. No.	Part Number	Description	Qty	Remarks
1	JN6-F7874-01-00	BRACKET, PEDAL	1	
2	J17-27853-01-00	SHAFT, PEDAL 1	1	
3	J22-27872-00-00	ARM, ACCELERATOR	1	
4	91609-60028-00	PIN, SPRING	1	
5	JF3-27871-01-00	PEDAL, ACCELERATOR	1	
6	90381-06033-00	BUSH, SOLID	1	
7	J14-27815-00-00	LEVER, CRANK	1	
8	92907-06600-00	WASHER, PLAIN	1	
9	91401-20015-00	PIN, COTTER	1	
10	95817-06025-00	BOLT, FLANGE	1	
11	90106-08040-00	BOLT, RD. HEX	1	
12	95707-08500-00	NUT, FLANGE	1	
13	91609-35028-00	PIN, SPRING	1	
14	90384-14080-00	BUSH, BIMETAL	2	
15	93210-14104-00	O-RING	4	
16	JN3-F7854-00-00	COVER, PEDAL	1	
17	95817-08016-00	BOLT, FLANGE	3	
18	90506-26282-00	SPRING, TENSION	1	
19	95817-06025-00	BOLT, FLANGE	1	
20	95707-06500-00	NUT, FLANGE	1	
21	90387-068T4-00	COLLAR	1	

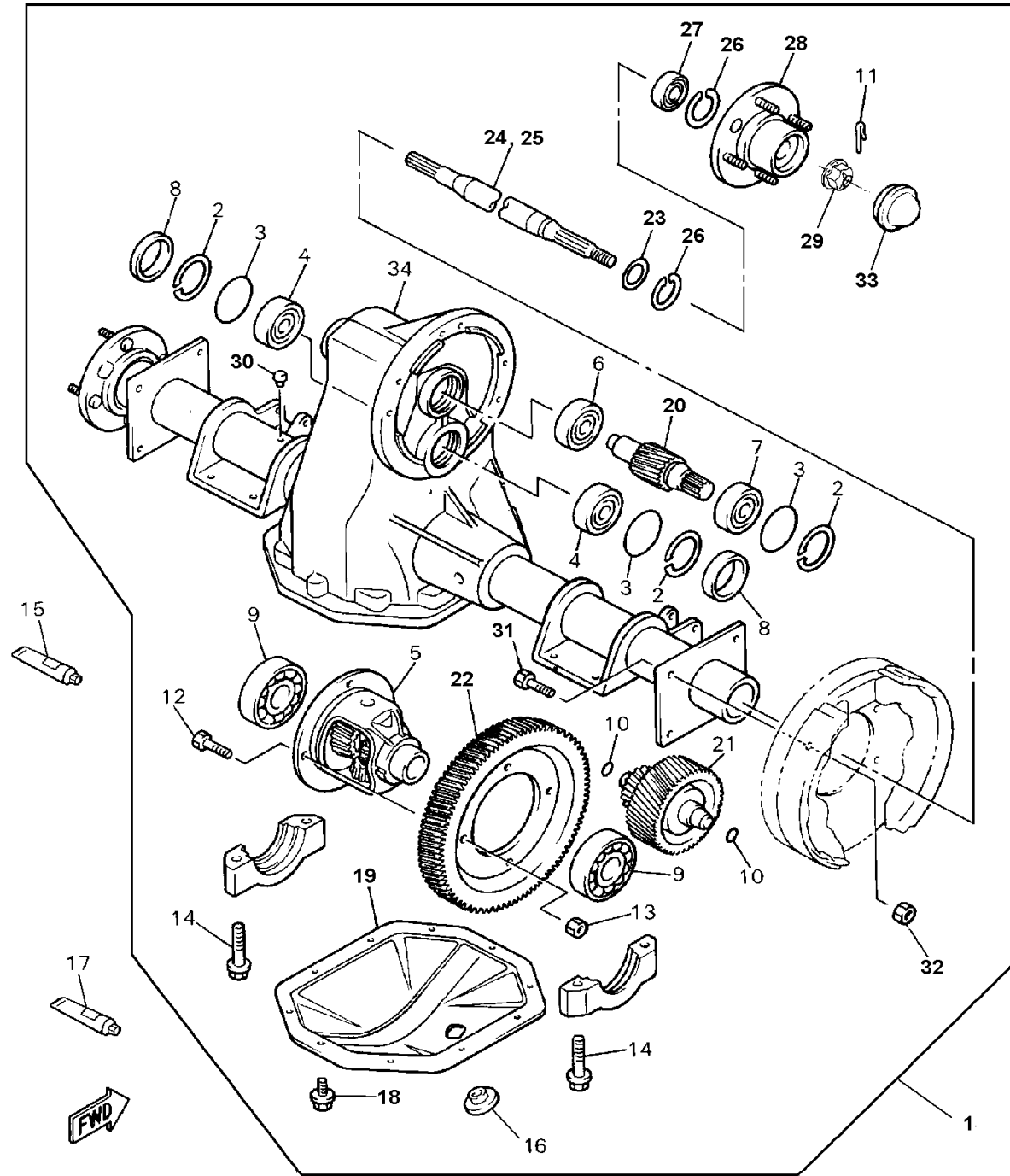
CONTENTS

ACCELERATOR	B2
BATTERY CHARGER	C8-9
BODY 1	B7-8
BODY 2	B9-10
BODY FITTING	B11
BRAKE 1	A10-11
BRAKE 2	A12
BRAKE 3	B1
BUMPER	B6
CARRIER	B12
CONTROLLER 1	C4-5
ELECTRIC MOTOR	C3
ELECTRICAL 1	C6-7
FRAME	A6
FRONT SUSPENSION WHEEL	A7-8
OPTIONAL GAUGES	D3
OPTIONAL HUB CAPS	C10
OPTIONAL LIGHT KIT	D4
OPTIONAL LIGHT KIT	D4
STREAMLINE JU2	D5-6
OPTIONAL SUN ROOF JN3	D1
OPTIONAL SUN ROOF JN6	D2
OPTIONAL WINDSHIELD JN3	C11
OPTIONAL WINDSHIELD JN6	C12
REAR ARM SUSPENSION	A5
REAR AXLE MOUNT WHEEL	B5
SEAT	C1-2
STEERING	A9
TRANSAXLE 1	B3-4
-MODELS IN THIS CATALOG	D7



 JN8100-6031

TRANSAXLE 1



JR1100-6021

Ref. No.	Part Number	Description	Qty	Remarks
1	JR1-G6300-01-00	TRANSAXLE ASSEMBLY	1	
2	93420-50804-00	. CIRCLIP	3	
3	93210-478B8-00	. O-RING	3	
4	93306-303Y6-00	. BEARING	2	
5	JN3-G6410-00-00	. DIFFERENTIAL ASSEMBLY	1	
6	93306-203X1-00	. BEARING	1	
7	93306-005Y1-00	. BEARING	1	
8	JH7-G3396-00-00	. PLUG, BLIND	2	
9	93306-007Y0-00	. BEARING	2	
10	93210-148B9-00	. O-RING	2	
11	91490-25030-00	. PIN, COTTER	2	
12	90101-10854-00	. BOLT, HEX	4	
13	90170-10840-00	. NUT, HEX	4	
14	90105-10840-00	. BOLT, FLANGE	4	
15	ACC-YAMAB-0N-D5	SEALANT	1	FOR MOTOR ATTACHMENT
16	JN3-G6432-00-00	. STOPPER	1	
17	ACC-QUICK-GS-KT	SEALANT	1	FOR DIFFERENTIAL COVER (REF. #19)
18	90101-08856-00	. BOLT, HEX	10	
19	JR1-G6312-00-00	. CASE, TRANSMISSION	1	
20	JH7-G6321-00-00	. SHAFT, INPUT	1	
21	JH7-G6350-00-00	. COUNTER GEAR	1	
22	JH7-G6421-00-00	. GEAR, RING	1	
23	93101-24822-00	. OIL SEAL	2	
24	JR1-G6512-00-00	. SHAFT, RR. AXLE, RIGHT	1	
25	JR1-G6511-00-00	. SHAFT, RR. AXLE, LEFT	1	
26	93420-44805-00	. CIRCLIP	4	
27	93306-004X5-00	. BEARING	2	
28	JN3-G6514-00-00	. HUB, REAR AXLE	2	
29	90185-16833-00	. NUT, SELF-LOCKING	2	

CONTINUED ON NEXT FRAME >

CONTENTS

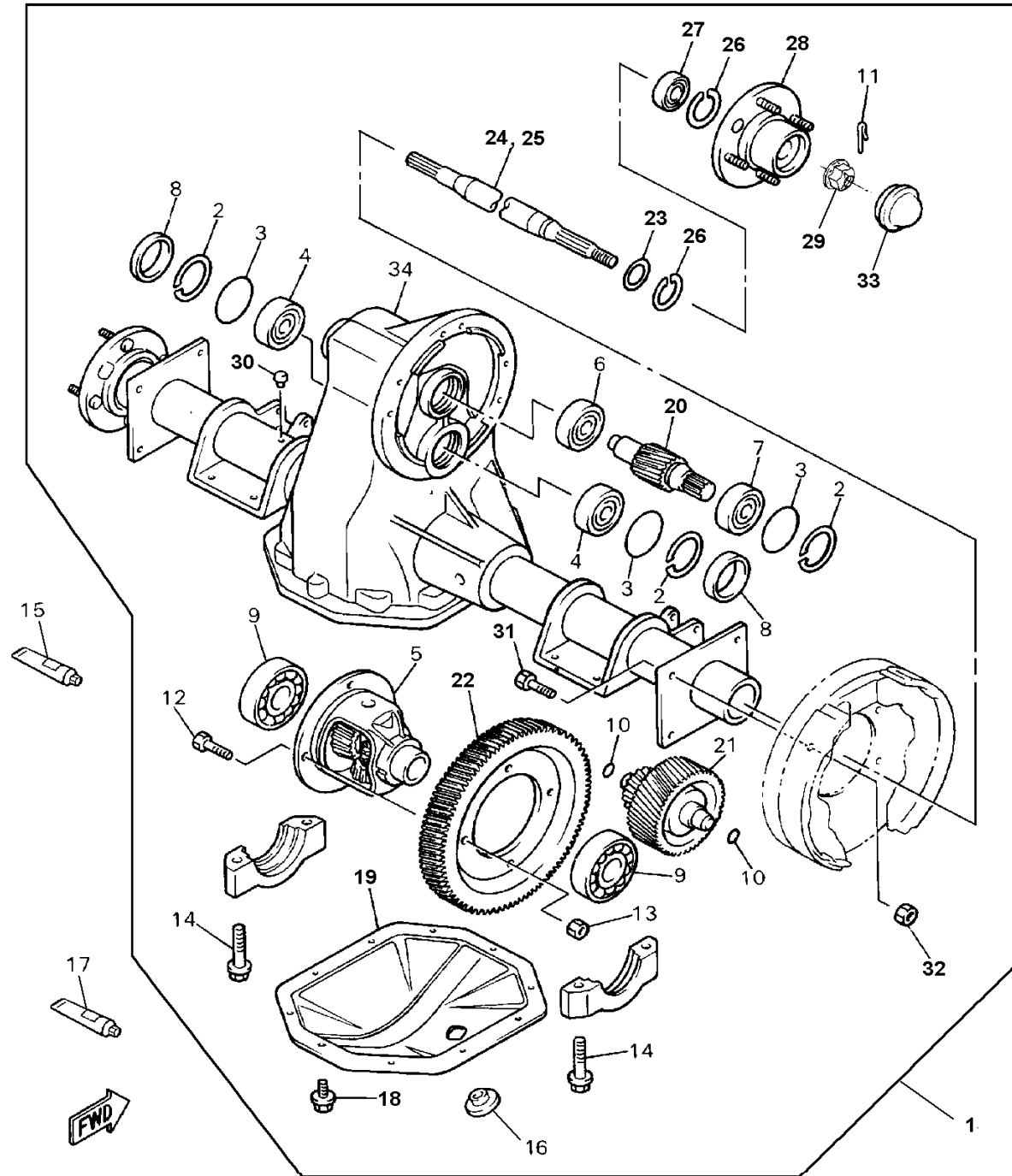
ACCELERATOR	B2
BATTERY CHARGER	C8-9
BODY 1	B7-8
BODY 2	B9-10
BODY FITTING	B11
BRAKE 1	A10-11
BRAKE 2	A12
BRAKE 3	B1
BUMPER	B6
CARRIER	B12
CONTROLLER 1	C4-5
ELECTRIC MOTOR	C3
ELECTRICAL 1	C6-7
FRAME	A6
FRONT SUSPENSION WHEEL	A7-8
OPTIONAL GAUGES	D3
OPTIONAL HUB CAPS	C10
OPTIONAL LIGHT KIT	D4
OPTIONAL LIGHT KIT	
STREAMLINE JU2	D5-6
OPTIONAL SUN ROOF JN3	D1
OPTIONAL SUN ROOF JN6	D2
OPTIONAL WINDSHIELD JN3	C11
OPTIONAL WINDSHIELD JN6	C12
REAR ARM SUSPENSION	A5
REAR AXLE MOUNT WHEEL	B5
SEAT	C1-2
STEERING	A9
TRANSAXLE 1	B3-4
~MODELS IN THIS CATALOG	D7

TRANSAXLE 1

Ref. No.	Part Number	Description	Qty	Remarks
30	JH7-G5619-00-00	. CAP	1	
31	90101-08855-00	. BOLT, HEX	8	
32	90170-08841-00	. NUT, HEX	8	
33	JN6-F5118-00-00	. COVER, HUB DUST	2	
34	JR1-G6310-00-00	. CASE ASSY	1	

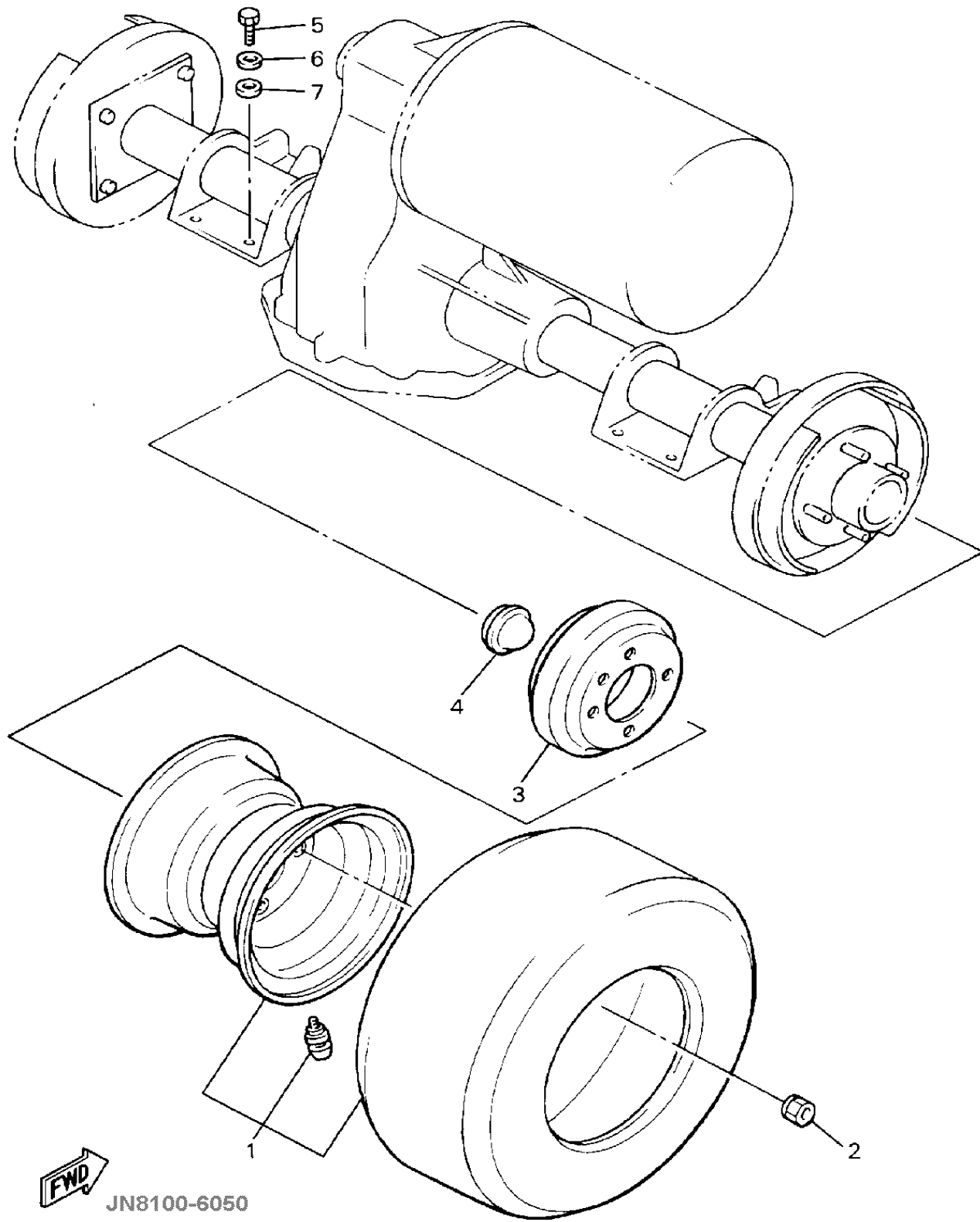
CONTENTS

ACCELERATOR	B2
BATTERY CHARGER	C8-9
BODY 1	B7-8
BODY 2	B9-10
BODY FITTING	B11
BRAKE 1	A10-11
BRAKE 2	A12
BRAKE 3	B1
BUMPER	B6
CARRIER	B12
CONTROLLER 1	C4-5
ELECTRIC MOTOR	C3
ELECTRICAL 1	C6-7
FRAME	A6
FRONT SUSPENSION WHEEL	A7-8
OPTIONAL GAUGES	D3
OPTIONAL HUB CAPS	C10
OPTIONAL LIGHT KIT	D4
OPTIONAL LIGHT KIT	D4
STREAMLINE JU2	D5-6
OPTIONAL SUN ROOF JN3	D1
OPTIONAL SUN ROOF JN6	D2
OPTIONAL WINDSHIELD JN3	C11
OPTIONAL WINDSHIELD JN6	C12
REAR ARM SUSPENSION	A5
REAR AXLE MOUNT WHEEL	B5
SEAT	C1-2
STEERING	A9
TRANSAXLE 1	B3-4
-MODELS IN THIS CATALOG	D7



JR1100-6021

REAR AXLE MOUNT WHEEL



Ref. No.	Part Number	Description	Qty	Remarks
1	JN6-F5100-11-00	REAR WHEEL ASSY	2	
2	90179-12262-00	NUT	8	
3	J55-G6521-00-00	DRUM	2	
4	JN6-F5118-00-00	COVER, HUB DUST	2	
5	97017-10020-00	BOLT, HEX HEAD	8	
6	92907-10100-00	WASHER, LOCK	8	
7	92907-10600-00	WASHER, PLAIN	8	

CONTENTS

ACCELERATOR	B2
BATTERY CHARGER	C8-9
BODY 1	B7-8
BODY 2	B9-10
BODY FITTING	B11
BRAKE 1	A10-11
BRAKE 2	A12
BRAKE 3	B1
BUMPER	B6
CARRIER	B12
CONTROLLER 1	C4-5
ELECTRIC MOTOR	C3
ELECTRICAL 1	C6-7
FRAME	A6
FRONT SUSPENSION WHEEL	A7-8
OPTIONAL GAUGES	D3
OPTIONAL HUB CAPS	C10
OPTIONAL LIGHT KIT	D4
OPTIONAL LIGHT KIT	D4
STREAMLINE JU2	D5-6
OPTIONAL SUN ROOF JN3	D1
OPTIONAL SUN ROOF JN6	D2
OPTIONAL WINDSHIELD JN3	C11
OPTIONAL WINDSHIELD JN6	C12
REAR ARM SUSPENSION	A5
REAR AXLE MOUNT WHEEL	B5
SEAT	C1-2
STEERING	A9
TRANSAXLE 1	B3-4
-MODELS IN THIS CATALOG	D7

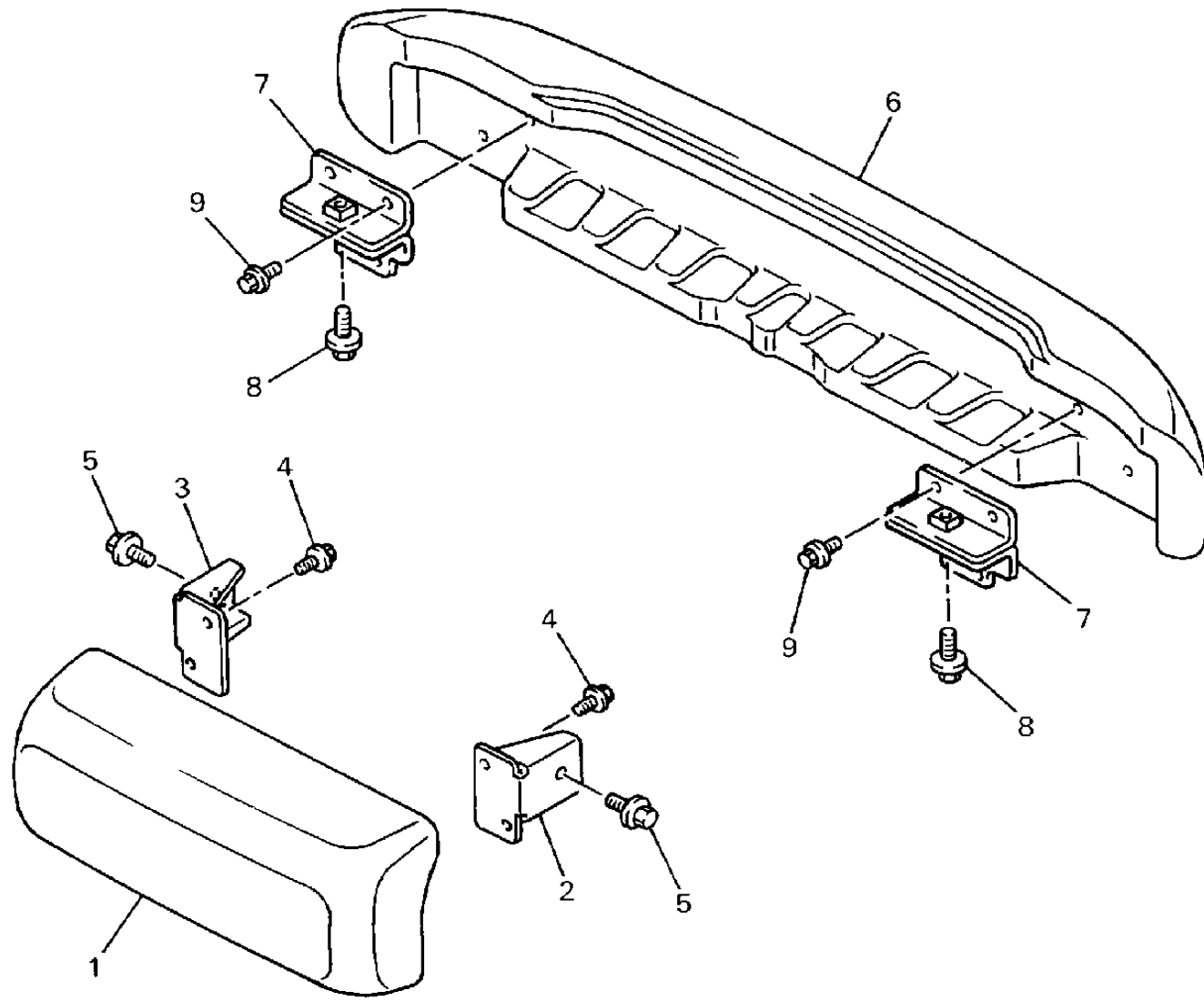
B5

BUMPER

Ref. No.	Part Number	Description	Qty	Remarks
1	JN3-K7510-02-00	FRONT BUMPER COMP.	1	
2	JN3-K8164-00-00	STAY, FRONT BUMPER	1	
3	JN3-K8165-00-00	STAY, FRONT BUMPER	1	
4	95817-06016-00	BOLT, FLANGE	4	
5	95817-08016-00	BOLT, FLANGE	2	
6	JN3-K7540-00-00	REAR BUMPER	1	
7	JN3-K8174-00-00	STAY, REAR BUMPER	2	
8	95817-10020-00	BOLT, FLANGE	2	
9	95817-06016-00	BOLT, FLANGE	4	

CONTENTS

ACCELERATOR	B2
BATTERY CHARGER	C8-9
BODY 1	B7-8
BODY 2	B9-10
BODY FITTING	B11
BRAKE 1	A10-11
BRAKE 2	A12
BRAKE 3	B1
BUMPER	B6
CARRIER	B12
CONTROLLER 1	C4-5
ELECTRIC MOTOR	C3
ELECTRICAL 1	C6-7
FRAME	A6
FRONT SUSPENSION WHEEL	A7-8
OPTIONAL GAUGES	D3
OPTIONAL HUB CAPS	C10
OPTIONAL LIGHT KIT	D4
OPTIONAL LIGHT KIT	D4
STREAMLINE JU2	D5-6
OPTIONAL SUN ROOF JN3	D1
OPTIONAL SUN ROOF JN6	D2
OPTIONAL WINDSHIELD JN3	C11
OPTIONAL WINDSHIELD JN6	C12
REAR ARM SUSPENSION	A5
REAR AXLE MOUNT WHEEL	B5
SEAT	C1-2
STEERING	A9
TRANSAXLE 1	B3-4
-MODELS IN THIS CATALOG	D7



JN6100-6170

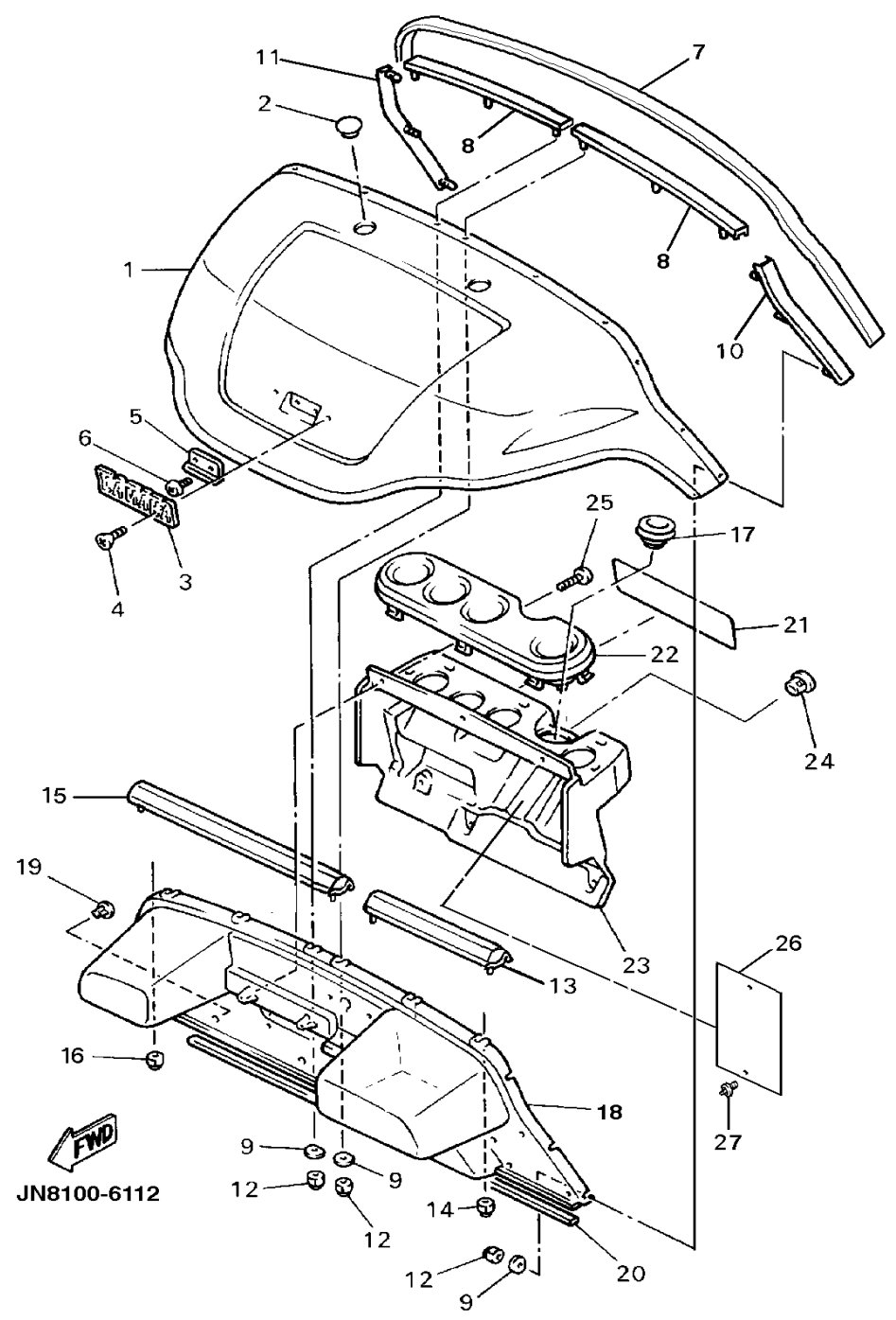
B6

BODY 1

Ref. No.	Part Number	Description	Qty	Remarks
1	JN3-K8115-00-00	COWL, FRONT	1	IVORY
	JN3-K8115-10-00	COWL, FRONT	1	RED
	JN3-K8115-20-00	COWL, FRONT	1	GRAY
	JN3-K8115-30-00	COWL, FRONT	1	TEAL
	JN3-K8115-50-00	COWL, FRONT	1	HUNTER GREEN
2	JN3-K818E-00-00	CAP, PROTECTOR	2	W/O SUNTOP
3	JN6-F4161-01-00	EMBLEM, 1	1	
4	90162-04002-00	SCREW, OVAL C	2	
5	JF2-K811G-00-00	BOLT, COWL FITTING	1	
6	98980-06016-00	SCREW, BINDING	2	
7	JF2-K811V-00-00	PROTECTOR 1	1	
8	JF2-K8261-02-00	PLATE, BODY PROTECTOR ..	2	
9	JN3-K8117-00-00	PLATE, 1	12	
10	JF2-K8262-01-00	PLATE, BODY PROTECTOR ..	1	
11	JF2-K8263-01-00	PLATE, BODY PROTECTOR ..	1	
12	90185-06836-00	NUT, SELF-LOCKING	12	
13	JN6-K8264-00-00	PLATE, BODY PROTECTOR ..	1	
14	95607-06200-00	NUT, U-FLANGE	2	
15	JN6-K8265-00-00	PLATE, BODY PROTECTOR ..	1	
16	95607-06200-00	NUT, U-FLANGE	2	
17	JN3-K8273-00-00	COVER, HOLE 1	1	
18	JF2-K8114-02-00	PANEL, FRONT	1	
19	90269-08069-00	RIVET	3	
20	JN3-K815G-00-00	SEAL, FRONT STORAGE	1	
21	JR1-K7768-00-00	LABEL, WARNING 8	1	UR FOR USA, SEE NOTE A
	JR1-K7768-10-00	LABEL, WARNING 8	1	UR FOR CANADA, SEE NOTE A
	JR1-K7768-20-00	LABEL, WARNING 8	1	UR FOR EUROPE, SEE NOTE A
22	JN3-K835E-00-00	HOLDER, BEVERAGE	1	

CONTENTS

ACCELERATOR	B2
BATTERY CHARGER	C8-9
BODY 1	B7-8
BODY 2	B9-10
BODY FITTING	B11
BRAKE 1	A10-11
BRAKE 2	A12
BRAKE 3	B1
BUMPER	B6
CARRIER	B12
CONTROLLER 1	C4-5
ELECTRIC MOTOR	C3
ELECTRICAL 1	C6-7
FRAME	A6
FRONT SUSPENSION WHEEL	A7-8
OPTIONAL GAUGES	D3
OPTIONAL HUB CAPS	C10
OPTIONAL LIGHT KIT	D4
OPTIONAL LIGHT KIT STREAMLINE JU2	D5-6
OPTIONAL SUN ROOF JN3	D1
OPTIONAL SUN ROOF JN6	D2
OPTIONAL WINDSHIELD JN3	C11
OPTIONAL WINDSHIELD JN6	C12
REAR ARM SUSPENSION	A5
REAR AXLE MOUNT WHEEL	B5
SEAT	C1-2
STEERING	A9
TRANSAXLE 1	B3-4
-MODELS IN THIS CATALOG	D7



NOTE A: When replacing "Housing Holder (JN3-K835G-00-00), you must also replace "Label Warning 8 (JN4-K7768-**-00).

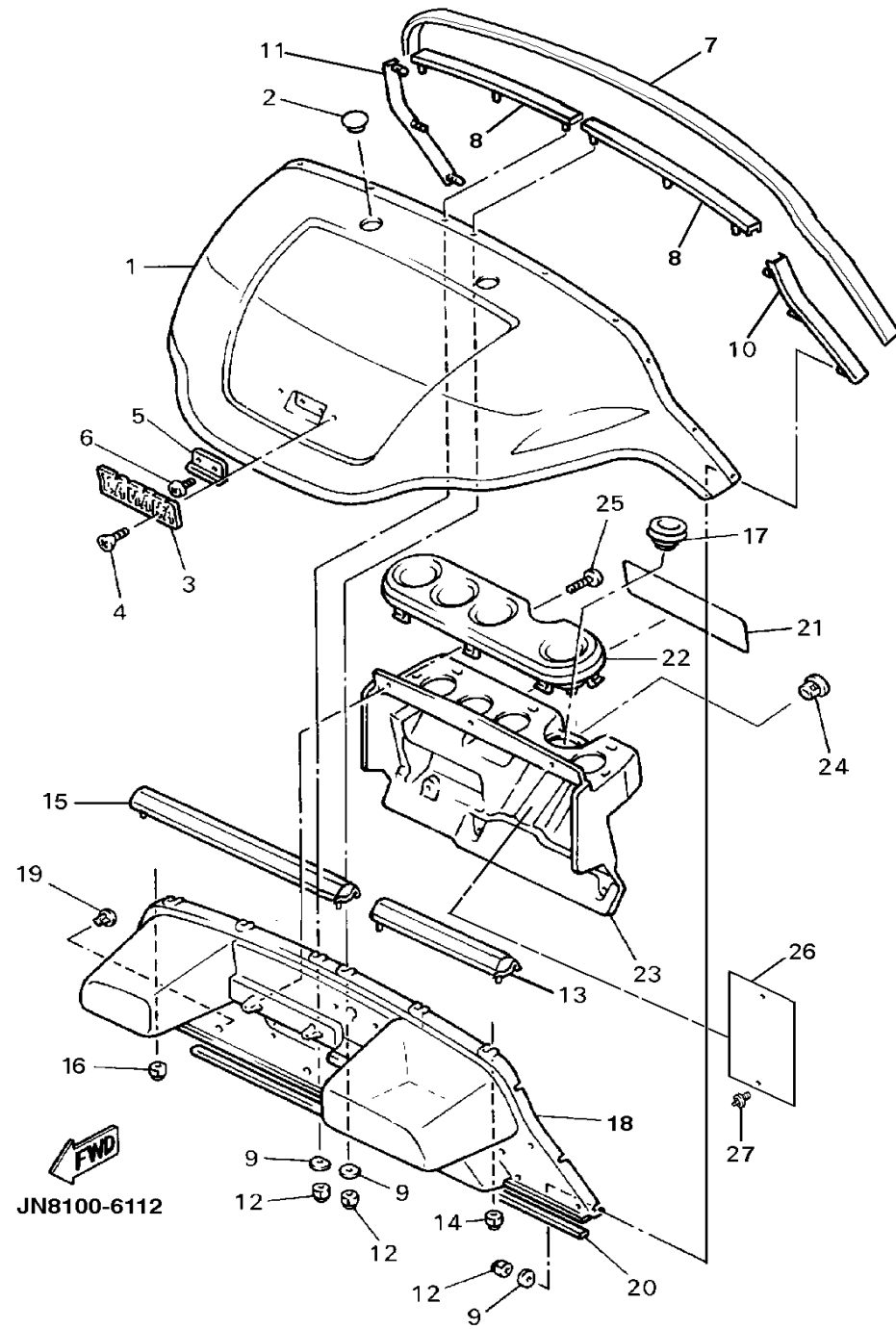
CONTINUED ON NEXT FRAME ►

BODY 1

Ref. No.	Part Number	Description	Qty	Remarks
23	JN3-K835G-00-00	HOUSING, HOLDER	1	SEE NOTE A
24	90338-14827-00	PLUG	1	
25	97707-60130-00	SCREW, PAN HEAD	6	
26	JN6-K8182-00-00	PLATE, 2	1	
27	90267-63047-00	RIVET, BLIND	2	

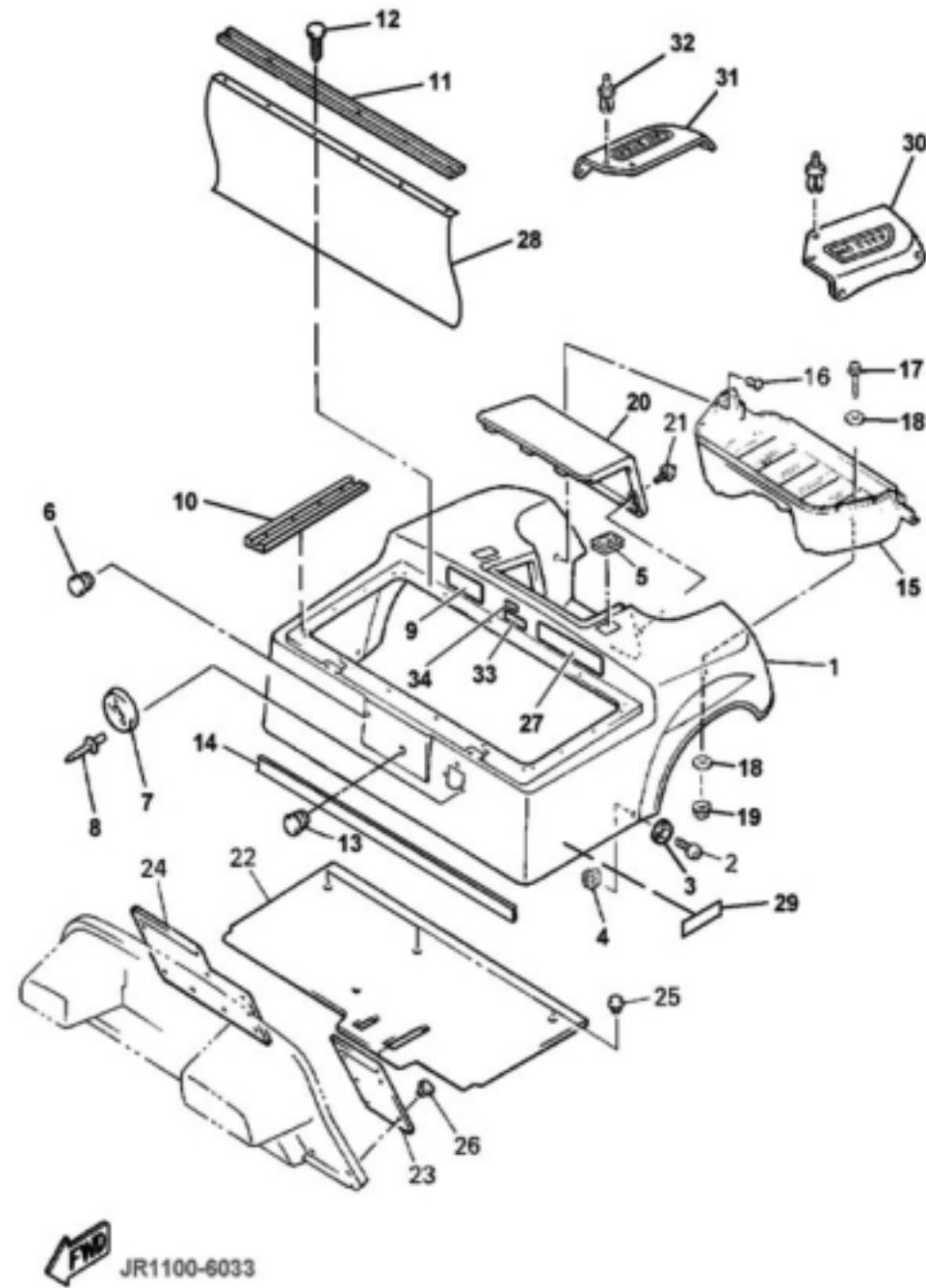
CONTENTS

ACCELERATOR	B2
BATTERY CHARGER	C8-9
BODY 1	B7-8
BODY 2	B9-10
BODY FITTING	B11
BRAKE 1	A10-11
BRAKE 2	A12
BRAKE 3	B1
BUMPER	B6
CARRIER	B12
CONTROLLER 1	C4-5
ELECTRIC MOTOR	C3
ELECTRICAL 1	C6-7
FRAME	A6
FRONT SUSPENSION WHEEL	A7-8
OPTIONAL GAUGES	D3
OPTIONAL HUB CAPS	C10
OPTIONAL LIGHT KIT	D4
OPTIONAL LIGHT KIT	D4
STREAMLINE JU2	D5-6
OPTIONAL SUN ROOF JN3	D1
OPTIONAL SUN ROOF JN6	D2
OPTIONAL WINDSHIELD JN3	C11
OPTIONAL WINDSHIELD JN6	C12
REAR ARM SUSPENSION	A5
REAR AXLE MOUNT WHEEL	B5
SEAT	C1-2
STEERING	A9
TRANSAXLE 1	B3-4
-MODELS IN THIS CATALOG	D7



NOTE A: When replacing "Housing Holder (JN3-K835G-00-00), you must also replace "Label Warning 8 (JN4-K7768-**-00).

BODY 2



NOTE "A": When replacing "Panel Rear Body JN4-K8142-**-00" you must also replace "Label Warning 5 JR1-K7765-00-00", and "Plate Caution 1 JN4-K8297-10-00".

Ref. No.	Part Number	Description	Qty	Remarks
1	JN4-K8142-00-00	PANEL, REAR BODY IVORY ..	1	IVORY, SEE NOTE A
	JN4-K8142-10-00	PANEL, REAR BODY RED	1	RED, SEE NOTE A
	JN4-K8142-20-00	PANEL, REAR BODY GRAY ..	1	GRAY, SEE NOTE A
	JN4-K8142-30-00	PANEL, REAR BODY HUNTER GREEN	1	TEAL, SEE NOTE A
	JN4-K8142-50-00	PANEL, REAR BODY	1	HUNTER GREEN, SEE NOTE A
2	90110-06200-00	BOLT, HEXAGON SOCKET ...	2	
3	90201-068H0-00	WASHER, PLAIN	2	
4	90183-06811-00	NUT, SPRING	2	
5	JN3-K8363-00-00	PROTECTOR	2	
6	90338-11831-00	PLUG	1	
7	JN4-K827A-00-00	GUIDE 1	1	
8	90267-60840-00	RIVET, BLIND	3	
9	JR1-K7765-00-00	LABEL, WARNING 5	1	SEE NOTE A
10	JN3-K8425-00-00	SEAL, SEAT	2	
11	JN3-K842A-00-00	SEAL, SEAT 2	2	
12	90338-05834-00	PLUG	20	
13	90338-25836-00	PLUG	1	
14	JN6-K824E-00-00	TRIM, REAR BODY	1	
15	JF2-K8237-00-00	COVER, REAR FLOOR	1	
16	90269-08069-00	RIVET	7	
17	90101-06876-00	BOLT, HEX. W/WASHER	2	JR1-000601~
18	90201-068G7-00	WASHER, PLAIN	2	JR1-000601~
19	90185-06836-00	NUT, SELF-LOCKING	1	JR1-000601~
20	JN3-K8151-00-00	PANEL, INSPECTION	1	
21	90267-36853-00	RIVET, BLIND	2	
22	JN6-K8233-00-00	MAT MAIN FLOOR 3	1	
23	JN6-K8231-00-00	MAT MAIN FLOOR 1	1	
24	JN6-K8232-00-00	MAT MAIN FLOOR 2	1	
25	90269-08813-00	RIVET	4	

CONTENTS

ACCELERATOR	B2
BATTERY CHARGER	C8-9
BODY 1	B7-8
BODY 2	B9-10
BODY FITTING	B11
BRAKE 1	A10-11
BRAKE 2	A12
BRAKE 3	B1
BUMPER	B6
CARRIER	B12
CONTROLLER 1	C4-5
ELECTRIC MOTOR	C3
ELECTRICAL 1	C6-7
FRAME	A6
FRONT SUSPENSION WHEEL	A7-8
OPTIONAL GAUGES	D3
OPTIONAL HUB CAPS	C10
OPTIONAL LIGHT KIT	D4
OPTIONAL LIGHT KIT STREAMLINE JU2	D5-6
OPTIONAL SUN ROOF JN3	D1
OPTIONAL SUN ROOF JN6	D2
OPTIONAL WINDSHIELD JN3	C11
OPTIONAL WINDSHIELD JN6	C12
REAR ARM SUSPENSION	A5
REAR AXLE MOUNT WHEEL	B5
SEAT	C1-2
STEERING	A9
TRANSAXLE 1	B3-4
~MODELS IN THIS CATALOG	D7

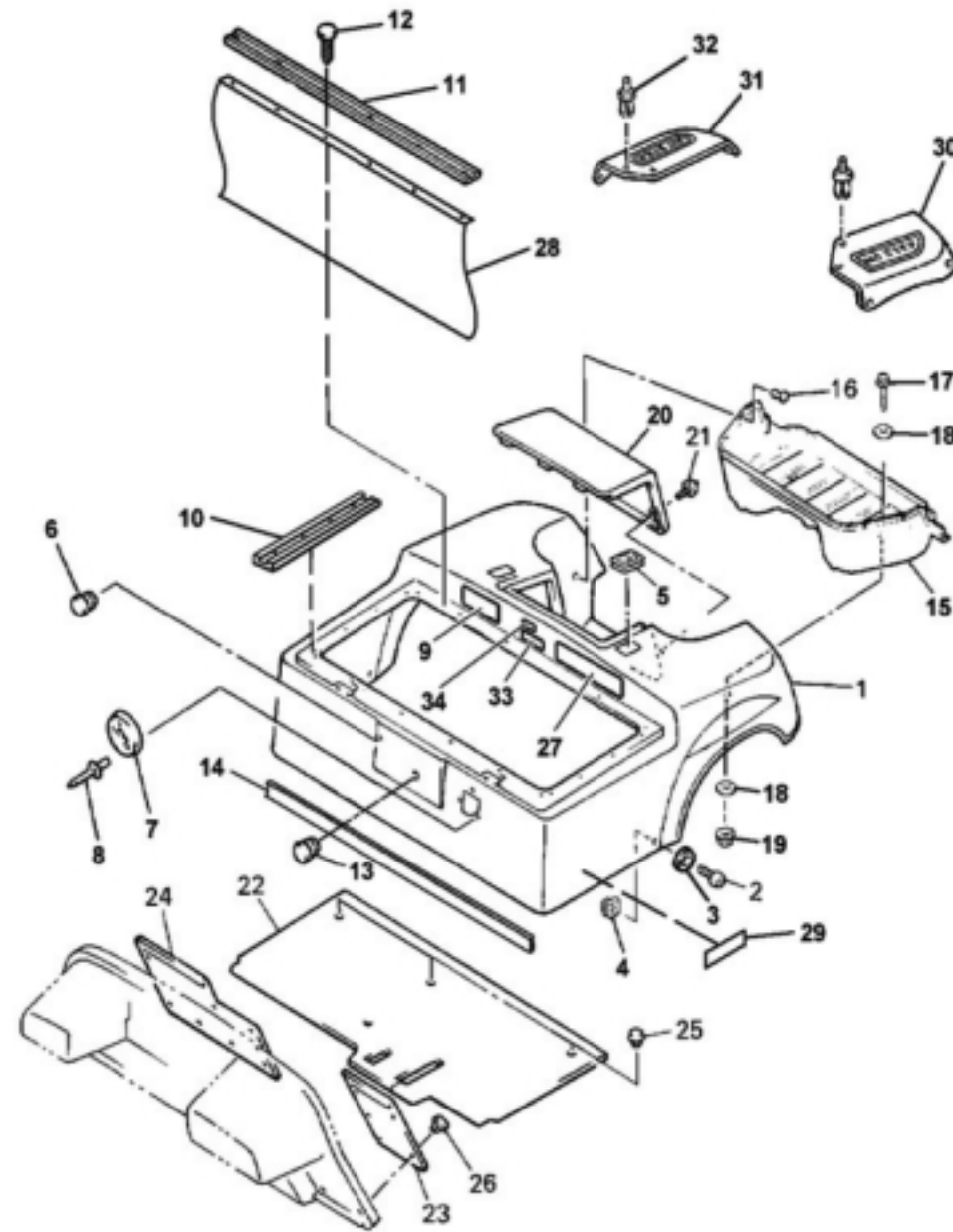
CONTINUED ON NEXT FRAME ➤

BODY 2

Ref. No.	Part Number	Description	Qty	Remarks
26	90267-63047-00	RIVET, BLIND	9	
27	JN4-K8297-10-00	PLATE, CAUTION 1	1	SEE NOTE A
28	JN8-K836A-00-00	PROTECTOR 2	1	JR1-202001~
29	JR1-K8291-00-00	EMBLEM, 1	2	
30	JN3-K8243-00-00	MAT, BODY SIDE LEFT	1	JR1-100101~
31	JN3-K8244-00-00	MAT, BODY SIDE RIGHT	1	JR1-100101~
32	90269-07810-00	RIVET	10	JR1-100101~
33	JN8-F4236-01-00	MARK 2	1	JR1-000101~002300
	JN8-F4236-10-00	MARK 2	1	JR1-100101~105600
	JN8-F4236-20-00	MARK 2	1	JR1-200101~205100
	JN8-F4236-30-00	MARK 2	1	JR1-300101~306500
	JN8-F4236-40-00	MARK 2	1	JR1-400101~
34	JN6-F4239-00-00	MARK 5	1	

CONTENTS

ACCELERATOR	B2
BATTERY CHARGER	C8-9
BODY 1	B7-8
BODY 2	B9-10
BODY FITTING	B11
BRAKE 1	A10-11
BRAKE 2	A12
BRAKE 3	B1
BUMPER	B6
CARRIER	B12
CONTROLLER 1	C4-5
ELECTRIC MOTOR	C3
ELECTRICAL 1	C6-7
FRAME	A6
FRONT SUSPENSION WHEEL	A7-8
OPTIONAL GAUGES	D3
OPTIONAL HUB CAPS	C10
OPTIONAL LIGHT KIT	D4
OPTIONAL LIGHT KIT	
STREAMLINE JU2	D5-6
OPTIONAL SUN ROOF JN3	D1
OPTIONAL SUN ROOF JN6	D2
OPTIONAL WINDSHIELD JN3	C11
OPTIONAL WINDSHIELD JN6	C12
REAR ARM SUSPENSION	A5
REAR AXLE MOUNT WHEEL	B5
SEAT	C1-2
STEERING	A9
TRANSAXLE 1	B3-4
-MODELS IN THIS CATALOG	D7



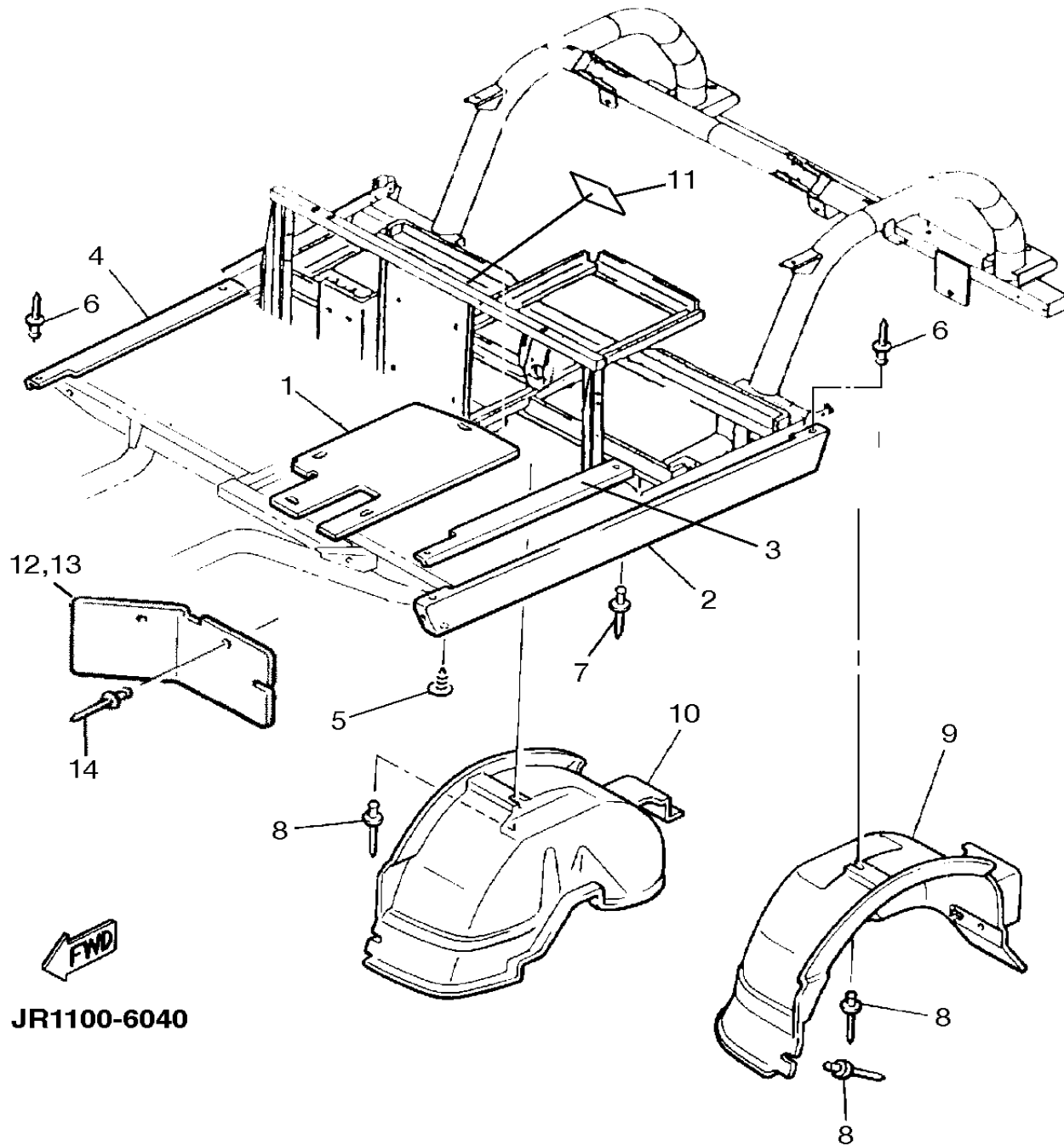
NOTE "A": When replacing "Panel Rear Body JN4-K8142-**-00" you must also replace "Label Warning 5 JR1-K7765-00-00", and "Plate Caution 1 JN4-K8297-10-00".

BODY FITTING

Ref. No.	Part Number	Description	Qty	Remarks
1	JN6-K8271-00-00	SERVICE LID	1	
2	JF2-K818A-00-00	PROTECTOR, SIDE	2	
3	JF2-K8215-10-00	PLATE, SIDE TRIM	1	
4	JF2-K821F-10-00	PLATE, SIDE TRIM	1	
5	90338-05829-00	PLUG	6	
6	90267-48154-00	RIVET, BLIND	4	
7	90267-48831-00	RIVET, BLIND	4	
8	90267-48086-00	RIVET, BLIND	4	
9	JF2-K8191-00-00	PANEL, REAR FENDER	1	
10	JF2-K8192-00-00	PANEL, REAR FENDER	1	
11	JR1-K8298-10-00	PLATE, CAUTION 2	1	UR, USA, SEE NOTE A
	JR1-K8298-20-00	PLATE, CAUTION 2	1	UR, CANADA & EUROPE, SEE NOTE A
12	JF2-K8187-00-00	FLAP, FRONT FENDER LEFT	1	
13	JF2-K8189-00-00	FLAP, FRONT FENDER RIGHT	1	
14	90267-48831-00	RIVET, BLIND	4	

CONTENTS

ACCELERATOR	B2
BATTERY CHARGER	C8-9
BODY 1	B7-8
BODY 2	B9-10
BODY FITTING	B11
BRAKE 1	A10-11
BRAKE 2	A12
BRAKE 3	B1
BUMPER	B6
CARRIER	B12
CONTROLLER 1	C4-5
ELECTRIC MOTOR	C3
ELECTRICAL 1	C6-7
FRAME	A6
FRONT SUSPENSION WHEEL	A7-8
OPTIONAL GAUGES	D3
OPTIONAL HUB CAPS	C10
OPTIONAL LIGHT KIT	D4
OPTIONAL LIGHT KIT STREAMLINE JU2	D5-6
OPTIONAL SUN ROOF JN3	D1
OPTIONAL SUN ROOF JN6	D2
OPTIONAL WINDSHIELD JN3	C11
OPTIONAL WINDSHIELD JN6	C12
REAR ARM SUSPENSION	A5
REAR AXLE MOUNT WHEEL	B5
SEAT	C1-2
STEERING	A9
TRANSAXLE 1	B3-4
-MODELS IN THIS CATALOG	D7



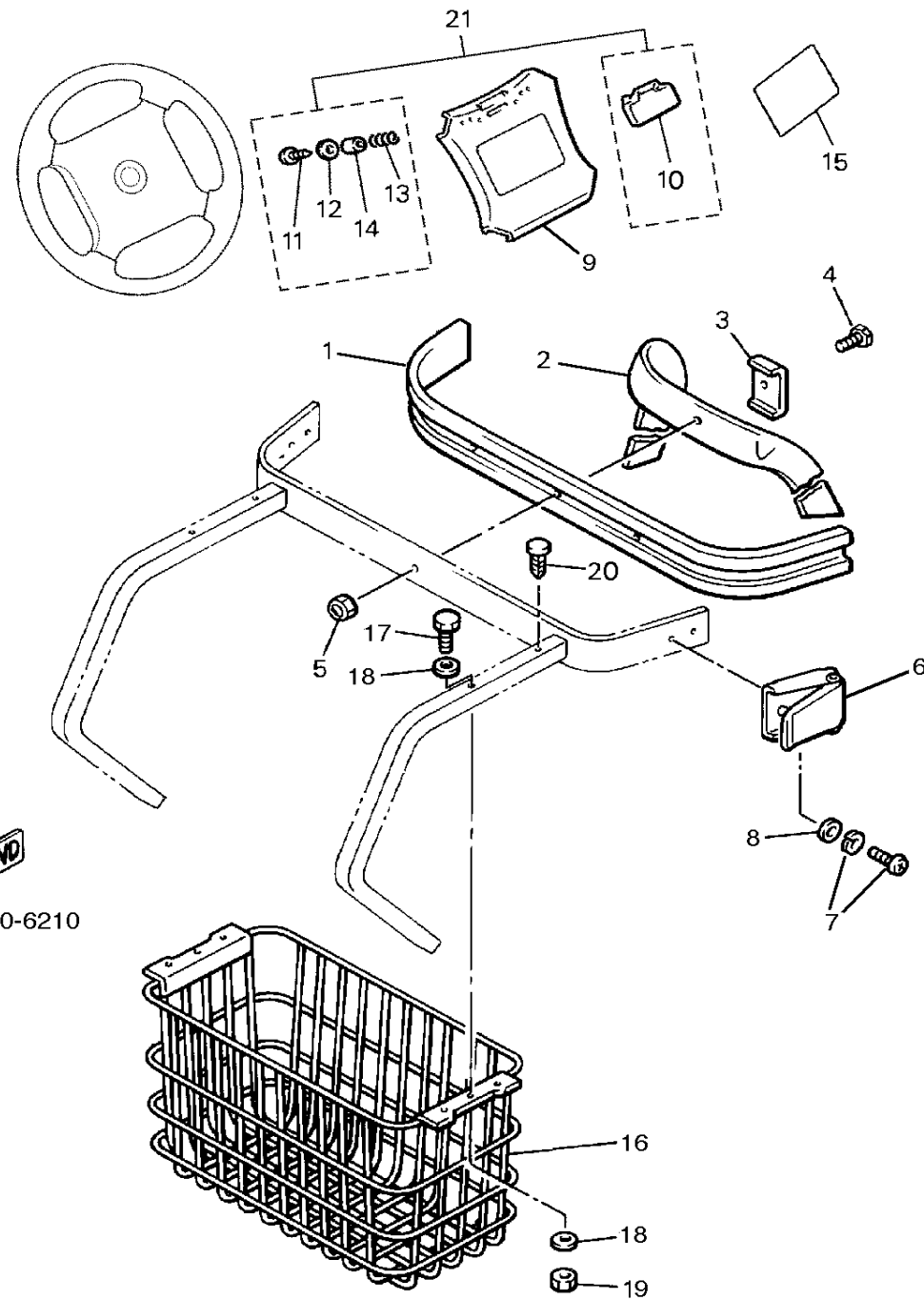
NOTE A: When replacing "Frame Comp. JR1-F2501-02-00", you must also replace "Plate Caution 2, JR1-K8298-**-00".

CARRIER

CONTENTS

ACCELERATOR	B2
BATTERY CHARGER	C8-9
BODY 1	B7-8
BODY 2	B9-10
BODY FITTING	B11
BRAKE 1	A10-11
BRAKE 2	A12
BRAKE 3	B1
BUMPER	B6
CARRIER	B12
CONTROLLER 1	C4-5
ELECTRIC MOTOR	C3
ELECTRICAL 1	C6-7
FRAME	A6
FRONT SUSPENSION WHEEL	A7-8
OPTIONAL GAUGES	D3
OPTIONAL HUB CAPS	C10
OPTIONAL LIGHT KIT	D4
OPTIONAL LIGHT KIT STREAMLINE JU2	D5-6
OPTIONAL SUN ROOF JN3	D1
OPTIONAL SUN ROOF JN6	D2
OPTIONAL WINDSHIELD JN3	C11
OPTIONAL WINDSHIELD JN6	C12
REAR ARM SUSPENSION	A5
REAR AXLE MOUNT WHEEL	B5
SEAT	C1-2
STEERING	A9
TRANSAXLE 1	B3-4
-MODELS IN THIS CATALOG	D7

Ref. No.	Part Number	Description	Qty	Remarks
1	JF2-K8356-00-00	PAD, BAG SUPPORT	1	
2	JF2-K8355-00-00	BAND	1	
3	J38-78367-00-00	PLATE, ANCHOR	1	
4	90101-06865-00	BOLT, HEX	1	
5	90185-06836-00	NUT, SELF-LOCKING	1	
6	JN6-K8380-00-00	LOCK ASSY	2	
7	90159-06845-00	SCREW, WITH WASHER	4	
8	9299R-06200-00	WASHER, PLAIN	4	
9	JN3-K8357-00-00	HOLDER, 1	1	SEE NOTE A
10	JN6-K8358-00-00	HOLDER, 2	1	
11	97707-40525-00	SCREW, PAN HEAD	2	
12	90201-044H9-00	WASHER, PLAIN	2	
13	90502-10013-00	SPRING, CONICAL	2	
14	90387-046N7-00	COLLAR	2	
15	JN3-K7762-01-00	LABEL, WARNING 2	1	UR, FOR USA, SEE NOTE A
	JN3-K7762-10-00	LABEL, WARNING 2	1	UR, FOR CANADA, SEE NOTE A
	JN3-K7762-20-00	LABEL, WARNING 2	1	UR, FOR EUROPE, SEE NOTE A
16	JN3-K8340-00-00	LUGGAGE RACK	1	
17	90111-08803-00	BOLT, HEX. SOCKET	2	
18	90201-08103-00	WASHER, PLAIN	4	
19	90185-08832-00	NUT, SELF-LOCKING	2	
20	90338-09828-00	PLUG	2	
21	JN6-K8358-00-KT	SCORECARD HOLDER KIT	1	SEE NOTE B



NOTE A: When replacing "Holder 1, JN3-K8557-00-00", you must also replace "Label warning 2, JN3-K7762-**-00".

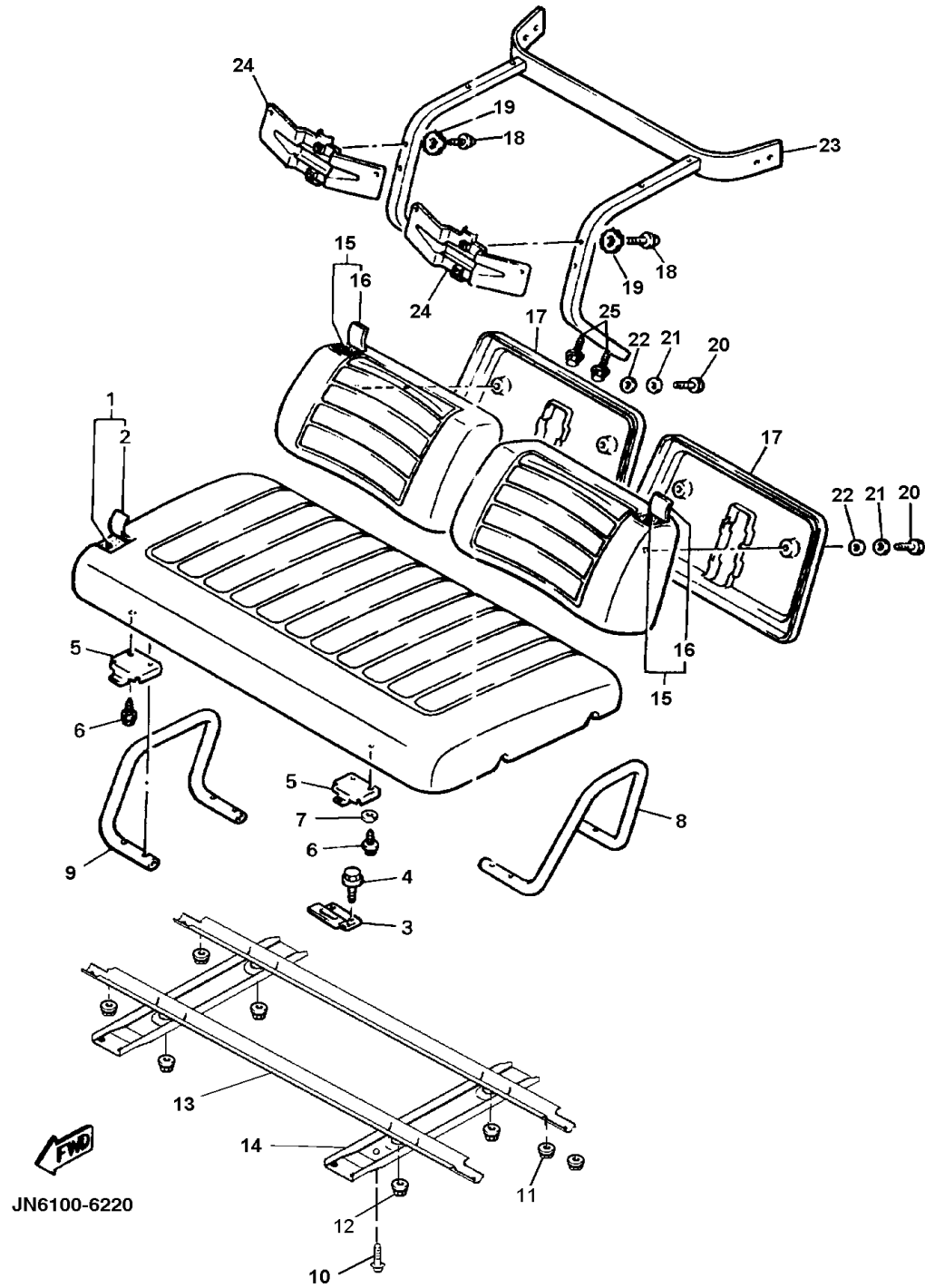
NOTE B: Includes 10, 11, 12 and 13.

SEAT

Ref. No.	Part Number	Description	Qty	Remarks
1	JN6-K8401-00-00	CUSHION SEAT	1	UR ~JR1-300100
	JN6-K8401-10-00	CUSHION SEAT	1	UR JR1-300101~
2	JN6-K8404-09-00	. COVER, SEAT	1	UR ~JR1-300100, FOR -00 SEAT
	JN6-K8404-10-00	. COVER, SEAT	1	UR JR1-300101~, FOR -10 SEAT
3	JF2-K8427-00-00	HINGE, SEAT FEMALE	2	
4	90105-06903-00	BOLT, FLANGE	4	
5	JN3-K8426-00-00	HINGE, SEAT MALE	2	UR ~JR1-202000
	JN3-K8426-01-00	HINGE, SEAT MALE	2	UR ~JR1-202001~
6	97095-05012-00	BOLT HEX HEAD	4	UR ~JR1-202000
	90111-06810-00	BOLT, BUTTON	4	UR ~JR1-202001~
7	92990-05100-00	WASHER, SPRING	4	UR ~JR1-202000
	90204-06870-00	WASHER, LOCK	4	UR ~JR1-202001~
8	JN3-K8361-00-00	ARM REST	1	
9	JN6-K8362-00-00	ARM REST 2	1	
10	90167-04815-00	SCREW, P/H TAPPING	4	
11	90185-08839-00	NUT, SELF-LOCKING	8	
12	95607-08200-00	NUT, U-FLANGE	4	
13	JN6-K8121-00-00	REINFORCEMENT 1	2	
14	JN6-K8122-00-00	REINFORCEMENT 2	2	~JR1-202000 NOT AVAILABLE, USE -01, SEE NOTE A
	JN6-K8122-01-00	REINFORCEMENT 2	2	JR1-202001~ SEE NOTE A
15	JN3-K8402-00-00	BACK, SEAT SUB	2	
16	JN3-K841G-09-00	. COVER, SEAT BACK 2	1	
17	JN3-K8413-00-00	COVER, SEAT BACK	2	
18	90119-08820-00	BOLT, HEX WITH WASHER	4	
19	90201-098J4-00	WASHER, PLAIN	4	
20	95880-06025-00	BOLT, FLANGE	4	

CONTENTS

ACCELERATOR	B2
BATTERY CHARGER	C8-9
BODY 1	B7-8
BODY 2	B9-10
BODY FITTING	B11
BRAKE 1	A10-11
BRAKE 2	A12
BRAKE 3	B1
BUMPER	B6
CARRIER	B12
CONTROLLER 1	C4-5
ELECTRIC MOTOR	C3
ELECTRICAL 1	C6-7
FRAME	A6
FRONT SUSPENSION WHEEL	A7-8
OPTIONAL GAUGES	D3
OPTIONAL HUB CAPS	C10
OPTIONAL LIGHT KIT	D4
OPTIONAL LIGHT KIT STREAMLINE JU2	D5-6
OPTIONAL SUN ROOF JN3	D1
OPTIONAL SUN ROOF JN6	D2
OPTIONAL WINDSHIELD JN3	C11
OPTIONAL WINDSHIELD JN6	C12
REAR ARM SUSPENSION	A5
REAR AXLE MOUNT WHEEL	B5
SEAT	C1-2
STEERING	A9
TRANSAXLE 1	B3-4
~MODELS IN THIS CATALOG	D7



NOTE A: When using -01 REINF 2 on units prior to JR1-202001, you must also use ref. #5, Hinge, Seat Male (JN3 -K8426-01-00), #6 Bolt Button (90111-06810-00) and #7 Washer, Lock (90204-06870-00).

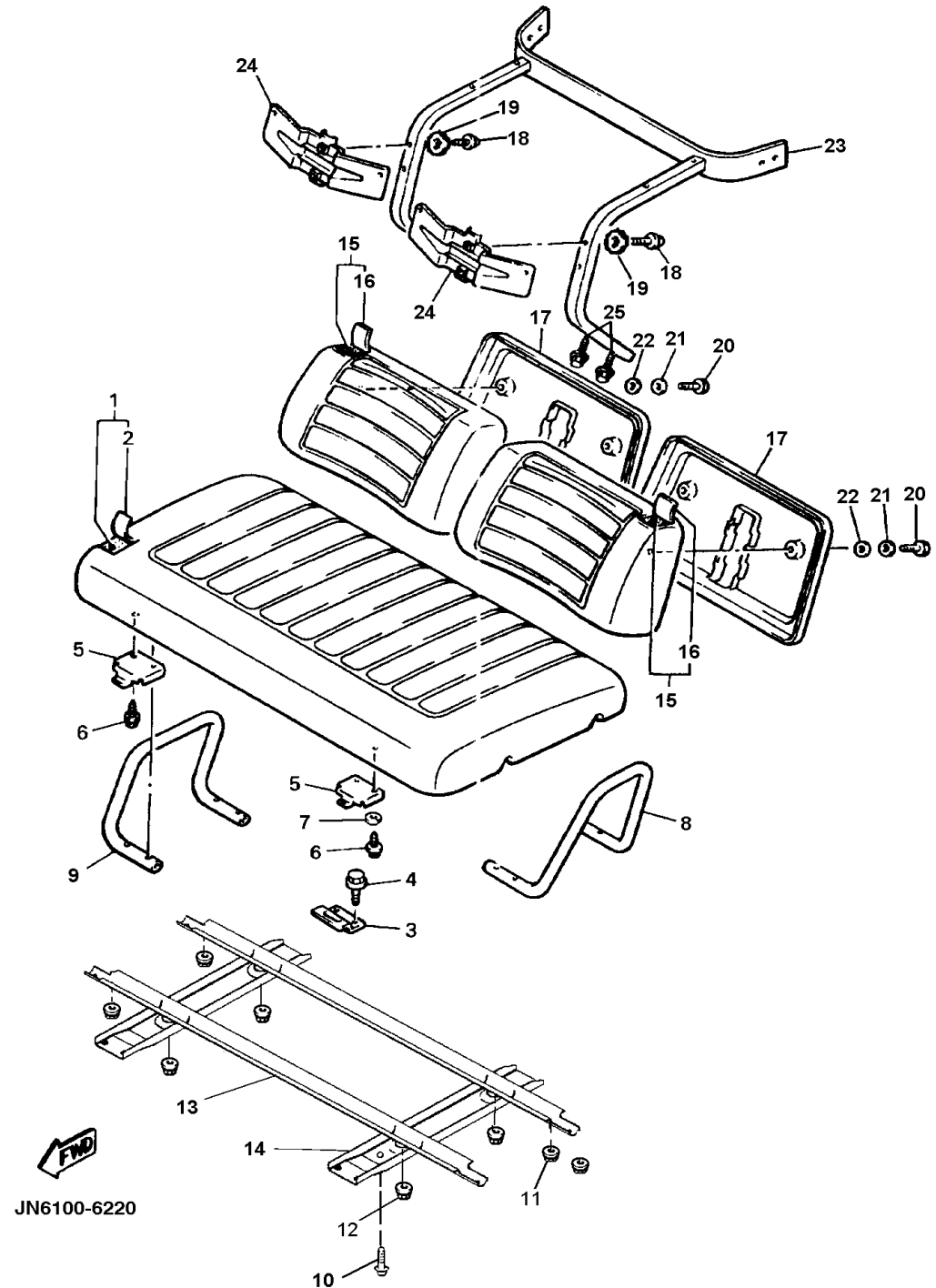
CONTINUED ON NEXT FRAME ►

SEAT

Ref. No.	Part Number	Description	Qty	Remarks
21	90201-068G0-00	WASHER, PLAIN	4	
22	90201-068G6-00	WASHER, PLAIN	4	
23	JN3-K8423-11-00	SUPPORT, SEAT BACK	1	
24	JN3-K842H-00-00	RETAINER, SEAT	2	
25	95817-08045-00	BOLT, FLANGE	4	

CONTENTS

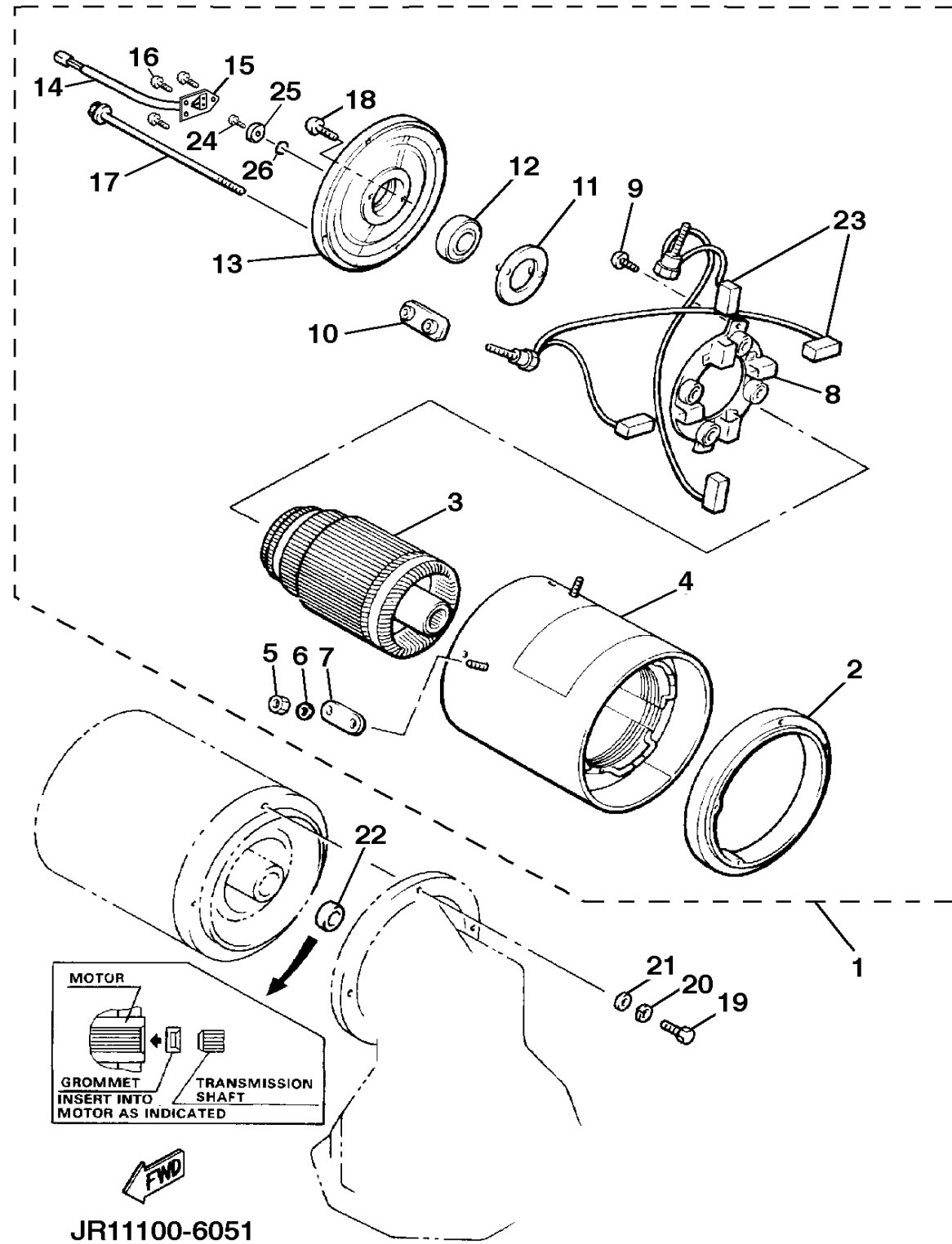
ACCELERATOR	B2
BATTERY CHARGER	C8-9
BODY 1	B7-8
BODY 2	B9-10
BODY FITTING	B11
BRAKE 1	A10-11
BRAKE 2	A12
BRAKE 3	B1
BUMPER	B6
CARRIER	B12
CONTROLLER 1	C4-5
ELECTRIC MOTOR	C3
ELECTRICAL 1	C6-7
FRAME	A6
FRONT SUSPENSION WHEEL	A7-8
OPTIONAL GAUGES	D3
OPTIONAL HUB CAPS	C10
OPTIONAL LIGHT KIT	D4
OPTIONAL LIGHT KIT STREAMLINE JU2	D5-6
OPTIONAL SUN ROOF JN3	D1
OPTIONAL SUN ROOF JN6	D2
OPTIONAL WINDSHIELD JN3	C11
OPTIONAL WINDSHIELD JN6	C12
REAR ARM SUSPENSION	A5
REAR AXLE MOUNT WHEEL	B5
SEAT	C1-2
STEERING	A9
TRANSAXLE 1	B3-4
-MODELS IN THIS CATALOG	D7



JN6100-6220

NOTE A: When using -01 REINF 2 on units prior to JR1-202001, you must also use ref. #5, Hinge, Seat Male (JN3 -K8426-01-00), #6 Bolt Button (90111-06810-00) and #7 Washer, Lock (90204-06870-00).

ELECTRIC MOTOR

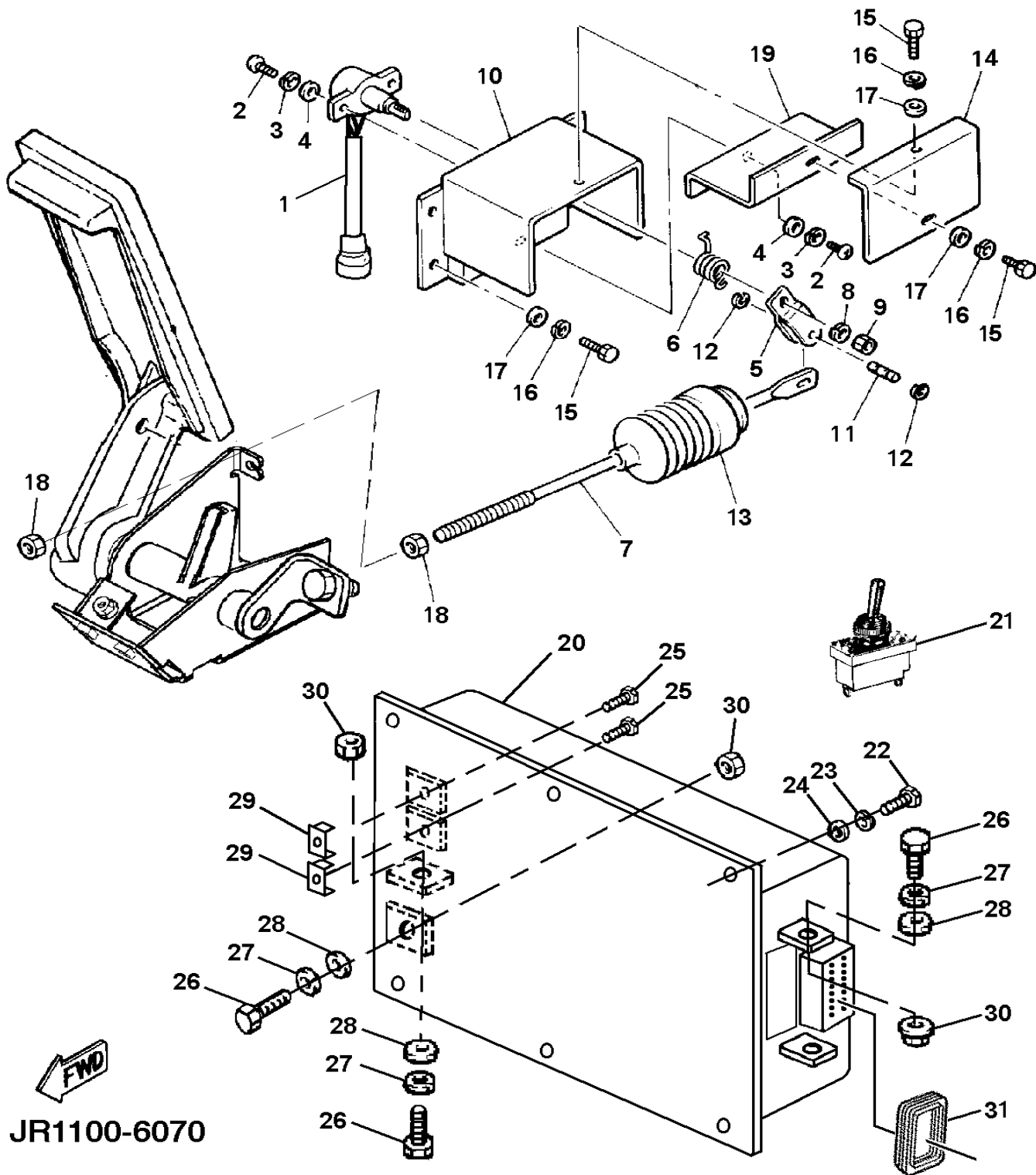


Ref. No.	Part Number	Description	Qty	Remarks
1	JR1-H1890-00-00	MOTOR ASSEMBLY.	1	
2	JH7-H183J-00-00	. BRACKET, FRONT	1	
3	JR1-H1850-00-00	. ARMATURE ASSEMBLY	1	
4	JR1-H1160-00-00	. FIELD COIL ASSEMBLY	1	
5	JH7-H1872-00-00	. NUT, SPECIAL	4	
6	92990-08200-00	. WASHER, PLAIN	4	
7	JR1-H1843-00-00	. WASHER, 1	2	
8	JR1-H1840-00-00	. BRUSH HOLDER	1	
9	JG6-H1848-00-00	. SCREW, BRUSH HOLDER ...	2	
10	JG6-H1824-00-00	. WASHER 2	2	
11	JH7-H1856-00-00	. BEARING	1	
12	J56-H1857-00-00	. RETAINER	1	
13	JR1-H1822-00-00	. BRACKET, ELECTRIC	1	
14	JR1-H1670-00-00	. PICK-UP ASSEMBLY	1	
15	JR1-H1639-00-00	. COVER	1	
16	JR1-H1645-00-00	. SCREW 1	3	
17	JR1-H1828-00-00	. BOLT 2	4	
18	JH7-H1846-00-00	. SCREW	2	
19	90101-06857-00	BOLT	3	
20	90215-06811-00	WASHER, LOCK	3	
21	90201-068E2-00	WASHER, PLATE	3	
22	JH7-H1829-00-00	GROMMET	1	
23	JH7-H1801-00-00	BRUSH SET	1	
24	JR1-H1826-00-00	BOLT	1	
25	JR1-H181K-00-00	MAGNET	1	
26	JR1-H812L-00-00	O-RING	1	

CONTENTS

ACCELERATOR	B2
BATTERY CHARGER	C8-9
BODY 1	B7-8
BODY 2	B9-10
BODY FITTING	B11
BRAKE 1	A10-11
BRAKE 2	A12
BRAKE 3	B1
BUMPER	B6
CARRIER	B12
CONTROLLER 1	C4-5
ELECTRIC MOTOR	C3
ELECTRICAL 1	C6-7
FRAME	A6
FRONT SUSPENSION WHEEL	A7-8
OPTIONAL GAUGES	D3
OPTIONAL HUB CAPS	C10
OPTIONAL LIGHT KIT	D4
OPTIONAL LIGHT KIT	
STREAMLINE JU2	D5-6
OPTIONAL SUN ROOF JN3	D1
OPTIONAL SUN ROOF JN6	D2
OPTIONAL WINDSHIELD JN3	C11
OPTIONAL WINDSHIELD JN6	C12
REAR ARM SUSPENSION	A5
REAR AXLE MOUNT WHEEL	B5
SEAT	C1-2
STEERING	A9
TRANSAXLE 1	B3-4
-MODELS IN THIS CATALOG	D7

CONTROLLER 1



JR1100-6070

Ref. No.	Part Number	Description	Qty	Remarks
1	JR1-85885-00-00	THROTTLE SENSOR ASSY	1	
2	98507-05316-00	SCREW, PAN HEAD	3	
3	92907-05100-00	WASHER, LOCK	3	
4	92907-05600-00	WASHER	3	
5	JF3-2625H-00-00	ARM, THROTTLE	1	
6	JF3-27825-00-00	SPRING, RETURN	1	
7	JN4-F7241-00-00	ROD, JOINT	1	
8	92907-06100-00	WASHER, SPRING	1	
9	95307-06600-00	NUT, HEX	1	
10	JF3-27981-00-00	BRACKET, THROTTLE	1	
11	JF3-27813-00-00	PIN, PEDAL CRANK	1	
12	99001-04600-00	CIRCLIP (E)	2	
13	JN4-F7486-00-00	COVER, 1	1	
14	JF3-27487-00-00	COVER 2	1	
15	97017-05616-00	BOLT, HEX. HEAD	6	
16	92907-05100-00	WASHER, LOCK	6	
17	92907-05600-00	WASHER	6	
18	95307-08700-00	NUT, HEX	2	
19	JF3-27445-00-00	PLATE 1	1	
20	JR1-H6510-10-00	CONTROL UNIT	1	
21	JR1-H2727-00-00	SWITCH, TOW/STORAGE	1	
22	97017-06020-00	BOLT	4	
23	92907-06100-00	WASHER, SPRING	4	
24	92907-06600-00	WASHER, PLAIN	4	
25	90119-04824-00	BOLT, WITH WASHER	2	
26	97017-08016-00	BOLT	4	
27	92907-08100-00	WASHER, SPRING	4	
28	92907-08600-00	WASHER, PLATE	4	
29	90183-04815-00	NUT, SPRING	2	
30	95707-08500-00	NUT, FLANGE	4	

CONTENTS

ACCELERATOR	B2
BATTERY CHARGER	C8-9
BODY 1	B7-8
BODY 2	B9-10
BODY FITTING	B11
BRAKE 1	A10-11
BRAKE 2	A12
BRAKE 3	B1
BUMPER	B6
CARRIER	B12
CONTROLLER 1	C4-5
ELECTRIC MOTOR	C3
ELECTRICAL 1	C6-7
FRAME	A6
FRONT SUSPENSION WHEEL	A7-8
OPTIONAL GAUGES	D3
OPTIONAL HUB CAPS	C10
OPTIONAL LIGHT KIT	D4
OPTIONAL LIGHT KIT	
STREAMLINE JU2	D5-6
OPTIONAL SUN ROOF JN3	D1
OPTIONAL SUN ROOF JN6	D2
OPTIONAL WINDSHIELD JN3	C11
OPTIONAL WINDSHIELD JN6	C12
REAR ARM SUSPENSION	A5
REAR AXLE MOUNT WHEEL	B5
SEAT	C1-2
STEERING	A9
TRANSAXLE 1	B3-4
-MODELS IN THIS CATALOG	D7

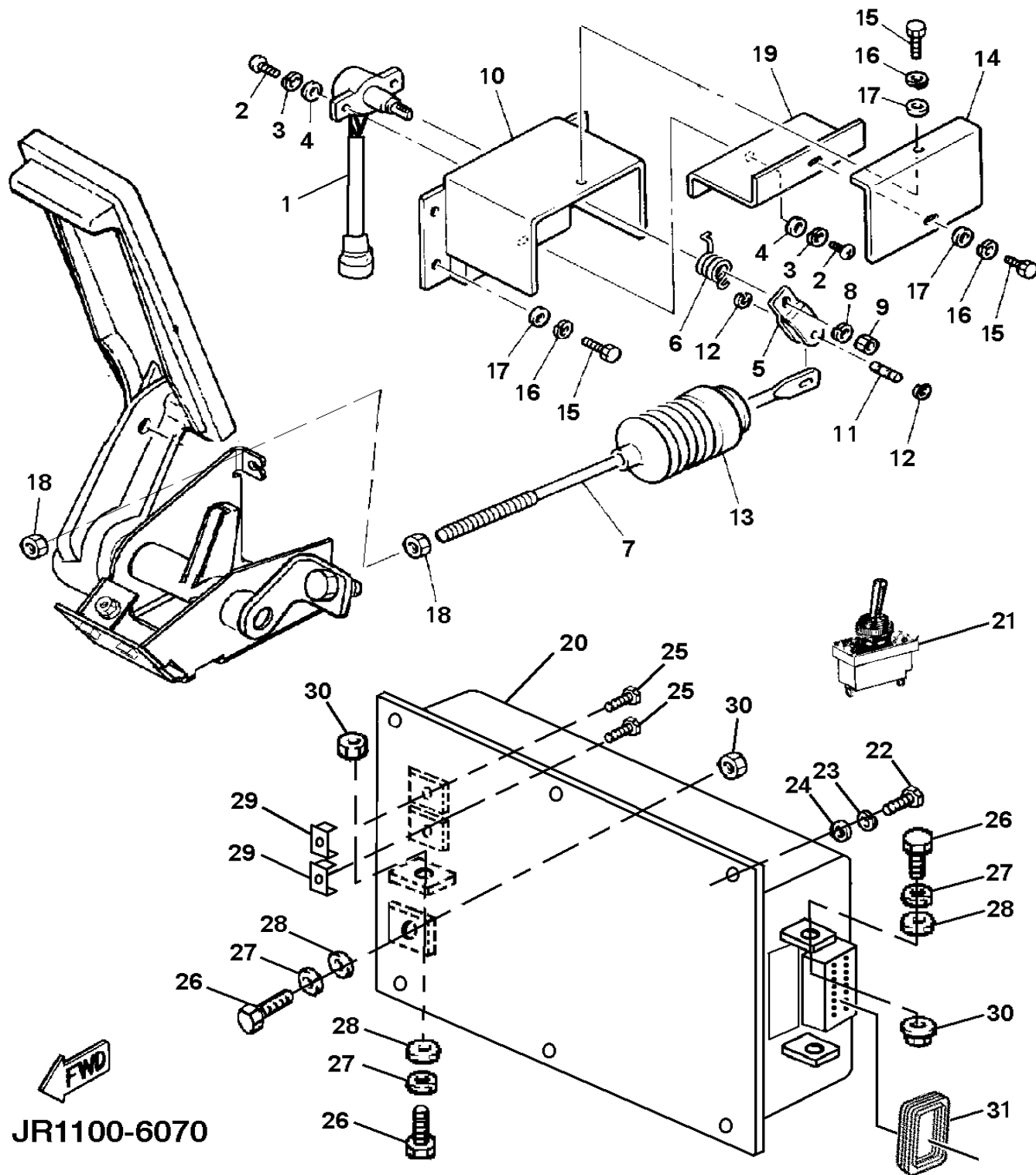
CONTINUED ON NEXT FRAME ►

CONTROLLER 1

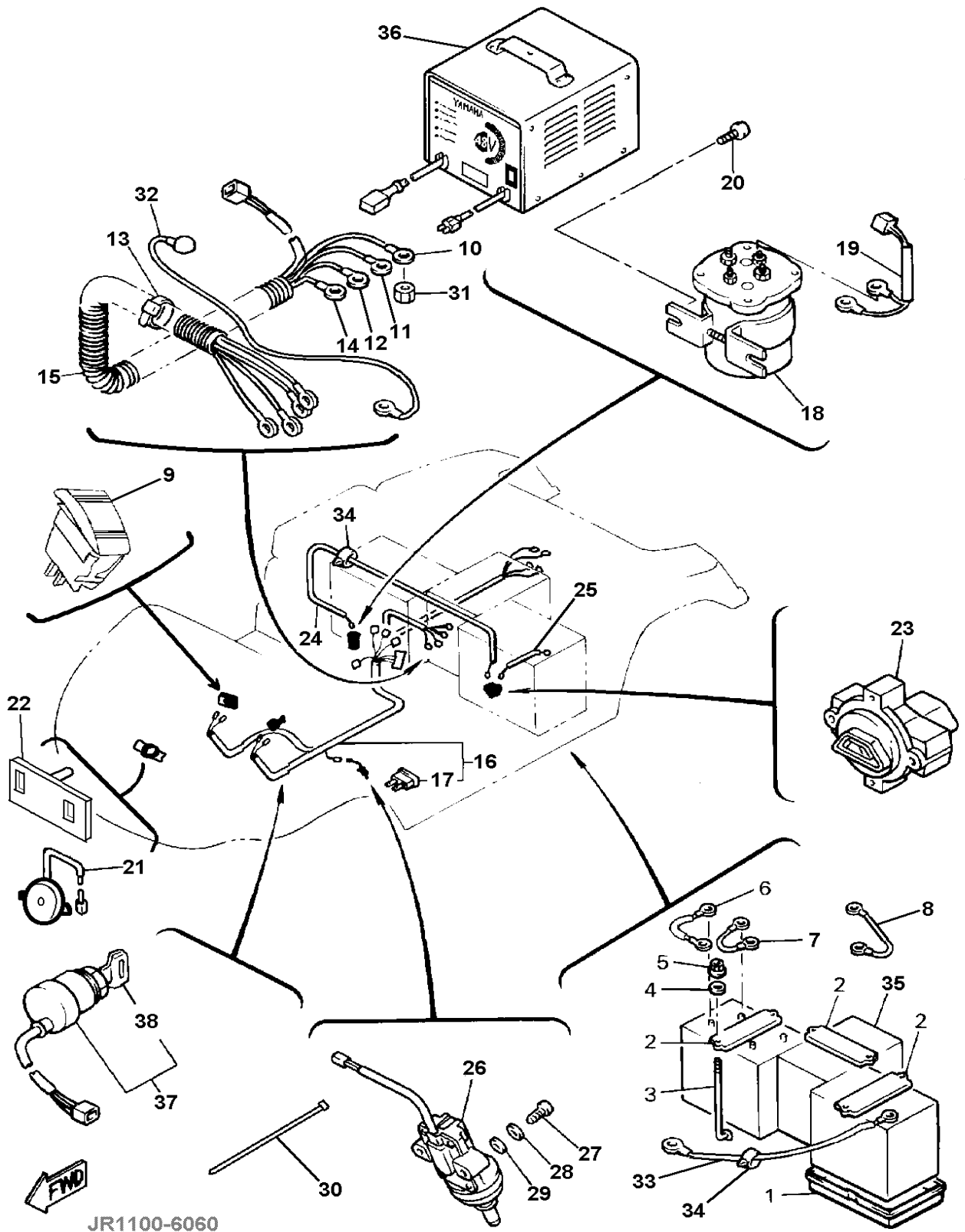
Ref. No.	Part Number	Description	Qty	Remarks
31	JR1-H215D-00-00	SEAL MCU, CANNON PLUG . . .	1	

CONTENTS

ACCELERATOR	B2
BATTERY CHARGER	C8-9
BODY 1	B7-8
BODY 2	B9-10
BODY FITTING	B11
BRAKE 1	A10-11
BRAKE 2	A12
BRAKE 3	B1
BUMPER	B6
CARRIER	B12
CONTROLLER 1	C4-5
ELECTRIC MOTOR	C3
ELECTRICAL 1	C6-7
FRAME	A6
FRONT SUSPENSION WHEEL	A7-8
OPTIONAL GAUGES	D3
OPTIONAL HUB CAPS	C10
OPTIONAL LIGHT KIT	D4
OPTIONAL LIGHT KIT	D4
STREAMLINE JU2	D5-6
OPTIONAL SUN ROOF JN3	D1
OPTIONAL SUN ROOF JN6	D2
OPTIONAL WINDSHIELD JN3	C11
OPTIONAL WINDSHIELD JN6	C12
REAR ARM SUSPENSION	A5
REAR AXLE MOUNT WHEEL	B5
SEAT	C1-2
STEERING	A9
TRANSAXLE 1	B3-4
-MODELS IN THIS CATALOG	D7



ELECTRICAL 1



Ref. No.	Part Number	Description	Qty	Remarks
1	J56-H2123-00-00	SEAT, BATTERY	3	
2	JF3-H2136-00-00	PLATE, BATTERY	3	
3	JN4-H2133-00-00	SCREW, FITTING	6	
4	90201-065G8-00	WASHER, PLAIN	6	
5	95707-06500-00	NUT, FLANGE	6	
6	JN8-H2115-00-00	WIRE, PLUS LEAD	1	
7	JR1-H2127-01-00	WIRE, LEAD 2	3	
8	JR1-H2149-01-00	WIRE, LEAD 3	2	
9	JR1-H2917-01-00	SWITCH, F/R CONTROL	1	
10	JR1-H2521-00-00	WIRE, LEAD	1	
11	JR1-H2531-00-00	WIRE, LEAD	1	
12	JR1-H6171-00-00	WIRE, LEAD 1	1	
13	90465-13152-00	CLAMP	3	
14	JR1-H6172-00-00	WIRE, LEAD 2	1	
15	JR1-H7196-00-00	TUBE, 1	1	
16	JR1-H2590-00-00	WIRE HARNESS	1	
17	JR1-H2151-00-00	FUSE (3A-BL)	1	
18	JR1-H1950-00-00	RELAY ASSY	1	
19	JN6-H2105-00-00	WIRE HARNESS	1	
20	90163-06005-00	SCREW, HEX	2	
21	JR1-H3383-01-00	BUZZER	1	
22	JN6-H3386-00-00	STAY, BUZZER	1	
23	JR1-H6181-02-00	RECEPTACLE	1	
24	JR1-H1215-00-00	WIRE, LEAD 1	1	
25	JR1-H1216-00-00	WIRE, LEAD 2	1	
26	JF7-82817-20-00	SWITCH, ACCELERATOR STOP	1	
27	98507-05025-00	SCREW, PAN HEAD	2	
28	92907-05100-00	WASHER, LOCK	2	
29	92907-05600-00	WASHER	2	
30	90465-13827-00	CLAMP	4	

CONTENTS

ACCELERATOR	B2
BATTERY CHARGER	C8-9
BODY 1	B7-8
BODY 2	B9-10
BODY FITTING	B11
BRAKE 1	A10-11
BRAKE 2	A12
BRAKE 3	B1
BUMPER	B6
CARRIER	B12
CONTROLLER 1	C4-5
ELECTRIC MOTOR	C3
ELECTRICAL 1	C6-7
FRAME	A6
FRONT SUSPENSION WHEEL	A7-8
OPTIONAL GAUGES	D3
OPTIONAL HUB CAPS	C10
OPTIONAL LIGHT KIT	D4
OPTIONAL LIGHT KIT STREAMLINE JU2	D5-6
OPTIONAL SUN ROOF JN3	D1
OPTIONAL SUN ROOF JN6	D2
OPTIONAL WINDSHIELD JN3	C11
OPTIONAL WINDSHIELD JN6	C12
REAR ARM SUSPENSION	A5
REAR AXLE MOUNT WHEEL	B5
SEAT	C1-2
STEERING	A9
TRANSAXLE 1	B3-4
-MODELS IN THIS CATALOG	D7

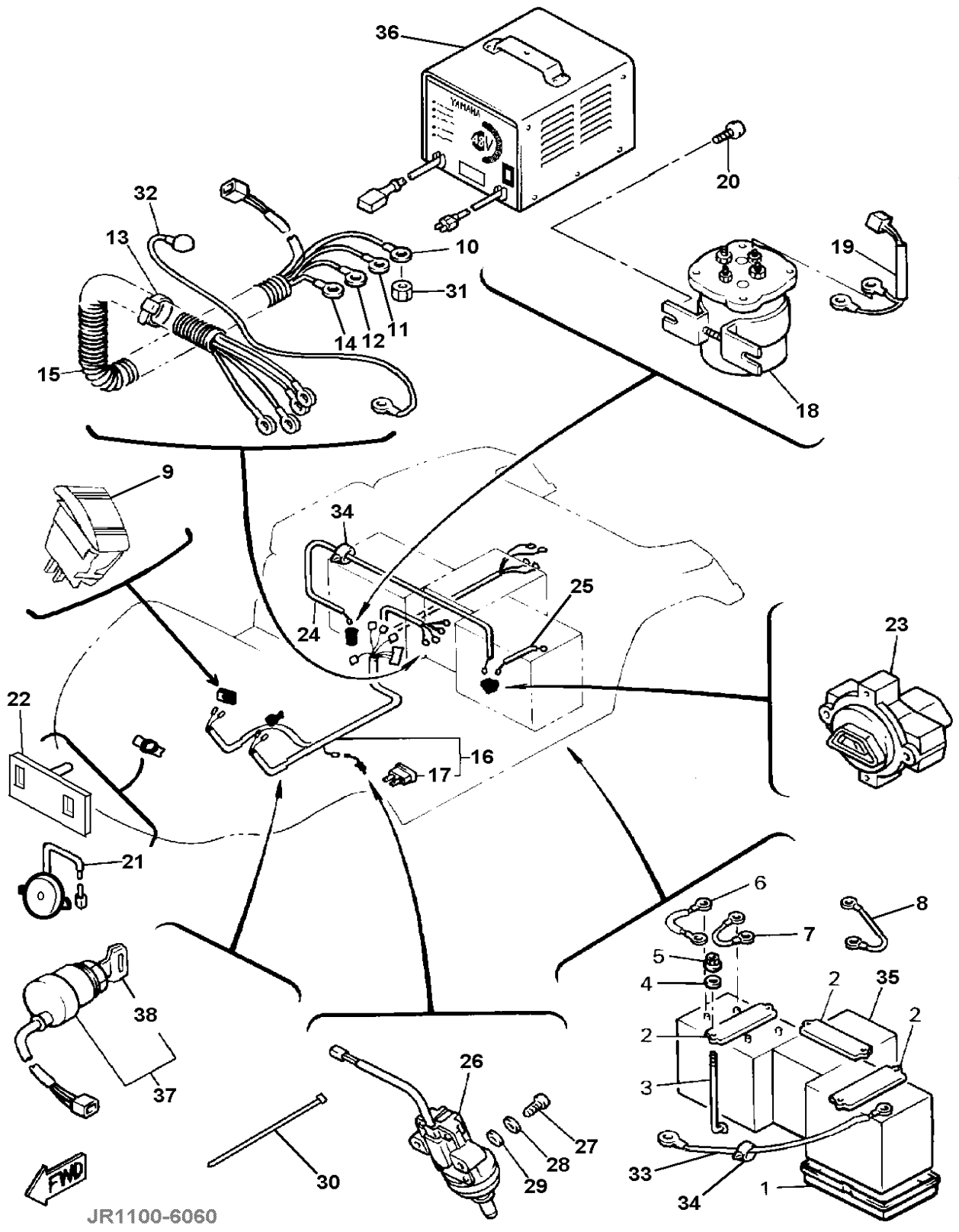
CONTINUED ON NEXT FRAME ►

ELECTRICAL 1

Ref. No.	Part Number	Description	Qty	Remarks
31	JG6-H1872-00-00	NUT, SPECIAL	4	
32	JR1-H6527-00-00	WIRE, 7	1	
33	JR1-H6521-00-00	WIRE, 1	1	
34	90464-25826-00	CLAMP	3	
35	JR1-H2110-C0-00	BATTERY ASSY, 8V BC1 GROUP GC - 2H	6	DOMESTIC MARKET - OBTAIN LOCALLY
	JR1-H2110-00-00	BATTERY ASSY	6	FOR EXPORT MARKET - OBTAIN LOCALLY
36	MAC-SCR48-17-17	CHARGER, BATTERY	1	120V
	MAC-SCR48-17-37	CHARGER, BATTERY	1	220-24V
37	JR1-82510-02-00	SWITCH, MAIN	1	STD - COMMON KEY
	JR1-82510-01-09	SWITCH, MAIN (RANDOM KEY)	1	UR RANDOM KEY
38	J44-82511-00-YY	. KEY, MAIN SWITCH	1	FOR STD SWITCH ONLY

CONTENTS

ACCELERATOR	B2
BATTERY CHARGER	C8-9
BODY 1	B7-8
BODY 2	B9-10
BODY FITTING	B11
BRAKE 1	A10-11
BRAKE 2	A12
BRAKE 3	B1
BUMPER	B6
CARRIER	B12
CONTROLLER 1	C4-5
ELECTRIC MOTOR	C3
ELECTRICAL 1	C6-7
FRAME	A6
FRONT SUSPENSION WHEEL	A7-8
OPTIONAL GAUGES	D3
OPTIONAL HUB CAPS	C10
OPTIONAL LIGHT KIT	D4
OPTIONAL LIGHT KIT STREAMLINE JU2	D5-6
OPTIONAL SUN ROOF JN3	D1
OPTIONAL SUN ROOF JN6	D2
OPTIONAL WINDSHIELD JN3	C11
OPTIONAL WINDSHIELD JN6	C12
REAR ARM SUSPENSION	A5
REAR AXLE MOUNT WHEEL	B5
SEAT	C1-2
STEERING	A9
TRANSAXLE 1	B3-4
-MODELS IN THIS CATALOG	D7

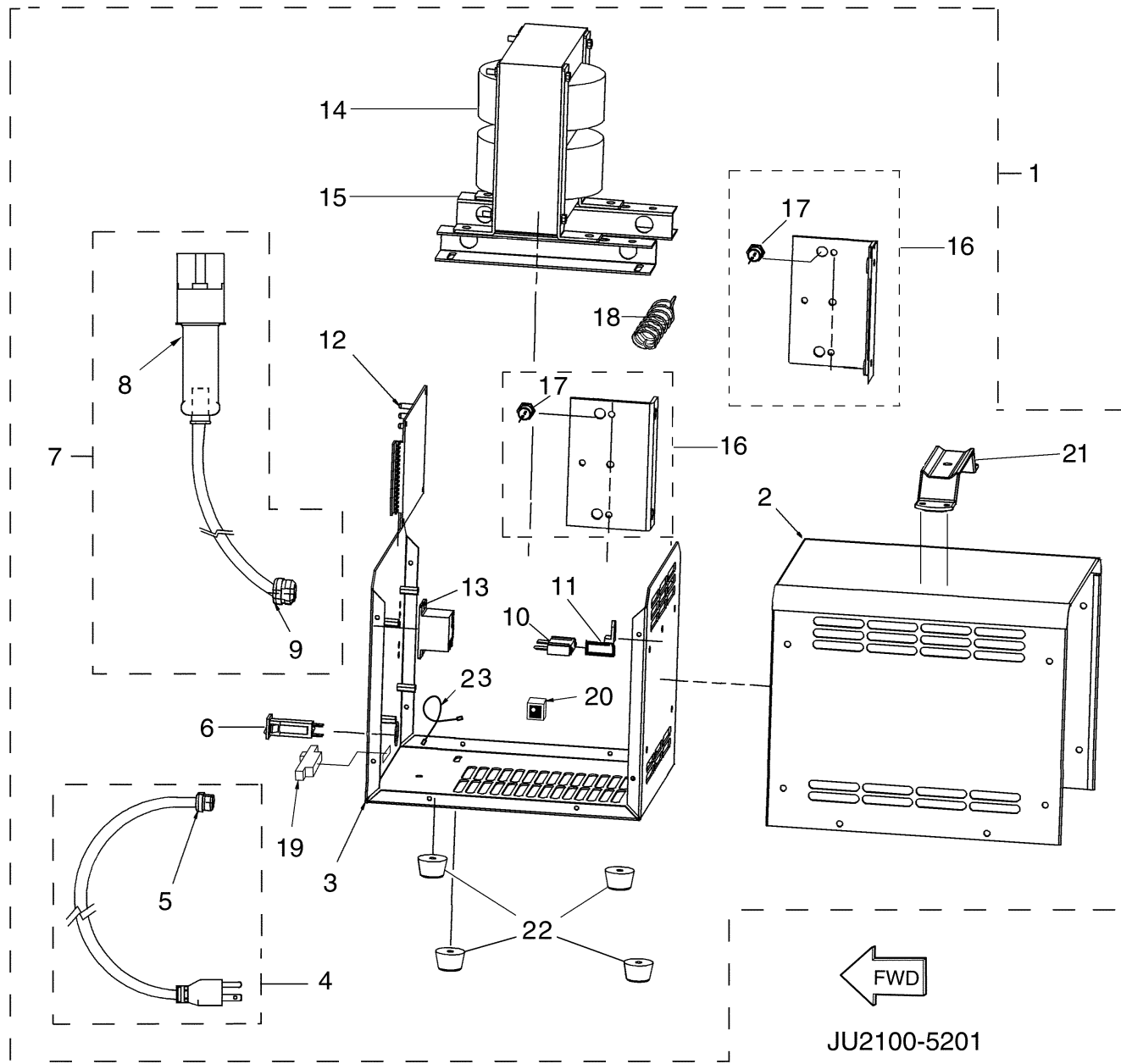


BATTERY CHARGER

Ref. No.	Part Number	Description	Qty	Remarks
1	MAC-SCR48-17-17	CHARGER, BATTERY	1	120V SCR481717
	MAC-BA165-00-20	CHARGER, BATTERY	1	EXPORT 220-240V BA1650
2	MAC-WP141-06-20	. CASE, COVER	1	WP14106-2
3	MAC-WP140-81-00	. CASE, MAIN	1	WP14081
4	MAC-11438-10-00	. AC CORD ASSY	1	120V WP11438-1
	MAC-11438-10-00	. AC CORD ASSY	1	EXPORT LM, NOT AVAILABLE, OBTAIN LOCALLY
5	MAC-M3660-00-00	. AC STRAIN RELIEF	1	M366
6	MAC-M1406-10-00	. CIRCUIT BREAKER, 15 AC ..	1	M14061
7	MAC-CDC10-23-00	. DC CORD ASSY	1	CDC1023
8	MAC-M1409-80-00	. DC PLUG SET	1	M14098
9	MAC-M6680-00-00	. DC STRAIN RELIEF	1	M6680
10	MAC-WP154-77-00	. DC FUSE ASSY	1	WP15477-0
11	MAC-M1546-10-00	. TIE, CABLE STRAP	1	M15461
12	MAC-0480S-1F-17	. CONTROL CIRCUIT	1	CNM0480S1F17
13	MAC-M1406-50-00	. RELAY	1	M14065
14	MAC-TX141-10-V0	. POWER TRANSFORMER	1	TX14110V
	MAC-TX141-70-V0	. POWER TRANSFORMER	1	EXPORT 220-240V TX14170V
15	MAC-TX141-10-V1	. TX RAIL	2	WP14108-1A
16	MAC-CHT00-73-R0	. RECTIFIER ASSY	1	HEAT SINK / SCR ASSY CHT0073R/WP399
17	MAC-M3998-00-00	. . RECTIFIER, SCR	2	M3998
18	MAC-WP135-52-L0	. SHUNT	1	WP13552
19	MAC-M1304-90-00	. SWITCH, AC VOLTAGE	1	EXPORT 220-240V M13049
20	MAC-WP139-76-00	. RESISTOR ASSY	1	EXPORT 220-240V WP13976
21	MAC-M1422-00-00	. HANDLE	1	M14220

CONTENTS

ACCELERATOR	B2
BATTERY CHARGER	C8-9
BODY 1	B7-8
BODY 2	B9-10
BODY FITTING	B11
BRAKE 1	A10-11
BRAKE 2	A12
BRAKE 3	B1
BUMPER	B6
CARRIER	B12
CONTROLLER 1	C4-5
ELECTRIC MOTOR	C3
ELECTRICAL 1	C6-7
FRAME	A6
FRONT SUSPENSION WHEEL	A7-8
OPTIONAL GAUGES	D3
OPTIONAL HUB CAPS	C10
OPTIONAL LIGHT KIT	D4
OPTIONAL LIGHT KIT	D4
STREAMLINE JU2	D5-6
OPTIONAL SUN ROOF JN3	D1
OPTIONAL SUN ROOF JN6	D2
OPTIONAL WINDSHIELD JN3	C11
OPTIONAL WINDSHIELD JN6	C12
REAR ARM SUSPENSION	A5
REAR AXLE MOUNT WHEEL	B5
SEAT	C1-2
STEERING	A9
TRANSAXLE 1	B3-4
-MODELS IN THIS CATALOG	D7



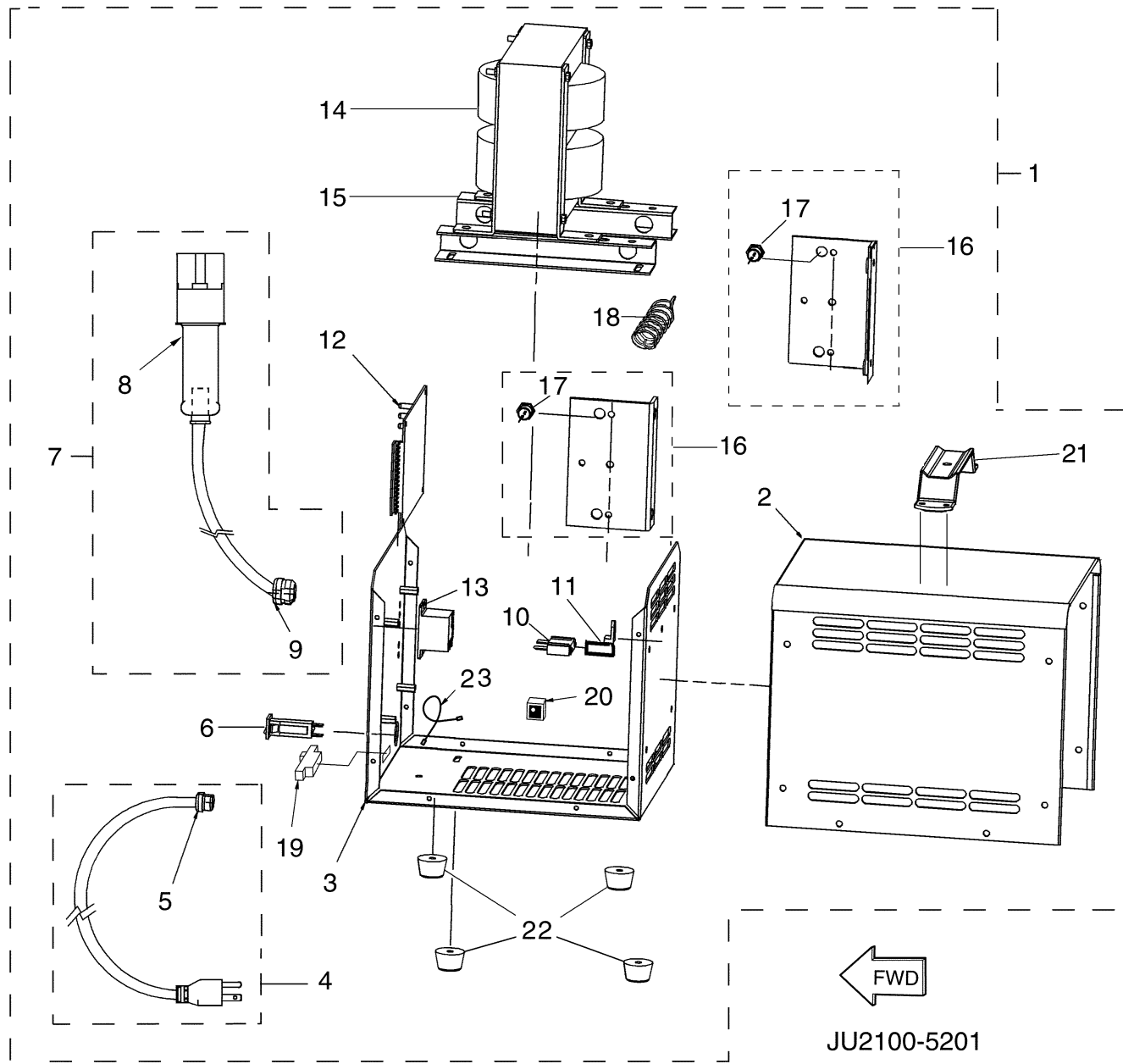
CONTINUED ON NEXT FRAME ►

BATTERY CHARGER

Ref. No.	Part Number	Description	Qty	Remarks
22	MAC-M1202-60-00	. BUMPER	1	M12026
23	MAC-WP122-36-50	. VARISTOR ASSY	1	U.S. 120V WP12236-5
	MAC-WP140-18-40	. VARISTOR ASSY	1	EXPORT 220-240V WP14018-4

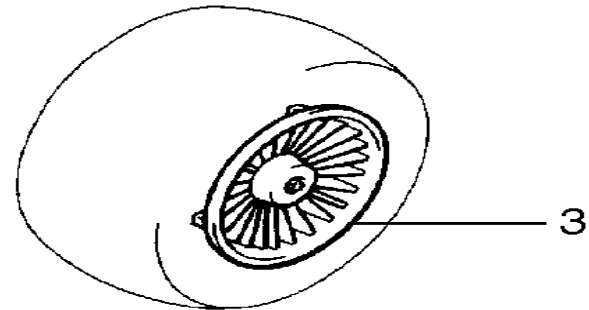
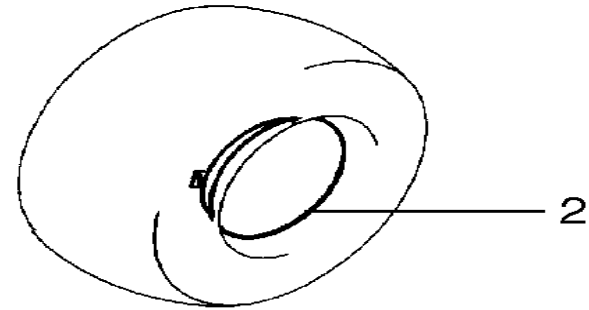
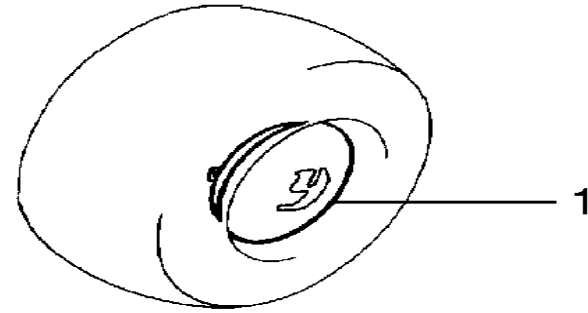
CONTENTS

ACCELERATOR	B2
BATTERY CHARGER	C8-9
BODY 1	B7-8
BODY 2	B9-10
BODY FITTING	B11
BRAKE 1	A10-11
BRAKE 2	A12
BRAKE 3	B1
BUMPER	B6
CARRIER	B12
CONTROLLER 1	C4-5
ELECTRIC MOTOR	C3
ELECTRICAL 1	C6-7
FRAME	A6
FRONT SUSPENSION WHEEL	A7-8
OPTIONAL GAUGES	D3
OPTIONAL HUB CAPS	C10
OPTIONAL LIGHT KIT	D4
OPTIONAL LIGHT KIT STREAMLINE JU2	D5-6
OPTIONAL SUN ROOF JN3	D1
OPTIONAL SUN ROOF JN6	D2
OPTIONAL WINDSHIELD JN3	C11
OPTIONAL WINDSHIELD JN6	C12
REAR ARM SUSPENSION	A5
REAR AXLE MOUNT WHEEL	B5
SEAT	C1-2
STEERING	A9
TRANSAXLE 1	B3-4
-MODELS IN THIS CATALOG	D7



OPTIONAL HUB CAPS

Ref. No.	Part Number	Description	Qty	Remarks
1	JG5-F512L-00-00	HUB CAP, PLAIN	4	COMES WITH CLIPS
2	JG5-F512M-00-00	HUB CAP, MAG-STYLE	4	COMES WITH CLIPS
3	JG5-HUBCP-TF-00	HUB-CAP, TUNING FORK	4	COMES WITH CLIPS



CONTENTS

ACCELERATOR	B2
BATTERY CHARGER	C8-9
BODY 1	B7-8
BODY 2	B9-10
BODY FITTING	B11
BRAKE 1	A10-11
BRAKE 2	A12
BRAKE 3	B1
BUMPER	B6
CARRIER	B12
CONTROLLER 1	C4-5
ELECTRIC MOTOR	C3
ELECTRICAL 1	C6-7
FRAME	A6
FRONT SUSPENSION WHEEL	A7-8
OPTIONAL GAUGES	D3
OPTIONAL HUB CAPS	C10
OPTIONAL LIGHT KIT	D4
OPTIONAL LIGHT KIT	D4
STREAMLINE JU2	D5-6
OPTIONAL SUN ROOF JN3	D1
OPTIONAL SUN ROOF JN6	D2
OPTIONAL WINDSHIELD JN3	C11
OPTIONAL WINDSHIELD JN6	C12
REAR ARM SUSPENSION	A5
REAR AXLE MOUNT WHEEL	B5
SEAT	C1-2
STEERING	A9
TRANSAXLE 1	B3-4
-MODELS IN THIS CATALOG	D7

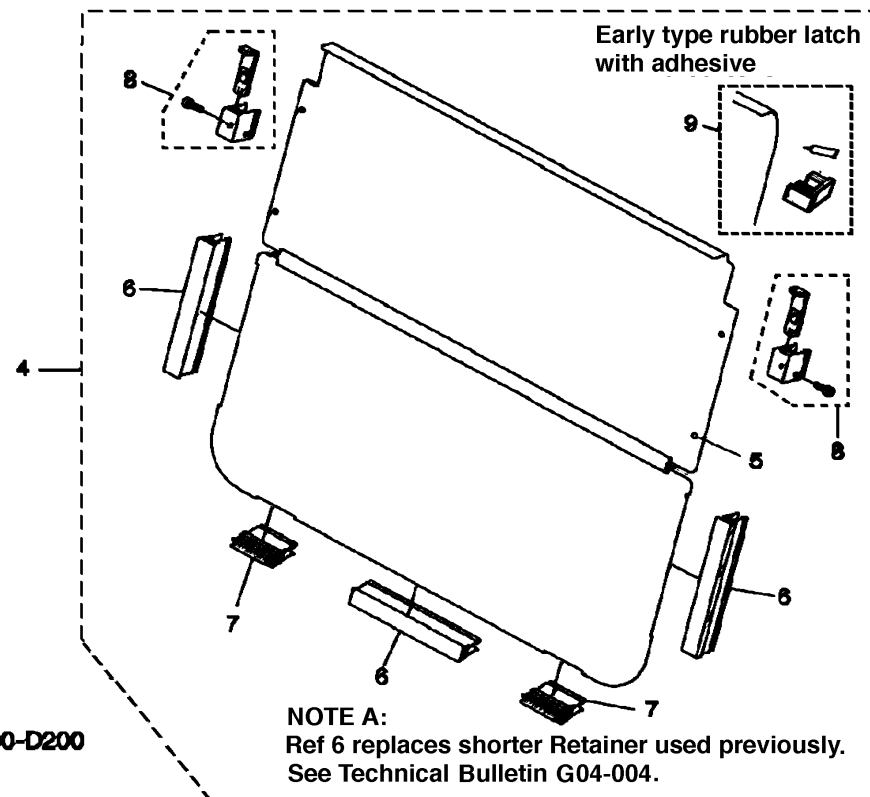
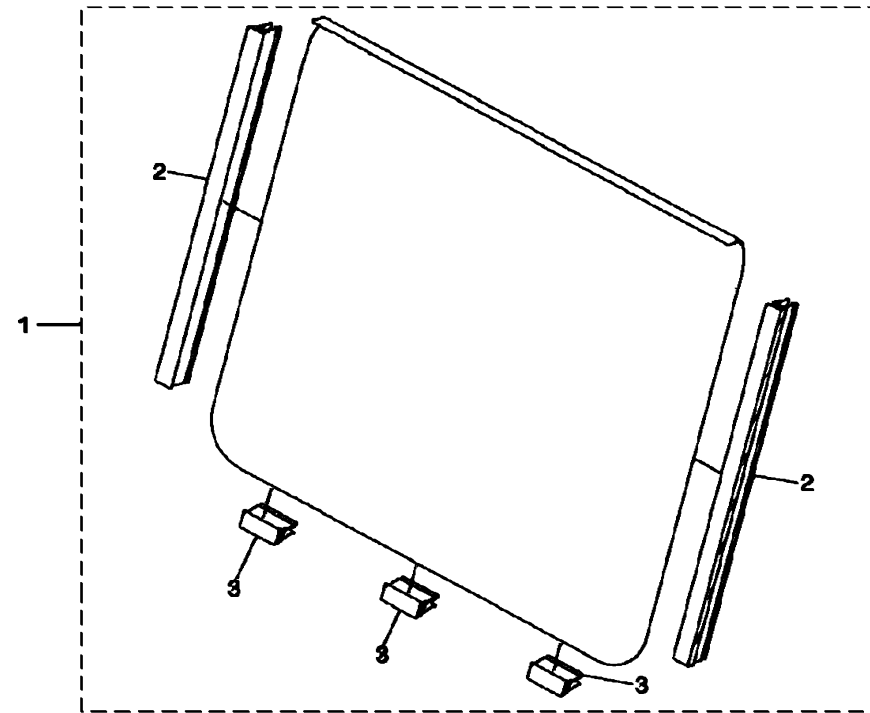


OPTIONAL WINDSHIELD JN3

Ref. No.	Part Number	Description	Qty	Remarks
1	JN3-K7200-01-00	WINDSHIELD ASSEMBLY (CLEAR)	1	UR JN3 SUNTOP REQUIRED
2	JU0-K838C-00-00	. HOLDER SHIELD	2	29 INCHES
3	JU0-K722A-01-00	. FASTENER	3	
4	JN3-K7200-22-00	WINDSHIELD ASSEMBLY (HINGED, CLEAR)	1	UR JN3 SUNTOP REQUIRED
	JN3-K7200-32-00	WINDSHIELD ASSEMBLY (HINGED, TINTED)	1	UR JN3 SUNTOP REQUIRED
5	JU0-K7238-00-00	. DAMPER, WINDSHIELD	6	
6	JU0-K838B-09-00	. RETAINER 2	3	SEE NOTE A
7	JU0-K7222-01-00	. BRACKET, WINDSHIELD	2	
8	JU0-K722E-00-00	. LATCH, SLIDE	1	
9	ACC-CCGLU-ES-ET	HINGED WINDOW MTG BRACKET	1	UR PREVIOUS DESIGN, RUBBER LATCH WITH GLUE

CONTENTS

ACCELERATOR	B2
BATTERY CHARGER	C8-9
BODY 1	B7-8
BODY 2	B9-10
BODY FITTING	B11
BRAKE 1	A10-11
BRAKE 2	A12
BRAKE 3	B1
BUMPER	B6
CARRIER	B12
CONTROLLER 1	C4-5
ELECTRIC MOTOR	C3
ELECTRICAL 1	C6-7
FRAME	A6
FRONT SUSPENSION WHEEL	A7-8
OPTIONAL GAUGES	D3
OPTIONAL HUB CAPS	C10
OPTIONAL LIGHT KIT	D4
OPTIONAL LIGHT KIT	
STREAMLINE JU2	D5-6
OPTIONAL SUN ROOF JN3	D1
OPTIONAL SUN ROOF JN6	D2
OPTIONAL WINDSHIELD JN3	C11
OPTIONAL WINDSHIELD JN6	C12
REAR ARM SUSPENSION	A5
REAR AXLE MOUNT WHEEL	B5
SEAT	C1-2
STEERING	A9
TRANSAXLE 1	B3-4
-MODELS IN THIS CATALOG	D7



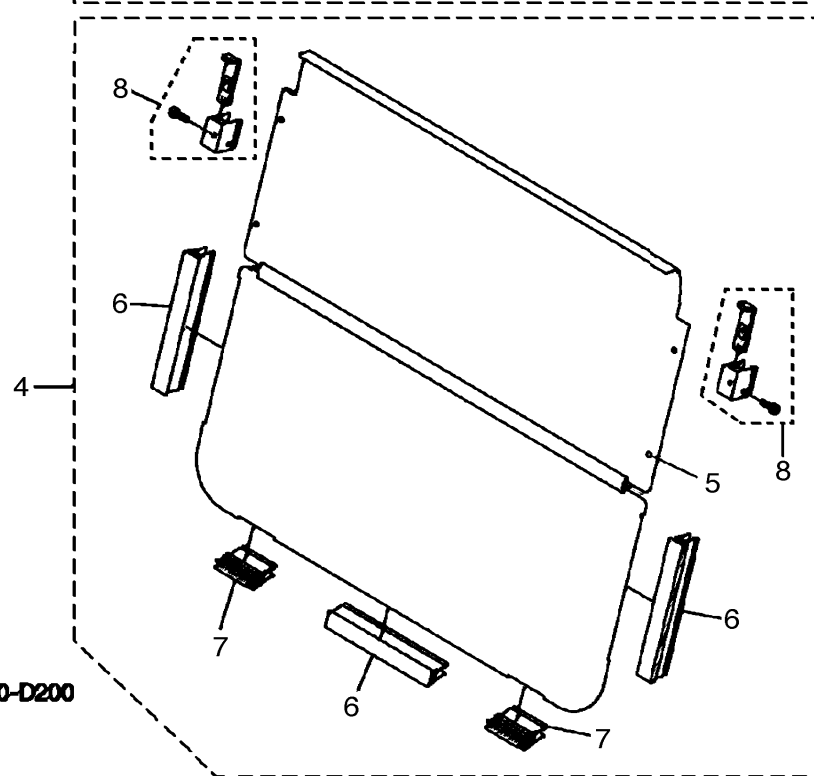
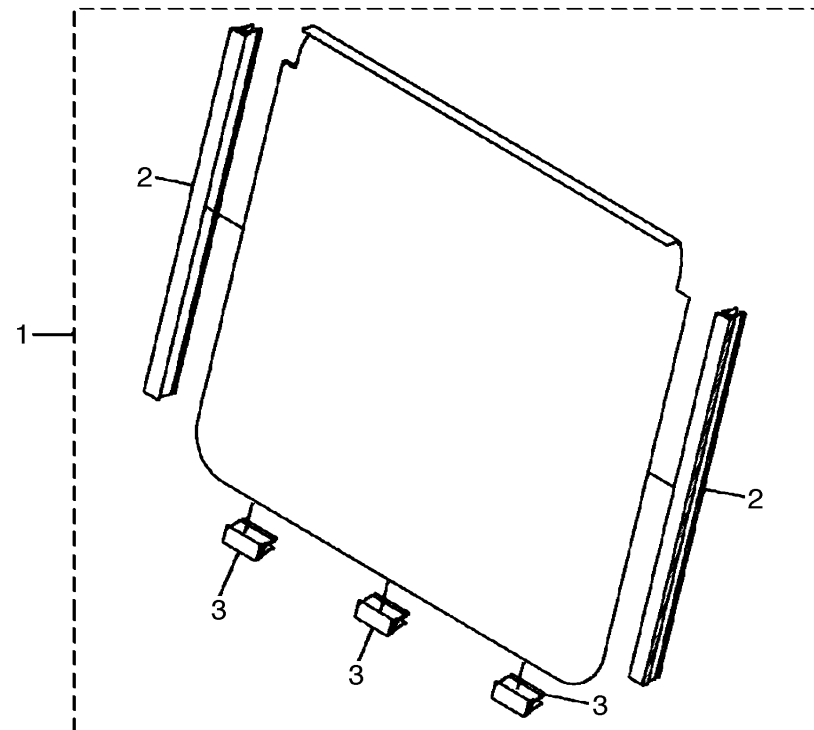
JU22100-D200

OPTIONAL WINDSHIELD JN6

Ref. No.	Part Number	Description	Qty	Remarks
1	JN6-K7200-00-00	WINDSHIELD, CLEAR 1 PIECE	1	UR JN6 SUNTOP
2	JN3-K838C-00-00	. HOLDER SHIELD	2	29 INCHES
3	JU0-K838A-10-00	. FASTNER, 2	3	
4	JN6-K7200-22-00	WINDSHIELD ASSEMBLY (HINGED, CLEAR)	1	UR JN6 SUNTOP
	JN6-K7200-30-00	WINDSHIELD ASSY, (HINGED, TINTED)	1	UR JN6 SUNTOP
5	JU0-K7238-00-00	. DAMPER, WINDSHIELD	4	
6	JU0-K838B-00-00	. RETAINER 2	3	10 INCHES
7	JU0-K7222-01-00	. BRACKET, WINDSHIELD	2	2 INCHES
8	JU0-K722E-00-00	. LATCH, SLIDE	1	

CONTENTS

ACCELERATOR	B2
BATTERY CHARGER	C8-9
BODY 1	B7-8
BODY 2	B9-10
BODY FITTING	B11
BRAKE 1	A10-11
BRAKE 2	A12
BRAKE 3	B1
BUMPER	B6
CARRIER	B12
CONTROLLER 1	C4-5
ELECTRIC MOTOR	C3
ELECTRICAL 1	C6-7
FRAME	A6
FRONT SUSPENSION WHEEL	A7-8
OPTIONAL GAUGES	D3
OPTIONAL HUB CAPS	C10
OPTIONAL LIGHT KIT	D4
OPTIONAL LIGHT KIT STREAMLINE JU2	D5-6
OPTIONAL SUN ROOF JN3	D1
OPTIONAL SUN ROOF JN6	D2
OPTIONAL WINDSHIELD JN3	C11
OPTIONAL WINDSHIELD JN6	C12
REAR ARM SUSPENSION	A5
REAR AXLE MOUNT WHEEL	B5
SEAT	C1-2
STEERING	A9
TRANSAXLE 1	B3-4
-MODELS IN THIS CATALOG	D7

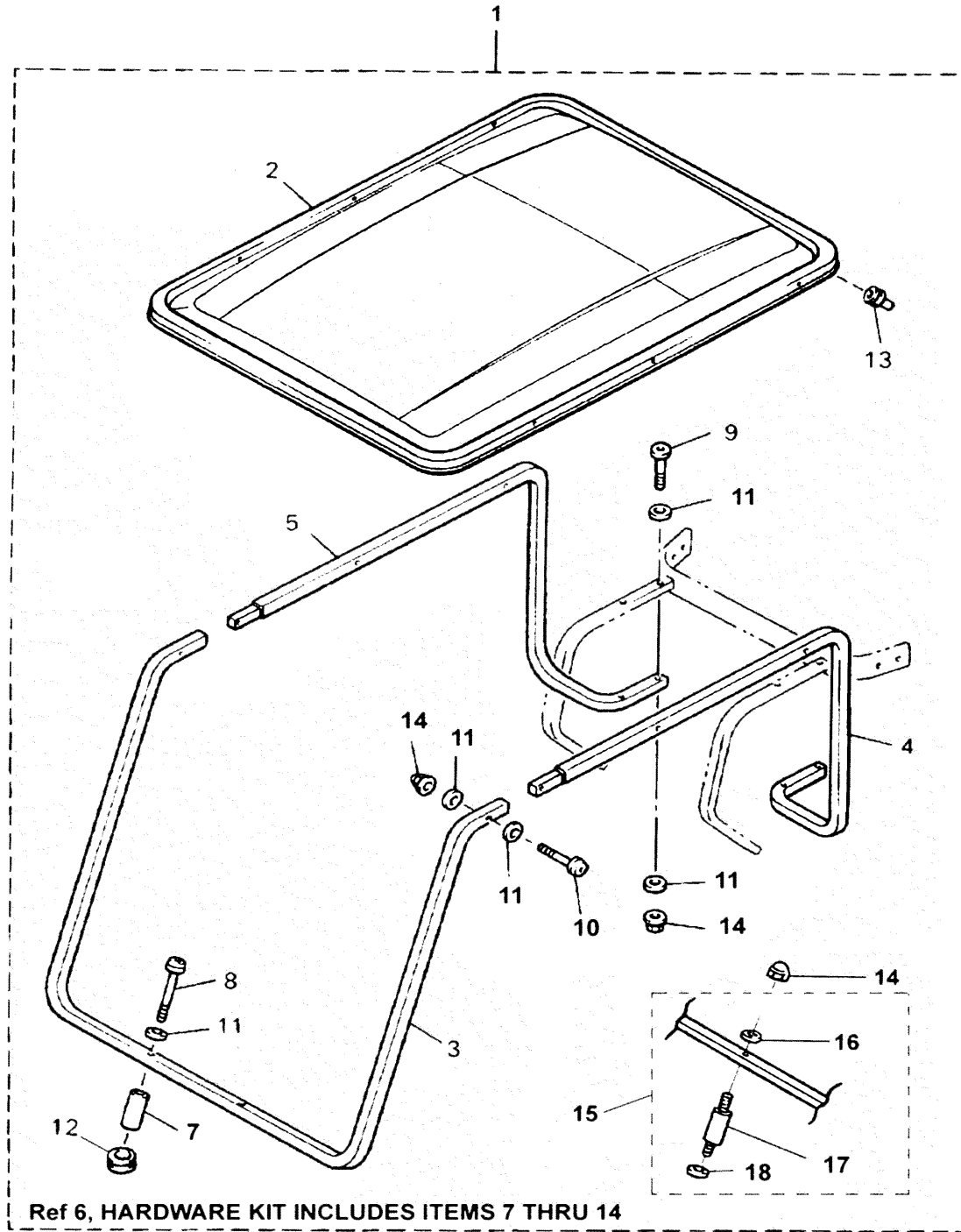



OPTIONAL SUN ROOF JN3

Ref. No.	Part Number	Description	Qty	Remarks
1	JN3-K8310-10-00	SUN ROOF ASSEMBLY	1	
2	JN3-K8314-00-00	. COVER, SUNROOF	1	
3	JN3-K8312-00-00	. SUPPORT, ROOF 1	1	
4	JN3-K8313-00-00	. SUPPORT, ROOF 2	1	
5	JN3-K831A-00-00	. SUPPORT, ROOF 3	1	
6	ABA-JN398-99-00	. HARDWARE, SUNTOP	1	
7	90387-088J4-00	.. COLLAR	2	
8	90101-08862-00	.. BOLT	2	
9	90101-22864-00	.. BOLT	4	NOT AVAILABLE SEPARATELY
10	90101-22863-00	.. BOLT	6	
11	90201-088E5-00	.. WASHER, PLATE	24	
12	JN3-K832F-00-00	.. GROMMET, ROOF SUPPORT	2	
13	JN3-K832G-00-00	.. GROMMET, ROOF	2	
14	90185-12835-00	.. NUT, SELF-LOCK	10	
15	JN6-K834A-02-KT	HOLDER, REINFORCEMENT ..	1	UR AP
16	90201-098J4-00	. WASHER, PLAIN	2	
17	JN6-K834A-02-00	. HOLDER, REINFORCEMENT .	2	
18	9299R-08600-00	. WASHER, PLATE	2	

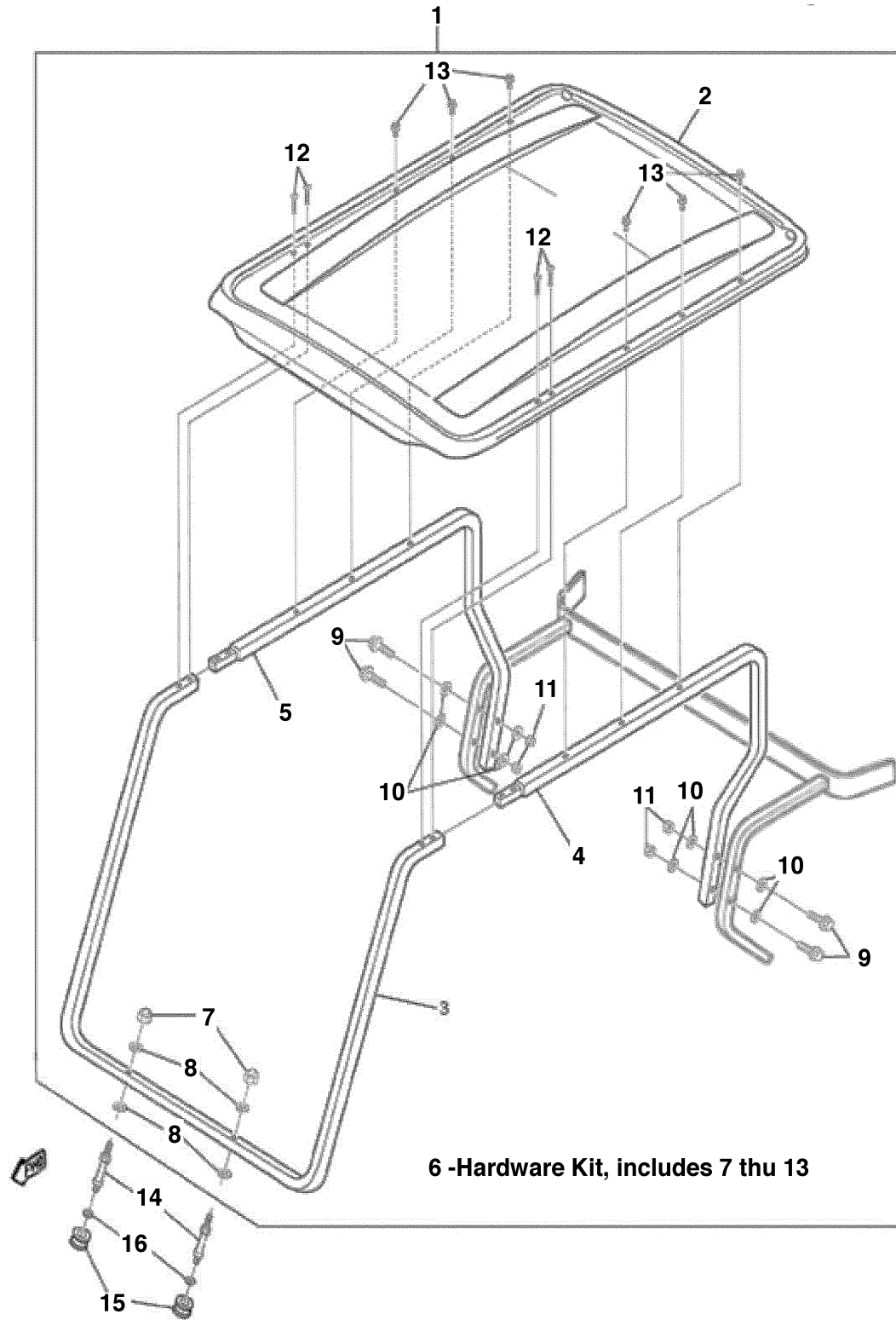
CONTENTS

ACCELERATOR	B2
BATTERY CHARGER	C8-9
BODY 1	B7-8
BODY 2	B9-10
BODY FITTING	B11
BRAKE 1	A10-11
BRAKE 2	A12
BRAKE 3	B1
BUMPER	B6
CARRIER	B12
CONTROLLER 1	C4-5
ELECTRIC MOTOR	C3
ELECTRICAL 1	C6-7
FRAME	A6
FRONT SUSPENSION WHEEL	A7-8
OPTIONAL GAUGES	D3
OPTIONAL HUB CAPS	C10
OPTIONAL LIGHT KIT	D4
OPTIONAL LIGHT KIT	
STREAMLINE JU2	D5-6
OPTIONAL SUN ROOF JN3	D1
OPTIONAL SUN ROOF JN6	D2
OPTIONAL WINDSHIELD JN3	C11
OPTIONAL WINDSHIELD JN6	C12
REAR ARM SUSPENSION	A5
REAR AXLE MOUNT WHEEL	B5
SEAT	C1-2
STEERING	A9
TRANSAXLE 1	B3-4
-MODELS IN THIS CATALOG	D7



 JN3100-5371

OPTIONAL SUN ROOF JN6



Ref. No.	Part Number	Description	Qty	Remarks
1	JN6-K8310-12-00	SUNTOP KIT	1	
2	JN6-K8314-00-00	. COVER, SUNROOF	1	
3	JN6-K8312-00-00	. SUPPORT, SUNROOF 1	1	FRONT
4	JN6-K8313-12-00	. SUPPORT, SUNROOF 2	1	LH SIDE
5	JN6-K831A-12-00	. SUPPORT, SUNROOF 3	1	RH SIDE
6	ABA-JN6K8-31-00	. HARDWARE KIT SUNTOP ...	1	
7	90176-08801-00	.. NUT, CAP	2	
8	90201-098J4-00	.. WASHER, PLAIN	4	
9	90101-22864-00	.. BOLT	4	70MM LONG (NOT AVAILABLE SEPARATELY)
10	90201-088T2-00	.. WASHER, PLAIN	8	
11	90185-12835-00	.. NUT, SELF-LOCK	4	(NOT AVAILABLE SEPARATELY)
12	90110-6800-00	.. SCREW	4	16MM LONG (NOT AVAILABLE SEPARATELY)
13	90269-08800-00	.. RIVET	6	WHITE PLASTIC RIVET
14	JN6-K834A-02-00	HOLDER, REINFORCEMENT ..	2	UR, NOT INCLUDED
15	JN3-K832F-00-00	GROMMET, ROOF SUPPORT ..	2	UR, NOT INCLUDED
16	9299R-08600-00	WASHER, PLATE	2	UR, NOT INCLUDED

CONTENTS

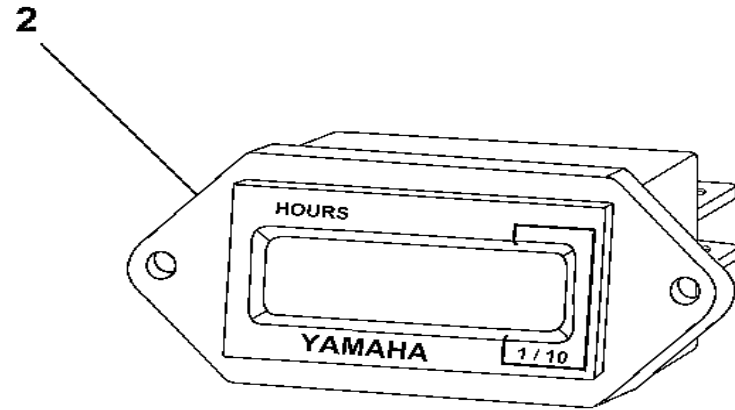
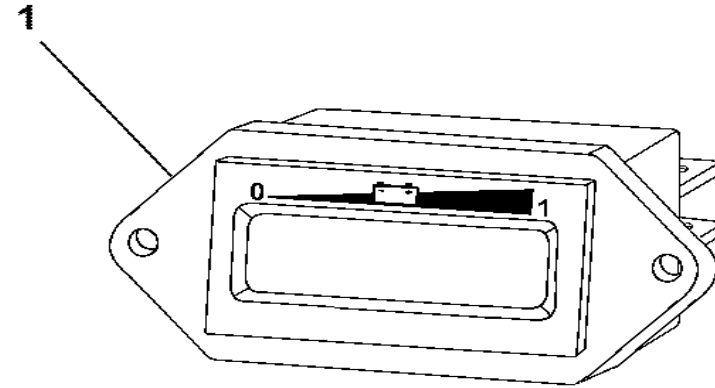
ACCELERATOR	B2
BATTERY CHARGER	C8-9
BODY 1	B7-8
BODY 2	B9-10
BODY FITTING	B11
BRAKE 1	A10-11
BRAKE 2	A12
BRAKE 3	B1
BUMPER	B6
CARRIER	B12
CONTROLLER 1	C4-5
ELECTRIC MOTOR	C3
ELECTRICAL 1	C6-7
FRAME	A6
FRONT SUSPENSION WHEEL	A7-8
OPTIONAL GAUGES	D3
OPTIONAL HUB CAPS	C10
OPTIONAL LIGHT KIT	D4
OPTIONAL LIGHT KIT STREAMLINE JU2	D5-6
OPTIONAL SUN ROOF JN3	D1
OPTIONAL SUN ROOF JN6	D2
OPTIONAL WINDSHIELD JN3	C11
OPTIONAL WINDSHIELD JN6	C12
REAR ARM SUSPENSION	A5
REAR AXLE MOUNT WHEEL	B5
SEAT	C1-2
STEERING	A9
TRANSAXLE 1	B3-4
-MODELS IN THIS CATALOG	D7

OPTIONAL GAUGES

Ref. No.	Part Number	Description	Qty	Remarks
1	JR1-H351C-10-00	BATTERY ENERGY GAUGE ..	1	SEE NOTE A
2	JN6-H351C-00-00	HOUR GAUGE	1	SEE NOTE A

CONTENTS

ACCELERATOR	B2
BATTERY CHARGER	C8-9
BODY 1	B7-8
BODY 2	B9-10
BODY FITTING	B11
BRAKE 1	A10-11
BRAKE 2	A12
BRAKE 3	B1
BUMPER	B6
CARRIER	B12
CONTROLLER 1	C4-5
ELECTRIC MOTOR	C3
ELECTRICAL 1	C6-7
FRAME	A6
FRONT SUSPENSION WHEEL	A7-8
OPTIONAL GAUGES	D3
OPTIONAL HUB CAPS	C10
OPTIONAL LIGHT KIT	D4
OPTIONAL LIGHT KIT	D4
STREAMLINE JU2	D5-6
OPTIONAL SUN ROOF JN3	D1
OPTIONAL SUN ROOF JN6	D2
OPTIONAL WINDSHIELD JN3	C11
OPTIONAL WINDSHIELD JN6	C12
REAR ARM SUSPENSION	A5
REAR AXLE MOUNT WHEEL	B5
SEAT	C1-2
STEERING	A9
TRANSAXLE 1	B3-4
-MODELS IN THIS CATALOG	D7

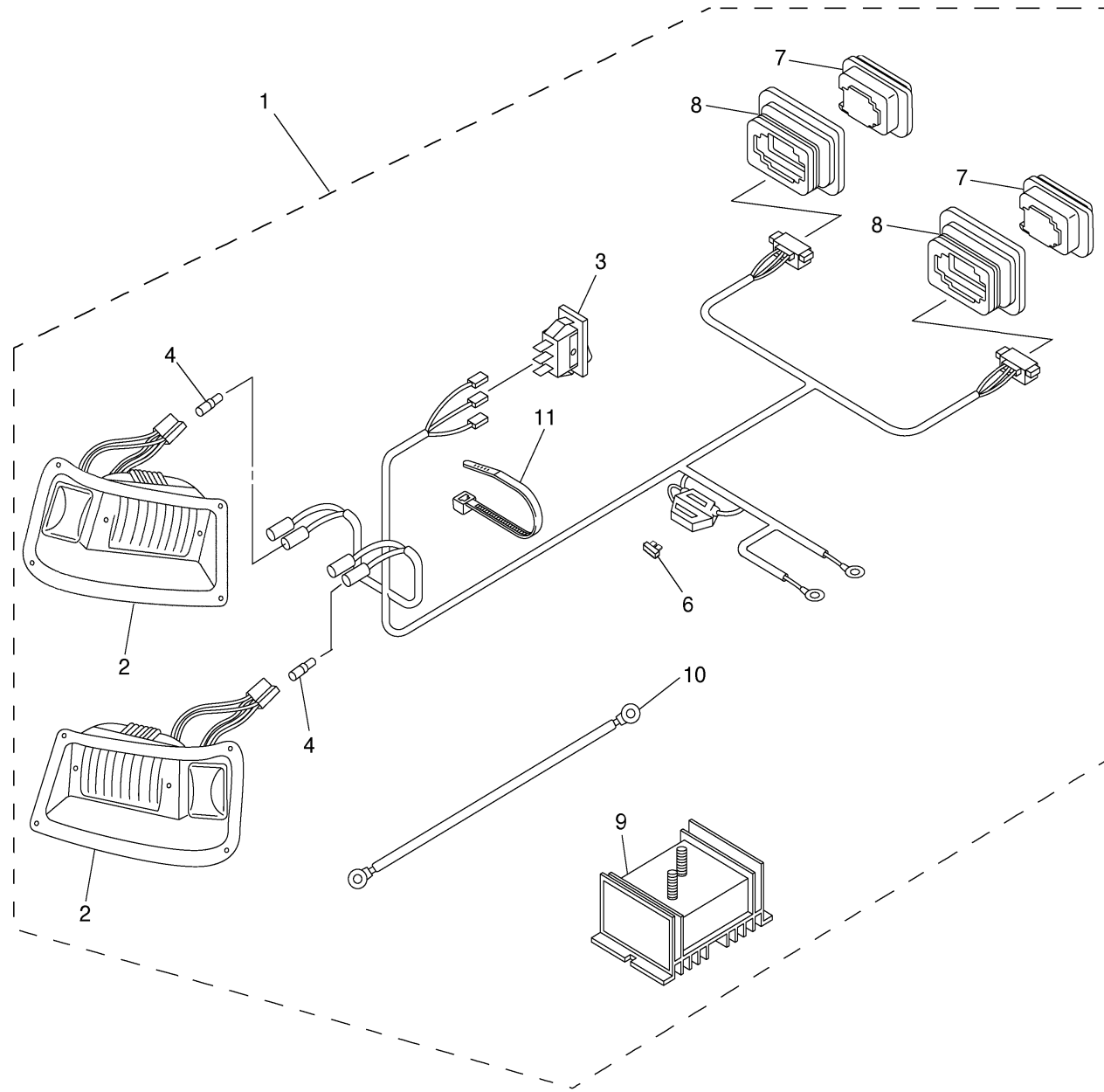


NOTE A:
Includes mounting screws and terminal connectors.



JN8100-1010

OPTIONAL LIGHT KIT



Ref. No.	Part Number	Description	Qty	Remarks
1	JR1-H430A-20-00	HEADLIGHT UNIT ASSY	1	
2	JN3-H4303-20-00	. HEADLIGHT UNIT ASSEMBLY	1	SOLD AS RIGHT & LEFT SET
3	JN3-H3976-20-00	. SWITCH, HANDLE 1	1	
4	9E212-10401-00	. TERMINAL	2	
5	JR1-H4159-00-00	. CORD, HEADLIGHT	1	
6	42X-J82151-00-00	. . FUSE	1	
7	JN3-H4700-00-00	. TAILLIGHT ASSY	2	
8	JN3-H4718-00-00	. GROMMET	2	
9	JR1-H1910-00-00	. VOLTAGE REGULATOR	1	
10	JR1-H4149-00-00	. WIRE, LEAD 2	1	
11	GCA-JU012-51-00	. CLAMP	20	

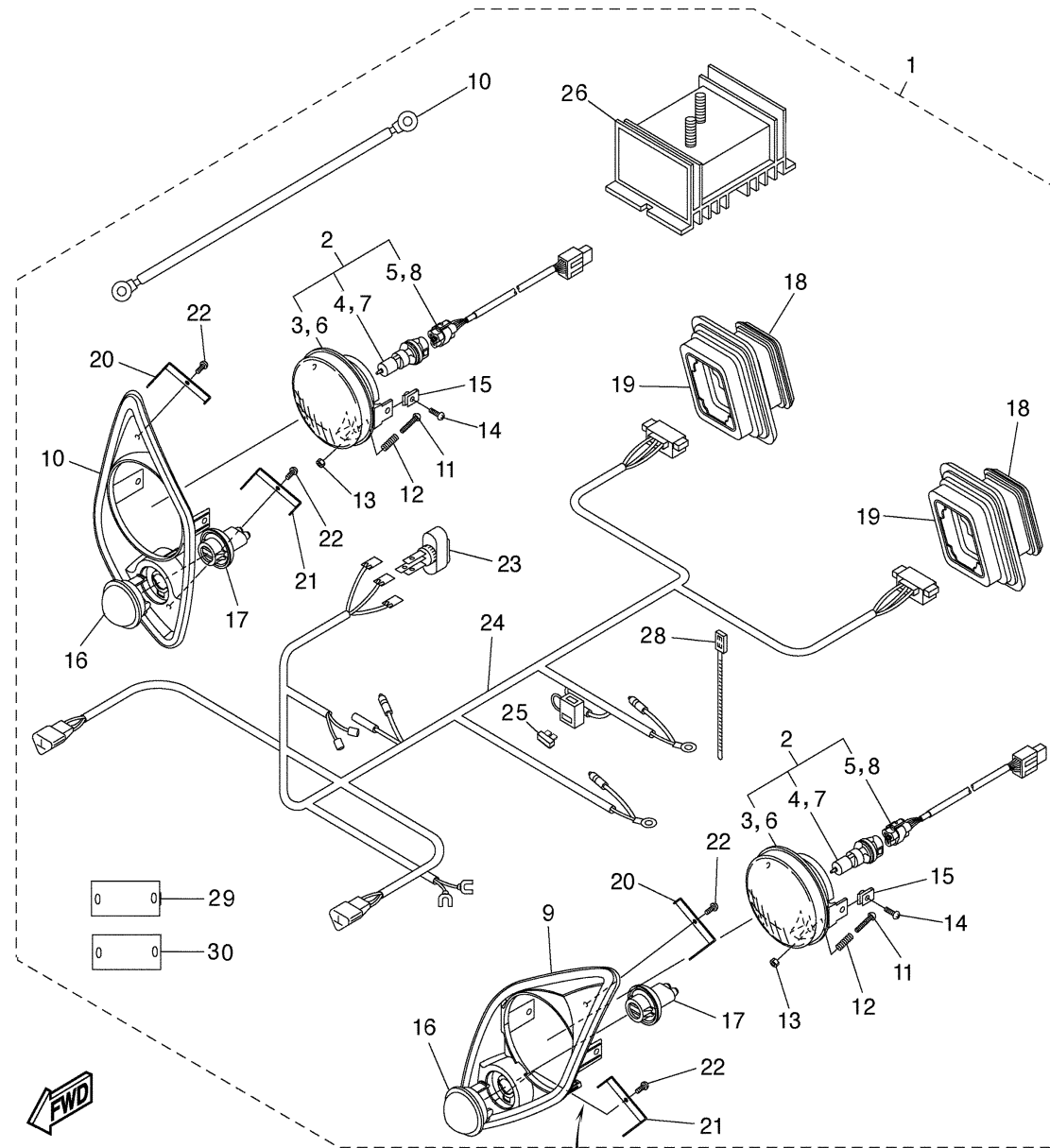
CONTENTS

ACCELERATOR	B2
BATTERY CHARGER	C8-9
BODY 1	B7-8
BODY 2	B9-10
BODY FITTING	B11
BRAKE 1	A10-11
BRAKE 2	A12
BRAKE 3	B1
BUMPER	B6
CARRIER	B12
CONTROLLER 1	C4-5
ELECTRIC MOTOR	C3
ELECTRICAL 1	C6-7
FRAME	A6
FRONT SUSPENSION WHEEL	A7-8
OPTIONAL GAUGES	D3
OPTIONAL HUB CAPS	C10
OPTIONAL LIGHT KIT	D4
OPTIONAL LIGHT KIT STREAMLINE JU2	D5-6
OPTIONAL SUN ROOF JN3	D1
OPTIONAL SUN ROOF JN6	D2
OPTIONAL WINDSHIELD JN3	C11
OPTIONAL WINDSHIELD JN6	C12
REAR ARM SUSPENSION	A5
REAR AXLE MOUNT WHEEL	B5
SEAT	C1-2
STEERING	A9
TRANSAXLE 1	B3-4
-MODELS IN THIS CATALOG	D7



JU23100-E230

OPTIONAL LIGHT KIT STREAMLINE JU2



JU23100-E230

NOTE A: To order the correct service parts read the part number on the back of the lens assembly (5FU-H4320-00-00) or (5FU-H4320-10-00).

NOTE B: To determine which Holder (-00 or -02) you are working with, measure the Headlight Lens Adjusting Screw boss on the back of the Holder.

-00 = 35mm
-02 = 25mm

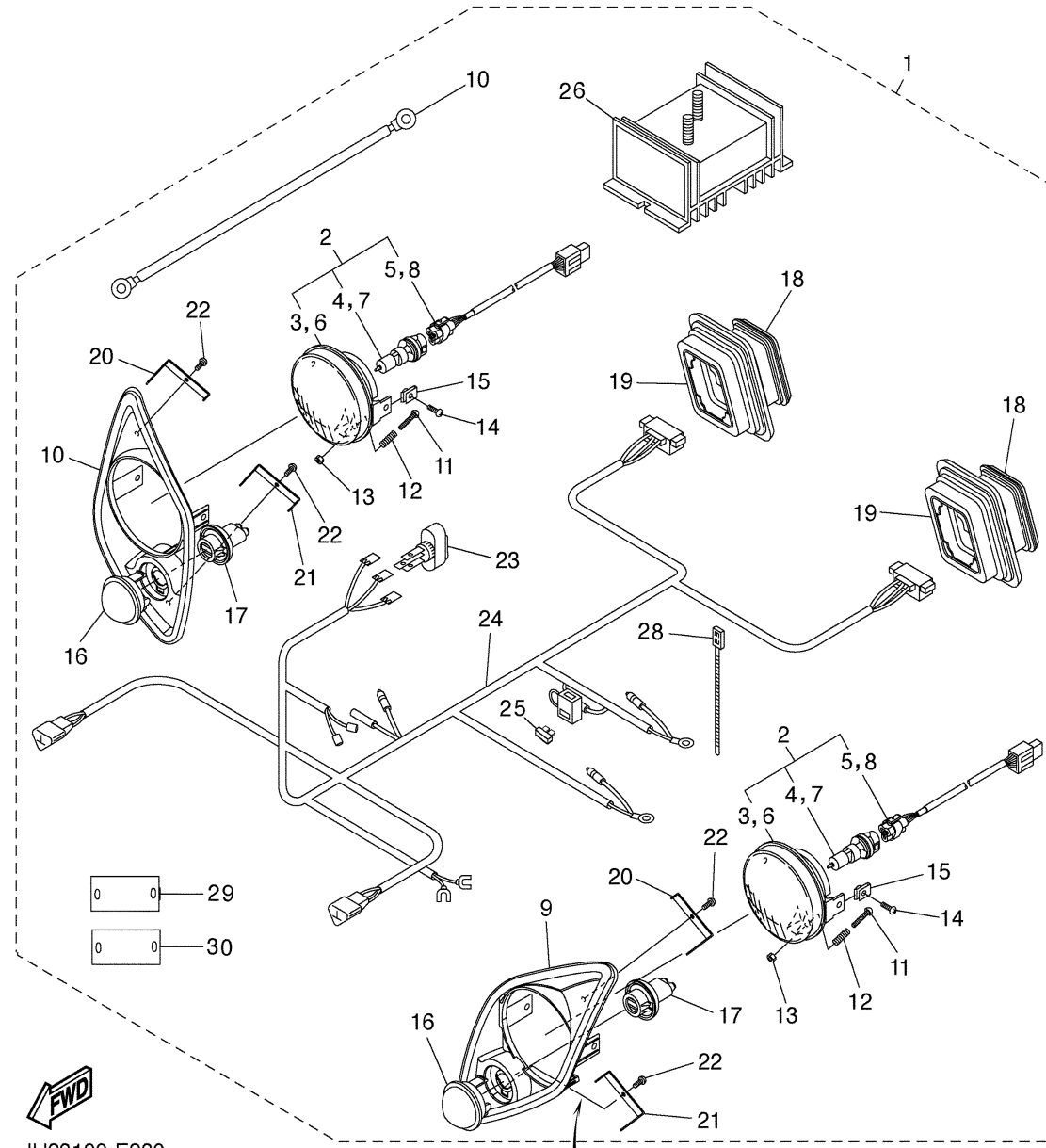
Ref. No.	Part Number	Description	Qty	Remarks
1	JU2-H430A-01-00	HEADLIGHT UNIT ASSEMBLY .	1	
2	5FU-H4300-00-00	. HEADLIGHT ASSY	2	UR, SEE NOTE A
	5FU-H4300-10-00	. HEADLIGHT ASSY	2	UR, SEE NOTE A
3	5FU-H4320-00-00	. . LENS ASSY	2	UR, USE WITH -00 ASSY
4	5FU-H4314-00-00	. . BULB, HEADLIGHT (12V-3030W)	2	UR, USE WITH-00 LENS
5	5FU-H4340-00-00	. . SOCKET CORD ASSY 1	2	UR-FOR -00 BULB
6	5FU-H4320-10-00	. . LENS ASSY	2	UR, USE WITH -10 ASSY
7	5FU-H4314-10-00	. . BULB, HEADLIGHT (12V-3030W)	2	UR, FOR -10 LENS
8	5FU-H4340-10-00	. . SOCKET CORD ASSY 1	2	UR-FOR -10 BULB
9	JU7-H411T-00-00	. HOLDER, 1	1	USE WITH 15MM SPRING, SEE NOTE B
	JU7-H411T-02-00	. HOLDER, 1	1	USE WITH 34MM SPRING, SEE NOTE B
10	JU7-H411U-00-00	. HOLDER, 2	1	USE WITH 15MM SPRING, SEE NOTE B
	JU7-H411U-02-00	. HOLDER, 2	1	USE WITH 34MM SPRING, SEE NOTE B
11	95807-03540-00	. SCREW, PAN HEAD	2	
12	2GU-84332-00-00	. SPRING, SCREW	2	UR, GOLD L=34MM (FOR -02 HOLDER WITH 25MM BOSS)
	90501-10060-00	. SPRING, SCREW	2	UR, BLACK L=15MM (FOR -00 HOLDER WITH 35MM BOSS)
13	2GU-84334-00-00	. NUT, ADJUSTING	2	
14	90150-05802-00	. SCREW, ROUND LEAD	4	
15	90183-05008-00	. NUT, SPRING	4	
16	JU7-H5415-00-00	. MARK, SIGNAL LAMP	2	
17	JU7-H3547-00-00	. COVER, SOCKET	2	

CONTENTS

ACCELERATOR	B2
BATTERY CHARGER	C8-9
BODY 1	B7-8
BODY 2	B9-10
BODY FITTING	B11
BRAKE 1	A10-11
BRAKE 2	A12
BRAKE 3	B1
BUMPER	B6
CARRIER	B12
CONTROLLER 1	C4-5
ELECTRIC MOTOR	C3
ELECTRICAL 1	C6-7
FRAME	A6
FRONT SUSPENSION WHEEL	A7-8
OPTIONAL GAUGES	D3
OPTIONAL HUB CAPS	C10
OPTIONAL LIGHT KIT	D4
OPTIONAL LIGHT KIT STREAMLINE JU2	D5-6
OPTIONAL SUN ROOF JN3	D1
OPTIONAL SUN ROOF JN6	D2
OPTIONAL WINDSHIELD JN3	C11
OPTIONAL WINDSHIELD JN6	C12
REAR ARM SUSPENSION	A5
REAR AXLE MOUNT WHEEL	B5
SEAT	C1-2
STEERING	A9
TRANSAXLE 1	B3-4
-MODELS IN THIS CATALOG	D7

CONTINUED ON NEXT FRAME ►

OPTIONAL LIGHT KIT STREAMLINE JU2



JU23100-E230

NOTE A: To order the correct service parts read the part number on the back of the lens assembly (5FU-H4320-00-00) or (5FU-H4320-10-00).

NOTE B: To determine which Holder (-00 or -02) you are working with, measure the Headlight Lens Adjusting Screw boss on the back of the Holder.

-00 = 35mm
-02 = 25mm

Ref. No.	Part Number	Description	Qty	Remarks
18	JU5-H4700-00-00	. TAILLIGHT ASSY	2	
19	JU5-H4718-00-00	. GROMMET	2	
20	JU7-H4118-01-00	. STAY, HEADLIGHT 1	2	
21	JU7-H4119-01-00	. STAY, HEADLIGHT 2	2	
22	97707-40112-00	. SCREW, TAPPING	4	
23	JU0-H3976-00-00	. SWITCH, HANDLE 1	1	
24	JU0-H4159-00-00	. CORD, HEADLIGHT	1	
25	42X-82151-00-00	. . FUSE (10A-BLADE)	1	
26	JR1-H1910-00-00	. VOLTAGE REGULATOR	1	
27	JR1-H4149-00-00	. WIRE, LEAD 2	1	
28	GCA-JU012-51-00	. CLAMP	20	
29	GCA-JU012-41-00	. REFLECTOR, AMBER	2	
30	GCA-JU012-42-00	. REFLECTOR, RED	2	

CONTENTS

ACCELERATOR	B2
BATTERY CHARGER	C8-9
BODY 1	B7-8
BODY 2	B9-10
BODY FITTING	B11
BRAKE 1	A10-11
BRAKE 2	A12
BRAKE 3	B1
BUMPER	B6
CARRIER	B12
CONTROLLER 1	C4-5
ELECTRIC MOTOR	C3
ELECTRICAL 1	C6-7
FRAME	A6
FRONT SUSPENSION WHEEL	A7-8
OPTIONAL GAUGES	D3
OPTIONAL HUB CAPS	C10
OPTIONAL LIGHT KIT	D4
OPTIONAL LIGHT KIT STREAMLINE JU2	D5-6
OPTIONAL SUN ROOF JN3	D1
OPTIONAL SUN ROOF JN6	D2
OPTIONAL WINDSHIELD JN3	C11
OPTIONAL WINDSHIELD JN6	C12
REAR ARM SUSPENSION	A5
REAR AXLE MOUNT WHEEL	B5
SEAT	C1-2
STEERING	A9
TRANSAXLE 1	B3-4
-MODELS IN THIS CATALOG	D7

~MODELS IN THIS CATALOG

- 1996 G19EP (JR1)**
STARTING FRAME: JR1-000101 and following
- 1997 G19ER (JR1)**
STARTING FRAME: JR1-100101 and following
- 1998 G19ES (JR1)**
STARTING FRAME: JR1-200101 and following
- 1999 G19ET (JR1)**
STARTING FRAME: JR1-300101 and following
- 2000 G19EU (JR1)**
STARTING FRAME: JR1-400101 and following
- 2001 G19EW (JR1)**
STARTING FRAME: JR1-500101 and following
- 2002 G19EX (JR1)**
STARTING FRAME: JR1-600101 and following

**ALL THESE MODELS USE THIS SAME PARTS CATALOG.
BE SURE TO ORDER ONLY THOSE PARTS APPLICABLE
TO THE DESIRED MODEL.**

Ref. No.	Part Number	Description	Qty	Remarks
-------------	----------------	-------------	-----	---------

CONTENTS	
ACCELERATOR	B2
BATTERY CHARGER	C8-9
BODY 1	B7-8
BODY 2	B9-10
BODY FITTING	B11
BRAKE 1	A10-11
BRAKE 2	A12
BRAKE 3	B1
BUMPER	B6
CARRIER	B12
CONTROLLER 1	C4-5
ELECTRIC MOTOR	C3
ELECTRICAL 1	C6-7
FRAME	A6
FRONT SUSPENSION WHEEL	A7-8
OPTIONAL GAUGES	D3
OPTIONAL HUB CAPS	C10
OPTIONAL LIGHT KIT	D4
OPTIONAL LIGHT KIT STREAMLINE JU2	D5-6
OPTIONAL SUN ROOF JN3	D1
OPTIONAL SUN ROOF JN6	D2
OPTIONAL WINDSHIELD JN3	C11
OPTIONAL WINDSHIELD JN6	C12
REAR ARM SUSPENSION	A5
REAR AXLE MOUNT WHEEL	B5
SEAT	C1-2
STEERING	A9
TRANSAXLE 1	B3-4
~MODELS IN THIS CATALOG	D7