

PARTS CATALOGUE GOLF CAR GAS

1983 G1AM3 (J24)

STARTING FRAME: J24-000101 and following

CONTENTS

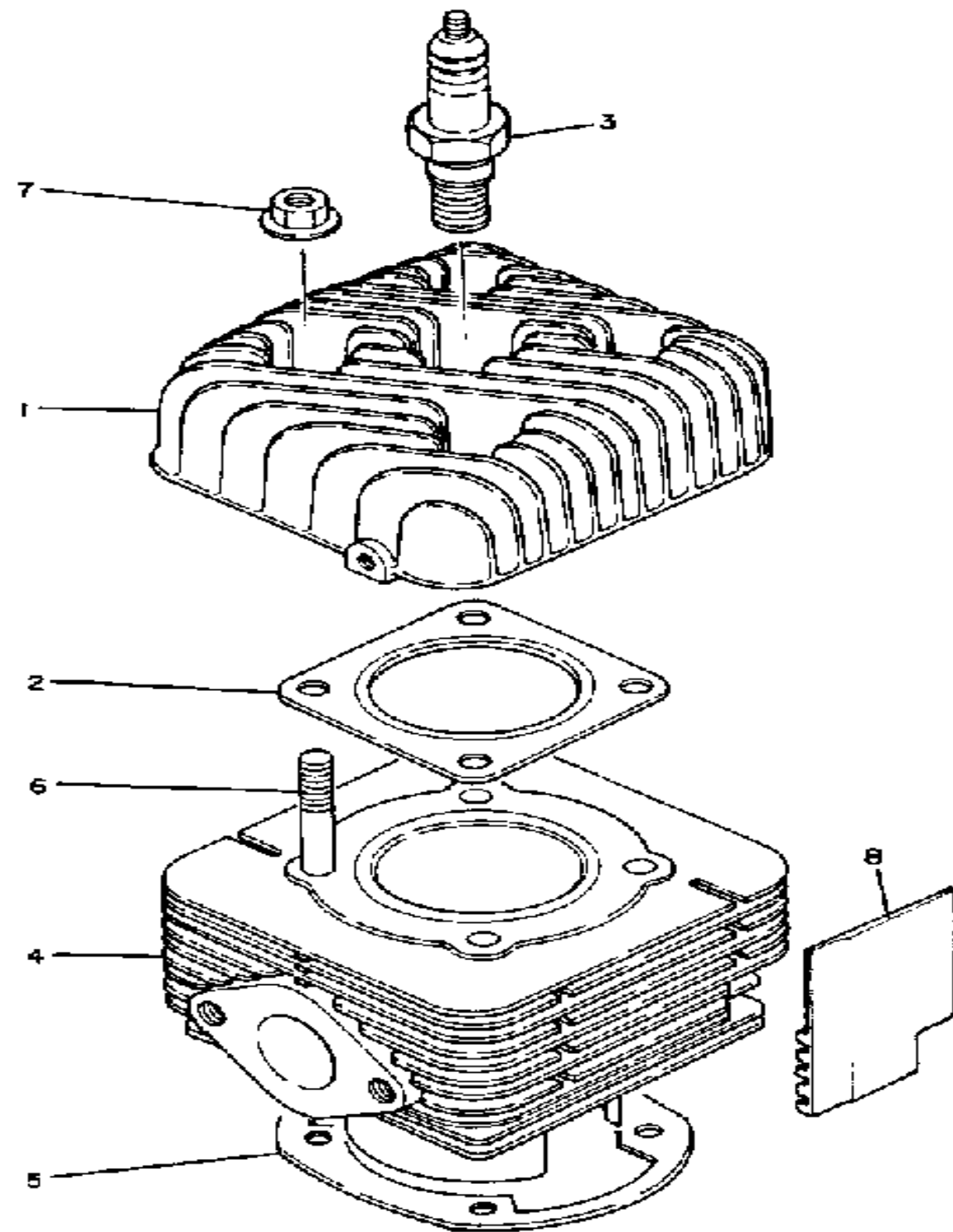
ACCELERATOR	C5
AIR FILTER	A8-9
AIR SHROUD FAN	A5
BODY	D2-3
BODY FITTING	D4-5
BRAKE	B12 ,C1-2
BUMPER	C12 ,D1
CARBURETOR	A10
CARRIER	D6-7
CDI MAGNETO	D12 ,E1
CRANKCASE	B1
CRANKSHAFT PISTON	A3-4
CYLINDER HEAD CYLINDER	A2
DRUM BRAKE	C3-4
ELECTRICAL 1	E2-3
EXHAUST	A11-12
FRAME	B3
FRONT SUSPENSION WHEEL	B4-6
FUEL TANK	B10-11
GOVERNOR	C6
OIL PUMP	A6
OIL TANK	B9
PRIMARY SHEAVE	C7
PUMP DRIVE GEAR	A7
REAR AXLE WHEEL	C11
REAR SHOCKS	B2
SEAT	D8
SECONDARY SHEAVE	C8
STARTER GENERATOR	D9-10
STARTER PULLEY	D11
STEERING	B7-8
TRANSMISSION	C9-10

CYLINDER HEAD CYLINDER

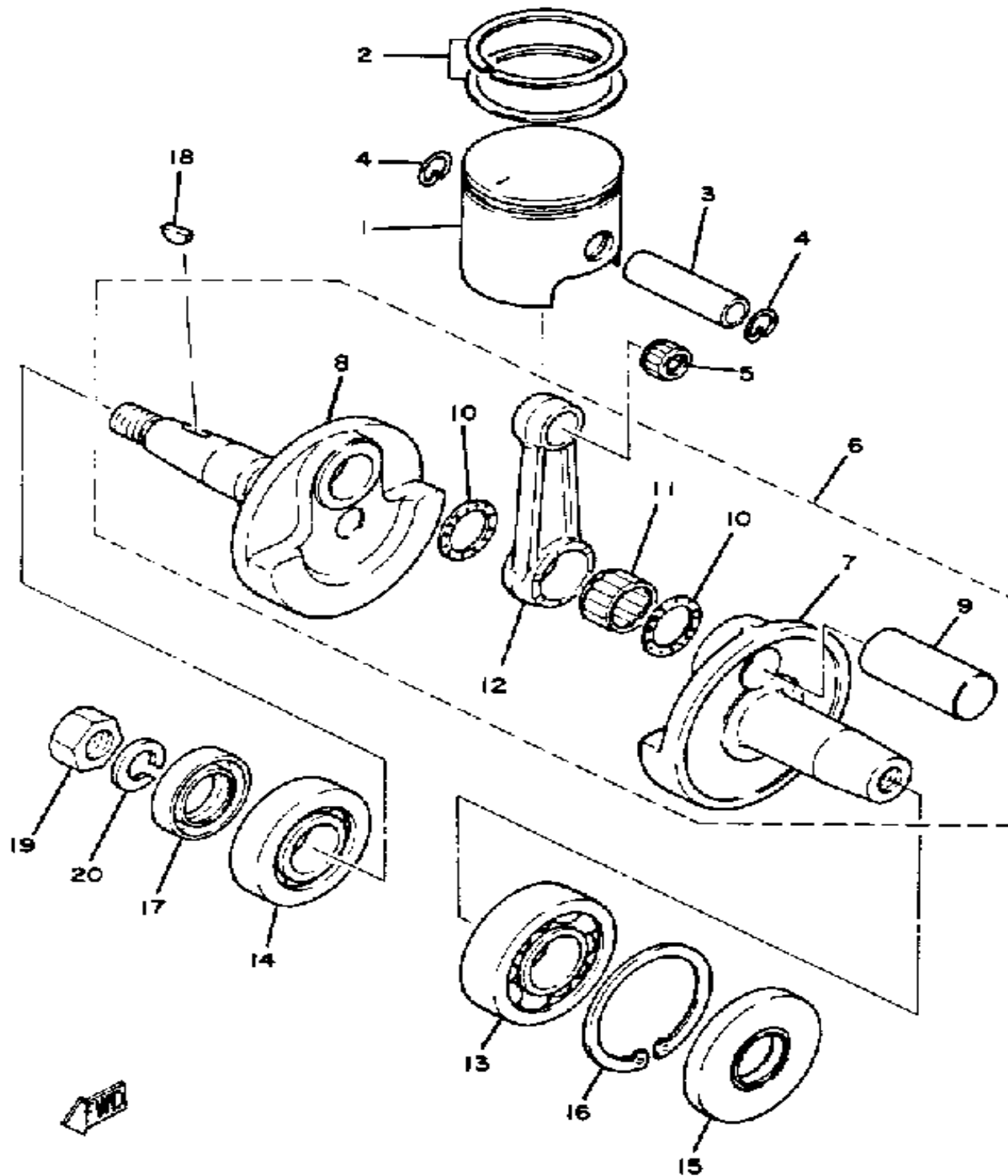
Ref. No.	Part Number	Description	Qty	Remarks
1	J10-11111-00-00	HEAD, CYLINDER 1	1	
2	J10-11181-00-00	GASKET, CYLINDER HEAD 1 .	1	
3	NGK-BP6HS-00-00	PLUG, SPARK (NGK BP6HS) ..	1	
4	J10-11311-00-00	CYLINDER 1	1	
5	881-11351-01-00	GASKET, CYLINDER	1	
6	90116-08254-00	BOLT, STUD	4	
7	95701-08500-00	NUT, FLANGE (95702-08500-00)	4	
8	J24-11127-00-00	ABSORBER 3	1	

CONTENTS

ACCELERATOR	C5
AIR FILTER	A8-9
AIR SHROUD FAN	A5
BODY	D2-3
BODY FITTING	D4-5
BRAKE	B12 ,C1-2
BUMPER	C12 ,D1
CARBURETOR	A10
CARRIER	D6-7
CDI MAGNETO	D12 ,E1
CRANKCASE	B1
CRANKSHAFT PISTON	A3-4
CYLINDER HEAD CYLINDER	A2
DRUM BRAKE	C3-4
ELECTRICAL 1	E2-3
EXHAUST	A11-12
FRAME	B3
FRONT SUSPENSION WHEEL	B4-6
FUEL TANK	B10-11
GOVERNOR	C6
OIL PUMP	A6
OIL TANK	B9
PRIMARY SHEAVE	C7
PUMP DRIVE GEAR	A7
REAR AXLE WHEEL	C11
REAR SHOCKS	B2
SEAT	D8
SECONDARY SHEAVE	C8
STARTER GENERATOR	D9-10
STARTER PULLEY	D11
STEERING	B7-8
TRANSMISSION	C9-10



CRANKSHAFT PISTON



Ref. No.	Part Number	Description	Qty	Remarks
1	J10-11631-00-96	PISTON STD	1	STD
	J10-11635-00-00	PISTON 1 O/S 0.25	1	
	J10-11636-00-00	PISTON 2 O/S 0.50	1	
	J10-11637-00-00	PISTON 3 O/S 0.75	1	
	J10-11638-00-00	PISTON 4 O/S 1.00	1	
2	J10-11610-00-00	PISTON RING SET STD	1	STD
	J10-11610-40-00	PISTON RINGSET 4TH (4TH O/S)	1	
	J10-11610-30-00	PISTON RINGSET 3RD (3RD O/S)	1	
	J10-11610-10-00	PISTON RING SET 1ST (1ST O/S)	1	
	J10-11610-20-00	PISTON RING SET 2ND (2ND O/S)	1	
3	818-11633-00-00	PIN, PISTON	1	
4	93450-20026-00	CIRCLIP	2	
5	93310-218A6-00	BEARING, CYLINDRICAL	1	
6	J10-11400-00-00	CRANKSHAFT ASSEMBLY	1	
7	J10-11412-00-00	. CRANK 1	1	
8	J10-11422-00-00	. CRANK 2	1	
9	857-11681-00-00	. PIN, CRANK 1	1	
10	90209-24073-00	. WASHER, SPECIAL SHAPE	2	
11	93310-42497-00	. BEARING, CYLINDER #0	1	
12	881-11651-00-00	. ROD, CONNECTING	1	
13	93306-30630-00	BEARING	1	
14	93306-20622-00	BEARING	1	
15	93102-30188-00	OIL SEAL, SD-TYPE	1	
16	93450-72048-00	CIRCLIP, INNER	1	
17	93102-30128-00	OIL SEAL, SD-TYPE	1	
18	90280-16053-00	KEY, WOODRUFF (90280-05048-00)	1	

CONTENTS

ACCELERATOR	C5
AIR FILTER	A8-9
AIR SHROUD FAN	A5
BODY	D2-3
BODY FITTING	D4-5
BRAKE	B12 ,C1-2
BUMPER	C12 ,D1
CARBURETOR	A10
CARRIER	D6-7
CDI MAGNETO	D12 ,E1
CRANKCASE	B1
CRANKSHAFT PISTON	A3-4
CYLINDER HEAD CYLINDER	A2
DRUM BRAKE	C3-4
ELECTRICAL 1	E2-3
EXHAUST	A11-12
FRAME	B3
FRONT SUSPENSION WHEEL	B4-6
FUEL TANK	B10-11
GOVERNOR	C6
OIL PUMP	A6
OIL TANK	B9
PRIMARY SHEAVE	C7
PUMP DRIVE GEAR	A7
REAR AXLE WHEEL	C11
REAR SHOCKS	B2
SEAT	D8
SECONDARY SHEAVE	C8
STARTER GENERATOR	D9-10
STARTER PULLEY	D11
STEERING	B7-8
TRANSMISSION	C9-10

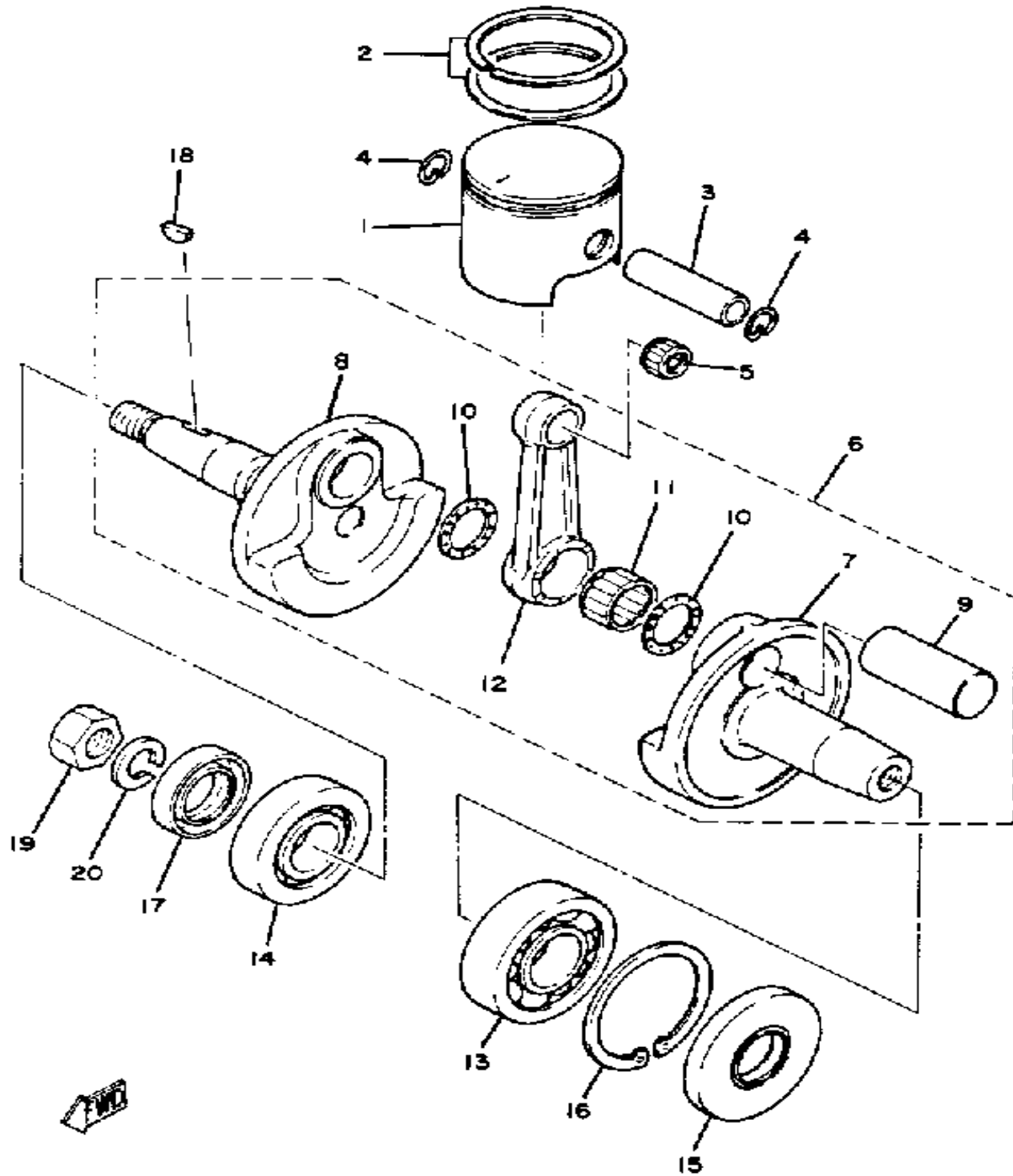
CONTINUED ON NEXT FRAME ►

CRANKSHAFT PISTON

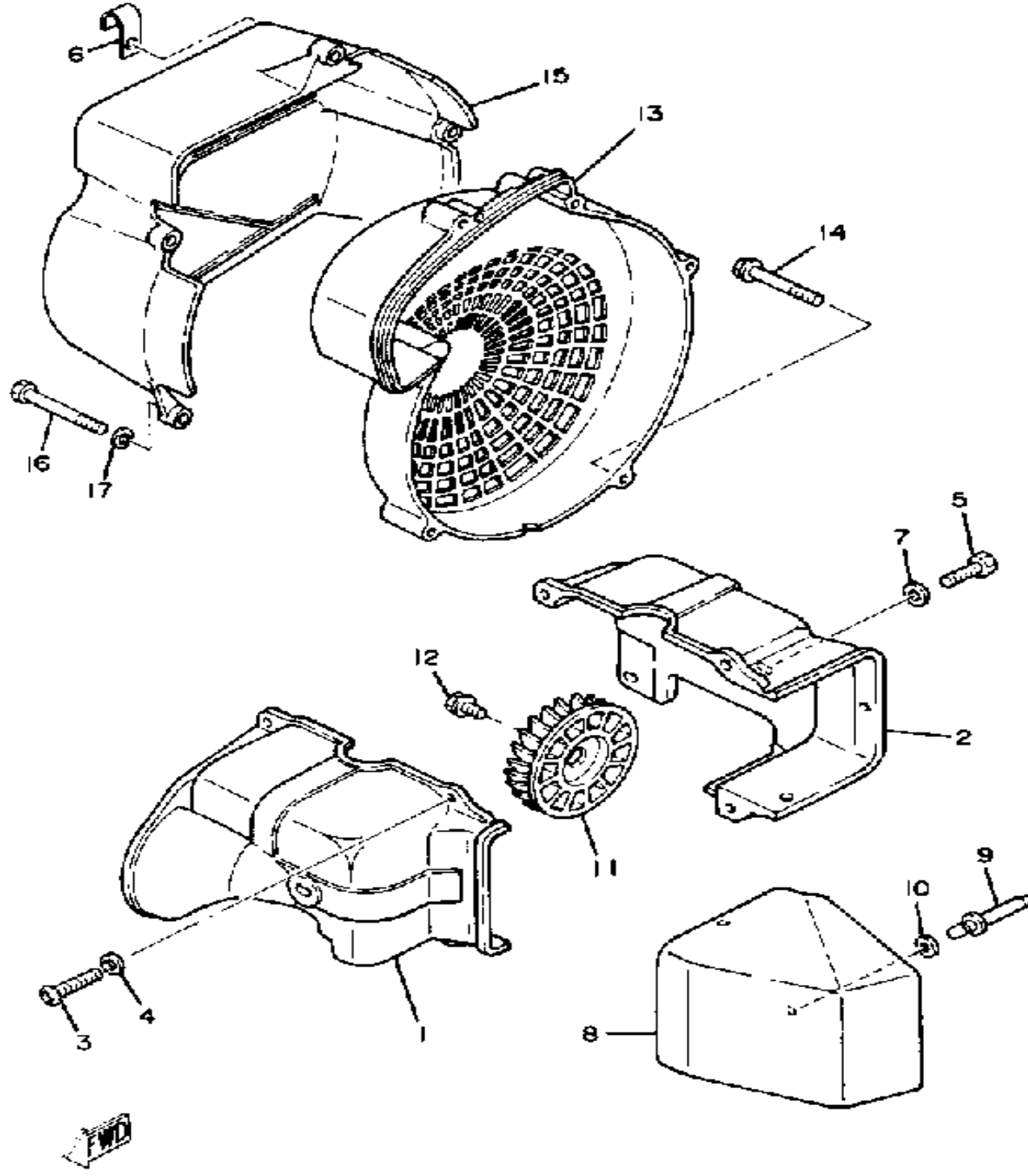
Ref. No.	Part Number	Description	Qty	Remarks
19	90170-16182-00	NUT	1	
20	92901-16100-00	WASHER, SPRING	1	

CONTENTS

ACCELERATOR	C5
AIR FILTER	A8-9
AIR SHROUD FAN	A5
BODY	D2-3
BODY FITTING	D4-5
BRAKE	B12 ,C1-2
BUMPER	C12 ,D1
CARBURETOR	A10
CARRIER	D6-7
CDI MAGNETO	D12 ,E1
CRANKCASE	B1
CRANKSHAFT PISTON	A3-4
CYLINDER HEAD CYLINDER	A2
DRUM BRAKE	C3-4
ELECTRICAL 1	E2-3
EXHAUST	A11-12
FRAME	B3
FRONT SUSPENSION WHEEL	B4-6
FUEL TANK	B10-11
GOVERNOR	C6
OIL PUMP	A6
OIL TANK	B9
PRIMARY SHEAVE	C7
PUMP DRIVE GEAR	A7
REAR AXLE WHEEL	C11
REAR SHOCKS	B2
SEAT	D8
SECONDARY SHEAVE	C8
STARTER GENERATOR	D9-10
STARTER PULLEY	D11
STEERING	B7-8
TRANSMISSION	C9-10



AIR SHROUD FAN



Ref. No.	Part Number	Description	Qty	Remarks
1	J10-12651-00-00	AIR SHROUD, CYLINDER 1 ...	1	
2	J24-12652-00-00	AIR SHROUD, CYLINDER 2 ...	1	
3	98503-06014-00	SCREW, PAN HEAD (92502-06016-00)	5	
4	92901-06600-00	WASHER	5	
5	97313-06016-00	BOLT, HEXAGON	4	
6	90462-08056-00	CLAMP	1	
7	90201-065F3-00	WASHER, PLATE	4	
8	J10-12631-00-00	DEFLECTOR 1	1	
9	90267-48086-00	RIVET, BLIND	3	
10	90201-04325-00	WASHER, PLATE	3	
11	8G8-12611-01-00	FAN	1	
12	95811-06012-00	BOLT, FLANGE	6	
13	J10-12621-01-00	CASE, FAN	1	
14	95811-06050-00	BOLT, FLANGE	1	
15	J24-12616-00-00	COVER, FAN CASE	1	
16	97313-06060-00	BOLT, HEXAGON	4	
17	92901-06600-00	WASHER	4	

CONTENTS

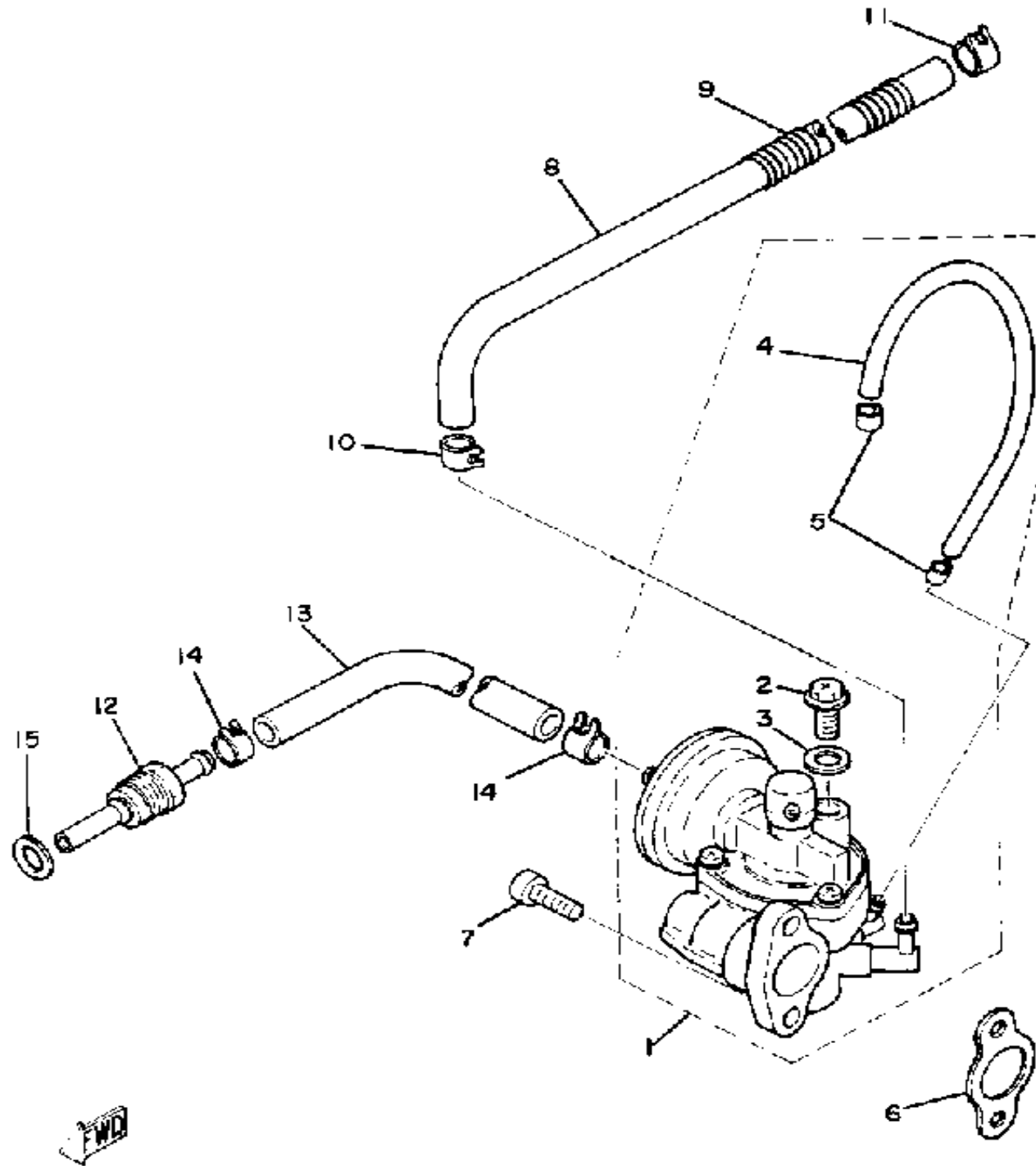
ACCELERATOR	C5
AIR FILTER	A8-9
AIR SHROUD FAN	A5
BODY	D2-3
BODY FITTING	D4-5
BRAKE	B12 ,C1-2
BUMPER	C12 ,D1
CARBURETOR	A10
CARRIER	D6-7
CDI MAGNETO	D12 ,E1
CRANKCASE	B1
CRANKSHAFT PISTON	A3-4
CYLINDER HEAD CYLINDER	A2
DRUM BRAKE	C3-4
ELECTRICAL 1	E2-3
EXHAUST	A11-12
FRAME	B3
FRONT SUSPENSION WHEEL	B4-6
FUEL TANK	B10-11
GOVERNOR	C6
OIL PUMP	A6
OIL TANK	B9
PRIMARY SHEAVE	C7
PUMP DRIVE GEAR	A7
REAR AXLE WHEEL	C11
REAR SHOCKS	B2
SEAT	D8
SECONDARY SHEAVE	C8
STARTER GENERATOR	D9-10
STARTER PULLEY	D11
STEERING	B7-8
TRANSMISSION	C9-10

OIL PUMP

Ref. No.	Part Number	Description	Qty	Remarks
1	J24-13101-00-00	OIL PUMP ASSEMBLY	1	
2	90401-06001-00	. BOLT, UNION	1	
3	90430-06180-00	. GASKET	1	
4	90445-05214-00	. HOSE	1	
5	90468-02033-00	. CLIP	2	
6	3MT-13116-00-00	GASKET, PUMP CASE (8Y0-13116-00-00)	1	
7	98580-05016-00	SCREW, PAN HEAD	2	
8	90445-09635-00	HOSE	1	
9	90501-08430-00	SPRING, COMPRESSION	1	
10	90467-09005-00	CLIP, SCISSOR	1	
11	90467-09026-00	CLIP	1	
12	J10-13283-00-00	JET, SENSOR	1	
13	90445-11634-00	HOSE	1	
14	90467-10035-00	CLIP	2	
15	90201-08624-00	WASHER, PLATE	1	

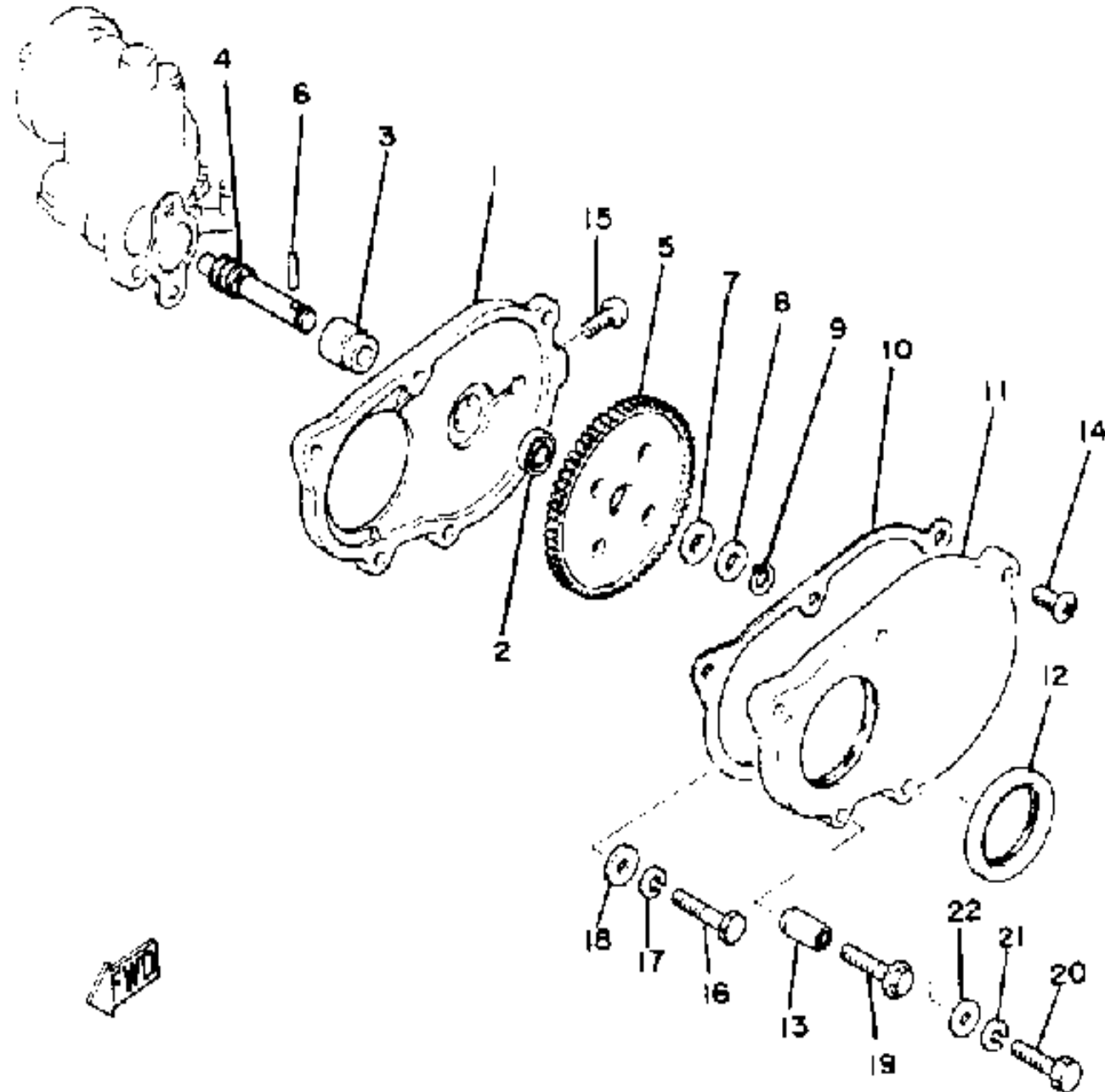
CONTENTS

ACCELERATOR	C5
AIR FILTER	A8-9
AIR SHROUD FAN	A5
BODY	D2-3
BODY FITTING	D4-5
BRAKE	B12 ,C1-2
BUMPER	C12 ,D1
CARBURETOR	A10
CARRIER	D6-7
CDI MAGNETO	D12 ,E1
CRANKCASE	B1
CRANKSHAFT PISTON	A3-4
CYLINDER HEAD CYLINDER	A2
DRUM BRAKE	C3-4
ELECTRICAL 1	E2-3
EXHAUST	A11-12
FRAME	B3
FRONT SUSPENSION WHEEL	B4-6
FUEL TANK	B10-11
GOVERNOR	C6
OIL PUMP	A6
OIL TANK	B9
PRIMARY SHEAVE	C7
PUMP DRIVE GEAR	A7
REAR AXLE WHEEL	C11
REAR SHOCKS	B2
SEAT	D8
SECONDARY SHEAVE	C8
STARTER GENERATOR	D9-10
STARTER PULLEY	D11
STEERING	B7-8
TRANSMISSION	C9-10



A6

PUMP DRIVE GEAR

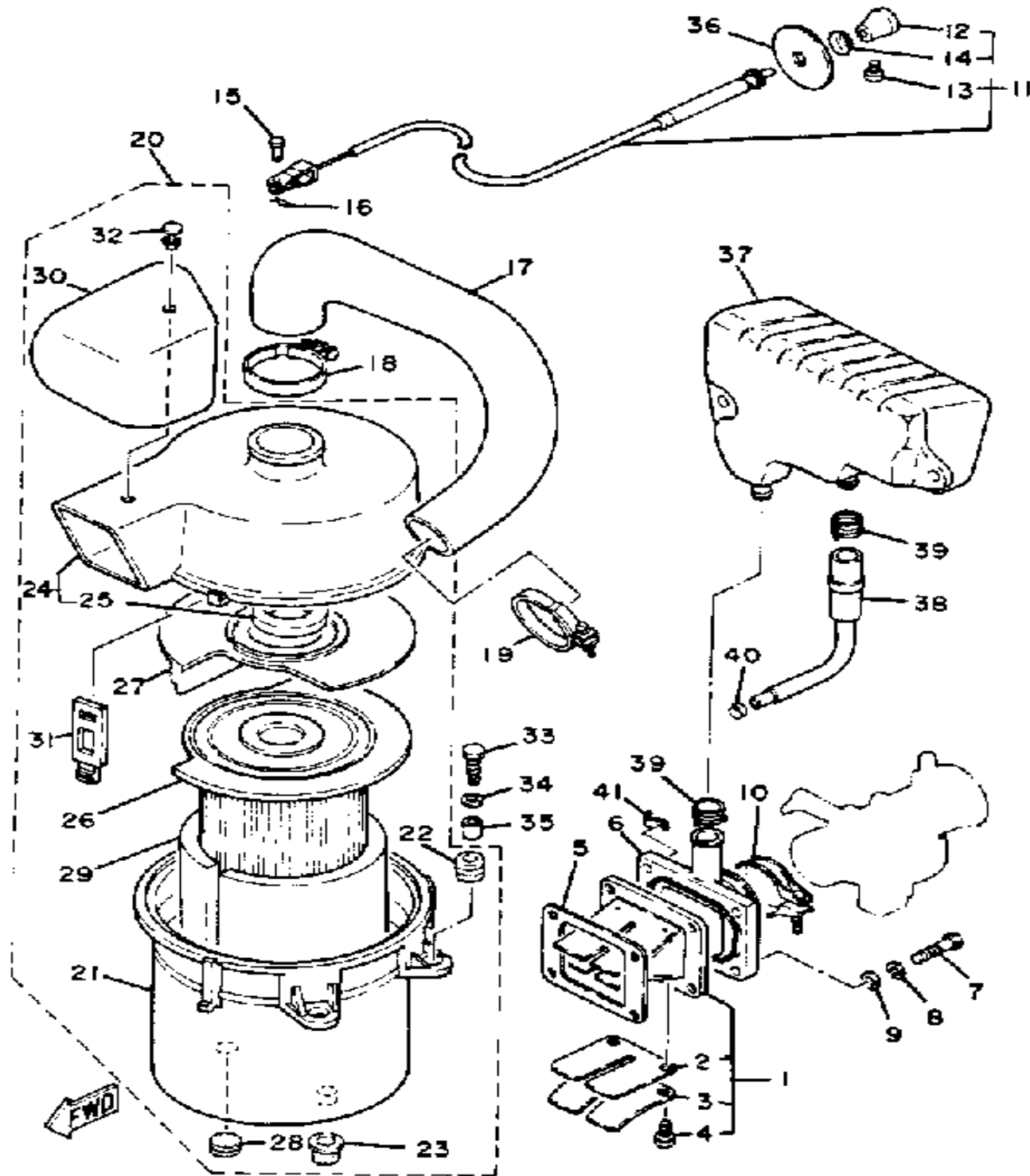


Ref. No.	Part Number	Description	Qty	Remarks
1	J10-15416-00-00	COVER, OIL PUMP	1	
2	93101-10090-00	OIL SEAL	1	
3	1E7-13176-00-00	METAL, WORM SHAFT OTR ...	1	
4	J10-13175-00-00	SHAFT, WORM	1	
5	J10-13188-00-00	GEAR, DRIVE	1	
6	93603-22028-00	PIN, DOWEL	1	
7	90206-11016-00	WASHER, WAVE	1	
8	137-13148-00-00	PLATE, CAM THRUST	1	
9	99009-10400-00	CIRCLIP	1	
10	J10-15466-00-00	GASKET 2	1	
11	J10-15426-00-00	COVER, OIL PUMP R	1	
12	93112-53004-00	OIL SEAL, SR-TYPE	1	
13	91810-18025-00	PIN, DOWEL	2	
14	98580-06018-00	SCREW, PAN HEAD (N15)	2	
15	98580-06012-00	SCREW, PAN HEAD (92501-06012-00)	1	
16	97313-08035-00	BOLT, HEXAGON	1	
17	92990-08100-00	WASHER	1	
18	92901-08600-00	WASHER	1	
19	95811-06035-00	BOLT, FLANGE	2	
20	97021-06030-00	BOLT	1	
21	92995-06100-00	WASHER, SPRING (92990-06100-00)	1	
22	92901-06600-00	WASHER	1	

CONTENTS

ACCELERATOR	C5
AIR FILTER	A8-9
AIR SHROUD FAN	A5
BODY	D2-3
BODY FITTING	D4-5
BRAKE	B12 ,C1-2
BUMPER	C12 ,D1
CARBURETOR	A10
CARRIER	D6-7
CDI MAGNETO	D12 ,E1
CRANKCASE	B1
CRANKSHAFT PISTON	A3-4
CYLINDER HEAD CYLINDER	A2
DRUM BRAKE	C3-4
ELECTRICAL 1	E2-3
EXHAUST	A11-12
FRAME	B3
FRONT SUSPENSION WHEEL	B4-6
FUEL TANK	B10-11
GOVERNOR	C6
OIL PUMP	A6
OIL TANK	B9
PRIMARY SHEAVE	C7
PUMP DRIVE GEAR	A7
REAR AXLE WHEEL	C11
REAR SHOCKS	B2
SEAT	D8
SECONDARY SHEAVE	C8
STARTER GENERATOR	D9-10
STARTER PULLEY	D11
STEERING	B7-8
TRANSMISSION	C9-10

AIR FILTER



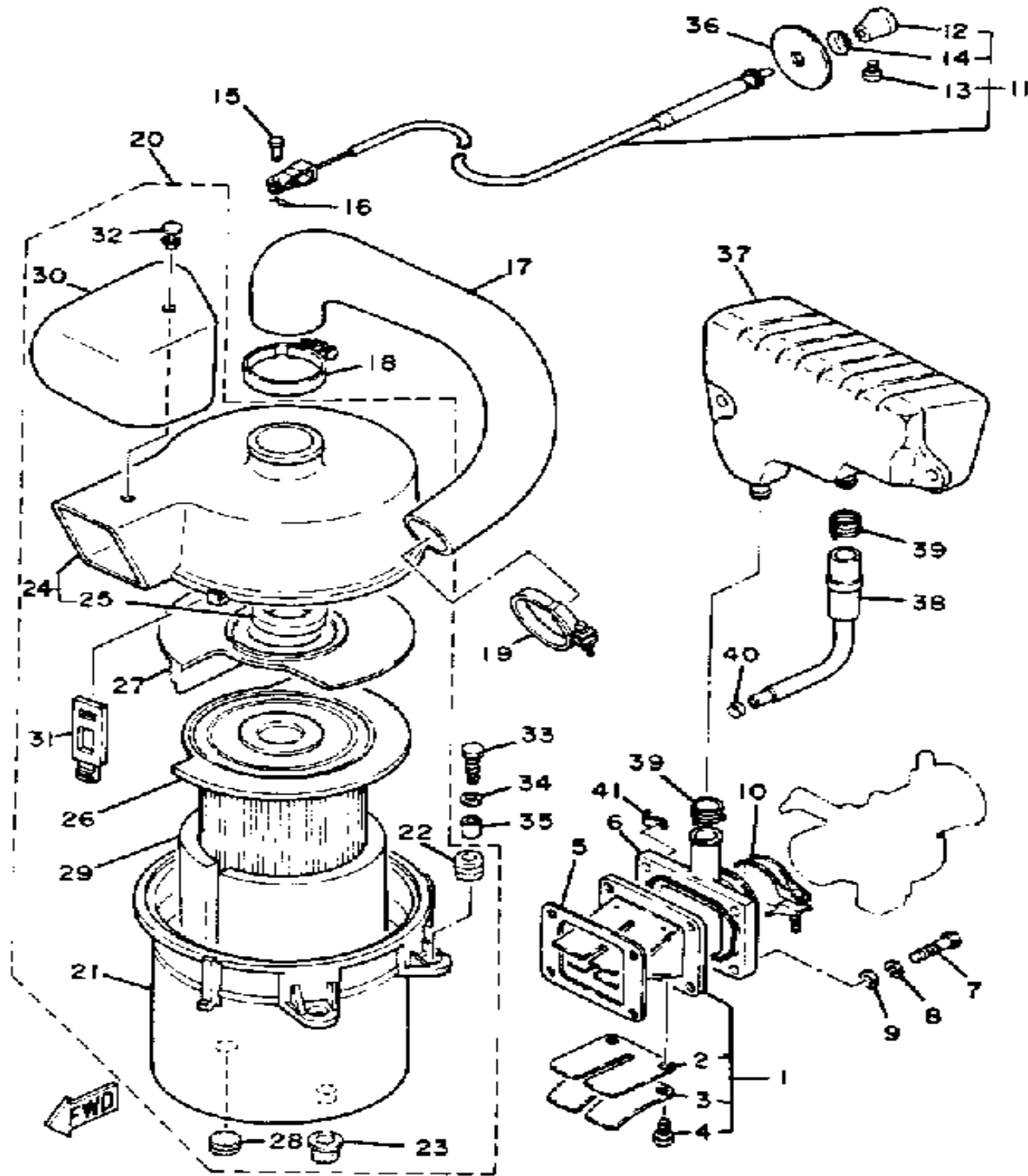
Ref. No.	Part Number	Description	Qty	Remarks
1	10V-13610-01-00	REED VALVE ASSEMBLY (885-13610-00-00)	1	
2	10V-13613-01-00	. REED, VALVE (1L8-13613-00-00)	2	
3	1UA-13616-00-00	. STOPPER, REED VALVE (10V-12616-01-00)	2	
4	98580-03008-00	. SCREW, PAN HEAD (98501-03008-00)	4	
5	3TT-13621-00-00	GASKET, VALVE SEAT	1	
6	J24-13586-00-00	JOINT, CARBURETOR 1	1	
7	97021-06030-00	BOLT	4	
8	92995-06100-00	WASHER, SPRING (92990-06100-00)	4	
9	92901-06600-00	WASHER	4	
10	90460-41191-00	CLAMP, HOSE (90460-41146-00)	1	
11	J10-26331-02-00	CABLE, STARTER 1	1	
12	J10-26325-00-00	. KNOB, STARTER	1	
13	90149-03132-00	. SCREW, SPECIAL SHAPE	1	
14	J17-26339-09-00	. BOOT	1	
15	91701-05010-00	PIN, CLEVIS	1	
16	90468-10050-00	CLIP	1	
17	J10-14453-00-00	JOINT, AIR CLNR 1	1	
18	90460-41191-00	CLAMP, HOSE (90460-41146-00)	1	
19	90460-53239-00	CLAMP, HOSE	1	
20	J17-14410-00-00	AIR CLEANER ASSEMBLY 1	1	
21	J10-14411-01-00	. CASE, AIR CLEANER 1	1	
22	90480-13238-00	. GROMMET	2	
23	90480-14239-00	. GROMMET	2	
24	J17-W1443-00-00	. CAP, CLEANER CASE 1 (J17-14412-01-00)	1	
25	J10-14416-00-00	. . GASKET, AIR CLEANER	1	
26	J10-14450-10-00	. ELEMENT ASSY, AIR CLEANER	1	

CONTENTS

ACCELERATOR	C5
AIR FILTER	A8-9
AIR SHROUD FAN	A5
BODY	D2-3
BODY FITTING	D4-5
BRAKE	B12 ,C1-2
BUMPER	C12 ,D1
CARBURETOR	A10
CARRIER	D6-7
CDI MAGNETO	D12 ,E1
CRANKCASE	B1
CRANKSHAFT PISTON	A3-4
CYLINDER HEAD CYLINDER	A2
DRUM BRAKE	C3-4
ELECTRICAL 1	E2-3
EXHAUST	A11-12
FRAME	B3
FRONT SUSPENSION WHEEL	B4-6
FUEL TANK	B10-11
GOVERNOR	C6
OIL PUMP	A6
OIL TANK	B9
PRIMARY SHEAVE	C7
PUMP DRIVE GEAR	A7
REAR AXLE WHEEL	C11
REAR SHOCKS	B2
SEAT	D8
SECONDARY SHEAVE	C8
STARTER GENERATOR	D9-10
STARTER PULLEY	D11
STEERING	B7-8
TRANSMISSION	C9-10

CONTINUED ON NEXT FRAME ➤

AIR FILTER

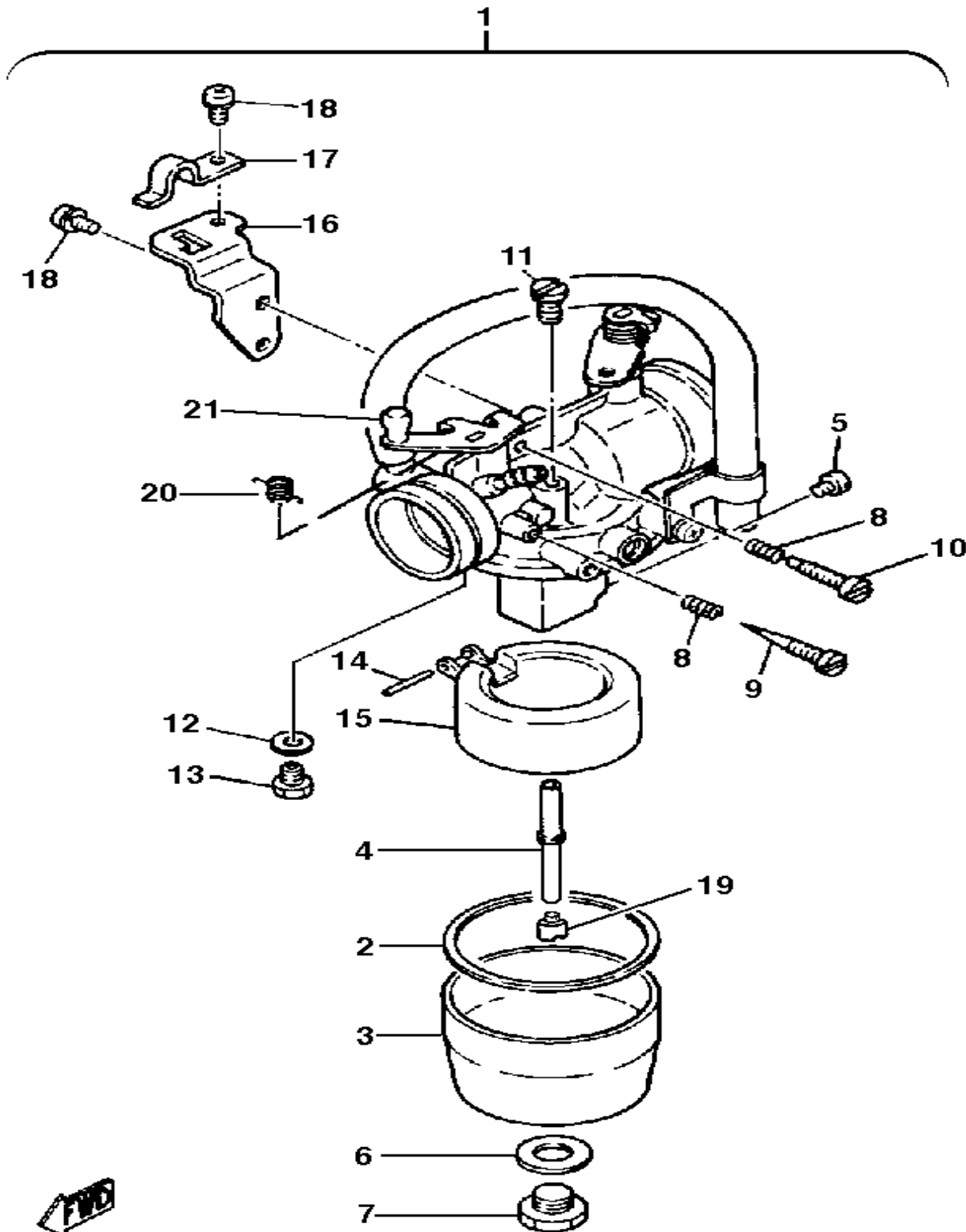


Ref. No.	Part Number	Description	Qty	Remarks
27	J10-1441F-00-00	. PARTN, AIR CLEANER CASE	1	
28	90480-14100-00	. GROMMET	1	
29	J10-14417-00-00	. COVER 1	1	
30	J17-12644-00-00	. DEFLECTOR 3	1	
31	J10-14436-00-00	. HOOK	3	
32	90269-65032-00	. RIVET, SPECIAL SHAPE	1	
33	97003-06022-00	BOLT, HEXAGON (97301-06022-00)	2	
34	90201-065F3-00	WASHER, PLATE	1	
35	90387-06026-00	COLLAR	1	
36	90201-114E6-00	WASHER, PLATE	1	
37	J24-13581-00-00	CHAMBER, AIR	1	
38	J24-14388-00-00	VALVE, VAC CONTROL	1	
39	90468-08104-00	CLIP	2	
40	90468-02025-00	CLIP	2	
41	90462-08056-00	CLAMP	1	

CONTENTS

ACCELERATOR	C5
AIR FILTER	A8-9
AIR SHROUD FAN	A5
BODY	D2-3
BODY FITTING	D4-5
BRAKE	B12 ,C1-2
BUMPER	C12 ,D1
CARBURETOR	A10
CARRIER	D6-7
CDI MAGNETO	D12 ,E1
CRANKCASE	B1
CRANKSHAFT PISTON	A3-4
CYLINDER HEAD CYLINDER	A2
DRUM BRAKE	C3-4
ELECTRICAL 1	E2-3
EXHAUST	A11-12
FRAME	B3
FRONT SUSPENSION WHEEL	B4-6
FUEL TANK	B10-11
GOVERNOR	C6
OIL PUMP	A6
OIL TANK	B9
PRIMARY SHEAVE	C7
PUMP DRIVE GEAR	A7
REAR AXLE WHEEL	C11
REAR SHOCKS	B2
SEAT	D8
SECONDARY SHEAVE	C8
STARTER GENERATOR	D9-10
STARTER PULLEY	D11
STEERING	B7-8
TRANSMISSION	C9-10

CARBURETOR



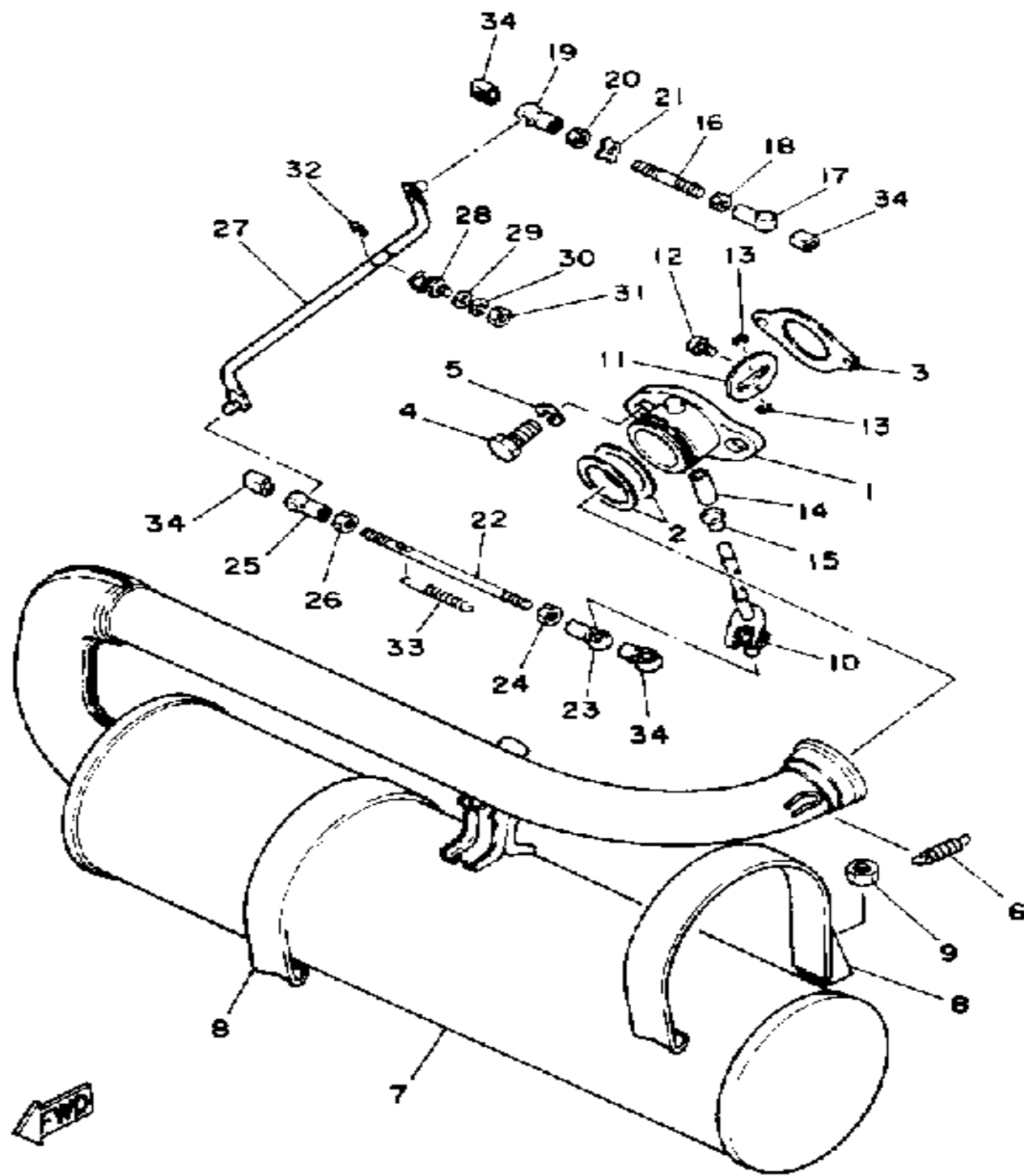
FWD
J24100-3070

Ref. No.	Part Number	Description	Qty	Remarks
1	J24-14101-01-00	CARBURETOR 1 (J24-14101-00-00)	1	
2	796-14184-00-00	. GASKET, FLOAT CHAMBER	1	
3	796-14181-00-00	. BODY, FLOAT CHMBER 1	1	
4	J17-14141-00-00	. NOZZLE, MAIN	1	
5	3G2-14231-19-00	. JET, POWER (# 95)	1	
6	732-14237-00-00	. GASKET	1	
7	J10-14244-00-00	. HOLDER, NOZZLE	1	
8	620-14212-00-00	. SPRING, PILOT ADJUSTING	2	
9	620-14211-00-00	. SCREW, PILOT ADJUSTING	1	
10	J10-14122-00-00	. SCREW, THROTTLE	1	
11	620-14142-08-00	JET, PILOT #40	1	AP
	620-14142-37-00	JET, PILOT #37 5	1	AP
	620-14142-32-00	. JET, PILOT #32	1	STD
	620-14142-42-00	JET, PILOT #42 5	1	AP
	620-14142-35-00	JET, PILOT #35	1	AP
12	127-14195-00-00	. WASHER, NEEDLE VALVE	1	
13	353-14190-10-00	. NEEDLE VALVE ASSEMBLY	1	
14	796-14186-00-00	. PIN, FLOAT	1	
15	796-14185-00-00	. FLOAT	1	
16	J10-14581-00-00	. BRACKET	1	
17	J10-14243-00-00	. PLATE	1	
18	98580-03008-00	. SCREW, PAN HEAD (98501-03008-00)	2	
19	3G2-14231-18-00	JET, MAIN (#90)	1	AP
	3G2-1423A-69-00	JET, MAIN 92 5	1	AP
	3G2-1423A-70-00	JET, MAIN 97 5	1	AP
	256-14944-87-00	JET, MAIN #87 5	1	AP
	256-14944-17-00	. JET, MAIN 85	1	STD
20	J10-14131-00-00	. SPRING, THROTTLE	1	
21	J24-14202-09-00	. THROTTLE SHAFT ASSY	1	

CONTENTS

ACCELERATOR	C5
AIR FILTER	A8-9
AIR SHROUD FAN	A5
BODY	D2-3
BODY FITTING	D4-5
BRAKE	B12 ,C1-2
BUMPER	C12 ,D1
CARBURETOR	A10
CARRIER	D6-7
CDI MAGNETO	D12 ,E1
CRANKCASE	B1
CRANKSHAFT PISTON	A3-4
CYLINDER HEAD CYLINDER	A2
DRUM BRAKE	C3-4
ELECTRICAL 1	E2-3
EXHAUST	A11-12
FRAME	B3
FRONT SUSPENSION WHEEL	B4-6
FUEL TANK	B10-11
GOVERNOR	C6
OIL PUMP	A6
OIL TANK	B9
PRIMARY SHEAVE	C7
PUMP DRIVE GEAR	A7
REAR AXLE WHEEL	C11
REAR SHOCKS	B2
SEAT	D8
SECONDARY SHEAVE	C8
STARTER GENERATOR	D9-10
STARTER PULLEY	D11
STEERING	B7-8
TRANSMISSION	C9-10

EXHAUST



Ref. No.	Part Number	Description	Qty	Remarks
1	J24-14612-00-00	NUT, RING	1	
2	888-14633-00-00	RING	2	
3	J10-14613-00-00	GASKET, EXHAUST PIPE	1	
4	97013-08025-00	BOLT	2	
5	92990-08100-00	WASHER	2	
6	90506-20074-00	SPRING, TENSION	2	
7	J24-14610-00-00	EXHAUST PIPE ASSEMBLY L ..	1	
8	J10-14715-01-00	BAND, MUFFLER	2	
9	95611-08100-00	NUT, U	2	
10	J10-14813-01-00	SHAFT, BUTTERFLY	1	
11	J10-14812-02-00	VALVE, BUTTERFLY	1	
12	98580-03008-00	SCREW, PAN HEAD (98501-03008-00)	2	
13	99080-05600-00	CIRCLIP (93430-05027-00)	2	
14	J10-14815-00-00	GASKET	1	
15	J10-14818-00-00	COVER, GASKET	1	
16	J10-14836-00-00	ROD	1	
17	J10-14833-01-00	JOINT	1	
18	95311-05700-00	NUT	1	
19	J10-14864-01-00	JOINT	1	
20	90170-05190-00	NUT, HEXAGON	1	
21	J24-14842-00-00	PLATE, CON ROD	1	
22	J10-14837-00-00	CONNECTOR, ROD	1	
23	J10-14833-01-00	JOINT	1	
24	95311-05700-00	NUT	1	
25	J10-14864-01-00	JOINT	1	
26	90170-05190-00	NUT, HEXAGON	1	
27	J10-14802-00-00	CONNECTER COMP	1	
28	90464-07034-00	CLAMP	2	
29	92901-05600-00	WASHER, PLATE	2	

CONTENTS

ACCELERATOR	C5
AIR FILTER	A8-9
AIR SHROUD FAN	A5
BODY	D2-3
BODY FITTING	D4-5
BRAKE	B12 ,C1-2
BUMPER	C12 ,D1
CARBURETOR	A10
CARRIER	D6-7
CDI MAGNETO	D12 ,E1
CRANKCASE	B1
CRANKSHAFT PISTON	A3-4
CYLINDER HEAD CYLINDER	A2
DRUM BRAKE	C3-4
ELECTRICAL 1	E2-3
EXHAUST	A11-12
FRAME	B3
FRONT SUSPENSION WHEEL	B4-6
FUEL TANK	B10-11
GOVERNOR	C6
OIL PUMP	A6
OIL TANK	B9
PRIMARY SHEAVE	C7
PUMP DRIVE GEAR	A7
REAR AXLE WHEEL	C11
REAR SHOCKS	B2
SEAT	D8
SECONDARY SHEAVE	C8
STARTER GENERATOR	D9-10
STARTER PULLEY	D11
STEERING	B7-8
TRANSMISSION	C9-10

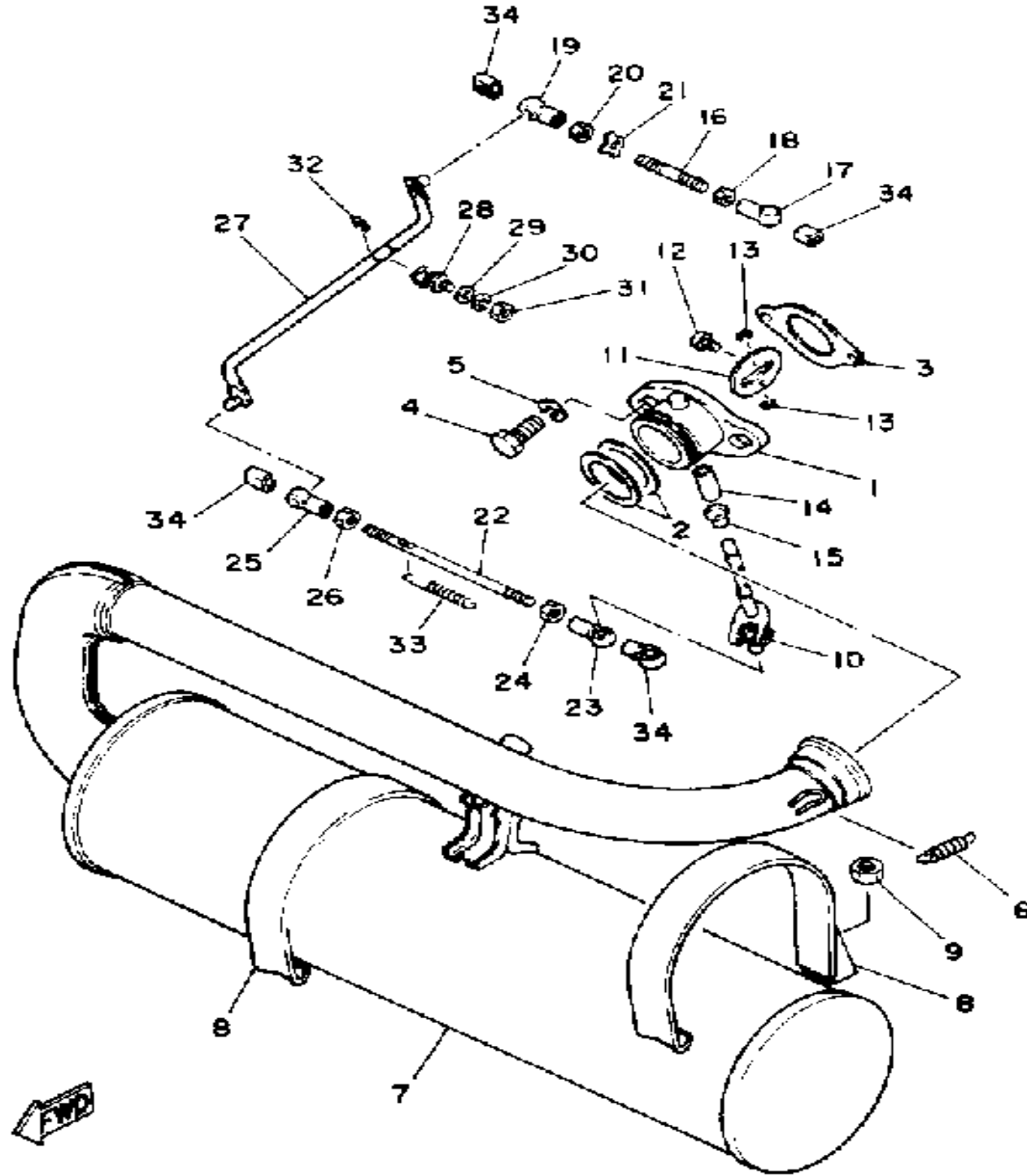
CONTINUED ON NEXT FRAME ►

EXHAUST

Ref. No.	Part Number	Description	Qty	Remarks
30	92990-05100-00	WASHER, SPRING	2	
31	95380-05600-00	NUT	2	
32	99009-06600-00	CIRCLIP	2	
33	90506-06201-00	SPRING, TENSION	1	
34	J24-14846-00-00	BOOT, ACTUATOR	4	

CONTENTS

ACCELERATOR	C5
AIR FILTER	A8-9
AIR SHROUD FAN	A5
BODY	D2-3
BODY FITTING	D4-5
BRAKE	B12 ,C1-2
BUMPER	C12 ,D1
CARBURETOR	A10
CARRIER	D6-7
CDI MAGNETO	D12 ,E1
CRANKCASE	B1
CRANKSHAFT PISTON	A3-4
CYLINDER HEAD CYLINDER	A2
DRUM BRAKE	C3-4
ELECTRICAL 1	E2-3
EXHAUST	A11-12
FRAME	B3
FRONT SUSPENSION WHEEL	B4-6
FUEL TANK	B10-11
GOVERNOR	C6
OIL PUMP	A6
OIL TANK	B9
PRIMARY SHEAVE	C7
PUMP DRIVE GEAR	A7
REAR AXLE WHEEL	C11
REAR SHOCKS	B2
SEAT	D8
SECONDARY SHEAVE	C8
STARTER GENERATOR	D9-10
STARTER PULLEY	D11
STEERING	B7-8
TRANSMISSION	C9-10

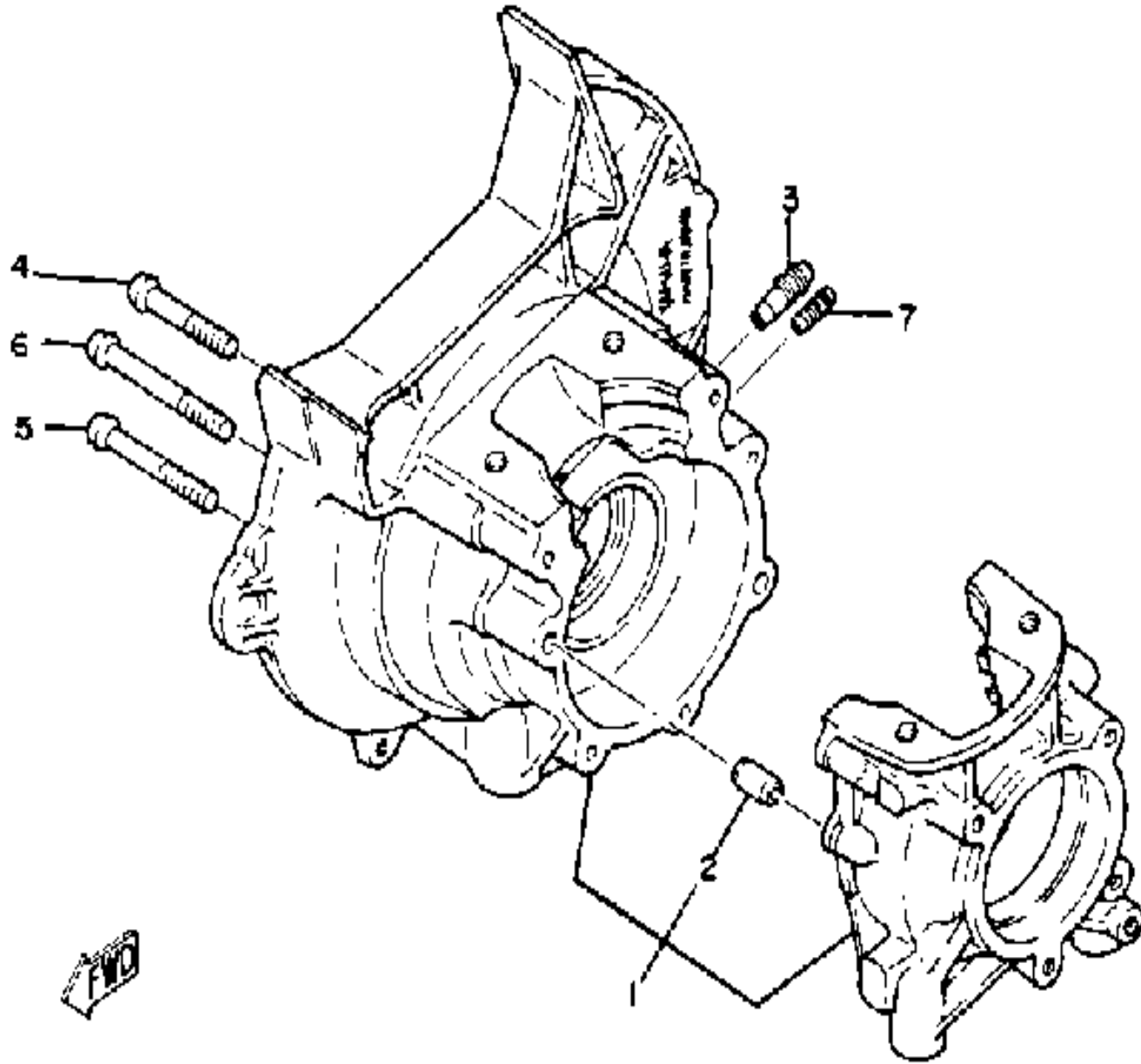


CRANKCASE

Ref. No.	Part Number	Description	Qty	Remarks
1	J24-15100-00-00	CRANKCASE ASSEMBLY	1	
2	99530-10014-00	. PIN, DOWEL	2	
3	J38-11116-00-00	JOINT, BREATHER	1	
4	98580-06545-00	SCREW, PAN HEAD (92503-06045-00)	5	
5	98580-06055-00	SCREW, PAN HEAD (92501-06065-00)	1	
6	98580-06565-00	SCREW, PAN HEAD	1	
7	18A-15138-00-00	NOZZLE 1	1	

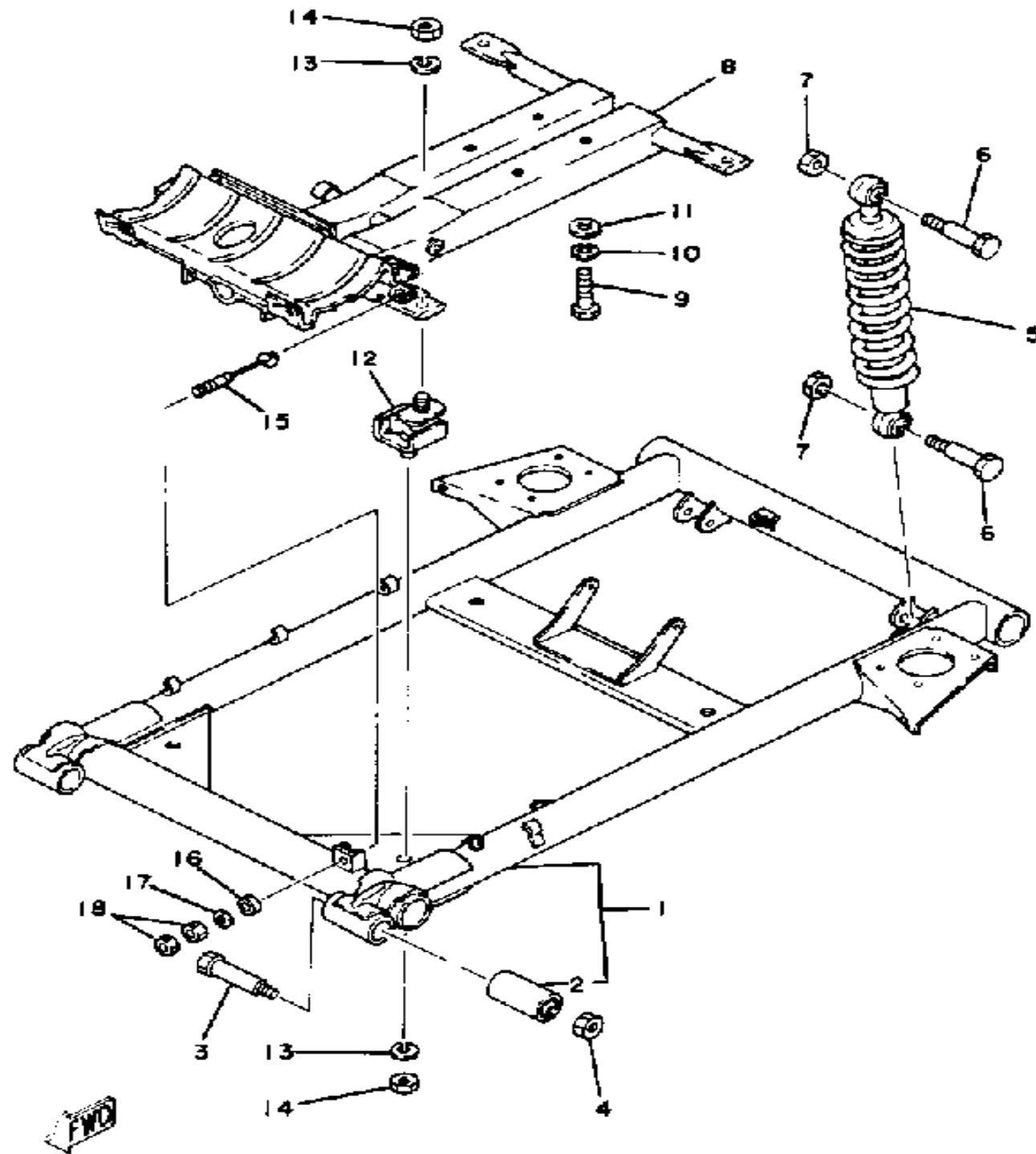
CONTENTS

ACCELERATOR	C5
AIR FILTER	A8-9
AIR SHROUD FAN	A5
BODY	D2-3
BODY FITTING	D4-5
BRAKE	B12 ,C1-2
BUMPER	C12 ,D1
CARBURETOR	A10
CARRIER	D6-7
CDI MAGNETO	D12 ,E1
CRANKCASE	B1
CRANKSHAFT PISTON	A3-4
CYLINDER HEAD CYLINDER	A2
DRUM BRAKE	C3-4
ELECTRICAL 1	E2-3
EXHAUST	A11-12
FRAME	B3
FRONT SUSPENSION WHEEL	B4-6
FUEL TANK	B10-11
GOVERNOR	C6
OIL PUMP	A6
OIL TANK	B9
PRIMARY SHEAVE	C7
PUMP DRIVE GEAR	A7
REAR AXLE WHEEL	C11
REAR SHOCKS	B2
SEAT	D8
SECONDARY SHEAVE	C8
STARTER GENERATOR	D9-10
STARTER PULLEY	D11
STEERING	B7-8
TRANSMISSION	C9-10



B1

REAR SHOCKS

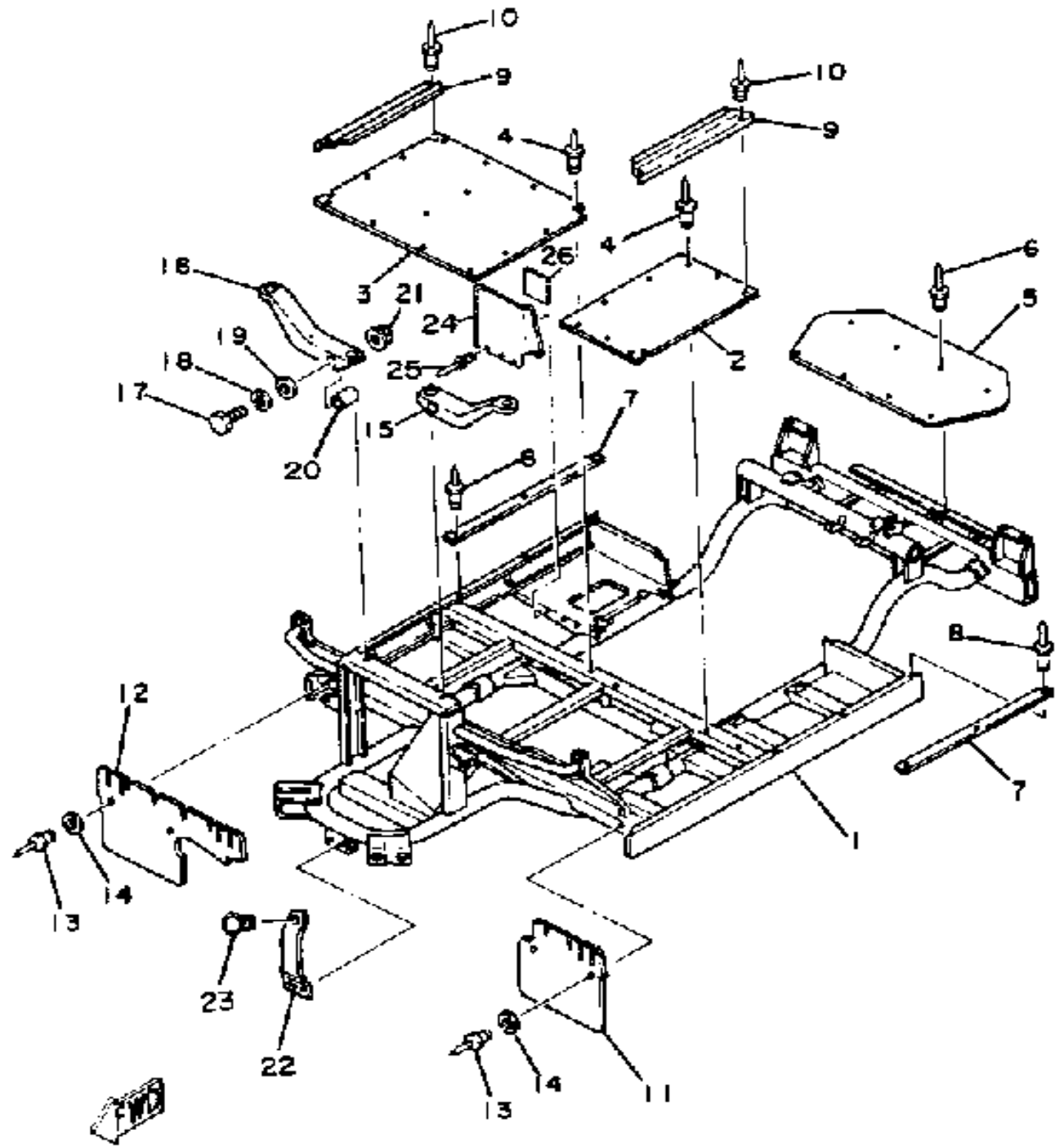


Ref. No.	Part Number	Description	Qty	Remarks
1	J17-W2211-00-00	REAR ARM	1	
2	J10-22123-00-00	. BUSH 1	2	
3	90101-10419-00	BOLT	2	
4	95612-10100-00	NUT, U	2	
5	J10-22210-00-00	SHK/ABS ASSEMBLY, REAR .	2	
6	97313-10050-00	BOLT, HEXAGON (676)	4	
7	95601-10100-00	NUT, U (95602-10100-00)	4	
8	J17-21411-00-00	BRACKET, ENGINE 1	1	
9	90106-10034-00	BOLT, DOME HEAD	4	
10	92990-10100-00	WASHER, SPRING	4	
11	90201-10131-00	WASHER, PLATE	4	
12	J10-21486-00-00	DAMPER 2	4	
13	92990-10100-00	WASHER, SPRING	8	
14	95303-10600-00	NUT (95301-10600-00)	8	
15	J31-2217J-01-00	TENSIONER 1	1	
16	J17-2214F-00-00	DAMPER 1	1	
17	90201-06778-00	WASHER, PLATE	1	
18	95380-06600-00	NUT (95303-06600-00)	2	

CONTENTS

ACCELERATOR	C5
AIR FILTER	A8-9
AIR SHROUD FAN	A5
BODY	D2-3
BODY FITTING	D4-5
BRAKE	B12 ,C1-2
BUMPER	C12 ,D1
CARBURETOR	A10
CARRIER	D6-7
CDI MAGNETO	D12 ,E1
CRANKCASE	B1
CRANKSHAFT PISTON	A3-4
CYLINDER HEAD CYLINDER	A2
DRUM BRAKE	C3-4
ELECTRICAL 1	E2-3
EXHAUST	A11-12
FRAME	B3
FRONT SUSPENSION WHEEL	B4-6
FUEL TANK	B10-11
GOVERNOR	C6
OIL PUMP	A6
OIL TANK	B9
PRIMARY SHEAVE	C7
PUMP DRIVE GEAR	A7
REAR AXLE WHEEL	C11
REAR SHOCKS	B2
SEAT	D8
SECONDARY SHEAVE	C8
STARTER GENERATOR	D9-10
STARTER PULLEY	D11
STEERING	B7-8
TRANSMISSION	C9-10

FRAME

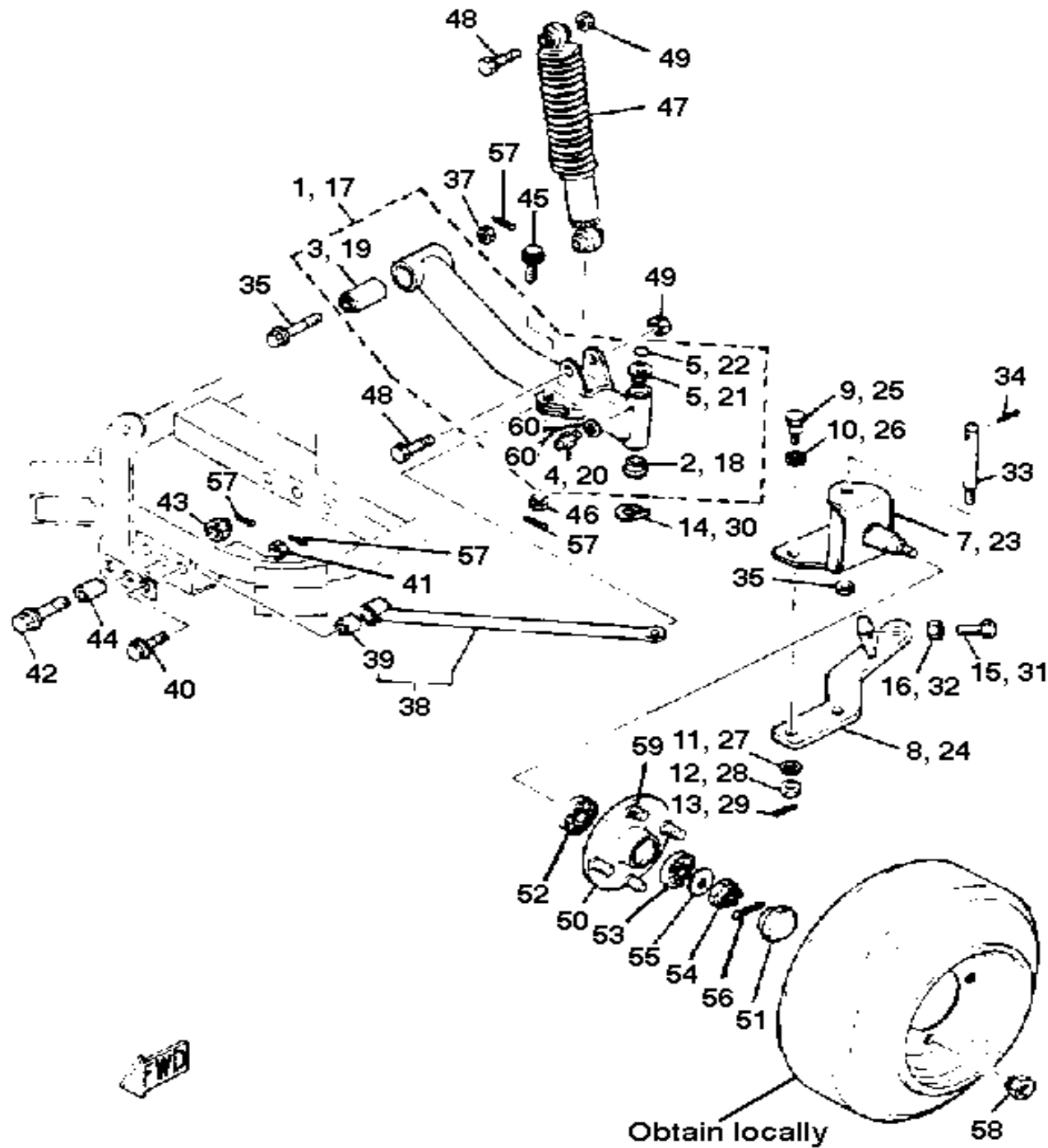


Ref. No.	Part Number	Description	Qty	Remarks
1	J17-22501-00-00	FRAME	1	
2	J17-22571-00-00	PANEL 1	1	
3	J17-22572-00-00	PANEL 2	1	
4	90267-40054-00	RIVET, BLIND	20	
5	J17-22573-00-00	PANEL 3	1	
6	90267-40076-00	RIVET, BLIND	8	
7	J17-78249-00-00	TRIM, FLOOR	2	
8	90267-40090-00	RIVET, BLIND	6	
9	J17-78181-00-00	PLATE 1	2	
10	90267-48086-00	RIVET, BLIND	4	
11	J17-78187-00-00	FLAP, FRONT FENDER	1	
12	J17-78189-00-00	FLAP, FRONT RIGHT	1	
13	90267-40075-00	RIVET, BLIND	5	
14	90201-05034-00	WASHER, PLATE	5	
15	J17-22567-00-00	SUPPORT 1	1	
16	J17-22568-00-00	SUPPORT 2	1	
17	97021-08065-00	BOLT	2	
18	92990-08100-00	WASHER	2	
19	92901-08600-00	WASHER	2	
20	90387-090G6-00	COLLAR	2	
21	95701-08500-00	NUT, FLANGE (95702-08500-00)	2	
22	J17-2258E-00-00	SUPPORT, COWL	1	
23	J11-77279-01-00	DAMPER, NOISE 9	1	
24	J24-2255V-00-00	PLATE, BATTERY COVER	1	
25	90267-32063-00	RIVET, BLIND	4	
26	J24-2255Y-00-00	PAD, BATTERY COVER	1	

CONTENTS

ACCELERATOR	C5
AIR FILTER	A8-9
AIR SHROUD FAN	A5
BODY	D2-3
BODY FITTING	D4-5
BRAKE	B12 ,C1-2
BUMPER	C12 ,D1
CARBURETOR	A10
CARRIER	D6-7
CDI MAGNETO	D12 ,E1
CRANKCASE	B1
CRANKSHAFT PISTON	A3-4
CYLINDER HEAD CYLINDER	A2
DRUM BRAKE	C3-4
ELECTRICAL 1	E2-3
EXHAUST	A11-12
FRAME	B3
FRONT SUSPENSION WHEEL	B4-6
FUEL TANK	B10-11
GOVERNOR	C6
OIL PUMP	A6
OIL TANK	B9
PRIMARY SHEAVE	C7
PUMP DRIVE GEAR	A7
REAR AXLE WHEEL	C11
REAR SHOCKS	B2
SEAT	D8
SECONDARY SHEAVE	C8
STARTER GENERATOR	D9-10
STARTER PULLEY	D11
STEERING	B7-8
TRANSMISSION	C9-10

FRONT SUSPENSION WHEEL



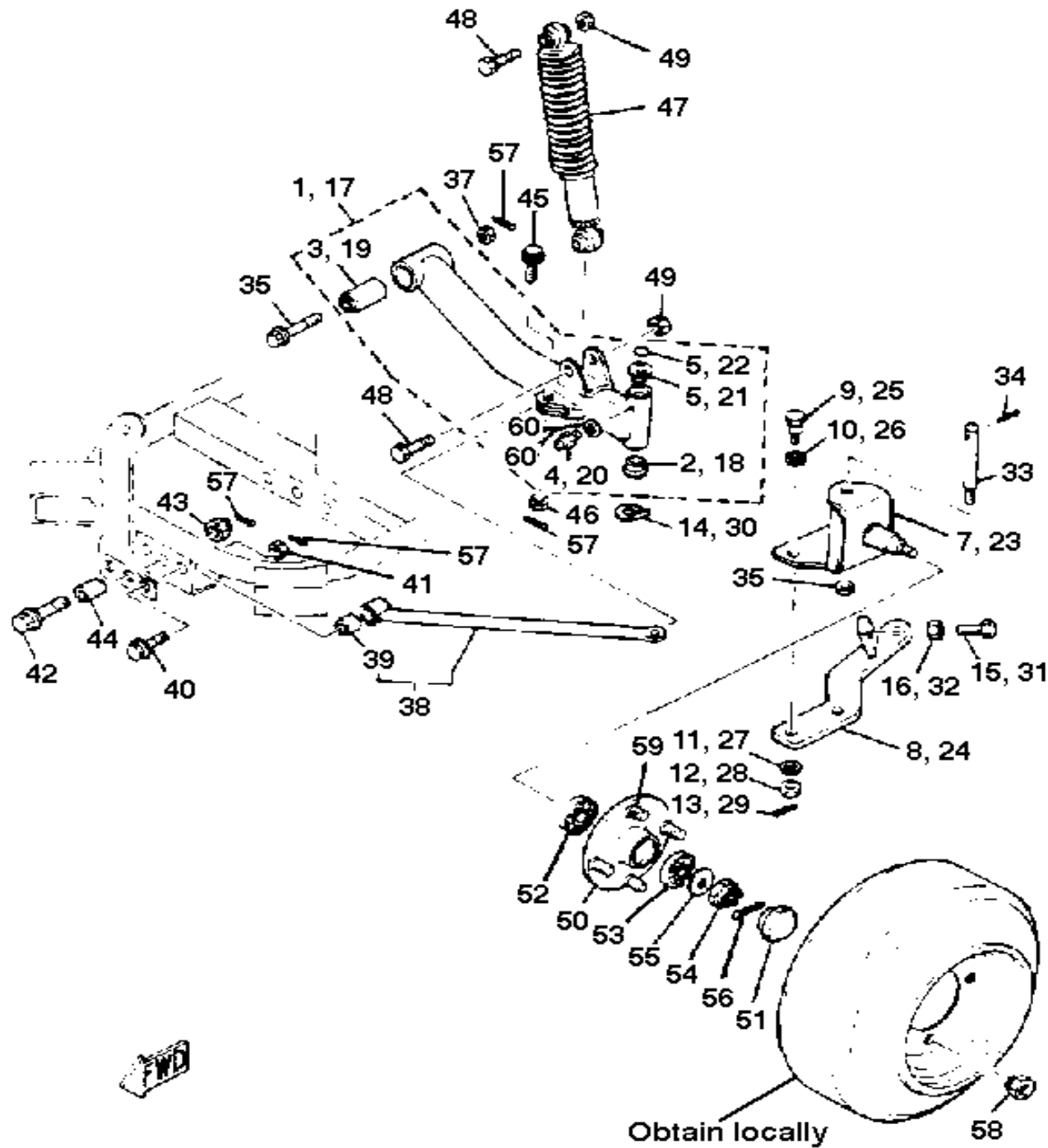
Ref. No.	Part Number	Description	Qty	Remarks
1	J42-W2351-00-00	FRONT LOWER ARM COMP. (L.H)	1	
2	90381-15032-00	. BUSH, SOLID	1	
3	J10-23526-00-00	. BUSH	1	
4	93700-06M03-00	. NIPPLE, GREASE	1	
5	90381-15040-00	. BUSH, SOLID	1	
6	93210-15566-00	. O-RING	1	
7	J17-23510-00-00	KNUCKLE, STEERING 1	1	
8	J11-23512-00-00	ARM, KNUCKLE 1	1	
9	90109-10643-00	BOLT	2	
10	90201-121F0-00	WASHER, PLATE	2	
11	90201-105F2-00	WASHER, PLATE	2	
12	90171-10035-00	NUT, CASTLE	2	
13	91490-25030-00	PIN, COTTER	2	
14	90214-16027-00	WASHER, CLAW	1	
15	97313-08030-00	BOLT, HEXAGON	1	
16	95303-08700-00	NUT	1	
17	J42-W2352-00-00	FRONT LOWER ARM COMP (R.H)	1	
18	90381-15032-00	. BUSH, SOLID	1	
19	J10-23526-00-00	. BUSH	1	
20	93700-06M03-00	. NIPPLE, GREASE	1	
21	90381-15040-00	. BUSH, SOLID	1	
22	93210-15566-00	. O-RING	1	
23	J17-23510-00-00	KNUCKLE, STEERING 1	1	
24	J11-23522-00-00	ARM, KNUCKLE 2	1	
25	90109-10643-00	BOLT	2	
26	90201-121F0-00	WASHER, PLATE	2	
27	90201-105F2-00	WASHER, PLATE	2	
28	90171-10035-00	NUT, CASTLE	2	
29	91490-25030-00	PIN, COTTER	2	

CONTENTS

ACCELERATOR	C5
AIR FILTER	A8-9
AIR SHROUD FAN	A5
BODY	D2-3
BODY FITTING	D4-5
BRAKE	B12 ,C1-2
BUMPER	C12 ,D1
CARBURETOR	A10
CARRIER	D6-7
CDI MAGNETO	D12 ,E1
CRANKCASE	B1
CRANKSHAFT PISTON	A3-4
CYLINDER HEAD CYLINDER	A2
DRUM BRAKE	C3-4
ELECTRICAL 1	E2-3
EXHAUST	A11-12
FRAME	B3
FRONT SUSPENSION WHEEL	B4-6
FUEL TANK	B10-11
GOVERNOR	C6
OIL PUMP	A6
OIL TANK	B9
PRIMARY SHEAVE	C7
PUMP DRIVE GEAR	A7
REAR AXLE WHEEL	C11
REAR SHOCKS	B2
SEAT	D8
SECONDARY SHEAVE	C8
STARTER GENERATOR	D9-10
STARTER PULLEY	D11
STEERING	B7-8
TRANSMISSION	C9-10

CONTINUED ON NEXT FRAME >

FRONT SUSPENSION WHEEL



Ref. No.	Part Number	Description	Qty	Remarks
30	90214-16027-00	WASHER, CLAW	1	
31	97313-08030-00	BOLT, HEXAGON	1	
32	95303-08700-00	NUT	1	
33	J10-23516-02-00	KING PIN, STEERING KNUCKLE	2	
34	91401-30030-00	PIN, COTTER (91401-30025-00)	2	
35	95712-12300-00	NUT, NYLON	2	
36	90105-10224-00	BOLT, WASHER BASED	2	
37	95601-10200-00	NUT, SELF-LOCKING	2	
38	J17-W2355-00-00	ROD, TENSION	2	
39	J10-23583-01-00	BUSH	1	
40	90105-08225-00	BOLT, WASHER BASED	2	
41	95601-08200-00	NUT, U	2	
42	90105-12226-00	BOLT, WASHER BASED	1	
43	95601-12200-00	NUT, SELF-LOCKING	1	
44	90387-137F6-00	COLLAR	1	
45	90102-12046-00	BOLT, WITH HOLE	2	
46	95601-12200-00	NUT, SELF-LOCKING	2	
47	J42-23350-00-00	SHOCK ABSORBER ASSEMBLY (J10-23350-00)	2	
48	97313-10050-00	BOLT, HEXAGON (676)	4	
49	95612-10100-00	NUT, U	4	
50	J17-W2511-00-00	HUB, FRONT	2	
51	J17-25118-00-00	COVER, HUB DUST	2	
52	93306-00511-00	BEARING	2	
53	93306-20437-00	BEARING	2	
54	95301-14900-00	NUT, SLOTTED	2	
55	90209-14219-00	WASHER, SPECIAL SHAPE	2	
56	91401-30030-00	PIN, COTTER (91401-30025-00)	2	
57	91490-25030-00	PIN, COTTER	7	
58	90179-12262-00	NUT	8	

CONTENTS

ACCELERATOR	C5
AIR FILTER	A8-9
AIR SHROUD FAN	A5
BODY	D2-3
BODY FITTING	D4-5
BRAKE	B12 ,C1-2
BUMPER	C12 ,D1
CARBURETOR	A10
CARRIER	D6-7
CDI MAGNETO	D12 ,E1
CRANKCASE	B1
CRANKSHAFT PISTON	A3-4
CYLINDER HEAD CYLINDER	A2
DRUM BRAKE	C3-4
ELECTRICAL 1	E2-3
EXHAUST	A11-12
FRAME	B3
FRONT SUSPENSION WHEEL	B4-6
FUEL TANK	B10-11
GOVERNOR	C6
OIL PUMP	A6
OIL TANK	B9
PRIMARY SHEAVE	C7
PUMP DRIVE GEAR	A7
REAR AXLE WHEEL	C11
REAR SHOCKS	B2
SEAT	D8
SECONDARY SHEAVE	C8
STARTER GENERATOR	D9-10
STARTER PULLEY	D11
STEERING	B7-8
TRANSMISSION	C9-10

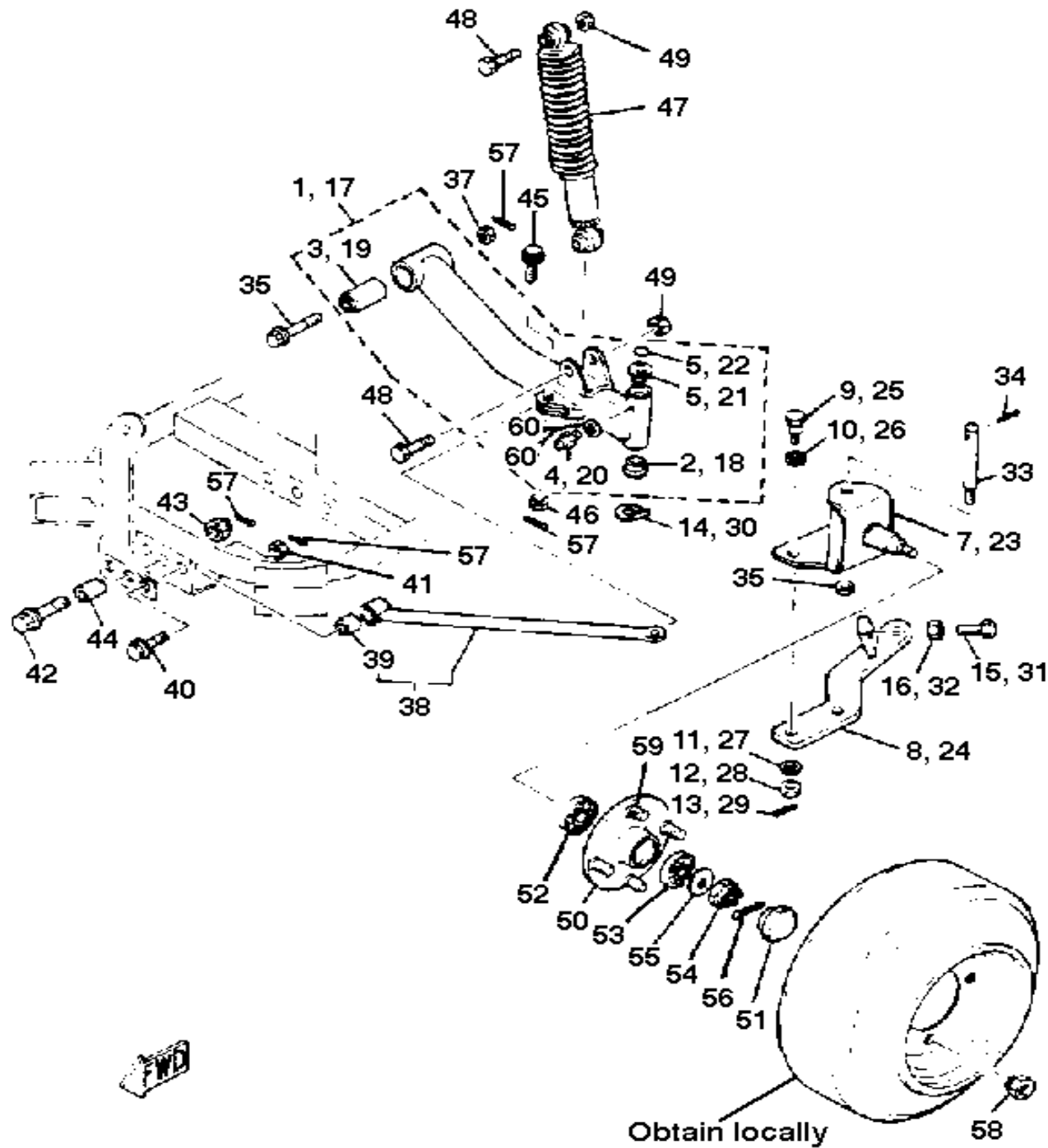
CONTINUED ON NEXT FRAME >

FRONT SUSPENSION WHEEL

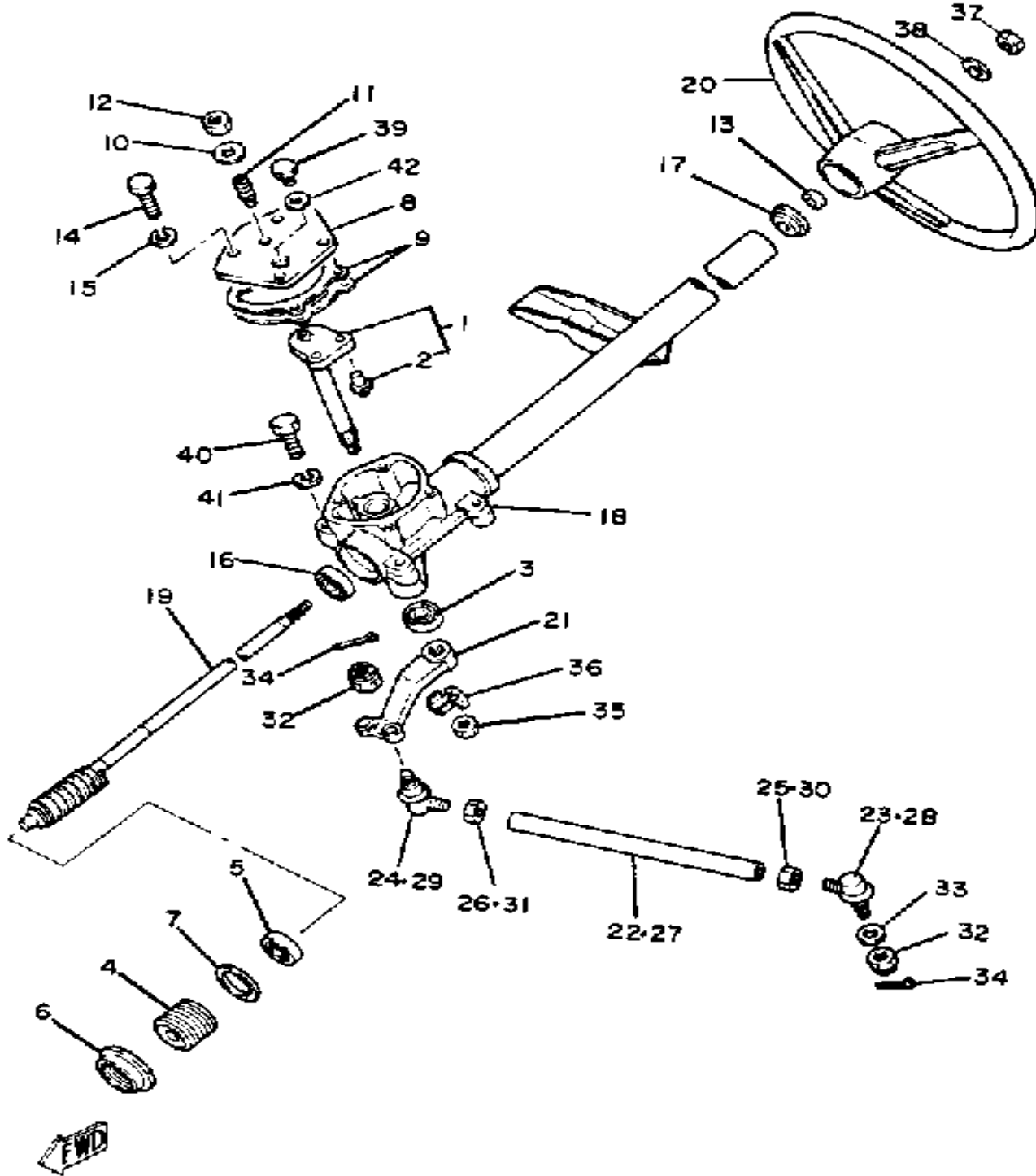
Ref. No.	Part Number	Description	Qty	Remarks
59	90114-12003-00	BOLT, RIBBED NECK	8	
60	90201-067F9-00	. WASHER, PLATE	2	

CONTENTS

ACCELERATOR	C5
AIR FILTER	A8-9
AIR SHROUD FAN	A5
BODY	D2-3
BODY FITTING	D4-5
BRAKE	B12 ,C1-2
BUMPER	C12 ,D1
CARBURETOR	A10
CARRIER	D6-7
CDI MAGNETO	D12 ,E1
CRANKCASE	B1
CRANKSHAFT PISTON	A3-4
CYLINDER HEAD CYLINDER	A2
DRUM BRAKE	C3-4
ELECTRICAL 1	E2-3
EXHAUST	A11-12
FRAME	B3
FRONT SUSPENSION WHEEL	B4-6
FUEL TANK	B10-11
GOVERNOR	C6
OIL PUMP	A6
OIL TANK	B9
PRIMARY SHEAVE	C7
PUMP DRIVE GEAR	A7
REAR AXLE WHEEL	C11
REAR SHOCKS	B2
SEAT	D8
SECONDARY SHEAVE	C8
STARTER GENERATOR	D9-10
STARTER PULLEY	D11
STEERING	B7-8
TRANSMISSION	C9-10



STEERING



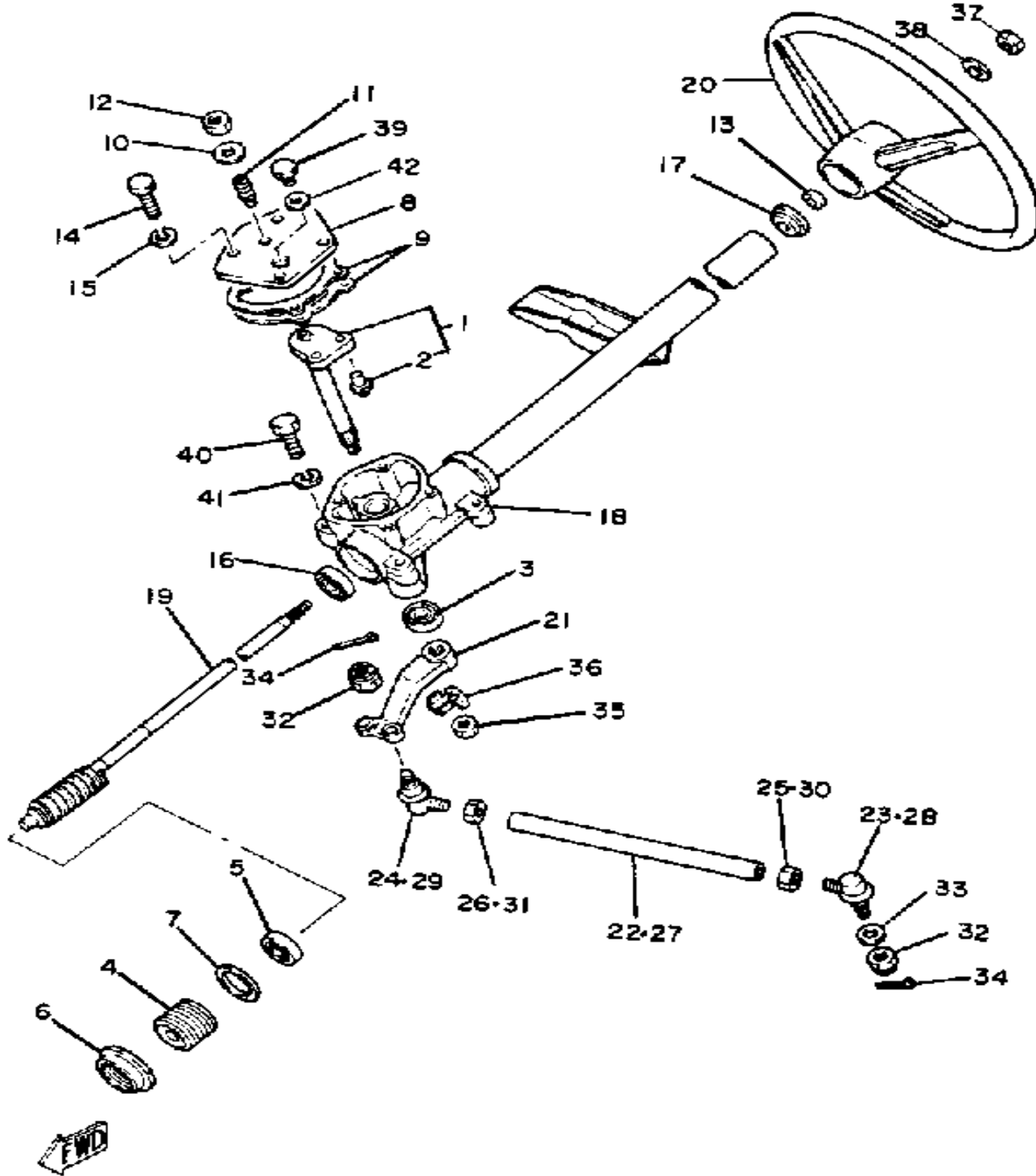
Ref. No.	Part Number	Description	Qty	Remarks
1	J10-23816-03-00	ARM, PITMAN (J10-23816-02-00)	1	
2	J10-23836-09-00	. PIN, PITMAN	2	
3	93102-22087-00	OIL SEAL	1	
4	J55-F3876-00-00	BOLT	1	
5	93332-00010-00	BEARING	1	
6	J10-23877-00-00	NUT	1	
7	J10-23444-00-00	WASHER	1	
8	J10-23818-00-00	COVER, STEERING	1	
9	J10-23462-00-00	SEAL, STEERING	2	
10	90201-08087-00	WASHER, PLATE	1	
11	J10-23459-00-00	BOLT	1	
12	90170-08024-00	NUT, HEX	1	
13	93104-15005-00	OIL SEAL, SO-TYPE	1	
14	97313-08020-00	BOLT, HEXAGON	4	
15	92990-08100-00	WASHER	4	
16	93332-00010-00	BEARING	1	
17	J10-23814-00-00	HOLDER, HANDLE UPR	1	
18	99999-01397-00	COLUMN STEERING COMP. (J10-23811-00-9E)	1	IVORY WHITE
19	J10-23840-00-00	STEERING SHAFT ASSEMBLY	1	
20	J55-F3838-00-00	WHEEL, STEERING (J10-23838-00-00)	1	
21	J17-23826-01-00	ARM, IDLER	1	
22	J10-23831-00-00	ROD, TIE	1	
23	J10-23841-10-00	JOINT, UNIVERSAL 1	1	
24	J10-23845-10-00	JOINT, UNIVERSAL 2	1	
25	90170-12054-00	NUT	1	
26	90170-12055-00	NUT	1	
27	J10-23831-00-00	ROD, TIE	1	
28	J10-23841-10-00	JOINT, UNIVERSAL 1	1	

CONTENTS

ACCELERATOR	C5
AIR FILTER	A8-9
AIR SHROUD FAN	A5
BODY	D2-3
BODY FITTING	D4-5
BRAKE	B12 ,C1-2
BUMPER	C12 ,D1
CARBURETOR	A10
CARRIER	D6-7
CDI MAGNETO	D12 ,E1
CRANKCASE	B1
CRANKSHAFT PISTON	A3-4
CYLINDER HEAD CYLINDER	A2
DRUM BRAKE	C3-4
ELECTRICAL 1	E2-3
EXHAUST	A11-12
FRAME	B3
FRONT SUSPENSION WHEEL	B4-6
FUEL TANK	B10-11
GOVERNOR	C6
OIL PUMP	A6
OIL TANK	B9
PRIMARY SHEAVE	C7
PUMP DRIVE GEAR	A7
REAR AXLE WHEEL	C11
REAR SHOCKS	B2
SEAT	D8
SECONDARY SHEAVE	C8
STARTER GENERATOR	D9-10
STARTER PULLEY	D11
STEERING	B7-8
TRANSMISSION	C9-10

CONTINUED ON NEXT FRAME ►

STEERING



Ref. No.	Part Number	Description	Qty	Remarks
29	J10-23845-10-00	JOINT, UNIVERSAL 2	1	
30	90170-12054-00	NUT	1	
31	90170-12055-00	NUT	1	
32	95301-12900-00	NUT, SLOTTED	4	
33	92990-12600-00	WASHER, PLATE (92902-12600-00)	2	
34	91401-30030-00	PIN, COTTER (91401-30025-00)	4	
35	95701-16300-00	NUT, FLANGE	1	
36	90215-16161-00	WASHER, LOCK	1	
37	90185-12119-00	NUT, SELF-LOCKING	1	
38	92990-12200-00	WASHER, PLAIN	1	
39	90340-14029-00	PLUG, STRAIGHT SCREW	1	
40	97313-10050-00	BOLT, HEXAGON (676)	4	
41	92990-10100-00	WASHER, SPRING	4	
42	90430-14175-00	GASKET	1	

CONTENTS

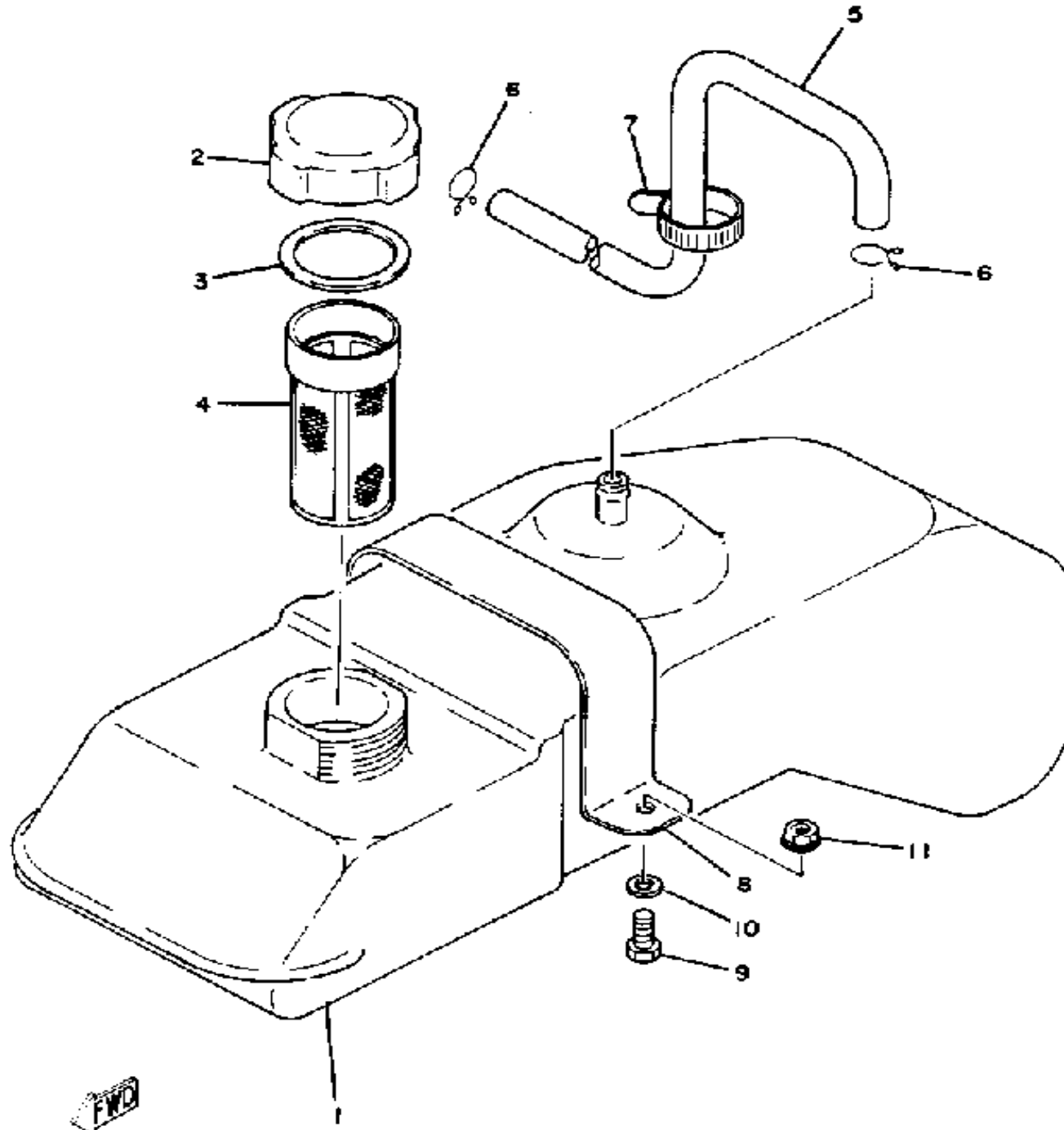
ACCELERATOR	C5
AIR FILTER	A8-9
AIR SHROUD FAN	A5
BODY	D2-3
BODY FITTING	D4-5
BRAKE	B12 ,C1-2
BUMPER	C12 ,D1
CARBURETOR	A10
CARRIER	D6-7
CDI MAGNETO	D12 ,E1
CRANKCASE	B1
CRANKSHAFT PISTON	A3-4
CYLINDER HEAD CYLINDER	A2
DRUM BRAKE	C3-4
ELECTRICAL 1	E2-3
EXHAUST	A11-12
FRAME	B3
FRONT SUSPENSION WHEEL	B4-6
FUEL TANK	B10-11
GOVERNOR	C6
OIL PUMP	A6
OIL TANK	B9
PRIMARY SHEAVE	C7
PUMP DRIVE GEAR	A7
REAR AXLE WHEEL	C11
REAR SHOCKS	B2
SEAT	D8
SECONDARY SHEAVE	C8
STARTER GENERATOR	D9-10
STARTER PULLEY	D11
STEERING	B7-8
TRANSMISSION	C9-10

OIL TANK

Ref. No.	Part Number	Description	Qty	Remarks
1	J17-21751-00-00	TANK, OIL	1	
2	863-21771-00-00	BODY, CAP	1	
3	90430-31003-00	GASKET	1	
4	J17-21756-00-00	NET, FILTER	1	
5	J10-21745-00-00	PIPE, OIL TANK BREATHER ..	1	
6	90467-11009-00	CLIP	2	
7	90464-12036-00	CLAMP	1	
8	J17-21776-00-00	BAND, TANK FITTING	1	
9	97313-06016-00	BOLT, HEXAGON	2	
10	90201-063J2-00	WASHER, PLATE	2	
11	95601-06200-00	NUT, U-FLANGE	2	

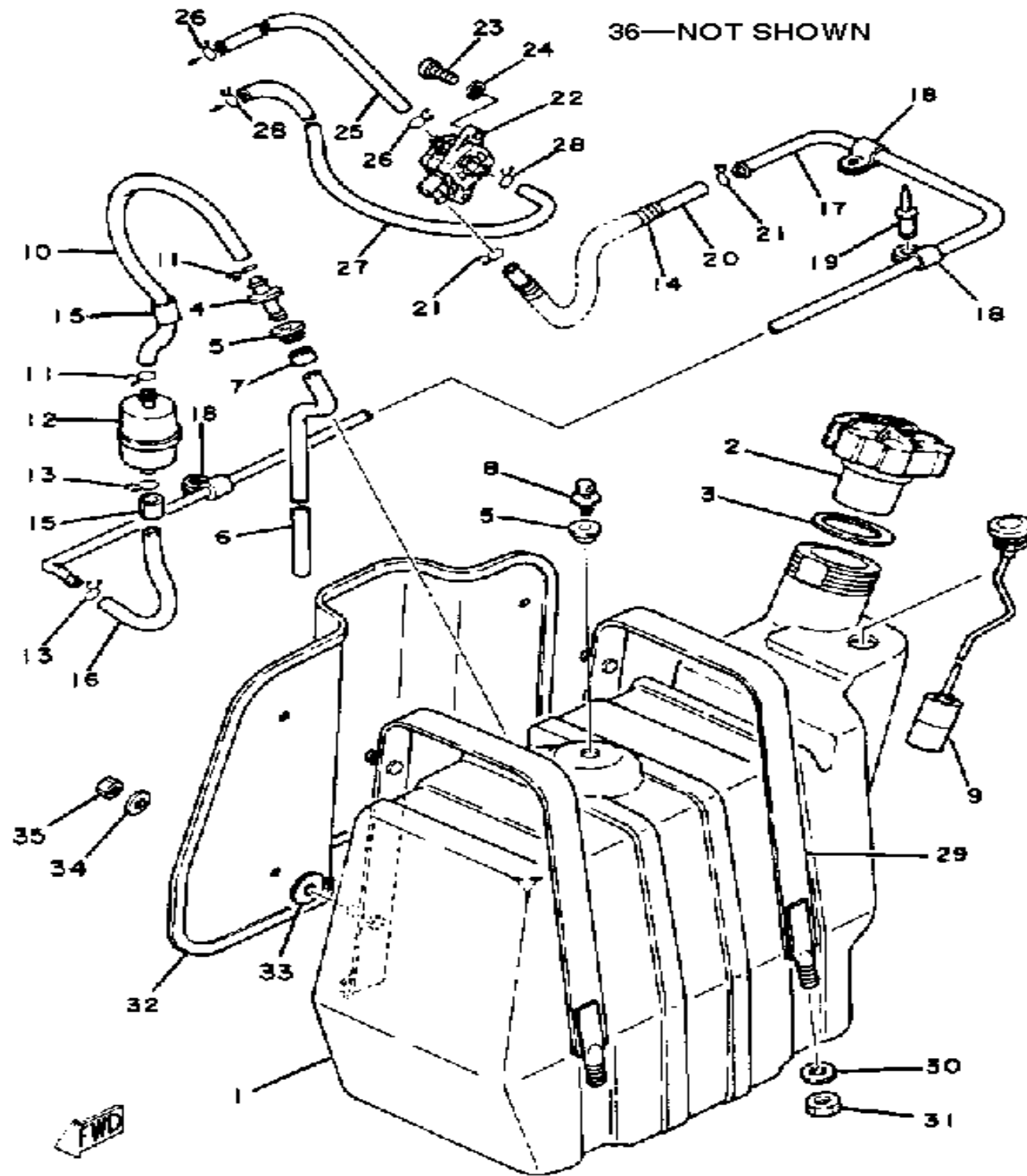
CONTENTS

ACCELERATOR	C5
AIR FILTER	A8-9
AIR SHROUD FAN	A5
BODY	D2-3
BODY FITTING	D4-5
BRAKE	B12 ,C1-2
BUMPER	C12 ,D1
CARBURETOR	A10
CARRIER	D6-7
CDI MAGNETO	D12 ,E1
CRANKCASE	B1
CRANKSHAFT PISTON	A3-4
CYLINDER HEAD CYLINDER	A2
DRUM BRAKE	C3-4
ELECTRICAL 1	E2-3
EXHAUST	A11-12
FRAME	B3
FRONT SUSPENSION WHEEL	B4-6
FUEL TANK	B10-11
GOVERNOR	C6
OIL PUMP	A6
OIL TANK	B9
PRIMARY SHEAVE	C7
PUMP DRIVE GEAR	A7
REAR AXLE WHEEL	C11
REAR SHOCKS	B2
SEAT	D8
SECONDARY SHEAVE	C8
STARTER GENERATOR	D9-10
STARTER PULLEY	D11
STEERING	B7-8
TRANSMISSION	C9-10



B9

FUEL TANK



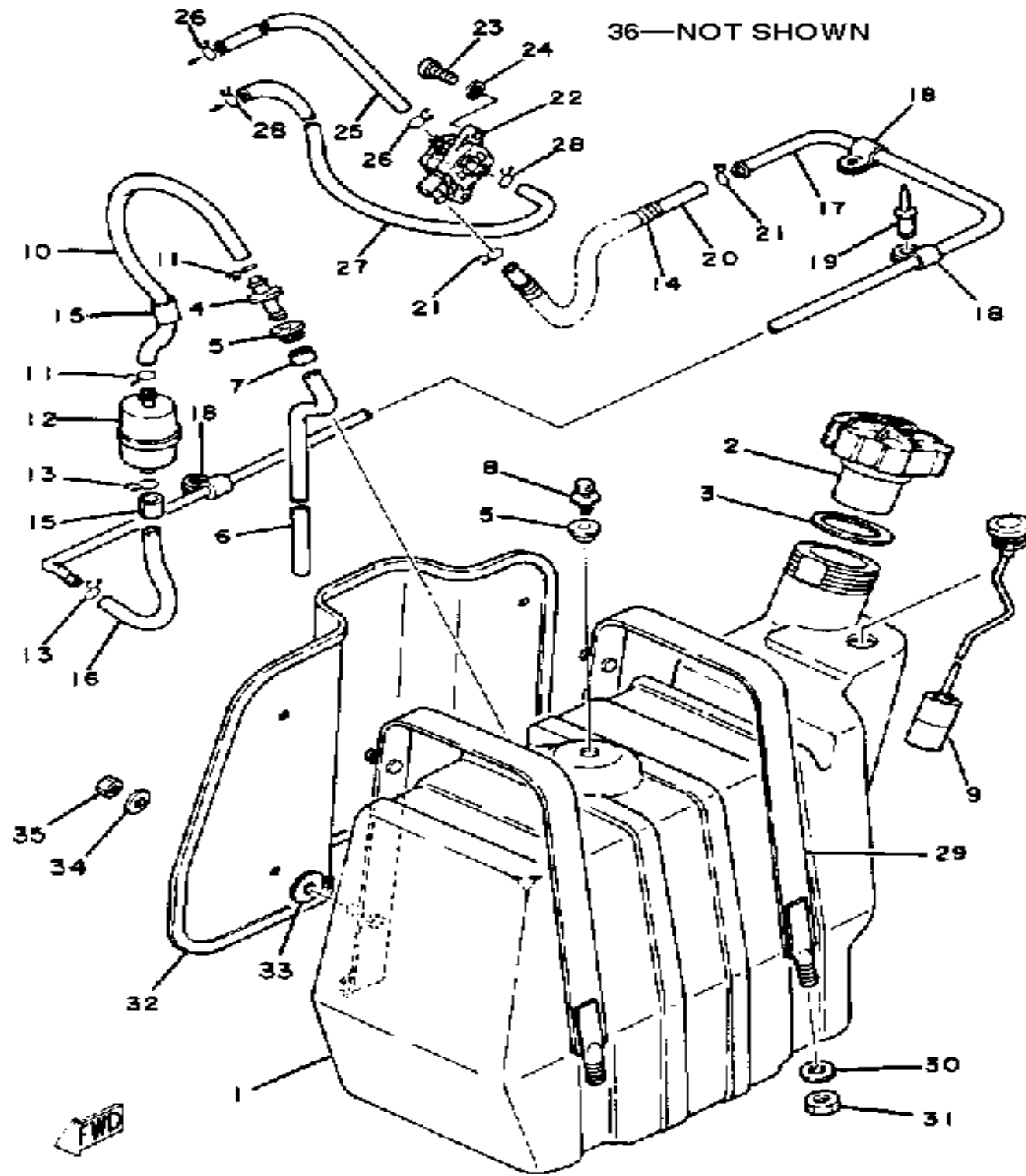
Ref. No.	Part Number	Description	Qty	Remarks
1	J17-24111-00-00	FUEL TANK	1	
2	J24-24620-01-00	BODY CAP ASSEMBLY	1	
3	J10-24612-00-00	GASKET, CAP	1	
4	J10-24461-00-00	PIPE, JOINT	1	
5	J10-21773-00-00	GROMMET	2	
6	J10-24311-00-00	PIPE, FUEL 1	1	
7	90468-04092-00	CLIP	1	
8	J24-24460-01-00	RELEASE VALVE ASSEMBLY	1	
9	J17-85710-01-00	FUEL LEVEL GAUGE ASSEMBLY (J17-85710-00-00)	1	
10	J10-24312-00-00	PIPE 2	1	
11	90467-11009-00	CLIP	2	
12	809-24560-01-00	FILTER ASSEMBLY	1	
13	90467-11009-00	CLIP	2	
14	90501-08486-00	SPRING, COMPRESSION	1	
15	J10-24366-00-00	CLAMP, FUEL PIPE 1	2	
16	90445-11288-00	HOSE	1	
17	J10-24313-00-00	PIPE 3	1	
18	90461-04011-00	CLAMP	3	
19	90267-40054-00	RIVET, BLIND	3	
20	90445-11491-00	HOSE	1	
21	90467-11009-00	CLIP	2	
22	J10-24410-02-00	FUEL PUMP ASSEMBLY	1	
23	98580-06018-00	SCREW, PAN HEAD (N15)	2	
24	92995-06100-00	WASHER, SPRING (92990-06100-00)	2	
25	90445-09069-00	HOSE	1	
26	90467-08017-00	CLIP	2	
27	90445-10449-00	HOSE	1	
28	90467-09006-00	CLIP	2	
29	J17-24173-00-00	BAND, TANK FITTING 1	2	

CONTENTS

ACCELERATOR	C5
AIR FILTER	A8-9
AIR SHROUD FAN	A5
BODY	D2-3
BODY FITTING	D4-5
BRAKE	B12, C1-2
BUMPER	C12, D1
CARBURETOR	A10
CARRIER	D6-7
CDI MAGNETO	D12, E1
CRANKCASE	B1
CRANKSHAFT PISTON	A3-4
CYLINDER HEAD CYLINDER	A2
DRUM BRAKE	C3-4
ELECTRICAL 1	E2-3
EXHAUST	A11-12
FRAME	B3
FRONT SUSPENSION WHEEL	B4-6
FUEL TANK	B10-11
GOVERNOR	C6
OIL PUMP	A6
OIL TANK	B9
PRIMARY SHEAVE	C7
PUMP DRIVE GEAR	A7
REAR AXLE WHEEL	C11
REAR SHOCKS	B2
SEAT	D8
SECONDARY SHEAVE	C8
STARTER GENERATOR	D9-10
STARTER PULLEY	D11
STEERING	B7-8
TRANSMISSION	C9-10

CONTINUED ON NEXT FRAME >

FUEL TANK

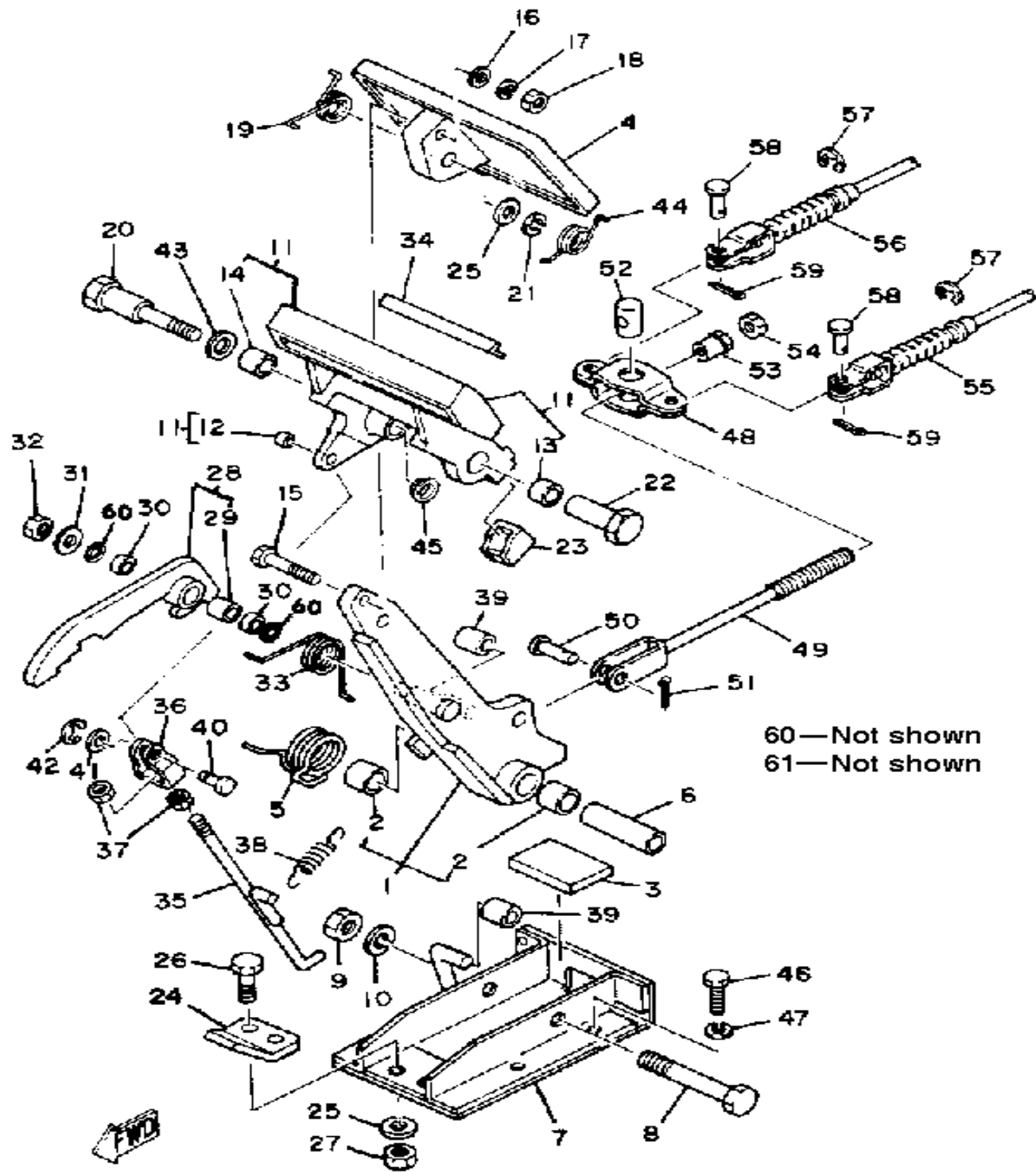


Ref. No.	Part Number	Description	Qty	Remarks
30	90201-08107-00	WASHER, PLATE	2	
31	95611-08100-00	NUT, U	2	
32	J17-24129-01-00	COVER, SIDE 1	1	
33	90202-08111-00	WASHER, PLATE	4	
34	90201-06067-00	WASHER, PLATE	4	
35	95601-06100-00	NUT, U	4	
36	7H3-W0017-00-00	FUEL PUMP DIAPHRAGM KIT	1	NOT SHOWN

CONTENTS

ACCELERATOR	C5
AIR FILTER	A8-9
AIR SHROUD FAN	A5
BODY	D2-3
BODY FITTING	D4-5
BRAKE	B12, C1-2
BUMPER	C12, D1
CARBURETOR	A10
CARRIER	D6-7
CDI MAGNETO	D12, E1
CRANKCASE	B1
CRANKSHAFT PISTON	A3-4
CYLINDER HEAD CYLINDER	A2
DRUM BRAKE	C3-4
ELECTRICAL 1	E2-3
EXHAUST	A11-12
FRAME	B3
FRONT SUSPENSION WHEEL	B4-6
FUEL TANK	B10-11
GOVERNOR	C6
OIL PUMP	A6
OIL TANK	B9
PRIMARY SHEAVE	C7
PUMP DRIVE GEAR	A7
REAR AXLE WHEEL	C11
REAR SHOCKS	B2
SEAT	D8
SECONDARY SHEAVE	C8
STARTER GENERATOR	D9-10
STARTER PULLEY	D11
STEERING	B7-8
TRANSMISSION	C9-10

BRAKE



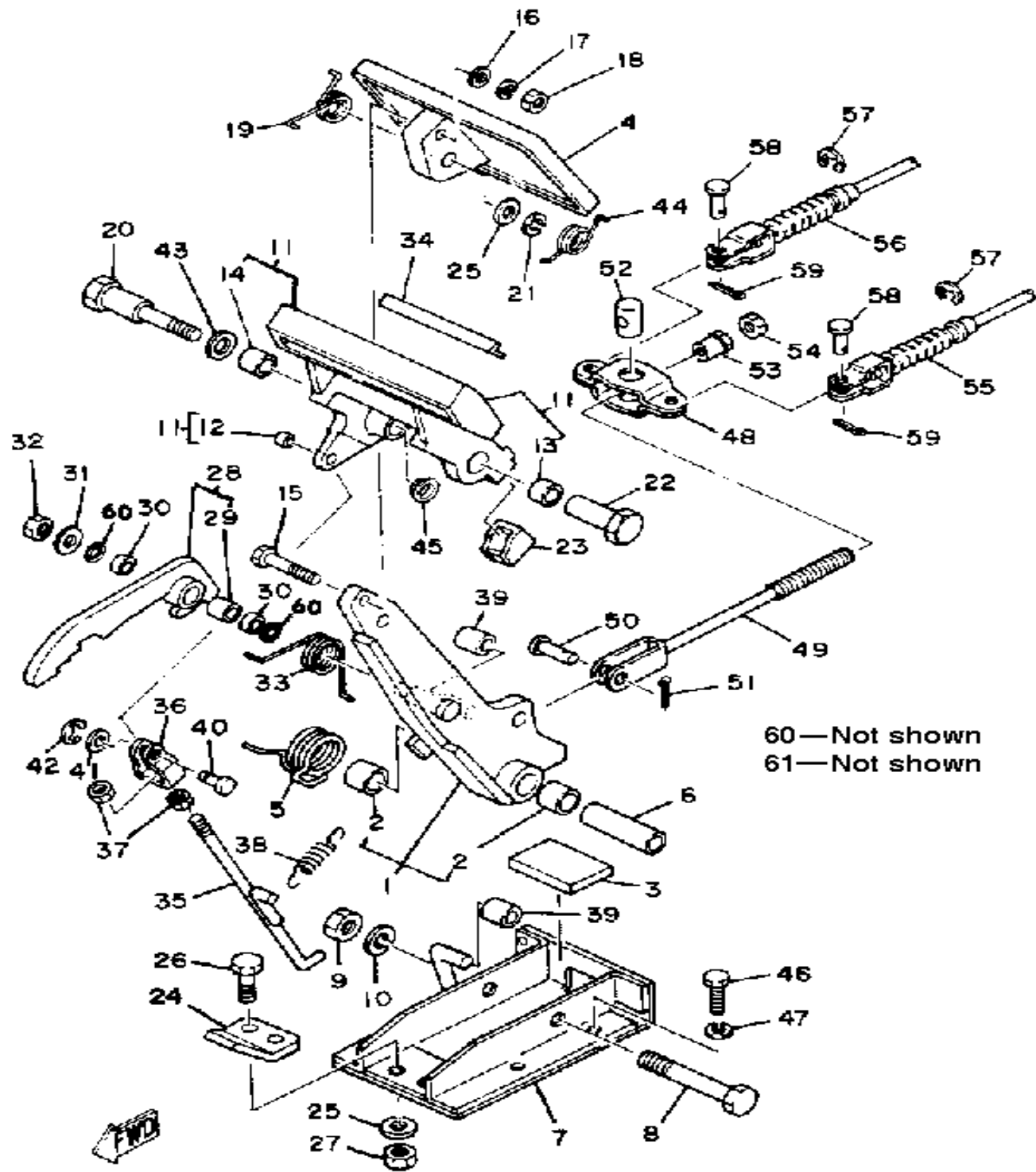
Ref. No.	Part Number	Description	Qty	Remarks
1	J17-27250-02-00	BRAKE ARM COMP.	1	ORDER REF NOS. 61 & 62 FOR BRAKE ARM KIT
2	90384-14080-00	. BUSH, BIMETAL FORMED ...	2	
3	J17-27245-00-00	PAD, BRAKE PEDAL	1	
4	J10-27211-00-00	PEDAL, BRAKE	1	
5	90508-40543-00	SPRING, TORSION	1	
6	90387-107F8-00	COLLAR	1	
7	J17-25654-00-00	BRACKET, PEDAL	1	
8	90101-10447-00	BOLT, HEX	1	
9	95601-10100-00	NUT, U (95602-10100-00)	1	
10	92990-10100-00	WASHER, SPRING	1	
11	99999-01799-00	PARKING PEDAL COMP. (J17-25670-00-00)	1	
12	90384-05163-00	. BUSH, BIMETAL	1	
13	90384-12164-00	. BUSH, BIMETAL	1	
14	90380-12051-00	. BUSH, SOLID	1	
15	90101-06555-00	BOLT, HEX	1	
16	92990-06200-00	WASHER	1	
17	92995-06100-00	WASHER, SPRING (92990-06100-00)	1	
18	95380-06600-00	NUT (95303-06600-00)	1	
19	90508-23542-00	SPRING, TORSION	1	
20	90109-08669-00	BOLT	1	
21	92990-08100-00	WASHER	1	
22	90179-08378-00	NUT	1	
23	J17-25679-01-00	DAMPER	1	
24	J17-27246-00-00	NAIL, BRAKE	1	
25	92990-08200-00	WASHER, PLAIN (92902-08100-00)	3	
26	97001-08025-00	BOLT (1NV)	2	

CONTENTS

ACCELERATOR	C5
AIR FILTER	A8-9
AIR SHROUD FAN	A5
BODY	D2-3
BODY FITTING	D4-5
BRAKE	B12, C1-2
BUMPER	C12, D1
CARBURETOR	A10
CARRIER	D6-7
CDI MAGNETO	D12, E1
CRANKCASE	B1
CRANKSHAFT PISTON	A3-4
CYLINDER HEAD CYLINDER	A2
DRUM BRAKE	C3-4
ELECTRICAL 1	E2-3
EXHAUST	A11-12
FRAME	B3
FRONT SUSPENSION WHEEL	B4-6
FUEL TANK	B10-11
GOVERNOR	C6
OIL PUMP	A6
OIL TANK	B9
PRIMARY SHEAVE	C7
PUMP DRIVE GEAR	A7
REAR AXLE WHEEL	C11
REAR SHOCKS	B2
SEAT	D8
SECONDARY SHEAVE	C8
STARTER GENERATOR	D9-10
STARTER PULLEY	D11
STEERING	B7-8
TRANSMISSION	C9-10

CONTINUED ON NEXT FRAME ►

BRAKE



Ref. No.	Part Number	Description	Qty	Remarks
27	95611-08100-00	NUT, U	2	
28	J17-W2561-00-00	SECTOR, PARKING BRAKE ..	1	
29	90384-10162-00	. BUSH, BIMETAL FORMED ...	1	
30	J17-27221-00-00	SEAL, SHAFT	2	
31	90201-065F3-00	WASHER, PLATE	1	
32	95601-06100-00	NUT, U	1	
33	90508-14548-00	SPRING, TORSION	1	
34	J17-25672-01-00	PAD, PARKING PEDAL	1	
35	J17-27231-02-00	ROD, BRAKE	1	
36	J17-27232-00-00	END, ROD 2	1	
37	95380-06700-00	NUT	2	
38	90506-12277-00	SPRING, TENSION	1	
39	J17-25673-00-00	DAMPER, BRAKE	2	
40	J17-27228-00-00	PIN, JOINT	1	
41	92901-05600-00	WASHER, PLATE	1	
42	99080-04600-00	CIRCLIP (E)	1	
43	90201-123F2-00	WASHER, PLAIN	1	
44	90508-26557-00	SPRING, TORSION	1	
45	90380-12105-00	BUSH, SOLID	1	
46	97011-06016-00	BOLT	4	
47	92995-06100-00	WASHER, SPRING (92990-06100-00)	4	
48	J10-25681-00-00	EQUALIZER, BRAKE	1	
49	J20-25685-00-00	ROD	1	
50	91701-10022-00	PIN, CLEVIS	1	
51	91490-30020-00	PIN, COTTER	1	
52	90249-14129-00	PIN	1	
53	90179-08261-00	NUT	1	
54	95303-08700-00	NUT	1	
55	J56-F6341-00-00	CABLE, BRAKE	1	

CONTENTS

ACCELERATOR	C5
AIR FILTER	A8-9
AIR SHROUD FAN	A5
BODY	D2-3
BODY FITTING	D4-5
BRAKE	B12 ,C1-2
BUMPER	C12 ,D1
CARBURETOR	A10
CARRIER	D6-7
CDI MAGNETO	D12 ,E1
CRANKCASE	B1
CRANKSHAFT PISTON	A3-4
CYLINDER HEAD CYLINDER	A2
DRUM BRAKE	C3-4
ELECTRICAL 1	E2-3
EXHAUST	A11-12
FRAME	B3
FRONT SUSPENSION WHEEL	B4-6
FUEL TANK	B10-11
GOVERNOR	C6
OIL PUMP	A6
OIL TANK	B9
PRIMARY SHEAVE	C7
PUMP DRIVE GEAR	A7
REAR AXLE WHEEL	C11
REAR SHOCKS	B2
SEAT	D8
SECONDARY SHEAVE	C8
STARTER GENERATOR	D9-10
STARTER PULLEY	D11
STEERING	B7-8
TRANSMISSION	C9-10

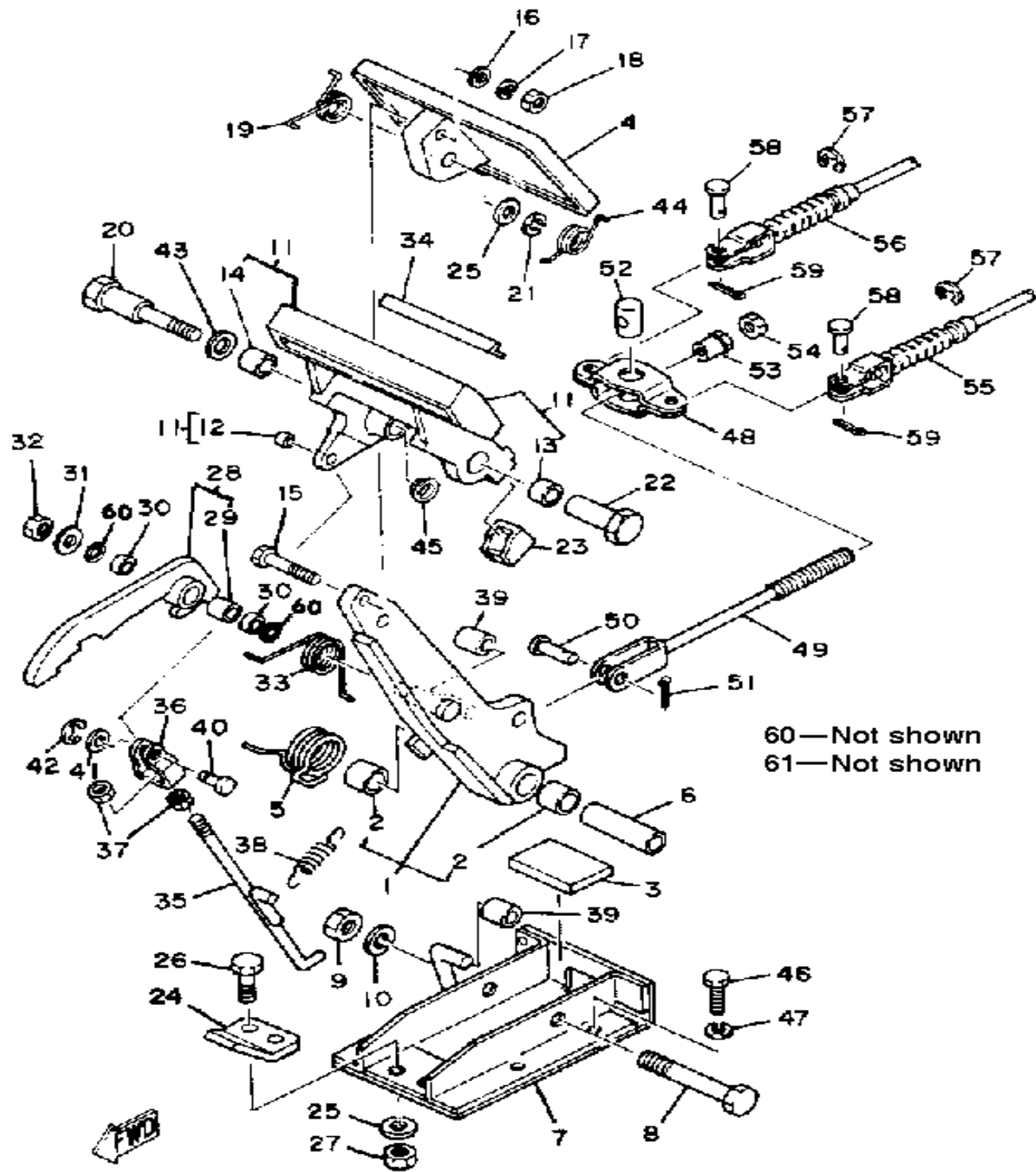
CONTINUED ON NEXT FRAME ►

BRAKE

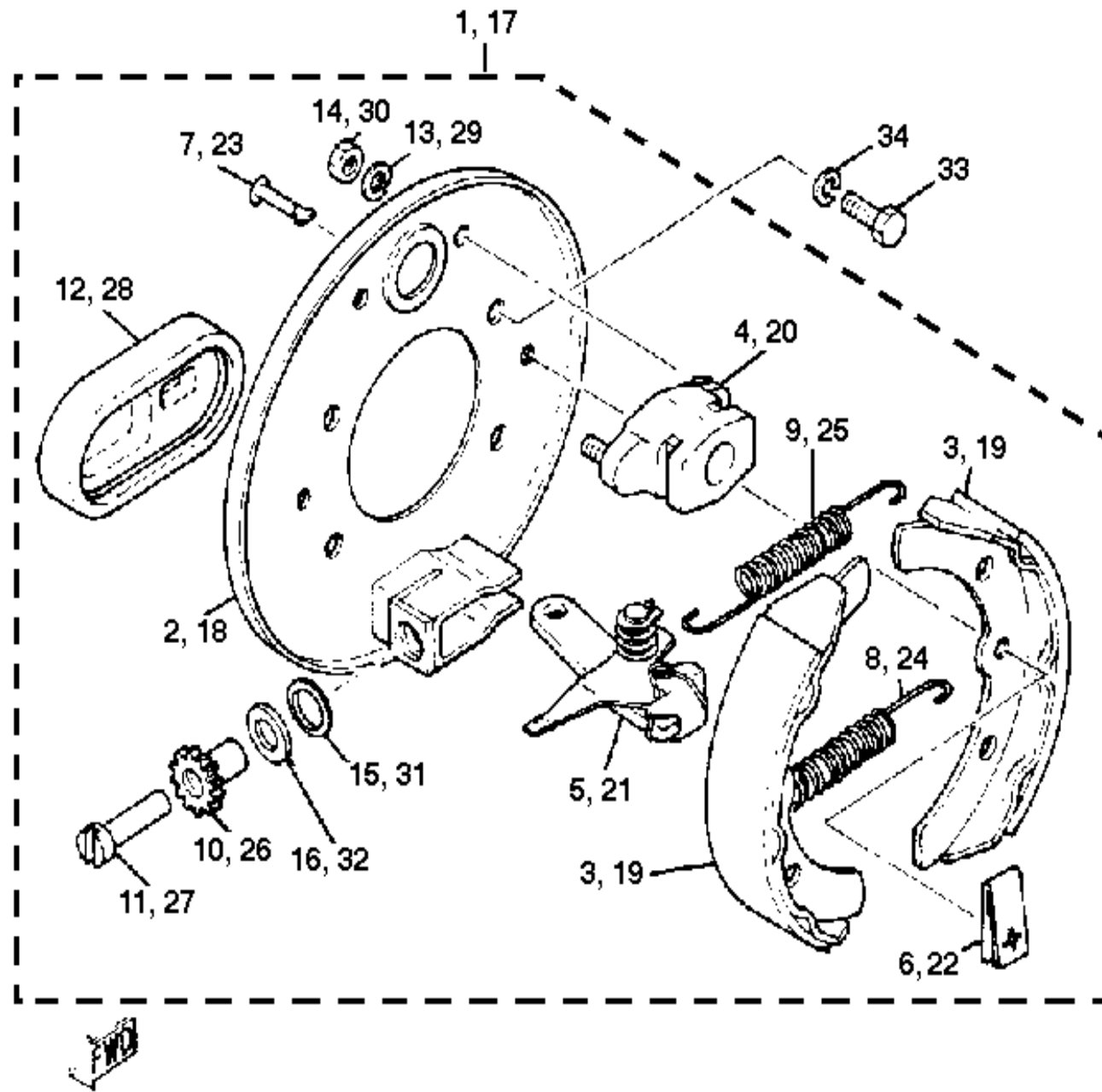
Ref. No.	Part Number	Description	Qty	Remarks
56	J56-F6351-00-00	CABLE, BRAKE	1	
57	99001-09600-00	CIRCLIP	4	
58	91701-08018-00	PIN, CLEVIS	4	
59	91490-25020-00	PIN, COTTER	4	
60	90201-104G8-00	WASHER, PLATE	2	
61	99080-07600-00	CIRCLIP (E)	1	NOT SHOWN
62	92990-10600-00	WASHER, PLATE	1	NOT SHOWN

CONTENTS

ACCELERATOR	C5
AIR FILTER	A8-9
AIR SHROUD FAN	A5
BODY	D2-3
BODY FITTING	D4-5
BRAKE	B12 ,C1-2
BUMPER	C12 ,D1
CARBURETOR	A10
CARRIER	D6-7
CDI MAGNETO	D12 ,E1
CRANKCASE	B1
CRANKSHAFT PISTON	A3-4
CYLINDER HEAD CYLINDER	A2
DRUM BRAKE	C3-4
ELECTRICAL 1	E2-3
EXHAUST	A11-12
FRAME	B3
FRONT SUSPENSION WHEEL	B4-6
FUEL TANK	B10-11
GOVERNOR	C6
OIL PUMP	A6
OIL TANK	B9
PRIMARY SHEAVE	C7
PUMP DRIVE GEAR	A7
REAR AXLE WHEEL	C11
REAR SHOCKS	B2
SEAT	D8
SECONDARY SHEAVE	C8
STARTER GENERATOR	D9-10
STARTER PULLEY	D11
STEERING	B7-8
TRANSMISSION	C9-10



DRUM BRAKE



Ref. No.	Part Number	Description	Qty	Remarks
1	J17-27280-01-00	BACKING PLATE ASSEMBLY 1	1	RH SIDE
2	J17-27208-00-00	. BACKING PLATE R.H	1	
3	J55-W2536-00-00	. BRAKE SHOE SET	1	
4	J17-27206-00-00	. ANCHOR BODY COMP.	1	
5	J17-27204-01-00	. LEVER ASSEMBLY 1	1	
6	J10-27281-00-00	. SPRING, SHOE CLAMP	2	
7	J10-27282-00-00	. PIN, SHOE HOLD DOWN	2	
8	90506-20281-00	. SPRING, TENSION	1	
9	90506-26191-00	. SPRING, TENSION	1	
10	J17-27238-00-00	. NUT, ADJUSTING	1	
11	90109-08657-00	. BOLT	1	
12	J10-27286-00-00	. COVER, DUST	1	
13	92995-06100-00	. WASHER, SPRING (92990-06100-00)	2	
14	95380-06600-00	. NUT (95303-06600-00)	2	
15	90201-121H8-00	. WASHER, PLATE	1	
16	90201-121H9-00	. WASHER, PLATE	1	
17	J17-27290-01-00	BACKING PLATE ASSEMBLY 2	1	LH SIDE
18	J17-27209-00-00	. BACKING PLATE SUB ASSEMBLY 2 (L.H)	1	
19	J55-W2536-00-00	. BRAKE SHOE SET	1	
20	J17-27206-00-00	. ANCHOR BODY COMP.	1	
21	J17-27205-01-00	. LEVER ASSEMBLY 2	1	
22	J10-27281-00-00	. SPRING, SHOE CLAMP	2	
23	J10-27282-00-00	. PIN, SHOE HOLD DOWN	2	
24	90506-20281-00	. SPRING, TENSION	1	
25	90506-26191-00	. SPRING, TENSION	1	
26	J17-27258-00-00	. NUT, ADJUSTING	1	
27	90109-08659-00	. BOLT	1	
28	J10-27286-00-00	. COVER, DUST	1	
29	92995-06100-00	. WASHER, SPRING (92990-06100-00)	2	

CONTENTS

ACCELERATOR	C5
AIR FILTER	A8-9
AIR SHROUD FAN	A5
BODY	D2-3
BODY FITTING	D4-5
BRAKE	B12 ,C1-2
BUMPER	C12 ,D1
CARBURETOR	A10
CARRIER	D6-7
CDI MAGNETO	D12 ,E1
CRANKCASE	B1
CRANKSHAFT PISTON	A3-4
CYLINDER HEAD CYLINDER	A2
DRUM BRAKE	C3-4
ELECTRICAL 1	E2-3
EXHAUST	A11-12
FRAME	B3
FRONT SUSPENSION WHEEL	B4-6
FUEL TANK	B10-11
GOVERNOR	C6
OIL PUMP	A6
OIL TANK	B9
PRIMARY SHEAVE	C7
PUMP DRIVE GEAR	A7
REAR AXLE WHEEL	C11
REAR SHOCKS	B2
SEAT	D8
SECONDARY SHEAVE	C8
STARTER GENERATOR	D9-10
STARTER PULLEY	D11
STEERING	B7-8
TRANSMISSION	C9-10

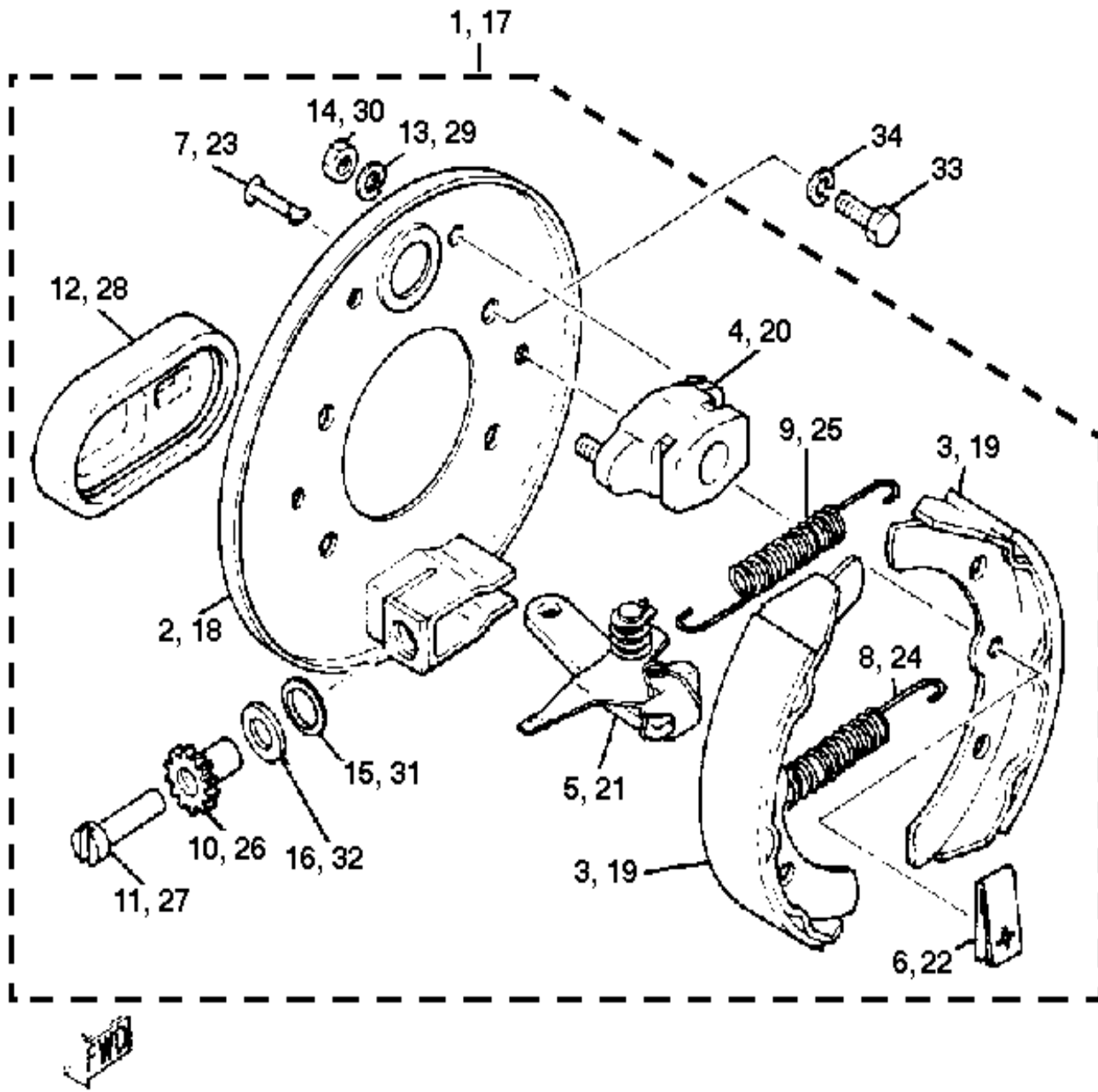
CONTINUED ON NEXT FRAME ➤

DRUM BRAKE

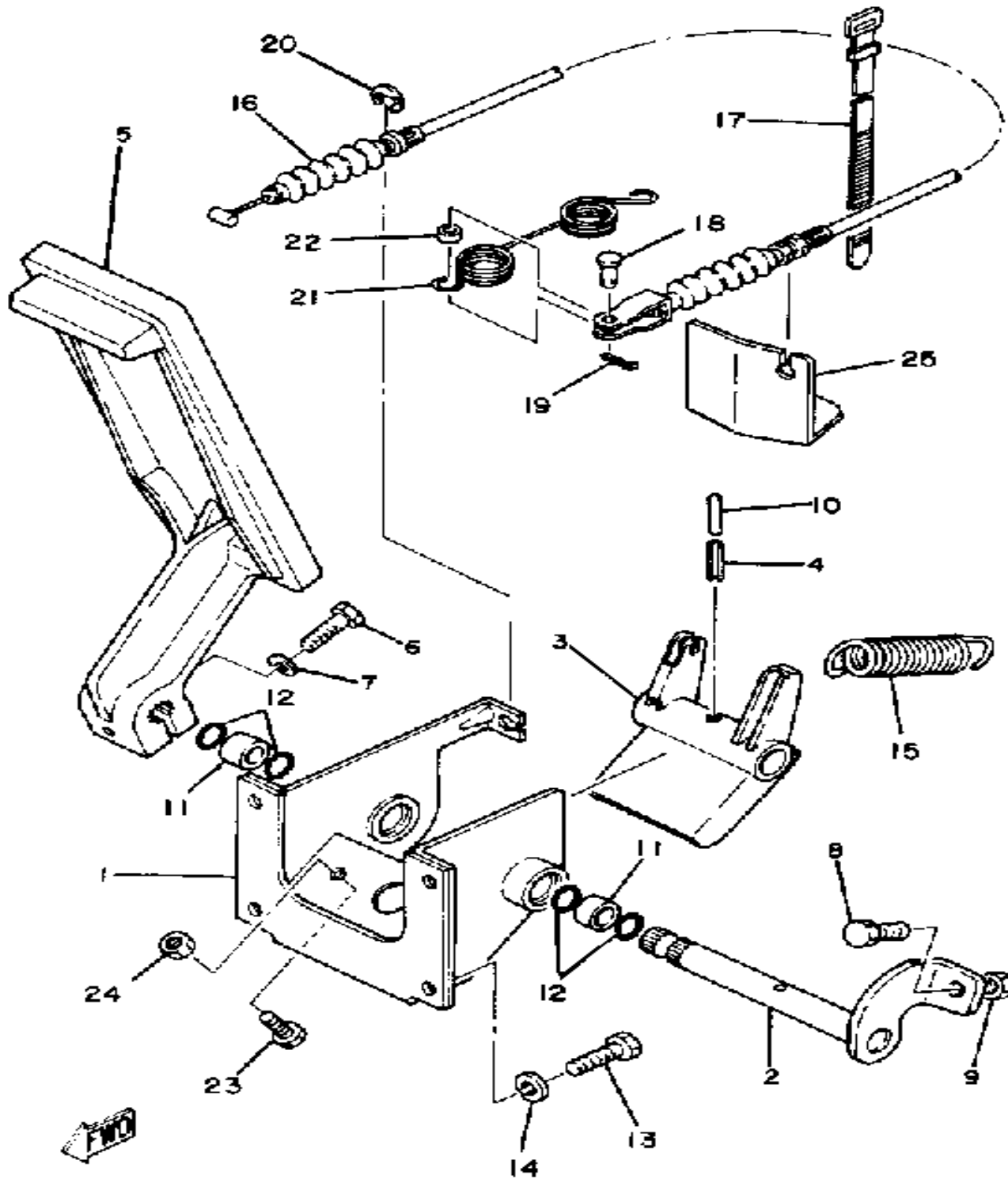
Ref. No.	Part Number	Description	Qty	Remarks
30	95380-06600-00	. NUT (95303-06600-00)	2	
31	90201-121H8-00	. WASHER, PLATE	1	
32	90201-121H9-00	. WASHER, PLATE	1	
33	97313-08016-00	BOLT, HEXAGON	8	
34	92990-08100-00	WASHER	8	

CONTENTS

ACCELERATOR	C5
AIR FILTER	A8-9
AIR SHROUD FAN	A5
BODY	D2-3
BODY FITTING	D4-5
BRAKE	B12 ,C1-2
BUMPER	C12 ,D1
CARBURETOR	A10
CARRIER	D6-7
CDI MAGNETO	D12 ,E1
CRANKCASE	B1
CRANKSHAFT PISTON	A3-4
CYLINDER HEAD CYLINDER	A2
DRUM BRAKE	C3-4
ELECTRICAL 1	E2-3
EXHAUST	A11-12
FRAME	B3
FRONT SUSPENSION WHEEL	B4-6
FUEL TANK	B10-11
GOVERNOR	C6
OIL PUMP	A6
OIL TANK	B9
PRIMARY SHEAVE	C7
PUMP DRIVE GEAR	A7
REAR AXLE WHEEL	C11
REAR SHOCKS	B2
SEAT	D8
SECONDARY SHEAVE	C8
STARTER GENERATOR	D9-10
STARTER PULLEY	D11
STEERING	B7-8
TRANSMISSION	C9-10



ACCELERATOR

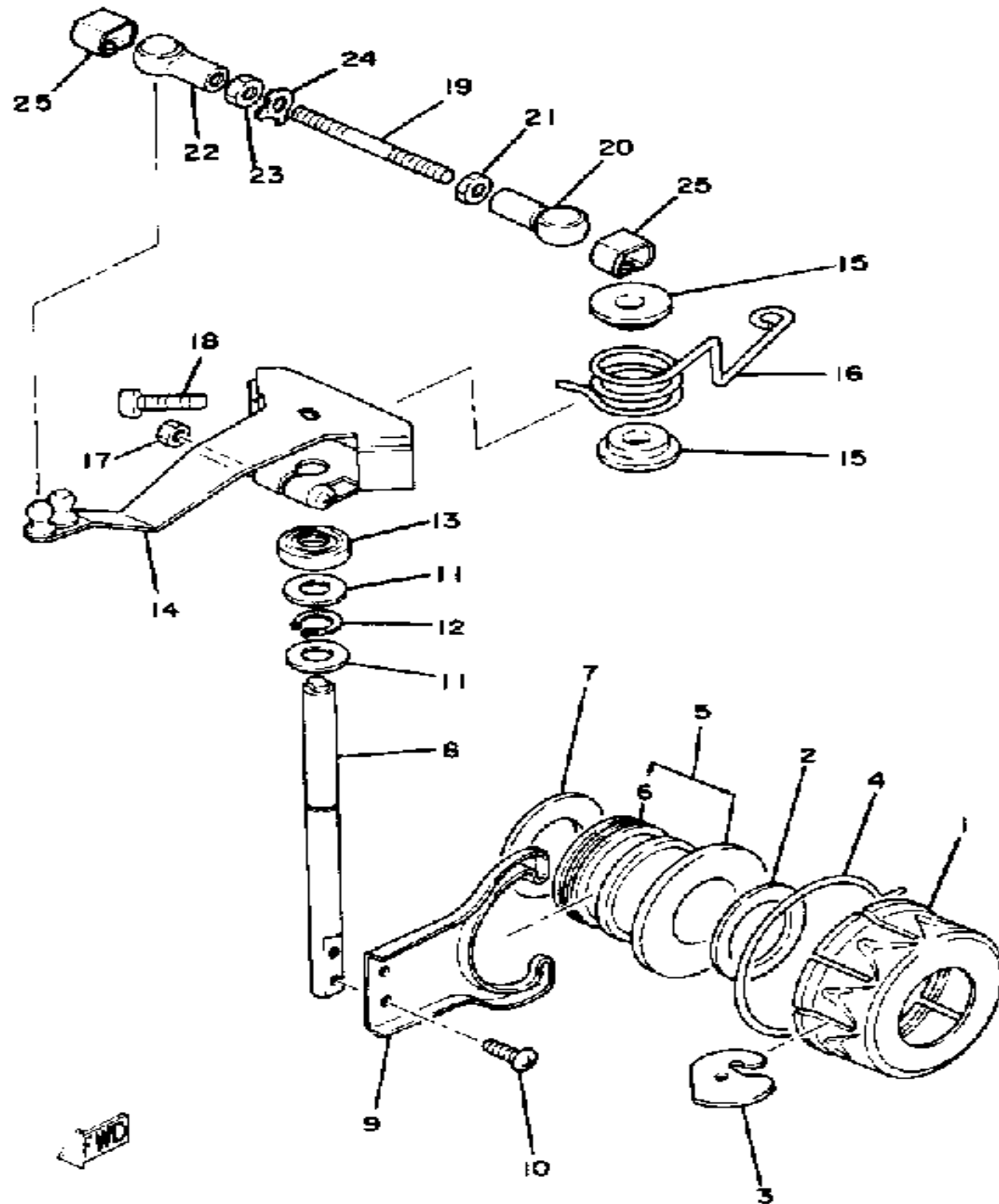


Ref. No.	Part Number	Description	Qty	Remarks
1	J17-27874-00-00	BRACKET, ACCELERATOR PEDAL	1	
2	J17-27853-00-00	SHAFT, PEDAL 1	1	
3	J17-27872-00-00	ARM, ACCELERATOR PEDAL .	1	
4	91609-60025-00	PIN, SPRING	1	
5	JF3-27871-00-00	PEDAL, ACCELERATOR	1	
6	97011-06025-00	BOLT (97001-06025-00)	1	
7	92995-06100-00	WASHER, SPRING (92990-06100-00)	1	
8	90106-08040-00	BOLT	1	
9	95303-08700-00	NUT	1	
10	91609-35028-00	PIN, SPRING	1	
11	90384-14080-00	BUSH, BIMETAL FORMED	2	
12	93210-14104-00	O-RING	4	
13	97301-06014-00	BOLT, HEXAGON	4	
14	92995-06100-00	WASHER, SPRING (92990-06100-00)	4	
15	90506-26282-00	SPRING, TENSION	1	
16	J17-26311-00-00	CABLE, THROTTLE 1	1	
17	25G-83936-01-00	BAND, SWITCH CORD	1	
18	91702-05012-00	PIN	1	
19	91490-16020-00	PIN, COTTER	1	
20	99080-07600-00	CIRCLIP (E)	1	
21	90508-16460-00	SPRING, TORSION	1	
22	90560-05001-00	SPACER	1	
23	97011-06025-00	BOLT (97001-06025-00)	1	
24	95380-06700-00	NUT	1	
25	J10-27981-00-00	BRACKET, THROTTLE	1	

CONTENTS

ACCELERATOR	C5
AIR FILTER	A8-9
AIR SHROUD FAN	A5
BODY	D2-3
BODY FITTING	D4-5
BRAKE	B12 ,C1-2
BUMPER	C12 ,D1
CARBURETOR	A10
CARRIER	D6-7
CDI MAGNETO	D12 ,E1
CRANKCASE	B1
CRANKSHAFT PISTON	A3-4
CYLINDER HEAD CYLINDER	A2
DRUM BRAKE	C3-4
ELECTRICAL 1	E2-3
EXHAUST	A11-12
FRAME	B3
FRONT SUSPENSION WHEEL	B4-6
FUEL TANK	B10-11
GOVERNOR	C6
OIL PUMP	A6
OIL TANK	B9
PRIMARY SHEAVE	C7
PUMP DRIVE GEAR	A7
REAR AXLE WHEEL	C11
REAR SHOCKS	B2
SEAT	D8
SECONDARY SHEAVE	C8
STARTER GENERATOR	D9-10
STARTER PULLEY	D11
STEERING	B7-8
TRANSMISSION	C9-10

GOVERNOR

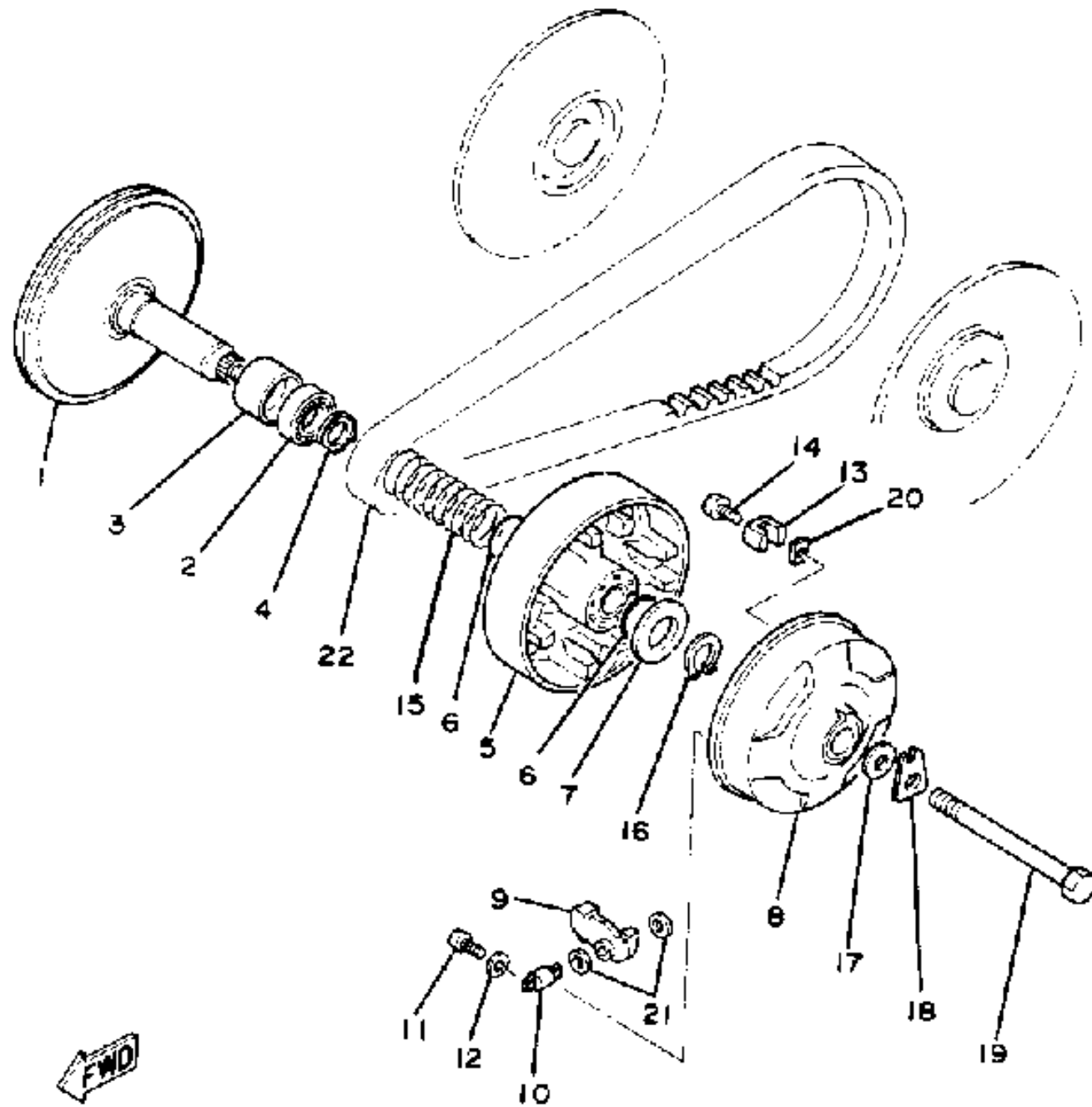


Ref. No.	Part Number	Description	Qty	Remarks
1	J10-27912-00-00	RETAINER	1	
2	90387-21690-00	COLLAR	1	
3	J10-27913-00-00	WEIGHT	1	
4	J10-27911-00-00	HOLDER	1	
5	J10-27927-00-00	LIFTER	1	
6	93342-22502-00	. BEARING, THRUST	1	
7	90201-20275-00	WASHER, PLATE	1	
8	J10-27921-01-00	SHAFT, GOVERNOR	1	
9	J10-27922-00-00	FORK, GOVERNOR	1	
10	98580-04008-00	SCREW, PAN HEAD (98501-04008-00)	2	
11	90202-08110-00	WASHER, PLATE	2	
12	99009-06600-00	CIRCLIP	1	
13	93109-08050-00	OIL SEAL	1	
14	J10-27951-01-00	LEVER, SPEED LIMITER	1	
15	90385-08034-00	BUSH, SPECIAL RUBBER	2	
16	90508-40398-00	SPRING, TORSION	1	
17	95380-06600-00	NUT (95303-06600-00)	1	
18	J10-27959-00-00	SCREW, ADJUSTING	1	
19	J10-14836-00-00	ROD	1	
20	J10-14833-00-00	JOINT O 1	1	
21	95311-05700-00	NUT	1	
22	J10-14864-00-00	JOINT O 1	1	
23	90170-05190-00	NUT, HEXAGON	1	
24	J24-14842-00-00	PLATE, CON ROD	1	
25	90468-05112-00	CLIP	2	

CONTENTS

ACCELERATOR	C5
AIR FILTER	A8-9
AIR SHROUD FAN	A5
BODY	D2-3
BODY FITTING	D4-5
BRAKE	B12 ,C1-2
BUMPER	C12 ,D1
CARBURETOR	A10
CARRIER	D6-7
CDI MAGNETO	D12 ,E1
CRANKCASE	B1
CRANKSHAFT PISTON	A3-4
CYLINDER HEAD CYLINDER	A2
DRUM BRAKE	C3-4
ELECTRICAL 1	E2-3
EXHAUST	A11-12
FRAME	B3
FRONT SUSPENSION WHEEL	B4-6
FUEL TANK	B10-11
GOVERNOR	C6
OIL PUMP	A6
OIL TANK	B9
PRIMARY SHEAVE	C7
PUMP DRIVE GEAR	A7
REAR AXLE WHEEL	C11
REAR SHOCKS	B2
SEAT	D8
SECONDARY SHEAVE	C8
STARTER GENERATOR	D9-10
STARTER PULLEY	D11
STEERING	B7-8
TRANSMISSION	C9-10

PRIMARY SHEAVE



Ref. No.	Part Number	Description	Qty	Remarks
1	J10-46210-00-00	PRI FIXED SHEAVE COMP	1	
2	93306-90601-00	BEARING	1	
3	90387-47686-00	COLLAR	1	
4	J10-46244-00-00	SEAT, SPRING	1	
5	J10-46220-01-00	PRIMARY SLIDING SHEAVE COMP	1	
6	93210-27458-00	O-RING	2	
7	J10-46223-01-00	CAM	1	
8	J17-46230-00-00	PRIMARY SHEAVE CAP COMP	1	
9	J10-46232-00-00	WEIGHT 1	4	
10	J10-46236-00-00	PIN, WEIGHT	4	
11	98580-05020-00	SCREW, PAN HEAD	8	
12	92990-05100-00	WASHER, SPRING	8	
13	J10-46253-01-00	SLIDER	4	
14	90149-05129-00	SCREW, SPECIAL SHAPE	4	
15	90501-32557-00	SPRING, COMPRESSION	1	
16	99009-28400-00	CIRCLIP	1	
17	90560-12180-00	SPACER	1	
18	90215-13146-00	WASHER, LOCK	1	
19	J10-46249-00-00	BOLT	1	
20	J17-46254-00-00	DAMPER SPACER	4	
21	90202-10129-00	WASHER, PLATE	8	
22	J17-46241-00-00	BELT	1	

CONTENTS

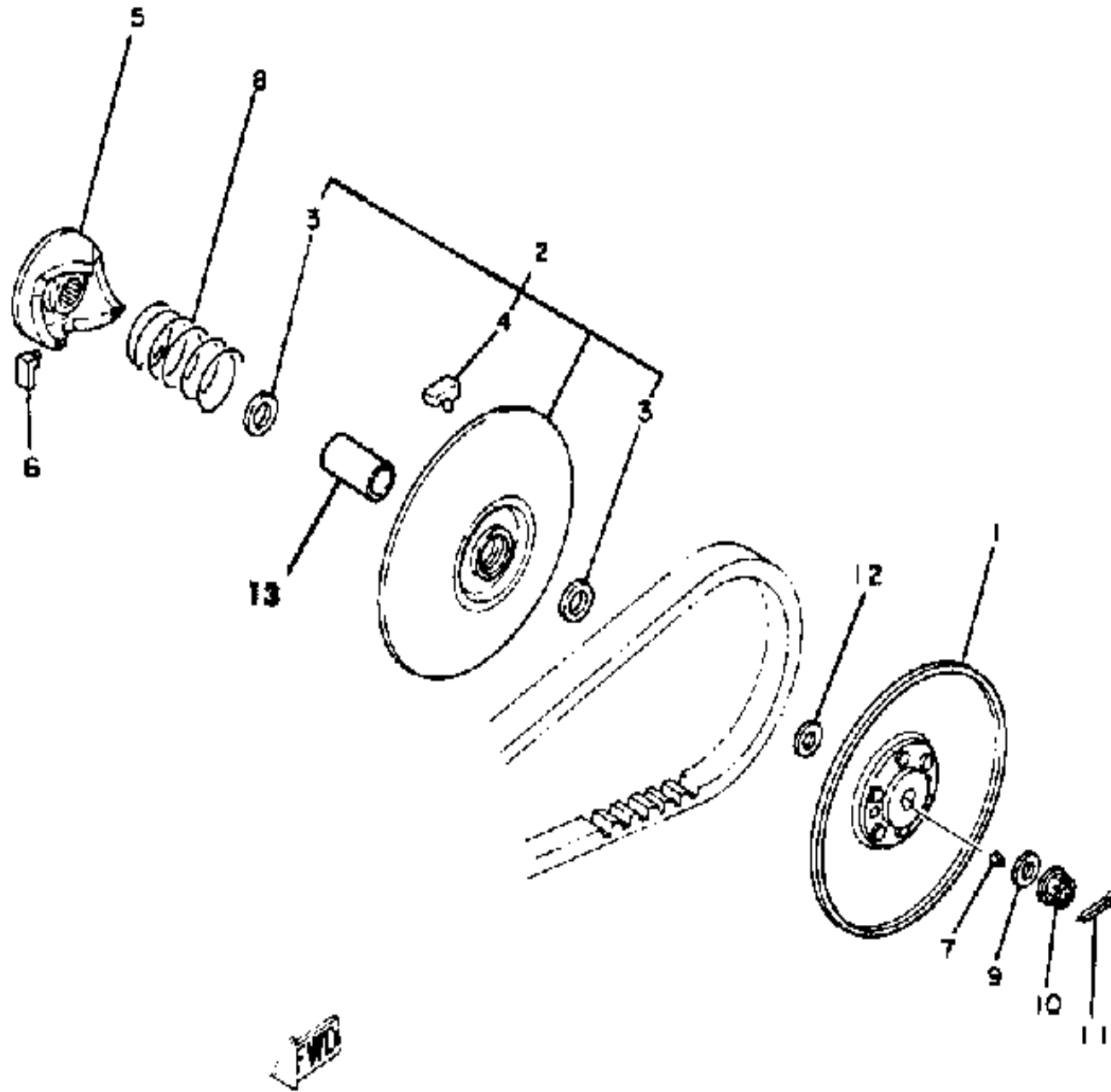
ACCELERATOR	C5
AIR FILTER	A8-9
AIR SHROUD FAN	A5
BODY	D2-3
BODY FITTING	D4-5
BRAKE	B12 ,C1-2
BUMPER	C12 ,D1
CARBURETOR	A10
CARRIER	D6-7
CDI MAGNETO	D12 ,E1
CRANKCASE	B1
CRANKSHAFT PISTON	A3-4
CYLINDER HEAD CYLINDER	A2
DRUM BRAKE	C3-4
ELECTRICAL 1	E2-3
EXHAUST	A11-12
FRAME	B3
FRONT SUSPENSION WHEEL	B4-6
FUEL TANK	B10-11
GOVERNOR	C6
OIL PUMP	A6
OIL TANK	B9
PRIMARY SHEAVE	C7
PUMP DRIVE GEAR	A7
REAR AXLE WHEEL	C11
REAR SHOCKS	B2
SEAT	D8
SECONDARY SHEAVE	C8
STARTER GENERATOR	D9-10
STARTER PULLEY	D11
STEERING	B7-8
TRANSMISSION	C9-10

SECONDARY SHEAVE

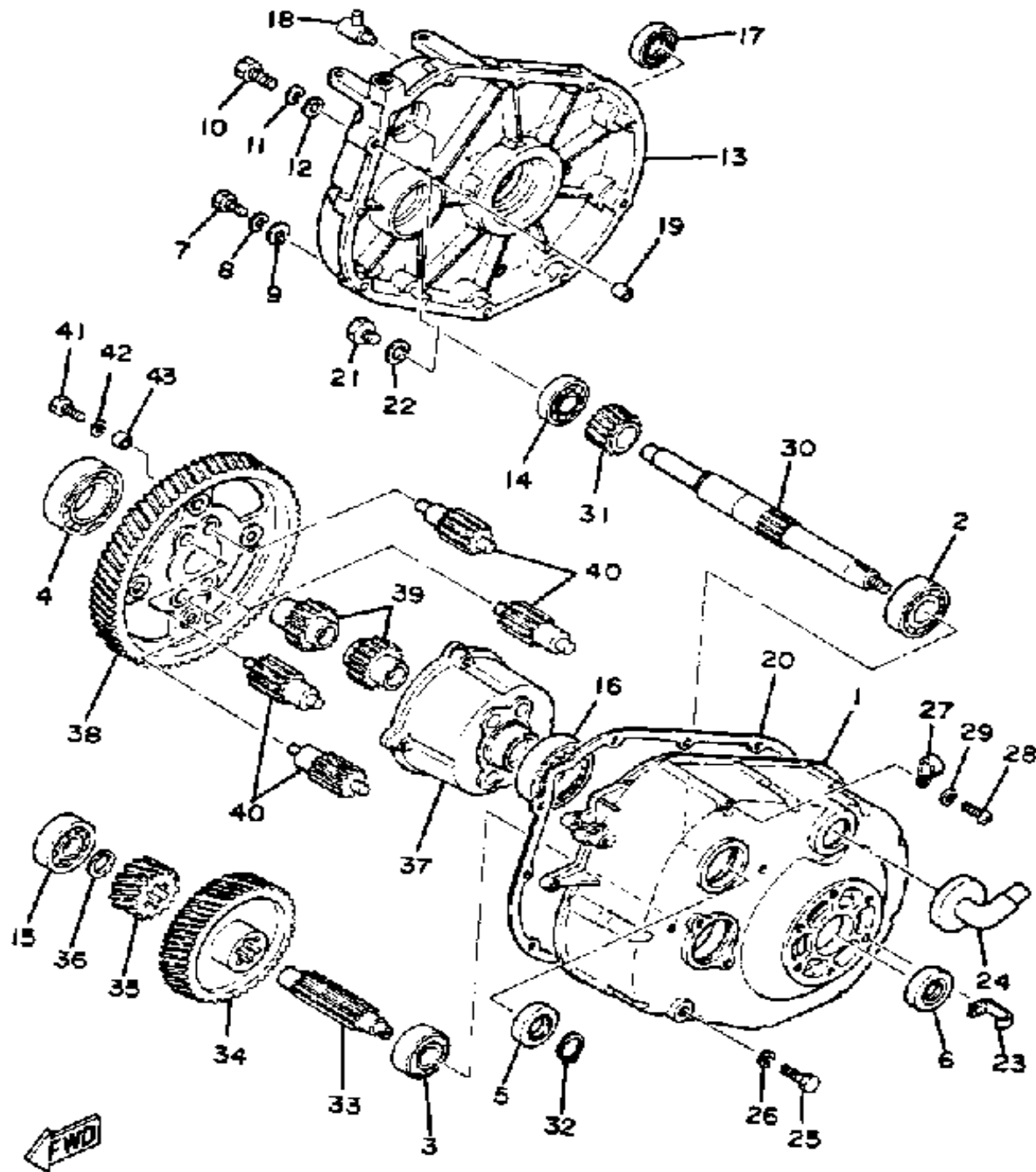
Ref. No.	Part Number	Description	Qty	Remarks
1	J55-G6260-00-00	SECONDARY FIXED SHEAVE COMP.	1	
2	J17-46270-02-00	SECONDARY SLIDING SHEAVE COMP. (J17-46270-00-00)	1	
3	93102-20309-00	. OIL SEAL	2	
4	801-17688-10-00	. SHOE, RAMP	3	
5	J55-G6280-00-00	SEC SPRING SEAT CMP (J38-46280-00-00)	1	
6	801-17688-10-00	SHOE, RAMP	3	
7	90280-05022-00	KEY, WOODRUFF	1	
8	90501-45600-00	SPRING, COMPRESSION	1	
9	90201-12588-00	WASHER, PLATE	1	
10	90171-12023-00	NUT, CASTLE	1	
11	91401-30030-00	PIN, COTTER (91401-30025-00)	1	
12	90202-20130-00	WASHER, PLATE	1	
13	90384-20143-00	BUSH, BIMETAL FORMED	1	

CONTENTS

ACCELERATOR	C5
AIR FILTER	A8-9
AIR SHROUD FAN	A5
BODY	D2-3
BODY FITTING	D4-5
BRAKE	B12 ,C1-2
BUMPER	C12 ,D1
CARBURETOR	A10
CARRIER	D6-7
CDI MAGNETO	D12 ,E1
CRANKCASE	B1
CRANKSHAFT PISTON	A3-4
CYLINDER HEAD CYLINDER	A2
DRUM BRAKE	C3-4
ELECTRICAL 1	E2-3
EXHAUST	A11-12
FRAME	B3
FRONT SUSPENSION WHEEL	B4-6
FUEL TANK	B10-11
GOVERNOR	C6
OIL PUMP	A6
OIL TANK	B9
PRIMARY SHEAVE	C7
PUMP DRIVE GEAR	A7
REAR AXLE WHEEL	C11
REAR SHOCKS	B2
SEAT	D8
SECONDARY SHEAVE	C8
STARTER GENERATOR	D9-10
STARTER PULLEY	D11
STEERING	B7-8
TRANSMISSION	C9-10



TRANSMISSION



Ref. No.	Part Number	Description	Qty	Remarks
1	J11-46311-00-00	CASE, TRANS 1	1	
2	93306-20529-00	BEARING (B6205C4)	1	
3	93306-20421-00	BEARING	1	
4	93306-00803-00	BEARING (B6008)	1	
5	93102-25017-00	OIL SEAL	1	
6	93102-22189-00	OIL SEAL	1	
7	97313-08035-00	BOLT, HEXAGON	9	
8	92990-08100-00	WASHER	9	
9	92901-08600-00	WASHER	9	
10	97313-08045-00	BOLT	2	
11	92990-08100-00	WASHER	2	
12	92901-08600-00	WASHER	2	
13	J10-46312-00-00	CASE, TRANS 2	1	
14	93306-20324-00	BEARING	1	
15	93306-20421-00	BEARING	1	
16	93306-00803-00	BEARING (B6008)	1	
17	93102-22189-00	OIL SEAL	1	
18	8E4-24461-00-00	PIPE, JOINT	1	
19	99510-12016-00	PIN, DOWEL	2	
20	J10-46319-01-00	GASKET	1	
21	90340-14036-00	PLUG, STRAIGHT SCREW	2	
22	90430-14043-00	GASKET	2	
23	90465-06100-00	CLAMP	1	
24	835-47559-00-00	CAP 2	1	
25	97011-10020-00	BOLT	2	
26	92990-10100-00	WASHER, SPRING	2	
27	90465-08028-00	CLAMP	1	
28	98580-06010-00	SCREW, PAN HEAD (92503-06010-00)	1	
29	92995-06100-00	WASHER, SPRING (92990-06100-00)	1	

CONTENTS

ACCELERATOR	C5
AIR FILTER	A8-9
AIR SHROUD FAN	A5
BODY	D2-3
BODY FITTING	D4-5
BRAKE	B12, C1-2
BUMPER	C12, D1
CARBURETOR	A10
CARRIER	D6-7
CDI MAGNETO	D12, E1
CRANKCASE	B1
CRANKSHAFT PISTON	A3-4
CYLINDER HEAD CYLINDER	A2
DRUM BRAKE	C3-4
ELECTRICAL 1	E2-3
EXHAUST	A11-12
FRAME	B3
FRONT SUSPENSION WHEEL	B4-6
FUEL TANK	B10-11
GOVERNOR	C6
OIL PUMP	A6
OIL TANK	B9
PRIMARY SHEAVE	C7
PUMP DRIVE GEAR	A7
REAR AXLE WHEEL	C11
REAR SHOCKS	B2
SEAT	D8
SECONDARY SHEAVE	C8
STARTER GENERATOR	D9-10
STARTER PULLEY	D11
STEERING	B7-8
TRANSMISSION	C9-10

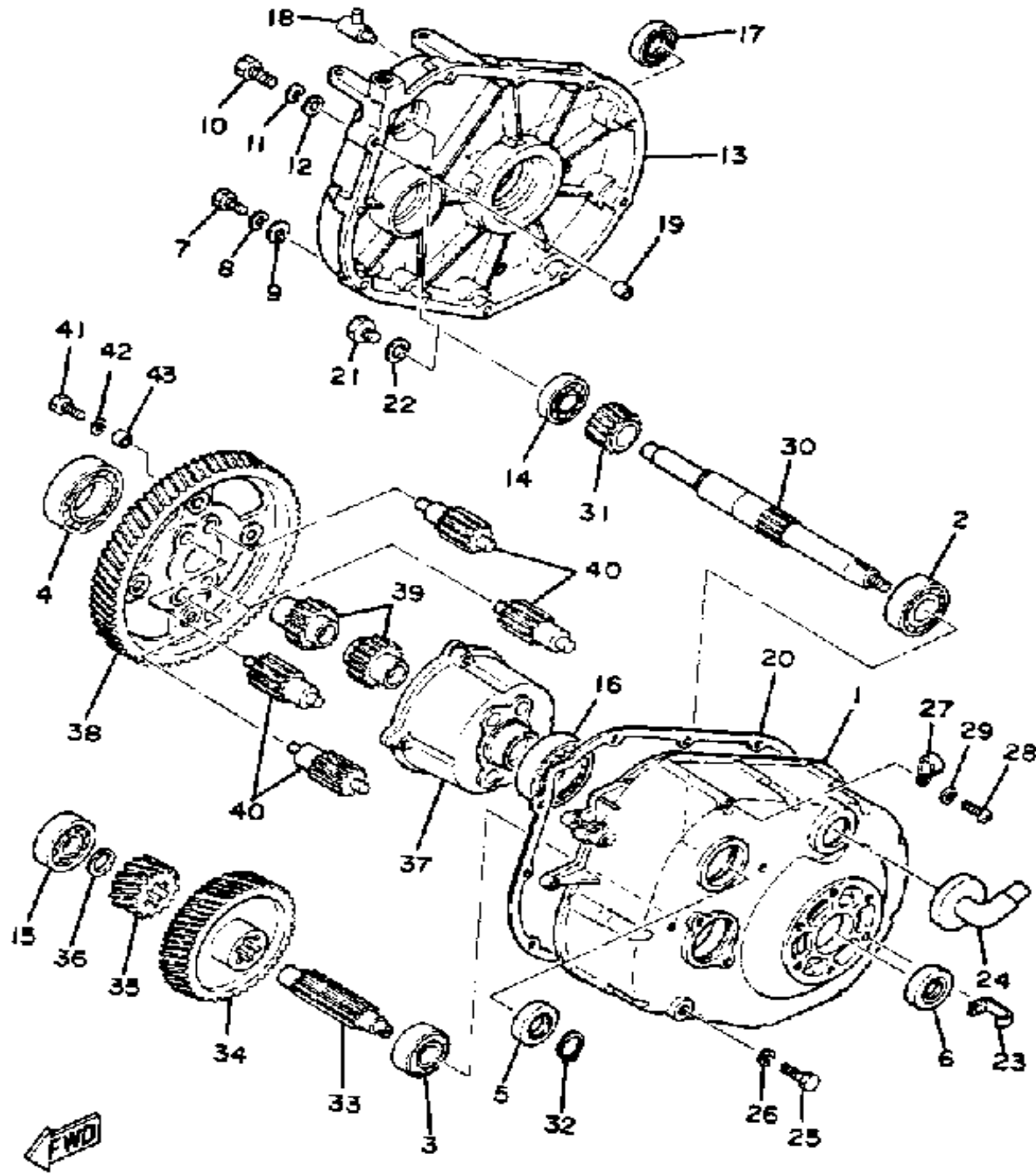
CONTINUED ON NEXT FRAME >

TRANSMISSION

Ref. No.	Part Number	Description	Qty	Remarks
30	J10-46321-00-00	SHAFT, INPUT	1	
31	J10-46331-02-00	GEAR, IMPUT 1	1	
32	93410-25017-00	CIRCLIP	1	
33	J10-46351-00-00	SHAFT, COUNTER	1	
34	J10-46361-02-00	GEAR, COUNTER 1	1	
35	J17-46362-00-00	GEAR, COUNTER 2	1	
36	90201-20272-00	WASHER, PLATE	1	
37	J10-W4641-00-00	CASE, DIFFERENTIAL	1	
38	J17-W4642-00-00	GEAR, RING	1	
39	J10-46414-00-00	GEAR, DIFF SIDE	2	
40	J10-46415-00-00	PINION, DIFF	4	
41	97313-08030-00	BOLT, HEXAGON	4	
42	92990-08100-00	WASHER	4	
43	99510-10114-00	PIN, DOWEL	2	

CONTENTS

ACCELERATOR	C5
AIR FILTER	A8-9
AIR SHROUD FAN	A5
BODY	D2-3
BODY FITTING	D4-5
BRAKE	B12 ,C1-2
BUMPER	C12 ,D1
CARBURETOR	A10
CARRIER	D6-7
CDI MAGNETO	D12 ,E1
CRANKCASE	B1
CRANKSHAFT PISTON	A3-4
CYLINDER HEAD CYLINDER	A2
DRUM BRAKE	C3-4
ELECTRICAL 1	E2-3
EXHAUST	A11-12
FRAME	B3
FRONT SUSPENSION WHEEL	B4-6
FUEL TANK	B10-11
GOVERNOR	C6
OIL PUMP	A6
OIL TANK	B9
PRIMARY SHEAVE	C7
PUMP DRIVE GEAR	A7
REAR AXLE WHEEL	C11
REAR SHOCKS	B2
SEAT	D8
SECONDARY SHEAVE	C8
STARTER GENERATOR	D9-10
STARTER PULLEY	D11
STEERING	B7-8
TRANSMISSION	C9-10

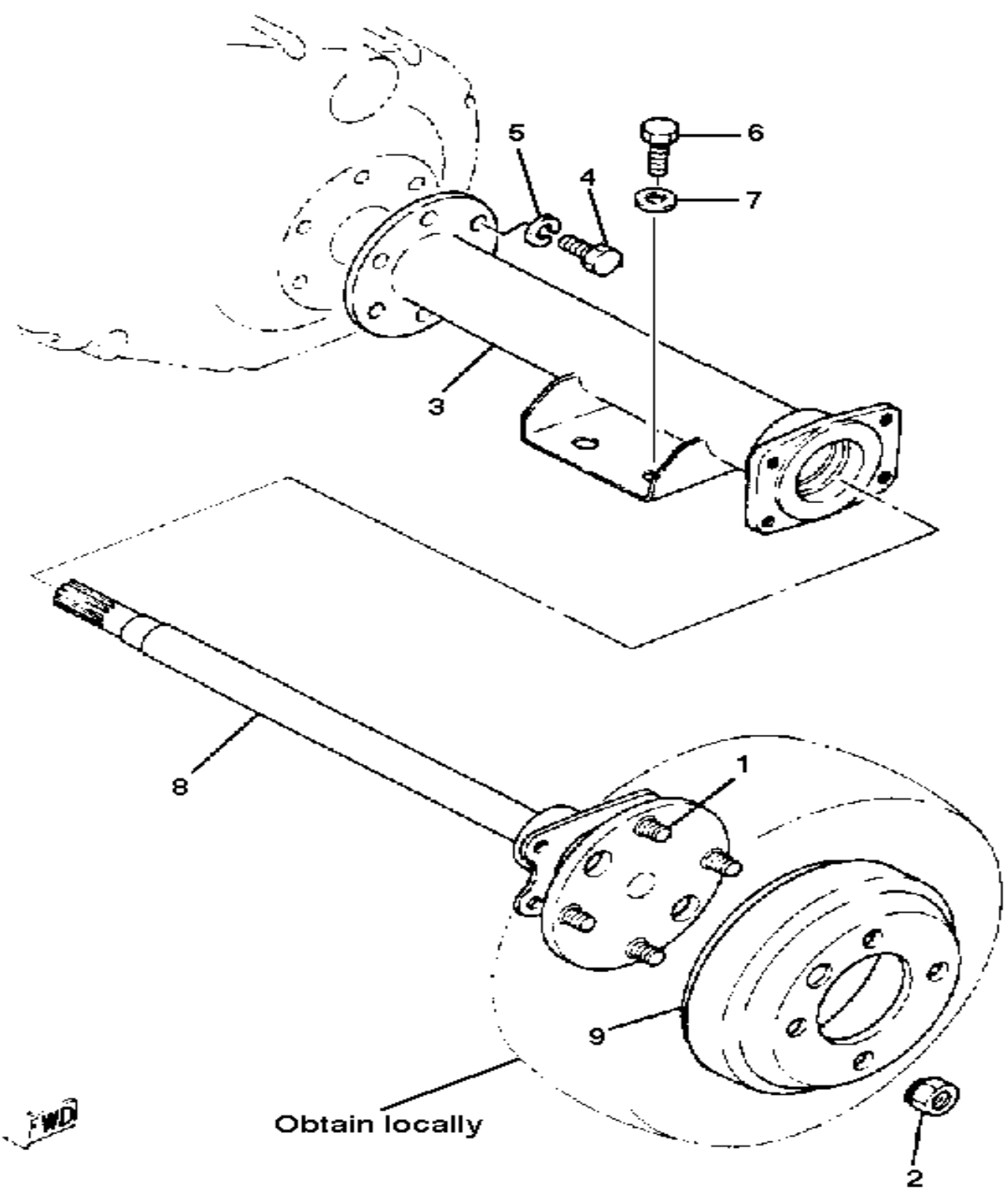


REAR AXLE WHEEL

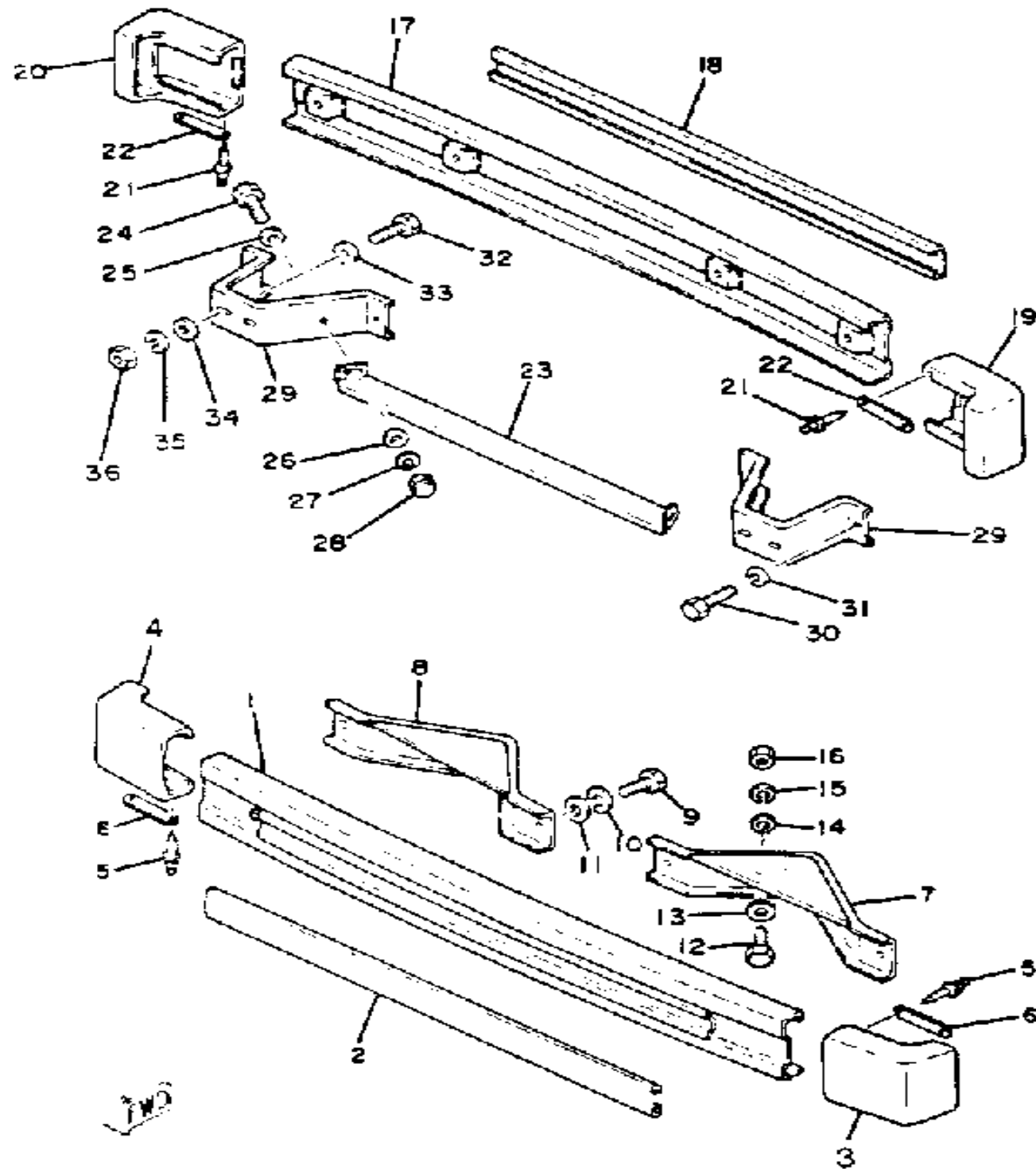
Ref. No.	Part Number	Description	Qty	Remarks
1	90114-12004-00	BOLT, RIBBED NECK	8	
2	90179-12262-00	NUT	8	
3	J10-46540-00-00	REAR AXLE HOUSING 1 COMP	2	
4	97013-08025-00	BOLT	12	
5	92990-08100-00	WASHER	12	
6	97011-10020-00	BOLT	8	
7	92990-10100-00	WASHER, SPRING	8	
8	J17-46510-01-00	REAR AXLE SHAFT 1	2	
9	J55-G6521-00-00	DRUM	2	

CONTENTS

ACCELERATOR	C5
AIR FILTER	A8-9
AIR SHROUD FAN	A5
BODY	D2-3
BODY FITTING	D4-5
BRAKE	B12 ,C1-2
BUMPER	C12 ,D1
CARBURETOR	A10
CARRIER	D6-7
CDI MAGNETO	D12 ,E1
CRANKCASE	B1
CRANKSHAFT PISTON	A3-4
CYLINDER HEAD CYLINDER	A2
DRUM BRAKE	C3-4
ELECTRICAL 1	E2-3
EXHAUST	A11-12
FRAME	B3
FRONT SUSPENSION WHEEL	B4-6
FUEL TANK	B10-11
GOVERNOR	C6
OIL PUMP	A6
OIL TANK	B9
PRIMARY SHEAVE	C7
PUMP DRIVE GEAR	A7
REAR AXLE WHEEL	C11
REAR SHOCKS	B2
SEAT	D8
SECONDARY SHEAVE	C8
STARTER GENERATOR	D9-10
STARTER PULLEY	D11
STEERING	B7-8
TRANSMISSION	C9-10



BUMPER



Ref. No.	Part Number	Description	Qty	Remarks
1	J17-78106-00-00	BUMPER SUB-ASSEMBLY, FRONT	1	
2	J17-78162-00-00	PAD, FRONT BUMPER	1	
3	J10-78167-01-00	BUMPER, RUBBER 1	1	
4	J10-78168-01-00	BUMPER, RUBBER 2	1	
5	90267-40077-00	RIVET, BLIND	8	
6	J17-77525-00-00	WASHER 1	4	
7	J42-78164-00-00	STAY, FRONT BUMPER 1 (J17-78165-00-00)	1	
8	J42-78165-00-00	STAY, FRONT BUMPER 2 (J17-78165-00-00)	1	
9	97313-08016-00	BOLT, HEXAGON	4	
10	92990-08100-00	WASHER	4	
11	92901-08600-00	WASHER	4	
12	97013-08025-00	BOLT	4	
13	92901-08600-00	WASHER	4	
14	90201-085E6-00	WASHER, PLATE	4	
15	92990-08100-00	WASHER	4	
16	95333-08600-00	NUT (6L2)	4	
17	J17-78107-00-00	BUMPER SUB-ASSEMBLY, REAR	1	
18	J17-78162-00-00	PAD, FRONT BUMPER	1	
19	J10-78167-01-00	BUMPER, RUBBER 1	1	
20	J10-78168-01-00	BUMPER, RUBBER 2	1	
21	90267-40077-00	RIVET, BLIND	8	
22	J17-77525-00-00	WASHER 1	4	
23	J10-78179-00-00	PLATE, EXTENSION	1	
24	97011-08016-00	BOLT	2	
25	92901-08600-00	WASHER	2	
26	92990-08200-00	WASHER, PLAIN (92902-08100-00)	2	

CONTENTS

ACCELERATOR	C5
AIR FILTER	A8-9
AIR SHROUD FAN	A5
BODY	D2-3
BODY FITTING	D4-5
BRAKE	B12 ,C1-2
BUMPER	C12 ,D1
CARBURETOR	A10
CARRIER	D6-7
CDI MAGNETO	D12 ,E1
CRANKCASE	B1
CRANKSHAFT PISTON	A3-4
CYLINDER HEAD CYLINDER	A2
DRUM BRAKE	C3-4
ELECTRICAL 1	E2-3
EXHAUST	A11-12
FRAME	B3
FRONT SUSPENSION WHEEL	B4-6
FUEL TANK	B10-11
GOVERNOR	C6
OIL PUMP	A6
OIL TANK	B9
PRIMARY SHEAVE	C7
PUMP DRIVE GEAR	A7
REAR AXLE WHEEL	C11
REAR SHOCKS	B2
SEAT	D8
SECONDARY SHEAVE	C8
STARTER GENERATOR	D9-10
STARTER PULLEY	D11
STEERING	B7-8
TRANSMISSION	C9-10

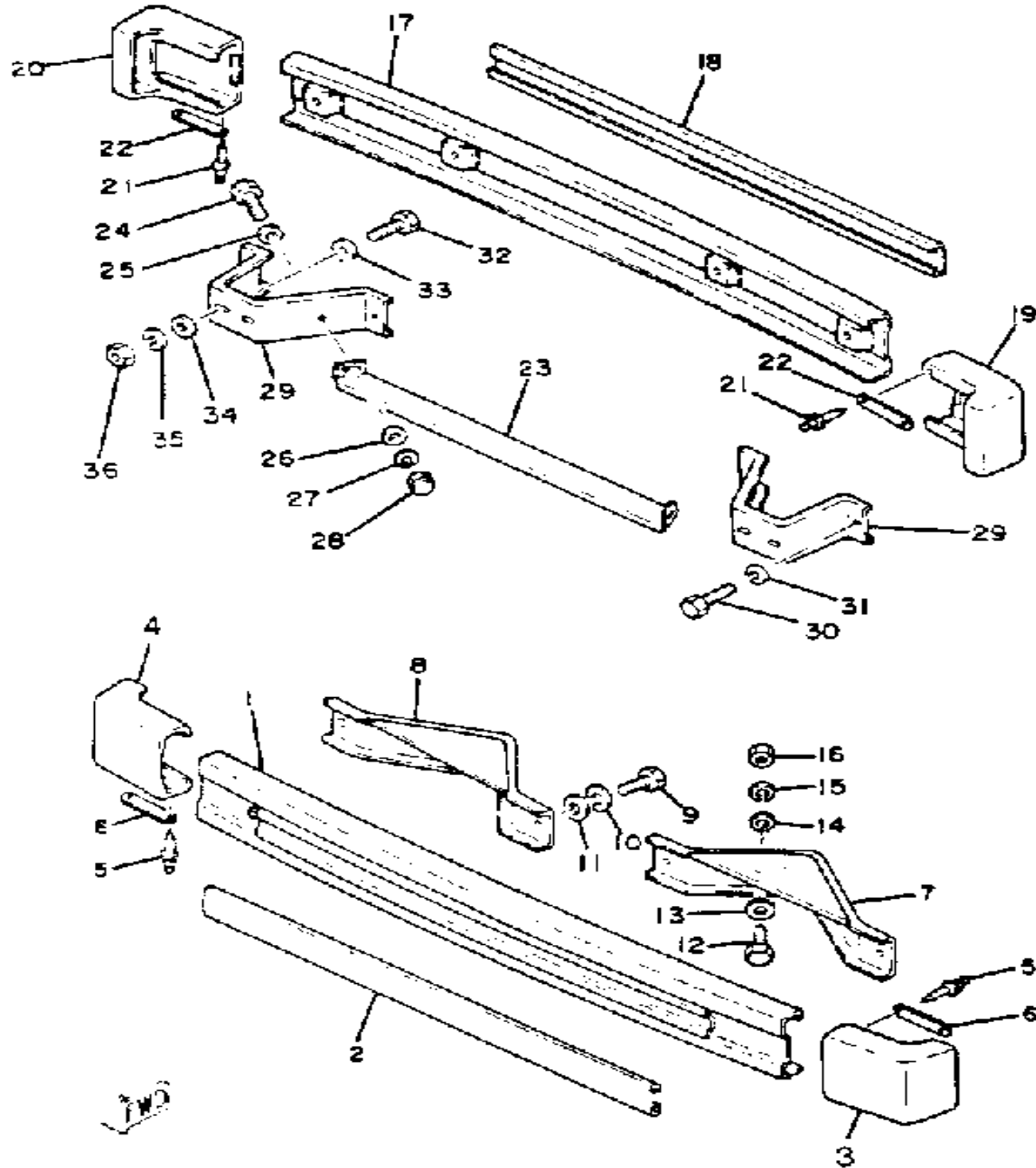
CONTINUED ON NEXT FRAME ►

BUMPER

Ref. No.	Part Number	Description	Qty	Remarks
27	92990-08100-00	WASHER	2	
28	95303-08800-00	NUT (CROWN) (93501-08800-00)	2	
29	J42-78174-00-00	STAY, REAR BUMPER (J10-78174-01-00-)	2	
30	97313-08016-00	BOLT, HEXAGON	4	
31	92990-08100-00	WASHER	4	
32	97313-08020-00	BOLT, HEXAGON	4	
33	92901-08600-00	WASHER	4	
34	92990-08200-00	WASHER, PLAIN (92902-08100-00)	4	
35	92990-08100-00	WASHER	4	
36	95333-08600-00	NUT (6L2)	4	

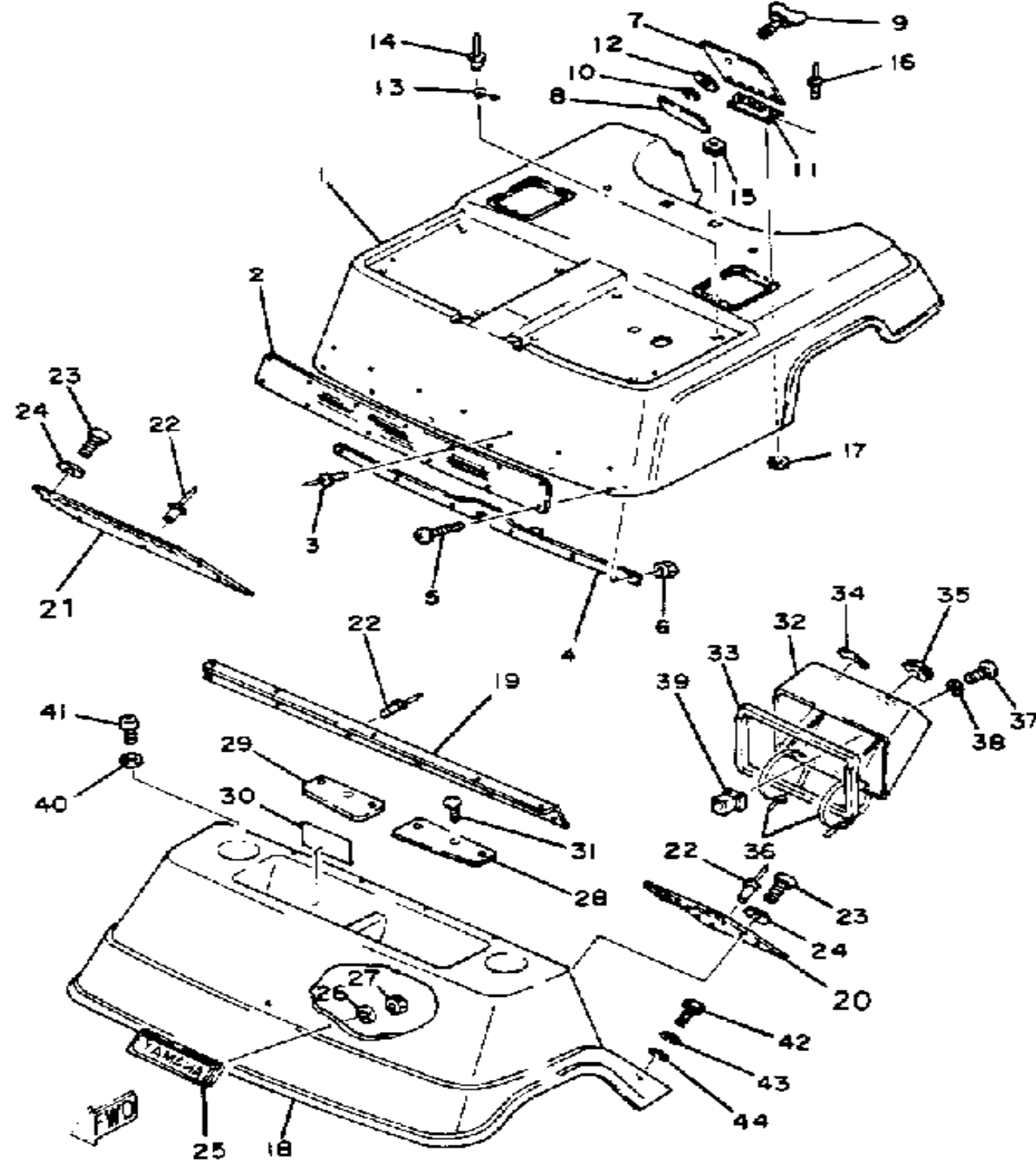
CONTENTS

ACCELERATOR	C5
AIR FILTER	A8-9
AIR SHROUD FAN	A5
BODY	D2-3
BODY FITTING	D4-5
BRAKE	B12 ,C1-2
BUMPER	C12 ,D1
CARBURETOR	A10
CARRIER	D6-7
CDI MAGNETO	D12 ,E1
CRANKCASE	B1
CRANKSHAFT PISTON	A3-4
CYLINDER HEAD CYLINDER	A2
DRUM BRAKE	C3-4
ELECTRICAL 1	E2-3
EXHAUST	A11-12
FRAME	B3
FRONT SUSPENSION WHEEL	B4-6
FUEL TANK	B10-11
GOVERNOR	C6
OIL PUMP	A6
OIL TANK	B9
PRIMARY SHEAVE	C7
PUMP DRIVE GEAR	A7
REAR AXLE WHEEL	C11
REAR SHOCKS	B2
SEAT	D8
SECONDARY SHEAVE	C8
STARTER GENERATOR	D9-10
STARTER PULLEY	D11
STEERING	B7-8
TRANSMISSION	C9-10



D1

BODY



Ref. No.	Part Number	Description	Qty	Remarks
1	J24-W7811-00-00	PANEL, BODY SHELL	1	
2	J10-78119-00-00	PLATE 3	1	
3	90267-40075-00	RIVET, BLIND	7	
4	J17-78121-00-00	REINFORCEMENT 1	1	
5	98980-06016-00	SCREW, BINDING	6	
6	95601-06200-00	NUT, U-FLANGE	6	
7	J17-78272-00-00	COVER, FUEL INLET	1	
8	J24-77764-00-00	LABEL, WARNING 4	1	
9	J10-78238-01-00	FASTENER, UPPER	1	
10	99009-06600-00	CIRCLIP	1	
11	J17-78275-00-00	HINGE, FUEL INLET	1	
12	90201-08100-00	WASHER, PLATE	1	
13	J10-78239-00-00	FASTENER, LOWER	1	
14	90267-32019-00	RIVET, BLIND	2	
15	90480-35242-00	GROMMET	2	
16	90267-40075-00	RIVET, BLIND	2	
17	90201-044H9-00	WASHER, PLAIN	2	
18	J17-78115-90-00	COWL, FRONT	1	
19	J17-77165-00-00	TRIM 1	1	
20	J17-78232-00-00	MAT, MAIN FLOOR 2	1	
21	J17-78233-00-00	MAT, MAIN FLOOR 3	1	
22	90267-63047-00	RIVET, BLIND	24	
23	90157-08028-00	SCREW, PAN HEAD	2	
24	90202-08134-00	WASHER, PLATE	2	
25	J10-78291-00-00	EMBLEM 1	1	
26	92990-05200-00	WASHER, PLAIN	2	
27	95701-05300-00	NUT, NYLON	2	
28	J17-77151-00-00	PAD 1	1	
29	J17-77152-00-00	PAD 2	1	
30	J10-77768-00-00	LABEL, WARNING	1	

CONTENTS

ACCELERATOR	C5
AIR FILTER	A8-9
AIR SHROUD FAN	A5
BODY	D2-3
BODY FITTING	D4-5
BRAKE	B12 ,C1-2
BUMPER	C12 ,D1
CARBURETOR	A10
CARRIER	D6-7
CDI MAGNETO	D12 ,E1
CRANKCASE	B1
CRANKSHAFT PISTON	A3-4
CYLINDER HEAD CYLINDER	A2
DRUM BRAKE	C3-4
ELECTRICAL 1	E2-3
EXHAUST	A11-12
FRAME	B3
FRONT SUSPENSION WHEEL	B4-6
FUEL TANK	B10-11
GOVERNOR	C6
OIL PUMP	A6
OIL TANK	B9
PRIMARY SHEAVE	C7
PUMP DRIVE GEAR	A7
REAR AXLE WHEEL	C11
REAR SHOCKS	B2
SEAT	D8
SECONDARY SHEAVE	C8
STARTER GENERATOR	D9-10
STARTER PULLEY	D11
STEERING	B7-8
TRANSMISSION	C9-10

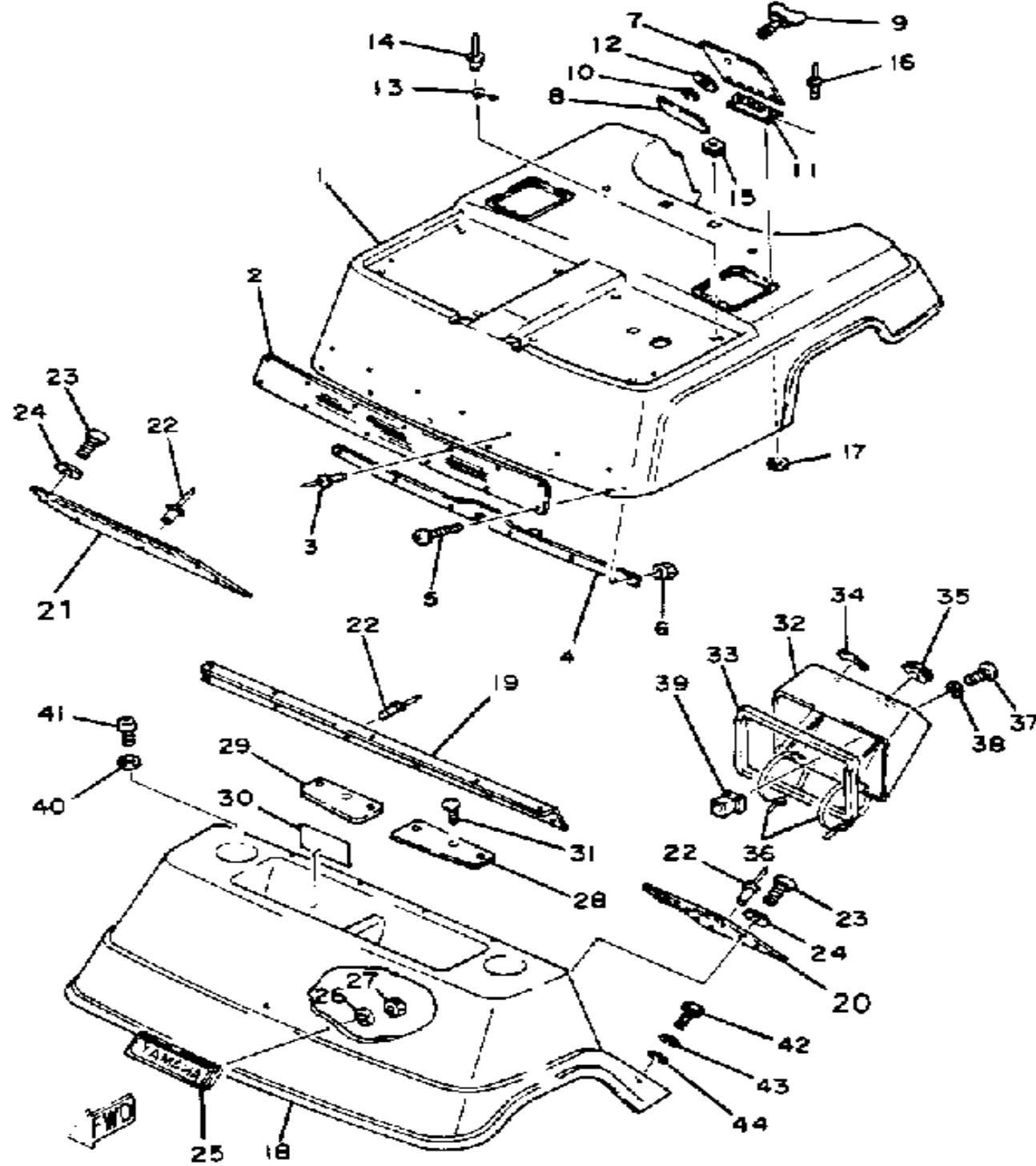
CONTINUED ON NEXT FRAME ►

BODY

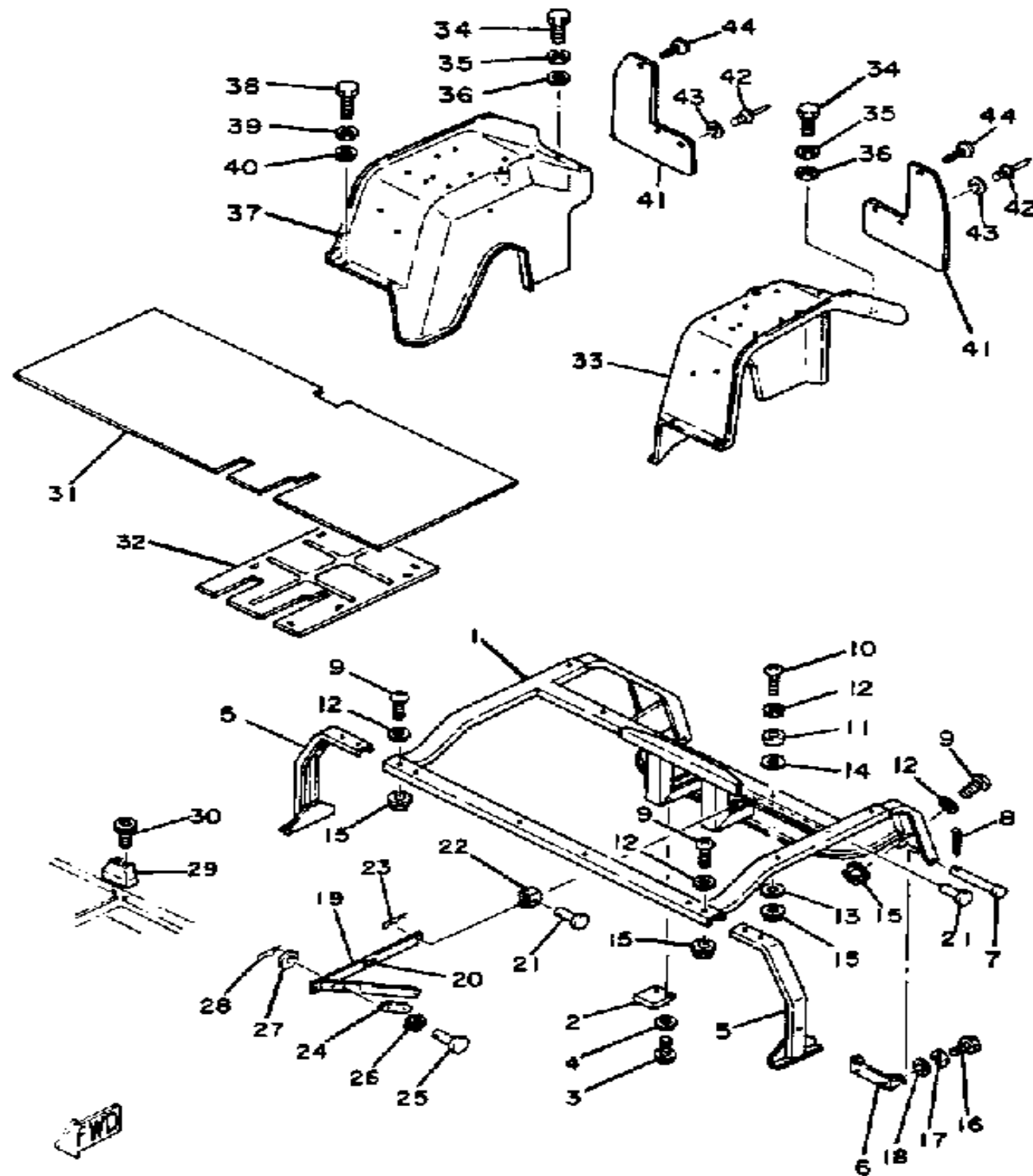
Ref. No.	Part Number	Description	Qty	Remarks
31	90269-06028-00	RIVET	2	
32	J10-77711-00-00	PANEL, INSTRUMENT	1	
33	J10-78245-00-00	SEAL 1	1	
34	J10-77741-00-00	INDICATOR 1	1	
35	90480-48243-00	GROMMET	1	
36	80L-26397-00-00	BAND	2	
37	97780-50130-00	SCREW, TAPPING	2	
38	90201-05036-00	WASHER, PLATE	2	
39	90480-07241-00	GROMMET	2	
40	90201-08310-00	WASHER, PLATE	2	
41	98980-08025-00	SCREW, BIND (98902-08025-00)	2	
42	97023-06020-00	BOLT (3XF) (97302-06020-00)	3	
43	92995-06100-00	WASHER, SPRING (92990-06100-00)	3	
44	90201-06075-00	WASHER, PLATE	3	

CONTENTS

ACCELERATOR	C5
AIR FILTER	A8-9
AIR SHROUD FAN	A5
BODY	D2-3
BODY FITTING	D4-5
BRAKE	B12 ,C1-2
BUMPER	C12 ,D1
CARBURETOR	A10
CARRIER	D6-7
CDI MAGNETO	D12 ,E1
CRANKCASE	B1
CRANKSHAFT PISTON	A3-4
CYLINDER HEAD CYLINDER	A2
DRUM BRAKE	C3-4
ELECTRICAL 1	E2-3
EXHAUST	A11-12
FRAME	B3
FRONT SUSPENSION WHEEL	B4-6
FUEL TANK	B10-11
GOVERNOR	C6
OIL PUMP	A6
OIL TANK	B9
PRIMARY SHEAVE	C7
PUMP DRIVE GEAR	A7
REAR AXLE WHEEL	C11
REAR SHOCKS	B2
SEAT	D8
SECONDARY SHEAVE	C8
STARTER GENERATOR	D9-10
STARTER PULLEY	D11
STEERING	B7-8
TRANSMISSION	C9-10



BODY FITTING



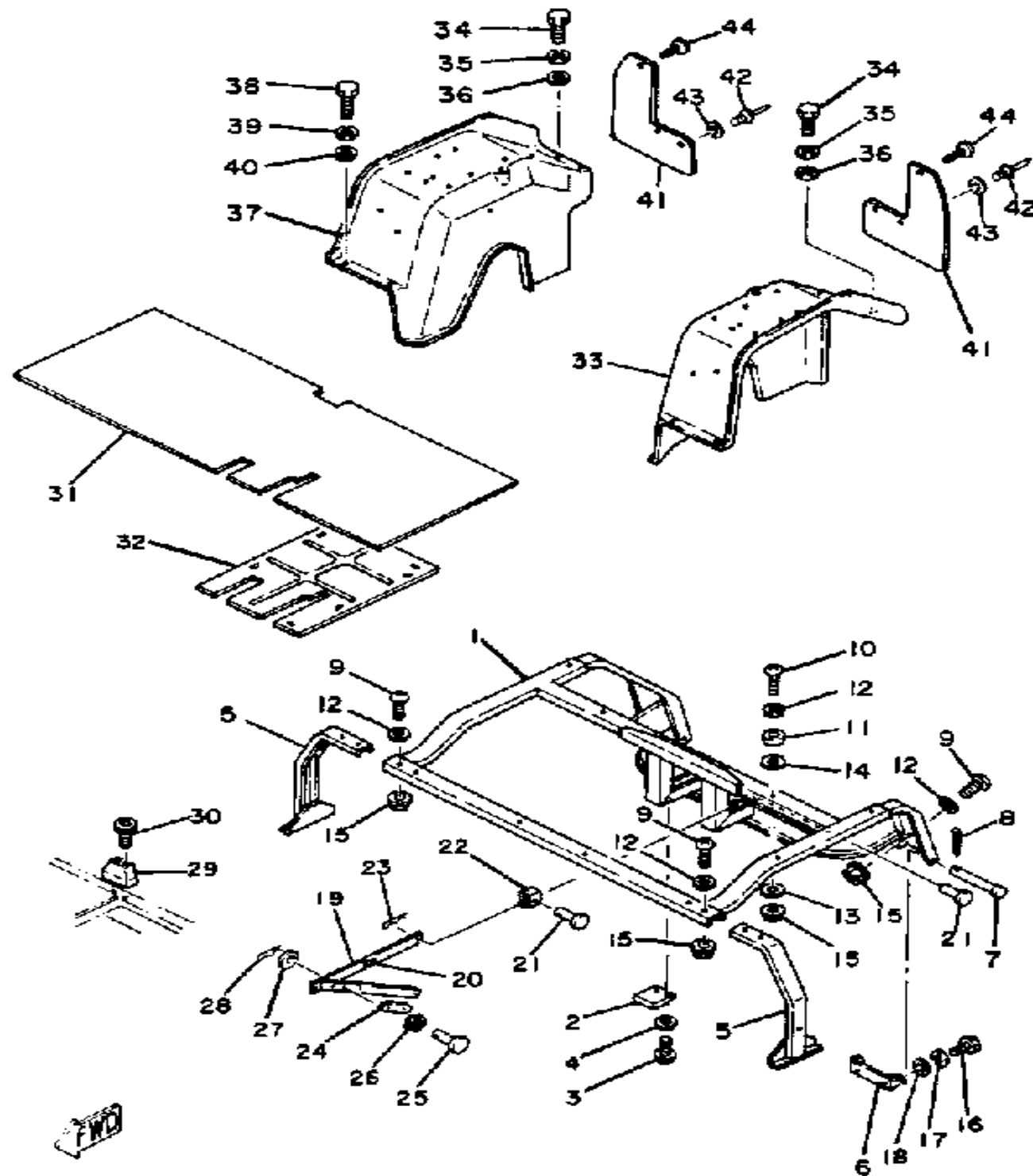
Ref. No.	Part Number	Description	Qty	Remarks
1	J31-77145-00-00	HINGE 1	1	
2	J17-78221-00-00	SHEET, BODY MOUNTING 1 ..	2	
3	98501-05018-00	SCREW, PAN HEAD	4	
4	92901-05600-00	WASHER, PLATE	4	
5	J31-78123-00-00	REINFORCEMENT 3	2	
6	J10-77146-00-00	HINGE 2	2	
7	91701-08118-00	PIN, CLEVIS	2	
8	91401-25020-00	PIN, COTTER	2	
9	98980-06020-00	SCREW, BIND	8	
10	98980-06025-00	SCREW, BIND	2	
11	90202-08085-00	WASHER, PLATE	2	
12	90201-06697-00	WASHER, PLATE	8	
13	90201-06697-00	WASHER, PLATE	2	
14	90201-08730-00	WASHER, PLATE	2	
15	95601-06200-00	NUT, U-FLANGE	10	
16	97313-08020-00	BOLT, HEXAGON	4	
17	92990-08100-00	WASHER	4	
18	92901-08600-00	WASHER	4	
19	J10-77125-00-00	STAY 1	1	
20	J10-77766-00-00	LABEL, WARNING 6	1	
21	91701-08020-00	PIN, CLEVIS	2	
22	J17-7712F-00-00	STAY 1	2	
23	90468-16065-00	CLIP	2	
24	J10-77188-00-00	STOPPER	1	
25	91701-06012-00	PIN, CLEVIS	1	
26	90206-06090-00	WASHER, WAVE	1	
27	92990-06200-00	WASHER	2	
28	90468-10050-00	CLIP	1	
29	J17-78156-00-00	STOPPER, LOCK	1	
30	91311-06035-00	BOLT, SOCKET HEAD	2	

CONTENTS

ACCELERATOR	C5
AIR FILTER	A8-9
AIR SHROUD FAN	A5
BODY	D2-3
BODY FITTING	D4-5
BRAKE	B12 ,C1-2
BUMPER	C12 ,D1
CARBURETOR	A10
CARRIER	D6-7
CDI MAGNETO	D12 ,E1
CRANKCASE	B1
CRANKSHAFT PISTON	A3-4
CYLINDER HEAD CYLINDER	A2
DRUM BRAKE	C3-4
ELECTRICAL 1	E2-3
EXHAUST	A11-12
FRAME	B3
FRONT SUSPENSION WHEEL	B4-6
FUEL TANK	B10-11
GOVERNOR	C6
OIL PUMP	A6
OIL TANK	B9
PRIMARY SHEAVE	C7
PUMP DRIVE GEAR	A7
REAR AXLE WHEEL	C11
REAR SHOCKS	B2
SEAT	D8
SECONDARY SHEAVE	C8
STARTER GENERATOR	D9-10
STARTER PULLEY	D11
STEERING	B7-8
TRANSMISSION	C9-10

CONTINUED ON NEXT FRAME ►

BODY FITTING

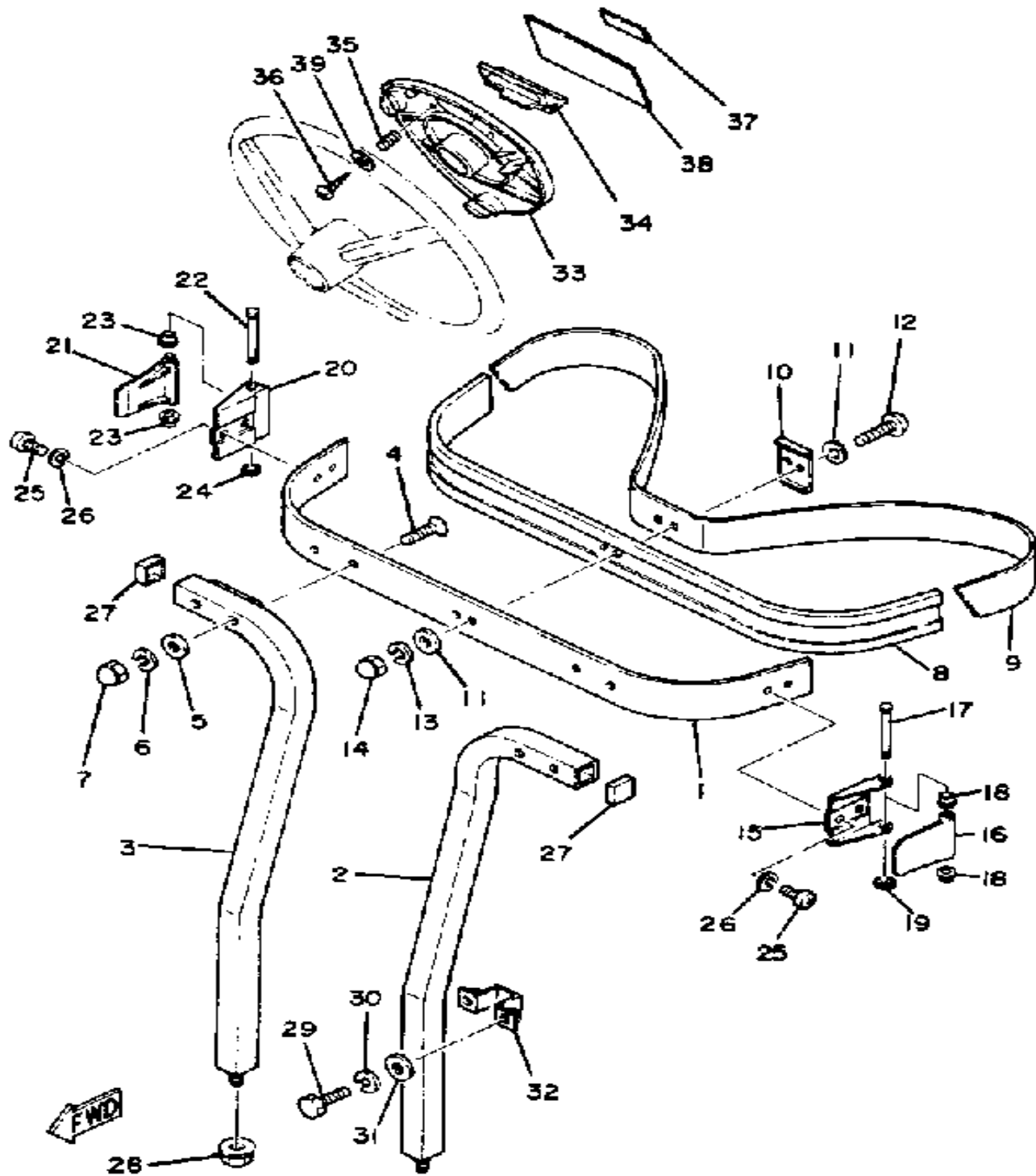


Ref. No.	Part Number	Description	Qty	Remarks
31	J10-78231-09-00	MAT, MAIN FLOOR 1 (J10-78231-02-00)	1	
32	J31-78271-00-00	SERVICE LID, PEDAL	1	
33	J24-78191-00-00	PANEL, RR FENDER 1	1	
34	97023-06020-00	BOLT (3XF) (97302-06020-00)	4	
35	92995-06100-00	WASHER, SPRING (92990-06100-00)	4	
36	90201-062A8-00	WASHER, PLATE	4	
37	J24-78192-00-00	PANEL, RR FENDER 2	1	
38	97023-06020-00	BOLT (3XF) (97302-06020-00)	4	
39	92995-06100-00	WASHER, SPRING (92990-06100-00)	4	
40	90201-062A8-00	WASHER, PLATE	4	
41	J24-78199-00-00	FLAP, REAR 2	2	
42	90267-40075-00	RIVET, BLIND	4	
43	90201-05034-00	WASHER, PLATE	4	
44	90269-06028-00	RIVET	2	

CONTENTS

ACCELERATOR	C5
AIR FILTER	A8-9
AIR SHROUD FAN	A5
BODY	D2-3
BODY FITTING	D4-5
BRAKE	B12, C1-2
BUMPER	C12, D1
CARBURETOR	A10
CARRIER	D6-7
CDI MAGNETO	D12, E1
CRANKCASE	B1
CRANKSHAFT PISTON	A3-4
CYLINDER HEAD CYLINDER	A2
DRUM BRAKE	C3-4
ELECTRICAL 1	E2-3
EXHAUST	A11-12
FRAME	B3
FRONT SUSPENSION WHEEL	B4-6
FUEL TANK	B10-11
GOVERNOR	C6
OIL PUMP	A6
OIL TANK	B9
PRIMARY SHEAVE	C7
PUMP DRIVE GEAR	A7
REAR AXLE WHEEL	C11
REAR SHOCKS	B2
SEAT	D8
SECONDARY SHEAVE	C8
STARTER GENERATOR	D9-10
STARTER PULLEY	D11
STEERING	B7-8
TRANSMISSION	C9-10

CARRIER



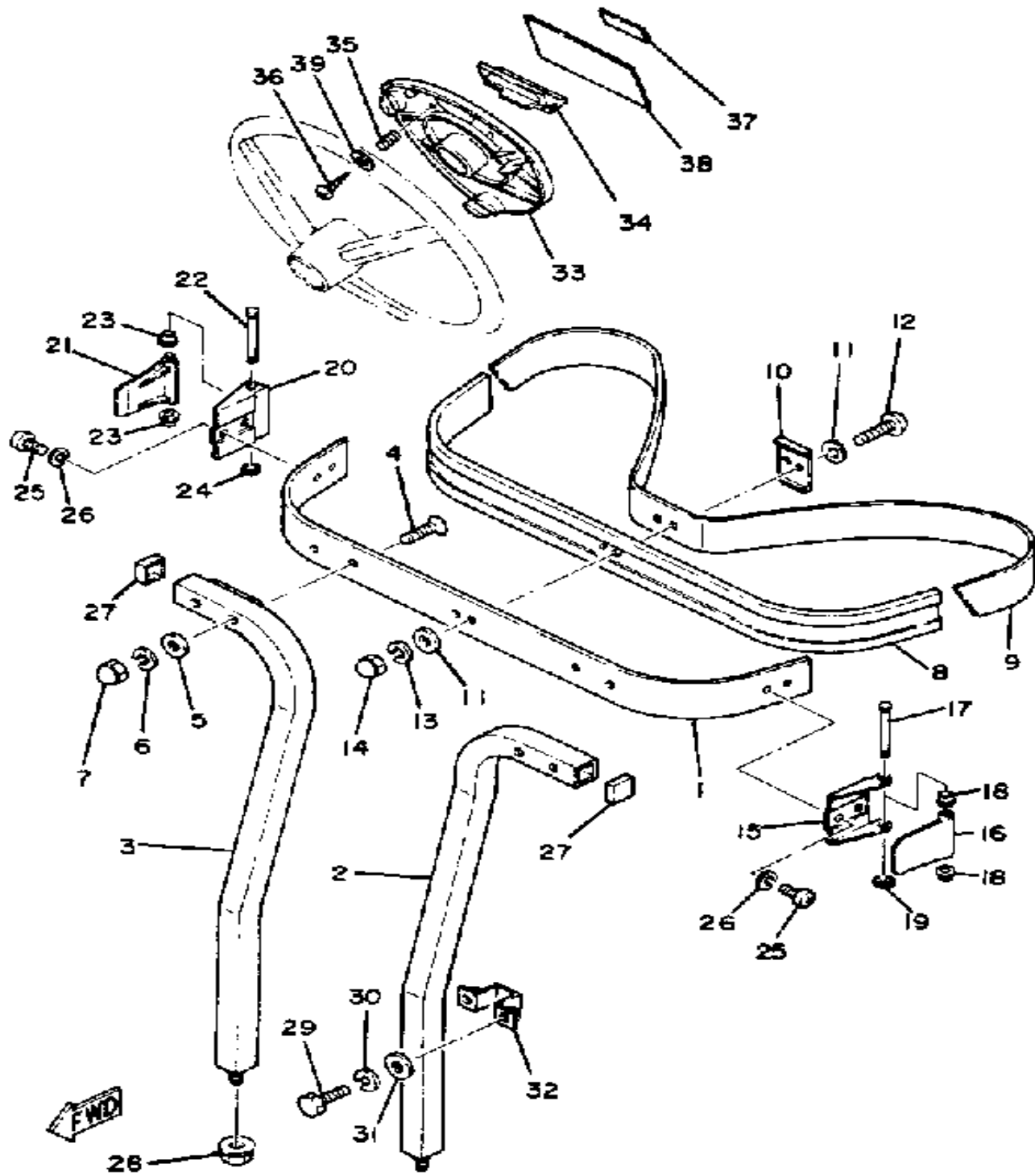
Ref. No.	Part Number	Description	Qty	Remarks
1	J42-78351-00-00	SUPPORT, BAG UPPER (J10-78351-00-9E)	1	IVORY WHT
2	J10-78352-00-00	SUPPORT, BAG LOWER 1 (J10-78352-00-9E)	1	IVORY WHT
3	J10-78353-00-00	SUPPORT, BAG LOWER 2 (J10-78353-00-9E)	1	IVORY WHT
4	98701-08045-00	SCREW, FLAT HEAD (92701-08045-00)	4	
5	90202-08022-00	WASHER, PLATE	4	
6	92990-08100-00	WASHER	4	
7	95380-08800-00	NUT, CROWN	4	
8	J10-78356-00-00	PAD, BAG SUPPORT	1	
9	J10-78355-00-00	BAND	1	
10	J10-78367-00-00	PLATE, ANCHOR	1	
11	92990-06200-00	WASHER	4	
12	98980-06016-00	SCREW, BINDING	2	
13	92995-06100-00	WASHER, SPRING (92990-06100-00)	2	
14	95380-06800-00	NUT	2	
15	J17-78157-01-00	BASE, LOCK	1	
16	J17-78368-01-00	LEVER, LOCK	1	
17	J17-78369-00-00	PIN, LEVER	1	
18	90386-06108-00	BUSH	2	
19	99080-05600-00	CIRCLIP (93430-05027-00)	1	
20	J17-78157-01-00	BASE, LOCK	1	
21	J17-78368-01-00	LEVER, LOCK	1	
22	J17-78369-00-00	PIN, LEVER	1	
23	90386-06108-00	BUSH	2	
24	99080-05600-00	CIRCLIP (93430-05027-00)	1	
25	98580-06010-00	SCREW, PAN HEAD (92503-06010-00)	4	
26	92995-06100-00	WASHER, SPRING (92990-06100-00)	4	

CONTENTS

ACCELERATOR	C5
AIR FILTER	A8-9
AIR SHROUD FAN	A5
BODY	D2-3
BODY FITTING	D4-5
BRAKE	B12, C1-2
BUMPER	C12, D1
CARBURETOR	A10
CARRIER	D6-7
CDI MAGNETO	D12, E1
CRANKCASE	B1
CRANKSHAFT PISTON	A3-4
CYLINDER HEAD CYLINDER	A2
DRUM BRAKE	C3-4
ELECTRICAL 1	E2-3
EXHAUST	A11-12
FRAME	B3
FRONT SUSPENSION WHEEL	B4-6
FUEL TANK	B10-11
GOVERNOR	C6
OIL PUMP	A6
OIL TANK	B9
PRIMARY SHEAVE	C7
PUMP DRIVE GEAR	A7
REAR AXLE WHEEL	C11
REAR SHOCKS	B2
SEAT	D8
SECONDARY SHEAVE	C8
STARTER GENERATOR	D9-10
STARTER PULLEY	D11
STEERING	B7-8
TRANSMISSION	C9-10

CONTINUED ON NEXT FRAME >

CARRIER

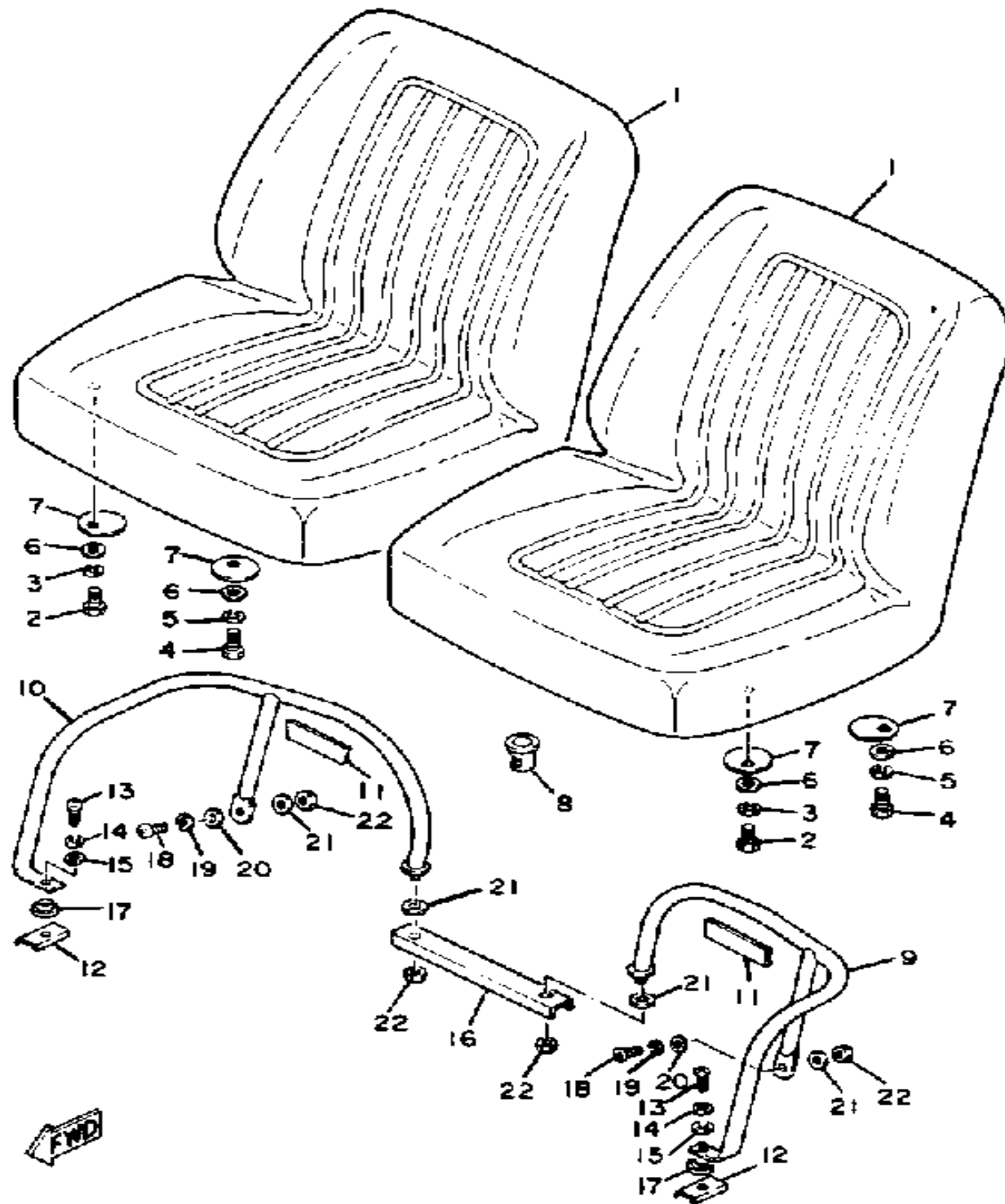


Ref. No.	Part Number	Description	Qty	Remarks
27	J10-78139-00-00	CAP, END	2	
28	95601-10200-00	NUT, SELF-LOCKING	2	
29	97313-06065-00	BOLT, HEXAGON	4	
30	92995-06100-00	WASHER, SPRING (92990-06100-00)	4	
31	92901-06600-00	WASHER	4	
32	J10-78366-01-00	CLAMP, SUPPORT	2	
33	J10-78357-01-00	HOLDER 1	1	
34	J10-78358-00-00	HOLDER 2	1	
35	90502-10013-00	SPRING, CONICAL	2	
36	97780-50125-00	SCREW, TAPPING	2	
37	J10-78292-00-00	EMBLEM 2	1	
38	J10-77762-01-00	LABEL, WARNING 2	1	
39	92901-05600-00	WASHER, PLATE	2	

CONTENTS

ACCELERATOR	C5
AIR FILTER	A8-9
AIR SHROUD FAN	A5
BODY	D2-3
BODY FITTING	D4-5
BRAKE	B12 ,C1-2
BUMPER	C12 ,D1
CARBURETOR	A10
CARRIER	D6-7
CDI MAGNETO	D12 ,E1
CRANKCASE	B1
CRANKSHAFT PISTON	A3-4
CYLINDER HEAD CYLINDER	A2
DRUM BRAKE	C3-4
ELECTRICAL 1	E2-3
EXHAUST	A11-12
FRAME	B3
FRONT SUSPENSION WHEEL	B4-6
FUEL TANK	B10-11
GOVERNOR	C6
OIL PUMP	A6
OIL TANK	B9
PRIMARY SHEAVE	C7
PUMP DRIVE GEAR	A7
REAR AXLE WHEEL	C11
REAR SHOCKS	B2
SEAT	D8
SECONDARY SHEAVE	C8
STARTER GENERATOR	D9-10
STARTER PULLEY	D11
STEERING	B7-8
TRANSMISSION	C9-10

SEAT

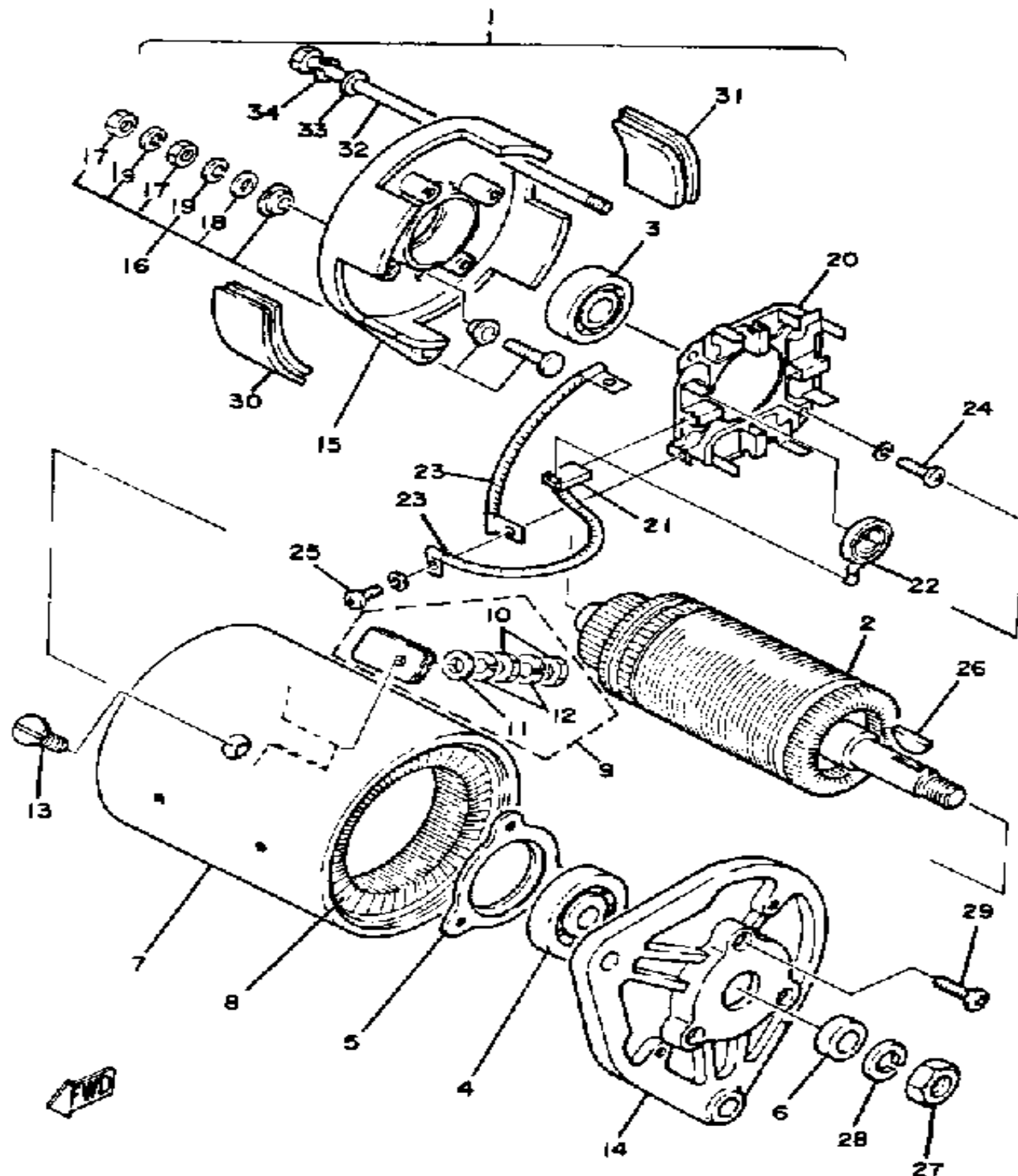


Ref. No.	Part Number	Description	Qty	Remarks
1	J36-78401-90-00	SEAT SUB-ASSEMBLY, CUSHION (J24-78401-01-00) ..	2	UR
2	97001-08025-00	BOLT (1NV)	6	
3	92990-08100-00	WASHER	6	
4	97313-08030-00	BOLT, HEXAGON	2	
5	92990-08100-00	WASHER	2	
6	90201-08310-00	WASHER, PLATE	8	
7	J10-78439-00-00	WASHER, SEAT	8	
8	90480-35346-00	GROMMET	2	
9	J24-78361-00-00	ARM REST 1	1	
10	J24-78362-00-00	ARM REST 2	1	
11	J24-78348-00-00	SPACER, ARM REST	2	
12	J24-78347-00-00	SPACER, ARMREST	2	
13	98502-08030-00	SCREW, PAN HEAD (92502-08030-00)	2	
14	92990-08100-00	WASHER	2	
15	92901-08600-00	WASHER	2	
16	J24-78346-00-00	SUPPORT ARM REST	1	
17	J24-78345-00-00	WASHER, ARM REST	2	
18	98501-08025-00	SCREW, PAN HEAD	2	
19	92990-08100-00	WASHER	2	
20	92901-08600-00	WASHER	2	
21	90201-08310-00	WASHER, PLATE	2	
22	95611-08100-00	NUT, U	4	

CONTENTS

ACCELERATOR	C5
AIR FILTER	A8-9
AIR SHROUD FAN	A5
BODY	D2-3
BODY FITTING	D4-5
BRAKE	B12, C1-2
BUMPER	C12, D1
CARBURETOR	A10
CARRIER	D6-7
CDI MAGNETO	D12, E1
CRANKCASE	B1
CRANKSHAFT PISTON	A3-4
CYLINDER HEAD CYLINDER	A2
DRUM BRAKE	C3-4
ELECTRICAL 1	E2-3
EXHAUST	A11-12
FRAME	B3
FRONT SUSPENSION WHEEL	B4-6
FUEL TANK	B10-11
GOVERNOR	C6
OIL PUMP	A6
OIL TANK	B9
PRIMARY SHEAVE	C7
PUMP DRIVE GEAR	A7
REAR AXLE WHEEL	C11
REAR SHOCKS	B2
SEAT	D8
SECONDARY SHEAVE	C8
STARTER GENERATOR	D9-10
STARTER PULLEY	D11
STEERING	B7-8
TRANSMISSION	C9-10

STARTER GENERATOR



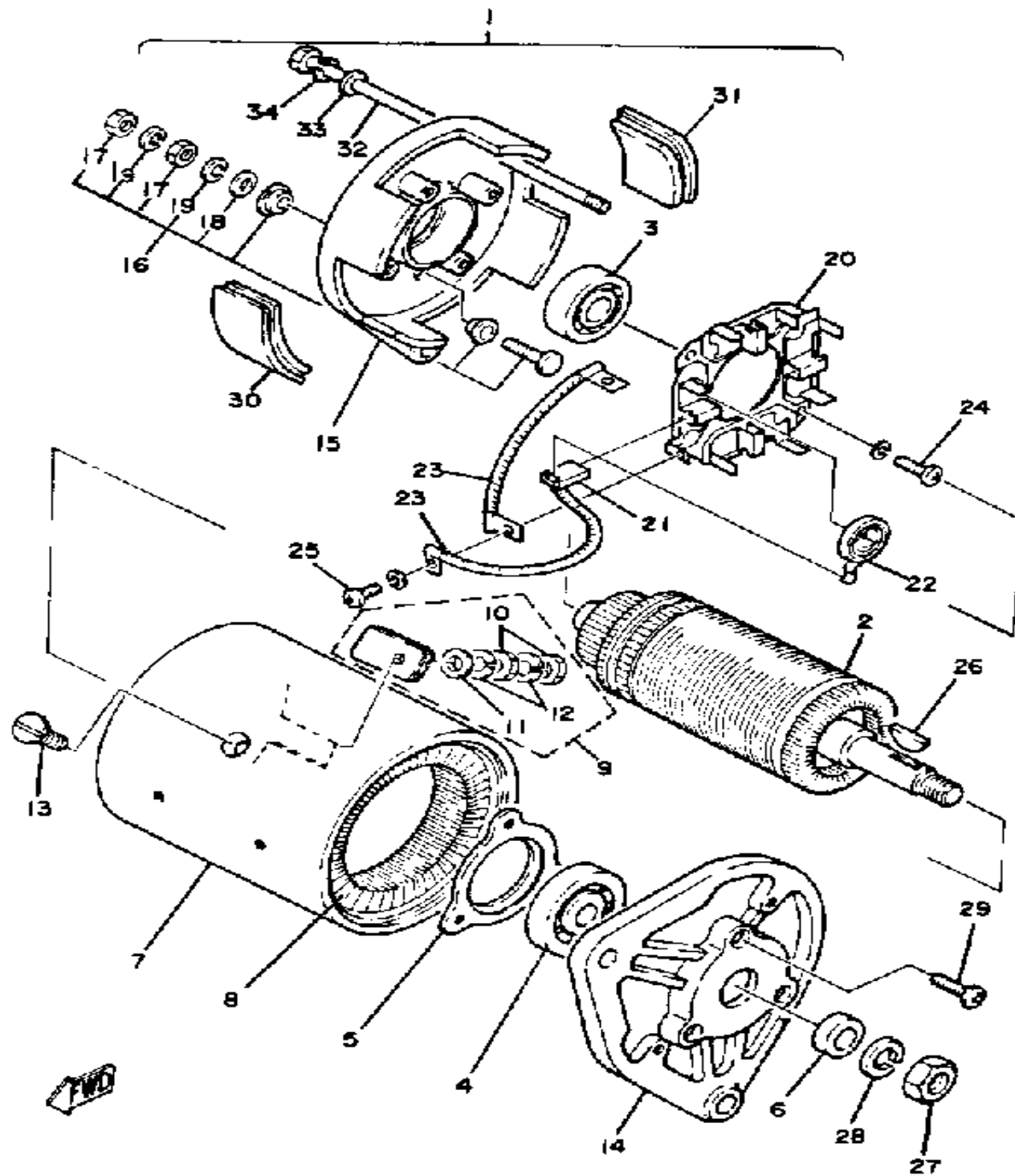
Ref. No.	Part Number	Description	Qty	Remarks
1	J10-81100-10-00	STARTER GENERATOR ASSEMBLY	1	
2	J10-81150-10-00	. ARMATURE ASSEMBLY	1	
3	J10-81157-10-00	. BEARING 1 (6202 SD)	1	
4	J10-81158-10-00	. BEARING 2 (6203 SD)	1	
5	J10-81159-10-00	. HOLDER, BEARING	1	
6	J10-81175-10-00	. STOPPER 1	1	
7	J10-81110-10-00	. STATOR ASSEMBLY	1	
8	J10-81160-10-00	. FIELD COIL ASSEMBLY	1	
9	J10-81148-10-00	. SCREW SET 4	2	
10	95380-06600-00	.. NUT (95303-06600-00)	4	
11	92901-06600-00	.. WASHER	2	
12	92995-06100-00	.. WASHER, SPRING (92990-06100-00)	4	
13	J10-81146-10-00	. SCREW	4	
14	J10-81165-10-00	. BRACKET, STARTER GENERATOR 1	1	
15	J10-81166-10-00	. BRACKET, STARTER GENERATOR 2	1	
16	J10-81147-10-00	. SCREW	2	
17	95380-06600-00	.. NUT (95303-06600-00)	4	
18	92901-06600-00	.. WASHER	2	
19	92995-06100-00	.. WASHER, SPRING (92990-06100-00)	4	
20	J10-81119-10-00	. BRUSH HOLDER ASSEMBLY	1	
21	J10-81111-10-00	. BRUSH	4	
22	J10-81113-10-00	. SPRING, BRUSH	4	
23	J10-81115-10-00	. WIRE, LEAD	2	
24	98580-05016-00	. SCREW, PAN HEAD	2	
25	98580-04010-00	. SCREW, PAN HEAD	4	
26	J38-81163-10-00	. KEY	1	

CONTENTS

ACCELERATOR	C5
AIR FILTER	A8-9
AIR SHROUD FAN	A5
BODY	D2-3
BODY FITTING	D4-5
BRAKE	B12, C1-2
BUMPER	C12, D1
CARBURETOR	A10
CARRIER	D6-7
CDI MAGNETO	D12, E1
CRANKCASE	B1
CRANKSHAFT PISTON	A3-4
CYLINDER HEAD CYLINDER	A2
DRUM BRAKE	C3-4
ELECTRICAL 1	E2-3
EXHAUST	A11-12
FRAME	B3
FRONT SUSPENSION WHEEL	B4-6
FUEL TANK	B10-11
GOVERNOR	C6
OIL PUMP	A6
OIL TANK	B9
PRIMARY SHEAVE	C7
PUMP DRIVE GEAR	A7
REAR AXLE WHEEL	C11
REAR SHOCKS	B2
SEAT	D8
SECONDARY SHEAVE	C8
STARTER GENERATOR	D9-10
STARTER PULLEY	D11
STEERING	B7-8
TRANSMISSION	C9-10

CONTINUED ON NEXT FRAME ►

STARTER GENERATOR

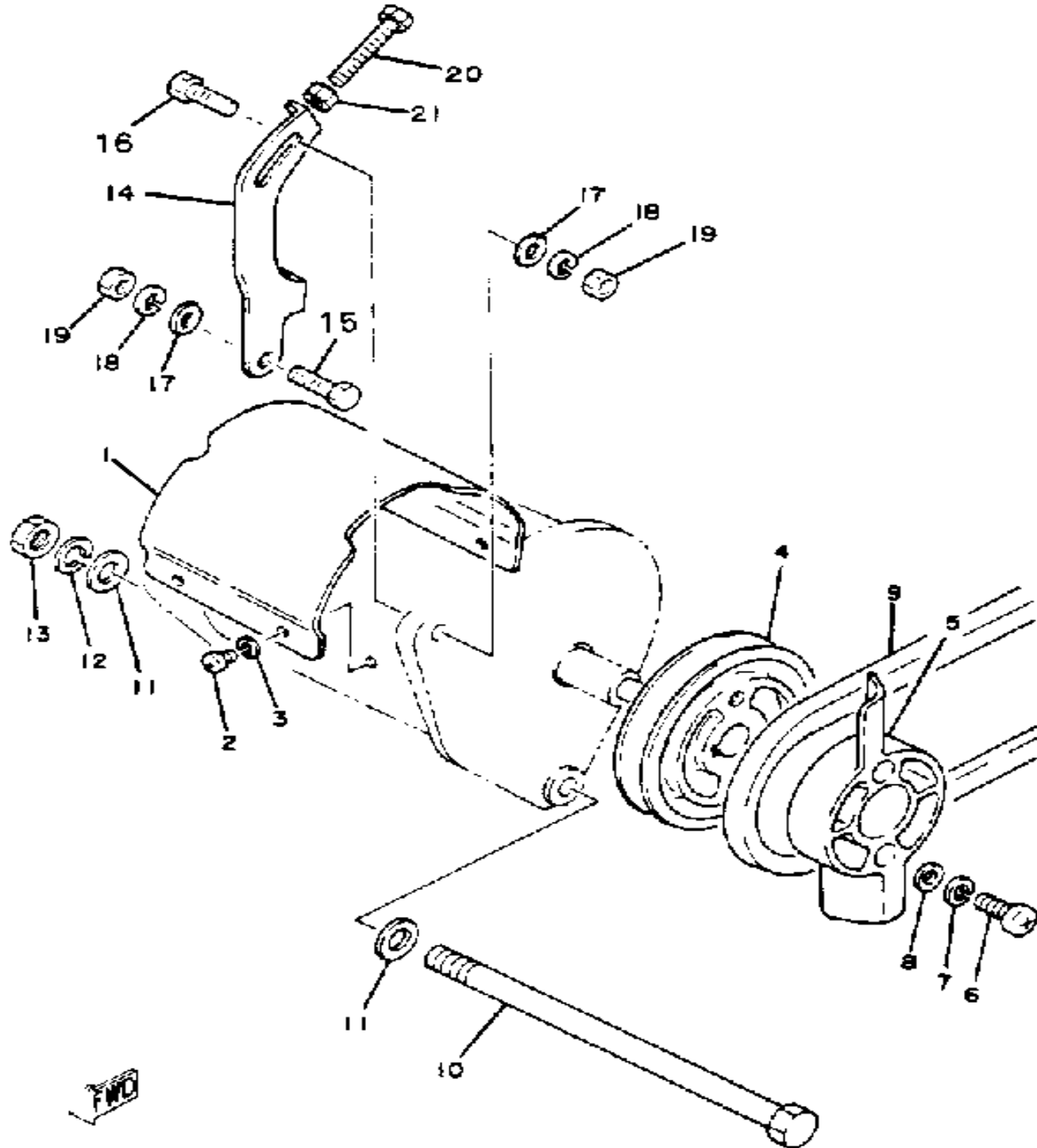


Ref. No.	Part Number	Description	Qty	Remarks
27	95312-14600-00	. NUT	1	
28	92995-06100-00	. WASHER, SPRING (92990-06100-00)	1	
29	98501-05018-00	. SCREW, PAN HEAD	3	
30	J10-81129-10-00	. COVER, BRUSH	3	
31	J10-81129-10-00	. COVER, BRUSH	1	
32	J10-81145-10-00	. SCREW 1	2	
33	92901-06600-00	. WASHER	2	
34	92995-06100-00	. WASHER, SPRING (92990-06100-00)	2	

CONTENTS

ACCELERATOR	C5
AIR FILTER	A8-9
AIR SHROUD FAN	A5
BODY	D2-3
BODY FITTING	D4-5
BRAKE	B12, C1-2
BUMPER	C12, D1
CARBURETOR	A10
CARRIER	D6-7
CDI MAGNETO	D12, E1
CRANKCASE	B1
CRANKSHAFT PISTON	A3-4
CYLINDER HEAD CYLINDER	A2
DRUM BRAKE	C3-4
ELECTRICAL 1	E2-3
EXHAUST	A11-12
FRAME	B3
FRONT SUSPENSION WHEEL	B4-6
FUEL TANK	B10-11
GOVERNOR	C6
OIL PUMP	A6
OIL TANK	B9
PRIMARY SHEAVE	C7
PUMP DRIVE GEAR	A7
REAR AXLE WHEEL	C11
REAR SHOCKS	B2
SEAT	D8
SECONDARY SHEAVE	C8
STARTER GENERATOR	D9-10
STARTER PULLEY	D11
STEERING	B7-8
TRANSMISSION	C9-10

STARTER PULLEY



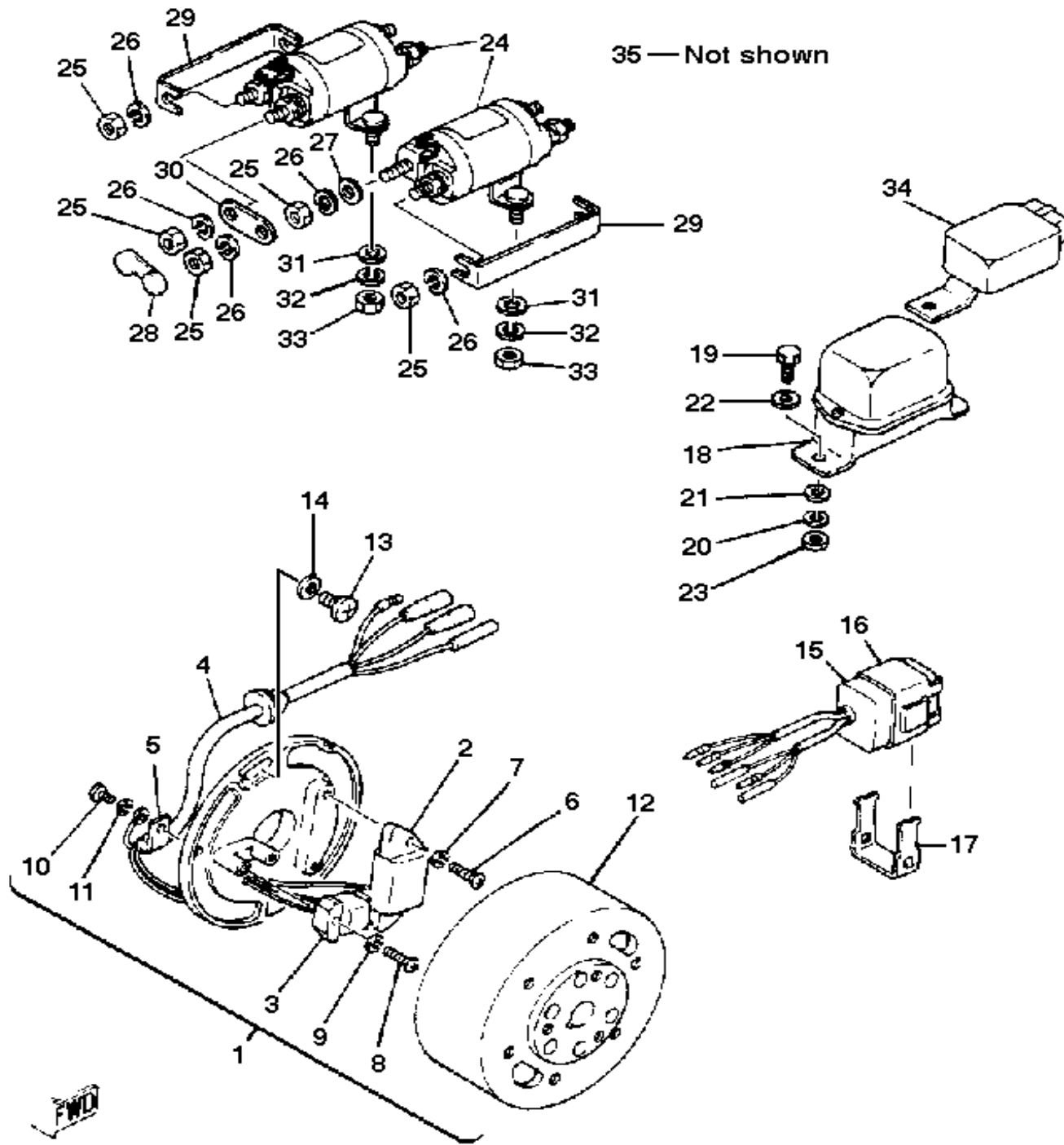
Ref. No.	Part Number	Description	Qty	Remarks
1	J17-87183-00-00	INSULATOR, GEN	1	
2	98580-05010-00	SCREW, PAN HEAD	4	
3	92990-05100-00	WASHER, SPRING	4	
4	J10-81161-01-00	PULLEY	1	
5	J10-87172-00-00	FAN, GENERATOR	1	
6	98511-06025-00	SCREW PAN HEAD (92501-06025-00)	2	
7	92995-06100-00	WASHER, SPRING (92990-06100-00)	2	
8	92901-06600-00	WASHER	2	
9	J10-81173-00-XX	BELT	1	
10	90101-12545-00	BOLT	1	
11	92990-12600-00	WASHER, PLATE (92902-12600-00)	2	
12	92901-12100-00	WASHER, SPRING	1	
13	95303-12600-00	NUT	1	
14	J17-81170-00-00	TENSIONER ASSEMBLY (92902-08100-00)	1	
15	97313-08020-00	BOLT, HEXAGON	1	
16	90109-08653-00	BOLT	1	
17	92901-08600-00	WASHER	2	
18	92990-08100-00	WASHER	2	
19	95333-08600-00	NUT (6L2)	2	
20	90101-06410-00	BOLT	1	
21	95380-06700-00	NUT	1	

CONTENTS

ACCELERATOR	C5
AIR FILTER	A8-9
AIR SHROUD FAN	A5
BODY	D2-3
BODY FITTING	D4-5
BRAKE	B12 ,C1-2
BUMPER	C12 ,D1
CARBURETOR	A10
CARRIER	D6-7
CDI MAGNETO	D12 ,E1
CRANKCASE	B1
CRANKSHAFT PISTON	A3-4
CYLINDER HEAD CYLINDER	A2
DRUM BRAKE	C3-4
ELECTRICAL 1	E2-3
EXHAUST	A11-12
FRAME	B3
FRONT SUSPENSION WHEEL	B4-6
FUEL TANK	B10-11
GOVERNOR	C6
OIL PUMP	A6
OIL TANK	B9
PRIMARY SHEAVE	C7
PUMP DRIVE GEAR	A7
REAR AXLE WHEEL	C11
REAR SHOCKS	B2
SEAT	D8
SECONDARY SHEAVE	C8
STARTER GENERATOR	D9-10
STARTER PULLEY	D11
STEERING	B7-8
TRANSMISSION	C9-10

D11

CDI MAGNETO



Ref. No.	Part Number	Description	Qty	Remarks
1	J10-85500-20-00	CDI MAGNETO ASSEMBLY ...	1	
2	8G8-85511-20-00	. COIL SOURCE 1	1	
3	J10-85580-20-00	. COIL, PULSER	1	
4	J10-85515-20-00	. LEAD WIRE ASSEMBLY	1	
5	104-81328-20-00	. CLAMP	2	
6	98580-05020-00	. SCREW, PAN HEAD	2	
7	92990-05100-00	. WASHER, SPRING	2	
8	98511-04020-00	. SCREW, PAN HEAD	2	
9	92901-04100-00	. WASHER, SPRING	2	
10	98580-04008-00	. SCREW, PAN HEAD (98501-04008-00)	1	
11	92901-04100-00	. WASHER, SPRING	1	
12	J10-85550-20-00	. ROTOR ASSEMBLY	1	
13	98903-06014-00	SCREW, BIND	2	
14	90201-06043-00	WASHER, PLATE	2	
15	J10-85540-20-00	CDI UNIT ASSEMBLY	1	
16	2A7-85546-00-00	BAND	1	
17	82M-21245-00-00	BOX	1	
18	J10-81910-10-00	VOLTAGE REG ASSEMBLY ..	1	
19	97313-06016-00	BOLT, HEXAGON	2	
20	92995-06100-00	WASHER, SPRING (92990-06100-00)	2	
21	92901-06600-00	WASHER	2	
22	90201-06043-00	WASHER, PLATE	2	
23	95380-06600-00	NUT (95303-06600-00)	2	
24	J17-81950-01-00	RELAY ASSEMBLY	2	SEE REF # 35
25	95303-08700-00	. NUT	8	
26	92990-08100-00	. WASHER	8	
27	92901-08600-00	. WASHER	4	
28	J24-82532-00-00	CAP	4	
29	J17-86126-00-00	PLATE, CONNECTING 1	2	

CONTENTS

ACCELERATOR	C5
AIR FILTER	A8-9
AIR SHROUD FAN	A5
BODY	D2-3
BODY FITTING	D4-5
BRAKE	B12 ,C1-2
BUMPER	C12 ,D1
CARBURETOR	A10
CARRIER	D6-7
CDI MAGNETO	D12 ,E1
CRANKCASE	B1
CRANKSHAFT PISTON	A3-4
CYLINDER HEAD CYLINDER	A2
DRUM BRAKE	C3-4
ELECTRICAL 1	E2-3
EXHAUST	A11-12
FRAME	B3
FRONT SUSPENSION WHEEL	B4-6
FUEL TANK	B10-11
GOVERNOR	C6
OIL PUMP	A6
OIL TANK	B9
PRIMARY SHEAVE	C7
PUMP DRIVE GEAR	A7
REAR AXLE WHEEL	C11
REAR SHOCKS	B2
SEAT	D8
SECONDARY SHEAVE	C8
STARTER GENERATOR	D9-10
STARTER PULLEY	D11
STEERING	B7-8
TRANSMISSION	C9-10

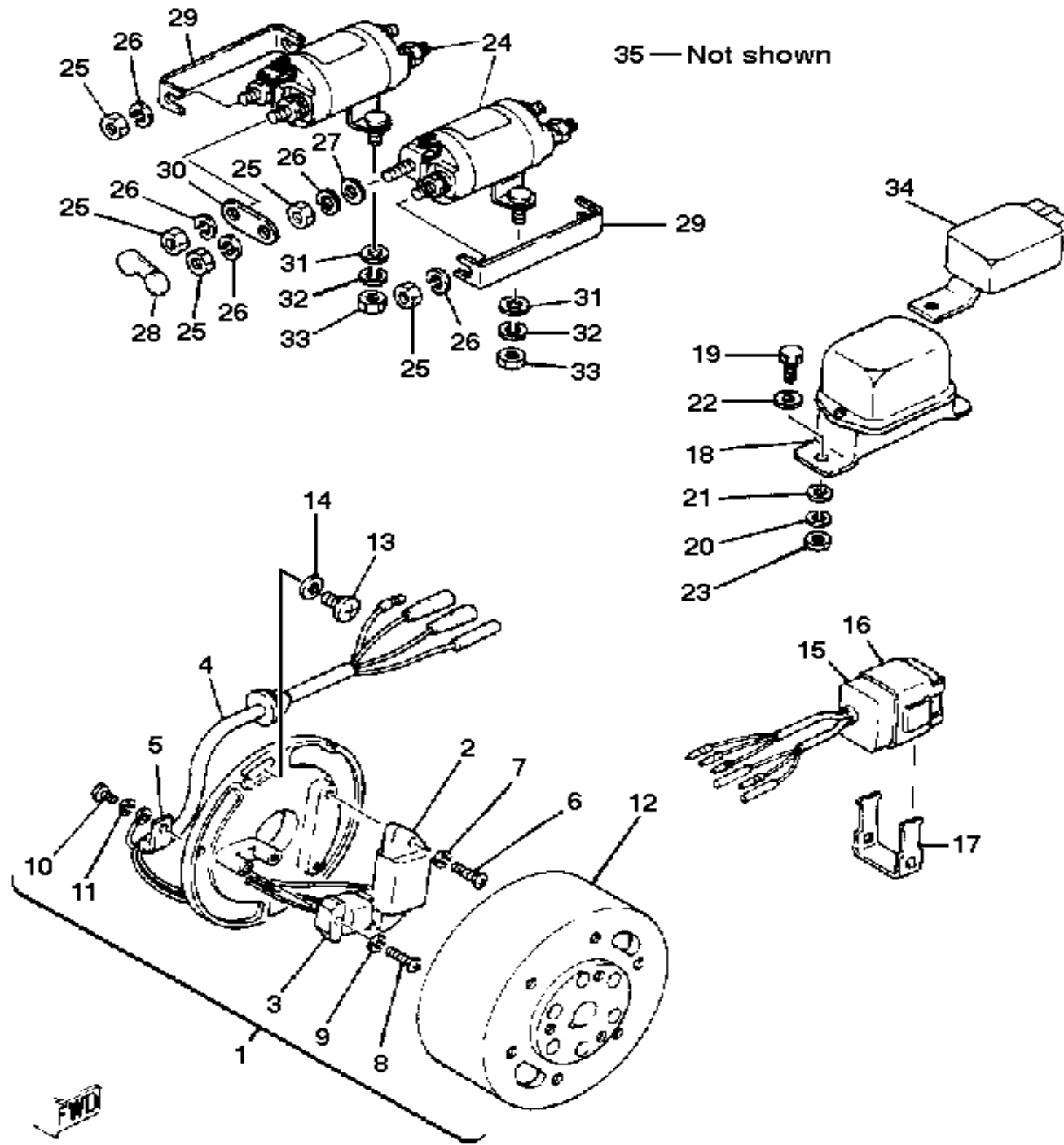
CONTINUED ON NEXT FRAME >

CDI MAGNETO

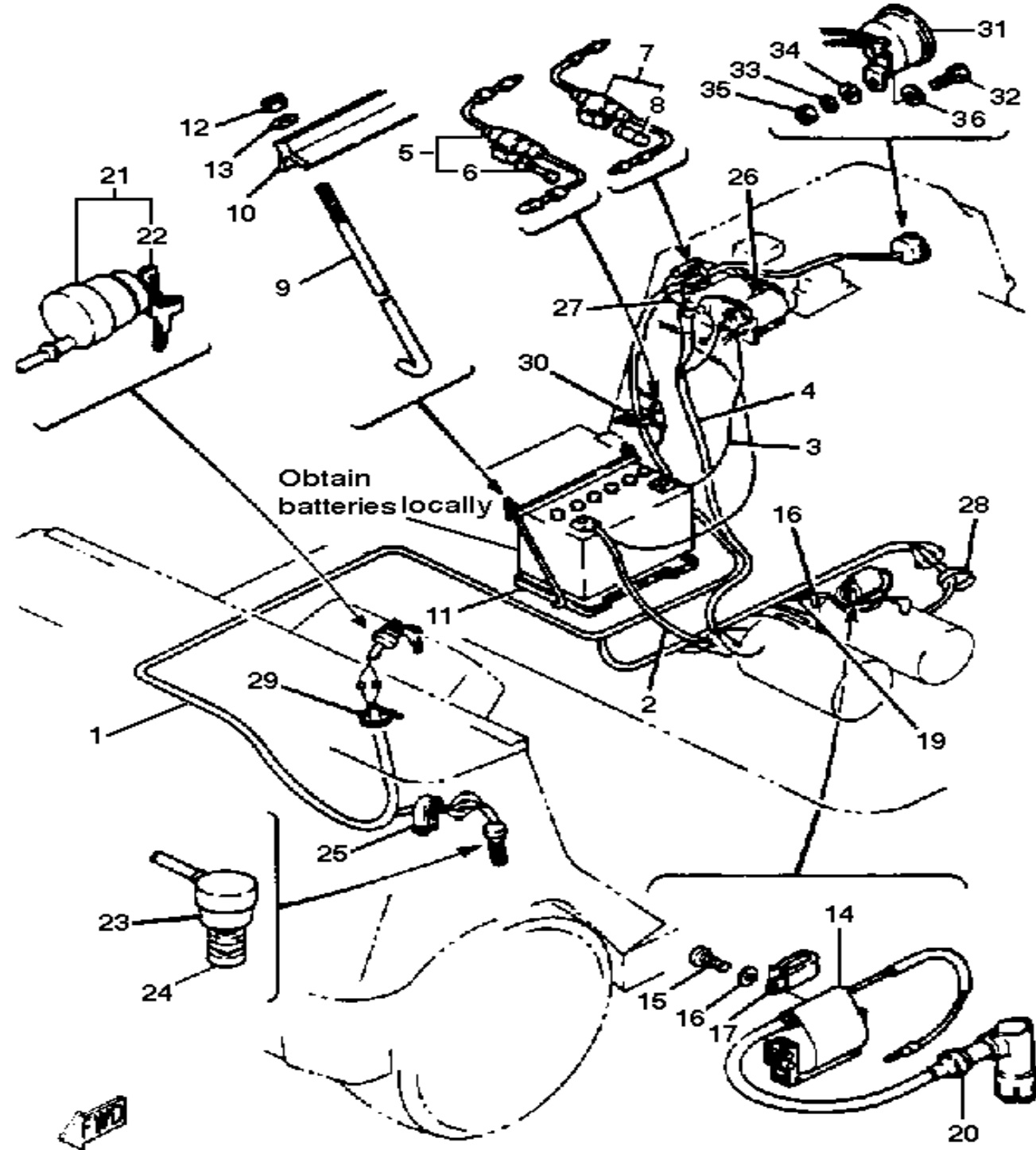
Ref. No.	Part Number	Description	Qty	Remarks
30	J17-86127-00-00	PLATE, CONNECTING 2	2	
31	92990-08200-00	WASHER, PLAIN (92902-08100-00)	4	
32	92990-08100-00	WASHER	4	
33	95333-08600-00	NUT (6L2)	4	
34	J27-81950-01-00	RELAY ASSEMBLY	1	
35	J17-81920-19-00	SOLENOID REBUILD KIT	1	NOT SHOWN

CONTENTS

ACCELERATOR	C5
AIR FILTER	A8-9
AIR SHROUD FAN	A5
BODY	D2-3
BODY FITTING	D4-5
BRAKE	B12 ,C1-2
BUMPER	C12 ,D1
CARBURETOR	A10
CARRIER	D6-7
CDI MAGNETO	D12 ,E1
CRANKCASE	B1
CRANKSHAFT PISTON	A3-4
CYLINDER HEAD CYLINDER	A2
DRUM BRAKE	C3-4
ELECTRICAL 1	E2-3
EXHAUST	A11-12
FRAME	B3
FRONT SUSPENSION WHEEL	B4-6
FUEL TANK	B10-11
GOVERNOR	C6
OIL PUMP	A6
OIL TANK	B9
PRIMARY SHEAVE	C7
PUMP DRIVE GEAR	A7
REAR AXLE WHEEL	C11
REAR SHOCKS	B2
SEAT	D8
SECONDARY SHEAVE	C8
STARTER GENERATOR	D9-10
STARTER PULLEY	D11
STEERING	B7-8
TRANSMISSION	C9-10



ELECTRICAL 1



Ref. No.	Part Number	Description	Qty	Remarks
1	J17-82590-21-00	WIRE HARNESS ASSEMBLY ..	1	
2	J10-82115-00-00	WIRE, PLUS LEAD	1	
3	J17-82116-00-00	WIRE, MINUS LEAD	1	
4	J17-82105-00-00	WIRE HARNESS	1	
5	1E6-82150-00-00	FUSE HOLDER ASSEMBLY ...	1	
6	1E6-82151-00-00	. FUSE (10A)	2	
7	1E6-82150-00-00	FUSE HOLDER ASSEMBLY ...	1	
8	1E6-82151-00-00	. FUSE (10A)	2	
9	J17-82133-00-00	SCREW, FITTING	2	
10	J55-H2136-00-00	PLATE, BATTERY FITTING ...	1	
11	J55-H2122-00-00	SEAT, BATTERY	1	
12	95701-06300-00	NUT, NYLON	2	
13	92990-06200-00	WASHER	2	
14	5G4-82310-40-00	IGNITION COIL ASSEMBLY (J17-82310-21-00)	1	
15	98511-06025-00	SCREW PAN HEAD (92501-06025-00)	2	
16	92995-06100-00	WASHER, SPRING (92990-06100-00)	2	
17	90465-06038-00	CLAMP	1	
18	90464-12036-00	CLAMP	1	
19	J42-82318-00-00	WIRE, SUB-LEAD	1	
20	512-82370-10-00	PLUG CAP ASSEMBLY	1	WITH NOISE SUPPRESSOR
21	J17-82508-20-00	MAIN SWITCH ASSEMBLY ...	1	
22	J17-82511-20-00	. KEY, MAIN SWITCH	1	
23	J17-82550-01-00	STOP SWITCH ASSEMBLY ...	1	
24	J10-82532-00-00	. CAP, RUBBER	1	
25	90465-08028-00	CLAMP	1	
26	J17-86177-00-00	WIRE, LEAD 7	1	
27	J42-82318-00-00	WIRE, SUB-LEAD	1	

CONTENTS

ACCELERATOR	C5
AIR FILTER	A8-9
AIR SHROUD FAN	A5
BODY	D2-3
BODY FITTING	D4-5
BRAKE	B12 ,C1-2
BUMPER	C12 ,D1
CARBURETOR	A10
CARRIER	D6-7
CDI MAGNETO	D12 ,E1
CRANKCASE	B1
CRANKSHAFT PISTON	A3-4
CYLINDER HEAD CYLINDER	A2
DRUM BRAKE	C3-4
ELECTRICAL 1	E2-3
EXHAUST	A11-12
FRAME	B3
FRONT SUSPENSION WHEEL	B4-6
FUEL TANK	B10-11
GOVERNOR	C6
OIL PUMP	A6
OIL TANK	B9
PRIMARY SHEAVE	C7
PUMP DRIVE GEAR	A7
REAR AXLE WHEEL	C11
REAR SHOCKS	B2
SEAT	D8
SECONDARY SHEAVE	C8
STARTER GENERATOR	D9-10
STARTER PULLEY	D11
STEERING	B7-8
TRANSMISSION	C9-10

CONTINUED ON NEXT FRAME >

ELECTRICAL 1

Ref. No.	Part Number	Description	Qty	Remarks
28	437-83936-01-00	BAND, SWITCH CORD	1	
29	25G-83936-01-00	BAND, SWITCH CORD	1	
30	90464-12036-00	CLAMP	4	
31	J10-83383-02-00	BUZZER	1	
32	97313-06016-00	BOLT, HEXAGON	1	
33	92995-06100-00	WASHER, SPRING (92990-06100-00)	1	
34	92901-06600-00	WASHER	1	
35	95380-06600-00	NUT (95303-06600-00)	1	
36	90201-06043-00	WASHER, PLATE	1	

CONTENTS

ACCELERATOR	C5
AIR FILTER	A8-9
AIR SHROUD FAN	A5
BODY	D2-3
BODY FITTING	D4-5
BRAKE	B12 ,C1-2
BUMPER	C12 ,D1
CARBURETOR	A10
CARRIER	D6-7
CDI MAGNETO	D12 ,E1
CRANKCASE	B1
CRANKSHAFT PISTON	A3-4
CYLINDER HEAD CYLINDER	A2
DRUM BRAKE	C3-4
ELECTRICAL 1	E2-3
EXHAUST	A11-12
FRAME	B3
FRONT SUSPENSION WHEEL	B4-6
FUEL TANK	B10-11
GOVERNOR	C6
OIL PUMP	A6
OIL TANK	B9
PRIMARY SHEAVE	C7
PUMP DRIVE GEAR	A7
REAR AXLE WHEEL	C11
REAR SHOCKS	B2
SEAT	D8
SECONDARY SHEAVE	C8
STARTER GENERATOR	D9-10
STARTER PULLEY	D11
STEERING	B7-8
TRANSMISSION	C9-10

