

PARTS CATALOGUE

MODEL YEAR 2001 THRU 2004

UTILITY CAR

2001 G21AW (JR6)

2002 G21AX (JR6)

2003 G21AY (JR6)

2004 G21AZ (JR6)

STARTING FRAME: JR6-000101 and following
STARTING FRAME: JR6-100101 and following
STARTING FRAME: JR6-200101 and following
STARTING FRAME: JR6-300101 and following

OWNERS LIT-11626-11-00

ASSEMBLY LIT-11666-

SERVICE LIT-11616-

CONTENTS

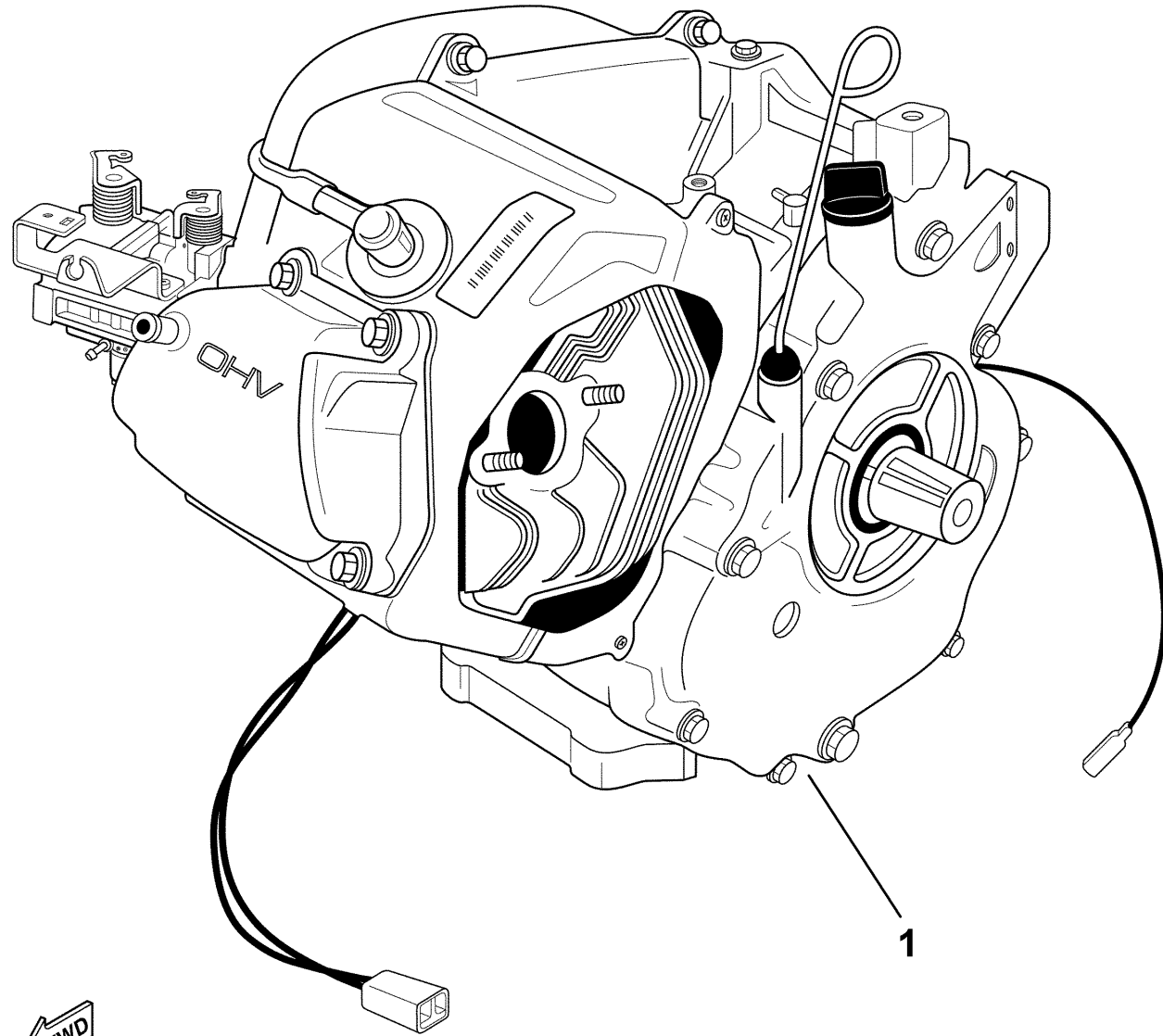
ACCELERATOR	B11
AIR SHROUD FAN	A6
BODY 1 FRONT	C9-10
BODY 2 REAR	C11-12
BODY FITTING	D1
BRAKE 1	B7-8
BRAKE 2	B9
BRAKE 3	B10
BUMPER	C8
CAMSHAFT VALVE	A5
CARBURETOR	A8
CARRIER	D2-3
CRANKCASE	A10
CRANKSHAFT PISTON	A4
CYLINDER HEAD	A3
ELECTRICAL 1	D7
ELECTRICAL 2	D8-9
ENGINE ASSEMBLY	A2
ENGINE MOUNT	A11
EXHAUST	A9
FRAME	B1
FRONT SUSPENSION WHEEL	B2-3
FUEL TANK	B6
GOVERNOR	B12
INTAKE	A7
PRIMARY CLUTCH	C1
REAR ARM SUSPENSION	A12
REAR AXLE MOUNT WHEEL	C6
SEAT	D4
SECONDARY SHEAVE	C2
SHIFTER CABLES	C7
STARTER GENERATOR	D5-6
STEERING	B4-5
TRANSMISSION	C3-5
-MODELS IN THIS CATALOG	D10

ENGINE ASSEMBLY

Ref. No.	Part Number	Description	Qty	Remarks
1	JR6-19001-00-00	ENGINE ASSEMBLY	1	

CONTENTS

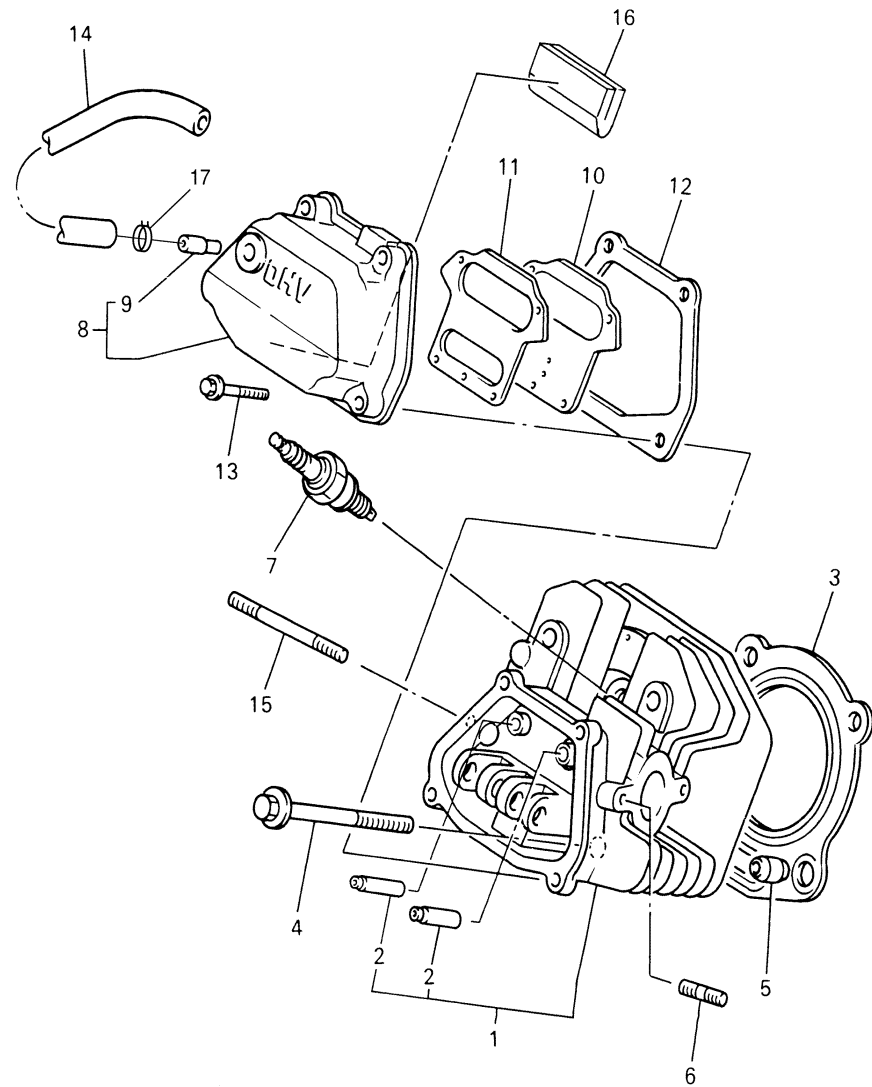
ACCELERATOR	B11
AIR SHROUD FAN	A6
BODY 1 FRONT	C9-10
BODY 2 REAR	C11-12
BODY FITTING	D1
BRAKE 1	B7-8
BRAKE 2	B9
BRAKE 3	B10
BUMPER	C8
CAMSHAFT VALVE	A5
CARBURETOR	A8
CARRIER	D2-3
CRANKCASE	A10
CRANKSHAFT PISTON	A4
CYLINDER HEAD	A3
ELECTRICAL 1	D7
ELECTRICAL 2	D8-9
ENGINE ASSEMBLY	A2
ENGINE MOUNT	A11
EXHAUST	A9
FRAME	B1
FRONT SUSPENSION WHEEL	B2-3
FUEL TANK	B6
GOVERNOR	B12
INTAKE	A7
PRIMARY CLUTCH	C1
REAR ARM SUSPENSION	A12
REAR AXLE MOUNT WHEEL	C6
SEAT	D4
SECONDARY SHEAVE	C2
SHIFTER CABLES	C7
STARTER GENERATOR	D5-6
STEERING	B4-5
TRANSMISSION	C3-5
~MODELS IN THIS CATALOG	D10



JR3100-0001

A2

CYLINDER HEAD



Ref. No.	Part Number	Description	Qty	Remarks
1	JT0-11111-00-00	HEAD, CYLINDER 1	1	JR7-200101~
	JR7-11111-01-00	HEAD, CYLINDER 1	1	~JR7-200100
2	JN6-11133-10-00	. GUIDE, VALVE 1	2	
3	JT0-11181-00-00	GASKET, CYLINDER HEAD 1 .	1	
4	95817-10070-00	BOLT, FLANGE	4	
5	99530-14016-00	PIN, DOWEL	2	
6	95617-08618-00	BOLT, STUD (95627-08618-00) .	2	
7	NGK-BPR4E-S0-00	PLUG, SPARK	1	AP, U.S.
	94702-00343-00	PLUG, SPARK	1	AP, EUROPE
	94702-00348-00	PLUG, SPARK	1	STD, EUROPE
	NGK-BPR2E-S0-00	PLUG, SPARK (NGK BPR2E) ..	1	STD, U.S.
8	JN6-11191-01-00	COVER, CYLINDER	1	
9	JN6-11116-00-00	. JOINT, BREATHER	1	
10	JN6-11168-00-00	COVER, BREATHER	1	
11	JN6-11169-00-00	GASKET, BREATHER	1	
12	JN6-11193-00-00	GASKET, HEAD COVER	1	
13	95817-06030-00	BOLT, FLANGE	4	
14	JN6-E1166-00-00	PIPE, BREATHER	1	
15	95617-08710-00	BOLT, STUD	2	
16	JR7-11163-00-00	ELEMENT	1	
17	90467-13847-00	CLAMP	2	

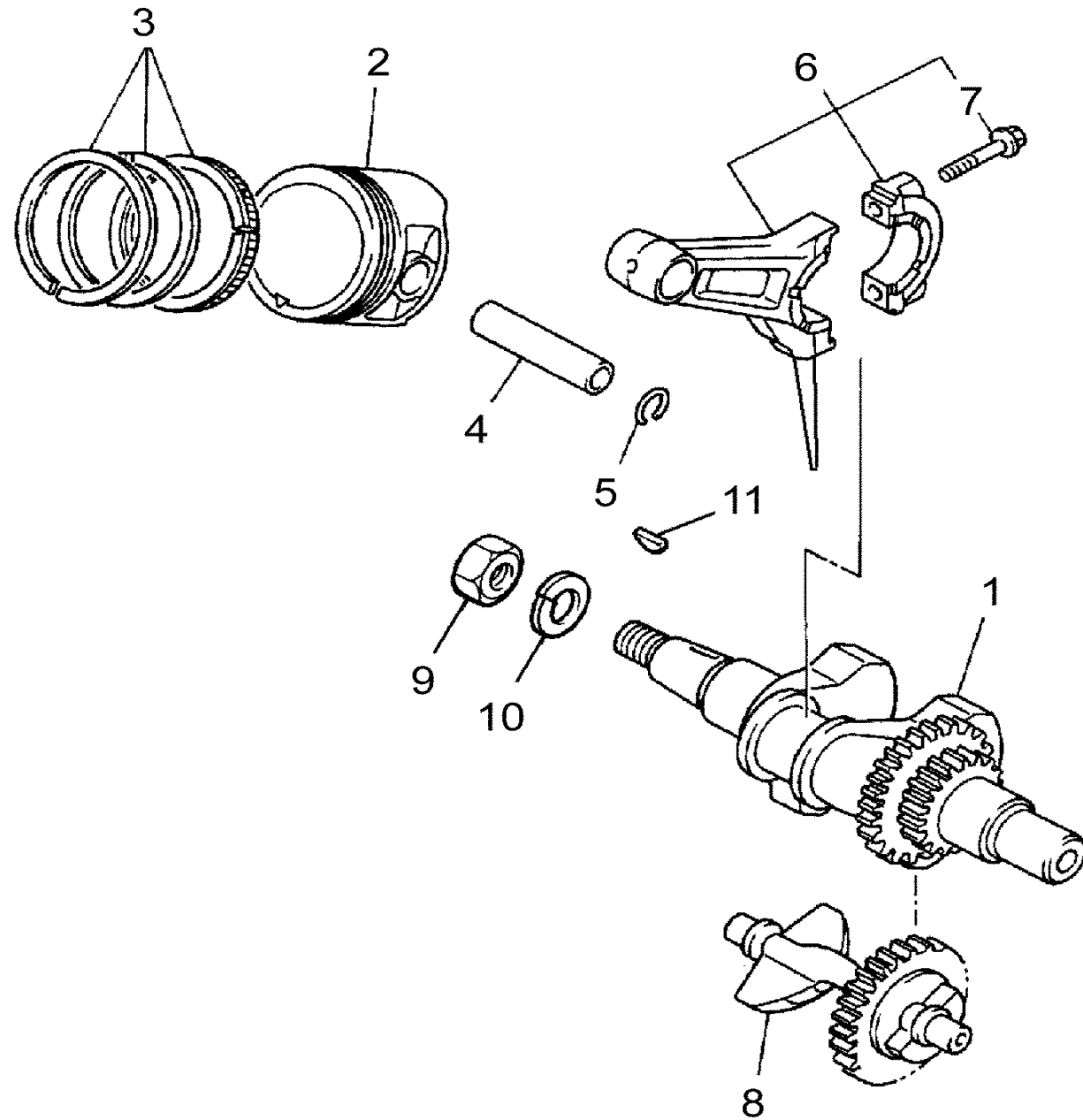
CONTENTS

ACCELERATOR	B11
AIR SHROUD FAN	A6
BODY 1 FRONT	C9-10
BODY 2 REAR	C11-12
BODY FITTING	D1
BRAKE 1	B7-8
BRAKE 2	B9
BRAKE 3	B10
BUMPER	C8
CAMSHAFT VALVE	A5
CARBURETOR	A8
CARRIER	D2-3
CRANKCASE	A10
CRANKSHAFT PISTON	A4
CYLINDER HEAD	A3
ELECTRICAL 1	D7
ELECTRICAL 2	D8-9
ENGINE ASSEMBLY	A2
ENGINE MOUNT	A11
EXHAUST	A9
FRAME	B1
FRONT SUSPENSION WHEEL	B2-3
FUEL TANK	B6
GOVERNOR	B12
INTAKE	A7
PRIMARY CLUTCH	C1
REAR ARM SUSPENSION	A12
REAR AXLE MOUNT WHEEL	C6
SEAT	D4
SECONDARY SHEAVE	C2
SHIFTER CABLES	C7
STARTER GENERATOR	D5-6
STEERING	B4-5
TRANSMISSION	C3-5
~MODELS IN THIS CATALOG	D10



JT01010-0011

CRANKSHAFT PISTON



Ref. No.	Part Number	Description	Qty	Remarks
1	JN6-11400-00-00	CRANKSHAFT ASSY	1	
2	JR7-11631-00-A0	PISTON (STD)	1	STD
	JR7-11635-00-00	PISTON (0.25MM O/S)	1	AP
	JR7-11636-00-00	PISTON (0.50MM O/S)	1	AP
3	JR7-11610-00-00	PISTON RING SET (STD)	1	STD
	JR7-11610-20-00	PISTON RING SET (0.50MM O/S)	1	AP
	JR7-11610-10-00	PISTON RING SET (0.25MM O/S)	1	AP
4	538-11633-00-00	PIN, PISTON	1	
5	93450-21053-00	CIRCLIP	2	
6	JN6-11650-00-00	CONNECTING ROD ASSY	1	
7	JN6-11654-00-00	. BOLT, CONNECTING ROD ..	2	
8	JN6-11454-00-00	WEIGHT 1	1	
9	95317-18600-00	NUT, HEX.	1	
10	90201-18620-00	WASHER, PLAIN	1	
11	90280-04052-00	KEY, WOODRUFF	1	

CONTENTS

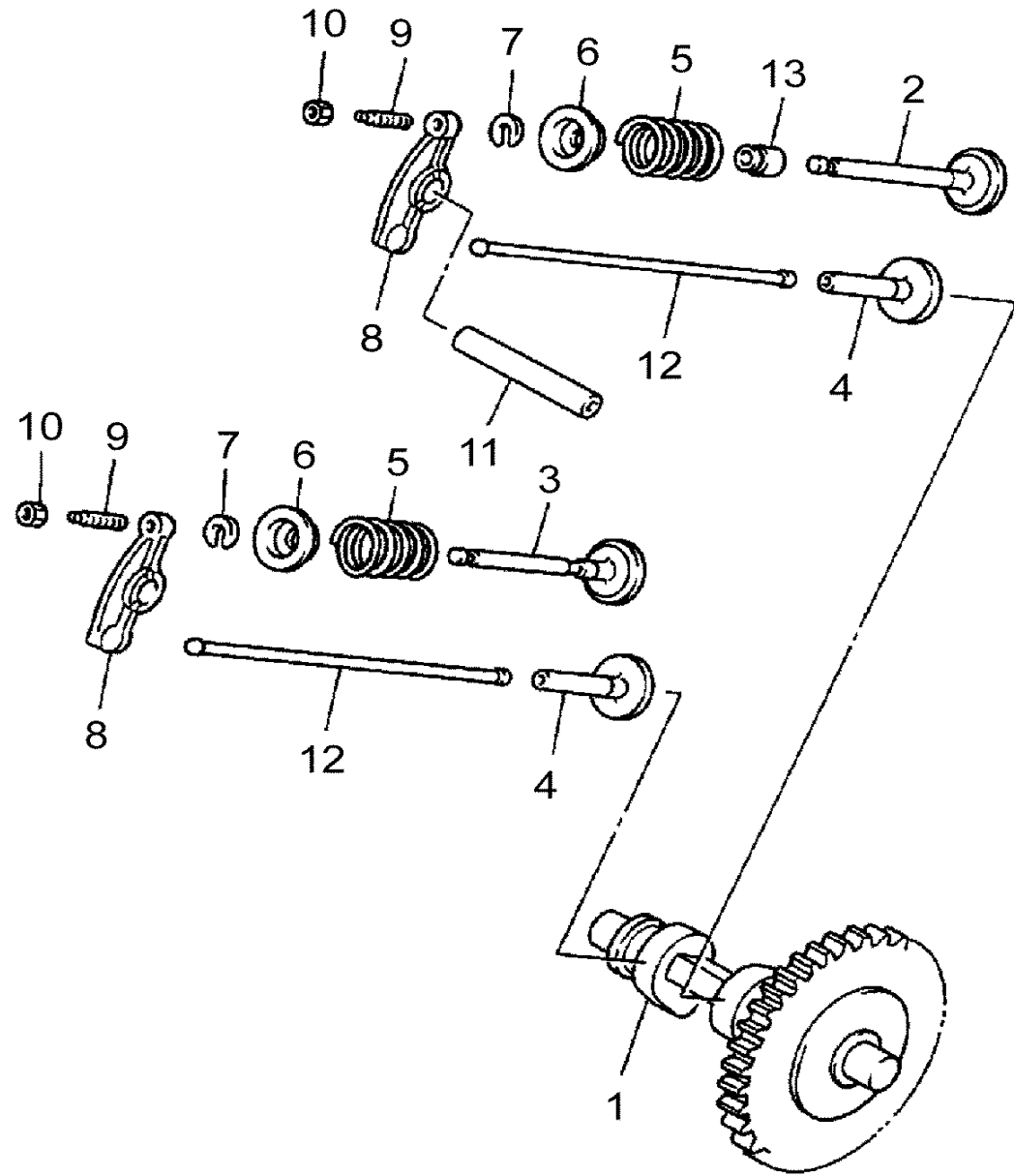
ACCELERATOR	B11
AIR SHROUD FAN	A6
BODY 1 FRONT	C9-10
BODY 2 REAR	C11-12
BODY FITTING	D1
BRAKE 1	B7-8
BRAKE 2	B9
BRAKE 3	B10
BUMPER	C8
CAMSHAFT VALVE	A5
CARBURETOR	A8
CARRIER	D2-3
CRANKCASE	A10
CRANKSHAFT PISTON	A4
CYLINDER HEAD	A3
ELECTRICAL 1	D7
ELECTRICAL 2	D8-9
ENGINE ASSEMBLY	A2
ENGINE MOUNT	A11
EXHAUST	A9
FRAME	B1
FRONT SUSPENSION WHEEL	B2-3
FUEL TANK	B6
GOVERNOR	B12
INTAKE	A7
PRIMARY CLUTCH	C1
REAR ARM SUSPENSION	A12
REAR AXLE MOUNT WHEEL	C6
SEAT	D4
SECONDARY SHEAVE	C2
SHIFTER CABLES	C7
STARTER GENERATOR	D5-6
STEERING	B4-5
TRANSMISSION	C3-5
-MODELS IN THIS CATALOG	D10



JN7010-6020

CAMSHAFT VALVE

Ref. No.	Part Number	Description	Qty	Remarks
1	JR7-12170-00-00	CAMSHAFT ASSY 1	1	
2	JN6-1211-01-00	VALVE, INTAKE	1	
3	7RH-12121-00-00	VALVE, EXHAUST	1	
4	JN6-12153-00-00	LIFTER, VALVE	2	
5	90501-264A9-00	SPRING, COMPRESSION	2	
6	J38-12117-01-00	RETAINER, VALVE SPRING	2	
7	J38-12118-00-00	COTTER, VALVE	2	
8	JN6-12151-00-00	ARM, VALVE ROCKER	2	
9	22F-12159-00-00	SCREW, VALVE	2	
10	90170-05302-00	NUT, HEX	2	
11	J38-12156-00-00	SHAFT, ROCKER 2	1	
12	JR7-12154-01-00	ROD, VALVE PUSH	2	
13	5H0-12119-00-00	SEAL, VALVE STEM	1	



CONTENTS

ACCELERATOR	B11
AIR SHROUD FAN	A6
BODY 1 FRONT	C9-10
BODY 2 REAR	C11-12
BODY FITTING	D1
BRAKE 1	B7-8
BRAKE 2	B9
BRAKE 3	B10
BUMPER	C8
CAMSHAFT VALVE	A5
CARBURETOR	A8
CARRIER	D2-3
CRANKCASE	A10
CRANKSHAFT PISTON	A4
CYLINDER HEAD	A3
ELECTRICAL 1	D7
ELECTRICAL 2	D8-9
ENGINE ASSEMBLY	A2
ENGINE MOUNT	A11
EXHAUST	A9
FRAME	B1
FRONT SUSPENSION WHEEL	B2-3
FUEL TANK	B6
GOVERNOR	B12
INTAKE	A7
PRIMARY CLUTCH	C1
REAR ARM SUSPENSION	A12
REAR AXLE MOUNT WHEEL	C6
SEAT	D4
SECONDARY SHEAVE	C2
SHIFTER CABLES	C7
STARTER GENERATOR	D5-6
STEERING	B4-5
TRANSMISSION	C3-5
-MODELS IN THIS CATALOG	D10

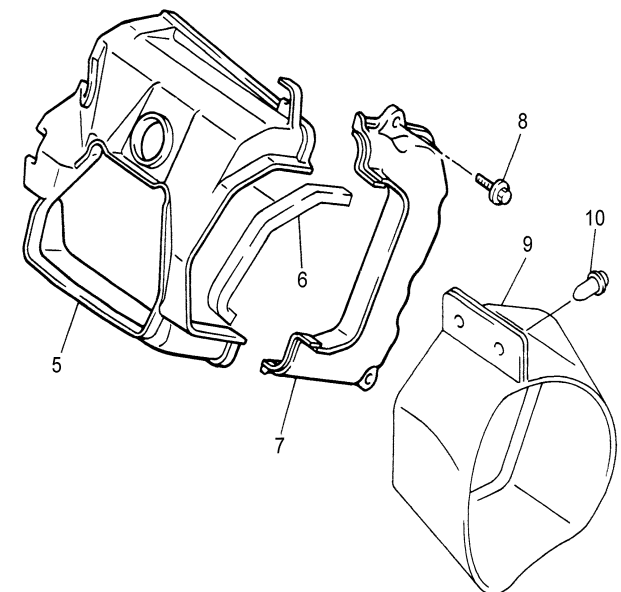
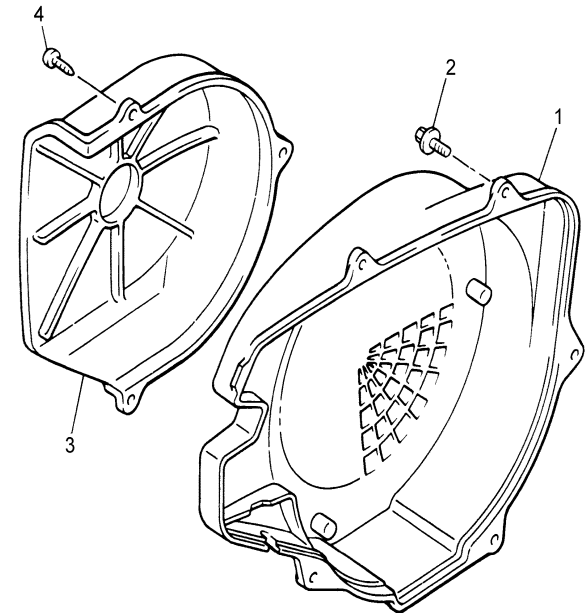


JN7010-6030

A5

AIR SHROUD FAN

Ref. No.	Part Number	Description	Qty	Remarks
1	JN6-12621-00-00	CASE, FAN 1	1	
2	95817-06020-00	BOLT, FLANGE	5	
3	JN6-12616-00-00	COVER, FAN CASE	1	
4	97707-60520-00	SCREW, TAPPING	3	
5	JN6-12651-00-00	AIR SHROUD, CYLINDER 1 ...	1	
6	JR7-12658-00-00	DAMPER, AIR SHROUD 1	1	
7	JN6-12652-00-00	AIR SHROUD, CYLINDER 2 ...	1	
8	95817-06020-00	BOLT, FLANGE	2	
9	JN6-E2691-00-00	DUCT, 1	1	
10	90269-08813-00	RIVET	2	



JU0100-5040

CONTENTS

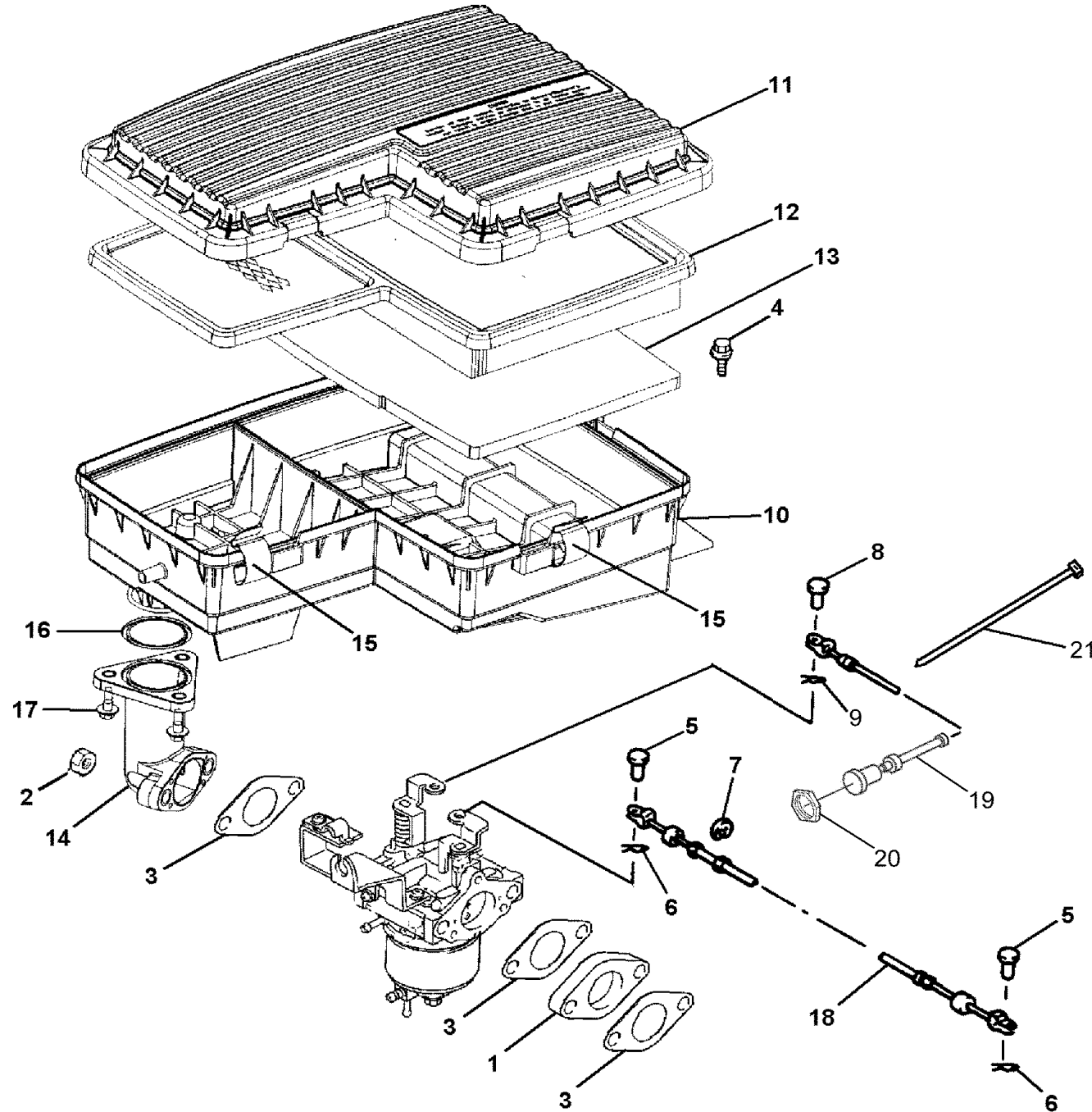
ACCELERATOR	B11
AIR SHROUD FAN	A6
BODY 1 FRONT	C9-10
BODY 2 REAR	C11-12
BODY FITTING	D1
BRAKE 1	B7-8
BRAKE 2	B9
BRAKE 3	B10
BUMPER	C8
CAMSHAFT VALVE	A5
CARBURETOR	A8
CARRIER	D2-3
CRANKCASE	A10
CRANKSHAFT PISTON	A4
CYLINDER HEAD	A3
ELECTRICAL 1	D7
ELECTRICAL 2	D8-9
ENGINE ASSEMBLY	A2
ENGINE MOUNT	A11
EXHAUST	A9
FRAME	B1
FRONT SUSPENSION WHEEL	B2-3
FUEL TANK	B6
GOVERNOR	B12
INTAKE	A7
PRIMARY CLUTCH	C1
REAR ARM SUSPENSION	A12
REAR AXLE MOUNT WHEEL	C6
SEAT	D4
SECONDARY SHEAVE	C2
SHIFTER CABLES	C7
STARTER GENERATOR	D5-6
STEERING	B4-5
TRANSMISSION	C3-5
-MODELS IN THIS CATALOG	D10

INTAKE

Ref. No.	Part Number	Description	Qty	Remarks
1	JN6-13595-00-00	JOINT	1	
2	90179-08491-00	NUT, FLANGE	2	
3	JN6-13567-00-00	GASKET	3	
4	90119-06838-00	BOLT, WITH WASHER	2	
5	91790-05010-00	PIN, CYLINDER HEAD	2	
6	90468-10050-00	CLIP	2	
7	99080-07600-00	CIRCLIP (E)	1	
8	91790-05010-00	PIN, CYLINDER HEAD	1	
9	90468-10050-00	CLIP	1	
10	JN6-E4411-02-00	CASE, AIR FILTER	1	
11	JN6-E4412-01-00	CAP, CASE 1	1	
12	JN6-E4450-01-00	ELEMENT ASSY	1	
13	JN6-E445E-00-00	FILTER 1	1	
14	JN6-E3586-01-00	JOINT, CARBURETOR	1	
15	JN6-E4424-00-00	CLIP, CAP FITTING	5	
16	93210-398D6-00	O-RING	1	
17	90105-06862-00	BOLT, FLANGE	3	
18	JN6-F6312-01-00	WIRE, THROTTLE	1	
19	J55-F6331-11-00	WIRE, STARTER	1	
20	JN6-F6333-10-00	NUT	1	
21	90464-31827-00	CLAMP	1	

CONTENTS

ACCELERATOR	B11
AIR SHROUD FAN	A6
BODY 1 FRONT	C9-10
BODY 2 REAR	C11-12
BODY FITTING	D1
BRAKE 1	B7-8
BRAKE 2	B9
BRAKE 3	B10
BUMPER	C8
CAMSHAFT VALVE	A5
CARBURETOR	A8
CARRIER	D2-3
CRANKCASE	A10
CRANKSHAFT PISTON	A4
CYLINDER HEAD	A3
ELECTRICAL 1	D7
ELECTRICAL 2	D8-9
ENGINE ASSEMBLY	A2
ENGINE MOUNT	A11
EXHAUST	A9
FRAME	B1
FRONT SUSPENSION WHEEL	B2-3
FUEL TANK	B6
GOVERNOR	B12
INTAKE	A7
PRIMARY CLUTCH	C1
REAR ARM SUSPENSION	A12
REAR AXLE MOUNT WHEEL	C6
SEAT	D4
SECONDARY SHEAVE	C2
SHIFTER CABLES	C7
STARTER GENERATOR	D5-6
STEERING	B4-5
TRANSMISSION	C3-5
-MODELS IN THIS CATALOG	D10



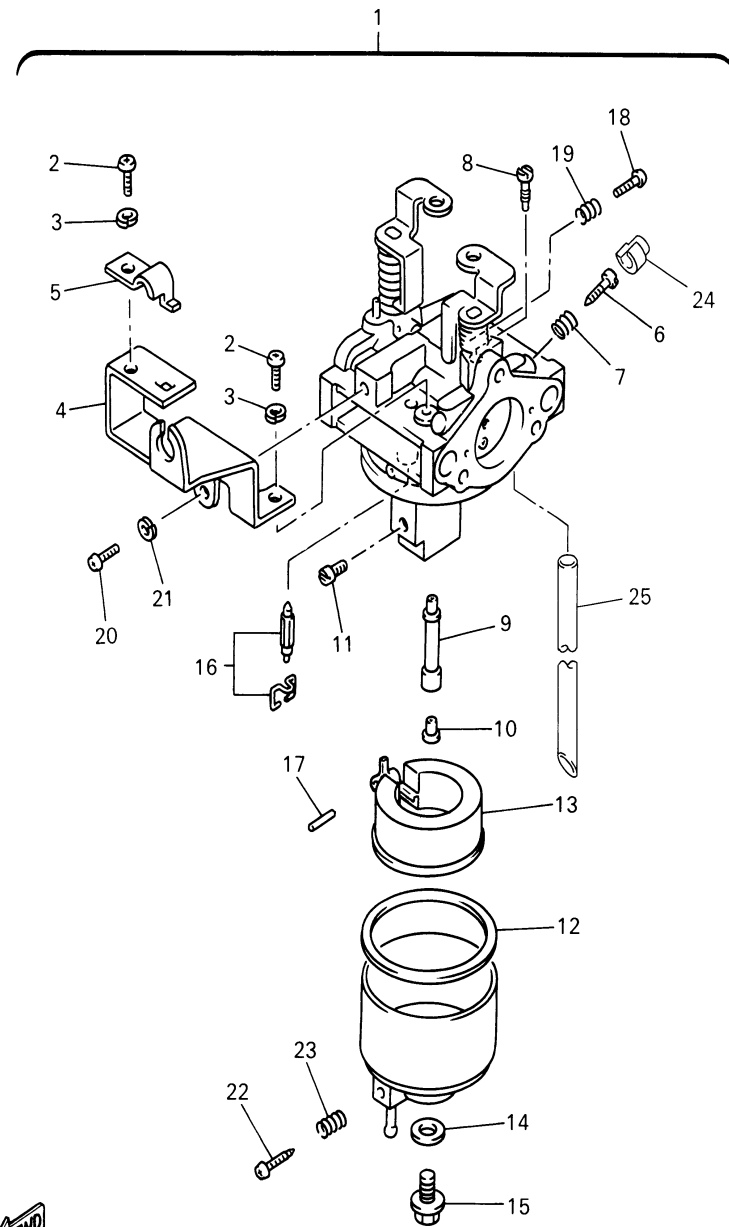
JR6100-5050

CARBURETOR

Ref. No.	Part Number	Description	Qty	Remarks
1	JR6-14101-00-00	CARBURETOR ASSY 1	1	
2	98507-05100-00	. SCREW, PAN HEAD	2	
3	92990-05100-00	. WASHER, LOCK	2	
4	JN6-14291-00-00	. BRACKET 1	1	
5	J10-14227-00-00	. WASHER	1	
6	7NJ-14211-00-00	. SCREW, PILOT ADJUSTING	1	
7	73A-14212-10-00	. SPRING	1	
8	732-14142-65-A0	. JET, PILOT (# 65)	1	
9	JN6-1495H-3B-00	. NOZZLE, MAIN	1	
10	73A-1414G-00-00	. PIPE, MAIN BLEED	1	
11	3G2-1423A-68-A0	. JET, MAIN (# 87.5)	1	
12	796-14184-00-00	. GASKET, FLOAT CHAMBER	1	
13	JN6-14185-00-00	. FLOAT	1	
14	127-14198-00-00	. GASKET	1	
15	7R1-14162-00-00	. BOLT, HOLDING	1	
16	JN5-14150-00-00	. NEEDLE ASSY	1	
17	22F-14186-00-00	. PIN, FLOAT	1	
18	1WG-14922-00-00	. SCREW, THROTTLE	1	
19	73A-14212-10-00	. SPRING	1	
20	98507-04010-00	. SCREW, PAN HEAD	1	
21	92903-04100-00	. WASHER	1	
22	7E1-14191-00-00	. PLUG, DRAIN	1	
23	73A-14212-00-00	. SCREW, PILOT ADJUSTING	1	
24	7LV-14118-00-00	. CAP	1	
25	1KT-14197-01-00	. VENT HOSE	1	

CONTENTS

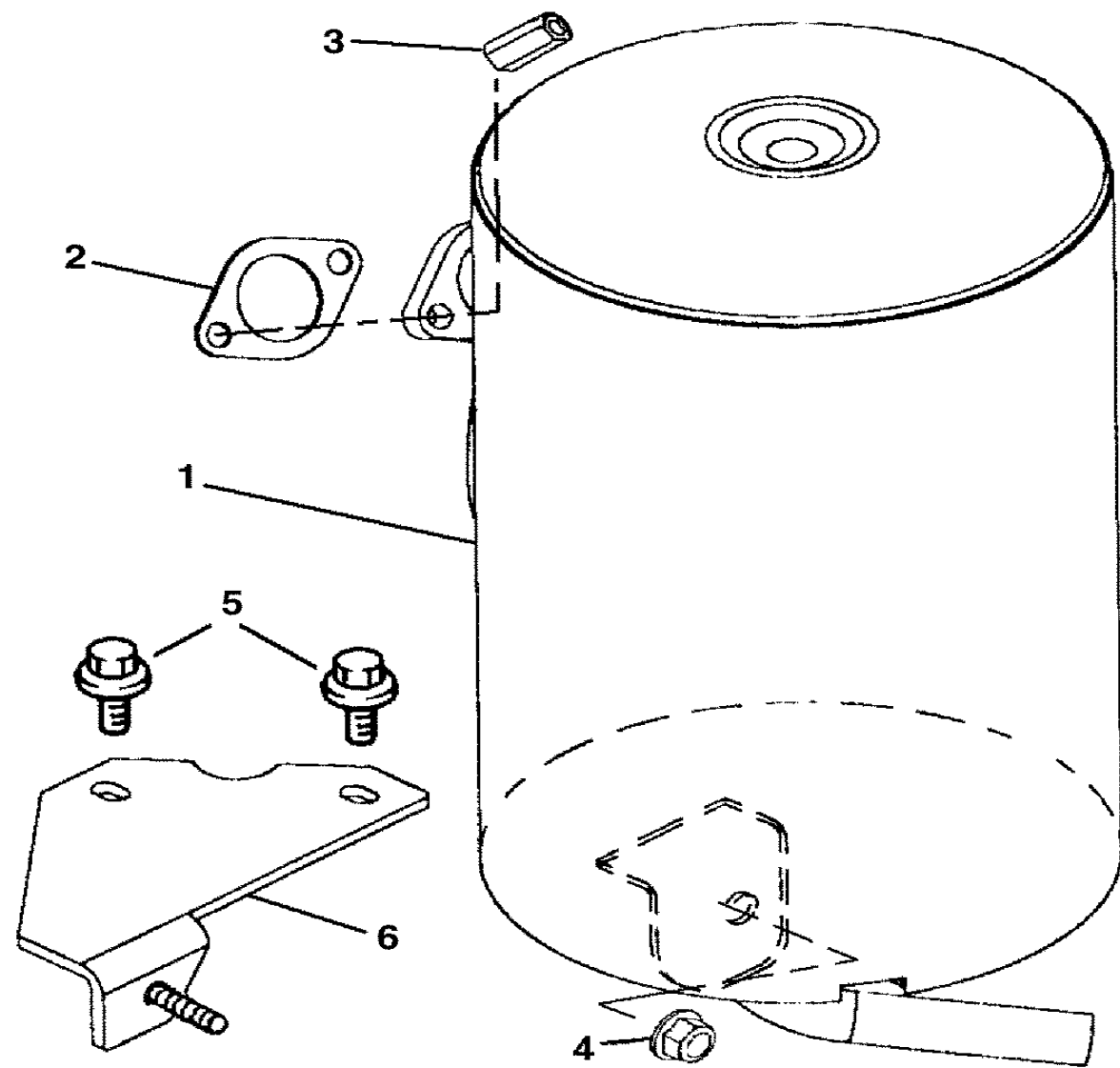
ACCELERATOR	B11
AIR SHROUD FAN	A6
BODY 1 FRONT	C9-10
BODY 2 REAR	C11-12
BODY FITTING	D1
BRAKE 1	B7-8
BRAKE 2	B9
BRAKE 3	B10
BUMPER	C8
CAMSHAFT VALVE	A5
CARBURETOR	A8
CARRIER	D2-3
CRANKCASE	A10
CRANKSHAFT PISTON	A4
CYLINDER HEAD	A3
ELECTRICAL 1	D7
ELECTRICAL 2	D8-9
ENGINE ASSEMBLY	A2
ENGINE MOUNT	A11
EXHAUST	A9
FRAME	B1
FRONT SUSPENSION WHEEL	B2-3
FUEL TANK	B6
GOVERNOR	B12
INTAKE	A7
PRIMARY CLUTCH	C1
REAR ARM SUSPENSION	A12
REAR AXLE MOUNT WHEEL	C6
SEAT	D4
SECONDARY SHEAVE	C2
SHIFTER CABLES	C7
STARTER GENERATOR	D5-6
STEERING	B4-5
TRANSMISSION	C3-5
~MODELS IN THIS CATALOG	D10



JR61100-1060

EXHAUST

Ref. No.	Part Number	Description	Qty	Remarks
1	JN6-E4710-00-00	MUFFLER ASSEMBLY	1	
2	7KY-14613-01-00	GASKET, EXHAUST 1	1	
3	90179-08879-00	NUT	2	
4	90185-08841-00	NUT, U-FLANGE	1	
5	90119-08825-00	BOLT, HEX HEAD WITH WASHER	2	
6	JN6-F1435-10-00	BRACKET, MUFFLER	1	



FWD
JN6100-6021

CONTENTS

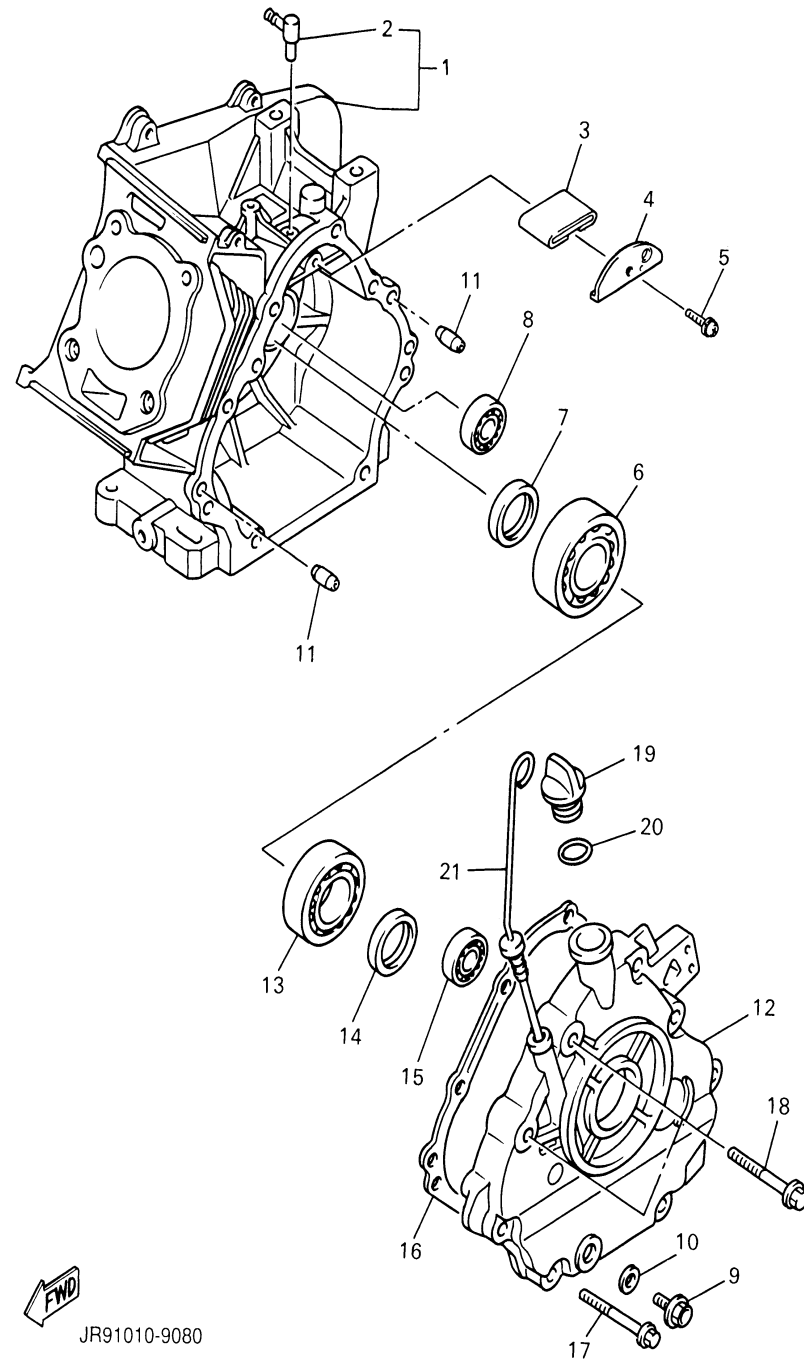
ACCELERATOR	B11
AIR SHROUD FAN	A6
BODY 1 FRONT	C9-10
BODY 2 REAR	C11-12
BODY FITTING	D1
BRAKE 1	B7-8
BRAKE 2	B9
BRAKE 3	B10
BUMPER	C8
CAMSHAFT VALVE	A5
CARBURETOR	A8
CARRIER	D2-3
CRANKCASE	A10
CRANKSHAFT PISTON	A4
CYLINDER HEAD	A3
ELECTRICAL 1	D7
ELECTRICAL 2	D8-9
ENGINE ASSEMBLY	A2
ENGINE MOUNT	A11
EXHAUST	A9
FRAME	B1
FRONT SUSPENSION WHEEL	B2-3
FUEL TANK	B6
GOVERNOR	B12
INTAKE	A7
PRIMARY CLUTCH	C1
REAR ARM SUSPENSION	A12
REAR AXLE MOUNT WHEEL	C6
SEAT	D4
SECONDARY SHEAVE	C2
SHIFTER CABLES	C7
STARTER GENERATOR	D5-6
STEERING	B4-5
TRANSMISSION	C3-5
-MODELS IN THIS CATALOG	D10

CRANKCASE

Ref. No.	Part Number	Description	Qty	Remarks
1	JR7-15100-00-00	CRANKCASE ASSY	1	
2	JN6-15155-00-00	. NOZZLE 3	1	
3	JR7-15407-00-00	ELEMENT 1	1	
4	JR7-15123-00-00	PLATE, BUFFLE 1	1	
5	90159-06107-00	SCREW, WITH WASHER	1	
6	93306-30709-00	BEARING	1	
7	93102-35191-00	OIL SEAL	1	
8	93306-20211-00	BEARING	1	
9	90340-12097-00	PLUG, STRAIGHT SCREW	1	
10	812-11198-00-00	GASKET	1	
11	91808-16023-00	.PIN, DOWEL	2	
12	JN6-15411-00-00	COVER, CRANKCASE 1	1	
13	93306-20716-00	BEARING	1	
14	93102-35191-00	OIL SEAL	1	
15	93306-20211-00	BEARING	1	
16	JN6-15451-02-00	GASKET, CRANKCASE COVER 1	1	
17	95817-08045-00	BOLT, FLANGE	6	
18	95817-10050-00	BOLT, FLANGE	2	
19	7EN-51118-00-00	PLUG, OIL	1	
20	93210-22344-00	O-RING	1	
21	J38-15361-00-00	GAUGE, LEVEL	1	

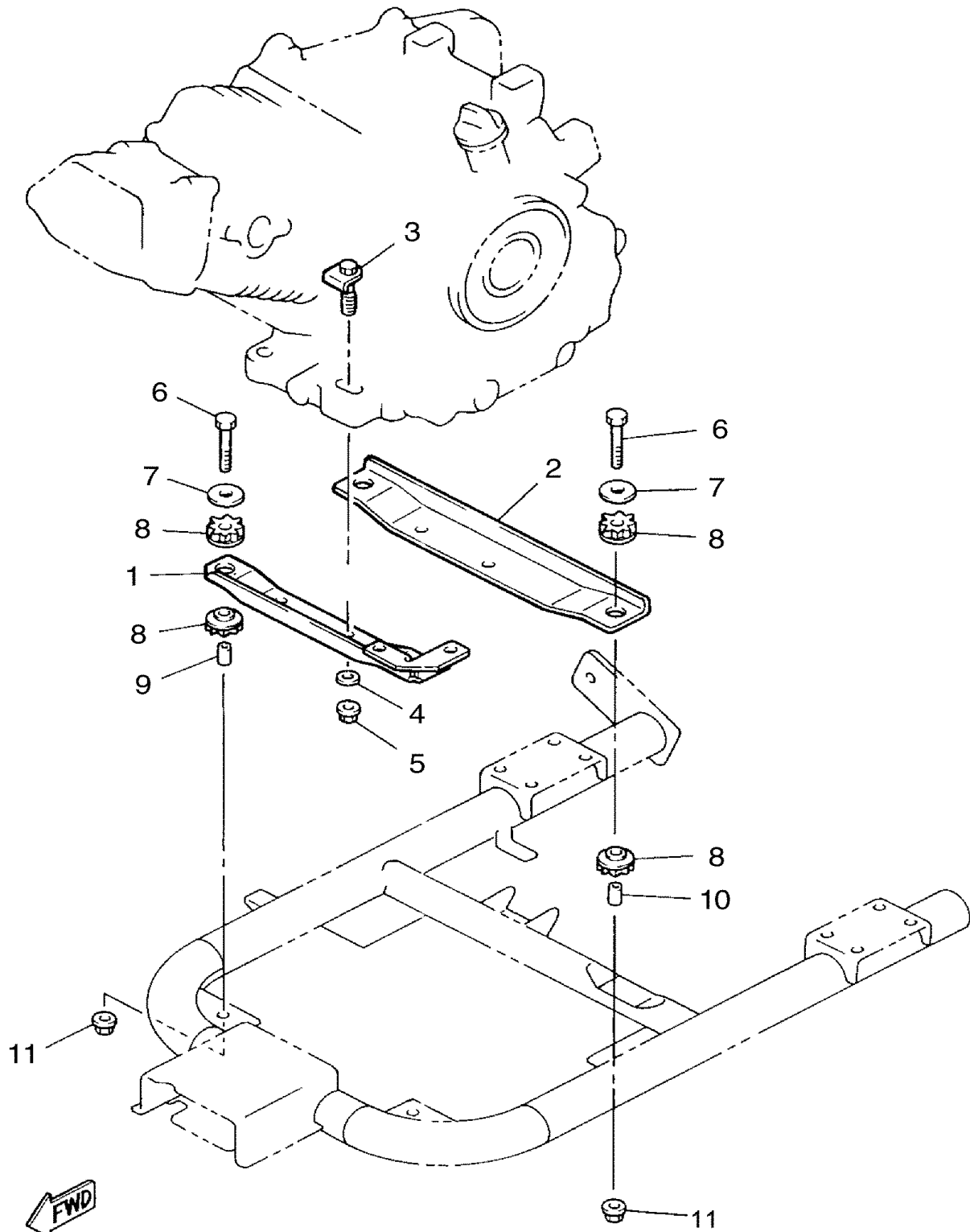
CONTENTS

ACCELERATOR	B11
AIR SHROUD FAN	A6
BODY 1 FRONT	C9-10
BODY 2 REAR	C11-12
BODY FITTING	D1
BRAKE 1	B7-8
BRAKE 2	B9
BRAKE 3	B10
BUMPER	C8
CAMSHAFT VALVE	A5
CARBURETOR	A8
CARRIER	D2-3
CRANKCASE	A10
CRANKSHAFT PISTON	A4
CYLINDER HEAD	A3
ELECTRICAL 1	D7
ELECTRICAL 2	D8-9
ENGINE ASSEMBLY	A2
ENGINE MOUNT	A11
EXHAUST	A9
FRAME	B1
FRONT SUSPENSION WHEEL	B2-3
FUEL TANK	B6
GOVERNOR	B12
INTAKE	A7
PRIMARY CLUTCH	C1
REAR ARM SUSPENSION	A12
REAR AXLE MOUNT WHEEL	C6
SEAT	D4
SECONDARY SHEAVE	C2
SHIFTER CABLES	C7
STARTER GENERATOR	D5-6
STEERING	B4-5
TRANSMISSION	C3-5
-MODELS IN THIS CATALOG	D10



JR91010-9080

ENGINE MOUNT

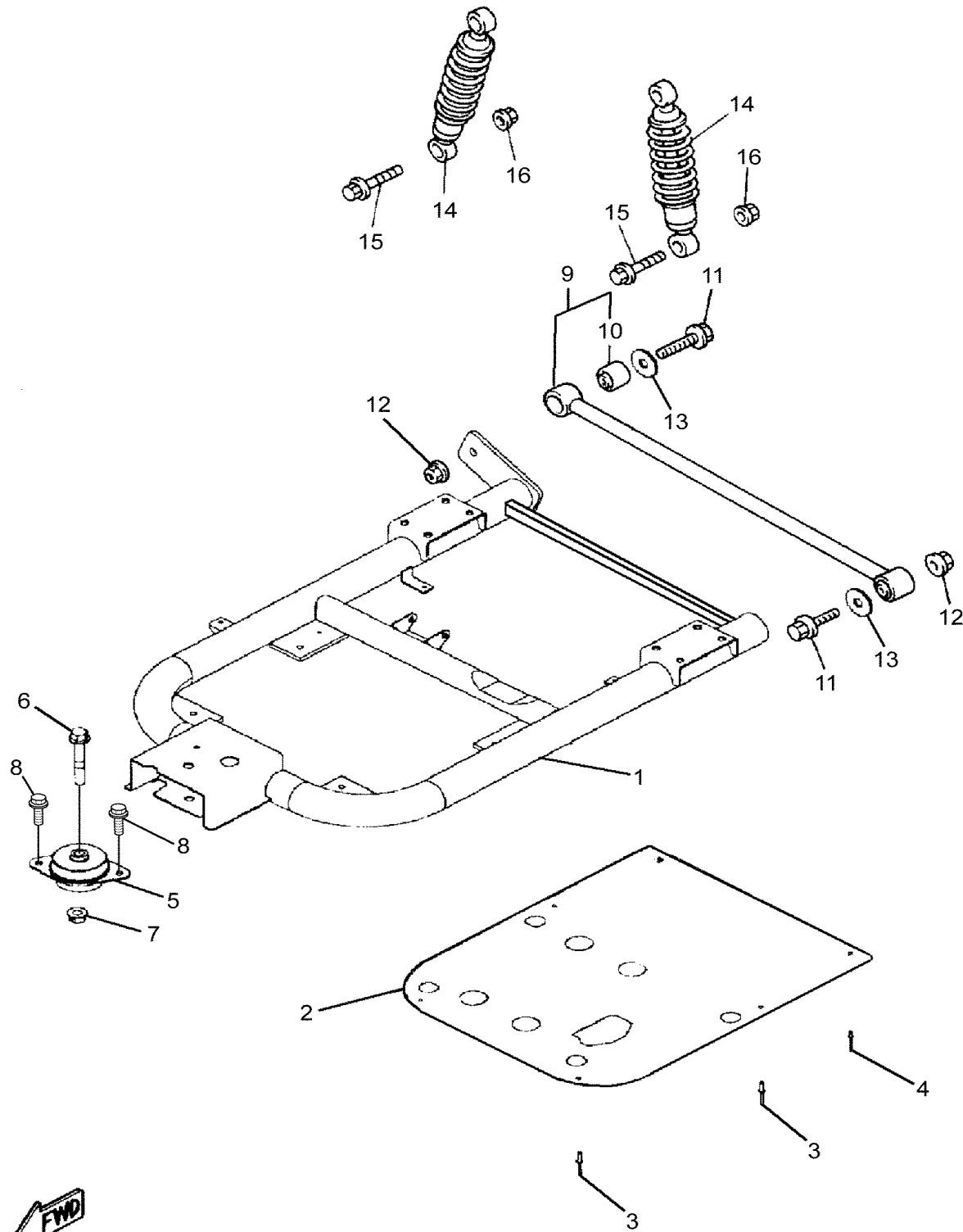


Ref. No.	Part Number	Description	Qty	Remarks
1	JN6-F1411-00-00	BRACKET, ENGINE 1	1	
2	JN6-F1419-02-00	BRACKET, ENGINE 2	1	
3	JN6-F1481-00-00	BOLT, ENGINE	4	
4	92907-10200-00	WASHER, PLAIN	4	
5	95607-10200-00	NUT, U FLANGE	4	
6	90101-08870-00	BOLT, HEX	4	
7	90201-088K6-00	WASHER, PLAIN	4	
8	JN6-F1486-00-00	DAMPER, 2	8	
9	JN6-F1459-00-00	SPACER	2	
10	JN6-F1459-10-00	SPACER	2	
11	90185-08169-00	NUT, U-FLANGE	4	

CONTENTS

ACCELERATOR	B11
AIR SHROUD FAN	A6
BODY 1 FRONT	C9-10
BODY 2 REAR	C11-12
BODY FITTING	D1
BRAKE 1	B7-8
BRAKE 2	B9
BRAKE 3	B10
BUMPER	C8
CAMSHAFT VALVE	A5
CARBURETOR	A8
CARRIER	D2-3
CRANKCASE	A10
CRANKSHAFT PISTON	A4
CYLINDER HEAD	A3
ELECTRICAL 1	D7
ELECTRICAL 2	D8-9
ENGINE ASSEMBLY	A2
ENGINE MOUNT	A11
EXHAUST	A9
FRAME	B1
FRONT SUSPENSION WHEEL	B2-3
FUEL TANK	B6
GOVERNOR	B12
INTAKE	A7
PRIMARY CLUTCH	C1
REAR ARM SUSPENSION	A12
REAR AXLE MOUNT WHEEL	C6
SEAT	D4
SECONDARY SHEAVE	C2
SHIFTER CABLES	C7
STARTER GENERATOR	D5-6
STEERING	B4-5
TRANSMISSION	C3-5
-MODELS IN THIS CATALOG	D10

REAR ARM SUSPENSION

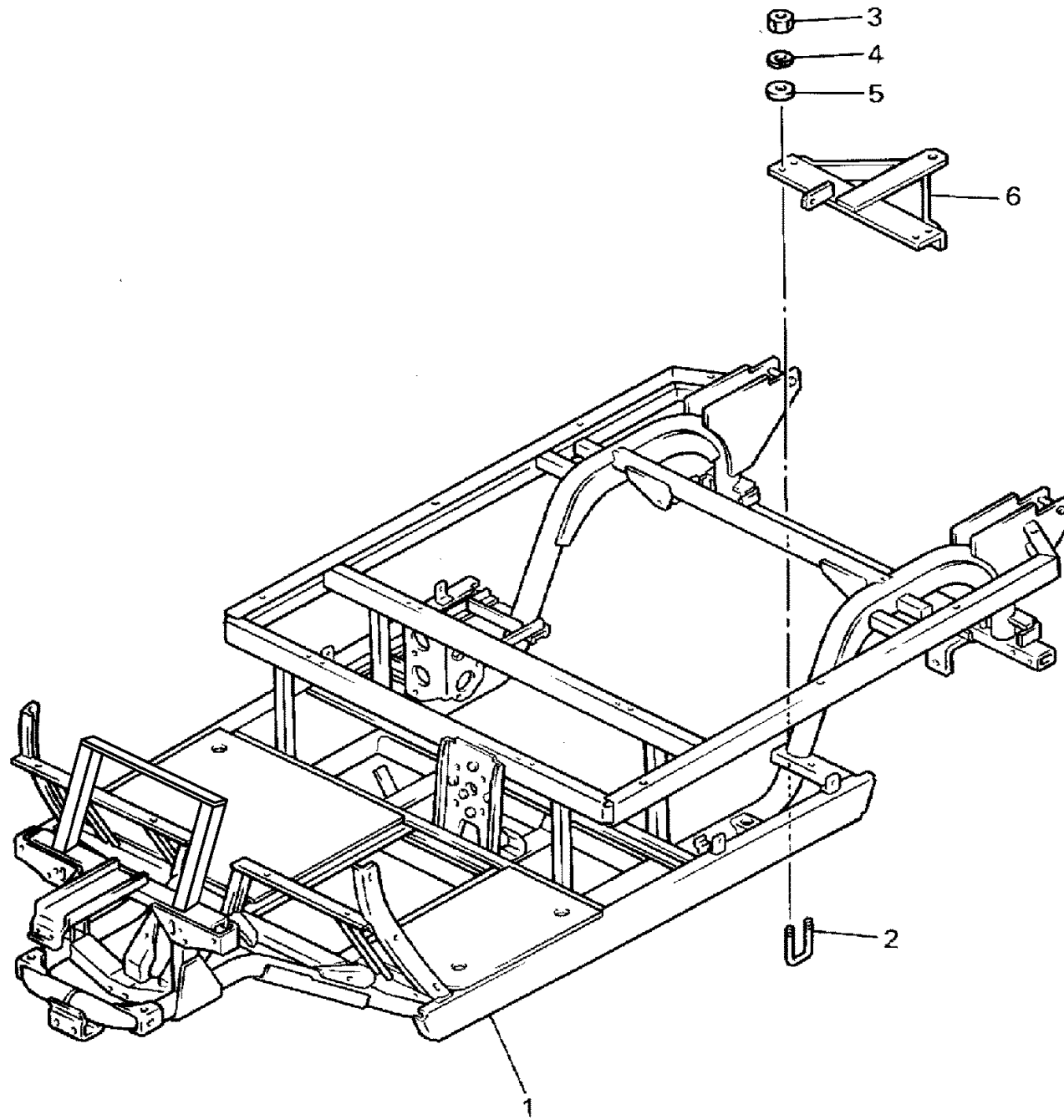


Ref. No.	Part Number	Description	Qty	Remarks
1	JN6-F2110-01-00	REAR ARM COMP.	1	
2	JN6-F2128-01-00	COVER, 1	1	
3	90267-48850-00	RIVET, BLIND	4	
4	90267-40851-00	RIVET, BLIND	2	
5	JN6-F2123-01-00	BUSHING, 1	1	
6	90105-13864-00	BOLT, FLANGE	1	
7	90179-13878-00	NUT	1	
8	9751P-10620-00	BOLT, WITH WASHER	2	
9	JN6-F2172-00-00	ROD, CONNECTING	1	
10	JN6-F2124-00-00	BUSHING, 2	2	
11	95817-12065-00	BOLT, FLANGE	2	
12	95607-12200-00	NUT, U-FLANGE	2	
13	90201-12426-00	WASHER, PLAIN	2	
14	JR6-F2210-00-00	SHOCK ABSORBER	2	
15	95817-10055-00	BOLT, FLANGE	4	
16	95607-10200-00	NUT, U FLANGE	4	

CONTENTS

ACCELERATOR	B11
AIR SHROUD FAN	A6
BODY 1 FRONT	C9-10
BODY 2 REAR	C11-12
BODY FITTING	D1
BRAKE 1	B7-8
BRAKE 2	B9
BRAKE 3	B10
BUMPER	C8
CAMSHAFT VALVE	A5
CARBURETOR	A8
CARRIER	D2-3
CRANKCASE	A10
CRANKSHAFT PISTON	A4
CYLINDER HEAD	A3
ELECTRICAL 1	D7
ELECTRICAL 2	D8-9
ENGINE ASSEMBLY	A2
ENGINE MOUNT	A11
EXHAUST	A9
FRAME	B1
FRONT SUSPENSION WHEEL	B2-3
FUEL TANK	B6
GOVERNOR	B12
INTAKE	A7
PRIMARY CLUTCH	C1
REAR ARM SUSPENSION	A12
REAR AXLE MOUNT WHEEL	C6
SEAT	D4
SECONDARY SHEAVE	C2
SHIFTER CABLES	C7
STARTER GENERATOR	D5-6
STEERING	B4-5
TRANSMISSION	C3-5
-MODELS IN THIS CATALOG	D10

FRAME



Ref. No.	Part Number	Description	Qty	Remarks
1	JR6-F2501-01-00	FRAME COMP.	1	
2	90109-10862-00	BOLT	2	
3	90170-10847-00	NUT, HEX	4	
4	92907-10100-00	WASHER, SPRING	4	
5	92907-10200-00	WASHER, PLAIN	4	
6	JJ3-F722B-02-00	BAR, TOW	1	

CONTENTS

ACCELERATOR	B11
AIR SHROUD FAN	A6
BODY 1 FRONT	C9-10
BODY 2 REAR	C11-12
BODY FITTING	D1
BRAKE 1	B7-8
BRAKE 2	B9
BRAKE 3	B10
BUMPER	C8
CAMSHAFT VALVE	A5
CARBURETOR	A8
CARRIER	D2-3
CRANKCASE	A10
CRANKSHAFT PISTON	A4
CYLINDER HEAD	A3
ELECTRICAL 1	D7
ELECTRICAL 2	D8-9
ENGINE ASSEMBLY	A2
ENGINE MOUNT	A11
EXHAUST	A9
FRAME	B1
FRONT SUSPENSION WHEEL	B2-3
FUEL TANK	B6
GOVERNOR	B12
INTAKE	A7
PRIMARY CLUTCH	C1
REAR ARM SUSPENSION	A12
REAR AXLE MOUNT WHEEL	C6
SEAT	D4
SECONDARY SHEAVE	C2
SHIFTER CABLES	C7
STARTER GENERATOR	D5-6
STEERING	B4-5
TRANSMISSION	C3-5
-MODELS IN THIS CATALOG	D10



JR6110-6110

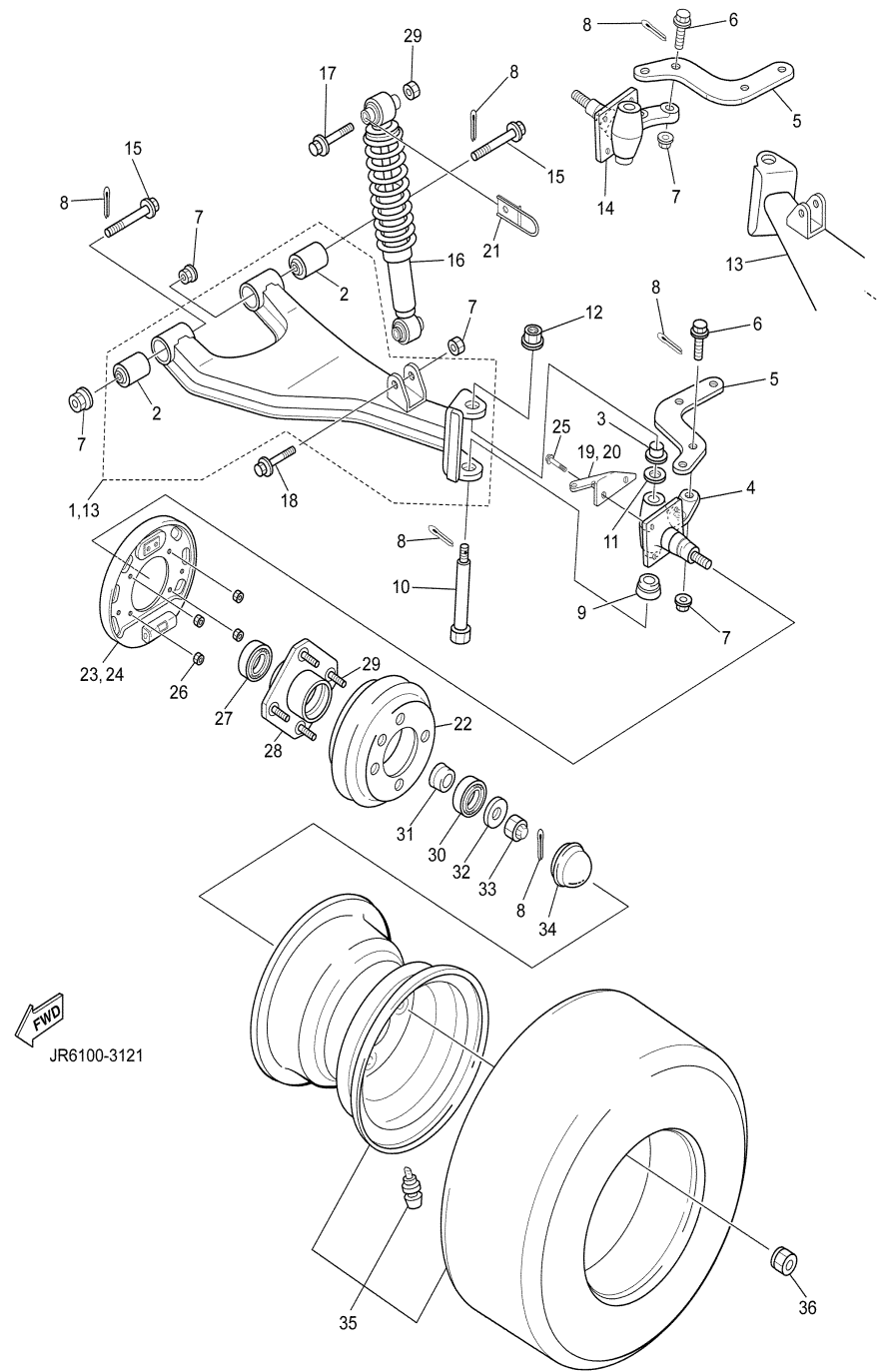
B1

FRONT SUSPENSION WHEEL

Ref. No.	Part Number	Description	Qty	Remarks
1	JR6-F3570-00-00	FRONT LOWER ARM. LEFT ..	1	
2	JN6-F3526-00-00	. BUSHING, ARM	4	
3	90384-15825-00	BUSH, BIMETAL	2	
4	JR6-F3501-00-00	STEERING, KNUCKLE ASSY., L.H.	1	
5	JN3-F3512-00-00	ARM, KNUCKLE	2	
6	90105-10895-00	BOLT, FLANGE	4	
7	95607-10200-00	NUT, U FLANGE	12	
8	91490-25020-00	PIN, COTTER	12	
9	J38-23527-00-00	SEAL, DUST	2	
10	JR6-F3516-00-00	PIN, STEERING KNUCKLE ...	2	SEE NOTE A
11	90201-156J2-00	WASHER, PLAIN	2	
12	9560P-10200-00	NUT, FLANGE	2	SEE NOTE A
13	JR6-F3580-00-00	FRONT LOWER ARM, RIGHT .	1	
14	JR6-F3502-00-00	KNUCKLE, STEERING RIGHT .	1	
15	90105-10894-00	BOLT, FLANGE	4	
16	JR6-F3350-00-00	SHOCK ABSORBER ASSY ...	2	
17	95817-10065-00	BOLT, FLANGE	2	
18	95817-10055-00	BOLT, FLANGE	2	
19	JR6-F7263-00-00	BRACKET 1, L.H.	1	
20	JR6-F7264-00-00	BRACKET 1, R.H.	1	
21	JR6-F1339-00-00	GUIDE, WIRE	2	
22	J55-G6521-10-00	DRUM	2	
23	JN6-F7290-03-00	BACKING PLATE, LEFT	1	SEE BRAKE 3 FOR PARTS
24	JN6-F7280-03-00	BACKING PLATE, (RH)	1	SEE BRAKE 2 FOR PARTS
25	9502P-08025-00	BOLT	8	
26	9560P-08200-00	NUT	8	
27	93306-005Y3-00	BEARING	2	
28	JR6-F5110-00-00	HUB ASSY, FRONT	2	

CONTENTS

ACCELERATOR	B11
AIR SHROUD FAN	A6
BODY 1 FRONT	C9-10
BODY 2 REAR	C11-12
BODY FITTING	D1
BRAKE 1	B7-8
BRAKE 2	B9
BRAKE 3	B10
BUMPER	C8
CAMSHAFT VALVE	A5
CARBURETOR	A8
CARRIER	D2-3
CRANKCASE	A10
CRANKSHAFT PISTON	A4
CYLINDER HEAD	A3
ELECTRICAL 1	D7
ELECTRICAL 2	D8-9
ENGINE ASSEMBLY	A2
ENGINE MOUNT	A11
EXHAUST	A9
FRAME	B1
FRONT SUSPENSION WHEEL	B2-3
FUEL TANK	B6
GOVERNOR	B12
INTAKE	A7
PRIMARY CLUTCH	C1
REAR ARM SUSPENSION	A12
REAR AXLE MOUNT WHEEL	C6
SEAT	D4
SECONDARY SHEAVE	C2
SHIFTER CABLES	C7
STARTER GENERATOR	D5-6
STEERING	B4-5
TRANSMISSION	C3-5
~MODELS IN THIS CATALOG	D10



NOTE A:
 The King Pin (ref. #10) was changed from 12mm (old P/N JJ3-F3516-16-00) to 10mm threads, (new P/N JR6-F3516-00-00), and the Flange Nut (ref. #12) was changed from 12mm (P/N 95607-12200-00) to 10mm (P/N 9560P-10200-00). To determine which parts you are working with, measure the thread diameter of your existing components. The old King Pin (P/N JJ3-F3516-00-00) is no longer available and has been superseded to JR6-F3516-00-00. Be sure to also order the new 10mm Flange Nut (ref. #12) to update older units.

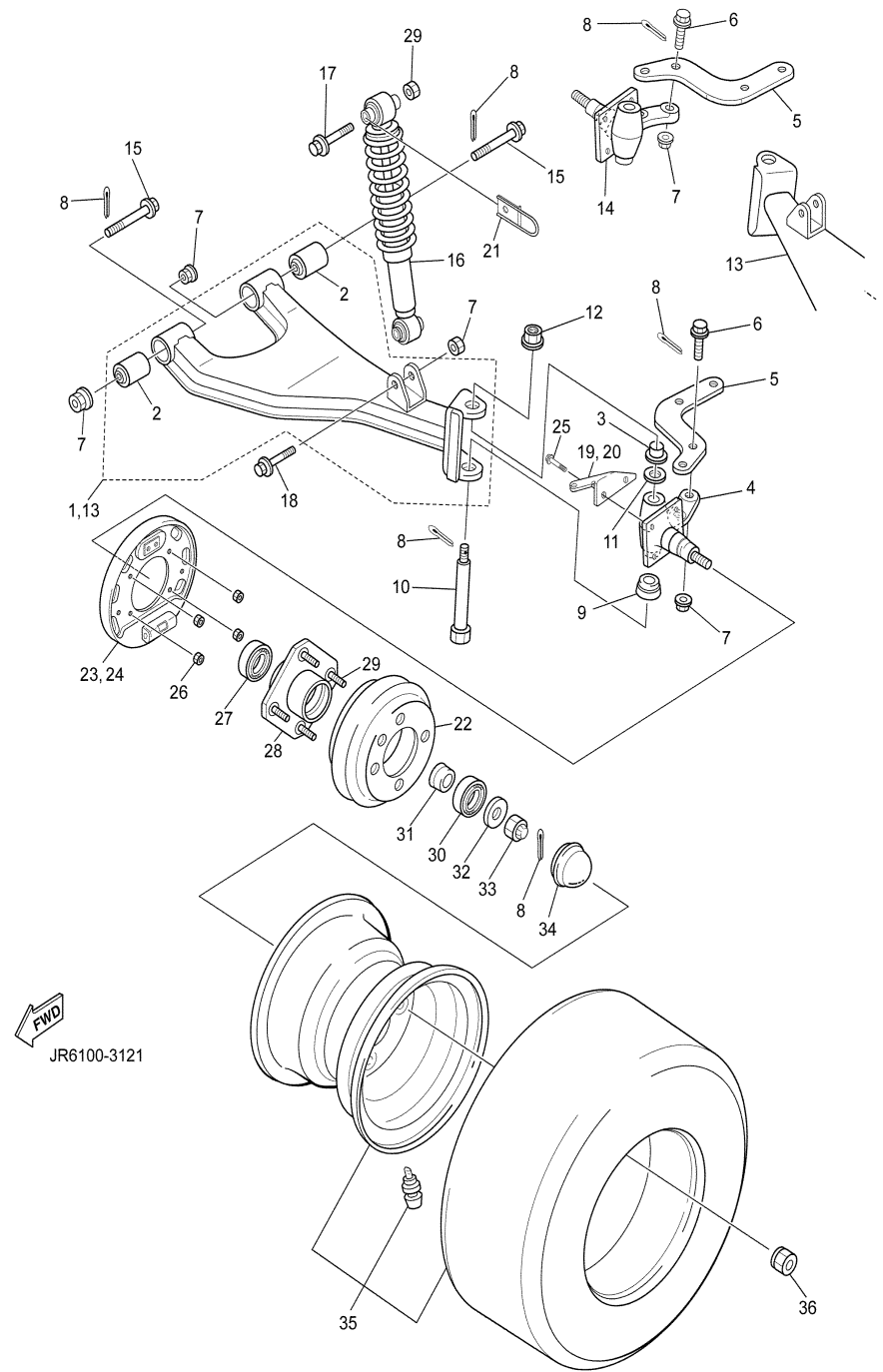
CONTINUED ON NEXT FRAME ►

FRONT SUSPENSION WHEEL

Ref. No.	Part Number	Description	Qty	Remarks
29	90114-12803-00	BOLT, KNURLED	8	
30	93306-204X0-00	BEARING	2	
31	90387-241M7-00	COLLAR	2	
32	90209-32832-00	WASHER	2	
33	95617-14100-00	NUT, U	2	
34	JN6-F5118-00-00	COVER, HUB DUST	2	
35	JN6-F5100-11-00	FRONT WHEEL ASSY, IVORY	2	
36	90179-12262-00	NUT	8	

CONTENTS

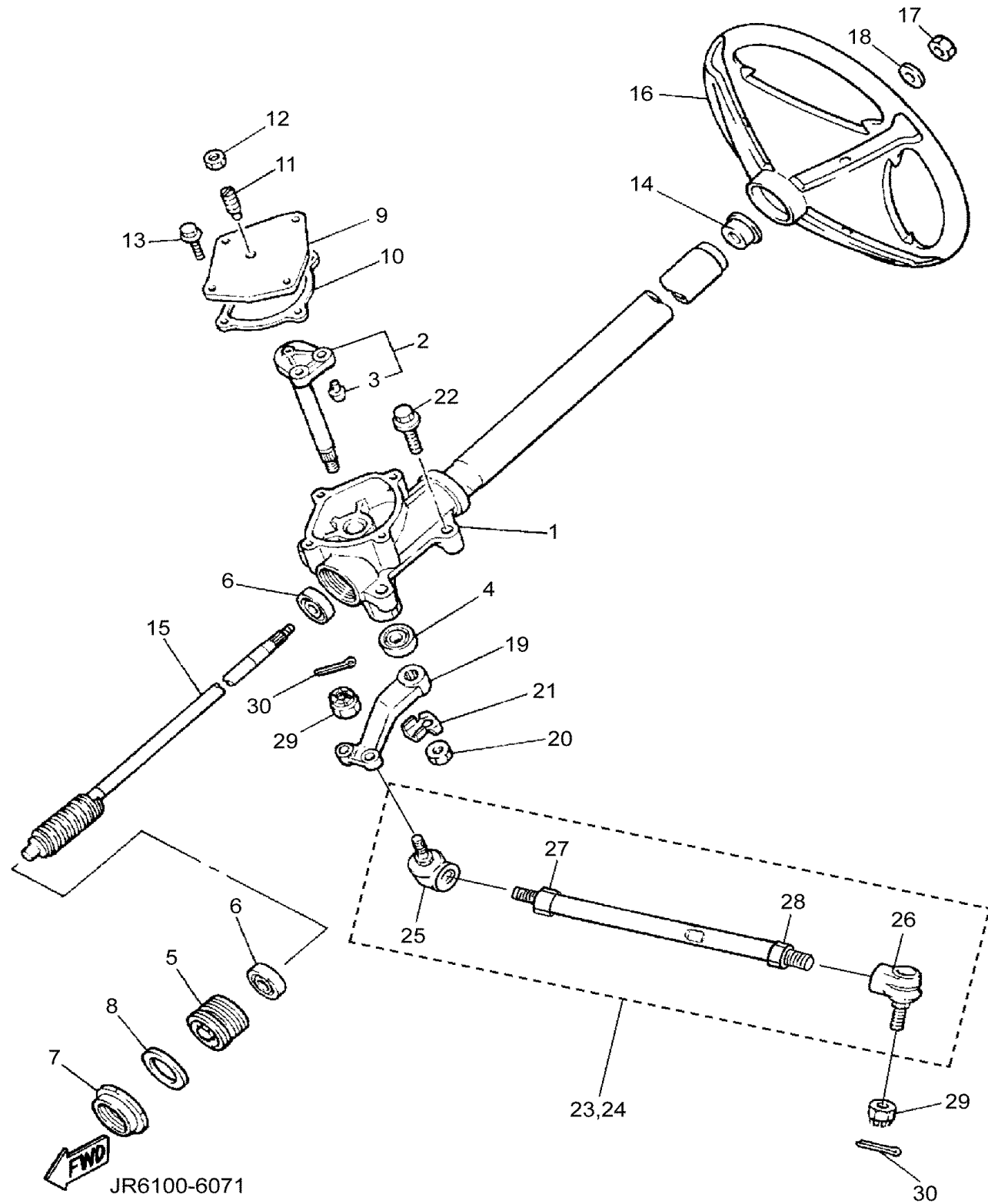
ACCELERATOR	B11
AIR SHROUD FAN	A6
BODY 1 FRONT	C9-10
BODY 2 REAR	C11-12
BODY FITTING	D1
BRAKE 1	B7-8
BRAKE 2	B9
BRAKE 3	B10
BUMPER	C8
CAMSHAFT VALVE	A5
CARBURETOR	A8
CARRIER	D2-3
CRANKCASE	A10
CRANKSHAFT PISTON	A4
CYLINDER HEAD	A3
ELECTRICAL 1	D7
ELECTRICAL 2	D8-9
ENGINE ASSEMBLY	A2
ENGINE MOUNT	A11
EXHAUST	A9
FRAME	B1
FRONT SUSPENSION WHEEL	B2-3
FUEL TANK	B6
GOVERNOR	B12
INTAKE	A7
PRIMARY CLUTCH	C1
REAR ARM SUSPENSION	A12
REAR AXLE MOUNT WHEEL	C6
SEAT	D4
SECONDARY SHEAVE	C2
SHIFTER CABLES	C7
STARTER GENERATOR	D5-6
STEERING	B4-5
TRANSMISSION	C3-5
~MODELS IN THIS CATALOG	D10



NOTE A:

The King Pin (ref. #10) was changed from 12mm (old P/N JJ3-F3516-16-00) to 10mm threads, (new P/N JR6-F3516-00-00), and the Flange Nut (ref. # 12) was changed from 12mm (P/N 95607-12200-00) to 10mm (P/N 9560P-10200-00). To determine which parts you are working with, measure the thread diameter of your existing components. The old King Pin (P/N JJ3-F3516-00-00) is no longer available and has been superseded to JR6-F3516-00-00. Be sure to also order the new 10mm Flange Nut (ref. #12) to update older units.

STEERING



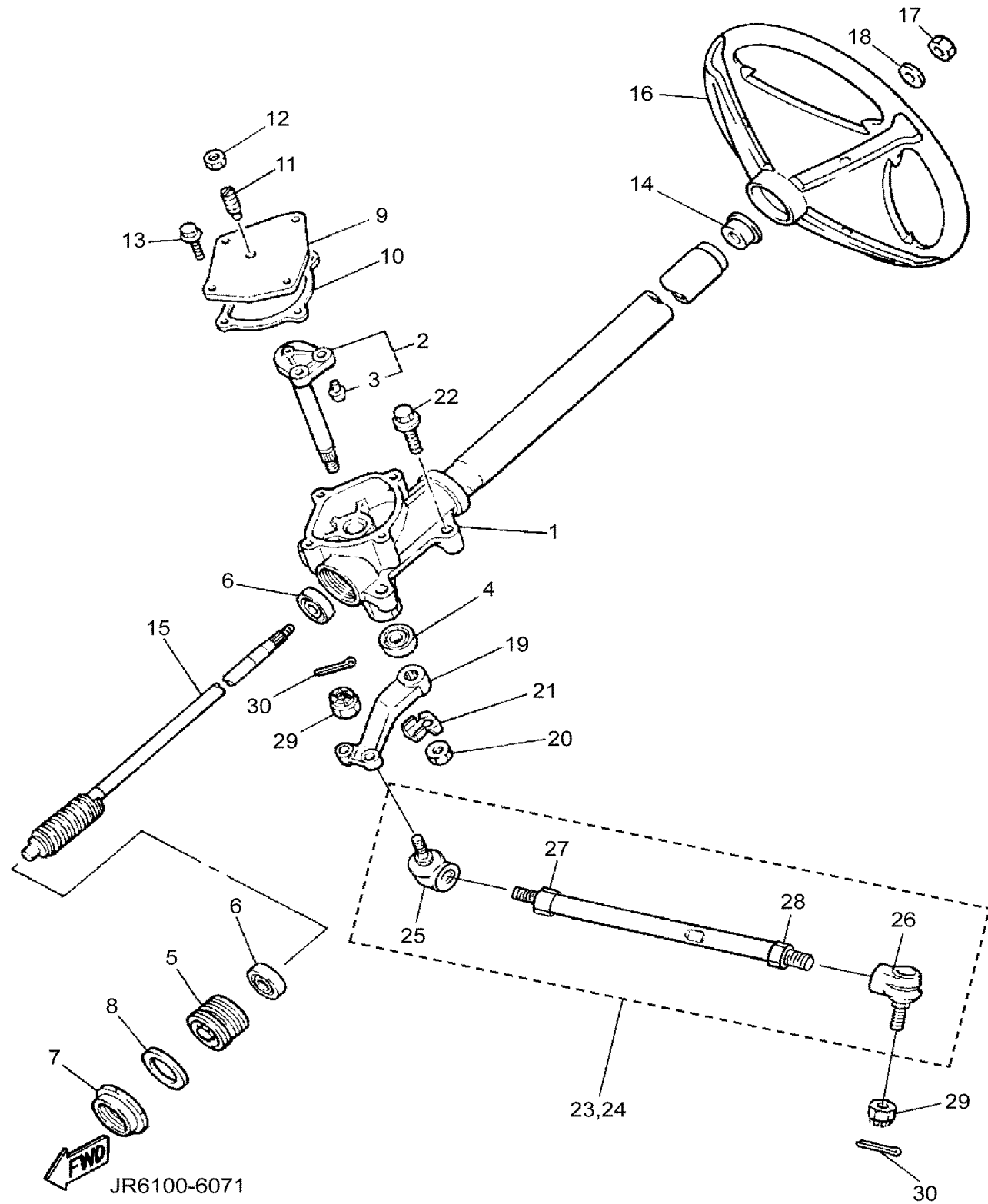
Ref. No.	Part Number	Description	Qty	Remarks
1	JG5-F3811-00-00	COLUMN, STEERING	1	
2	J38-23816-00-00	ARM, PITMAN	1	
3	J38-23836-00-00	. PIN, PITMAN	2	
4	93102-22314-00	SEAL, OIL	1	
5	J55-F3876-00-00	BOLT	1	
6	93332-000Y2-00	BEARING	2	
7	J10-23877-00-00	NUT	1	
8	J10-23444-00-00	WASHER	1	
9	JN3-F3818-00-00	COVER, STEERING	1	
10	J38-23462-01-00	SEAL, STEERING	1	
11	J10-F3459-00-00	BOLT	1	
12	90170-08024-00	NUT, HEX	1	
13	95817-06020-00	BOLT, FLANGE	4	
14	JN3-F3814-00-00	HOLDER, HANDLE	1	
15	J10-23840-00-00	STEERING SHAFT ASSEMBLY	1	
16	JN3-F3838-00-00	WHEEL, STEERING	1	
17	95617-12100-00	NUT, SELF-LOCKING	1	
18	92907-12200-00	WASHER, PLAIN	1	
19	J38-23826-01-00	ARM, IDLER	1	
20	95707-16300-00	NUT, NYLON	1	
21	90215-16814-00	WASHER, TONGUE	1	
22	90105-10880-00	BOLT, FLANGE	4	
23	JN6-F3850-11-00	TIE ROD ASSEMBLY, RIGHT ..	1	
24	JN6-F3830-11-00	TIE ROD ASSEMBLY, LEFT ...	1	
25	JN6-F3841-00-00	. UNIVERSAL, JOINT (RH THREAD)	2	
26	JN6-F3845-00-00	. UNIVERSAL, JOINT (LH THREAD)	2	
27	9530N-10600-00	. NUT	2	
28	90170-10414-00	. NUT (LH THREAD)	2	
29	95607-10200-00	NUT, U FLANGE	4	

CONTENTS

ACCELERATOR	B11
AIR SHROUD FAN	A6
BODY 1 FRONT	C9-10
BODY 2 REAR	C11-12
BODY FITTING	D1
BRAKE 1	B7-8
BRAKE 2	B9
BRAKE 3	B10
BUMPER	C8
CAMSHAFT VALVE	A5
CARBURETOR	A8
CARRIER	D2-3
CRANKCASE	A10
CRANKSHAFT PISTON	A4
CYLINDER HEAD	A3
ELECTRICAL 1	D7
ELECTRICAL 2	D8-9
ENGINE ASSEMBLY	A2
ENGINE MOUNT	A11
EXHAUST	A9
FRAME	B1
FRONT SUSPENSION WHEEL	B2-3
FUEL TANK	B6
GOVERNOR	B12
INTAKE	A7
PRIMARY CLUTCH	C1
REAR ARM SUSPENSION	A12
REAR AXLE MOUNT WHEEL	C6
SEAT	D4
SECONDARY SHEAVE	C2
SHIFTER CABLES	C7
STARTER GENERATOR	D5-6
STEERING	B4-5
TRANSMISSION	C3-5
-MODELS IN THIS CATALOG	D10

CONTINUED ON NEXT FRAME ►

STEERING



Ref. No.	Part Number	Description	Qty	Remarks
30	91401-25020-00	PIN, COTTER	4	

CONTENTS

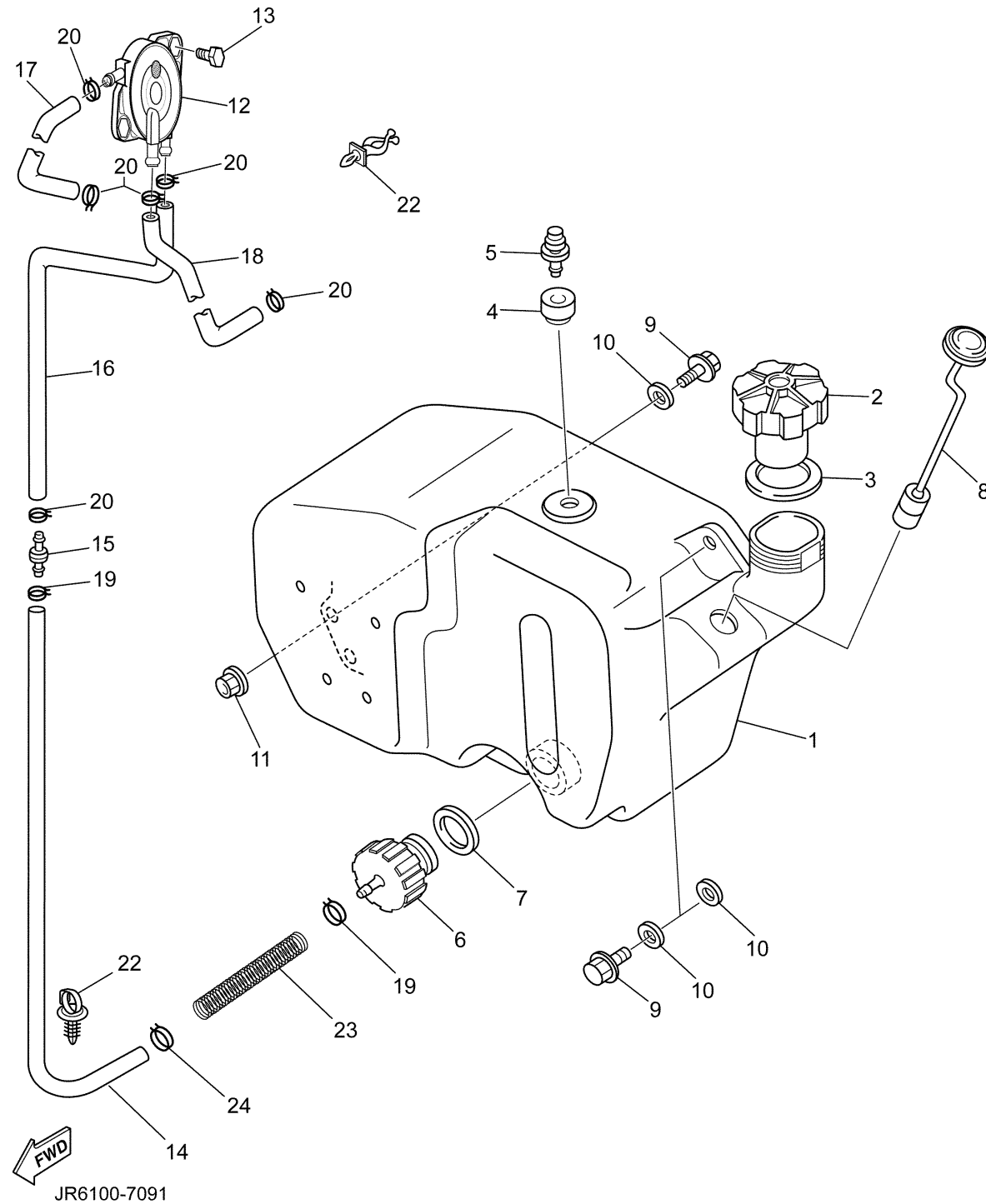
ACCELERATOR	B11
AIR SHROUD FAN	A6
BODY 1 FRONT	C9-10
BODY 2 REAR	C11-12
BODY FITTING	D1
BRAKE 1	B7-8
BRAKE 2	B9
BRAKE 3	B10
BUMPER	C8
CAMSHAFT VALVE	A5
CARBURETOR	A8
CARRIER	D2-3
CRANKCASE	A10
CRANKSHAFT PISTON	A4
CYLINDER HEAD	A3
ELECTRICAL 1	D7
ELECTRICAL 2	D8-9
ENGINE ASSEMBLY	A2
ENGINE MOUNT	A11
EXHAUST	A9
FRAME	B1
FRONT SUSPENSION WHEEL	B2-3
FUEL TANK	B6
GOVERNOR	B12
INTAKE	A7
PRIMARY CLUTCH	C1
REAR ARM SUSPENSION	A12
REAR AXLE MOUNT WHEEL	C6
SEAT	D4
SECONDARY SHEAVE	C2
SHIFTER CABLES	C7
STARTER GENERATOR	D5-6
STEERING	B4-5
TRANSMISSION	C3-5
-MODELS IN THIS CATALOG	D10

FUEL TANK

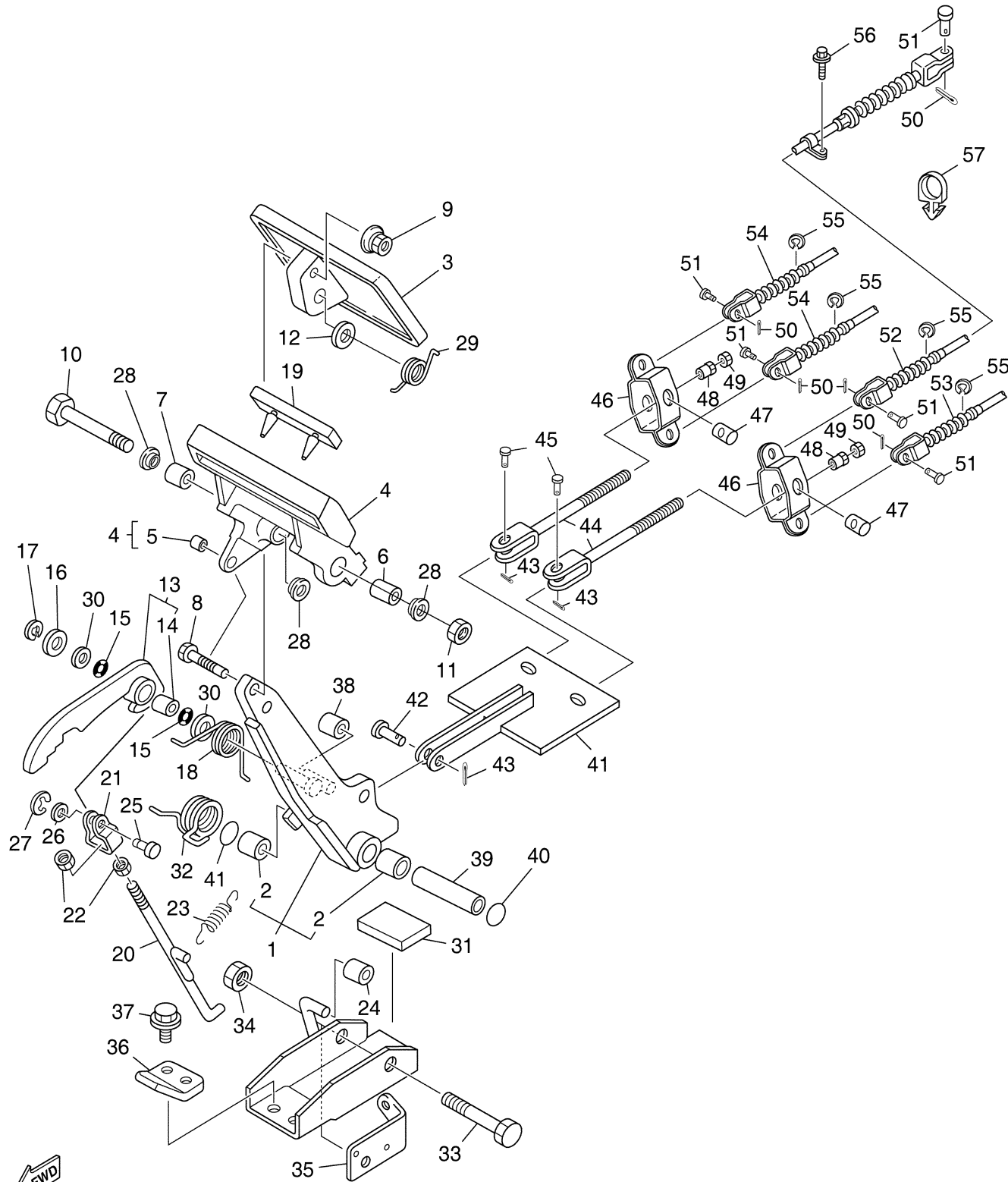
Ref. No.	Part Number	Description	Qty	Remarks
1	J55-F4111-12-00	TANK, FUEL	1	
2	J24-24620-01-00	BODY CAP ASSEMBLY	1	
3	J10-24612-00-00	GASKET, CAP	1	
4	J10-21773-00-00	GROMMET	1	
5	J24-24460-01-00	RELEASE VALVE ASSEMBLY .	1	
6	8R4-24560-00-00	FILTER ASSEMBLY	1	
7	8F3-24564-00-00	GASKET	1	
8	J38-85710-02-00	FUEL LEVEL GAUGE ASSEMBLY	1	
9	97017-08025-00	BOLT	3	
10	90201-088S2-00	WASHER, PLATE	4	
11	9560P-08200-00	NUT	2	
12	JN6-F4410-10-00	FUEL PUMP ASSY	1	
13	JN6-F3394-00-00	BOLT, SPECIAL	2	
14	JR3-F4312-00-00	PIPE 2	1	
15	JR3-F4461-00-00	PIPE, JOINT	1	
16	JN6-F4311-00-00	PIPE, FUEL	1	
17	JN6-F4313-10-00	PIPE, 3	1	
18	JR3-F4314-10-00	PIPE 4	1	
19	90467-12845-00	CLIP	2	
20	90467-10846-00	CLIP	6	
21	90464-11816-00	CLAMP	1	
22	90464-12830-00	CLAMP	1	
23	90501-08707-00	SPRING, COMPRESSION	1	
24	90467-10846-00	CLIP	1	

CONTENTS

ACCELERATOR	B11
AIR SHROUD FAN	A6
BODY 1 FRONT	C9-10
BODY 2 REAR	C11-12
BODY FITTING	D1
BRAKE 1	B7-8
BRAKE 2	B9
BRAKE 3	B10
BUMPER	C8
CAMSHAFT VALVE	A5
CARBURETOR	A8
CARRIER	D2-3
CRANKCASE	A10
CRANKSHAFT PISTON	A4
CYLINDER HEAD	A3
ELECTRICAL 1	D7
ELECTRICAL 2	D8-9
ENGINE ASSEMBLY	A2
ENGINE MOUNT	A11
EXHAUST	A9
FRAME	B1
FRONT SUSPENSION WHEEL	B2-3
FUEL TANK	B6
GOVERNOR	B12
INTAKE	A7
PRIMARY CLUTCH	C1
REAR ARM SUSPENSION	A12
REAR AXLE MOUNT WHEEL	C6
SEAT	D4
SECONDARY SHEAVE	C2
SHIFTER CABLES	C7
STARTER GENERATOR	D5-6
STEERING	B4-5
TRANSMISSION	C3-5
-MODELS IN THIS CATALOG	D10



BRAKE 1



JR6100-7031

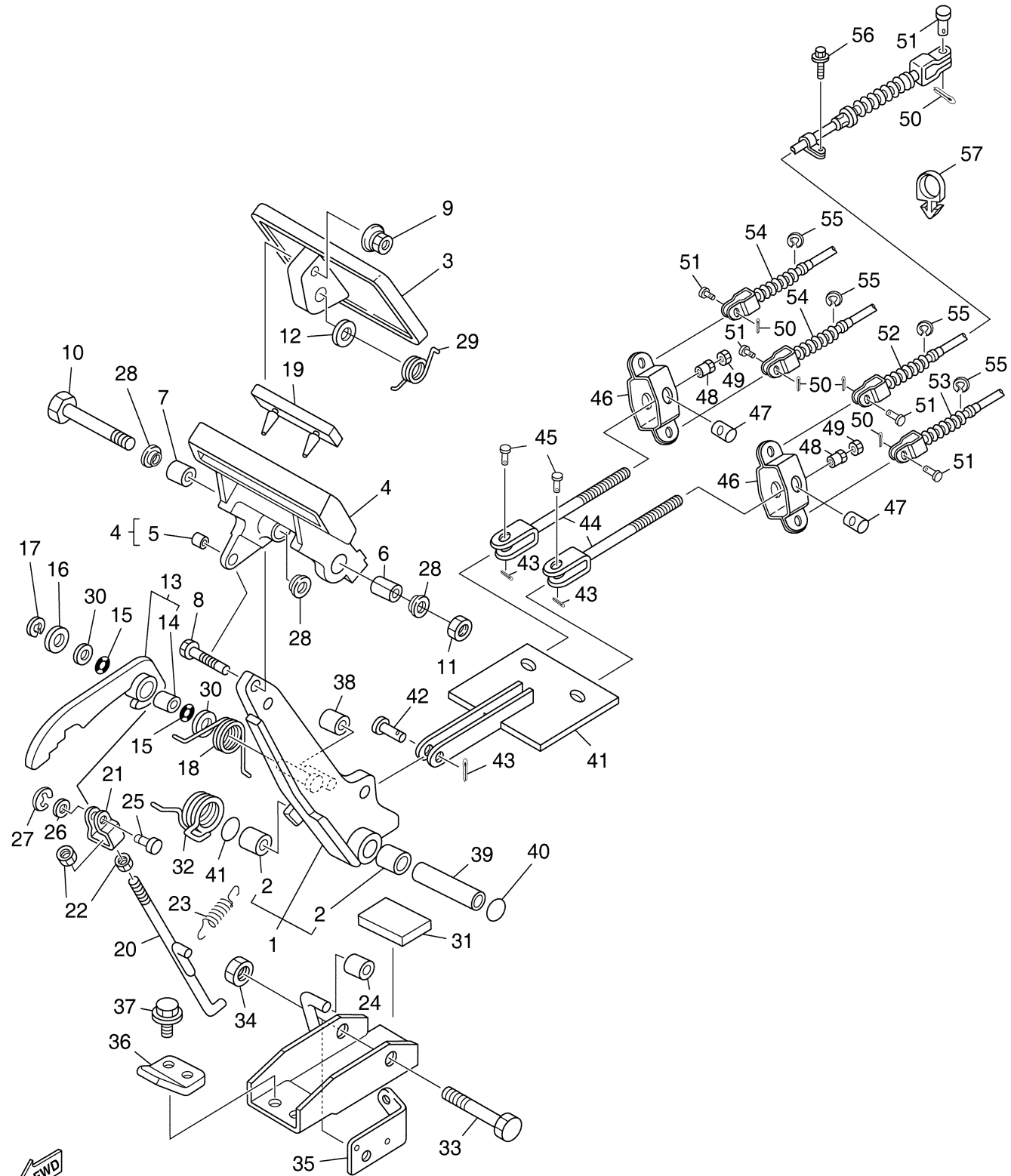
Ref. No.	Part Number	Description	Qty	Remarks
1	J46-27250-03-00	BRAKE ARM COMP.	1	
2	90384-14080-00	. BUSH, BIMETAL	2	
3	J10-27211-00-00	PEDAL, BRAKE	1	
4	J17-25671-01-00	PARKING PEDAL COMP.	1	
5	90384-05163-00	. BUSH, BIMETAL	1	
6	90387-08014-00	COLLAR	1	
7	90387-08013-00	COLLAR	1	
8	97017-06035-00	BOLT, HEX	1	
9	90179-06387-00	NUT	1	
10	97027-08100-00	BOLT	1	
11	95337-08600-00	NUT, HEX	1	
12	92907-08200-00	WASHER, PLAIN	1	
13	J17-25666-02-00	SECTOR, PARKING BRAKE ..	1	
14	90384-10162-00	. BUSH, BIMETAL	1	
15	J17-27221-00-00	SEAL, SHAFT	2	
16	92907-10600-00	WASHER, PLATE	1	
17	99080-07600-00	CIRCLIP (E)	1	
18	90508-14548-00	SPRING, TORSION	1	
19	J17-25672-01-00	PAD, PARKING	1	
20	J17-27231-00-00	ROD, BRAKE	1	
21	J17-27232-00-00	END, ROD	1	
22	95317-06700-00	NUT, HEX	2	
23	90506-08526-00	SPRING, TENSION	1	
24	J17-25673-00-00	DAMPER, BRAKE	1	
25	J17-27228-00-00	PIN, LINK JOINT	1	
26	92907-05600-00	WASHER, PLATE	1	
27	99080-04600-00	CIRCLIP (E)	1	
28	90387-12009-00	COLLAR	3	
29	90508-32015-00	SPRING, TORSION	1	
30	92907-08200-00	WASHER, PLAIN	2	

CONTENTS

ACCELERATOR	B11
AIR SHROUD FAN	A6
BODY 1 FRONT	C9-10
BODY 2 REAR	C11-12
BODY FITTING	D1
BRAKE 1	B7-8
BRAKE 2	B9
BRAKE 3	B10
BUMPER	C8
CAMSHAFT VALVE	A5
CARBURETOR	A8
CARRIER	D2-3
CRANKCASE	A10
CRANKSHAFT PISTON	A4
CYLINDER HEAD	A3
ELECTRICAL 1	D7
ELECTRICAL 2	D8-9
ENGINE ASSEMBLY	A2
ENGINE MOUNT	A11
EXHAUST	A9
FRAME	B1
FRONT SUSPENSION WHEEL	B2-3
FUEL TANK	B6
GOVERNOR	B12
INTAKE	A7
PRIMARY CLUTCH	C1
REAR ARM SUSPENSION	A12
REAR AXLE MOUNT WHEEL	C6
SEAT	D4
SECONDARY SHEAVE	C2
SHIFTER CABLES	C7
STARTER GENERATOR	D5-6
STEERING	B4-5
TRANSMISSION	C3-5
~MODELS IN THIS CATALOG	D10

CONTINUED ON NEXT FRAME ►

BRAKE 1



JR6100-7031

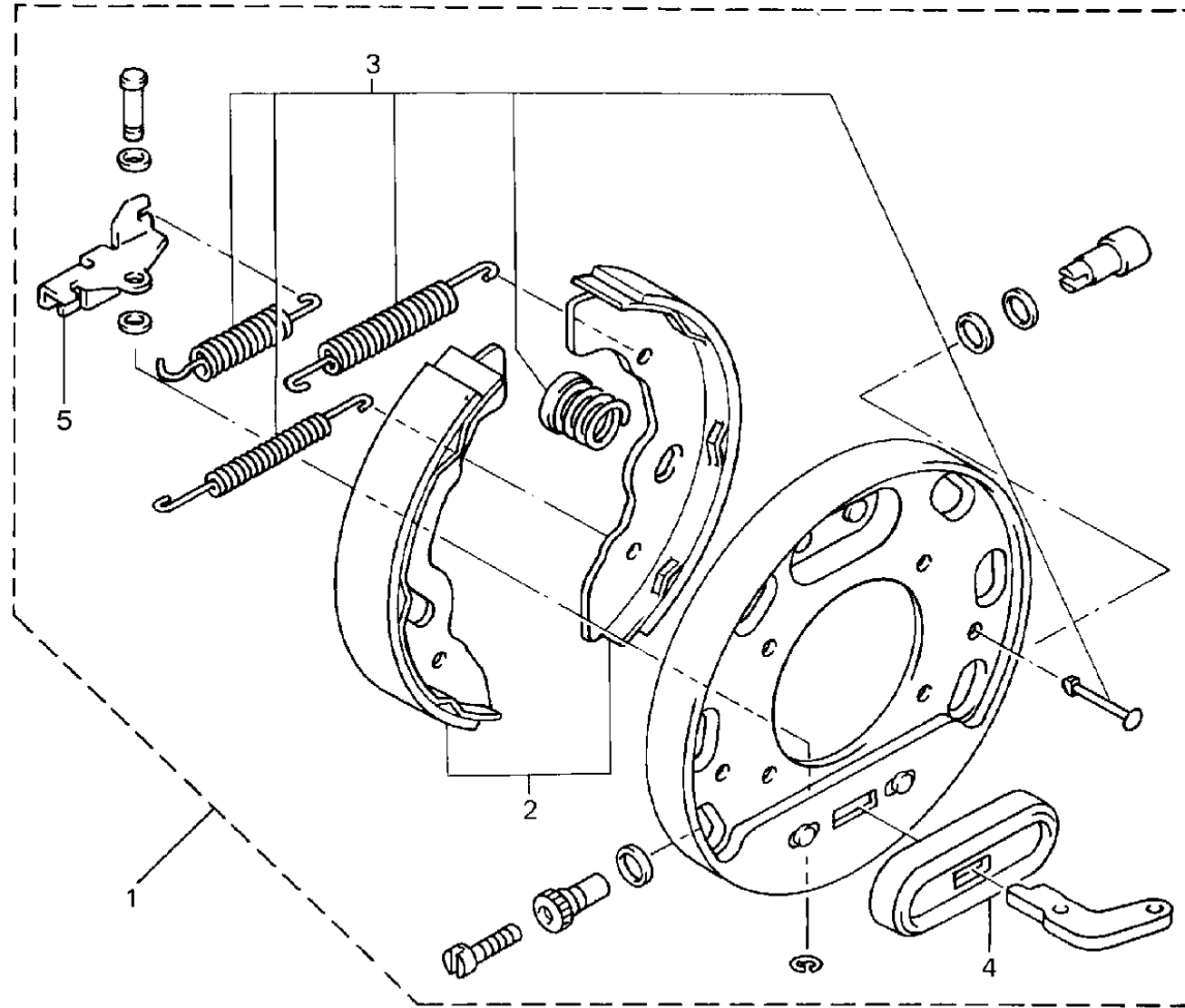
Ref. No.	Part Number	Description	Qty	Remarks
31	JN3-F7245-00-00	PAD, BRAKE PEDAL	1	
32	90508-40007-00	SPRING, TORSION	1	
33	90101-10884-00	BOLT	1	
34	95607-10200-00	NUT, U FLANGE	1	
35	J55-2252M-00-00	BRACKET	1	
36	J17-27246-00-00	NAIL, BRAKE	1	
37	90105-08878-00	BOLT, FLANGE	2	
38	J17-25673-00-00	DAMPER, BRAKE	1	
39	90387-107F8-00	COLLAR	1	
40	93210-14579-00	O-RING	2	
41	JR6-F7215-00-00	LINK	1	
42	91701-10026-00	PIN	1	
43	91490-30020-00	PIN, COTTER	3	
44	JN6-F5685-00-00	ROD	2	
45	91701-10022-00	PIN	2	
46	J10-25681-00-00	EQUALIZER, BRAKE	2	
47	90249-14129-00	PIN	2	
48	90179-08894-00	NUT	2	
49	95307-08700-00	NUT, HEX	2	
50	91490-25020-00	PIN, COTTER	8	
51	91701-08018-00	PIN	8	
52	JJ3-F6341-01-00	WIRE, BRAKE 1	1	
53	JJ3-F6351-02-00	WIRE, BRAKE 2	1	
54	JR6-F6361-00-00	WIRE, BRAKE 3	2	
55	99001-09600-00	CIRCLIP	8	
56	95817-06016-00	BOLT, FLANGE	2	
57	90464-19815-00	CLAMP	1	

CONTENTS

ACCELERATOR	B11
AIR SHROUD FAN	A6
BODY 1 FRONT	C9-10
BODY 2 REAR	C11-12
BODY FITTING	D1
BRAKE 1	B7-8
BRAKE 2	B9
BRAKE 3	B10
BUMPER	C8
CAMSHAFT VALVE	A5
CARBURETOR	A8
CARRIER	D2-3
CRANKCASE	A10
CRANKSHAFT PISTON	A4
CYLINDER HEAD	A3
ELECTRICAL 1	D7
ELECTRICAL 2	D8-9
ENGINE ASSEMBLY	A2
ENGINE MOUNT	A11
EXHAUST	A9
FRAME	B1
FRONT SUSPENSION WHEEL	B2-3
FUEL TANK	B6
GOVERNOR	B12
INTAKE	A7
PRIMARY CLUTCH	C1
REAR ARM SUSPENSION	A12
REAR AXLE MOUNT WHEEL	C6
SEAT	D4
SECONDARY SHEAVE	C2
SHIFTER CABLES	C7
STARTER GENERATOR	D5-6
STEERING	B4-5
TRANSMISSION	C3-5
-MODELS IN THIS CATALOG	D10

BRAKE 2

Ref. No.	Part Number	Description	Qty	Remarks
1	JN6-F7280-03-00	BACKING PLATE, (RH)	2	(FOR R/S FRONT & REAR WHEELS ONLY)
2	JN6-F5331-01-00	. SHOE, BRAKE SET	1	(FOR ONE WHEEL)
3	JN6-F819G-00-00	. REPAIR PARTS KIT	2	
4	JG5-F7286-00-00	. COVER, DUST	2	
5	JN6-F722F-00-00	. LEVER, ADJUSTER (RH)	2	



CONTENTS

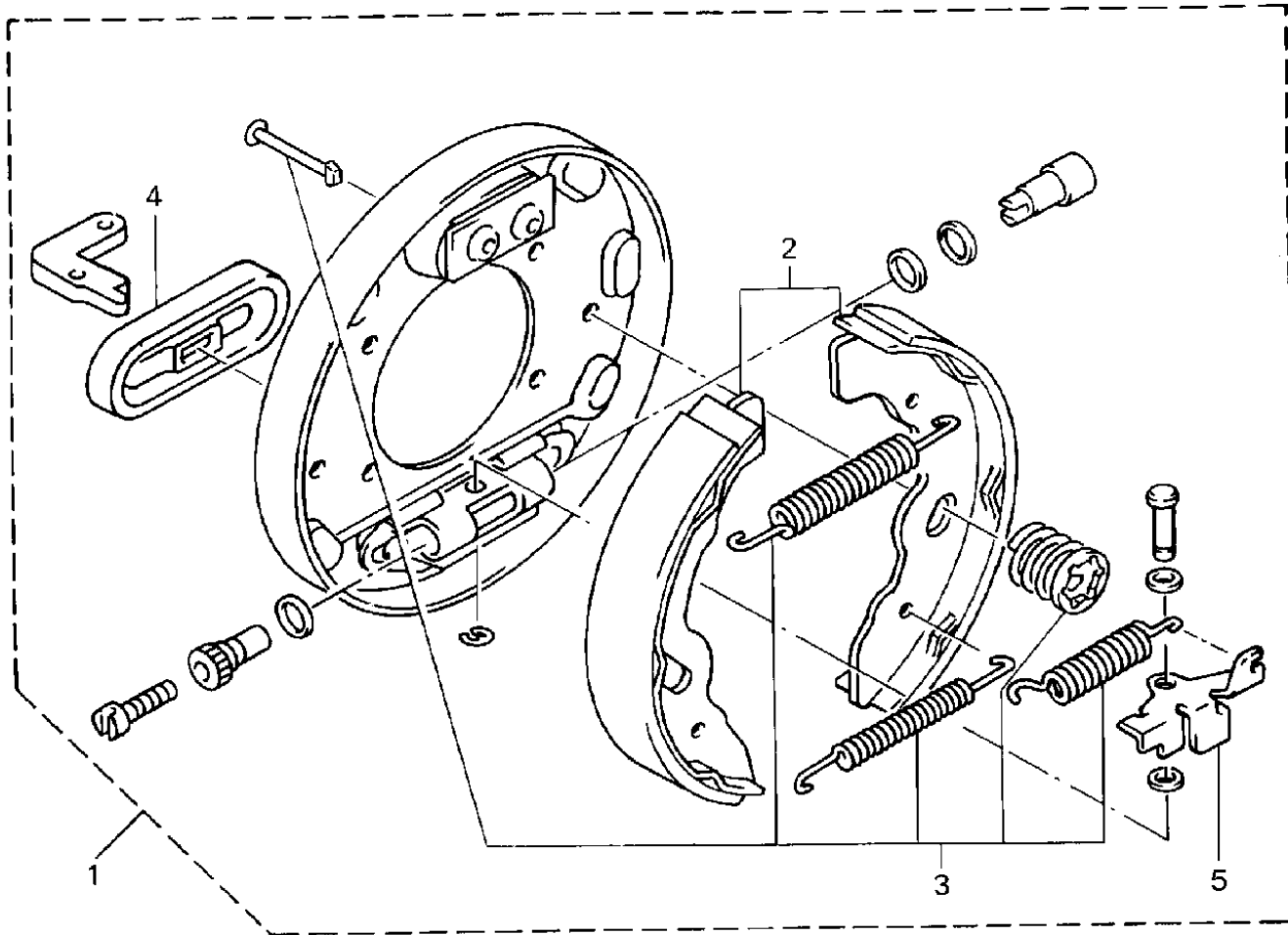
ACCELERATOR	B11
AIR SHROUD FAN	A6
BODY 1 FRONT	C9-10
BODY 2 REAR	C11-12
BODY FITTING	D1
BRAKE 1	B7-8
BRAKE 2	B9
BRAKE 3	B10
BUMPER	C8
CAMSHAFT VALVE	A5
CARBURETOR	A8
CARRIER	D2-3
CRANKCASE	A10
CRANKSHAFT PISTON	A4
CYLINDER HEAD	A3
ELECTRICAL 1	D7
ELECTRICAL 2	D8-9
ENGINE ASSEMBLY	A2
ENGINE MOUNT	A11
EXHAUST	A9
FRAME	B1
FRONT SUSPENSION WHEEL	B2-3
FUEL TANK	B6
GOVERNOR	B12
INTAKE	A7
PRIMARY CLUTCH	C1
REAR ARM SUSPENSION	A12
REAR AXLE MOUNT WHEEL	C6
SEAT	D4
SECONDARY SHEAVE	C2
SHIFTER CABLES	C7
STARTER GENERATOR	D5-6
STEERING	B4-5
TRANSMISSION	C3-5
-MODELS IN THIS CATALOG	D10



JN4100-5061

BRAKE 3

Ref. No.	Part Number	Description	Qty	Remarks
1	JN6-F7290-03-00	BACKING PLATE, LEFT	2	(FOR L/S FRONT & REAR WHEELS ONLY)
2	JN6-F5331-01-00	. SHOE, BRAKE SET	1	(FOR ONE WHEEL)
3	JN6-F819G-00-00	. REPAIR PARTS KIT	2	
4	JG5-F7286-00-00	. COVER, DUST	2	
5	JN6-F722E-00-00	. LEVER ADJUSTER (LH)	2	



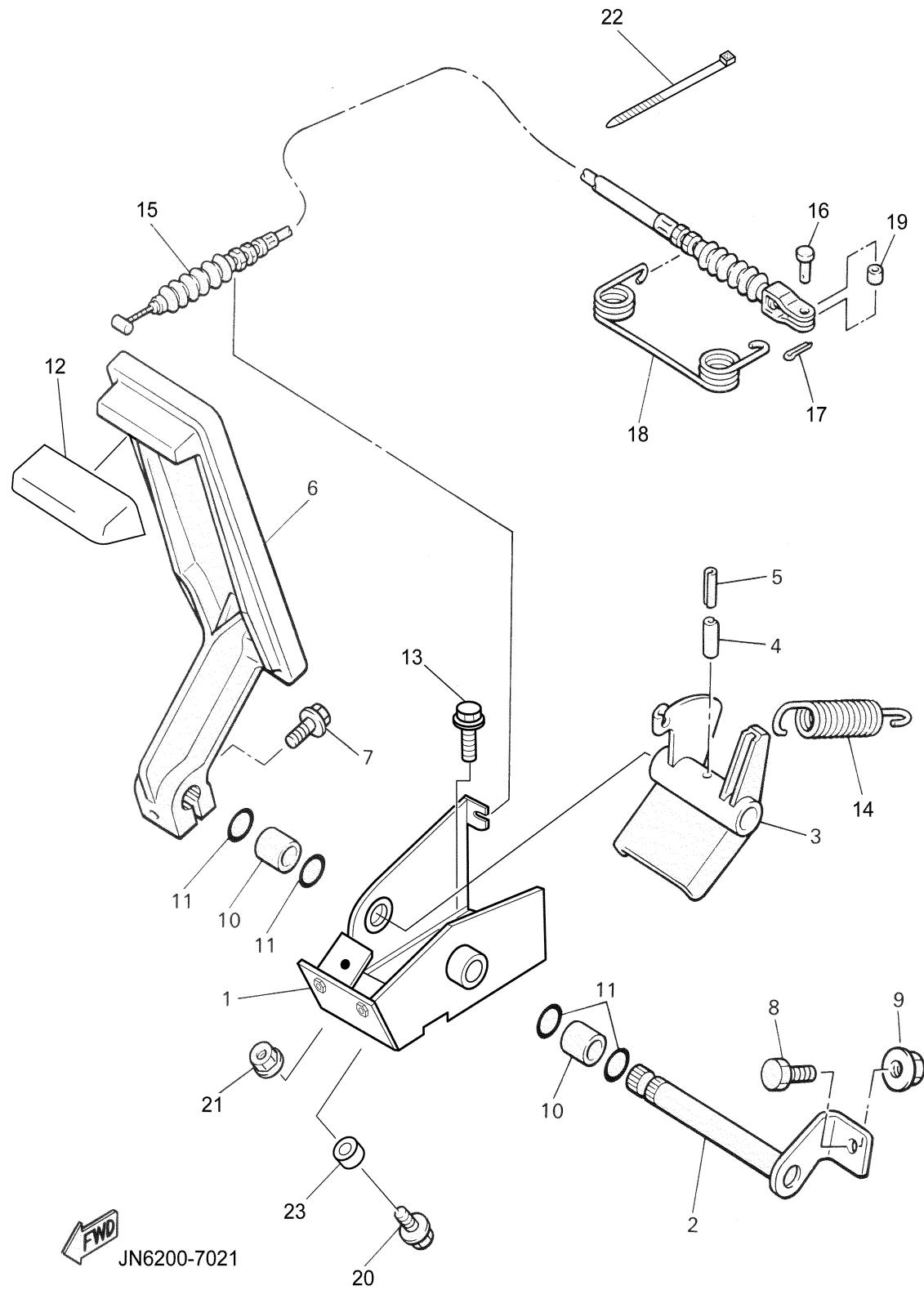
CONTENTS

ACCELERATOR	B11
AIR SHROUD FAN	A6
BODY 1 FRONT	C9-10
BODY 2 REAR	C11-12
BODY FITTING	D1
BRAKE 1	B7-8
BRAKE 2	B9
BRAKE 3	B10
BUMPER	C8
CAMSHAFT VALVE	A5
CARBURETOR	A8
CARRIER	D2-3
CRANKCASE	A10
CRANKSHAFT PISTON	A4
CYLINDER HEAD	A3
ELECTRICAL 1	D7
ELECTRICAL 2	D8-9
ENGINE ASSEMBLY	A2
ENGINE MOUNT	A11
EXHAUST	A9
FRAME	B1
FRONT SUSPENSION WHEEL	B2-3
FUEL TANK	B6
GOVERNOR	B12
INTAKE	A7
PRIMARY CLUTCH	C1
REAR ARM SUSPENSION	A12
REAR AXLE MOUNT WHEEL	C6
SEAT	D4
SECONDARY SHEAVE	C2
SHIFTER CABLES	C7
STARTER GENERATOR	D5-6
STEERING	B4-5
TRANSMISSION	C3-5
-MODELS IN THIS CATALOG	D10



JN4100-5071

ACCELERATOR



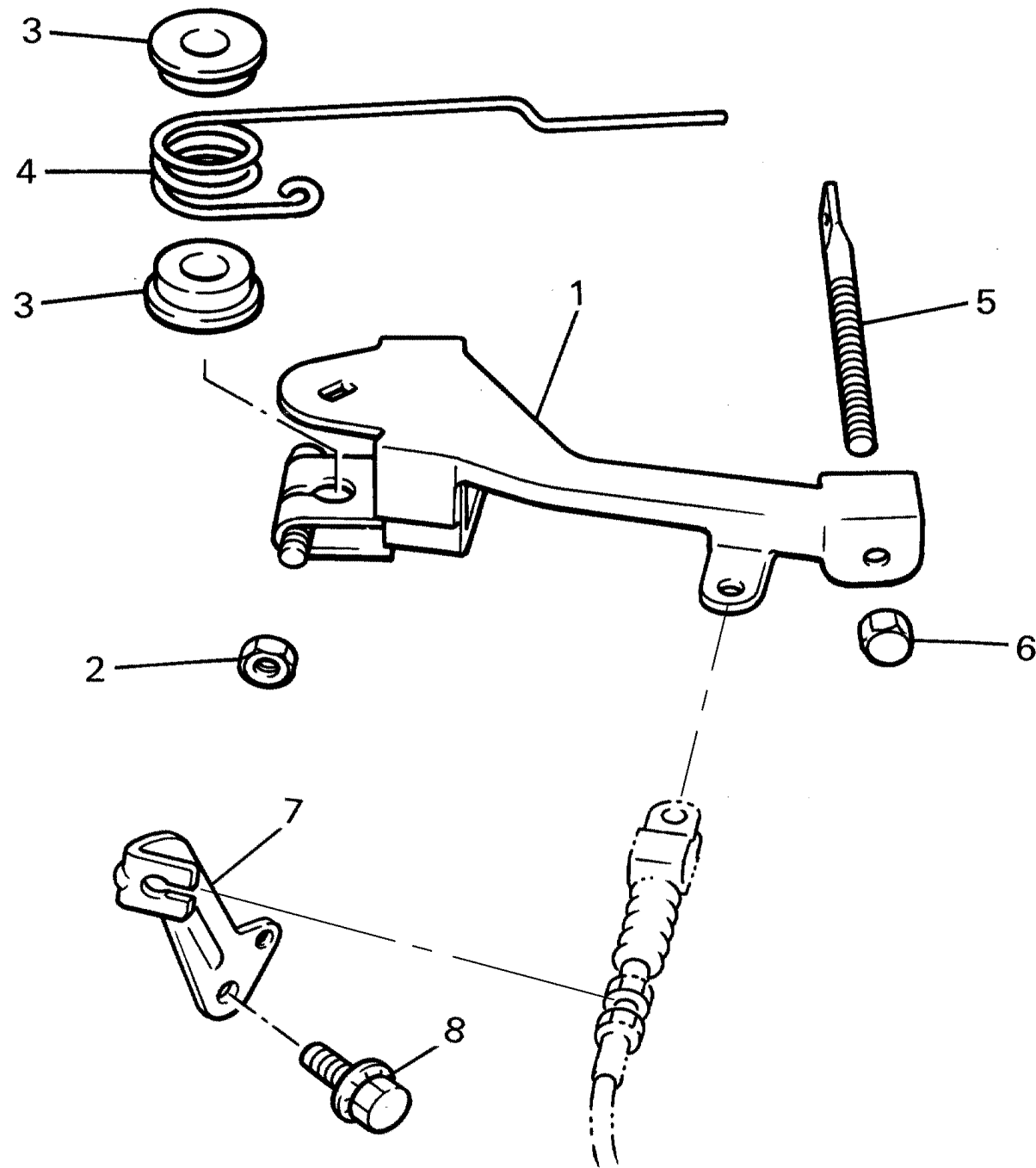
Ref. No.	Part Number	Description	Qty	Remarks
1	JN6-F7874-01-00	BRACKET, PEDAL	1	
2	J17-27853-01-00	SHAFT, PEDAL	1	
3	J38-27872-00-00	ARM, ACCELERATOR	1	
4	91609-60028-00	PIN, SPRING	1	
5	91609-35028-00	PIN, SPRING	1	
6	J10-27871-01-00	PEDAL, ACCELERATOR	1	
7	95817-06025-00	BOLT, FLANGE	1	
8	90106-08806-00	BOLT	1	
9	90179-08491-00	NUT, FLANGE	1	
10	90384-14080-00	BUSH, BIMETAL	2	
11	93210-14579-00	O-RING	4	
12	JN3-F7854-00-00	COVER, PEDAL	1	
13	90105-08878-00	BOLT, FLANGE	3	
14	90506-26282-00	SPRING, TENSION	1	
15	JJ3-F6311-00-00	CABLE, THROTTLE	1	
16	91790-05012-00	PIN	1	
17	90468-10050-00	CLIP	1	
18	90508-16460-00	SPRING, TORSION	1	
19	90560-05001-00	SPACER	1	
20	95817-06025-00	BOLT, FLANGE	1	
21	95707-06500-00	NUT, FLANGE	1	
22	90464-40825-00	CLAMP	1	
23	90387-068T4-00	COLLAR	1	

CONTENTS

ACCELERATOR	B11
AIR SHROUD FAN	A6
BODY 1 FRONT	C9-10
BODY 2 REAR	C11-12
BODY FITTING	D1
BRAKE 1	B7-8
BRAKE 2	B9
BRAKE 3	B10
BUMPER	C8
CAMSHAFT VALVE	A5
CARBURETOR	A8
CARRIER	D2-3
CRANKCASE	A10
CRANKSHAFT PISTON	A4
CYLINDER HEAD	A3
ELECTRICAL 1	D7
ELECTRICAL 2	D8-9
ENGINE ASSEMBLY	A2
ENGINE MOUNT	A11
EXHAUST	A9
FRAME	B1
FRONT SUSPENSION WHEEL	B2-3
FUEL TANK	B6
GOVERNOR	B12
INTAKE	A7
PRIMARY CLUTCH	C1
REAR ARM SUSPENSION	A12
REAR AXLE MOUNT WHEEL	C6
SEAT	D4
SECONDARY SHEAVE	C2
SHIFTER CABLES	C7
STARTER GENERATOR	D5-6
STEERING	B4-5
TRANSMISSION	C3-5
~MODELS IN THIS CATALOG	D10

GOVERNOR

Ref. No.	Part Number	Description	Qty	Remarks
1	J38-27951-00-00	LEVER, SPEED	1	
2	95317-06600-00	NUT (95307-06600-00)	1	
3	90386-08141-00	BUSH	2	
4	90508-40678-00	SPRING, TORSION	1	
5	J38-27959-00-00	SCREW, ADJUSTING	1	
6	95607-06200-00	NUT, SELF U-FLANGE	1	
7	JN3-G6555-00-00	BRACKET 2	1	
8	90105-08859-00	BOLT, FLANGE	1	



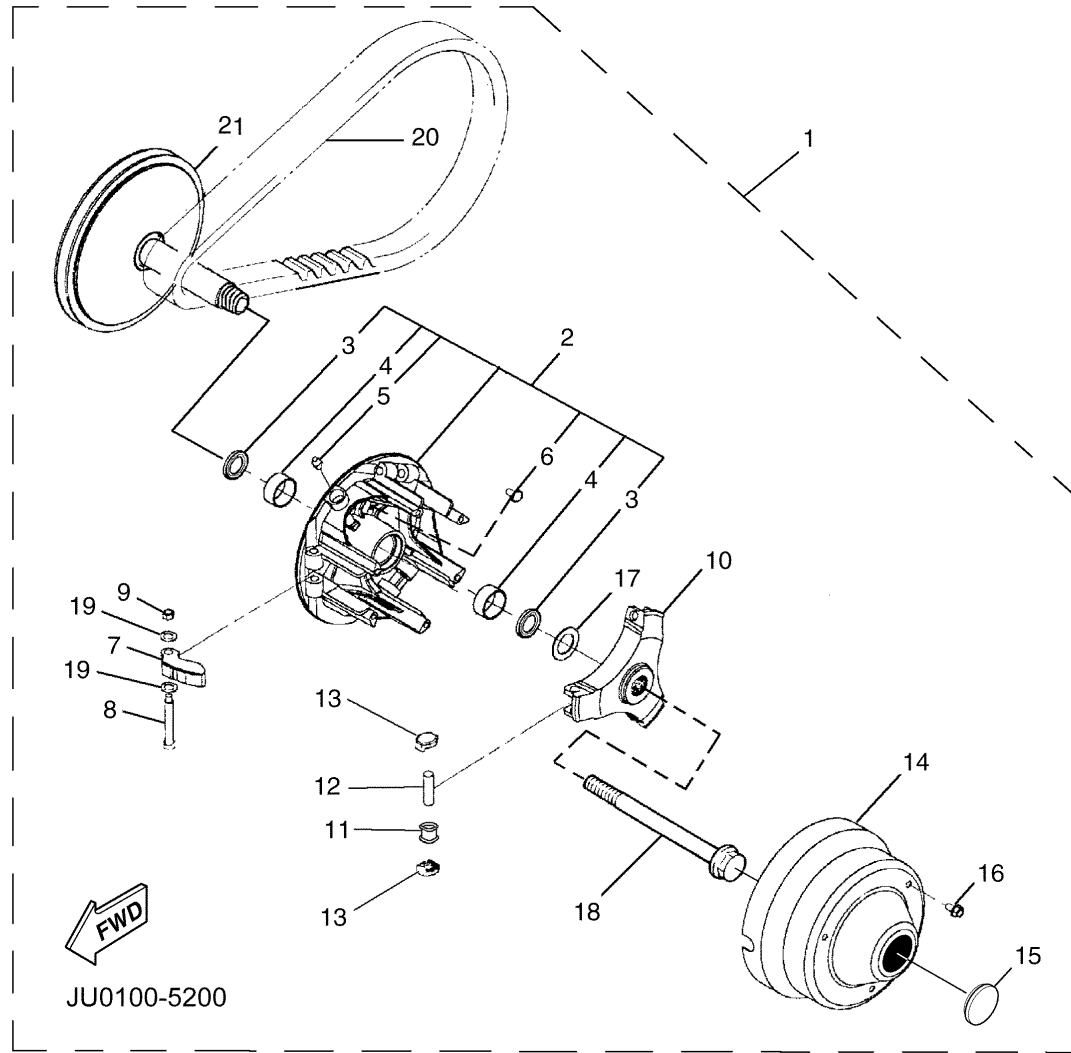
CONTENTS

ACCELERATOR	B11
AIR SHROUD FAN	A6
BODY 1 FRONT	C9-10
BODY 2 REAR	C11-12
BODY FITTING	D1
BRAKE 1	B7-8
BRAKE 2	B9
BRAKE 3	B10
BUMPER	C8
CAMSHAFT VALVE	A5
CARBURETOR	A8
CARRIER	D2-3
CRANKCASE	A10
CRANKSHAFT PISTON	A4
CYLINDER HEAD	A3
ELECTRICAL 1	D7
ELECTRICAL 2	D8-9
ENGINE ASSEMBLY	A2
ENGINE MOUNT	A11
EXHAUST	A9
FRAME	B1
FRONT SUSPENSION WHEEL	B2-3
FUEL TANK	B6
GOVERNOR	B12
INTAKE	A7
PRIMARY CLUTCH	C1
REAR ARM SUSPENSION	A12
REAR AXLE MOUNT WHEEL	C6
SEAT	D4
SECONDARY SHEAVE	C2
SHIFTER CABLES	C7
STARTER GENERATOR	D5-6
STEERING	B4-5
TRANSMISSION	C3-5
-MODELS IN THIS CATALOG	D10



JU0100-5190

PRIMARY CLUTCH



NOTE A:
 Old style Spider and Collar/Rollers are no longer available. Order Spider/Roller Kit P/N JU0-G6430-00-00 to upgrade older units.
 For Ser. # JR6-300301 and earlier, see Technical bulletin G03-005.
 Ser. # JR6-300302 and later, were manufactured with the NEW style Spider and Rollers.

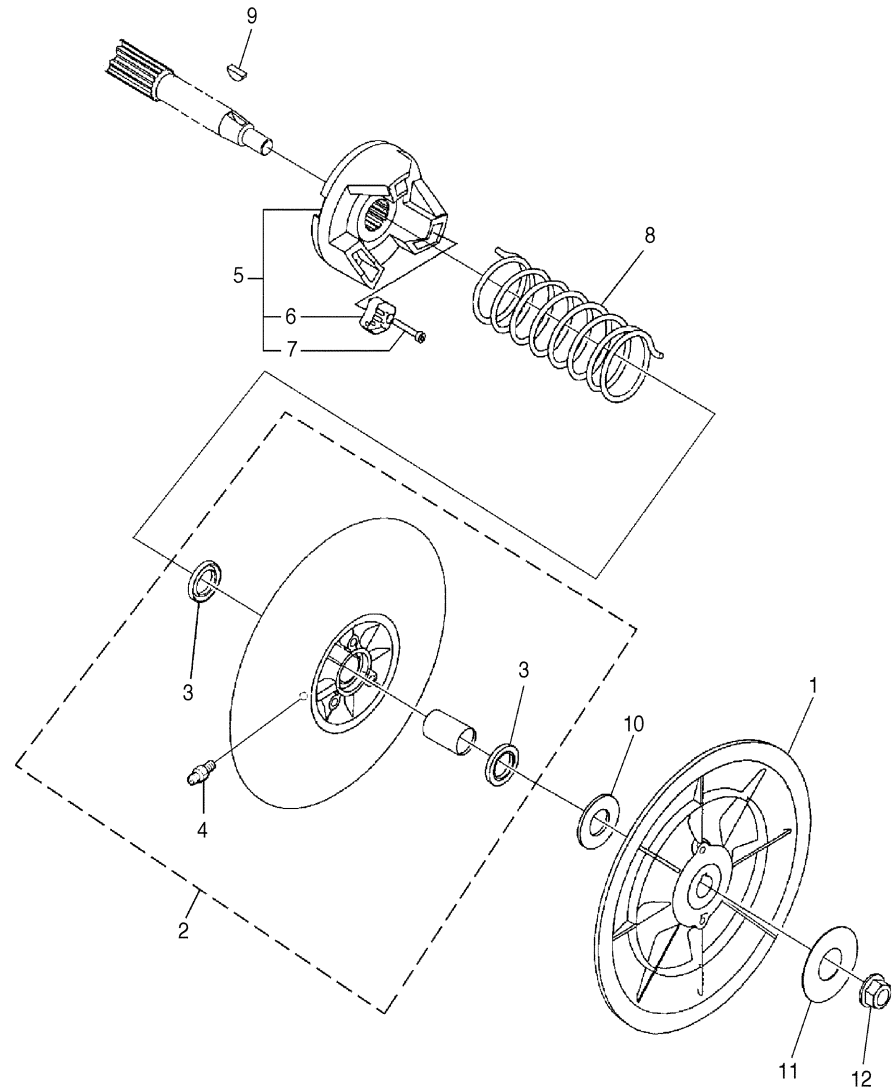
Ref. No.	Part Number	Description	Qty	Remarks
1	JN6-G6201-03-00	PRIMARY CLUTCH ASSEMBLY	1	ASSY INCLUDES ALL EXCEPT REF. #S 18 & 20.
2	JN6-G6220-00-00	. PRIMARY SLIDING SHEAVE .	1	
3	93101-28831-00	.. OIL SEAL	1	
4	90384-27823-00	.. BUSH, BIMETAL	2	
5	93700-06810-00	.. NIPPLE, GREASE	1	
6	90338-04840-00	.. PLUG	3	
7	JN6-G6232-01-00	. WEIGHT 1	3	
8	90109-06860-00	. BOLT	3	
9	90185-06834-00	. NUT, SELF-LOCKING	3	
10	JN6-G6251-00-00	. SPIDER	1	
11	JN6-G6258-01-00	. COLLAR, ROLLER	3	
12	93610-358A3-00	. PIN, DOWEL	3	
13	JN6-G6253-00-00	. SLIDER	6	
14	JU0-G6231-00-00	. CAP	1	
15	JU0-G6297-00-00	. COVER, DUST	1	
16	90105-06861-00	. BOLT, FLANGE	3	
17	90201-228K5-00	. WASHER, PLAIN	1	
18	JN6-G6249-00-00	BOLT	1	NOT INLCUDED
19	JN6-G621F-00-00	. SHIM, THRUST	6	
20	J55-G6241-00-00	V-BELT	1	NOT INCLUDED
21	JN6-G6210-00-00	. PRIMARY FIXED SHEAVE ...	1	

CONTENTS

ACCELERATOR	B11
AIR SHROUD FAN	A6
BODY 1 FRONT	C9-10
BODY 2 REAR	C11-12
BODY FITTING	D1
BRAKE 1	B7-8
BRAKE 2	B9
BRAKE 3	B10
BUMPER	C8
CAMSHAFT VALVE	A5
CARBURETOR	A8
CARRIER	D2-3
CRANKCASE	A10
CRANKSHAFT PISTON	A4
CYLINDER HEAD	A3
ELECTRICAL 1	D7
ELECTRICAL 2	D8-9
ENGINE ASSEMBLY	A2
ENGINE MOUNT	A11
EXHAUST	A9
FRAME	B1
FRONT SUSPENSION WHEEL	B2-3
FUEL TANK	B6
GOVERNOR	B12
INTAKE	A7
PRIMARY CLUTCH	C1
REAR ARM SUSPENSION	A12
REAR AXLE MOUNT WHEEL	C6
SEAT	D4
SECONDARY SHEAVE	C2
SHIFTER CABLES	C7
STARTER GENERATOR	D5-6
STEERING	B4-5
TRANSMISSION	C3-5
~MODELS IN THIS CATALOG	D10

SECONDARY SHEAVE

Ref. No.	Part Number	Description	Qty	Remarks
1	JN6-G6260-00-00	SECONDARY FIXED SHEAVE .	1	
2	JN6-G6270-01-KT	SECONDARY SLIDING SHEAVE	1	INCLUDES SHEAVE, BUSHING, SEALS & GREASE NIPPLE
3	93109-20069-00	. OIL SEAL	2	
4	93700-06809-00	. NIPPLE, GREASE	1	
5	JN6-G6280-00-00	SECONDARY SPRING SEAT COMP.	1	INCLUDES SEC. SPRING SEAT, SHOE RAMP & BOLTS
6	JN6-E7688-00-00	. SHOE, RAMP	3	
7	90110-04834-00	. BOLT, HEXAGON SOCKET ..	3	
8	90508-45849-00	SPRING, TORSION (L=135MM +/- 1.5)	1	L=135.0MM + OR - 1.5
9	90280-05022-00	KEY, WOODRUFF	1	
10	90202-20130-00	WASHER	1	
11	90201-12588-00	WASHER, PLATE	1	
12	95607-12200-00	NUT, U-FLANGE	1	



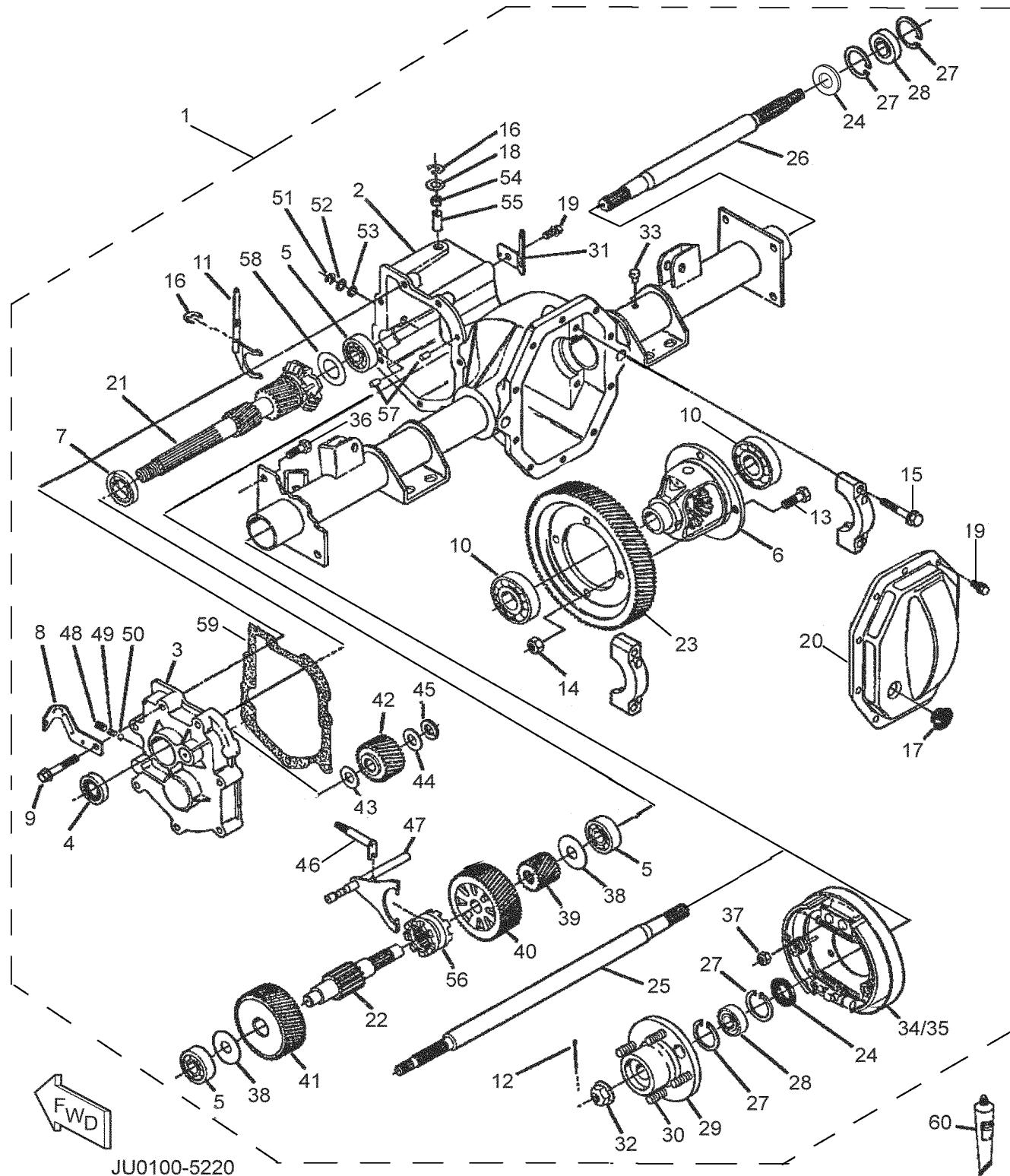
CONTENTS

ACCELERATOR	B11
AIR SHROUD FAN	A6
BODY 1 FRONT	C9-10
BODY 2 REAR	C11-12
BODY FITTING	D1
BRAKE 1	B7-8
BRAKE 2	B9
BRAKE 3	B10
BUMPER	C8
CAMSHAFT VALVE	A5
CARBURETOR	A8
CARRIER	D2-3
CRANKCASE	A10
CRANKSHAFT PISTON	A4
CYLINDER HEAD	A3
ELECTRICAL 1	D7
ELECTRICAL 2	D8-9
ENGINE ASSEMBLY	A2
ENGINE MOUNT	A11
EXHAUST	A9
FRAME	B1
FRONT SUSPENSION WHEEL	B2-3
FUEL TANK	B6
GOVERNOR	B12
INTAKE	A7
PRIMARY CLUTCH	C1
REAR ARM SUSPENSION	A12
REAR AXLE MOUNT WHEEL	C6
SEAT	D4
SECONDARY SHEAVE	C2
SHIFTER CABLES	C7
STARTER GENERATOR	D5-6
STEERING	B4-5
TRANSMISSION	C3-5
~MODELS IN THIS CATALOG	D10



JU0100-3210

TRANSMISSION



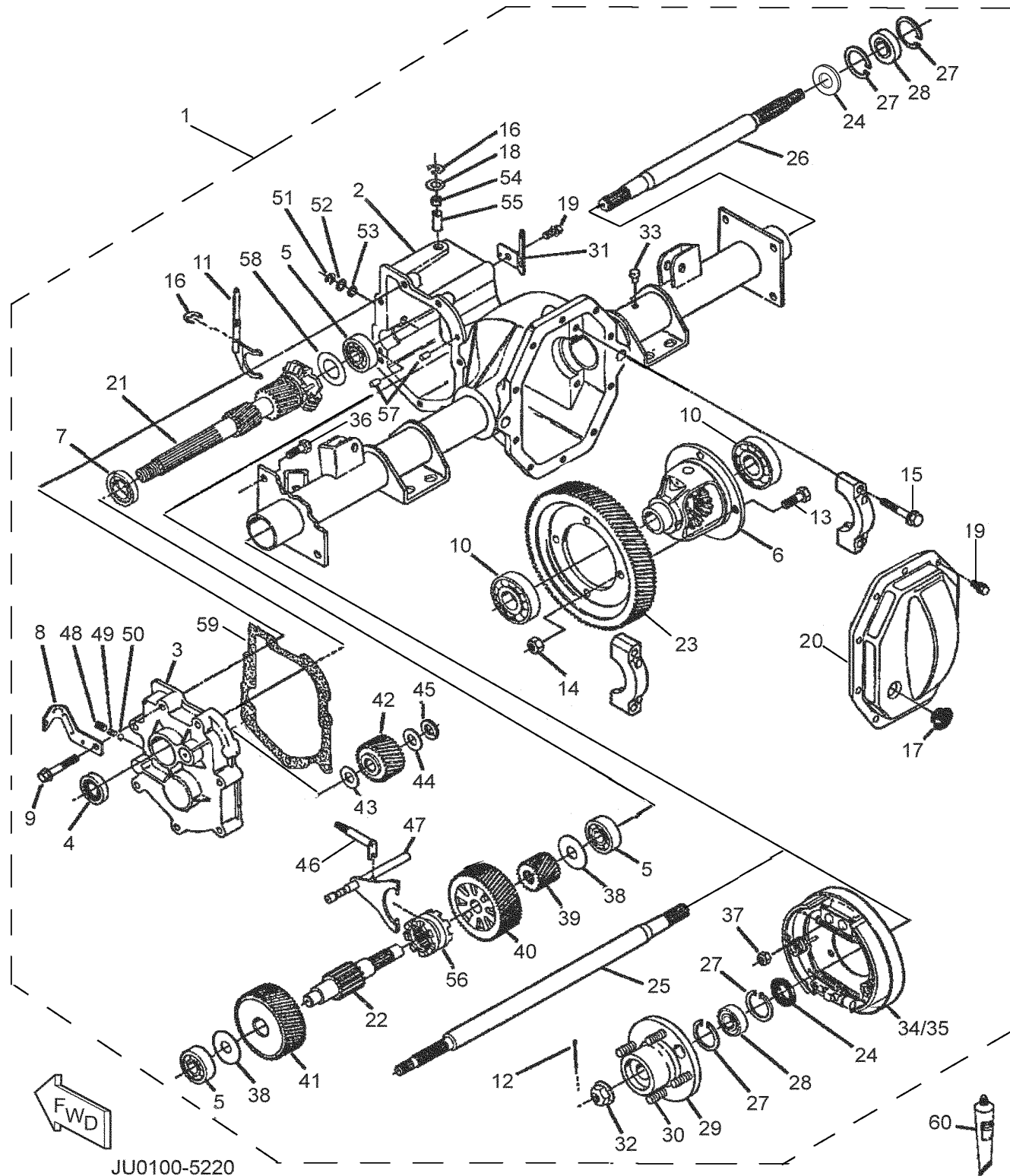
Ref. No.	Part Number	Description	Qty	Remarks
1	JR6-G6300-02-00	TRANSAXLE ASSEMBLY	1	
2	JR3-G6290-02-00	. CASE ASSY	1	JR6-200101~
	JR3-G6290-01-00	. CASE ASSY	1	~JR6-200100
3	JN3-G6313-00-00	. COVER, TRANSMISSION	1	
4	93102-25868-00	. OIL SEAL	1	
5	93306-303Y6-00	. BEARING	3	
6	JN6-G6410-00-00	. DIFFERENTIAL ASSEMBLY	1	
7	93306-005Y4-00	. BEARING	1	
8	JN6-G6555-00-00	. BRACKET 2	1	
9	90105-08859-00	. BOLT, FLANGE	7	
10	93306-007Y0-00	. BEARING	2	
11	JN3-G633E-01-00	. BAR 1	1	
12	90252-36801-00	. PIN, COTTER	2	
13	90101-10854-00	. BOLT, HEX	4	
14	90170-10840-00	. NUT, HEX	4	
15	90105-10840-00	. BOLT, FLANGE	4	
16	JU0-F722H-00-00	. RETAINER	2	
17	JN3-G6432-00-00	. STOPPER	1	
18	JU0-F723F-00-00	. WASHER, SPECIAL	1	
19	90101-08856-00	. BOLT, HEX	11	
20	JN3-G6314-00-00	. COVER, TRANSMISSION	1	
21	JR6-G6320-01-00	. SHAFT, INPUT ASSY	1	
22	JN3-G633G-00-00	. SHAFT	1	
23	JN3-G6355-00-00	. GEAR, PRIMARY	1	
24	93101-31836-00	. SEAL, OIL	2	
25	JR3-G6511-00-00	. SHAFT, REAR AXLE 1 (L.H)	1	
26	JR3-G6512-00-00	. SHAFT, REAR AXLE 2 (R.H)	1	
27	93420-52806-00	. CIRCLIP	4	
28	93306-205X2-00	. BEARING	2	
29	JR3-G6514-00-00	. HUB, REAR AXLE	2	

CONTENTS

ACCELERATOR	B11
AIR SHROUD FAN	A6
BODY 1 FRONT	C9-10
BODY 2 REAR	C11-12
BODY FITTING	D1
BRAKE 1	B7-8
BRAKE 2	B9
BRAKE 3	B10
BUMPER	C8
CAMSHAFT VALVE	A5
CARBURETOR	A8
CARRIER	D2-3
CRANKCASE	A10
CRANKSHAFT PISTON	A4
CYLINDER HEAD	A3
ELECTRICAL 1	D7
ELECTRICAL 2	D8-9
ENGINE ASSEMBLY	A2
ENGINE MOUNT	A11
EXHAUST	A9
FRAME	B1
FRONT SUSPENSION WHEEL	B2-3
FUEL TANK	B6
GOVERNOR	B12
INTAKE	A7
PRIMARY CLUTCH	C1
REAR ARM SUSPENSION	A12
REAR AXLE MOUNT WHEEL	C6
SEAT	D4
SECONDARY SHEAVE	C2
SHIFTER CABLES	C7
STARTER GENERATOR	D5-6
STEERING	B4-5
TRANSMISSION	C3-5
~MODELS IN THIS CATALOG	D10

CONTINUED ON NEXT FRAME ►

TRANSMISSION



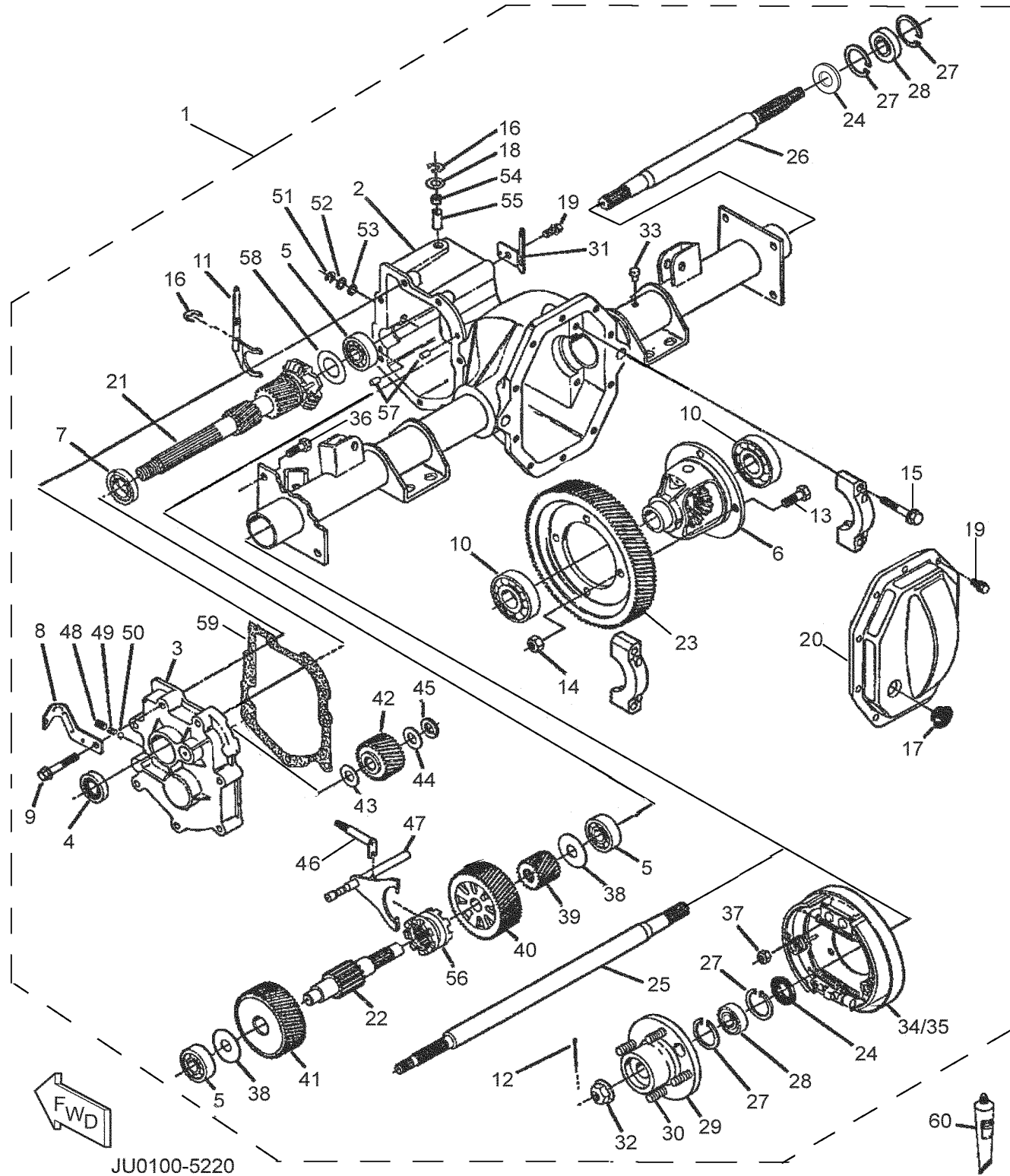
Ref. No.	Part Number	Description	Qty	Remarks
30	90114-12804-00	. . BOLT, SERRATION	8	
31	JN3-G6556-00-00	. BRACKET	1	
32	90185-19842-00	. NUT, SELF-LOCKING	2	
33	JH7-G5619-00-00	. CAP	1	
34	JN6-F7290-03-00	. BACKING PLATE, LEFT	1	
35	JN6-F7280-03-00	. BACKING PLATE, (RH)	1	
36	90101-08855-00	. BOLT, HEX	8	
37	90170-08841-00	. NUT, HEX	8	
38	90201-178H8-00	. WASHER, PLAIN	2	
39	JN3-G6316-00-00	. GEAR, PINION	1	
40	JR6-G6326-00-00	. GEAR, WHEEL 1	1	
41	JN3-G6327-00-00	. GEAR, WHEEL	1	
42	JN3-G6356-00-00	. GEAR, IDLER	1	
43	90201-208H9-00	. WASHER, PLATE	1	
44	90201-208J0-00	. WASHER, PLATE	1	
45	93440-20813-00	. CIRCLIP	1	
46	JN3-G638A-00-00	. BAR, SHIFT	1	
47	JN6-G638E-00-00	. BAR, SHIFT 2	1	
48	90113-08803-00	. BOLT, SET	1	
49	90501-10852-00	. SPRING, COMPRESSION	1	
50	93500-06826-00	. BALL	1	
51	93410-12822-00	. CIRCLIP	1	
52	90202-12807-00	. WASHER, PLAIN	1	
53	93104-11829-00	. OIL SEAL	1	
54	93109-10820-00	. OIL SEAL	1	
55	JU0-G6164-00-00	. BEARING 1	1	
56	JN3-G6153-00-00	. COLLAR, GUIDE	1	
57	93606-10842-00	. PIN, DOWEL	2	
58	JN3-G6344-00-00	. SHIM, 0.76MM (0.030IN)	1	
	JN3-G6344-10-00	. SHIM, 0.90MM (0.035IN)	1	

CONTENTS

ACCELERATOR	B11
AIR SHROUD FAN	A6
BODY 1 FRONT	C9-10
BODY 2 REAR	C11-12
BODY FITTING	D1
BRAKE 1	B7-8
BRAKE 2	B9
BRAKE 3	B10
BUMPER	C8
CAMSHAFT VALVE	A5
CARBURETOR	A8
CARRIER	D2-3
CRANKCASE	A10
CRANKSHAFT PISTON	A4
CYLINDER HEAD	A3
ELECTRICAL 1	D7
ELECTRICAL 2	D8-9
ENGINE ASSEMBLY	A2
ENGINE MOUNT	A11
EXHAUST	A9
FRAME	B1
FRONT SUSPENSION WHEEL	B2-3
FUEL TANK	B6
GOVERNOR	B12
INTAKE	A7
PRIMARY CLUTCH	C1
REAR ARM SUSPENSION	A12
REAR AXLE MOUNT WHEEL	C6
SEAT	D4
SECONDARY SHEAVE	C2
SHIFTER CABLES	C7
STARTER GENERATOR	D5-6
STEERING	B4-5
TRANSMISSION	C3-5
-MODELS IN THIS CATALOG	D10

CONTINUED ON NEXT FRAME >

TRANSMISSION



Ref. No.	Part Number	Description	Qty	Remarks
58	JN3-G6344-20-00	. SHIM, 1.00MM (0.040IN) 1	
	JN3-G6344-30-00	. SHIM, 1.14MM (0.045IN) 1	
	JN3-G6344-40-00	. SHIM, 1.27MM (0.050IN) 1	
	JN3-G6344-50-00	. SHIM, 1.39MM (0.055IN) 1	
	JN3-G6344-60-00	. SHIM, 1.52MM (0.060IN) 1	
	JN3-G6344-70-00	. SHIM, 1.65MM (0.065IN) 1	
	JN3-G6344-80-00	. SHIM, 0.38MM (0.015IN) 1	
	JN3-G6344-90-00	. SHIM, 1.78MM (0.070IN) 1	
	JN3-G6344-A0-00	. SHIM, 1.92MM (0.075IN) 1	
	JN3-G6344-B0-00	. SHIM, 2.03MM (0.080IN) 1	
	JN3-G6344-C0-00	. SHIM, 2.12MM (0.085IN) 1	
	JN3-G6344-D0-00	. SHIM, 2.29MM (0.090IN) 1	
59	JN3-G6319-00-00	. GASKET 1	
60	ACC-QUICK-GS-KT	SEALANT 1	

CONTENTS

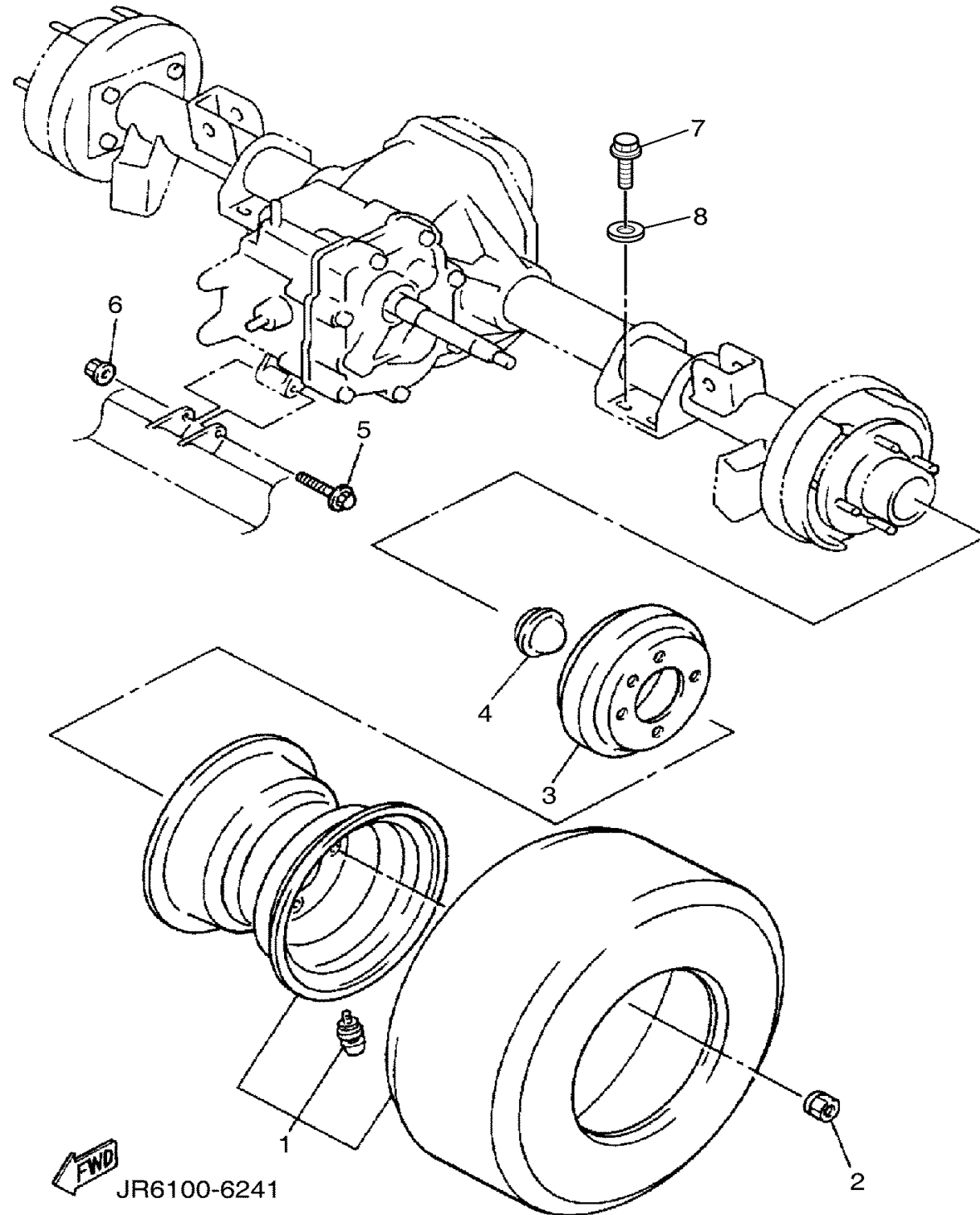
ACCELERATOR	B11
AIR SHROUD FAN	A6
BODY 1 FRONT	C9-10
BODY 2 REAR	C11-12
BODY FITTING	D1
BRAKE 1	B7-8
BRAKE 2	B9
BRAKE 3	B10
BUMPER	C8
CAMSHAFT VALVE	A5
CARBURETOR	A8
CARRIER	D2-3
CRANKCASE	A10
CRANKSHAFT PISTON	A4
CYLINDER HEAD	A3
ELECTRICAL 1	D7
ELECTRICAL 2	D8-9
ENGINE ASSEMBLY	A2
ENGINE MOUNT	A11
EXHAUST	A9
FRAME	B1
FRONT SUSPENSION WHEEL	B2-3
FUEL TANK	B6
GOVERNOR	B12
INTAKE	A7
PRIMARY CLUTCH	C1
REAR ARM SUSPENSION	A12
REAR AXLE MOUNT WHEEL	C6
SEAT	D4
SECONDARY SHEAVE	C2
SHIFTER CABLES	C7
STARTER GENERATOR	D5-6
STEERING	B4-5
TRANSMISSION	C3-5
-MODELS IN THIS CATALOG	D10

REAR AXLE MOUNT WHEEL

Ref. No.	Part Number	Description	Qty	Remarks
1	JR6-F5300-00-00	WHEEL ASSY	2	
2	90179-12262-00	NUT	8	
3	J55-G6521-10-00	DRUM	2	
4	JN6-G5118-00-00	COVER, HUB DUST	2	
5	95817-08075-00	BOLT, FLANGE	1	
6	90179-08491-00	NUT, FLANGE	1	
7	9751P-10420-00	BOLT, HEX HEAD WWASHER	8	
8	90201-10853-00	WASHER, PLAIN	8	

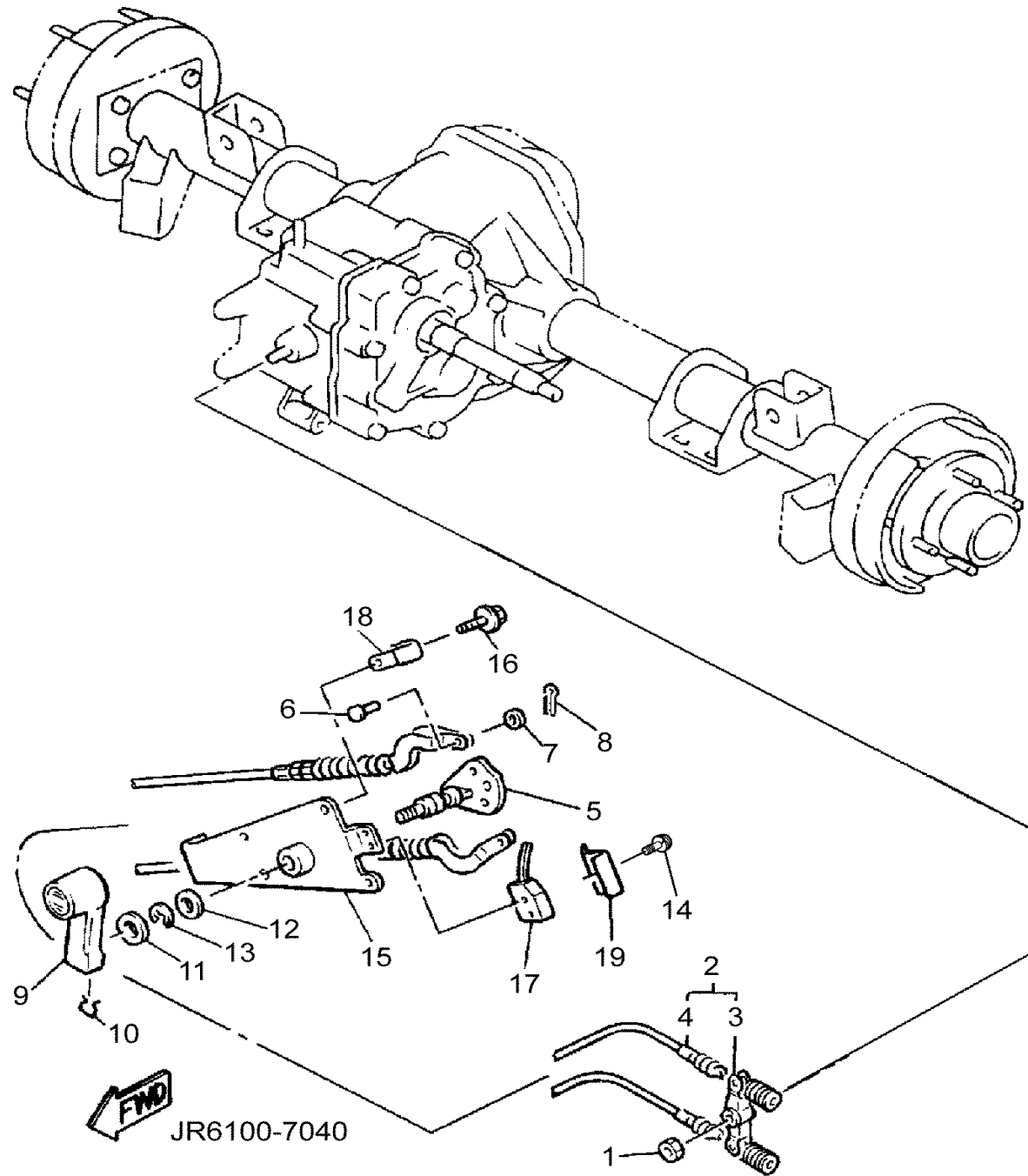
CONTENTS

ACCELERATOR	B11
AIR SHROUD FAN	A6
BODY 1 FRONT	C9-10
BODY 2 REAR	C11-12
BODY FITTING	D1
BRAKE 1	B7-8
BRAKE 2	B9
BRAKE 3	B10
BUMPER	C8
CAMSHAFT VALVE	A5
CARBURETOR	A8
CARRIER	D2-3
CRANKCASE	A10
CRANKSHAFT PISTON	A4
CYLINDER HEAD	A3
ELECTRICAL 1	D7
ELECTRICAL 2	D8-9
ENGINE ASSEMBLY	A2
ENGINE MOUNT	A11
EXHAUST	A9
FRAME	B1
FRONT SUSPENSION WHEEL	B2-3
FUEL TANK	B6
GOVERNOR	B12
INTAKE	A7
PRIMARY CLUTCH	C1
REAR ARM SUSPENSION	A12
REAR AXLE MOUNT WHEEL	C6
SEAT	D4
SECONDARY SHEAVE	C2
SHIFTER CABLES	C7
STARTER GENERATOR	D5-6
STEERING	B4-5
TRANSMISSION	C3-5
-MODELS IN THIS CATALOG	D10



C6

SHIFTER CABLES



Ref. No.	Part Number	Description	Qty	Remarks
1	95617-08100-00	NUT, U	1	
2	JJ3-G8330-01-00	SHIFT CABLE END ASSY	1	
3	J55-G6383-00-00	. LEVER, SHIFT	1	
4	JJ3-G6371-01-00	. WIRE, SHIFT	2	
5	JF2-46382-00-00	LEVER, SHIFT	1	
6	91701-06014-00	PIN, CLEVIS	2	
7	92907-06600-00	.WASHER, PLATE	2	
8	91490-20015-00	PIN, COTTER	2	
9	JN3-G6381-00-00	KNOB, SHIFT	1	
10	JN3-G6376-00-00	SPRING, SET	1	
11	90201-201L9-00	WASHER, PLAIN	1	
12	90201-19551-00	WASHER, PLAIN	1	
13	99009-19400-00	CIRCLIP	1	
14	97607-04325-00	SCREW, PANHEAD WWASHER	2	
15	JN3-G6372-00-00	BRACKET, SHIFT	1	
16	90105-06876-00	BOLT, FLANGE	4	
17	JN3-82617-00-00	SWITCH	1	
18	90465-06038-00	CLAMP	1	
19	JJ3-G6394-00-00	JOINT	1	

CONTENTS

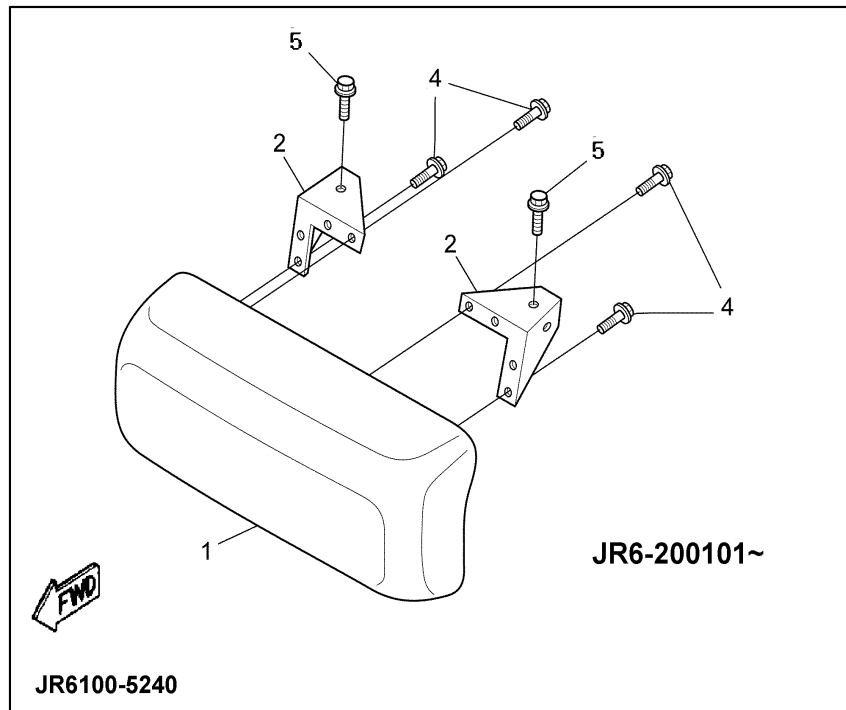
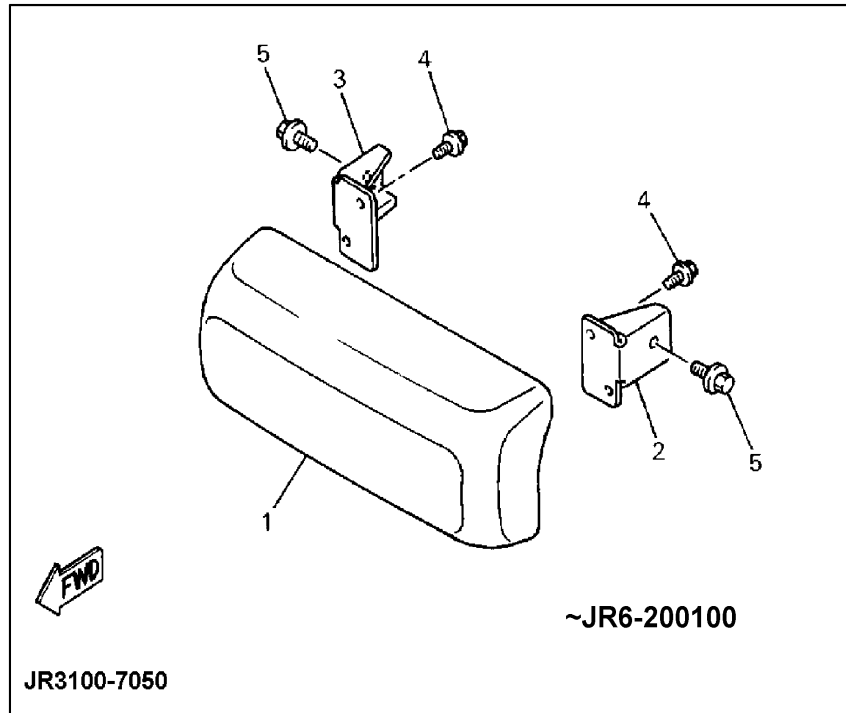
ACCELERATOR	B11
AIR SHROUD FAN	A6
BODY 1 FRONT	C9-10
BODY 2 REAR	C11-12
BODY FITTING	D1
BRAKE 1	B7-8
BRAKE 2	B9
BRAKE 3	B10
BUMPER	C8
CAMSHAFT VALVE	A5
CARBURETOR	A8
CARRIER	D2-3
CRANKCASE	A10
CRANKSHAFT PISTON	A4
CYLINDER HEAD	A3
ELECTRICAL 1	D7
ELECTRICAL 2	D8-9
ENGINE ASSEMBLY	A2
ENGINE MOUNT	A11
EXHAUST	A9
FRAME	B1
FRONT SUSPENSION WHEEL	B2-3
FUEL TANK	B6
GOVERNOR	B12
INTAKE	A7
PRIMARY CLUTCH	C1
REAR ARM SUSPENSION	A12
REAR AXLE MOUNT WHEEL	C6
SEAT	D4
SECONDARY SHEAVE	C2
SHIFTER CABLES	C7
STARTER GENERATOR	D5-6
STEERING	B4-5
TRANSMISSION	C3-5
-MODELS IN THIS CATALOG	D10

BUMPER

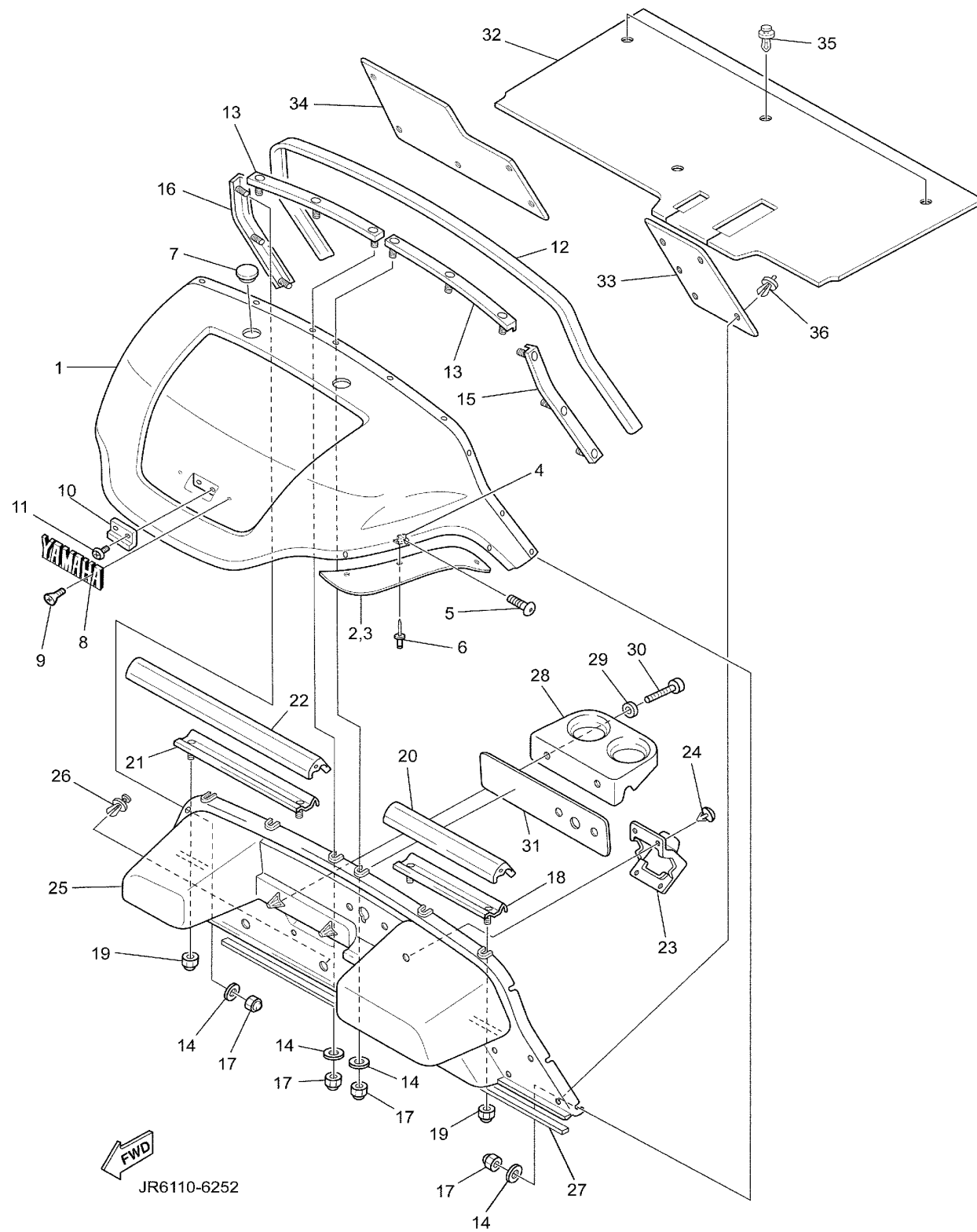
Ref. No.	Part Number	Description	Qty	Remarks
1	JN3-K7510-02-00	FRONT BUMPER COMP.	1	
2	JN3-K8164-00-00	STAY, FRONT BUMPER	1	~JR6-200100
	JN8-K8164-00-00	STAY, FRONT BUMPER	2	JR6-200101~
3	JN3-K8165-00-00	STAY, FRONT BUMPER	1	~JR6-200100
4	95817-06016-00	BOLT, FLANGE	4	
5	95817-08016-00	BOLT, FLANGE	2	

CONTENTS

ACCELERATOR	B11
AIR SHROUD FAN	A6
BODY 1 FRONT	C9-10
BODY 2 REAR	C11-12
BODY FITTING	D1
BRAKE 1	B7-8
BRAKE 2	B9
BRAKE 3	B10
BUMPER	C8
CAMSHAFT VALVE	A5
CARBURETOR	A8
CARRIER	D2-3
CRANKCASE	A10
CRANKSHAFT PISTON	A4
CYLINDER HEAD	A3
ELECTRICAL 1	D7
ELECTRICAL 2	D8-9
ENGINE ASSEMBLY	A2
ENGINE MOUNT	A11
EXHAUST	A9
FRAME	B1
FRONT SUSPENSION WHEEL	B2-3
FUEL TANK	B6
GOVERNOR	B12
INTAKE	A7
PRIMARY CLUTCH	C1
REAR ARM SUSPENSION	A12
REAR AXLE MOUNT WHEEL	C6
SEAT	D4
SECONDARY SHEAVE	C2
SHIFTER CABLES	C7
STARTER GENERATOR	D5-6
STEERING	B4-5
TRANSMISSION	C3-5
~MODELS IN THIS CATALOG	D10



BODY 1 FRONT



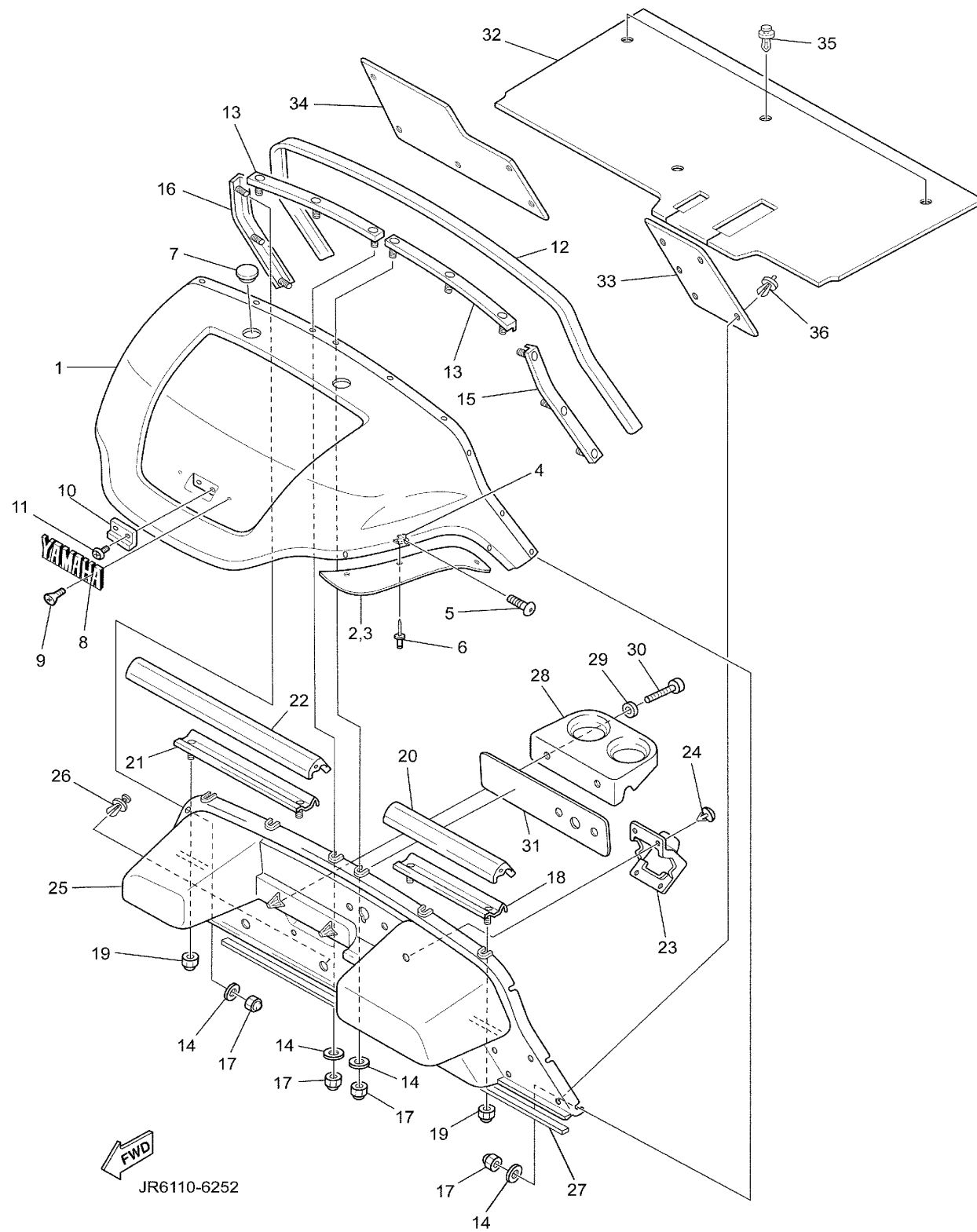
Ref. No.	Part Number	Description	Qty	Remarks
1	JU0-K8115-50-00	COWL, FRONT	1	HUNTER GREEN
	JU0-K8115-20-00	COWL, FRONT	1	GRAY
2	JR6-F1551-00-00	FENDER, OVER	1	
3	JR6-F1555-00-00	FENDER, OVER 2	1	
4	JR6-F1546-00-00	STAY, FENDER 3	6	
5	90110-06836-00	BOLT, HEXAGON SOCKET HEAD	6	
6	90267-48831-00	RIVET, BLIND (90267-48101-00)	6	
7	JN3-K818E-00-00	CAP, PROTECTOR	2	
8	JN6-F4161-01-00	EMBLEM, 1	1	
9	90162-04002-00	SCREW, OVAL C	2	
10	JF2-K811G-00-00	BOLT, COWL FITTING	1	
11	98980-06016-00	SCREW, BINDING	2	
12	JF2-K811V-00-00	PROTECTOR	1	
13	JF2-K8261-02-00	PLATE, BODY PROTECTOR	2	
14	90201-06840-00	PLATE, 1	12	
15	JF2-K8262-01-00	PLATE, BODY PROTECTOR	1	
16	JF2-K8263-01-00	PLATE, BODY PROTECTOR	1	
17	90185-06836-00	NUT, SELF-LOCKING	12	
18	JF2-K8264-00-00	PLATE, BODY PROTECTOR	1	
19	9560P-06200-00	NUT, FLANGE	2	
20	JF2-K811W-00-00	PROTECTOR 2	1	
21	JF2-K8265-00-00	PLATE, BODY PROTECTOR 5	1	
22	JF2-K811X-00-00	PROTECTOR 3	1	
23	JF2-78273-00-00	COVER, HOLE	1	
24	90269-11042-00	RIVET	4	
25	JF2-K8114-03-00	PANEL, FRONT	1	REPLACE REF. #31 LABEL WARNING 1 WITH PANEL FRONT
26	90269-08069-00	RIVET	3	
27	JN3-K815G-00-00	SEAL, FRONT STORAGE	1	

CONTENTS

ACCELERATOR	B11
AIR SHROUD FAN	A6
BODY 1 FRONT	C9-10
BODY 2 REAR	C11-12
BODY FITTING	D1
BRAKE 1	B7-8
BRAKE 2	B9
BRAKE 3	B10
BUMPER	C8
CAMSHAFT VALVE	A5
CARBURETOR	A8
CARRIER	D2-3
CRANKCASE	A10
CRANKSHAFT PISTON	A4
CYLINDER HEAD	A3
ELECTRICAL 1	D7
ELECTRICAL 2	D8-9
ENGINE ASSEMBLY	A2
ENGINE MOUNT	A11
EXHAUST	A9
FRAME	B1
FRONT SUSPENSION WHEEL	B2-3
FUEL TANK	B6
GOVERNOR	B12
INTAKE	A7
PRIMARY CLUTCH	C1
REAR ARM SUSPENSION	A12
REAR AXLE MOUNT WHEEL	C6
SEAT	D4
SECONDARY SHEAVE	C2
SHIFTER CABLES	C7
STARTER GENERATOR	D5-6
STEERING	B4-5
TRANSMISSION	C3-5
~MODELS IN THIS CATALOG	D10

CONTINUED ON NEXT FRAME ►

BODY 1 FRONT



Ref. No.	Part Number	Description	Qty	Remarks
28	JF2-K835E-00-00	HOLDER, BEVERAGE	1	
29	90201-068R6-00	WASHER, PLATE	2	
30	97707-60130-00	SCREW, PAN HEAD	2	
31	JR6-K7761-00-00	LABEL, WARNING 1	1	REPLACE WITH REF. # 25 PANEL FRONT
32	JN6-K8233-01-00	MAT, MAIN FLOOR 3	1	
33	JN6-K8231-01-00	MAT, MAIN FLOOR 1	1	
34	JN6-K8232-01-00	MAT, MAIN FLOOR 2	1	
35	90269-08813-00	RIVET	4	
36	90267-63047-00	RIVET, BLIND	9	

CONTENTS

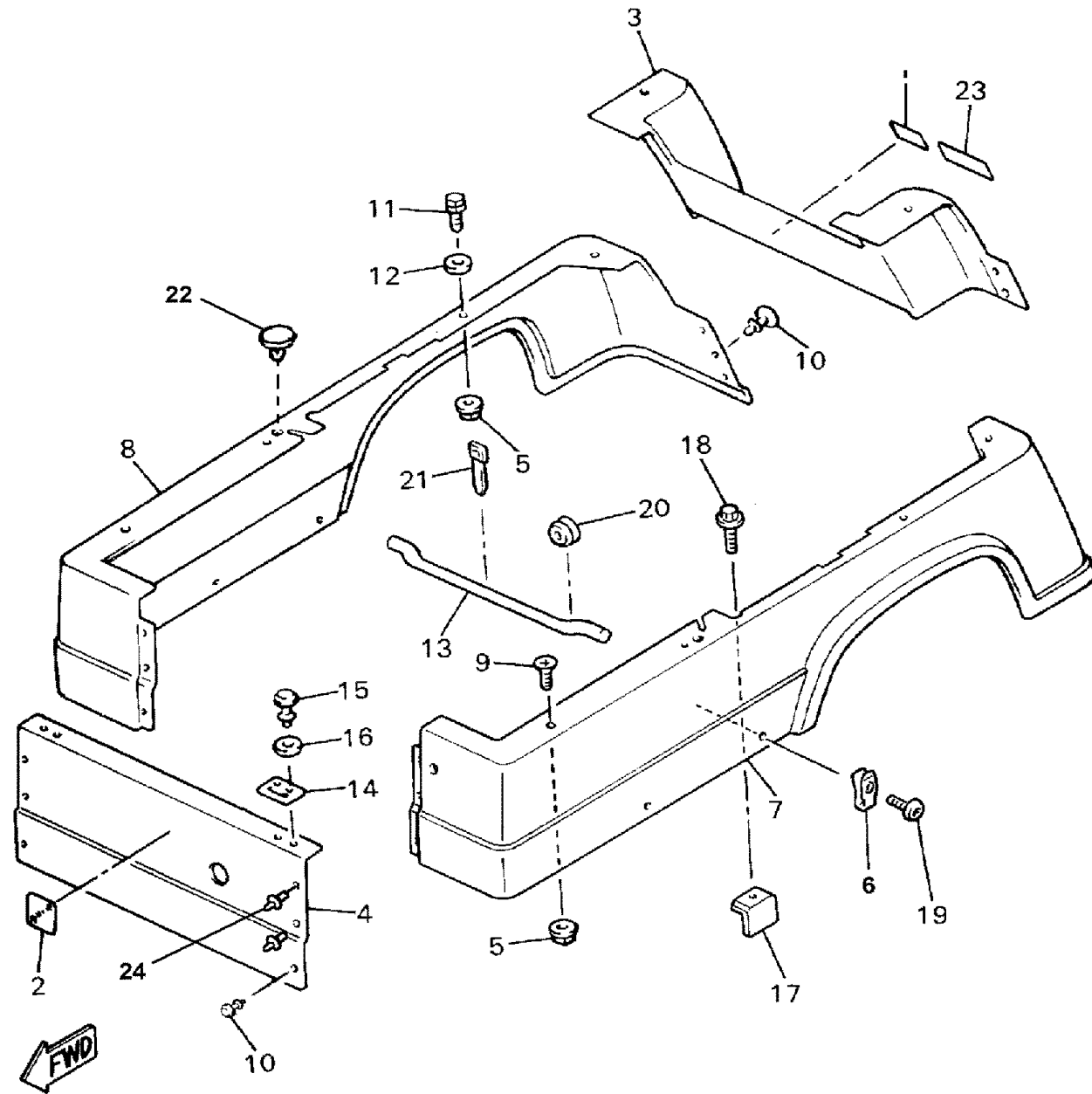
ACCELERATOR	B11
AIR SHROUD FAN	A6
BODY 1 FRONT	C9-10
BODY 2 REAR	C11-12
BODY FITTING	D1
BRAKE 1	B7-8
BRAKE 2	B9
BRAKE 3	B10
BUMPER	C8
CAMSHAFT VALVE	A5
CARBURETOR	A8
CARRIER	D2-3
CRANKCASE	A10
CRANKSHAFT PISTON	A4
CYLINDER HEAD	A3
ELECTRICAL 1	D7
ELECTRICAL 2	D8-9
ENGINE ASSEMBLY	A2
ENGINE MOUNT	A11
EXHAUST	A9
FRAME	B1
FRONT SUSPENSION WHEEL	B2-3
FUEL TANK	B6
GOVERNOR	B12
INTAKE	A7
PRIMARY CLUTCH	C1
REAR ARM SUSPENSION	A12
REAR AXLE MOUNT WHEEL	C6
SEAT	D4
SECONDARY SHEAVE	C2
SHIFTER CABLES	C7
STARTER GENERATOR	D5-6
STEERING	B4-5
TRANSMISSION	C3-5
~MODELS IN THIS CATALOG	D10

BODY 2 REAR

Ref. No.	Part Number	Description	Qty	Remarks
1	JJ3-K7765-00-00	LABEL, WARNING 5	1	SEE NOTE A
2	JN3-K7741-00-00	INDICATOR	1	SEE NOTE B
3	JJ3-K8142-11-00	PANEL, REAR BODY (GRAY)	1	GRAY, SEE NOTE A
	JJ3-K8142-50-00	PANEL, REAR BODY (HUNTER GREEN)	1	HUNTER GREEN, SEE NOTE A
4	JJ3-K8141-50-00	PANEL, INTERMEDIATE BODY	1	HUNTER GREEN, SEE NOTE B
	JJ3-K8141-11-00	PANEL, INTERMEDIATE BODY	1	GRAY, SEE NOTE B
5	90183-06810-00	NUT, SPRING	10	
6	90183-06811-00	NUT, SPRING	4	
7	JJ3-K8111-51-00	PANEL, BODY SHELL (HUNTER GREEN)	1	HUNTER GREEN
	JJ3-K8111-14-00	PANEL, BODY SHELL (GRAY)	1	GRAY
8	JJ3-K8112-51-00	PANEL, BODY SHELL (HUNTER GREEN)	1	HUNTER GREEN
	JJ3-K8112-14-00	PANEL, BODY SHELL (GRAY)	1	GRAY
9	98780-06020-00	SCREW, COUNTERSUNK	2	
10	90267-62841-00	RIVET, BLIND	6	
11	90119-06837-00	BOLT, WITH WASHER	8	
12	90201-068R8-00	WASHER, PLATE	8	
13	JJ3-K8226-00-00	ROD, SEAT STOPPER	1	
14	JJ3-K8427-01-00	HINGE, SEAT 2	2	
15	90267-64834-00	RIVET, BLIND	4	
16	90201-088S1-00	WASHER, PLATE	4	
17	JJ3-K814H-00-00	HOOK, BODY LOCK	2	
18	90119-08800-00	BOLT, HEX. WITH WASHER	2	
19	90110-06836-00	BOLT, HEXAGON SOCKET HEAD	4	
20	90480-13018-00	GROMMET	1	
21	90464-10814-00	CLAMP	1	
22	4XE-F4747-00-00	DAMPER, SEAT	2	

CONTENTS

ACCELERATOR	B11
AIR SHROUD FAN	A6
BODY 1 FRONT	C9-10
BODY 2 REAR	C11-12
BODY FITTING	D1
BRAKE 1	B7-8
BRAKE 2	B9
BRAKE 3	B10
BUMPER	C8
CAMSHAFT VALVE	A5
CARBURETOR	A8
CARRIER	D2-3
CRANKCASE	A10
CRANKSHAFT PISTON	A4
CYLINDER HEAD	A3
ELECTRICAL 1	D7
ELECTRICAL 2	D8-9
ENGINE ASSEMBLY	A2
ENGINE MOUNT	A11
EXHAUST	A9
FRAME	B1
FRONT SUSPENSION WHEEL	B2-3
FUEL TANK	B6
GOVERNOR	B12
INTAKE	A7
PRIMARY CLUTCH	C1
REAR ARM SUSPENSION	A12
REAR AXLE MOUNT WHEEL	C6
SEAT	D4
SECONDARY SHEAVE	C2
SHIFTER CABLES	C7
STARTER GENERATOR	D5-6
STEERING	B4-5
TRANSMISSION	C3-5
-MODELS IN THIS CATALOG	D10



JJ3110-6261

NOTE A: When replacing Panel Rear Body, you must also replace Label Warning 5 and Label Warning 8.

NOTE B: When replacing Panel Intermediate Body, you must also replace Indicator 1.

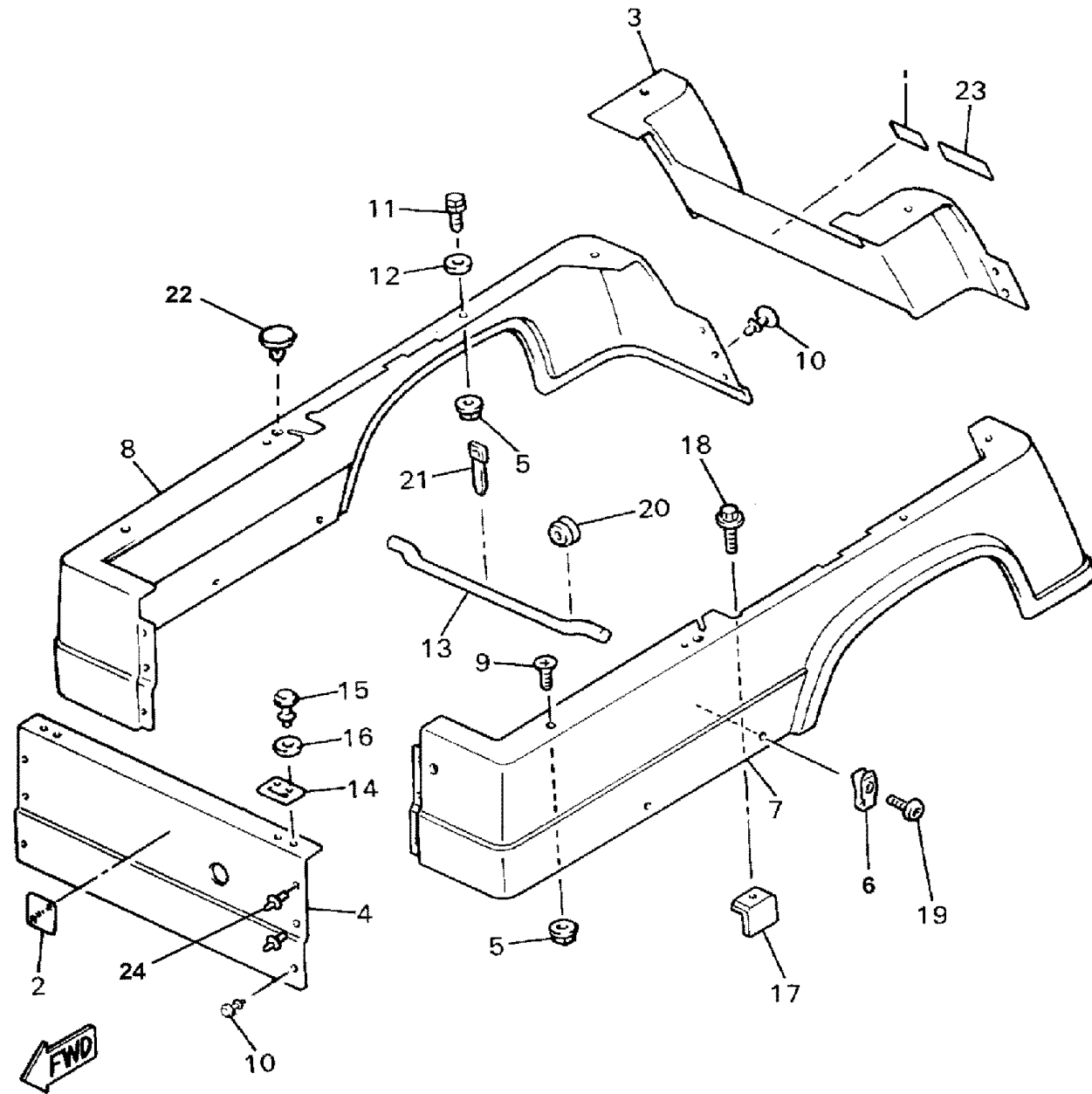
CONTINUED ON NEXT FRAME ►

BODY 2 REAR

Ref. No.	Part Number	Description	Qty	Remarks
23	JJ3-K7768-00-00	LABEL, WARNING	1	SEE NOTE A
24	90267-36853-00	RIVET, BLIND	4	

CONTENTS

ACCELERATOR	B11
AIR SHROUD FAN	A6
BODY 1 FRONT	C9-10
BODY 2 REAR	C11-12
BODY FITTING	D1
BRAKE 1	B7-8
BRAKE 2	B9
BRAKE 3	B10
BUMPER	C8
CAMSHAFT VALVE	A5
CARBURETOR	A8
CARRIER	D2-3
CRANKCASE	A10
CRANKSHAFT PISTON	A4
CYLINDER HEAD	A3
ELECTRICAL 1	D7
ELECTRICAL 2	D8-9
ENGINE ASSEMBLY	A2
ENGINE MOUNT	A11
EXHAUST	A9
FRAME	B1
FRONT SUSPENSION WHEEL	B2-3
FUEL TANK	B6
GOVERNOR	B12
INTAKE	A7
PRIMARY CLUTCH	C1
REAR ARM SUSPENSION	A12
REAR AXLE MOUNT WHEEL	C6
SEAT	D4
SECONDARY SHEAVE	C2
SHIFTER CABLES	C7
STARTER GENERATOR	D5-6
STEERING	B4-5
TRANSMISSION	C3-5
-MODELS IN THIS CATALOG	D10

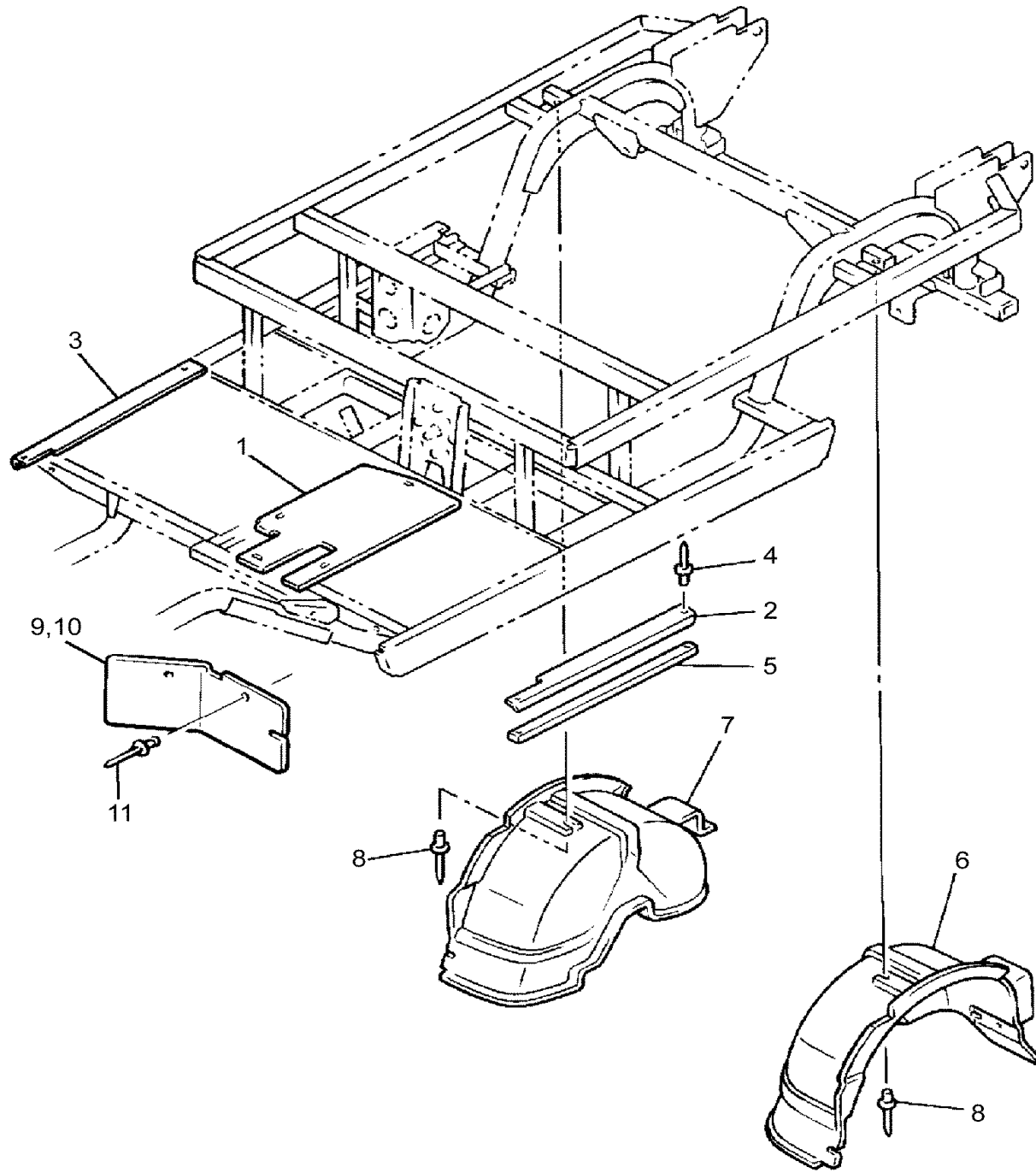


JJ3110-6261

NOTE A: When replacing Panel Rear Body, you must also replace Label Warning 5 and Label Warning 8.

NOTE B: When replacing Panel Intermediate Body, you must also replace Indicator 1.

BODY FITTING



Ref. No.	Part Number	Description	Qty	Remarks
1	JN6-K8271-00-00	SERVICE LID	1	
2	JF2-K8215-10-00	PLATE, SIDE TRIM	1	
3	JF2-K821F-10-00	PLATE, SIDE TRIM	1	
4	90267-48154-00	RIVET, BLIND	4	
5	JJ3-K8124-00-00	REINFORCEMENT 4	2	
6	JJ3-K8191-00-00	PANEL, REAR FENDER 1	1	
7	JJ3-K8192-00-00	PANEL, REAR FENDER 2	1	
8	90267-48831-00	RIVET, BLIND (90267-48101-00)	6	
9	JF2-K8187-00-00	FLAP, FRONT FENDER LEFT .	1	
10	JF2-K9189-00-00	FLAP, FRONT FENDER RIGHT	1	
11	90267-48831-00	RIVET, BLIND (90267-48101-00)	4	

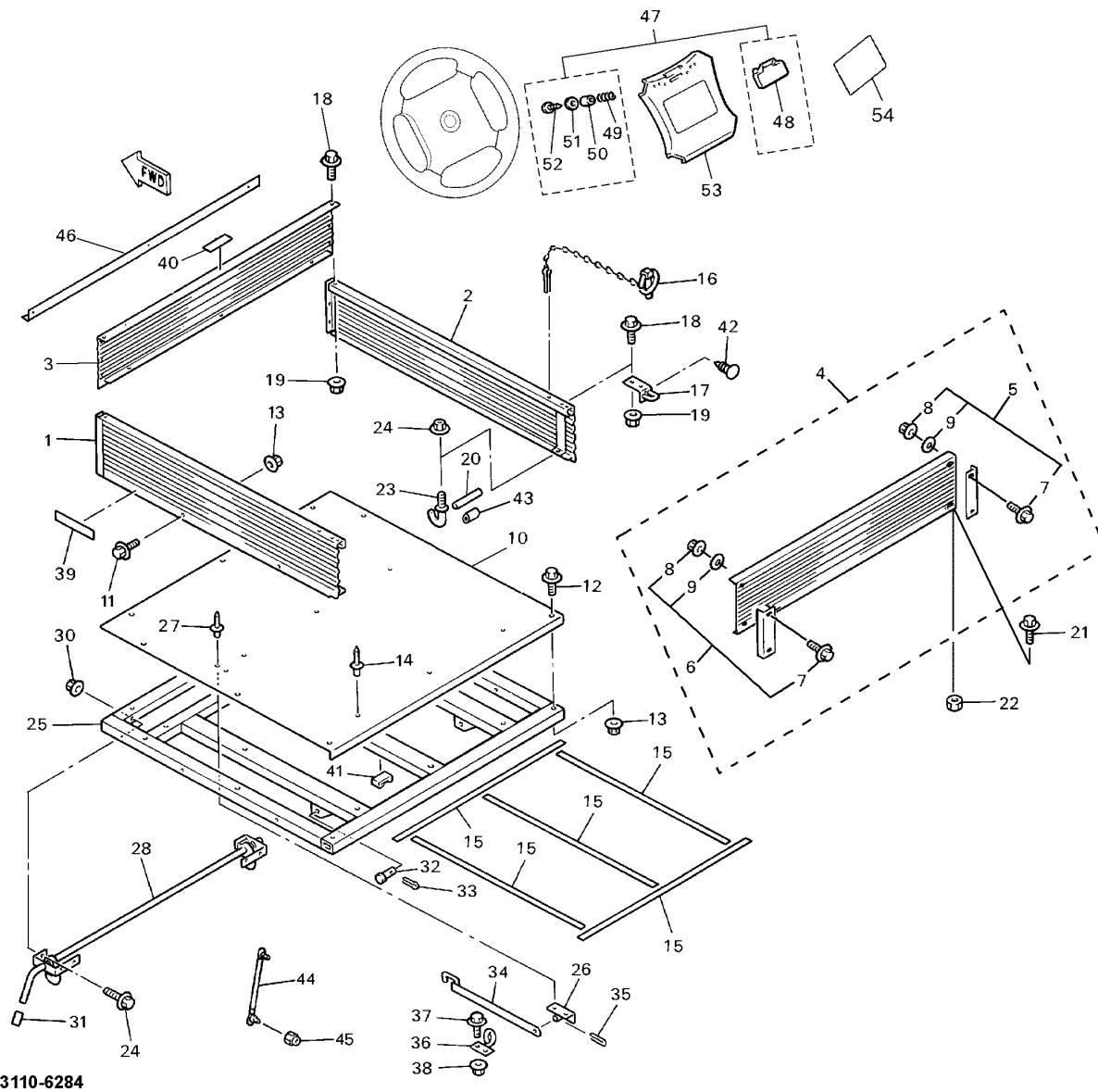
CONTENTS

ACCELERATOR	B11
AIR SHROUD FAN	A6
BODY 1 FRONT	C9-10
BODY 2 REAR	C11-12
BODY FITTING	D1
BRAKE 1	B7-8
BRAKE 2	B9
BRAKE 3	B10
BUMPER	C8
CAMSHAFT VALVE	A5
CARBURETOR	A8
CARRIER	D2-3
CRANKCASE	A10
CRANKSHAFT PISTON	A4
CYLINDER HEAD	A3
ELECTRICAL 1	D7
ELECTRICAL 2	D8-9
ENGINE ASSEMBLY	A2
ENGINE MOUNT	A11
EXHAUST	A9
FRAME	B1
FRONT SUSPENSION WHEEL	B2-3
FUEL TANK	B6
GOVERNOR	B12
INTAKE	A7
PRIMARY CLUTCH	C1
REAR ARM SUSPENSION	A12
REAR AXLE MOUNT WHEEL	C6
SEAT	D4
SECONDARY SHEAVE	C2
SHIFTER CABLES	C7
STARTER GENERATOR	D5-6
STEERING	B4-5
TRANSMISSION	C3-5
~MODELS IN THIS CATALOG	D10



JR3100-7060

CARRIER



NOTE A: When replacing Side Panel Comp (LH), you must also replace the Label Warning 4.

NOTE B: When replacing Panel Dash 2, you must also replace th Label Warning 6.

NOTE C: When replacing Holder 1, you must also replace Label Warning 2.

Ref. No.	Part Number	Description	Qty	Remarks
1	JJ3-K810F-00-00	SIDE PANEL COMP. (LH)	1	SEE NOTE A
2	JJ3-K810G-00-00	SIDE PANEL COMP. (RH)	1	
3	JJ3-K7782-00-00	PANEL, DASH 2	1	SEE NOTE B
4	JJ3-K810N-01-00	REAR STORAGE LID COMP.	1	
5	JJ3-K8117-01-00	. TRIM, REAR BODY 1	1	
6	JJ3-K824F-01-00	. TRIM, REAR BODY 2	1	
7	90119-08808-00	. . BOLT, HEX.	4	
8	9560P-08200-00	. . NUT	4	
9	90201-088S2-00	. . WASHER, PLATE	4	
10	JJ3-K8117-00-00	PLATE 1	1	
11	90119-08808-00	BOLT, HEX.	19	
12	90119-08806-00	BOLT, WITH WASHER	2	
13	9560P-08200-00	NUT	21	
14	90267-64844-00	RIVET, BLIND	6	
15	JJ3-K821A-00-00	PAD, BODY MOUNTING 1	5	
16	JR3-K8156-00-00	STOPPER, LOCK	2	
17	JJ3-K8317-01-00	RING, HOOK	2	
18	90119-06830-00	BOLT, HEX. W/WASHER	6	
19	95607-06200-00	NUT, SELF U-FLANGE	6	
20	JJ3-K8384-00-00	BOLT	2	
21	97017-06020-00	BOLT	4	
22	9538R-06700-00	NUT	4	
23	JJ3-K8385-01-00	BOLT 2	2	
24	9560P-08200-00	NUT	2	
25	JJ3-K818N-01-00	BED, BOX	1	
26	JJ3-K8376-00-00	SUPPORT 2	1	
27	90267-64844-00	RIVET, BLIND	2	
28	JJ3-K8380-02-00	LOCK ASSEMBLY	1	
29	95817-08020-00	BOLT, FLANGE	6	
30	9560P-08200-00	NUT	2	

CONTENTS

ACCELERATOR	B11
AIR SHROUD FAN	A6
BODY 1 FRONT	C9-10
BODY 2 REAR	C11-12
BODY FITTING	D1
BRAKE 1	B7-8
BRAKE 2	B9
BRAKE 3	B10
BUMPER	C8
CAMSHAFT VALVE	A5
CARBURETOR	A8
CARRIER	D2-3
CRANKCASE	A10
CRANKSHAFT PISTON	A4
CYLINDER HEAD	A3
ELECTRICAL 1	D7
ELECTRICAL 2	D8-9
ENGINE ASSEMBLY	A2
ENGINE MOUNT	A11
EXHAUST	A9
FRAME	B1
FRONT SUSPENSION WHEEL	B2-3
FUEL TANK	B6
GOVERNOR	B12
INTAKE	A7
PRIMARY CLUTCH	C1
REAR ARM SUSPENSION	A12
REAR AXLE MOUNT WHEEL	C6
SEAT	D4
SECONDARY SHEAVE	C2
SHIFTER CABLES	C7
STARTER GENERATOR	D5-6
STEERING	B4-5
TRANSMISSION	C3-5
-MODELS IN THIS CATALOG	D10

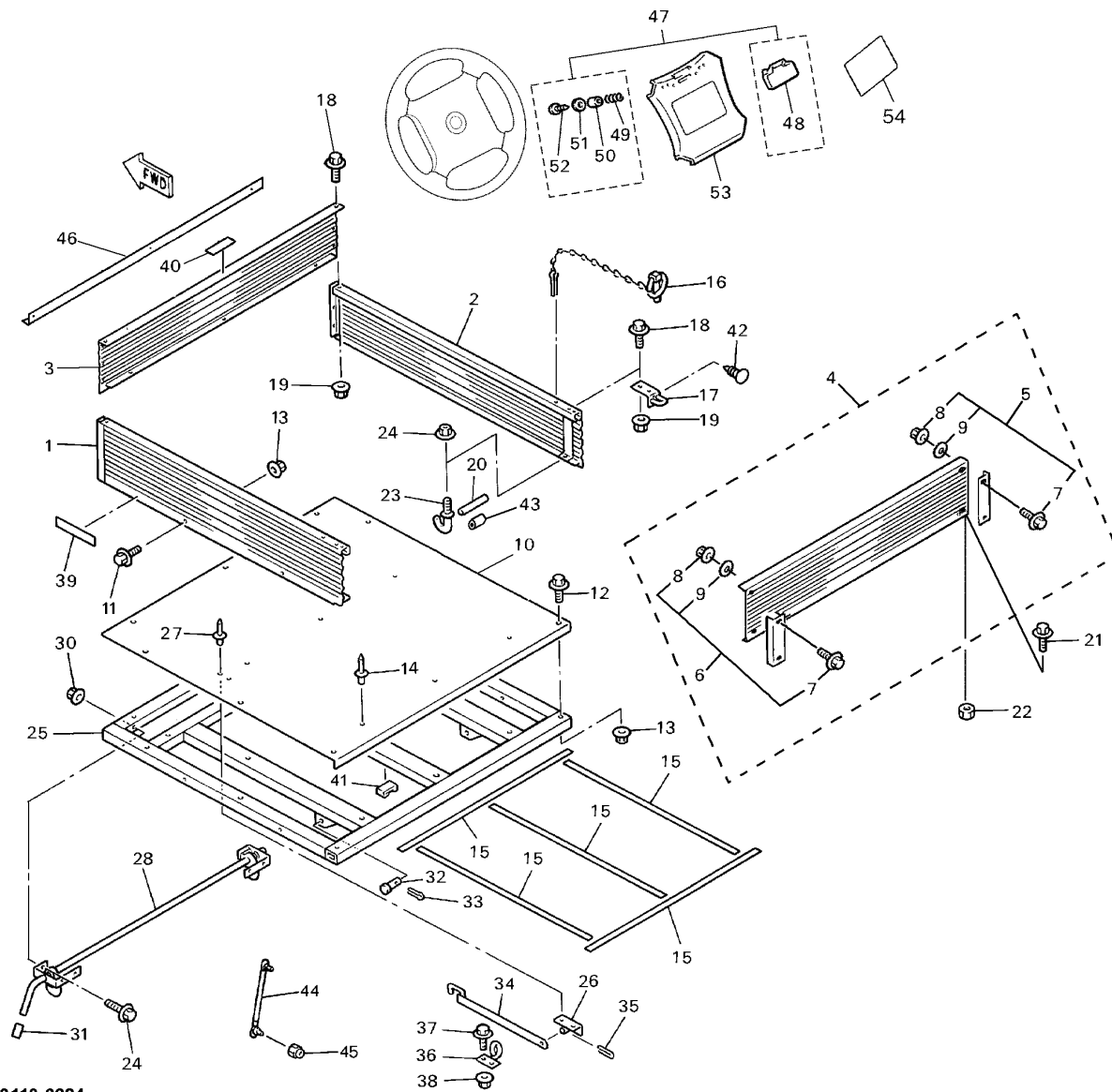
CONTINUED ON NEXT FRAME ►

CARRIER

Ref. No.	Part Number	Description	Qty	Remarks
31	JJ3-K818M-00-00	CAP, PROTECTOR END 4	1	
32	90240-13808-00	PIN, CLEVIS	2	
33	91490-30030-00	PIN, COTTER	2	
34	JJ3-K8158-01-00	ROD, INSPECTION LID	1	
35	91490-20025-00	PIN, SPLIT	1	
36	JJ3-K8369-00-00	PIN, LEVER	1	
37	90338-05830-00	PLUG	2	
38	95607-06200-00	NUT, SELF U-FLANGE	2	
39	JJ3-K7764-01-00	LABEL, WARNING 4	1	SEE NOTE A
40	JJ3-K7766-01-00	LABEL, WARNING 6	1	SEE NOTE B
41	JJ3-K815H-01-00	DAMPER, LOCK	3	
42	90338-05830-00	PLUG	4	
43	JR3-K8316-00-00	DAMPER	2	
44	JJ3-K7588-00-00	DAMPER 1	1	
45	9560P-08200-00	NUT	2	
46	JR3-K8323-00-00	BRACKET, 1	1	
47	JN6-K8358-00-KT	SCOREBOARD HOLDER KIT	1	
48	JN6-K8358-01-00	. HOLDER, 2	1	
49	90502-10013-00	. SPRING, CONICAL	2	
50	90387-046N7-00	. COLLAR	2	
51	90201-044H9-00	. WASHER, PLAIN	2	
52	97707-40625-00	. SCREW, PAN HEAD	2	
53	JN3-K8357-00-00	HOLDER	1	SEE NOTE C
54	JN3-K7762-01-00	LABEL, WARNING	1	INCLUDE WHEN REPLACING HOLDER 1.

CONTENTS

ACCELERATOR	B11
AIR SHROUD FAN	A6
BODY 1 FRONT	C9-10
BODY 2 REAR	C11-12
BODY FITTING	D1
BRAKE 1	B7-8
BRAKE 2	B9
BRAKE 3	B10
BUMPER	C8
CAMSHAFT VALVE	A5
CARBURETOR	A8
CARRIER	D2-3
CRANKCASE	A10
CRANKSHAFT PISTON	A4
CYLINDER HEAD	A3
ELECTRICAL 1	D7
ELECTRICAL 2	D8-9
ENGINE ASSEMBLY	A2
ENGINE MOUNT	A11
EXHAUST	A9
FRAME	B1
FRONT SUSPENSION WHEEL	B2-3
FUEL TANK	B6
GOVERNOR	B12
INTAKE	A7
PRIMARY CLUTCH	C1
REAR ARM SUSPENSION	A12
REAR AXLE MOUNT WHEEL	C6
SEAT	D4
SECONDARY SHEAVE	C2
SHIFTER CABLES	C7
STARTER GENERATOR	D5-6
STEERING	B4-5
TRANSMISSION	C3-5
-MODELS IN THIS CATALOG	D10



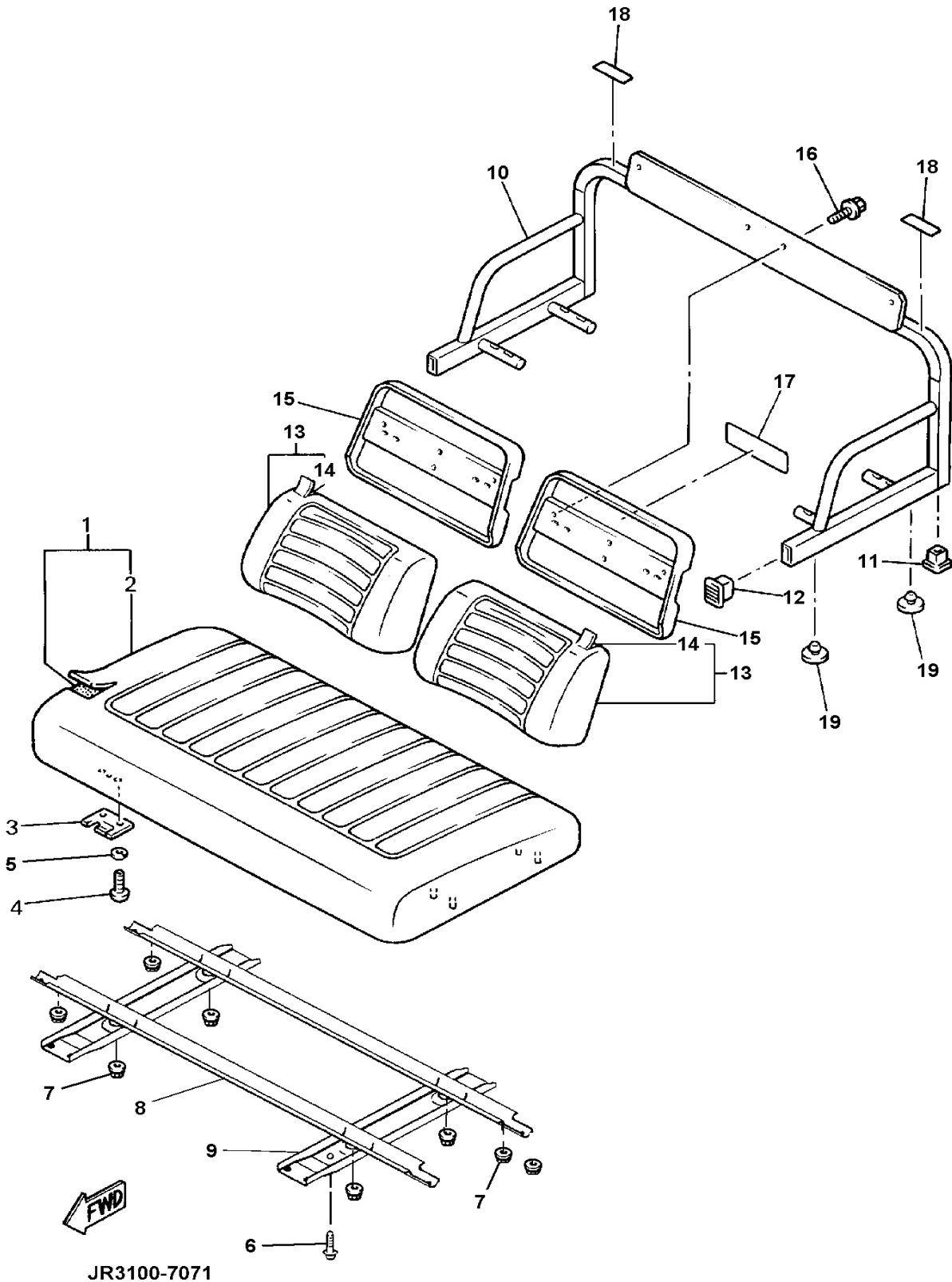
JJ3110-6284

NOTE A: When replacing Side Panel Comp (LH), you must also replace the Label Warning 4.

NOTE B: When replacing Panel Dash 2, you must also replace th Label Warning 6.

NOTE C: When replacing Holder 1, you must also replace Label Warning 2.

SEAT

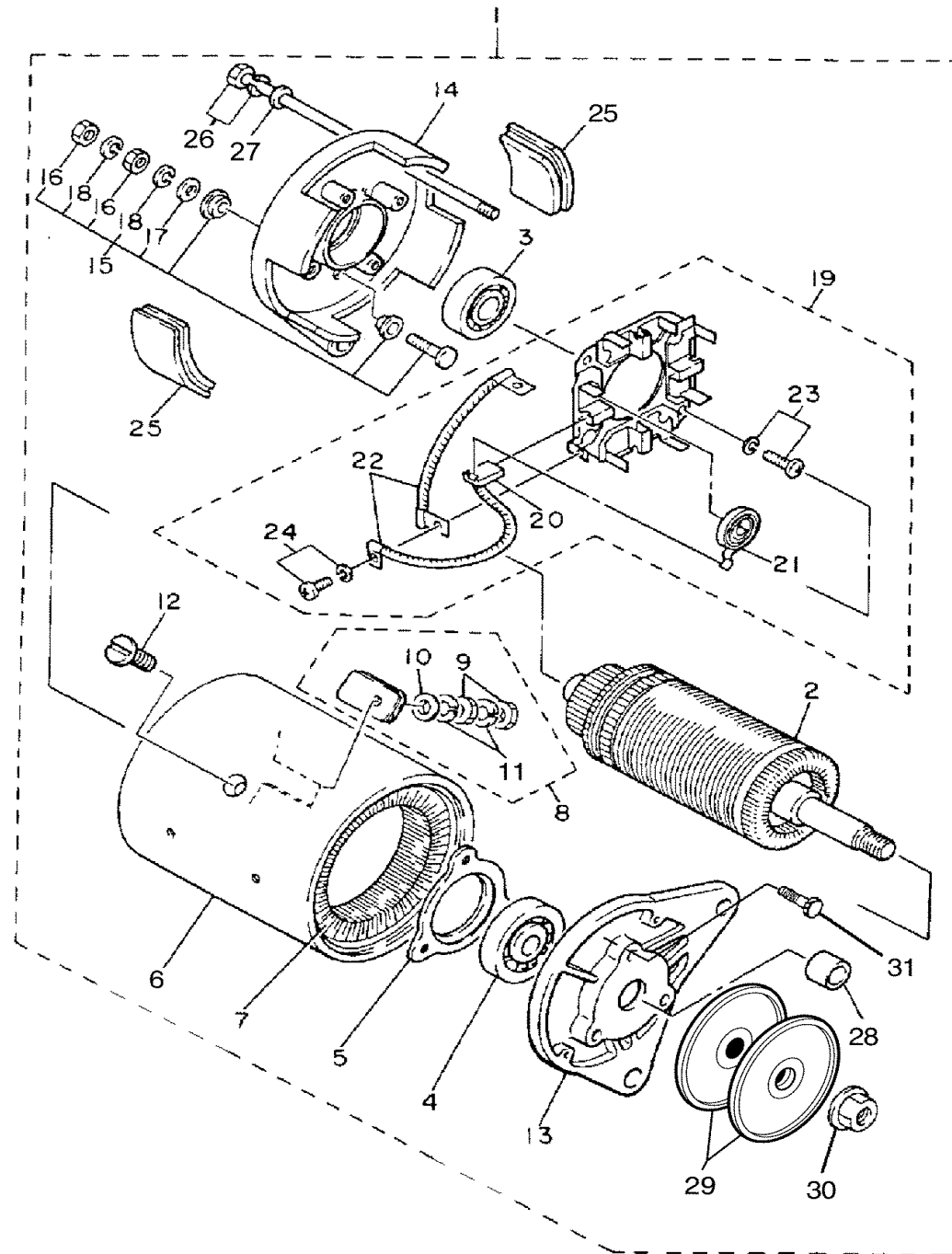


Ref. No.	Part Number	Description	Qty	Remarks
1	JN6-K8401-10-00	CUSHION, SEAT	1	
2	JN6-K8404-10-00	. COVER, SEAT	1	
3	JN3-K8426-01-00	HINGE, SEAT MALE	2	
4	90111-06810-00	BOLT, BUTTON	4	
5	90204-06807-00	WASHER, SPRING	4	
6	90167-04815-00	SCREW, P/H TAPPING	4	
7	9560P-08200-00	NUT	12	
8	JN6-K8121-00-00	REINFORCEMENT 1	2	
9	JN6-K8122-01-00	REINFORCEMENT 2	2	
10	JJ3-K8420-20-00	SEAT ASSY 2	1	ALSO REPLACE WARNING LABEL 3 WITH SEAT ASSY 2
11	5FU-F111A-00-00	CAP, MAIN PIPE	2	
12	JJ3-K8139-00-00	CAP, END	2	
13	JR3-K8402-10-00	SEAT SUB ASSY, BACK	2	
14	JR3-K841G-09-00	. COVER, SEAT BACK 2	2	
15	JJ3-K8413-10-00	COVER, SEAT BACK	2	ALSO REPLACE WARNING LABEL 2
16	90119-06837-00	BOLT, WITH WASHER	4	
17	JJ3-K7762-00-00	LABEL, WARNING 2	1	REPLACE WHEN REPLACING COVER SEAT BACK
18	JJ3-K7763-00-00	LABEL, WARNING 3	2	REPLACE WHEN REPLACING SEAT ASSY 2
19	JJ3-K8433-01-00	DAMPER, SEAT SUPPORT	4	

CONTENTS

ACCELERATOR	B11
AIR SHROUD FAN	A6
BODY 1 FRONT	C9-10
BODY 2 REAR	C11-12
BODY FITTING	D1
BRAKE 1	B7-8
BRAKE 2	B9
BRAKE 3	B10
BUMPER	C8
CAMSHAFT VALVE	A5
CARBURETOR	A8
CARRIER	D2-3
CRANKCASE	A10
CRANKSHAFT PISTON	A4
CYLINDER HEAD	A3
ELECTRICAL 1	D7
ELECTRICAL 2	D8-9
ENGINE ASSEMBLY	A2
ENGINE MOUNT	A11
EXHAUST	A9
FRAME	B1
FRONT SUSPENSION WHEEL	B2-3
FUEL TANK	B6
GOVERNOR	B12
INTAKE	A7
PRIMARY CLUTCH	C1
REAR ARM SUSPENSION	A12
REAR AXLE MOUNT WHEEL	C6
SEAT	D4
SECONDARY SHEAVE	C2
SHIFTER CABLES	C7
STARTER GENERATOR	D5-6
STEERING	B4-5
TRANSMISSION	C3-5
-MODELS IN THIS CATALOG	D10

STARTER GENERATOR



Ref. No.	Part Number	Description	Qty	Remarks
1	JN6-H1100-03-00	STARTER GENERATOR ASSY	1	
2	JN3-H1150-00-00	. ARMATURE ASSEMBLY	1	
3	93306-20226-00	. BEARING 1 (6202 SD)	1	
4	J10-81158-10-00	. BEARING 2 (6203 SD)	1	
5	J10-81159-10-00	. HOLDER, BEARING	1	
6	JN6-H1110-10-00	. STATOR ASSY	1	
7	JN6-H1160-10-00	. FIELD COIL ASSY	1	
8	J10-81148-10-00	. SCREW	2	
9	95380-06600-00	.. NUT	4	
10	92990-06600-00	.. WASHER, PLATE	2	
11	92995-06100-00	.. WASHER, SPRING	4	
12	J10-81146-10-00	. SCREW	4	
13	J38-81165-10-00	. BRACKET, STARTER GENERATOR 1	1	
14	J10-81166-10-00	. BRACKET, STARTER GENERATOR 2	1	
15	J10-81147-10-00	. SCREW	2	
16	95380-06600-00	. NUT	4	
17	92990-06600-00	. WASHER, PLATE	2	
18	92995-06100-00	. WASHER, SPRING	4	
19	JF2-81119-00-00	. BRUSH HOLDER ASSEMBLY	1	
20	JF2-81111-00-00	.. BRUSH	4	
21	J38-81113-00-00	.. SPRING, BRUSH	4	
22	J10-81115-10-00	.. WIRE, LEAD	2	
23	98507-05016-00	.. SCREW, PAN HEAD	2	
24	98580-04010-00	.. SCREW, PAN HEAD	4	
25	J10-81129-10-00	. COVER, BRUSH	4	
26	J10-81145-10-00	. SCREW	2	
27	92990-06600-00	. WASHER, PLATE	2	
28	JN3-H1661-00-00	. SPACER	1	
29	JN3-H1161-00-00	. PULLEY	2	

CONTENTS

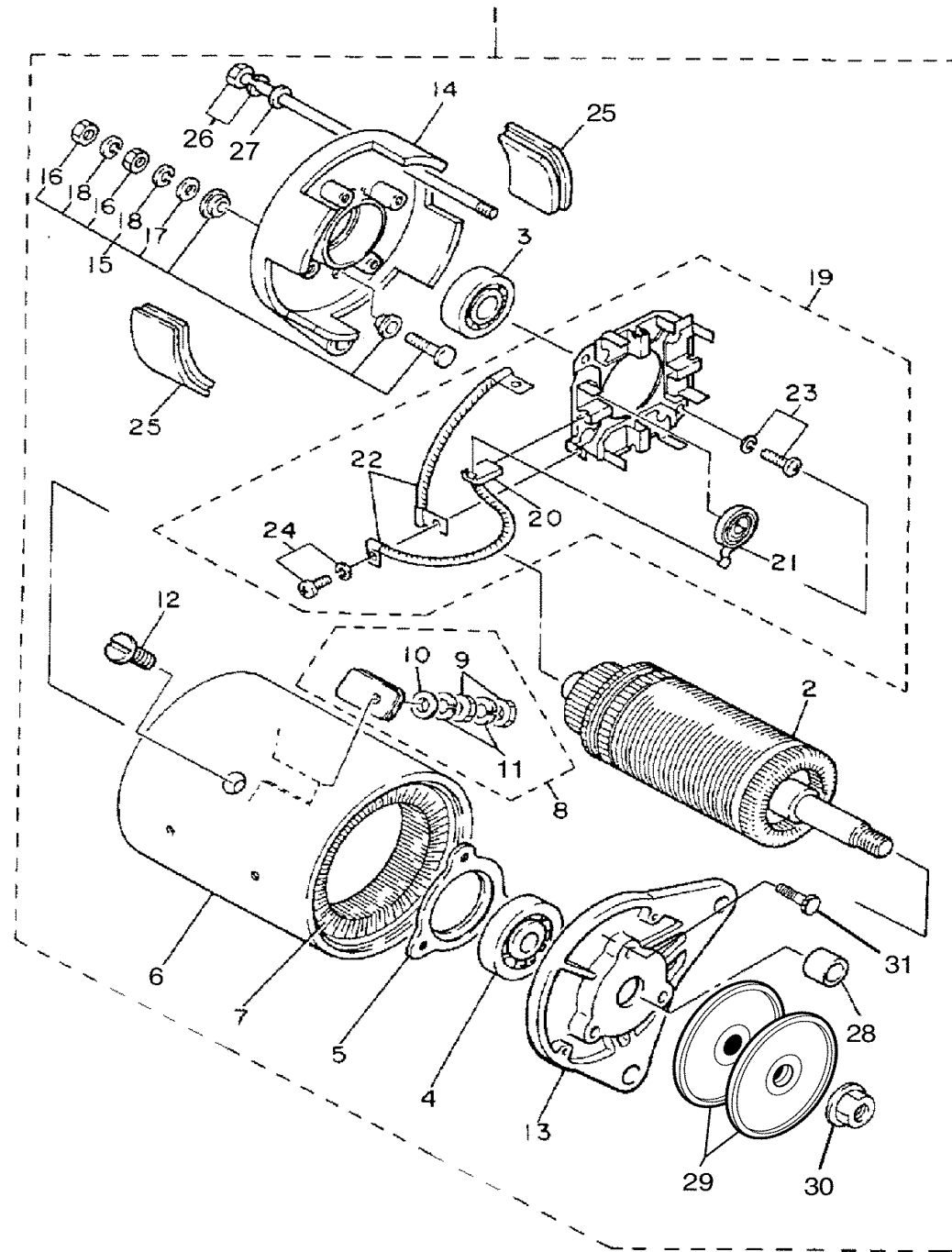
ACCELERATOR	B11
AIR SHROUD FAN	A6
BODY 1 FRONT	C9-10
BODY 2 REAR	C11-12
BODY FITTING	D1
BRAKE 1	B7-8
BRAKE 2	B9
BRAKE 3	B10
BUMPER	C8
CAMSHAFT VALVE	A5
CARBURETOR	A8
CARRIER	D2-3
CRANKCASE	A10
CRANKSHAFT PISTON	A4
CYLINDER HEAD	A3
ELECTRICAL 1	D7
ELECTRICAL 2	D8-9
ENGINE ASSEMBLY	A2
ENGINE MOUNT	A11
EXHAUST	A9
FRAME	B1
FRONT SUSPENSION WHEEL	B2-3
FUEL TANK	B6
GOVERNOR	B12
INTAKE	A7
PRIMARY CLUTCH	C1
REAR ARM SUSPENSION	A12
REAR AXLE MOUNT WHEEL	C6
SEAT	D4
SECONDARY SHEAVE	C2
SHIFTER CABLES	C7
STARTER GENERATOR	D5-6
STEERING	B4-5
TRANSMISSION	C3-5
-MODELS IN THIS CATALOG	D10



JN6100-6232

CONTINUED ON NEXT FRAME >

STARTER GENERATOR



Ref. No.	Part Number	Description	Qty	Remarks
30	90179-16889-00	. NUT, FLANGE	1	
31	98507-05018-00	. SCREW, PAN HEAD	3	

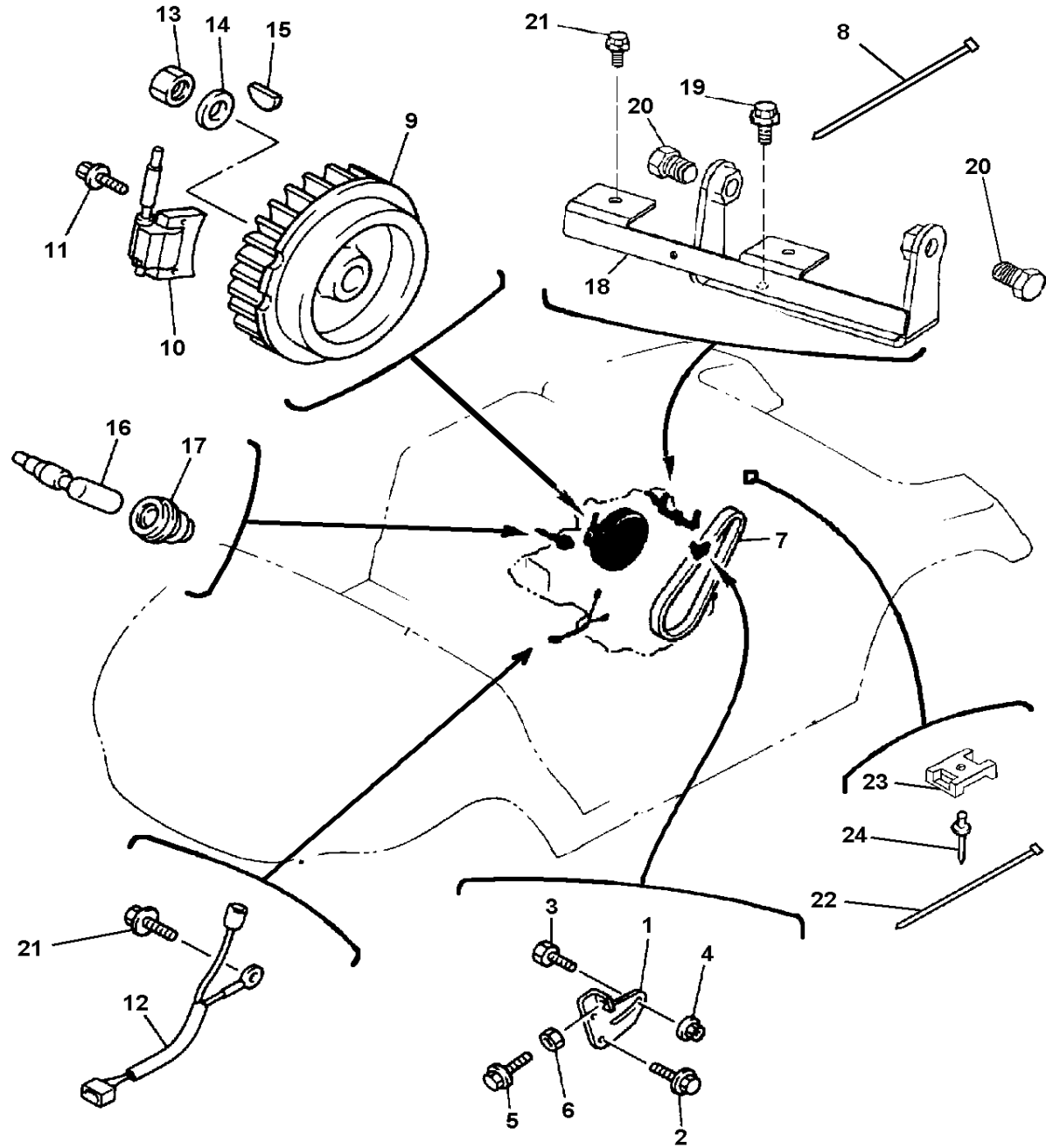
CONTENTS

ACCELERATOR	B11
AIR SHROUD FAN	A6
BODY 1 FRONT	C9-10
BODY 2 REAR	C11-12
BODY FITTING	D1
BRAKE 1	B7-8
BRAKE 2	B9
BRAKE 3	B10
BUMPER	C8
CAMSHAFT VALVE	A5
CARBURETOR	A8
CARRIER	D2-3
CRANKCASE	A10
CRANKSHAFT PISTON	A4
CYLINDER HEAD	A3
ELECTRICAL 1	D7
ELECTRICAL 2	D8-9
ENGINE ASSEMBLY	A2
ENGINE MOUNT	A11
EXHAUST	A9
FRAME	B1
FRONT SUSPENSION WHEEL	B2-3
FUEL TANK	B6
GOVERNOR	B12
INTAKE	A7
PRIMARY CLUTCH	C1
REAR ARM SUSPENSION	A12
REAR AXLE MOUNT WHEEL	C6
SEAT	D4
SECONDARY SHEAVE	C2
SHIFTER CABLES	C7
STARTER GENERATOR	D5-6
STEERING	B4-5
TRANSMISSION	C3-5
-MODELS IN THIS CATALOG	D10



JN6100-6232

ELECTRICAL 1



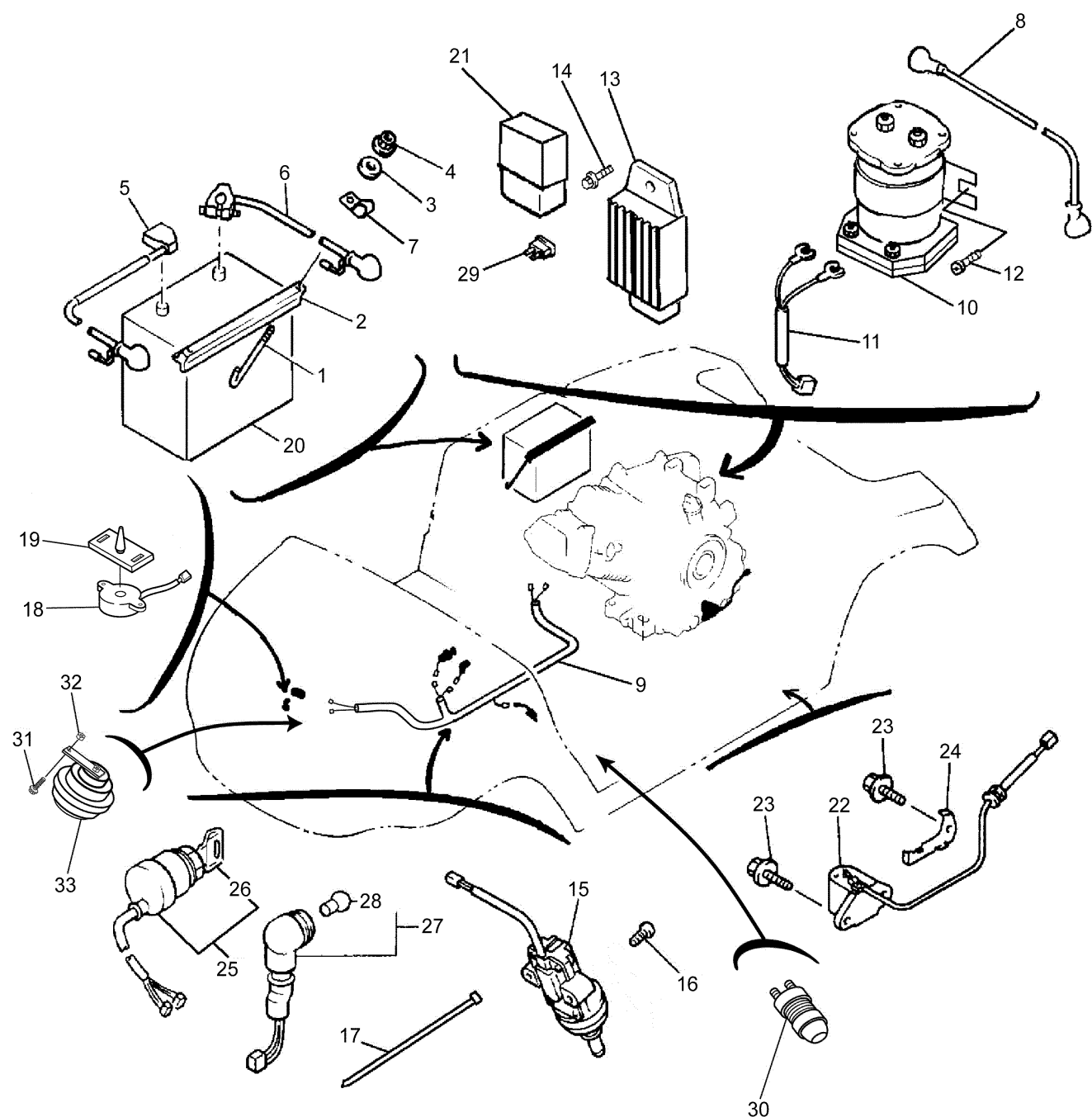
Ref. No.	Part Number	Description	Qty	Remarks
1	JN6-H1170-00-00	TENSIONER ASSEMBLY	1	
2	9582P-08020-00	BOLT, FLANGE	2	
3	90109-08875-00	BOLT	1	
4	90179-08491-00	NUT, FLANGE	1	
5	90101-06478-00	NUT	1	
6	95317-06600-00	NUT (95307-06600-00)	1	
7	JN8-H1173-00-00	BELT	1	
8	90464-09823-00	CLAMP	1	
9	JR7-05650-00-00	ROTOR ASSY	1	
10	JN6-85640-00-00	T.C.I. UNIT	1	
11	95817-06025-00	BOLT, FLANGE	2	
12	JN6-82318-00-00	WIRE, SUB-LEAD	1	
13	95307-18600-00	NUT, HEX	1	
14	90201-18620-00	WASHER, PLAIN	1	
15	90280-04052-00	KEY, WOODRUFF	1	
16	JN6-82370-00-00	PLUG CAP ASSY	1	
17	JE8-82372-00-00	SEAL, PLUG CAP	1	
18	JN6-H1171-00-00	BRACKET, STARTER GENERATOR	1	
19	9582P-08020-00	BOLT, FLANGE	2	
20	95817-12025-00	BOLT, FLANGE	2	
21	95817-06016-00	BOLT, FLANGE	3	
22	90464-40825-00	CLAMP	3	JR6-200101~
23	90207-05800-00	WASHER, FINISH	1	JR6-200101~
24	90267-489U9-00	RIVET, BLIND	1	JR6-200101~

CONTENTS

ACCELERATOR	B11
AIR SHROUD FAN	A6
BODY 1 FRONT	C9-10
BODY 2 REAR	C11-12
BODY FITTING	D1
BRAKE 1	B7-8
BRAKE 2	B9
BRAKE 3	B10
BUMPER	C8
CAMSHAFT VALVE	A5
CARBURETOR	A8
CARRIER	D2-3
CRANKCASE	A10
CRANKSHAFT PISTON	A4
CYLINDER HEAD	A3
ELECTRICAL 1	D7
ELECTRICAL 2	D8-9
ENGINE ASSEMBLY	A2
ENGINE MOUNT	A11
EXHAUST	A9
FRAME	B1
FRONT SUSPENSION WHEEL	B2-3
FUEL TANK	B6
GOVERNOR	B12
INTAKE	A7
PRIMARY CLUTCH	C1
REAR ARM SUSPENSION	A12
REAR AXLE MOUNT WHEEL	C6
SEAT	D4
SECONDARY SHEAVE	C2
SHIFTER CABLES	C7
STARTER GENERATOR	D5-6
STEERING	B4-5
TRANSMISSION	C3-5
~MODELS IN THIS CATALOG	D10

JN6100-6240

ELECTRICAL 2



FWD
JR6100-7081

Ref. No.	Part Number	Description	Qty	Remarks
1	JN3-H2133-00-00	SCREW, FITTING	2	
2	J55-H2136-00-00	PLATE, BATTERY	1	
3	92907-06200-00	WASHER	2	
4	95707-06500-00	NUT, FLANGE	2	
5	JR3-H2115-01-00	WIRE, PLUS LEAD 1	1	
6	JR3-H2116-00-00	WIRE, MINUS LEAD	1	
7	90461-08031-00	CLAMP	2	
8	JR3-H2117-00-00	WIRE, LEAD	1	
9	JR6-H2590-00-00	WIRE HARNESS ASSY	1	WITH FUSE
10	JR3-H1950-00-00	RELAY ASSY	1	
11	JN6-H2105-00-00	WIRE HARNESS	1	
12	90163-06005-00	SCREW, HEX T	2	
13	JF2-81910-01-00	VOLTAGE REGULATOR ASSY	1	
14	90105-06876-00	BOLT, FLANGE	1	
15	JF7-82817-20-00	SWITCH, ACCELERATOR STOP	1	
16	97607-05325-00	SCREW, PAN HEAD W/WASHER	2	
17	90464-31827-00	CLAMP	5	
18	JR1-H3383-01-00	BUZZER	1	
19	JN6-H3386-01-00	STAY, BUZZER	1	
20	JG5-H2110-01-00	BATTERY (GRP 24, 12V, 400CCA)	1	OBTAIN LOCALLY
21	4U8-81950-02-00	RELAY ASSY	1	
22	JN6-85720-12-00	OIL LEVEL GAUGE	1	
23	95817-06012-00	BOLT, FLANGE	4	
24	JN6-85724-00-00	CLAMP, OIL LEVEL	1	
25	JN8-82510-02-00	MAIN SWITCH	1	COMMON KEY
	JN8-82510-09-00	MAIN SWITCH ASSY, RANDOM KEY	1	AP
26	J44-82511-00-YY	KEY, MAIN SWITCH (J44-82511-00-00)	1	FOR COMMON KEY SWITCH ONLY

CONTENTS

ACCELERATOR	B11
AIR SHROUD FAN	A6
BODY 1 FRONT	C9-10
BODY 2 REAR	C11-12
BODY FITTING	D1
BRAKE 1	B7-8
BRAKE 2	B9
BRAKE 3	B10
BUMPER	C8
CAMSHAFT VALVE	A5
CARBURETOR	A8
CARRIER	D2-3
CRANKCASE	A10
CRANKSHAFT PISTON	A4
CYLINDER HEAD	A3
ELECTRICAL 1	D7
ELECTRICAL 2	D8-9
ENGINE ASSEMBLY	A2
ENGINE MOUNT	A11
EXHAUST	A9
FRAME	B1
FRONT SUSPENSION WHEEL	B2-3
FUEL TANK	B6
GOVERNOR	B12
INTAKE	A7
PRIMARY CLUTCH	C1
REAR ARM SUSPENSION	A12
REAR AXLE MOUNT WHEEL	C6
SEAT	D4
SECONDARY SHEAVE	C2
SHIFTER CABLES	C7
STARTER GENERATOR	D5-6
STEERING	B4-5
TRANSMISSION	C3-5
-MODELS IN THIS CATALOG	D10

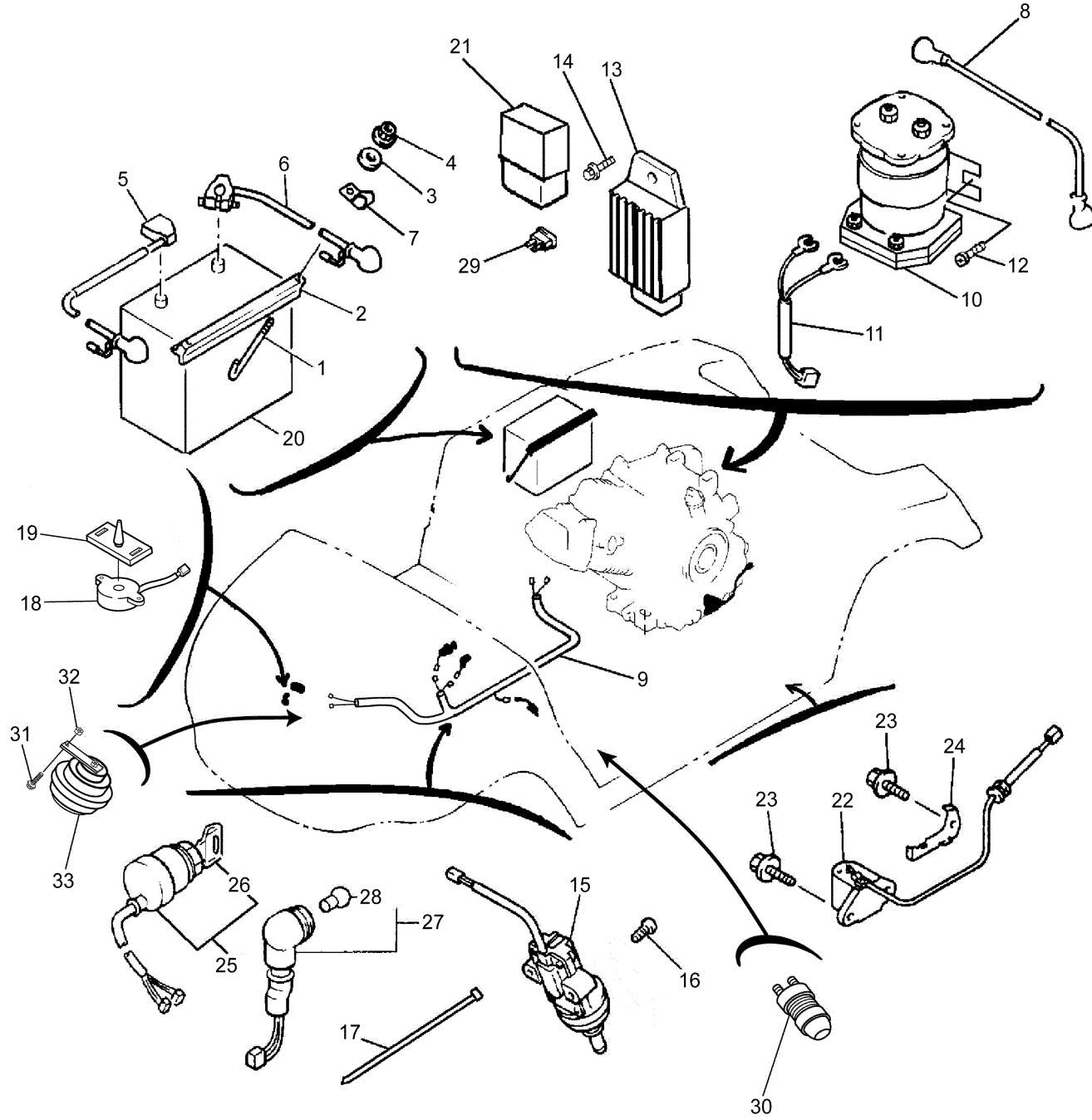
CONTINUED ON NEXT FRAME ►

ELECTRICAL 2

Ref. No.	Part Number	Description	Qty	Remarks
27	JN6-83530-00-00	PILOT LIGHT A	1	
28	123-83516-21-XX	. BULB (12V-3.4W)	1	
29	42X-82151-00-00	FUSE	1	
30	JR6-H270X-00-00	SWITCH	1	
31	9582P-06012-00	BOLT, FLANGE	1	
32	95707-06500-00	NUT, FLANGE	1	
33	4LR-83371-00-00	HORN	1	

CONTENTS

ACCELERATOR	B11
AIR SHROUD FAN	A6
BODY 1 FRONT	C9-10
BODY 2 REAR	C11-12
BODY FITTING	D1
BRAKE 1	B7-8
BRAKE 2	B9
BRAKE 3	B10
BUMPER	C8
CAMSHAFT VALVE	A5
CARBURETOR	A8
CARRIER	D2-3
CRANKCASE	A10
CRANKSHAFT PISTON	A4
CYLINDER HEAD	A3
ELECTRICAL 1	D7
ELECTRICAL 2	D8-9
ENGINE ASSEMBLY	A2
ENGINE MOUNT	A11
EXHAUST	A9
FRAME	B1
FRONT SUSPENSION WHEEL	B2-3
FUEL TANK	B6
GOVERNOR	B12
INTAKE	A7
PRIMARY CLUTCH	C1
REAR ARM SUSPENSION	A12
REAR AXLE MOUNT WHEEL	C6
SEAT	D4
SECONDARY SHEAVE	C2
SHIFTER CABLES	C7
STARTER GENERATOR	D5-6
STEERING	B4-5
TRANSMISSION	C3-5
-MODELS IN THIS CATALOG	D10



 JR6100-7081

~MODELS IN THIS CATALOG

Ref. No.	Part Number	Description	Qty	Remarks
-------------	----------------	-------------	-----	---------

CONTENTS

ACCELERATOR	B11
AIR SHROUD FAN	A6
BODY 1 FRONT	C9-10
BODY 2 REAR	C11-12
BODY FITTING	D1
BRAKE 1	B7-8
BRAKE 2	B9
BRAKE 3	B10
BUMPER	C8
CAMSHAFT VALVE	A5
CARBURETOR	A8
CARRIER	D2-3
CRANKCASE	A10
CRANKSHAFT PISTON	A4
CYLINDER HEAD	A3
ELECTRICAL 1	D7
ELECTRICAL 2	D8-9
ENGINE ASSEMBLY	A2
ENGINE MOUNT	A11
EXHAUST	A9
FRAME	B1
FRONT SUSPENSION WHEEL	B2-3
FUEL TANK	B6
GOVERNOR	B12
INTAKE	A7
PRIMARY CLUTCH	C1
REAR ARM SUSPENSION	A12
REAR AXLE MOUNT WHEEL	C6
SEAT	D4
SECONDARY SHEAVE	C2
SHIFTER CABLES	C7
STARTER GENERATOR	D5-6
STEERING	B4-5
TRANSMISSION	C3-5
~MODELS IN THIS CATALOG	D10

2001 G21AW (JR6)

STARTING FRAME: JR6-000101 and following

2002 G21AX (JR6)

STARTING FRAME: JR6-100101 and following

2003 G21AY (JR6)

STARTING FRAME: JR6-200101 and following

2004 G21AZ (JR6)

STARTING FRAME: JR6-300101 and following

ALL THESE MODELS USE THIS SAME PARTS CATALOG.
BE SURE TO ORDER ONLY THOSE PARTS APPLICABLE
TO THE DESIRED MODEL.