

## PARTS CATALOGUE *G-MAX ELECTRIC*

**2003 G22EY (JU21)**

**2004 G22EZ (JU21)**

**2005 G22EA (JU22)**

**2005 G22EB (JU22)**

**2006 G22EC (JU22)**

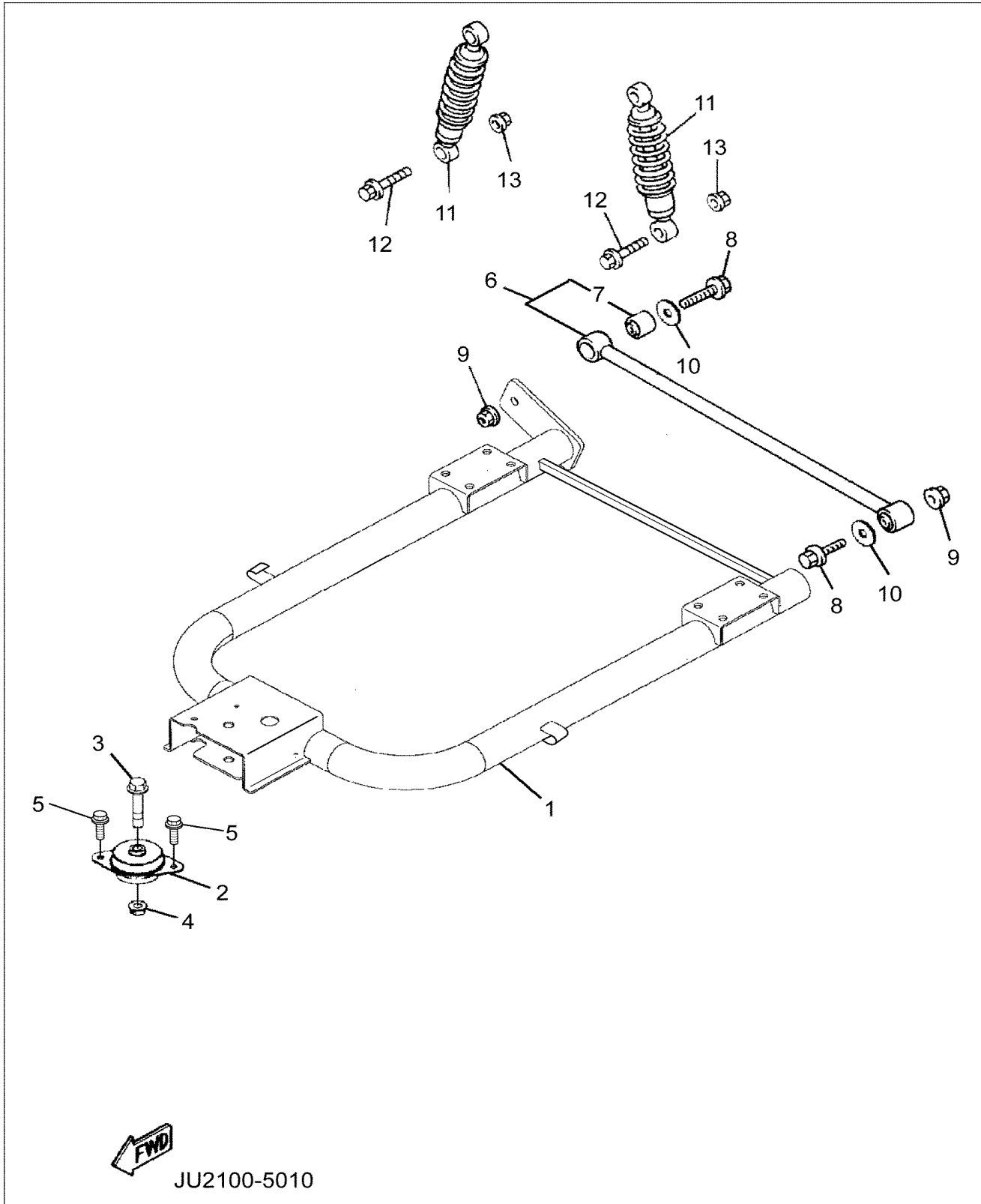
**2006 G22ED (JU23)**

<b>STARTING FRAME (G22EY):</b>	<b>JU2-000101</b>	<b>and following</b>
<b>STARTING FRAME (G22EZ):</b>	<b>JU2-100101</b>	<b>and following</b>
<b>STARTING FRAME (G22EA):</b>	<b>JU2-200101</b>	<b>and following</b>
<b>STARTING FRAME (G22EB):</b>	<b>JU2-205701</b>	<b>and following</b>
<b>STARTING FRAME (G22EC):</b>	<b>JU2-300101</b>	<b>and following</b>
<b>STARTING FRAME (G22ED):</b>	<b>JU2-306201</b>	<b>and following</b>

## CONTENTS

ACCELERATOR	A12
BATTERY CHARGER DPI	D6
BATTERY CHARGER MAC	D5
BODY 1	B7-8
BODY 2	B9-10
BODY FITTING	B11
BRAKE 1	A8-9
BRAKE 2	A10
BRAKE 3	A11
BUMPER	B6
CARRIER	B12
CONTROLLER 1 GE	
~JU2-202130	C6
CONTROLLER 1 MORIC	
JU2-202131~	C7-8
ELECTRIC MOTOR ADC	
JU2-205701~	C3
ELECTRIC MOTOR GE ~	
JU2-205700	C2
ELECTRIC MOTOR HITACHI	C4-5
ELECTRICAL 1	
JU2-205701~305999	C11-12
ELECTRICAL 1 JU2-306201~	
LE MODEL ADC MOTOR	D3-4
ELECTRICAL 1 JU2-306201~	
WITH HITACHI MOTOR	D1-2
ELECTRICAL 1 ~JU2-205700	C9-10
FRAME	A3
FRONT SUSPENSION WHEEL	A4-5
OPTIONAL ENERGY/HOUR	
GAUGES	D12
OPTIONAL HUB CAPS	E1
OPTIONAL LIGHT KIT	D9
OPTIONAL LIGHT KIT	
STREAMLINE JU2	D10-11
OPTIONAL SUN ROOF	D8
OPTIONAL WINDSHIELD	D7
REAR ARM SUSPENSION	A2
REAR AXLE MOUNT WHEEL	B5
SEAT	C1
STEERING	A6-7
TRANSAXLE JU2-200101~	B3-4
TRANSAXLE ~JU0-199900	B1-2
~MODELS IN THIS CATALOG	E2

# REAR ARM SUSPENSION



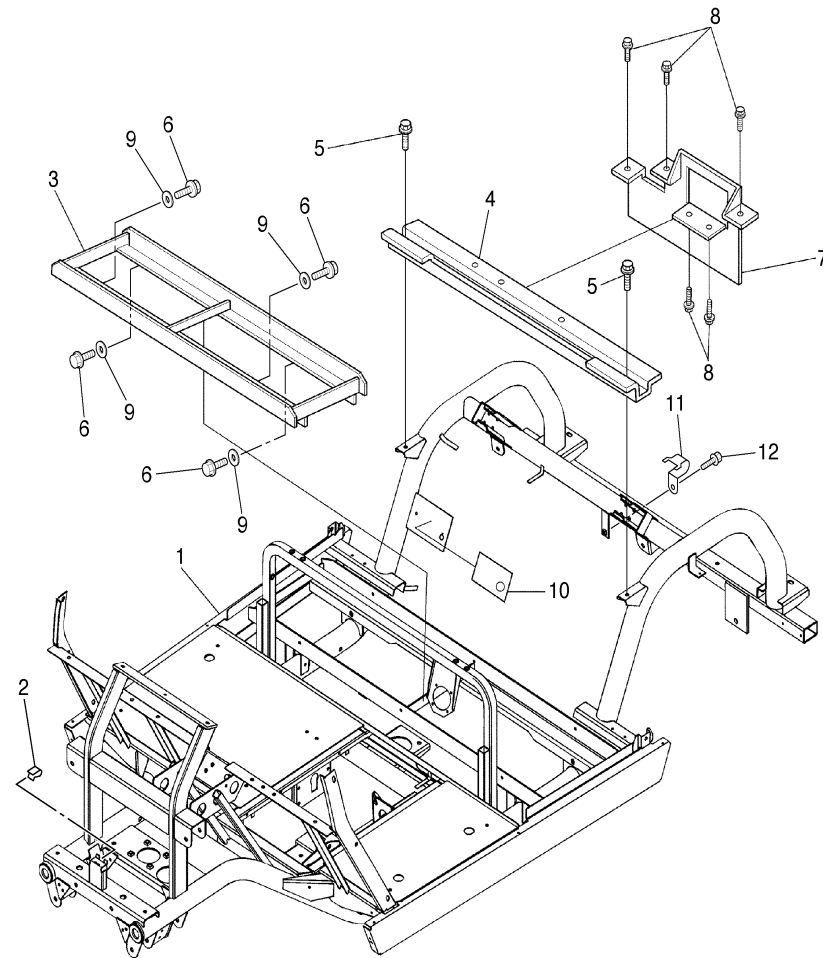
Ref. No.	Part Number	Description	Qty	Remarks
1	JU2-F2110-01-00	REAR ARM COMP. ....	1	
2	JN6-F2123-10-00	BUSH 1 .....	1	
3	90105-13864-00	BOLT, FLANGE .....	1	
4	90179-13878-00	NUT .....	1	
5	9751P-10620-00	BOLT, WITH WASHER .....	1	
6	JN6-F2172-00-00	ROD, CONNECTING 2 .....	1	
7	JN6-F2124-10-00	. BUSH 2 .....	2	
8	9581P-12065-00	BOLT, FLANGE .....	2	
9	9560P-12200-00	NUT, FLANGE .....	2	
10	90201-128S4-00	WASHER, PLATE .....	2	
11	JN4-F2210-00-00	SHOCK ABSORBER ASSY, REAR .....	2	
12	95807-10055-00	BOLT, FLANGE .....	4	
13	95607-10200-00	NUT, U FLANGE .....	4	

## CONTENTS

ACCELERATOR	A12
BATTERY CHARGER DPI	D6
BATTERY CHARGER MAC	D5
BODY 1	B7-8
BODY 2	B9-10
BODY FITTING	B11
BRAKE 1	A8-9
BRAKE 2	A10
BRAKE 3	A11
BUMPER	B6
CARRIER	B12
CONTROLLER 1 GE	
~JU2-202130	C6
CONTROLLER 1 MORIC	
JU2-202131~	C7-8
ELECTRIC MOTOR ADC	
JU2-205701~	C3
ELECTRIC MOTOR GE -	
JU2-205700	C2
ELECTRIC MOTOR HITACHI	C4-5
ELECTRICAL 1	
JU2-205701~305999	C11-12
ELECTRICAL 1 JU2-306201~	
LE MODEL ADC MOTOR	D3-4
ELECTRICAL 1 JU2-306201~	
WITH HITACHI MOTOR	D1-2
ELECTRICAL 1 ~JU2-205700	C9-10
FRAME	A3
FRONT SUSPENSION WHEEL	A4-5
OPTIONAL ENERGY/HOUR	
GAUGES	D12
OPTIONAL HUB CAPS	E1
OPTIONAL LIGHT KIT	D9
OPTIONAL LIGHT KIT	
STREAMLINE JU2	D10-11
OPTIONAL SUN ROOF	D8
OPTIONAL WINDSHIELD	D7
REAR ARM SUSPENSION	A2
REAR AXLE MOUNT WHEEL	B5
SEAT	C1
STEERING	A6-7
TRANSAXLE JU2-200101~	B3-4
TRANSAXLE ~JU0-199900	B1-2
~MODELS IN THIS CATALOG	E2

# FRAME

Ref. No.	Part Number	Description	Qty	Remarks
1	JU2-F2501-00-00	FRAME COMP. ....	1	
2	JU0-F2567-00-00	SUPPORT 1 ....	1	
3	JU2-F2554-10-00	BASE, BATTERY ....	1	
4	JU0-F254R-00-00	SUPPORT, BODY MOUNTING .	1	
5	95807-08016-00	BOLT, FLANGE ....	2	
6	90105-10881-00	BOLT, FLANGE ....	4	
7	JU2-F252M-00-00	BRACKET, 3 ....	1	
8	90163-06005-00	SCREW, TAPPING ....	5	
9	90201-11800-00	WASHER, PLATE ....	4	
10	JR1-K8298-10-00	PLATE, CAUTION 2 ....	1	
	JR1-K8298-20-00	PLATE, CAUTION 2 ....	1	UR FOR USA REPLACE WITH FRAME
11	90462-20186-00	CLAMP ....	1	UR FOR CANADA, EUROPE REPLACE WITH FRAME
12	90105-06876-00	BOLT, FLANGE ....	1	



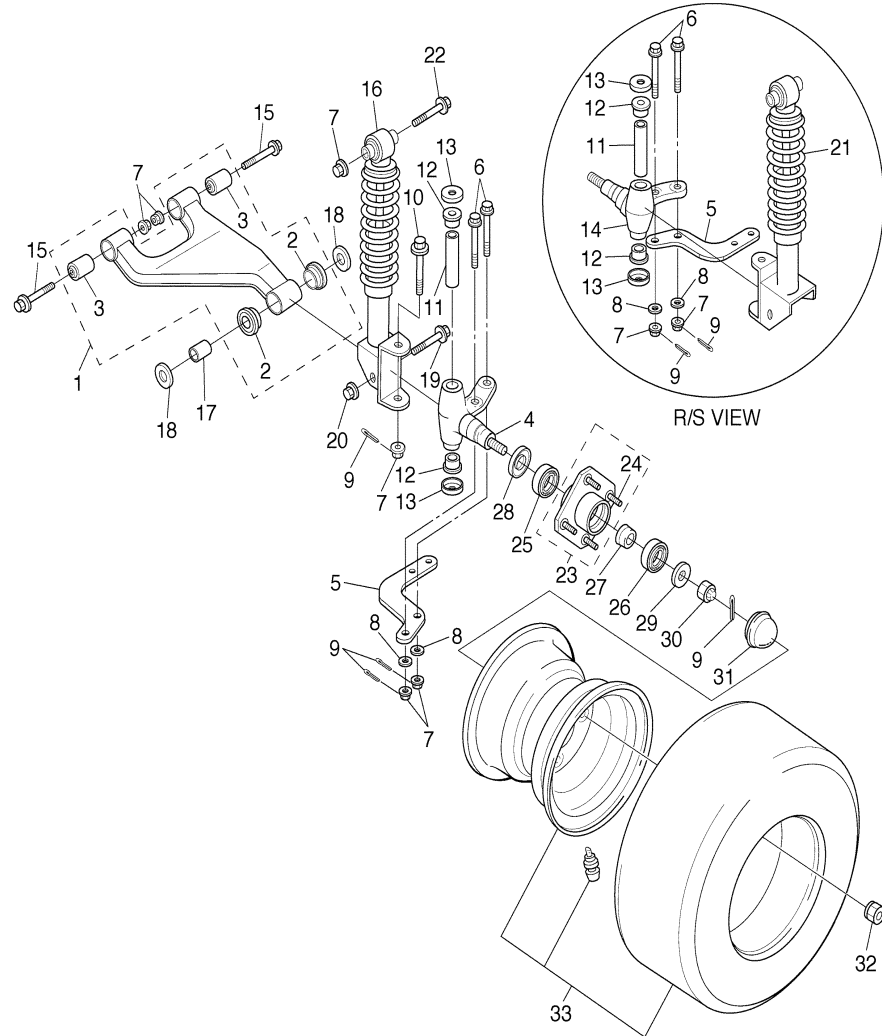
## CONTENTS

ACCELERATOR	A12
BATTERY CHARGER DPI	D6
BATTERY CHARGER MAC	D5
BODY 1	B7-8
BODY 2	B9-10
BODY FITTING	B11
BRAKE 1	A8-9
BRAKE 2	A10
BRAKE 3	A11
BUMPER	B6
CARRIER	B12
CONTROLLER 1 GE	
~JU2-202130	C6
CONTROLLER 1 MORIC	
JU2-202131~	C7-8
ELECTRIC MOTOR ADC	
JU2-205701~	C3
ELECTRIC MOTOR GE ~	
JU2-205700	C2
ELECTRIC MOTOR HITACHI	C4-5
ELECTRICAL 1	
JU2-205701~305999	C11-12
ELECTRICAL 1 JU2-306201~	
LE MODEL ADC MOTOR	D3-4
ELECTRICAL 1 JU2-306201~	
WITH HITACHI MOTOR	D1-2
ELECTRICAL 1 ~JU2-205700	C9-10
FRAME	A3
FRONT SUSPENSION WHEEL	A4-5
OPTIONAL ENERGY/HOUR	
GAUGES	D12
OPTIONAL HUB CAPS	E1
OPTIONAL LIGHT KIT	D9
OPTIONAL LIGHT KIT	
STREAMLINE JU2	D10-11
OPTIONAL SUN ROOF	D8
OPTIONAL WINDSHIELD	D7
REAR ARM SUSPENSION	A2
REAR AXLE MOUNT WHEEL	B5
SEAT	C1
STEERING	A6-7
TRANSAXLE JU2-200101~	B3-4
TRANSAXLE ~JU0-199900	B1-2
~MODELS IN THIS CATALOG	E2



JU22100-D020

# FRONT SUSPENSION WHEEL



Ref. No.	Part Number	Description	Qty	Remarks
1	JU0-F3570-20-00	FRONT LOWER ARM COMP. . . . .	2	
2	90381-18001-00	. BUSH, SOLID . . . . .	2	
3	2HR-23526-00-00	. BUSH . . . . .	2	
4	JU0-F3511-00-00	KNUCKLE, STEERING 1 . . . . .	1	
5	JU0-F3512-00-00	ARM, KNUCKLE 1 . . . . .	2	UR F/N ~JU2-305600
	JU0-F3512-01-00	ARM, KNUCKLE 1 . . . . .	2	UR F/N JU2-305601~
6	90105-10728-00	BOLT, FLANGE . . . . .	4	
7	95607-10200-00	NUT, U FLANGE . . . . .	12	
8	90201-108P8-00	WASHER, PLATE . . . . .	4	UR F/N ~JU2-305600
9	91401-25020-00	PIN, COTTER . . . . .	8	
10	90105-10064-00	BOLT, FLANGE . . . . .	2	
11	2NL-23448-00-00	SPACER . . . . .	2	
12	90381-17067-00	BUSH, SOLID . . . . .	4	
13	2NL-23517-00-00	COVER, THRUST 1 . . . . .	4	
14	JU0-F3521-00-00	KNUCKLE, STEERING 2 . . . . .	1	
15	90105-10890-00	BOLT, FLANGE . . . . .	4	
16	JU0-F3350-20-00	SHOCK ABSORBER ASSY . . . . .	1	
17	90387-12016-00	COLLAR . . . . .	2	
18	401-22128-01-00	COVER, THRUST 1 . . . . .	4	
19	95817-12080-00	BOLT, FLANGE . . . . .	2	
20	9561P-12100-00	NUT . . . . .	2	
21	JU0-F3390-20-00	SHOCK ABSORBER ASSY 2 . . . . .	1	
22	95807-10065-00	BOLT, FLANGE . . . . .	2	
23	JG5-WF511-10-00	HUB, FRONT . . . . .	2	
24	90114-12800-00	. BOLT, SERRATION . . . . .	4	
25	93306-204X0-00	BEARING . . . . .	2	
26	93306-005Y3-00	BEARING . . . . .	2	
27	90387-241M7-00	COLLAR . . . . .	2	
28	93102-30083-00	OIL SEAL . . . . .	2	
29	90209-32832-00	WASHER . . . . .	2	

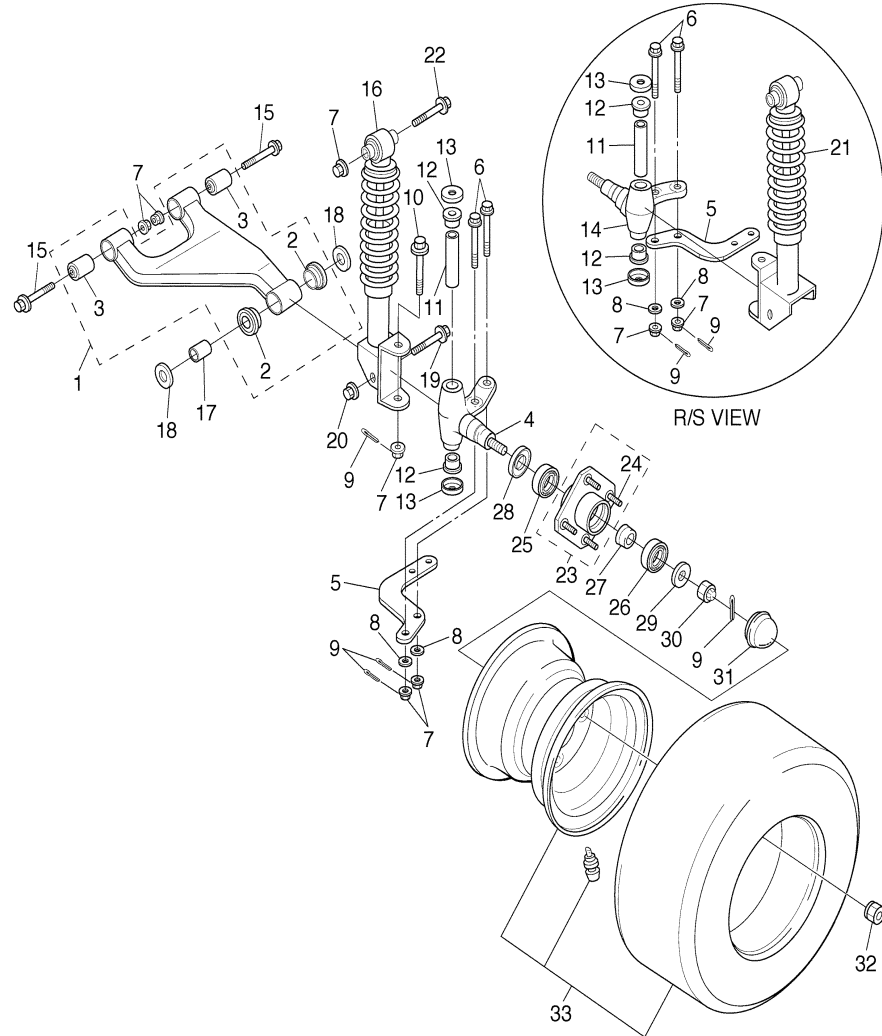
### CONTENTS

ACCELERATOR	A12
BATTERY CHARGER DPI	D6
BATTERY CHARGER MAC	D5
BODY 1	B7-8
BODY 2	B9-10
BODY FITTING	B11
BRAKE 1	A8-9
BRAKE 2	A10
BRAKE 3	A11
BUMPER	B6
CARRIER	B12
CONTROLLER 1 GE	
~JU2-202130	C6
CONTROLLER 1 MORIC	
JU2-202131~	C7-8
ELECTRIC MOTOR ADC	
JU2-205701~	C3
ELECTRIC MOTOR GE -	
JU2-205700	C2
ELECTRIC MOTOR HITACHI	C4-5
ELECTRICAL 1	
JU2-205701~305999	C11-12
ELECTRICAL 1 JU2-306201~	
LE MODEL ADC MOTOR	D3-4
ELECTRICAL 1 JU2-306201~	
WITH HITACHI MOTOR	D1-2
ELECTRICAL 1 ~JU2-205700	C9-10
FRAME	A3
FRONT SUSPENSION WHEEL	A4-5
OPTIONAL ENERGY/HOUR	
GAUGES	D12
OPTIONAL HUB CAPS	E1
OPTIONAL LIGHT KIT	D9
OPTIONAL LIGHT KIT	
STREAMLINE JU2	D10-11
OPTIONAL SUN ROOF	D8
OPTIONAL WINDSHIELD	D7
REAR ARM SUSPENSION	A2
REAR AXLE MOUNT WHEEL	B5
SEAT	C1
STEERING	A6-7
TRANSAXLE JU2-200101~	B3-4
TRANSAXLE ~JU0-199900	B1-2
~MODELS IN THIS CATALOG	E2

CONTINUED ON NEXT FRAME ►

JT73010-C120

# FRONT SUSPENSION WHEEL



Ref. No.	Part Number	Description	Qty	Remarks
30	95607-14100-00	NUT, U .....	2	
31	JN6-F5118-00-00	COVER, HUB DUST .....	2	
32	90179-12262-00	NUT .....	8	
33	JN6-F5100-11-00	WHEEL ASSY (18X8.5-8 4PR) .	2	UR KENDA
	JU0-F5100-00-00	WHEEL ASSY (18X8.5-8 4PR) .	2	UR MAXXIS PRORIDE
	JN6-F5100-30-00	WHEEL ASSY (18X8.5-8 4PR) .	2	CHROME WHEEL FOR LE

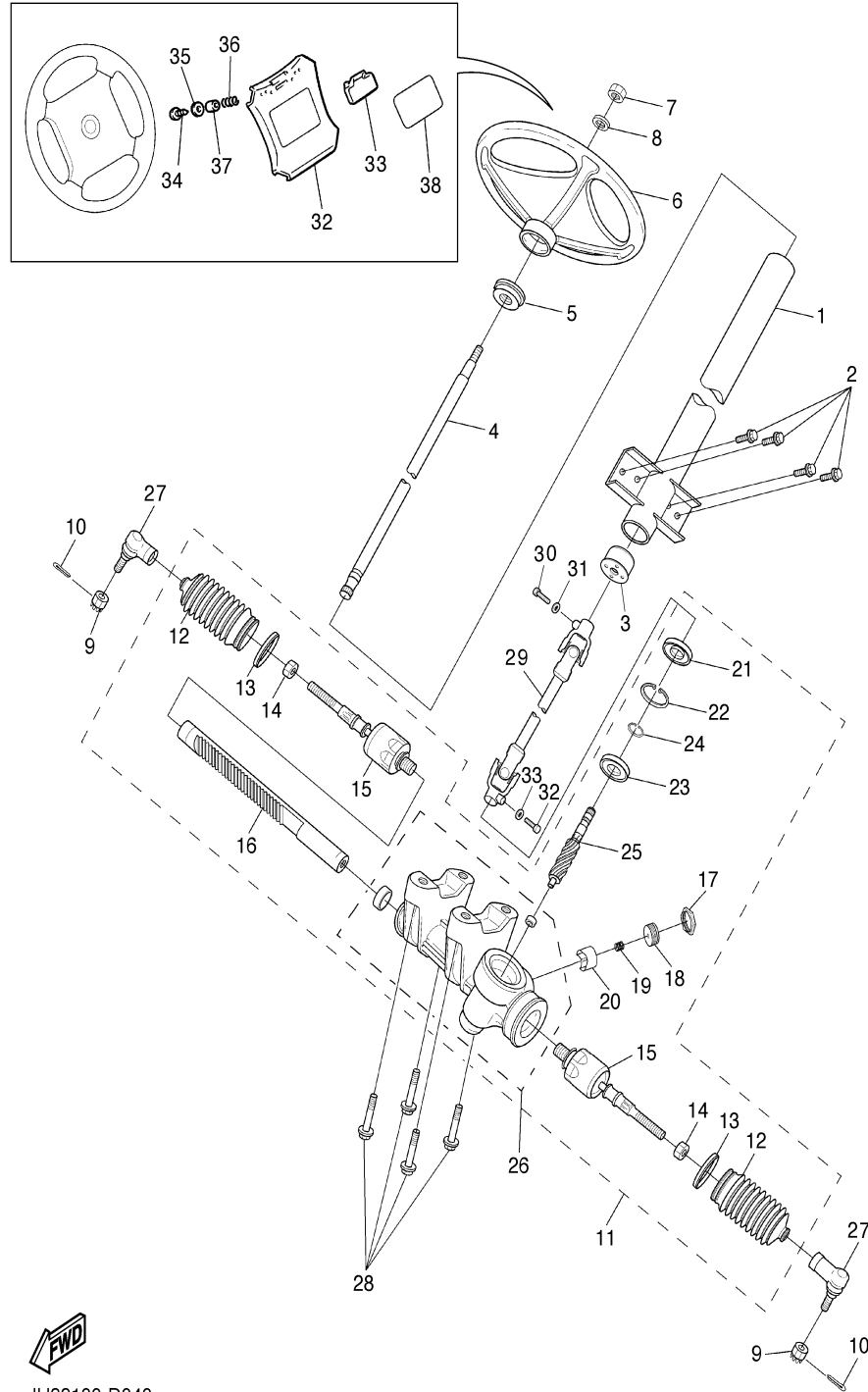
## CONTENTS

ACCELERATOR	A12
BATTERY CHARGER DPI	D6
BATTERY CHARGER MAC	D5
BODY 1	B7-8
BODY 2	B9-10
BODY FITTING	B11
BRAKE 1	A8-9
BRAKE 2	A10
BRAKE 3	A11
BUMPER	B6
CARRIER	B12
CONTROLLER 1 GE ~JU2-202130	C6
CONTROLLER 1 MORIC JU2-202131~	C7-8
ELECTRIC MOTOR ADC JU2-205701~	C3
ELECTRIC MOTOR GE ~JU2-205700	C2
ELECTRIC MOTOR HITACHI ELECTRICAL 1 JU2-205701~305999	C4-5
ELECTRICAL 1 JU2-306201~LE MODEL ADC MOTOR	C11-12
ELECTRICAL 1 JU2-306201~WITH HITACHI MOTOR	D3-4
ELECTRICAL 1 ~JU2-205700	D1-2
FRAME	C9-10
FRONT SUSPENSION WHEEL	A3
OPTIONAL ENERGY/HOUR GAUGES	A4-5
OPTIONAL HUB CAPS	D12
OPTIONAL LIGHT KIT	E1
OPTIONAL LIGHT KIT STREAMLINE JU2	D9
OPTIONAL SUN ROOF	D10-11
OPTIONAL WINDSHIELD	D8
REAR ARM SUSPENSION	D7
REAR AXLE MOUNT WHEEL SEAT	A2
STEERING	B5
TRANSAXLE JU2-200101~	C1
TRANSAXLE ~JU0-199900	A6-7
~MODELS IN THIS CATALOG	B3-4
	B1-2
	E2



JT73010-C120

# STEERING



Ref. No.	Part Number	Description	Qty	Remarks
1	JU0-F3811-00-00	COLUMN, STEERING	1	
2	9581P-08016-00	BOLT, FLANGE	4	
3	JU0-F3857-00-00	HOLDER	2	
4	JU0-F3828-00-00	ROD, STEERING	1	
5	JN3-F3814-00-00	HOLDER, HANDLE UPPER	1	
6	JN3-F3838-00-00	WHEEL, STEERING	1	
7	90185-12061-00	NUT, SELF-LOCKING	1	
8	9290P-12200-00	WASHER	1	
9	95607-12200-00	NUT, SELF-LOCKING	2	
10	91401-25020-00	PIN, COTTER	2	
11	JU0-F3400-00-00	STEERING ASSY	1	
12	JU0-F3848-00-00	. BOOT	2	
13	JU0-F1338-00-00	. CLAMP	2	
14	JU0-F3833-00-00	. NUT 1	2	
15	JU0-F3837-00-00	. ROD, TIE 2	2	
16	JU0-F387E-00-00	. GEAR, RACK	1	
17	JU0-F3834-00-00	. NUT 2	1	
18	JU0-F387G-00-00	. COVER, ADJUST	1	
19	JU0-F387K-00-00	. SPRING, PRESSURE	1	
20	JU0-F387F-00-00	. PAD, PRESSURE	1	
21	JU0-F3844-00-00	. SEAL	1	
22	JU0-F387J-00-00	. RING, STOPPER	1	
23	JU0-F338Y-00-00	. BEARING	1	
24	JU0-F3183-00-00	. CIRCLIP	1	
25	JU0-F387A-00-00	. GEAR, PINION	1	
26	JU0-F620A-00-00	. HOUSING, MAIN 1	1	
27	JU0-F3841-00-00	JOINT, UNIVERSAL 1	2	
28	90105-10810-00	BOLT, FLANGE	4	
29	JU0-F3822-00-00	JOINT 1	1	
30	97017-08030-00	BOLT	2	

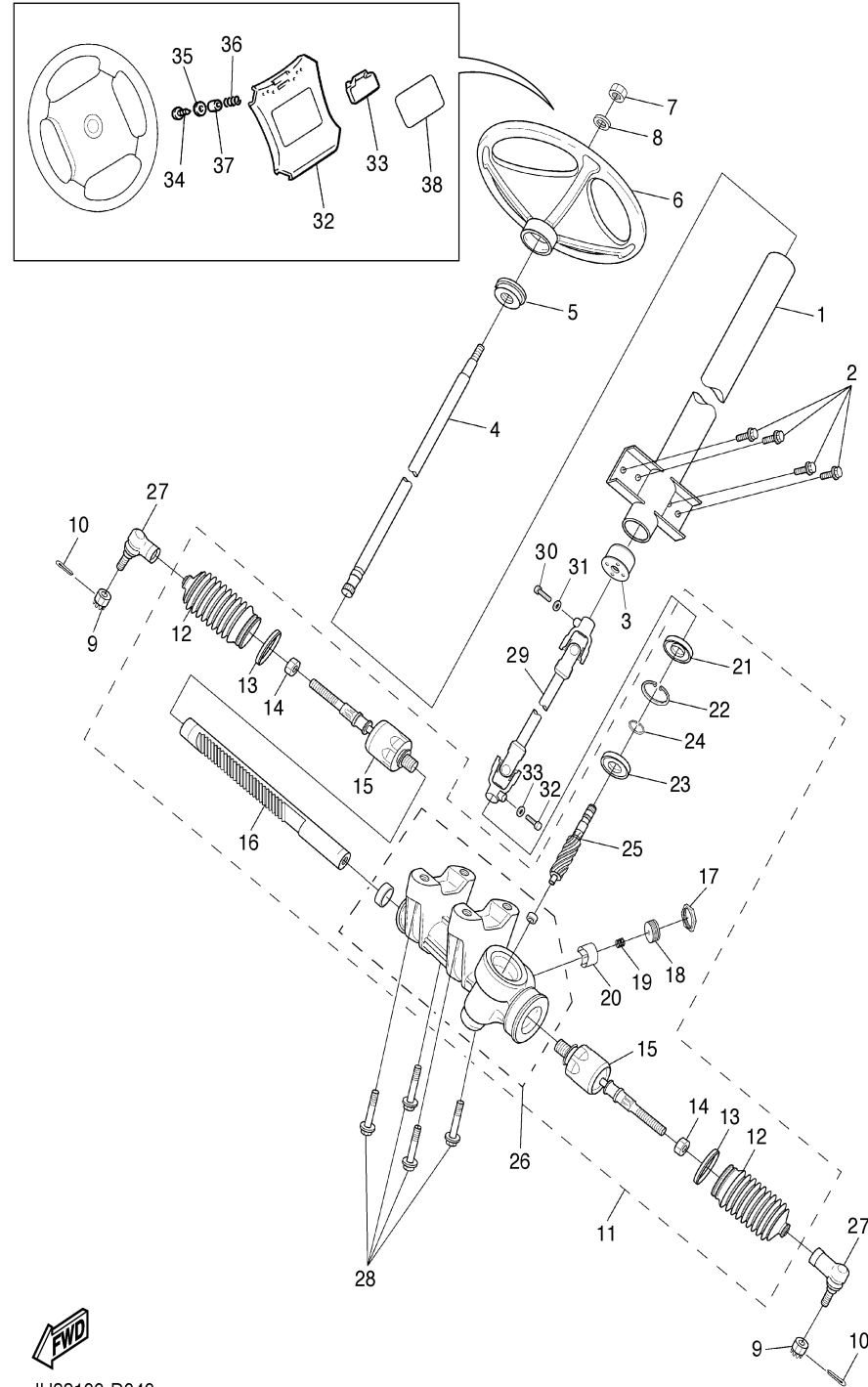
## CONTENTS

ACCELERATOR	A12
BATTERY CHARGER DPI	D6
BATTERY CHARGER MAC	D5
BODY 1	B7-8
BODY 2	B9-10
BODY FITTING	B11
BRAKE 1	A8-9
BRAKE 2	A10
BRAKE 3	A11
BUMPER	B6
CARRIER	B12
CONTROLLER 1 GE ~JU2-202130	C6
CONTROLLER 1 MORIC JU2-202131~	C7-8
ELECTRIC MOTOR ADC JU2-205701~	C3
ELECTRIC MOTOR GE ~ JU2-205700	C2
ELECTRIC MOTOR HITACHI	C4-5
ELECTRICAL 1 JU2-205701~305999	C11-12
ELECTRICAL 1 JU2-306201~ LE MODEL ADC MOTOR	D3-4
ELECTRICAL 1 JU2-306201~ WITH HITACHI MOTOR	D1-2
ELECTRICAL 1 ~JU2-205700	C9-10
FRAME	A3
FRONT SUSPENSION WHEEL	A4-5
OPTIONAL ENERGY/HOUR GAUGES	D12
OPTIONAL HUB CAPS	E1
OPTIONAL LIGHT KIT	D9
OPTIONAL LIGHT KIT STREAMLINE JU2	D10-11
OPTIONAL SUN ROOF	D8
OPTIONAL WINDSHIELD	D7
REAR ARM SUSPENSION	A2
REAR AXLE MOUNT WHEEL	B5
SEAT	C1
STEERING	A6-7
TRANSAXLE JU2-200101~	B3-4
TRANSAXLE ~JU0-199900	B1-2
~MODELS IN THIS CATALOG	E2

CONTINUED ON NEXT FRAME ►



# STEERING



Ref. No.	Part Number	Description	Qty	Remarks
31	92907-08600-00	WASHER, PLATE	2	
32	JN3-K8357-00-00	HOLDER 1	1	
33	JN6-K8358-01-00	HOLDER 2	1	
34	97707-40525-00	SCREW, TAPPING	2	
35	90201-048R5-00	WASHER, PLATE	2	
36	90502-10013-00	SPRING, CONICAL	2	
37	90387-046N7-00	COLLAR	2	
38	JU0-K7762-00-00	LABEL, WARNING 2 (USA)	1	UR FOR USA
	JU0-K7762-10-00	LABEL, WARNING 2 (CAN)	1	UR FOR CANADA

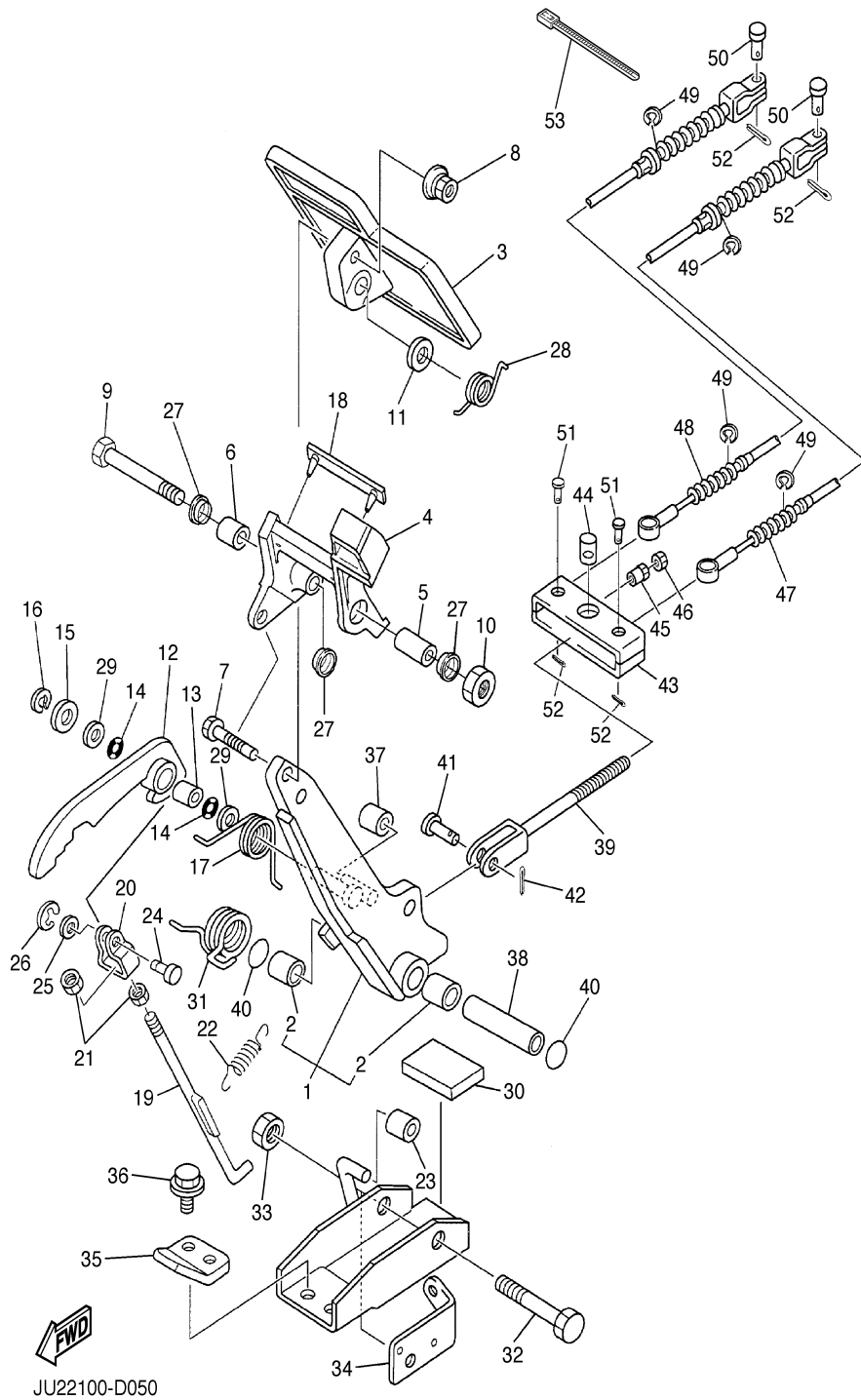
## CONTENTS

ACCELERATOR	A12
BATTERY CHARGER DPI	D6
BATTERY CHARGER MAC	D5
BODY 1	B7-8
BODY 2	B9-10
BODY FITTING	B11
BRAKE 1	A8-9
BRAKE 2	A10
BRAKE 3	A11
BUMPER	B6
CARRIER	B12
CONTROLLER 1 GE	
~JU2-202130	C6
CONTROLLER 1 MORIC	
JU2-202131~	C7-8
ELECTRIC MOTOR ADC	
JU2-205701~	C3
ELECTRIC MOTOR GE -	
JU2-205700	C2
ELECTRIC MOTOR HITACHI	C4-5
ELECTRICAL 1	
JU2-205701~305999	C11-12
ELECTRICAL 1 JU2-306201~	
LE MODEL ADC MOTOR	D3-4
ELECTRICAL 1 JU2-306201~	
WITH HITACHI MOTOR	D1-2
ELECTRICAL 1 ~JU2-205700	C9-10
FRAME	A3
FRONT SUSPENSION WHEEL	A4-5
OPTIONAL ENERGY/HOUR	
GAUGES	D12
OPTIONAL HUB CAPS	E1
OPTIONAL LIGHT KIT	D9
OPTIONAL LIGHT KIT	
STREAMLINE JU2	D10-11
OPTIONAL SUN ROOF	D8
OPTIONAL WINDSHIELD	D7
REAR ARM SUSPENSION	A2
REAR AXLE MOUNT WHEEL	B5
SEAT	C1
STEERING	A6-7
TRANSAXLE JU2-200101~	B3-4
TRANSAXLE ~JU0-199900	B1-2
~MODELS IN THIS CATALOG	E2



JU22100-D040

# BRAKE 1



JU22100-D050

Ref. No.	Part Number	Description	Qty	Remarks
1	J46-27250-03-00	BRAKE ARM COMP. ....	1	
2	90384-14080-00	. BUSH, BIMETAL FORMED ...	2	
3	JU0-27211-01-00	PEDAL, BRAKE .....	1	
4	JU0-25671-00-00	PEDAL, PARKING BRAKE ....	1	
5	90387-08014-00	COLLAR .....	1	
6	90387-08013-00	COLLAR .....	1	
7	97027-06035-00	BOLT .....	1	
8	90179-07564-00	NUT .....	1	
9	97027-08100-00	BOLT .....	1	
10	95307-08600-00	NUT .....	1	
11	92907-08200-00	WASHER .....	1	
12	J17-25666-02-00	SECTOR, PARKING BRAKE ..	1	
13	90384-10162-00	BUSH, BIMETAL FORMED ....	1	
14	J17-27221-00-00	SEAL, SHAFT .....	2	
15	92907-10600-00	WASHER, PLATE .....	1	
16	99001-07600-00	CIRCLIP .....	1	
17	90508-14548-00	SPRING, TORSION .....	1	
18	J17-25672-01-00	PAD, PARKING PEDAL .....	1	
19	J17-27231-03-00	ROD, BRAKE .....	1	
20	J17-27232-00-00	END, ROD 2 .....	1	
21	95307-06700-00	NUT .....	2	
22	90506-09001-00	SPRING, TENSION .....	1	
23	J17-25673-00-00	DAMPER, BRAKE .....	1	
24	J17-27228-00-00	PIN, JOINT .....	1	
25	92907-05600-00	WASHER, PLATE .....	1	
26	99001-04600-00	CIRCLIP .....	1	
27	90387-12009-00	COLLAR .....	3	
28	90508-32015-00	SPRING, TORSION .....	1	
29	90201-104G8-00	WASHER, PLATE .....	2	
30	JN3-F7245-00-00	PAD, BRAKE PEDAL .....	1	

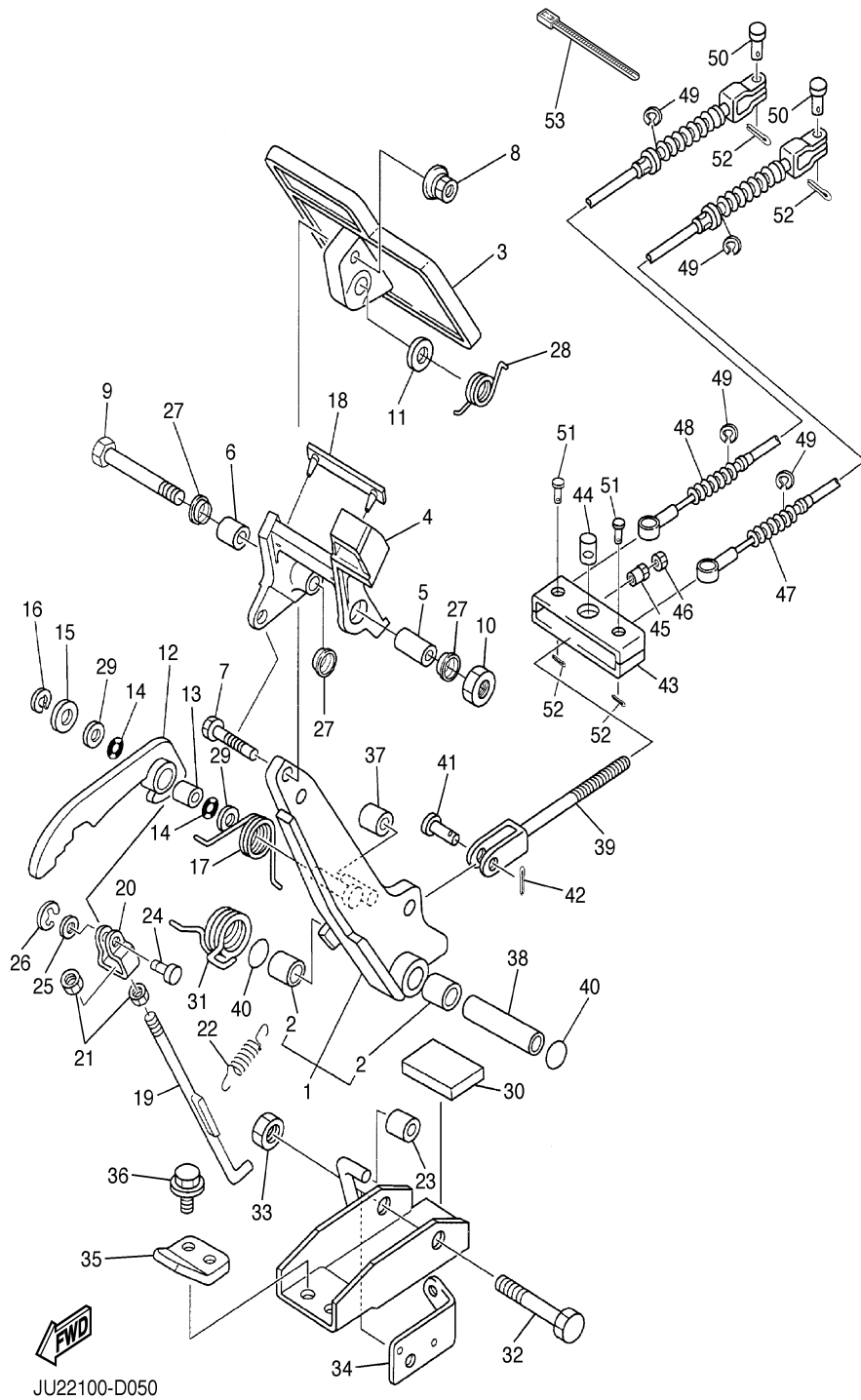
## CONTENTS

ACCELERATOR	A12
BATTERY CHARGER DPI	D6
BATTERY CHARGER MAC	D5
BODY 1	B7-8
BODY 2	B9-10
BODY FITTING	B11
BRAKE 1	A8-9
BRAKE 2	A10
BRAKE 3	A11
BUMPER	B6
CARRIER	B12
CONTROLLER 1 GE	
~JU2-202130	C6
CONTROLLER 1 MORIC	
JU2-202131~	C7-8
ELECTRIC MOTOR ADC	
JU2-205701~	C3
ELECTRIC MOTOR GE -	
JU2-205700	C2
ELECTRIC MOTOR HITACHI	C4-5
ELECTRICAL 1	
JU2-205701~305999	C11-12
ELECTRICAL 1 JU2-306201~	
LE MODEL ADC MOTOR	D3-4
ELECTRICAL 1 JU2-306201~	
WITH HITACHI MOTOR	D1-2
ELECTRICAL 1 ~JU2-205700	C9-10
FRAME	A3
FRONT SUSPENSION WHEEL	A4-5
OPTIONAL ENERGY/HOUR	
GAUGES	D12
OPTIONAL HUB CAPS	E1
OPTIONAL LIGHT KIT	D9
OPTIONAL LIGHT KIT	
STREAMLINE JU2	D10-11
OPTIONAL SUN ROOF	D8
OPTIONAL WINDSHIELD	D7
REAR ARM SUSPENSION	A2
REAR AXLE MOUNT WHEEL	B5
SEAT	C1
STEERING	A6-7
TRANSAXLE JU2-200101~	B3-4
TRANSAXLE ~JU0-199900	B1-2
~MODELS IN THIS CATALOG	E2

CONTINUED ON NEXT FRAME ►



# BRAKE 1



JU22100-D050

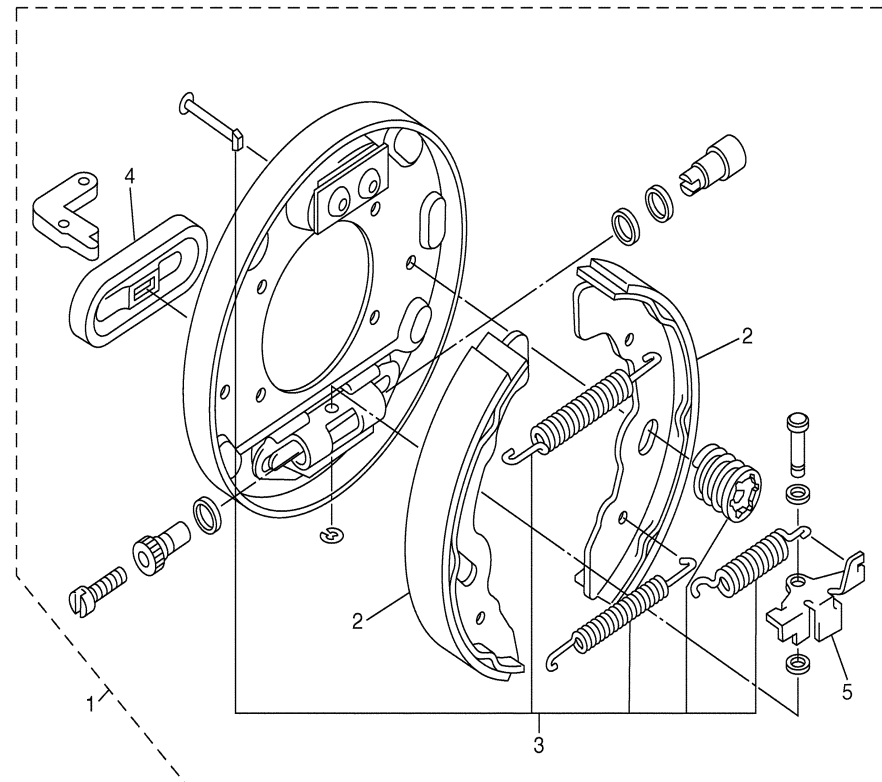
Ref. No.	Part Number	Description	Qty	Remarks
31	90508-40007-00	SPRING, TORSION	1	
32	90101-10884-00	BOLT	1	
33	95607-10200-00	NUT, U FLANGE	1	
34	J55-2252M-00-00	BRACKET, 3	1	
35	J17-27246-00-00	NAIL, BRAKE	1	
36	90105-08878-00	BOLT, FLANGE	2	
37	J17-25673-00-00	DAMPER, BRAKE	1	
38	90387-107F8-00	COLLAR	1	
39	JN6-F5685-00-00	ROD	1	
40	93210-132A8-00	O-RING	2	
41	91701-10022-00	PIN, CLEVIS	1	
42	91490-30015-00	PIN, COTTER	1	
43	JN6-F5681-00-00	EQUALIZER, BRAKE	1	
44	90249-14129-00	PIN	1	
45	90179-08894-00	NUT	1	
46	95307-08700-00	NUT	1	
47	JU0-F6341-00-00	CABLE, BRAKE	1	
48	JU0-F6351-00-00	CABLE, BRAKE	1	
49	99001-09600-00	CIRCLIP	4	
50	91701-08018-00	PIN, CLEVIS	2	
51	91701-08026-00	PIN, CLEVIS	2	
52	91490-25015-00	PIN, COTTER	4	
53	90464-31827-00	CLAMP	1	

## CONTENTS

ACCELERATOR	A12
BATTERY CHARGER DPI	D6
BATTERY CHARGER MAC	D5
BODY 1	B7-8
BODY 2	B9-10
BODY FITTING	B11
BRAKE 1	A8-9
BRAKE 2	A10
BRAKE 3	A11
BUMPER	B6
CARRIER	B12
CONTROLLER 1 GE ~JU2-202130	C6
CONTROLLER 1 MORIC JU2-202131~	C7-8
ELECTRIC MOTOR ADC JU2-205701~	C3
ELECTRIC MOTOR GE - JU2-205700	C2
ELECTRIC MOTOR HITACHI	C4-5
ELECTRICAL 1 JU2-205701~305999	C11-12
ELECTRICAL 1 JU2-306201~ LE MODEL ADC MOTOR	D3-4
ELECTRICAL 1 JU2-306201~ WITH HITACHI MOTOR	D1-2
ELECTRICAL 1 ~JU2-205700	C9-10
FRAME	A3
FRONT SUSPENSION WHEEL	A4-5
OPTIONAL ENERGY/HOUR GAUGES	D12
OPTIONAL HUB CAPS	E1
OPTIONAL LIGHT KIT	D9
OPTIONAL LIGHT KIT STREAMLINE JU2	D10-11
OPTIONAL SUN ROOF	D8
OPTIONAL WINDSHIELD	D7
REAR ARM SUSPENSION	A2
REAR AXLE MOUNT WHEEL	B5
SEAT	C1
STEERING	A6-7
TRANSAXLE JU2-200101~	B3-4
TRANSAXLE ~JU0-199900	B1-2
~MODELS IN THIS CATALOG	E2

# BRAKE 2

Ref. No.	Part Number	Description	Qty	Remarks
1	JN6-F7290-03-00	BACKING PLATE ASSY 2	1	(L.H.)
2	JN6-F5331-01-00	. BRAKE SHOE SET	1	1 EACH SIDE
3	JG5-F819G-00-00	. REPAIR PARTS KIT	1	
4	JN6-F7286-00-00	. COVER, DUST	1	
5	JN6-F722E-01-00	. LEVER, ADJUSTER (LH)	1	



## CONTENTS

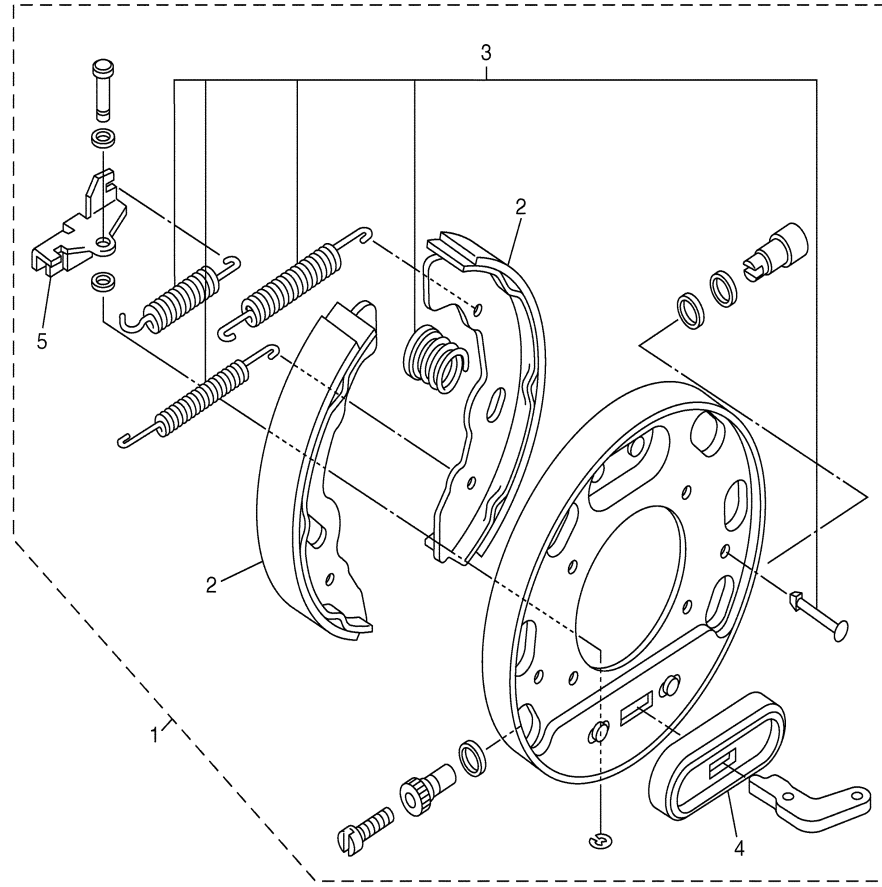
ACCELERATOR	A12
BATTERY CHARGER DPI	D6
BATTERY CHARGER MAC	D5
BODY 1	B7-8
BODY 2	B9-10
BODY FITTING	B11
BRAKE 1	A8-9
BRAKE 2	A10
BRAKE 3	A11
BUMPER	B6
CARRIER	B12
CONTROLLER 1 GE	
~JU2-202130	C6
CONTROLLER 1 MORIC	
JU2-202131~	C7-8
ELECTRIC MOTOR ADC	
JU2-205701~	C3
ELECTRIC MOTOR GE -	
JU2-205700	C2
ELECTRIC MOTOR HITACHI	C4-5
ELECTRICAL 1	
JU2-205701~305999	C11-12
ELECTRICAL 1 JU2-306201~	
LE MODEL ADC MOTOR	D3-4
ELECTRICAL 1 JU2-306201~	
WITH HITACHI MOTOR	D1-2
ELECTRICAL 1 ~JU2-205700	C9-10
FRAME	A3
FRONT SUSPENSION WHEEL	A4-5
OPTIONAL ENERGY/HOUR	
GAUGES	D12
OPTIONAL HUB CAPS	E1
OPTIONAL LIGHT KIT	D9
OPTIONAL LIGHT KIT	
STREAMLINE JU2	D10-11
OPTIONAL SUN ROOF	D8
OPTIONAL WINDSHIELD	D7
REAR ARM SUSPENSION	A2
REAR AXLE MOUNT WHEEL	B5
SEAT	C1
STEERING	A6-7
TRANSAXLE JU2-200101~	B3-4
TRANSAXLE ~JU0-199900	B1-2
~MODELS IN THIS CATALOG	E2



JT71010-B160

# BRAKE 3

Ref. No.	Part Number	Description	Qty	Remarks
1	JN6-F7280-03-00	BACKING PLATE ASSY 1	1	(R.H.)
2	JN6-F5331-01-00	. BRAKE SHOE SET	1	1 EACH SIDE
3	JG5-F819G-00-00	. REPAIR PARTS KIT	1	
4	JN6-F7286-00-00	. COVER, DUST	1	
5	JN6-F722F-00-00	. LEVER ADJUSTER (RH)	1	



## CONTENTS

ACCELERATOR	A12
BATTERY CHARGER DPI	D6
BATTERY CHARGER MAC	D5
BODY 1	B7-8
BODY 2	B9-10
BODY FITTING	B11
BRAKE 1	A8-9
BRAKE 2	A10
BRAKE 3	A11
BUMPER	B6
CARRIER	B12
CONTROLLER 1 GE	
~JU2-202130	C6
CONTROLLER 1 MORIC	
JU2-202131~	C7-8
ELECTRIC MOTOR ADC	
JU2-205701~	C3
ELECTRIC MOTOR GE ~	
JU2-205700	C2
ELECTRIC MOTOR HITACHI	C4-5
ELECTRICAL 1	
JU2-205701~305999	C11-12
ELECTRICAL 1 JU2-306201~	
LE MODEL ADC MOTOR	D3-4
ELECTRICAL 1 JU2-306201~	
WITH HITACHI MOTOR	D1-2
ELECTRICAL 1 ~JU2-205700	C9-10
FRAME	A3
FRONT SUSPENSION WHEEL	A4-5
OPTIONAL ENERGY/HOUR	
GAUGES	D12
OPTIONAL HUB CAPS	E1
OPTIONAL LIGHT KIT	D9
OPTIONAL LIGHT KIT	
STREAMLINE JU2	D10-11
OPTIONAL SUN ROOF	D8
OPTIONAL WINDSHIELD	D7
REAR ARM SUSPENSION	A2
REAR AXLE MOUNT WHEEL	B5
SEAT	C1
STEERING	A6-7
TRANSAXLE JU2-200101~	B3-4
TRANSAXLE ~JU0-199900	B1-2
~MODELS IN THIS CATALOG	E2



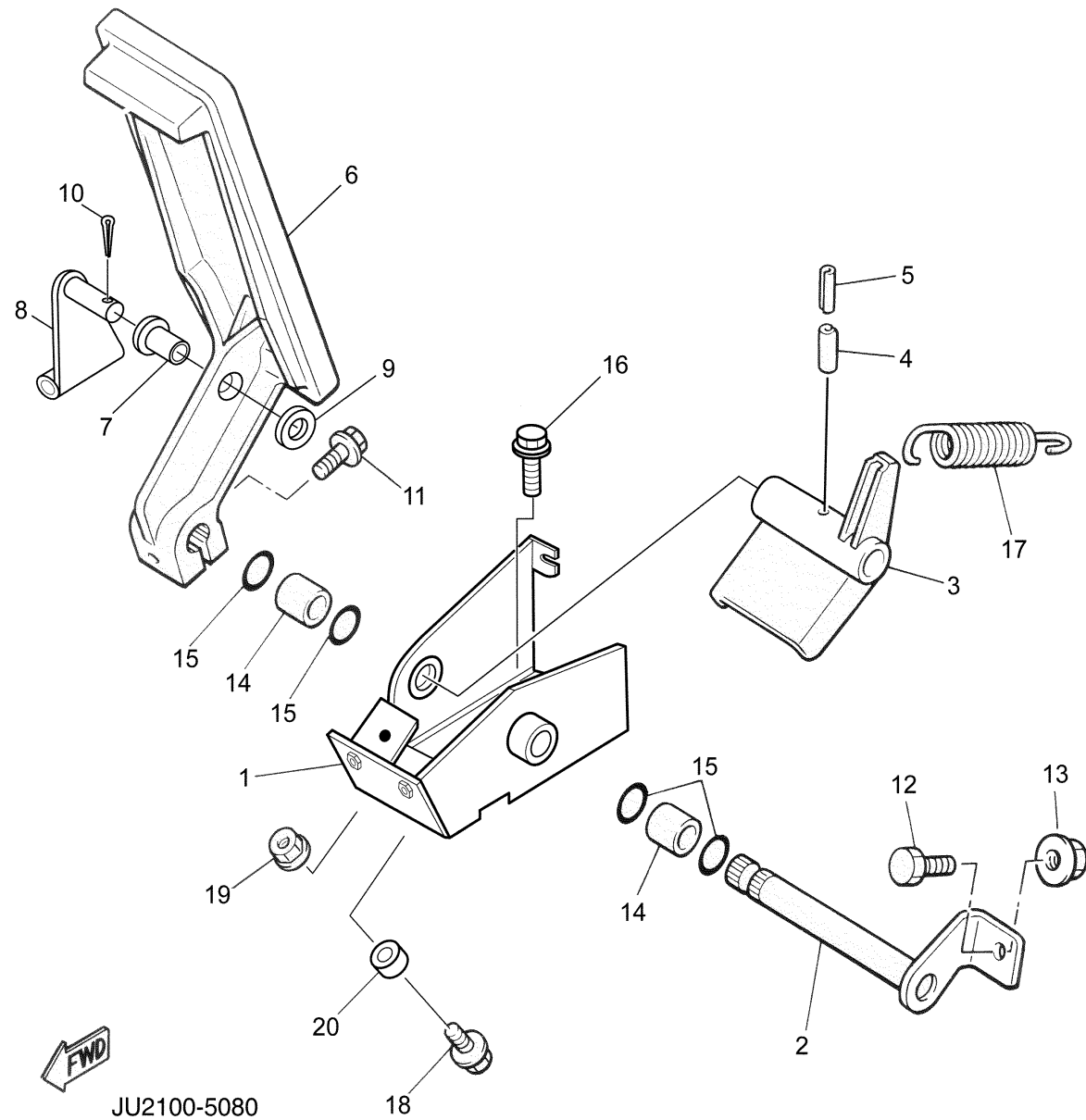
JT71010-B170

# ACCELERATOR

Ref. No.	Part Number	Description	Qty	Remarks
1	JN6-F7874-01-00	BRACKET, ACCELERATOR PEDAL .....	1	
2	J17-27853-01-00	SHAFT, PEDAL 1 .....	1	
3	J22-27872-00-00	ARM, ACCELERATOR PEDAL .	1	
4	91609-60028-00	PIN, SPRING .....	1	
5	91609-35028-00	PIN, SPRING .....	1	
6	JF3-27871-00-00	PEDAL, ACCELERATOR .....	1	
7	90381-06033-00	BUSH, SOLID .....	1	
8	J14-27815-00-00	LEVER, CRANK PEDAL .....	1	
9	9290P-06600-00	WASHER .....	1	
10	91401-20012-00	PIN, COTTER .....	1	
11	95807-06025-00	BOLT, FLANGE .....	1	
12	90106-08806-00	BOLT .....	1	
13	95707-08500-00	NUT, FLANGE .....	1	
14	90384-14080-00	BUSH, BIMETAL FORMED ....	2	
15	93210-14104-00	O-RING .....	4	
16	90105-08878-00	BOLT, FLANGE .....	3	
17	90506-26282-00	SPRING, TENSION .....	1	
18	95807-06025-00	BOLT, FLANGE .....	1	
19	95707-06500-00	NUT, FLANGE .....	1	
20	90387-068T4-00	COLLAR .....	1	

## CONTENTS

ACCELERATOR	A12
BATTERY CHARGER DPI	D6
BATTERY CHARGER MAC	D5
BODY 1	B7-8
BODY 2	B9-10
BODY FITTING	B11
BRAKE 1	A8-9
BRAKE 2	A10
BRAKE 3	A11
BUMPER	B6
CARRIER	B12
CONTROLLER 1 GE	
~JU2-202130	C6
CONTROLLER 1 MORIC	
JU2-202131~	C7-8
ELECTRIC MOTOR ADC	
JU2-205701~	C3
ELECTRIC MOTOR GE -	
JU2-205700	C2
ELECTRIC MOTOR HITACHI	C4-5
ELECTRICAL 1	
JU2-205701~305999	C11-12
ELECTRICAL 1 JU2-306201~	
LE MODEL ADC MOTOR	D3-4
ELECTRICAL 1 JU2-306201~	
WITH HITACHI MOTOR	D1-2
ELECTRICAL 1 ~JU2-205700	C9-10
FRAME	A3
FRONT SUSPENSION WHEEL	A4-5
OPTIONAL ENERGY/HOUR	
GAUGES	D12
OPTIONAL HUB CAPS	E1
OPTIONAL LIGHT KIT	D9
OPTIONAL LIGHT KIT	
STREAMLINE JU2	D10-11
OPTIONAL SUN ROOF	D8
OPTIONAL WINDSHIELD	D7
REAR ARM SUSPENSION	A2
REAR AXLE MOUNT WHEEL	B5
SEAT	C1
STEERING	A6-7
TRANSAXLE JU2-200101~	B3-4
TRANSAXLE ~JU0-199900	B1-2
~MODELS IN THIS CATALOG	E2

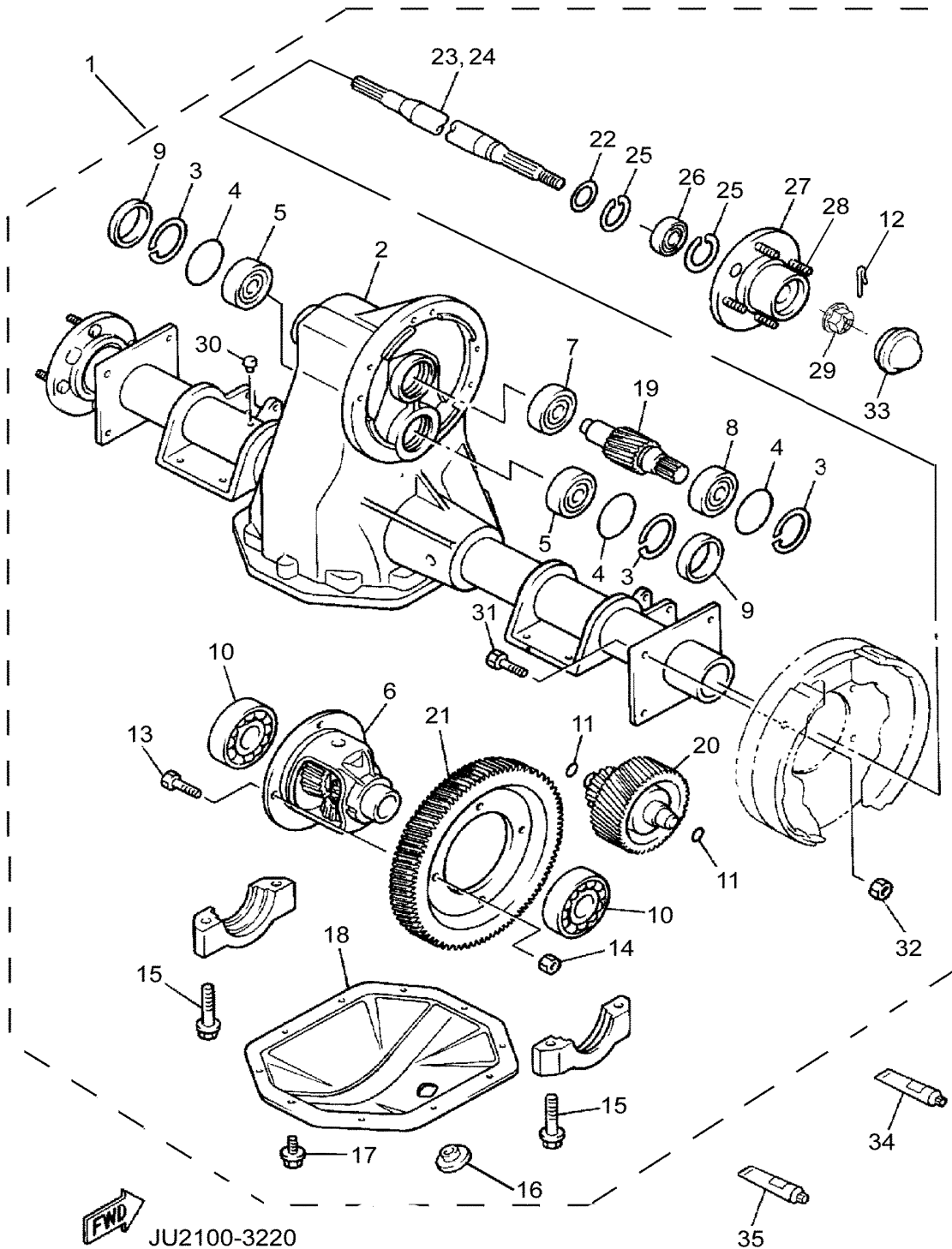


# TRANSAXLE ~JU0-199900

Ref. No.	Part Number	Description	Qty	Remarks
1	JR1-G6300-04-00	TRANS AXLE ASSY	1	
2	JR1-G6310-20-00	. CASE ASSY	1	
3	93420-50804-00	. CIRCLIP	3	
4	93210-478B8-00	. O-RING	3	
5	93306-303Y6-00	. BEARING	2	
6	JN6-G6410-00-00	. DIFFERENTIAL ASSY	1	
7	93306-203X1-00	. BEARING	1	
8	93306-005Y1-00	. BEARING	1	
9	JH7-G3396-00-00	. PLUG, BLIND	2	
10	93306-007Y0-00	. BEARING	2	
11	93210-148B9-00	. O-RING	2	
12	91490-25030-00	. PIN, COTTER	2	
13	90101-10854-00	. BOLT	4	
14	90170-10840-00	. NUT	4	
15	90105-10840-00	. BOLT, FLANGE	4	
16	JN3-G6432-00-00	. STOPPER	1	
17	90101-08856-00	. BOLT	10	
18	JR1-G6312-11-00	. CASE, TRANSMISSION 2	1	
19	JU2-G6321-00-00	. SHAFT, INPUT	1	
20	JU2-G6350-00-00	. COUNTER GEAR ASSY	1	
21	JU2-G6421-00-00	. GEAR, RING	1	
22	93101-24822-00	. OIL SEAL	2	
23	JR1-G6512-00-00	. SHAFT, REAR AXLE 2 (R.H.)	1	
24	JR1-G6511-00-00	. SHAFT, REAR AXLE 1 (L.H.)	1	
25	93420-44805-00	. CIRCLIP	4	
26	93306-004X5-00	. BEARING	2	
27	JN3-G6514-00-00	. HUB, REAR AXLE	2	
28	90114-12804-00	. . BOLT, SERRATION	4	
29	90185-16833-00	. NUT, SELF-LOCKING	2	
30	JH7-G5619-00-00	. CAP	1	

## CONTENTS

ACCELERATOR	A12
BATTERY CHARGER DPI	D6
BATTERY CHARGER MAC	D5
BODY 1	B7-8
BODY 2	B9-10
BODY FITTING	B11
BRAKE 1	A8-9
BRAKE 2	A10
BRAKE 3	A11
BUMPER	B6
CARRIER	B12
CONTROLLER 1 GE	
~JU2-202130	C6
CONTROLLER 1 MORIC	
JU2-202131~	C7-8
ELECTRIC MOTOR ADC	
JU2-205701~	C3
ELECTRIC MOTOR GE -	
JU2-205700	C2
ELECTRIC MOTOR HITACHI	C4-5
ELECTRICAL 1	
JU2-205701~305999	C11-12
ELECTRICAL 1 JU2-306201~	
LE MODEL ADC MOTOR	D3-4
ELECTRICAL 1 JU2-306201~	
WITH HITACHI MOTOR	D1-2
ELECTRICAL 1 ~JU2-205700	C9-10
FRAME	A3
FRONT SUSPENSION WHEEL	A4-5
OPTIONAL ENERGY/HOUR	
GAUGES	D12
OPTIONAL HUB CAPS	E1
OPTIONAL LIGHT KIT	D9
OPTIONAL LIGHT KIT	
STREAMLINE JU2	D10-11
OPTIONAL SUN ROOF	D8
OPTIONAL WINDSHIELD	D7
REAR ARM SUSPENSION	A2
REAR AXLE MOUNT WHEEL	B5
SEAT	C1
STEERING	A6-7
TRANSAXLE JU2-200101~	B3-4
TRANSAXLE ~JU0-199900	B1-2
~MODELS IN THIS CATALOG	E2



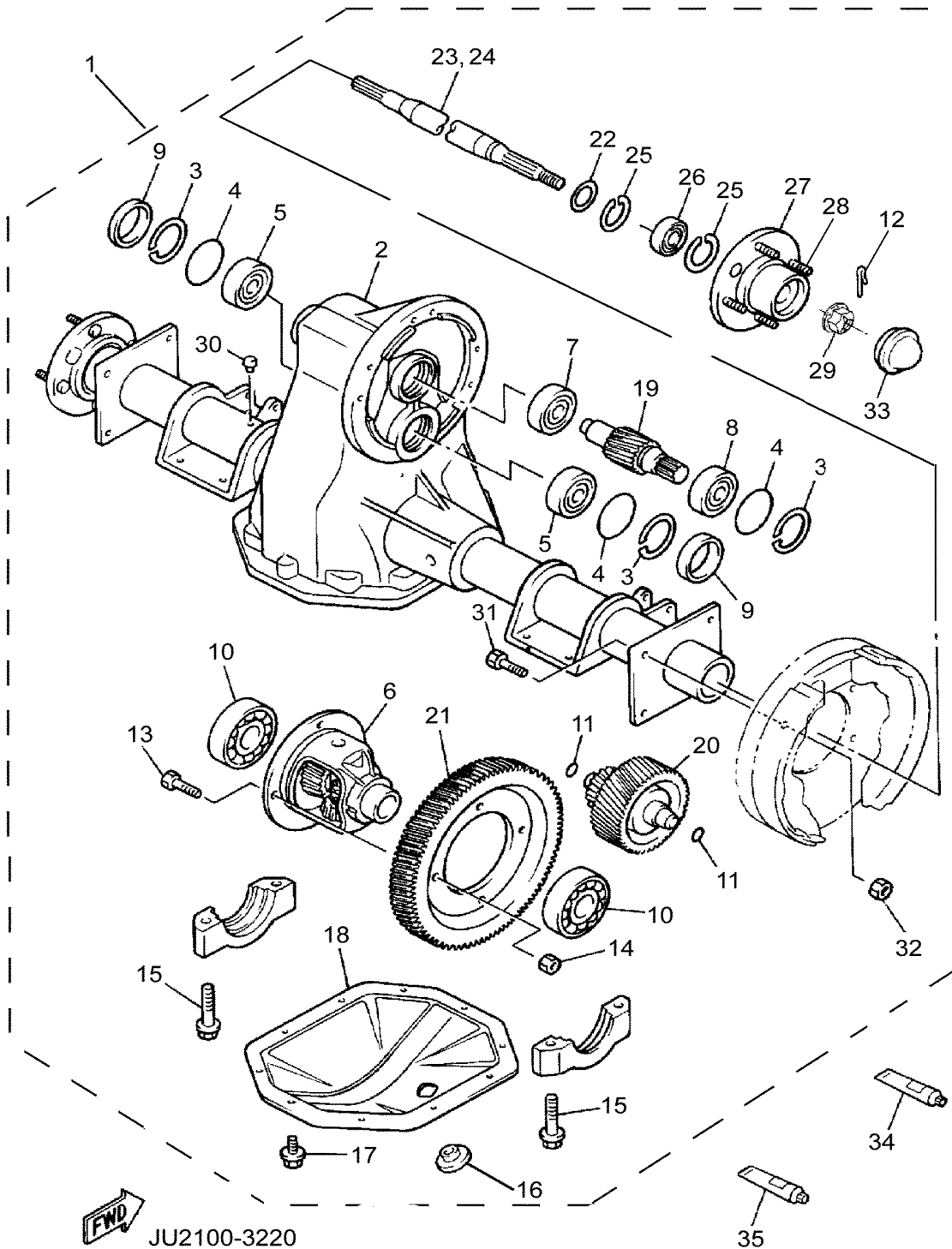
CONTINUED ON NEXT FRAME ►

# TRANSAXLE ~JU0-199900

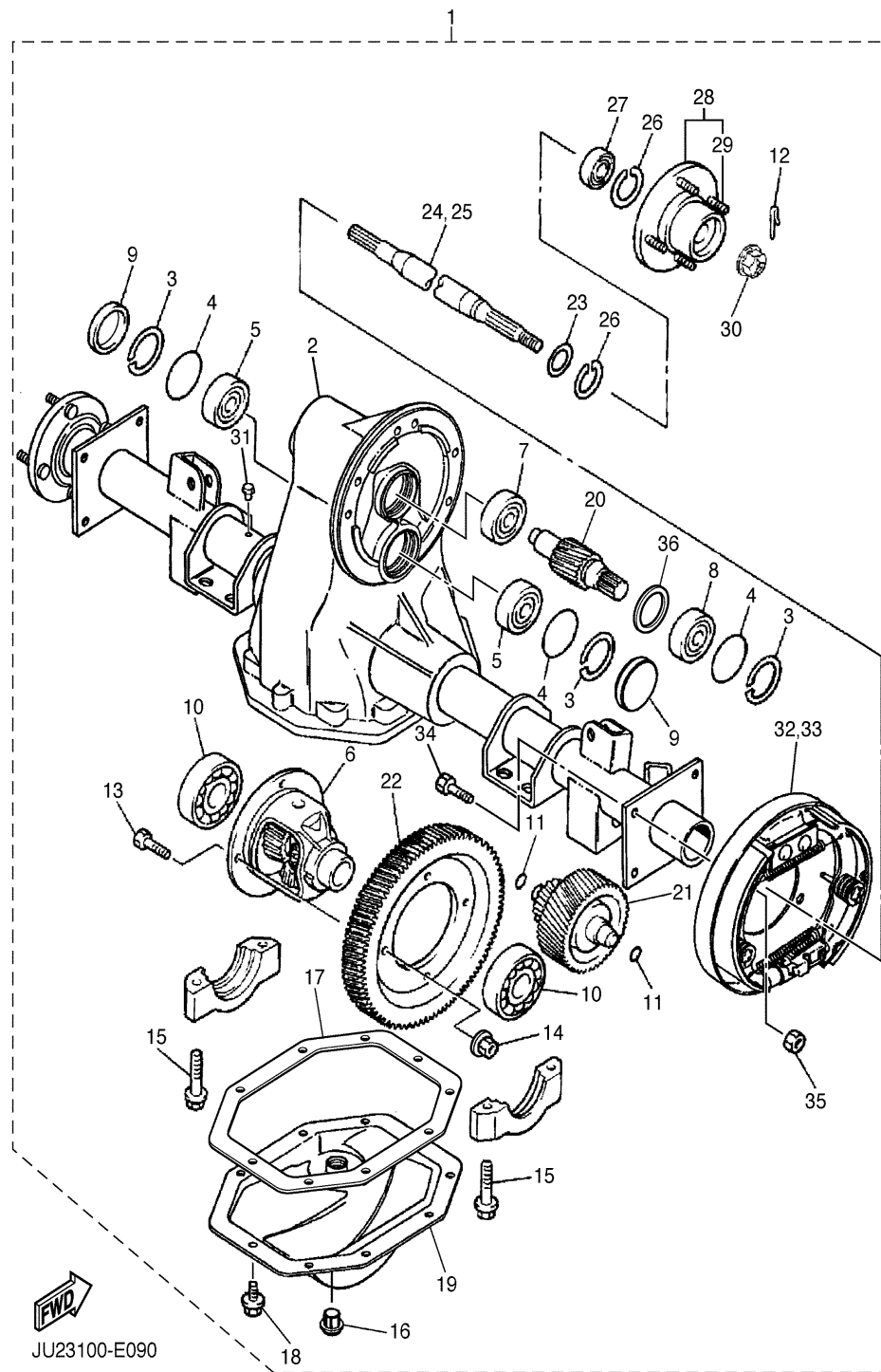
Ref. No.	Part Number	Description	Qty	Remarks
31	90101-08855-00	. BOLT	8	
32	90170-08841-00	. NUT	8	
33	JN6-F5118-00-00	. COVER, HUB DUST	2	
34	ACC-YAMAB-ON-05	YAMABOND #5	1	MOTOR TO AXLE
35	ACC-QUICK-GS-KT	SEALANT	1	COVER TO DIFFERENTIAL

## CONTENTS

ACCELERATOR	A12
BATTERY CHARGER DPI	D6
BATTERY CHARGER MAC	D5
BODY 1	B7-8
BODY 2	B9-10
BODY FITTING	B11
BRAKE 1	A8-9
BRAKE 2	A10
BRAKE 3	A11
BUMPER	B6
CARRIER	B12
CONTROLLER 1 GE ~JU2-202130	C6
CONTROLLER 1 MORIC JU2-202131~	C7-8
ELECTRIC MOTOR ADC JU2-205701~	C3
ELECTRIC MOTOR GE ~JU2-205700	C2
ELECTRIC MOTOR HITACHI	C4-5
ELECTRICAL 1 JU2-205701~305999	C11-12
ELECTRICAL 1 JU2-306201~LE MODEL ADC MOTOR	D3-4
ELECTRICAL 1 JU2-306201~WITH HITACHI MOTOR	D1-2
ELECTRICAL 1 ~JU2-205700	C9-10
FRAME	A3
FRONT SUSPENSION WHEEL	A4-5
OPTIONAL ENERGY/HOUR GAUGES	D12
OPTIONAL HUB CAPS	E1
OPTIONAL LIGHT KIT	D9
OPTIONAL LIGHT KIT STREAMLINE JU2	D10-11
OPTIONAL SUN ROOF	D8
OPTIONAL WINDSHIELD	D7
REAR ARM SUSPENSION	A2
REAR AXLE MOUNT WHEEL	B5
SEAT	C1
STEERING	A6-7
TRANSAXLE JU2-200101~	B3-4
TRANSAXLE ~JU0-199900 ~MODELS IN THIS CATALOG	B1-2
	E2



# TRANSAXLE JU2-200101~



JU23100-E090

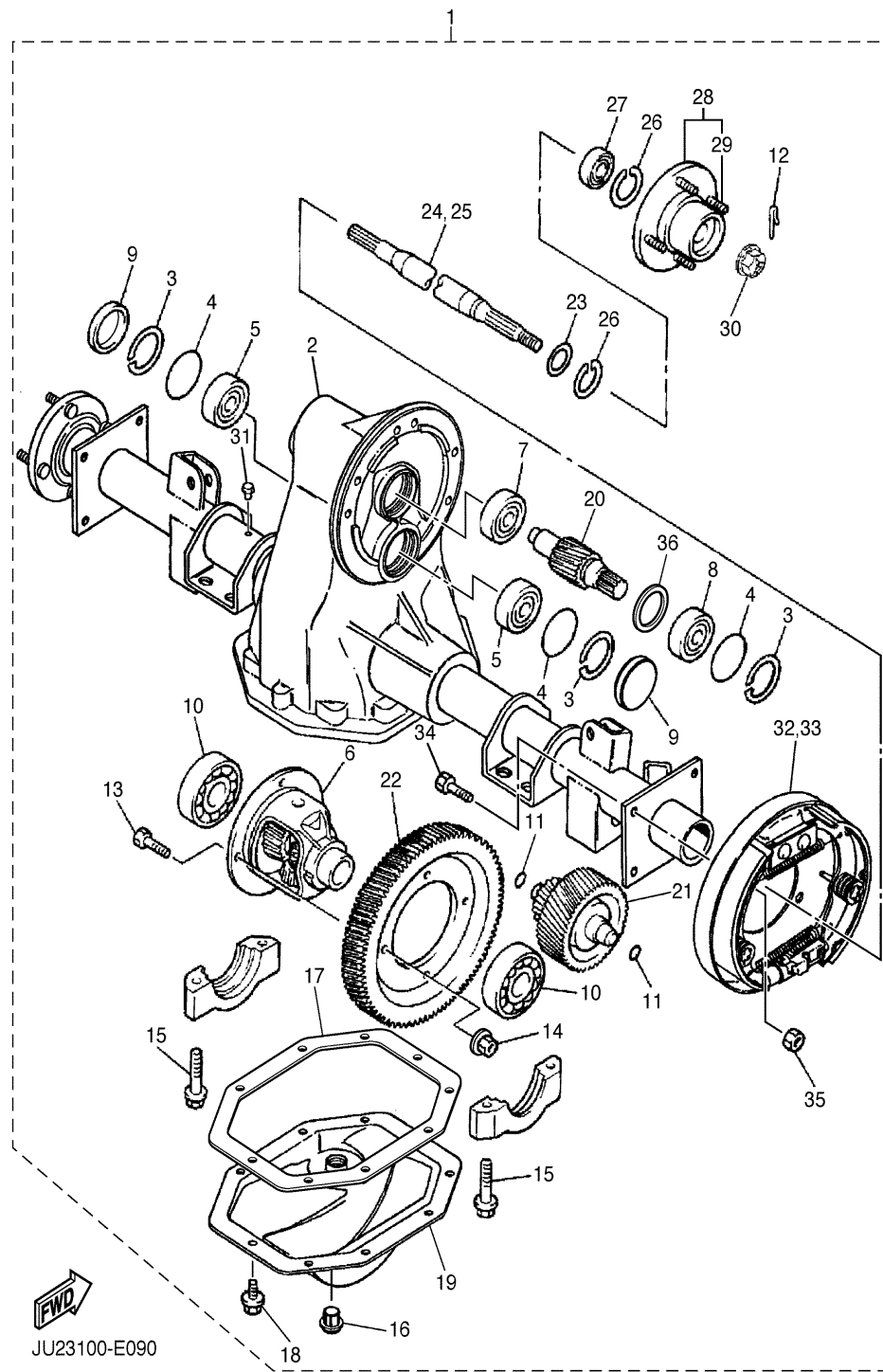
Ref. No.	Part Number	Description	Qty	Remarks
1	JU2-G6300-00-00	TRANS AXLE ASSY .....	1	UR ~JU2-205700
	JU2-G6300-01-00	TRANS AXLE ASSY .....	1	UR JU2-205701~
2	JR1-G6310-20-00	. CASE ASSY .....	1	
3	93420-50804-00	. CIRCLIP .....	3	
4	93210-478B8-00	. O-RING .....	3	
5	93306-303Y6-00	. BEARING .....	2	
6	JU2-G6410-00-00	. DIFFERENTIAL ASSY .....	1	
7	93306-203X1-00	. BEARING .....	1	
8	93306-005Y1-00	. BEARING .....	1	SEE TECH BULLETIN G05-004
9	JH7-G3396-01-00	. PLUG, BLIND .....	2	
10	93306-007Y0-00	. BEARING .....	2	
11	93210-148B9-00	. O-RING .....	2	
12	91490-25025-00	. PIN, COTTER .....	2	
13	90101-10854-00	. BOLT .....	4	
14	90170-10840-00	. NUT .....	4	
15	90105-10840-00	. BOLT, FLANGE .....	4	
16	JN3-G6432-00-00	. STOPPER .....	1	
17	JU0-G631A-00-00	. GASKET, CASE .....	1	
18	90101-08856-00	. BOLT .....	10	
19	JU2-G6312-00-00	. CASE, TRANSMISSION 2 .....	1	
20	JU2-G6321-00-00	. SHAFT, INPUT .....	1	
21	JU2-G6350-00-00	. COUNTER GEAR ASSY .....	1	
22	JU2-G6421-00-00	. GEAR, RING .....	1	
23	93101-24822-00	. OIL SEAL .....	2	
24	JR1-G6512-00-00	. SHAFT, REAR AXLE 2 (R.H.) .	1	
25	JR1-G6511-00-00	. SHAFT, REAR AXLE 1 (L.H.) .	1	
26	93420-44805-00	. CIRCLIP .....	4	
27	93306-004X5-00	. BEARING .....	2	
28	JN3-G6514-00-00	. HUB, REAR AXLE .....	2	

## CONTENTS

ACCELERATOR	A12
BATTERY CHARGER DPI	D6
BATTERY CHARGER MAC	D5
BODY 1	B7-8
BODY 2	B9-10
BODY FITTING	B11
BRAKE 1	A8-9
BRAKE 2	A10
BRAKE 3	A11
BUMPER	B6
CARRIER	B12
CONTROLLER 1 GE	
~JU2-202130	C6
CONTROLLER 1 MORIC	
JU2-202131~	C7-8
ELECTRIC MOTOR ADC	
JU2-205701~	C3
ELECTRIC MOTOR GE -	
JU2-205700	C2
ELECTRIC MOTOR HITACHI	C4-5
ELECTRICAL 1	
JU2-205701~305999	C11-12
ELECTRICAL 1 JU2-306201~	
LE MODEL ADC MOTOR	D3-4
ELECTRICAL 1 JU2-306201~	
WITH HITACHI MOTOR	D1-2
ELECTRICAL 1 ~JU2-205700	C9-10
FRAME	A3
FRONT SUSPENSION WHEEL	A4-5
OPTIONAL ENERGY/HOUR	
GAUGES	D12
OPTIONAL HUB CAPS	E1
OPTIONAL LIGHT KIT	D9
OPTIONAL LIGHT KIT	
STREAMLINE JU2	D10-11
OPTIONAL SUN ROOF	D8
OPTIONAL WINDSHIELD	D7
REAR ARM SUSPENSION	A2
REAR AXLE MOUNT WHEEL	B5
SEAT	C1
STEERING	A6-7
TRANSAXLE JU2-200101~	B3-4
TRANSAXLE ~JU0-199900	B1-2
~MODELS IN THIS CATALOG	E2

CONTINUED ON NEXT FRAME >

# TRANSAXLE JU2-200101~



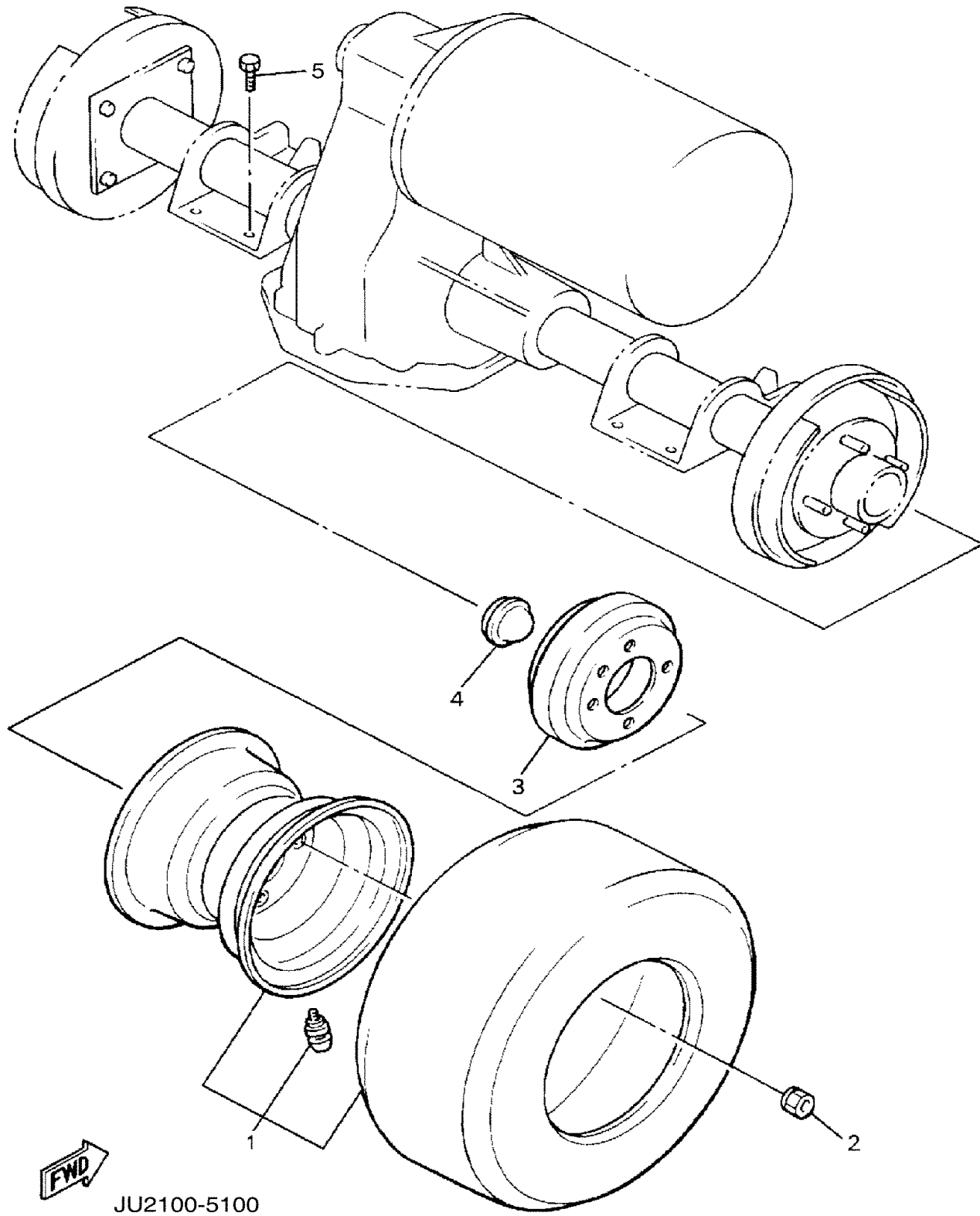
Ref. No.	Part Number	Description	Qty	Remarks
29	90114-12804-00	. . BOLT, SERRATION . . . . .	4	
30	90185-16833-00	. NUT, SELF-LOCKING . . . . .	2	
31	JH7-G5619-00-00	. CAP . . . . .	1	JU2-205701~
32	JN6-F7280-03-00	. BACKING PLATE ASSY 1 . . . . .	1	SEE BRAKE 3 (R.H.)
33	JN6-F7290-03-00	. BACKING PLATE ASSY 2 . . . . .	1	SEE BRAKE 2 (L.H.)
34	90101-08855-00	. BOLT . . . . .	8	
35	90170-08841-00	. NUT . . . . .	8	
36	JU2-G6128-00-00	. SPACER, BEARING . . . . .	1	JU2-205701~ SEE TECH BULLETIN G05-004

## CONTENTS

ACCELERATOR	A12
BATTERY CHARGER DPI	D6
BATTERY CHARGER MAC	D5
BODY 1	B7-8
BODY 2	B9-10
BODY FITTING	B11
BRAKE 1	A8-9
BRAKE 2	A10
BRAKE 3	A11
BUMPER	B6
CARRIER	B12
CONTROLLER 1 GE	
~JU2-202130	C6
CONTROLLER 1 MORIC	
JU2-202131~	C7-8
ELECTRIC MOTOR ADC	
JU2-205701~	C3
ELECTRIC MOTOR GE -	
JU2-205700	C2
ELECTRIC MOTOR HITACHI	C4-5
ELECTRICAL 1	
JU2-205701~305999	C11-12
ELECTRICAL 1 JU2-306201~	
LE MODEL ADC MOTOR	D3-4
ELECTRICAL 1 JU2-306201~	
WITH HITACHI MOTOR	D1-2
ELECTRICAL 1 ~JU2-205700	C9-10
FRAME	A3
FRONT SUSPENSION WHEEL	A4-5
OPTIONAL ENERGY/HOUR	
GAUGES	D12
OPTIONAL HUB CAPS	E1
OPTIONAL LIGHT KIT	D9
OPTIONAL LIGHT KIT	
STREAMLINE JU2	D10-11
OPTIONAL SUN ROOF	D8
OPTIONAL WINDSHIELD	D7
REAR ARM SUSPENSION	A2
REAR AXLE MOUNT WHEEL	B5
SEAT	C1
STEERING	A6-7
TRANSAXLE JU2-200101~	B3-4
TRANSAXLE ~JU0-199900	B1-2
~MODELS IN THIS CATALOG	E2



# REAR AXLE MOUNT WHEEL



Ref. No.	Part Number	Description	Qty	Remarks
1	JN6-F5100-11-00	WHEEL ASSY (18X8.5-8 4PR)	2	UR KENDA
	JU0-F5100-00-00	WHEEL ASSY (18X8.5-8 4PR)	2	UR MAXXIS PRORIDE
	JN6-F5100-30-00	WHEEL ASSY (18X8.5-8 4PR)	2	CHROME WHEEL FOR LE
2	90179-12262-00	NUT	8	
3	J55-G6521-10-00	DRUM	2	UR ~JU2-205700
	JU0-G6521-00-00	DRUM	2	UR JU2-205701~
4	JN6-F5118-00-00	COVER, HUB DUST	2	
5	9751P-10620-00	BOLT, WITH WASHER	8	

## CONTENTS

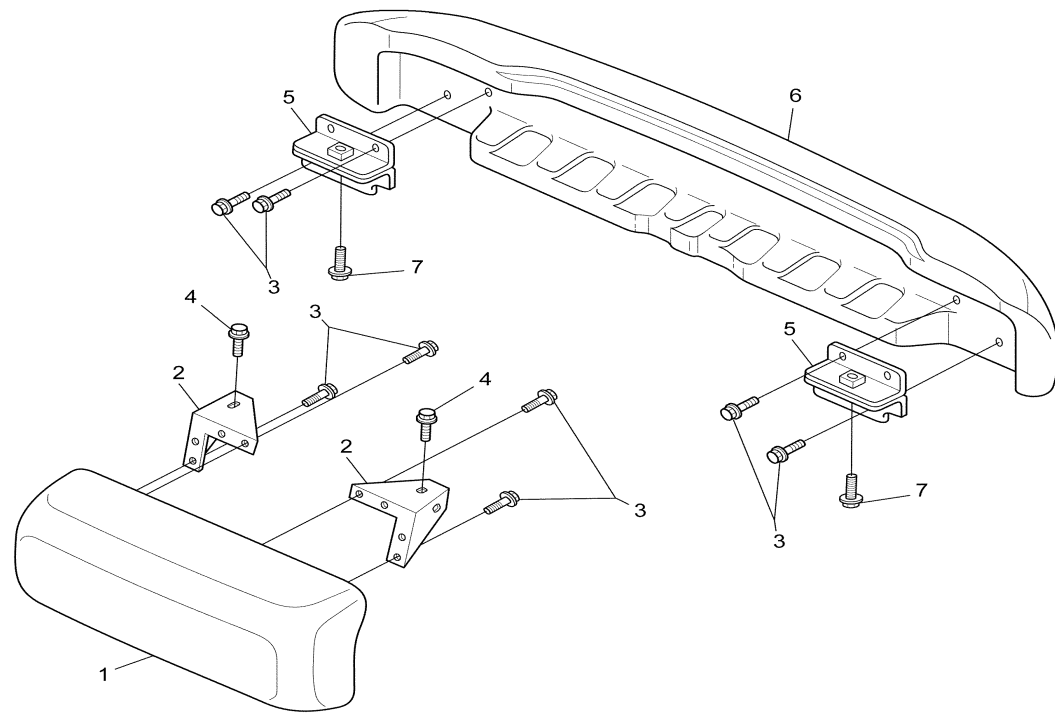
ACCELERATOR	A12
BATTERY CHARGER DPI	D6
BATTERY CHARGER MAC	D5
BODY 1	B7-8
BODY 2	B9-10
BODY FITTING	B11
BRAKE 1	A8-9
BRAKE 2	A10
BRAKE 3	A11
BUMPER	B6
CARRIER	B12
CONTROLLER 1 GE	
~JU2-202130	C6
CONTROLLER 1 MORIC	
JU2-202131~	C7-8
ELECTRIC MOTOR ADC	
JU2-205701~	C3
ELECTRIC MOTOR GE -	
JU2-205700	C2
ELECTRIC MOTOR HITACHI	C4-5
ELECTRICAL 1	
JU2-205701~305999	C11-12
ELECTRICAL 1 JU2-306201~	
LE MODEL ADC MOTOR	D3-4
ELECTRICAL 1 JU2-306201~	
WITH HITACHI MOTOR	D1-2
ELECTRICAL 1 ~JU2-205700	C9-10
FRAME	A3
FRONT SUSPENSION WHEEL	A4-5
OPTIONAL ENERGY/HOUR	
GAUGES	D12
OPTIONAL HUB CAPS	E1
OPTIONAL LIGHT KIT	D9
OPTIONAL LIGHT KIT	
STREAMLINE JU2	D10-11
OPTIONAL SUN ROOF	D8
OPTIONAL WINDSHIELD	D7
REAR ARM SUSPENSION	A2
REAR AXLE MOUNT WHEEL	B5
SEAT	C1
STEERING	A6-7
TRANSAXLE JU2-200101~	B3-4
TRANSAXLE ~JU0-199900	B1-2
~MODELS IN THIS CATALOG	E2

# BUMPER

Ref. No.	Part Number	Description	Qty	Remarks
1	JN3-K7510-02-00	FRONT BUMPER COMP. ....	1	
2	JU0-K8164-00-00	STAY, FRONT BUMPER .....	2	
3	90105-06876-00	BOLT, FLANGE .....	8	
4	9581P-08012-00	BOLT, FLANGE .....	2	
5	JN6-K7540-00-00	REAR BUMPER COMP. ....	1	
6	JN3-K8174-00-00	STAY, REAR BUMPER .....	2	
7	90105-10881-00	BOLT, FLANGE .....	2	

## CONTENTS

ACCELERATOR	A12
BATTERY CHARGER DPI	D6
BATTERY CHARGER MAC	D5
BODY 1	B7-8
BODY 2	B9-10
BODY FITTING	B11
BRAKE 1	A8-9
BRAKE 2	A10
BRAKE 3	A11
BUMPER	B6
CARRIER	B12
CONTROLLER 1 GE	
~JU2-202130	C6
CONTROLLER 1 MORIC	
JU2-202131~	C7-8
ELECTRIC MOTOR ADC	
JU2-205701~	C3
ELECTRIC MOTOR GE -	
JU2-205700	C2
ELECTRIC MOTOR HITACHI	C4-5
ELECTRICAL 1	
JU2-205701~305999	C11-12
ELECTRICAL 1 JU2-306201~	
LE MODEL ADC MOTOR	D3-4
ELECTRICAL 1 JU2-306201~	
WITH HITACHI MOTOR	D1-2
ELECTRICAL 1 ~JU2-205700	C9-10
FRAME	A3
FRONT SUSPENSION WHEEL	A4-5
OPTIONAL ENERGY/HOUR	
GAUGES	D12
OPTIONAL HUB CAPS	E1
OPTIONAL LIGHT KIT	D9
OPTIONAL LIGHT KIT	
STREAMLINE JU2	D10-11
OPTIONAL SUN ROOF	D8
OPTIONAL WINDSHIELD	D7
REAR ARM SUSPENSION	A2
REAR AXLE MOUNT WHEEL	B5
SEAT	C1
STEERING	A6-7
TRANSAXLE JU2-200101~	B3-4
TRANSAXLE ~JU0-199900	B1-2
~MODELS IN THIS CATALOG	E2



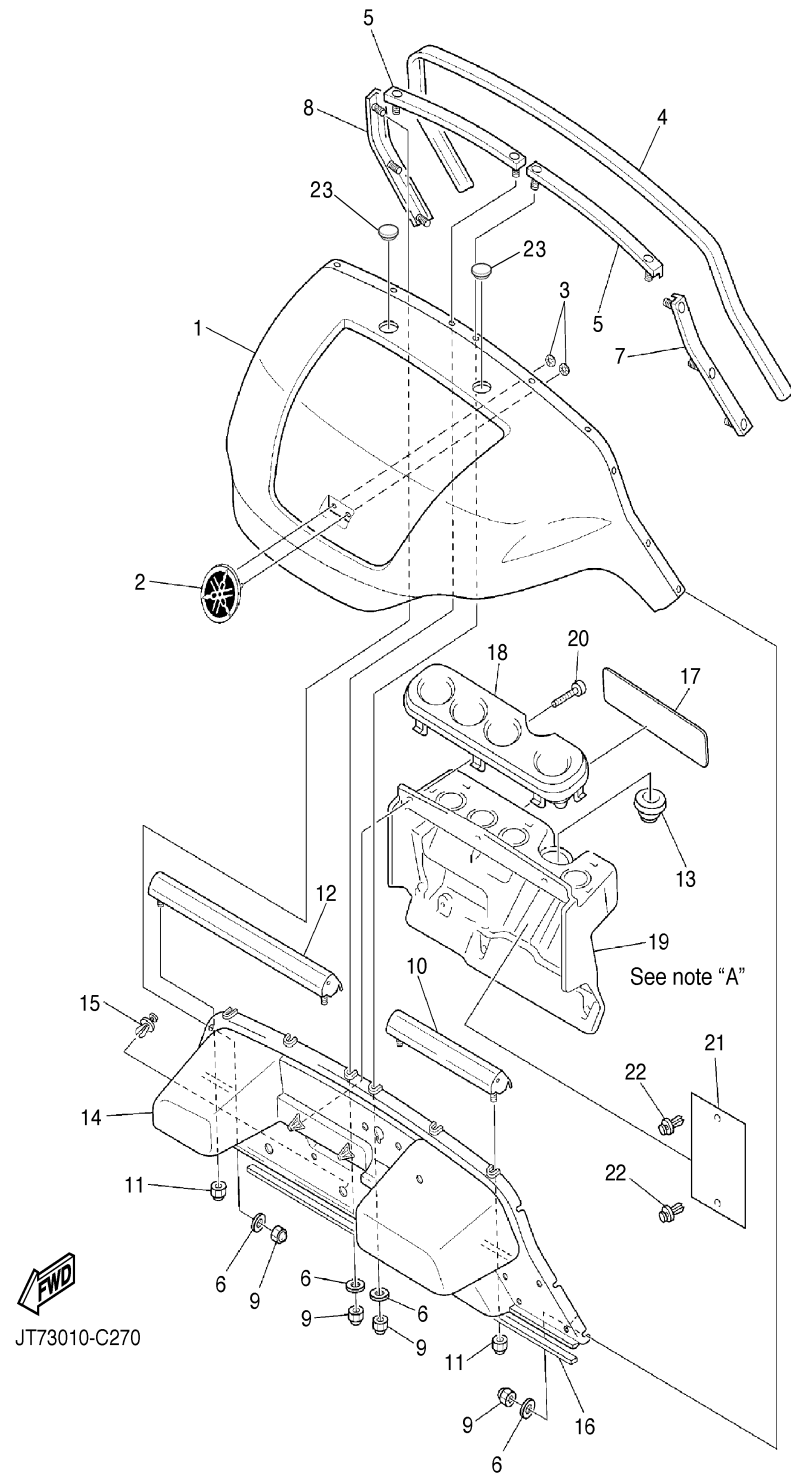
JU0100-5240

# BODY 1

Ref. No.	Part Number	Description	Qty	Remarks
1	JU0-K8115-00-00	COWL, FRONT .....	1	IVORY
	JU0-K8115-30-00	COWL, FRONT .....	1	BURGUNDY
	JU0-K8115-50-00	COWL, FRONT .....	1	HUNTER GREEN
	JU0-K8115-60-00	COWL, FRONT .....	1	CANDY APPLE RED
	JU0-K8115-70-00	COWL, FRONT .....	1	BRILLIANT BLUE MET.
	JU0-K8115-80-00	COWL, FRONT .....	1	BRIGHT BLUE MET.
	JU0-K8115-90-00	COWL, FRONT .....	1	PURE WHITE
2	JU0-F4161-00-00	EMBLEM 1 .....	1	
3	JU0-K7573-00-00	NUT, SPECIAL .....	2	
4	JF2-K811V-00-00	PROTECTOR 1 .....	1	
5	JU0-K8261-00-00	PLATE, BODY PROTECT 1 ...	2	
6	90201-06829-00	WASHER, PLATE .....	10	
7	JF2-K8262-01-00	PLATE, BODY PROTECT 2 ...	1	
8	JF2-K8263-01-00	PLATE, BODY PROTECT 3 ...	1	
9	90185-06836-00	NUT, SELF-LOCKING .....	10	
10	JN6-K8264-00-00	PLATE, BODY PROTECTOR ..	1	
11	9560P-06200-00	NUT, FLANGE .....	4	
12	JN6-K8265-00-00	PLATE, BODY PROTECT 5 ...	1	
13	JN3-K8273-00-00	COVER, HOLE .....	1	
14	JF2-K8114-02-00	PANEL, FRONT .....	1	
15	90269-08066-00	RIVET .....	3	
16	JN3-K815G-00-00	SEAL, FRONT STORAGE ....	1	
17	JR1-K7768-00-00	LABEL, WARNING .....	1	UR FOR USA
	JR1-K7768-20-00	LABEL, WARNING .....	1	UR FOR EUROPE
18	JN6-K835E-00-00	HOLDER, BEVERAGE .....	1	
19	JR1-K835G-00-00	HOUSING, HOLDER .....	1	SEE NOTE "A"
20	9770P-60130-00	SCREW, TAPPING .....	6	
21	JN6-K8182-00-00	PLATE 2 .....	1	
22	90267-63047-00	RIVET, BLIND .....	2	

## CONTENTS

ACCELERATOR	A12
BATTERY CHARGER DPI	D6
BATTERY CHARGER MAC	D5
BODY 1	B7-8
BODY 2	B9-10
BODY FITTING	B11
BRAKE 1	A8-9
BRAKE 2	A10
BRAKE 3	A11
BUMPER	B6
CARRIER	B12
CONTROLLER 1 GE ~JU2-202130	C6
CONTROLLER 1 MORIC JU2-202131~	C7-8
ELECTRIC MOTOR ADC JU2-205701~	C3
ELECTRIC MOTOR GE ~JU2-205700	C2
ELECTRIC MOTOR HITACHI ELECTRICAL 1 JU2-205701~305999	C4-5
ELECTRICAL 1 JU2-306201~LE MODEL ADC MOTOR	C11-12
ELECTRICAL 1 JU2-306201~WITH HITACHI MOTOR	D3-4
ELECTRICAL 1 ~JU2-205700	D1-2
FRONT SUSPENSION WHEEL	C9-10
FRAME	A3
OPTIONAL ENERGY/HOUR GAUGES	A4-5
OPTIONAL HUB CAPS	D12
OPTIONAL LIGHT KIT	E1
OPTIONAL LIGHT KIT STREAMLINE JU2	D9
OPTIONAL SUN ROOF	D10-11
OPTIONAL WINDSHIELD	D8
REAR ARM SUSPENSION	D7
REAR AXLE MOUNT WHEEL SEAT	A2
STEERING	B5
TRANSAXLE JU2-200101~	C1
TRANSAXLE ~JU0-199900 ~MODELS IN THIS CATALOG	A6-7
	B3-4
	B1-2
	E2



NOTE A: When replacing Holder Housing, JR1-K835G-00-00, you should also replace Warning Label, JR1-K7768-\*\*-00, Ref. #17.

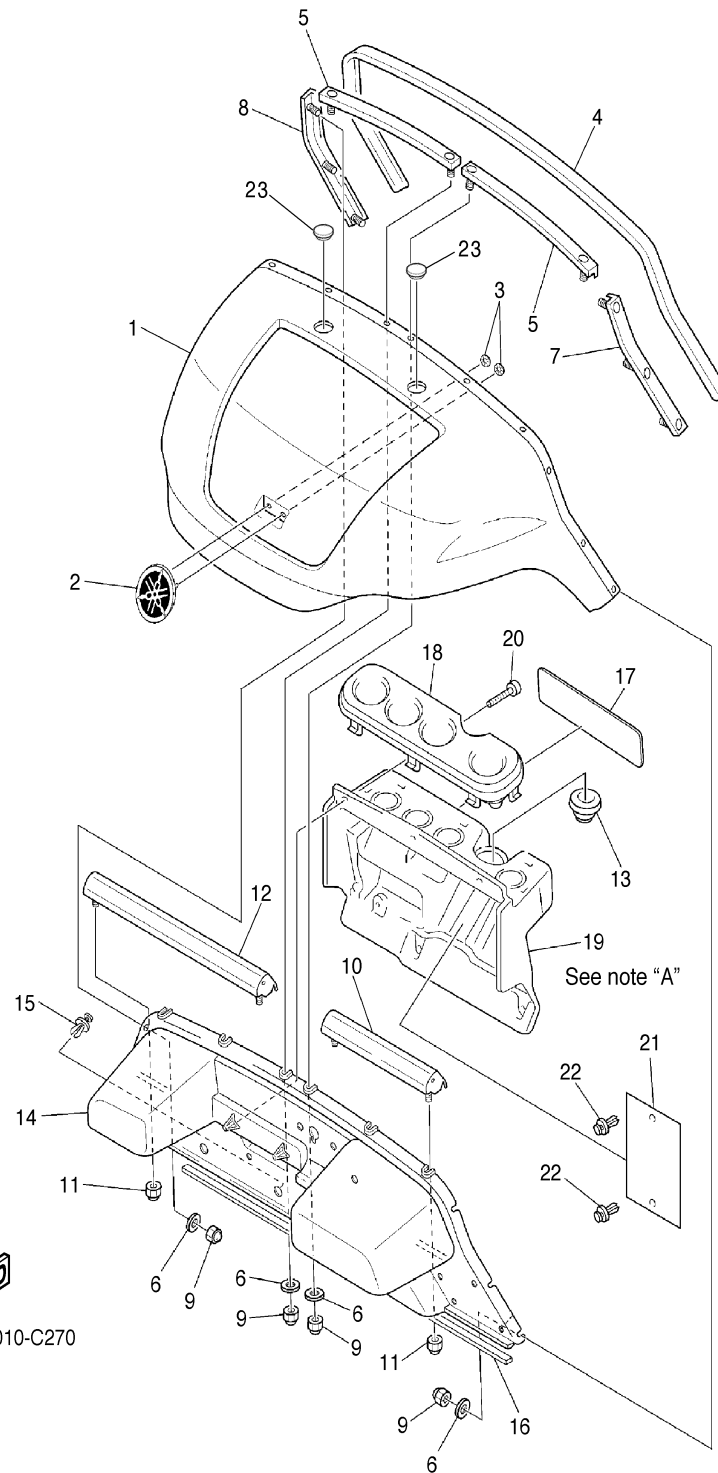
CONTINUED ON NEXT FRAME ►

# BODY 1

Ref. No.	Part Number	Description	Qty	Remarks
23	JN3-K818E-00-00	CAP, PROTECTOR .....	2	WITHOUT SUNTOP

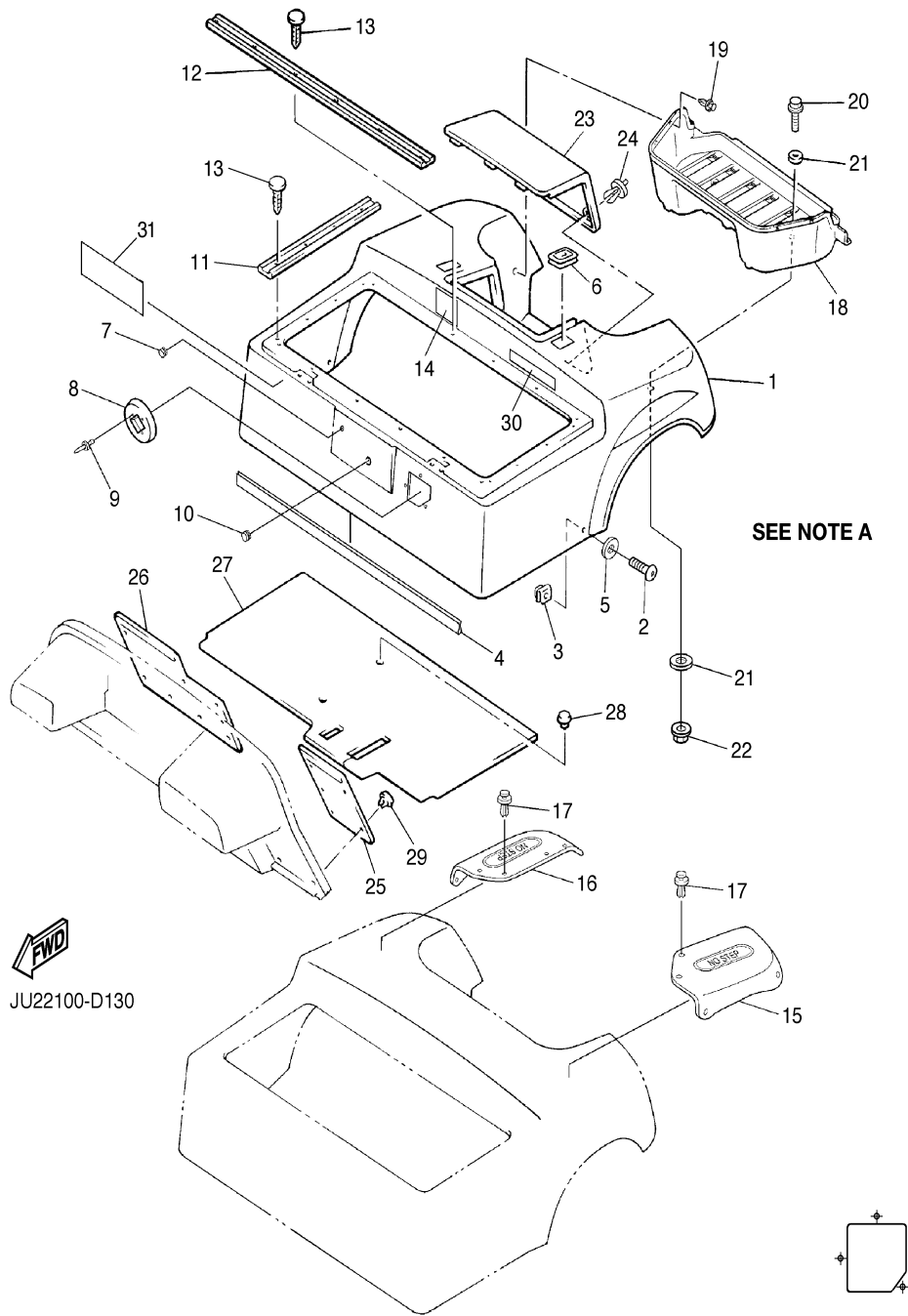
## CONTENTS

ACCELERATOR	A12
BATTERY CHARGER DPI	D6
BATTERY CHARGER MAC	D5
BODY 1	B7-8
BODY 2	B9-10
BODY FITTING	B11
BRAKE 1	A8-9
BRAKE 2	A10
BRAKE 3	A11
BUMPER	B6
CARRIER	B12
CONTROLLER 1 GE ~JU2-202130	C6
CONTROLLER 1 MORIC JU2-202131~	C7-8
ELECTRIC MOTOR ADC JU2-205701~	C3
ELECTRIC MOTOR GE ~ JU2-205700	C2
ELECTRIC MOTOR HITACHI	C4-5
ELECTRICAL 1 JU2-205701~305999	C11-12
ELECTRICAL 1 JU2-306201~ LE MODEL ADC MOTOR	D3-4
ELECTRICAL 1 JU2-306201~ WITH HITACHI MOTOR	D1-2
ELECTRICAL 1 ~JU2-205700	C9-10
FRAME	A3
FRONT SUSPENSION WHEEL	A4-5
OPTIONAL ENERGY/HOUR GAUGES	D12
OPTIONAL HUB CAPS	E1
OPTIONAL LIGHT KIT	D9
OPTIONAL LIGHT KIT STREAMLINE JU2	D10-11
OPTIONAL SUN ROOF	D8
OPTIONAL WINDSHIELD	D7
REAR ARM SUSPENSION	A2
REAR AXLE MOUNT WHEEL	B5
SEAT	C1
STEERING	A6-7
TRANSAXLE JU2-200101~	B3-4
TRANSAXLE ~JU0-199900	B1-2
~MODELS IN THIS CATALOG	E2



NOTE A: When replacing Holder Housing, JR1-K835G-00-00, you should also replace Warning Label, JR1-K7768-\*\*-00, Ref. #17.

# BODY 2



NOTE A: THE G22E REAR BODY PANEL REQUIRES AN OPENING BE MADE, SO THAT THE THE BATTERY CHARGER RECEPTICAL GUIDE (JN4-K827A-00-00) CAN BE MOUNTED. THE CORRECT SHAPE IS MARKED ON THE BACKSIDE OF THE BODY PANEL AND IS SHOWN ABOVE.

NOTE B: WHEN REPLACING THE G22E REAR BODY PANEL, YOU MUST ALSO REPLACE REF. #30, CAUTION PLATE 1 (JN4-K8297-10-00).

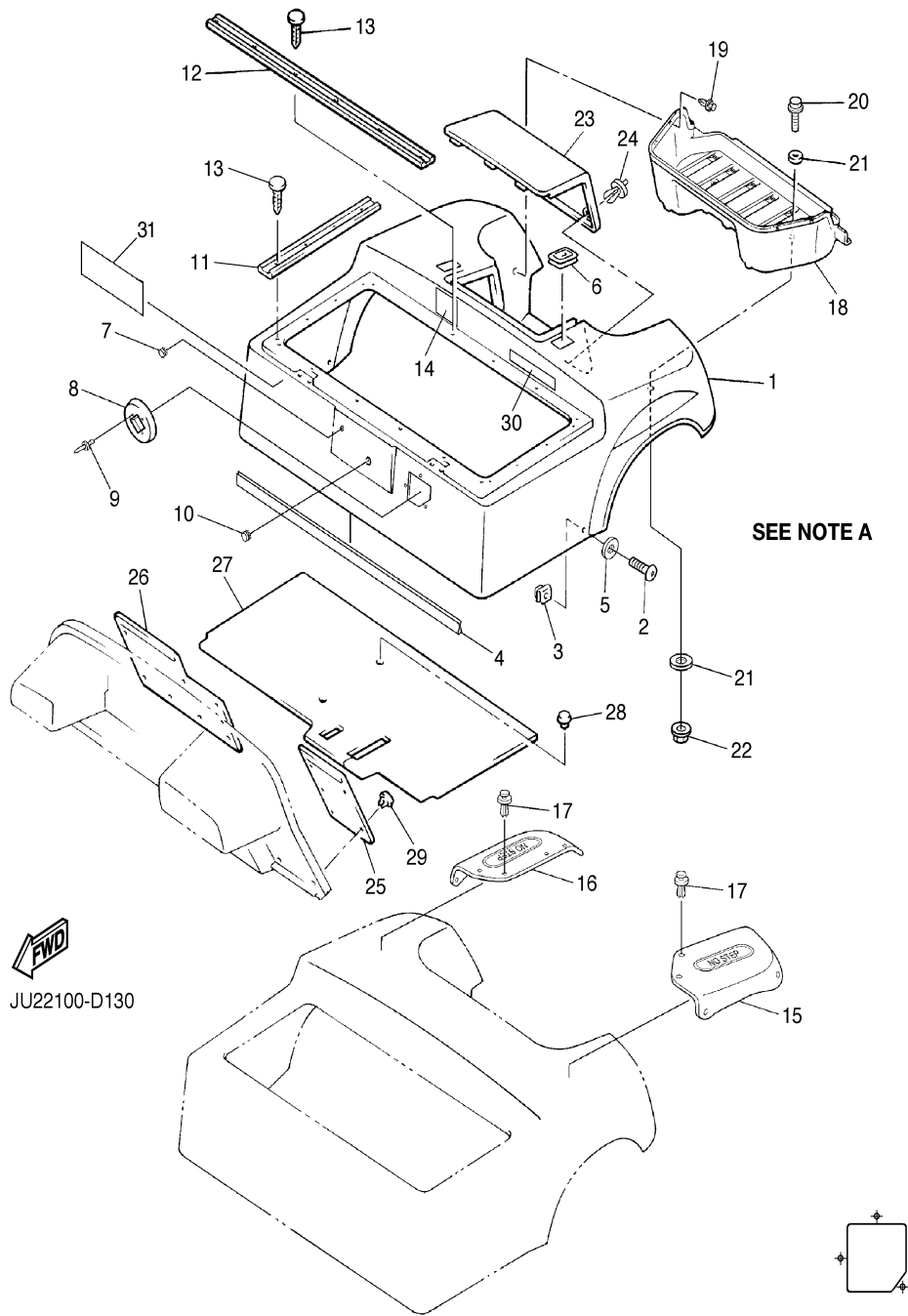
Ref. No.	Part Number	Description	Qty	Remarks
1	JN6-K8142-02-00	PANEL, REAR BODY .....	1	IVORY (SEE NOTE A)
	JN6-K8142-52-00	PANEL, REAR BODY .....	1	HUNTER GREEN (SEE NOTE A)
	JU0-K8142-32-00	PANEL, REAR BODY .....	1	BURGUNDY (SEE NOTE A)
	JU0-K8142-62-00	PANEL, REAR BODY .....	1	CANDY APPLE RED MET. (SEE NOTE A)
	JU0-K8142-82-00	PANEL, REAR BODY .....	1	BRIGHT BLUE MET. (SEE NOTE A)
	JU0-K8142-90-00	PANEL, REAR BODY .....	1	PURE WHITE (SEE NOTE A)
2	90110-06200-00	BOLT, HEX SOCKET HD .....	2	
3	90183-06811-00	NUT, SPRING .....	2	
4	JN6-K824E-00-00	TRIM, REAR BODY 1 .....	1	
5	90201-068H0-00	WASHER, PLATE .....	2	
6	JN3-K8363-00-00	PROTECTOR .....	2	
7	JR1-K8139-00-00	CAP, END .....	1	
8	JN4-K827A-00-00	GUIDE 1 .....	1	
9	90267-60840-00	RIVET, BLIND .....	3	
10	90338-25836-00	PLUG .....	1	
11	JN3-K8425-00-00	SEAL, SEAT .....	2	
12	JN3-K842A-00-00	SEAL, SEAT 2 .....	1	
13	90338-05834-00	PLUG .....	14	
14	JU2-K7765-00-00	LABEL, WARNING 5 .....	1	
15	JN3-K8243-00-00	MAT, REAR BODY SIDE (LH) .	1	
16	JN3-K8244-00-00	MAT, REAR BODY SIDE (RH) .	1	
17	90269-07810-00	RIVET .....	10	
18	JF2-K8237-00-00	COVER, REAR FLOOR .....	1	
19	90269-08813-00	RIVET .....	7	
20	90101-068G7-00	BOLT .....	2	
21	90201-068G7-00	WASHER, PLATE .....	4	

## CONTENTS

ACCELERATOR	A12
BATTERY CHARGER DPI	D6
BATTERY CHARGER MAC	D5
BODY 1	B7-8
BODY 2	B9-10
BODY FITTING	B11
BRAKE 1	A8-9
BRAKE 2	A10
BRAKE 3	A11
BUMPER	B6
CARRIER	B12
CONTROLLER 1 GE ~JU2-202130	C6
CONTROLLER 1 MORIC JU2-202131~	C7-8
ELECTRIC MOTOR ADC JU2-205701~	C3
ELECTRIC MOTOR GE ~JU2-205700	C2
ELECTRIC MOTOR HITACHI ELECTRICAL 1 JU2-205701~305999	C4-5
ELECTRICAL 1 JU2-306201~LE MODEL ADC MOTOR	C11-12
ELECTRICAL 1 JU2-306201~WITH HITACHI MOTOR	D3-4
ELECTRICAL 1 ~JU2-205700	D1-2
FRAME	C9-10
FRONT SUSPENSION WHEEL	A3
OPTIONAL ENERGY/HOUR GAUGES	A4-5
OPTIONAL HUB CAPS	D12
OPTIONAL LIGHT KIT	E1
OPTIONAL LIGHT KIT STREAMLINE JU2	D9
OPTIONAL SUN ROOF	D10-11
OPTIONAL WINDSHIELD	D8
REAR ARM SUSPENSION	D7
REAR AXLE MOUNT WHEEL	A2
SEAT	B5
STEERING	C1
TRANSAXLE JU2-200101~	A6-7
TRANSAXLE ~JU0-199900	B3-4
~MODELS IN THIS CATALOG	B1-2
	E2

CONTINUED ON NEXT FRAME ►

# BODY 2



SEE NOTE A

NOTE A: THE G22E REAR BODY PANEL REQUIRES AN OPENING BE MADE, SO THAT THE BATTERY CHARGER RECEPTICAL GUIDE (JN4-K827A-00-00) CAN BE MOUNTED. THE CORRECT SHAPE IS MARKED ON THE BACKSIDE OF THE BODY PANEL AND IS SHOWN ABOVE.

NOTE B: WHEN REPLACING THE G22E REAR BODY PANEL, YOU MUST ALSO REPLACE REF. #30, CAUTION PLATE 1 (JN4-K8297-10-00).

Ref. No.	Part Number	Description	Qty	Remarks
22	9572R-06300-00	NUT, NYLON	2	
23	JU0-K8151-00-00	PANEL, INSTRUCTION LID 1	1	
24	90269-06804-00	RIVET	2	
25	JN6-K8231-01-00	MAT, MAIN FLOOR 1	1	
26	JN6-K8232-01-00	MAT, MAIN FLOOR 2	1	
27	JN6-K8233-01-00	MAT, MAIN FLOOR 3	1	
28	90269-08813-00	RIVET	4	
29	90267-63047-00	RIVET, BLIND	9	
30	JN4-K8297-10-00	PLATE, CAUTION 1	1	SEE NOTE B
31	JU0-F1781-00-00	EMBLEM 1	1	"LIMITED EDITION"

## CONTENTS

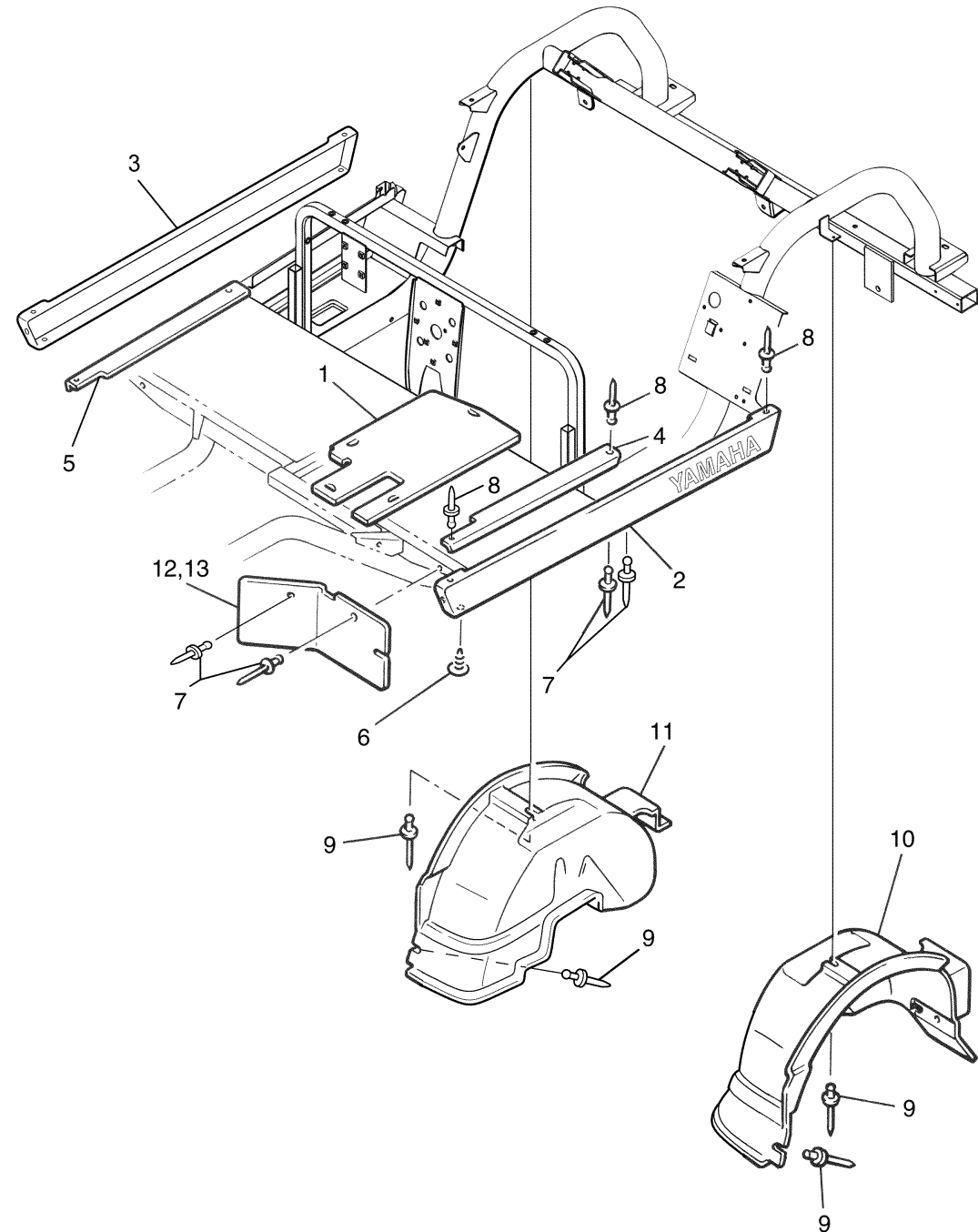
ACCELERATOR	A12
BATTERY CHARGER DPI	D6
BATTERY CHARGER MAC	D5
BODY 1	B7-8
BODY 2	B9-10
BODY FITTING	B11
BRAKE 1	A8-9
BRAKE 2	A10
BRAKE 3	A11
BUMPER	B6
CARRIER	B12
CONTROLLER 1 GE	
~JU2-202130	C6
CONTROLLER 1 MORIC	
JU2-202131~	C7-8
ELECTRIC MOTOR ADC	
JU2-205701~	C3
ELECTRIC MOTOR GE	
JU2-205700	C2
ELECTRIC MOTOR HITACHI	C4-5
ELECTRICAL 1	
JU2-205701~305999	C11-12
ELECTRICAL 1 JU2-306201~	
LE MODEL ADC MOTOR	D3-4
ELECTRICAL 1 JU2-306201~	
WITH HITACHI MOTOR	D1-2
ELECTRICAL 1 ~JU2-205700	C9-10
FRAME	A3
FRONT SUSPENSION WHEEL	A4-5
OPTIONAL ENERGY/HOUR	
GAUGES	D12
OPTIONAL HUB CAPS	E1
OPTIONAL LIGHT KIT	D9
OPTIONAL LIGHT KIT	
STREAMLINE JU2	D10-11
OPTIONAL SUN ROOF	D8
OPTIONAL WINDSHIELD	D7
REAR ARM SUSPENSION	A2
REAR AXLE MOUNT WHEEL	B5
SEAT	C1
STEERING	A6-7
TRANSAXLE JU2-200101~	B3-4
TRANSAXLE ~JU0-199900	B1-2
~MODELS IN THIS CATALOG	E2

# BODY FITTING

Ref. No.	Part Number	Description	Qty	Remarks
1	JN6-K8271-00-00	SERVICE LID, PEDAL .....	1	
2	JU0-K818A-00-00	PROTECTOR, SIDE PLATE 1 ..	1	
3	JU0-K818B-00-00	PROTECTOR, SIDE PLATE 2 ..	1	
4	JF2-K8215-10-00	PLATE, SIDE TRIM 1 .....	1	
5	JF2-K821F-10-00	PLATE, SIDE TRIM 2 .....	1	
6	90338-05829-00	PLUG .....	4	
7	90267-48831-00	RIVET, BLIND .....	8	
8	90267-48154-00	RIVET, BLIND .....	6	
9	90267-48086-00	RIVET, BLIND .....	4	
10	JF2-K8191-00-00	PANEL, REAR FENDER 1 ....	1	
11	JF2-K8192-00-00	PANEL, REAR FENDER 2 ....	1	
12	JF2-K8187-00-00	FLAP, FRONT FENDER (L.H.) .	1	
13	JF2-K8189-00-00	FLAP, FRONT FENDER (R.H.) .	1	

## CONTENTS

ACCELERATOR	A12
BATTERY CHARGER DPI	D6
BATTERY CHARGER MAC	D5
BODY 1	B7-8
BODY 2	B9-10
BODY FITTING	B11
BRAKE 1	A8-9
BRAKE 2	A10
BRAKE 3	A11
BUMPER	B6
CARRIER	B12
CONTROLLER 1 GE ~JU2-202130	C6
CONTROLLER 1 MORIC JU2-202131~	C7-8
ELECTRIC MOTOR ADC JU2-205701~	C3
ELECTRIC MOTOR GE - JU2-205700	C2
ELECTRIC MOTOR HITACHI ELECTRICAL 1 JU2-205701~305999	C4-5
ELECTRICAL 1 JU2-306201~ LE MODEL ADC MOTOR	C11-12
ELECTRICAL 1 JU2-306201~ WITH HITACHI MOTOR	D3-4
ELECTRICAL 1 ~JU2-205700	D1-2
FRAME	C9-10
FRONT SUSPENSION WHEEL	A3
OPTIONAL ENERGY/HOUR GAUGES	A4-5
OPTIONAL HUB CAPS	D12
OPTIONAL LIGHT KIT	E1
OPTIONAL LIGHT KIT STREAMLINE JU2	D9
OPTIONAL SUN ROOF	D10-11
OPTIONAL WINDSHIELD	D8
REAR ARM SUSPENSION	D7
REAR AXLE MOUNT WHEEL	A2
SEAT	B5
STEERING	C1
TRANSAXLE JU2-200101~	A6-7
TRANSAXLE ~JU0-199900	B3-4
~MODELS IN THIS CATALOG	B1-2
	E2



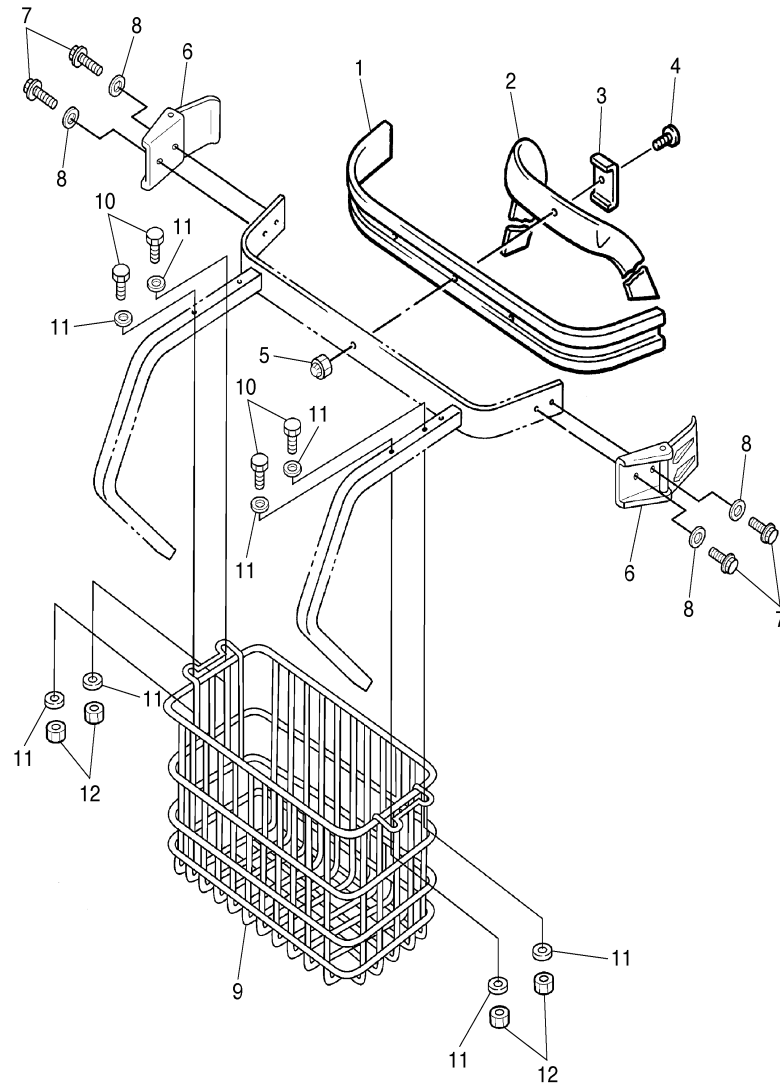
JU0100-6021

# CARRIER

Ref. No.	Part Number	Description	Qty	Remarks
1	JF2-K8356-00-00	PAD, BAG SUPPORT .....	1	
2	JN6-K8355-00-00	BAND .....	1	
3	J38-78367-00-00	PLATE, ANCHOR .....	1	
4	90101-06865-00	BOLT .....	1	
5	90185-06836-00	NUT, SELF-LOCKING .....	1	
6	JN6-K8380-00-00	LOCK ASSY .....	2	
7	90159-06845-00	SCREW, WITH WASHER .....	4	
8	9299R-06200-00	WASHER .....	4	
9	JN6-K8340-00-00	LUGGAGE RACK ASSY., REAR	1	
10	90111-08803-00	BOLT .....	4	
11	90201-088R9-00	WASHER, PLATE .....	8	
12	90185-08832-00	NUT, SELF-LOCKING .....	2	

## CONTENTS

ACCELERATOR	A12
BATTERY CHARGER DPI	D6
BATTERY CHARGER MAC	D5
BODY 1	B7-8
BODY 2	B9-10
BODY FITTING	B11
BRAKE 1	A8-9
BRAKE 2	A10
BRAKE 3	A11
BUMPER	B6
CARRIER	B12
CONTROLLER 1 GE	
~JU2-202130	C6
CONTROLLER 1 MORIC	
JU2-202131~	C7-8
ELECTRIC MOTOR ADC	
JU2-205701~	C3
ELECTRIC MOTOR GE -	
JU2-205700	C2
ELECTRIC MOTOR HITACHI	C4-5
ELECTRICAL 1	
JU2-205701~305999	C11-12
ELECTRICAL 1 JU2-306201~	
LE MODEL ADC MOTOR	D3-4
ELECTRICAL 1 JU2-306201~	
WITH HITACHI MOTOR	D1-2
ELECTRICAL 1 ~JU2-205700	C9-10
FRAME	A3
FRONT SUSPENSION WHEEL	A4-5
OPTIONAL ENERGY/HOUR	
GAUGES	D12
OPTIONAL HUB CAPS	E1
OPTIONAL LIGHT KIT	D9
OPTIONAL LIGHT KIT	
STREAMLINE JU2	D10-11
OPTIONAL SUN ROOF	D8
OPTIONAL WINDSHIELD	D7
REAR ARM SUSPENSION	A2
REAR AXLE MOUNT WHEEL	B5
SEAT	C1
STEERING	A6-7
TRANSAXLE JU2-200101~	B3-4
TRANSAXLE ~JU0-199900	B1-2
~MODELS IN THIS CATALOG	E2

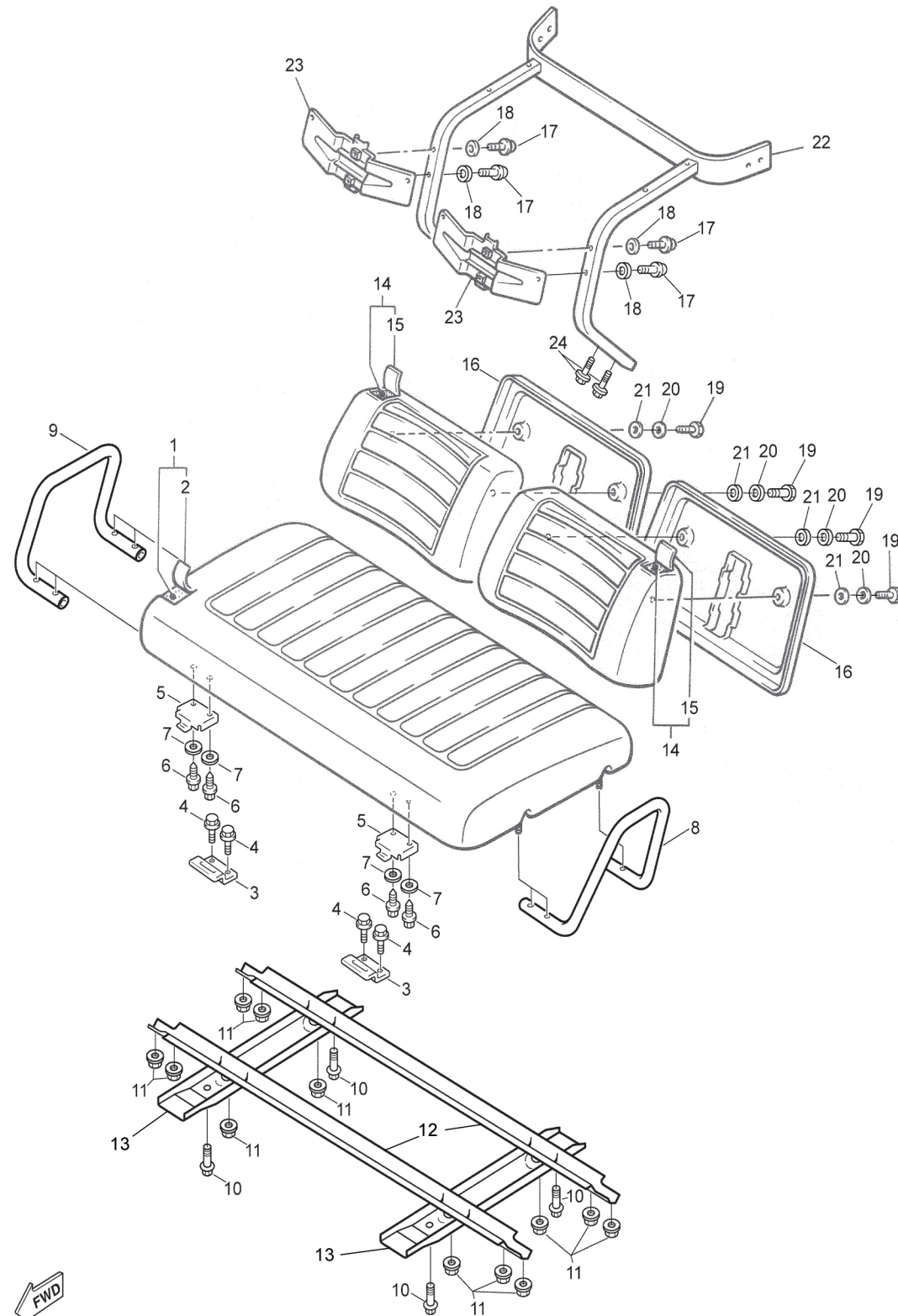


JT73010-C310



# SEAT

## CONTENTS

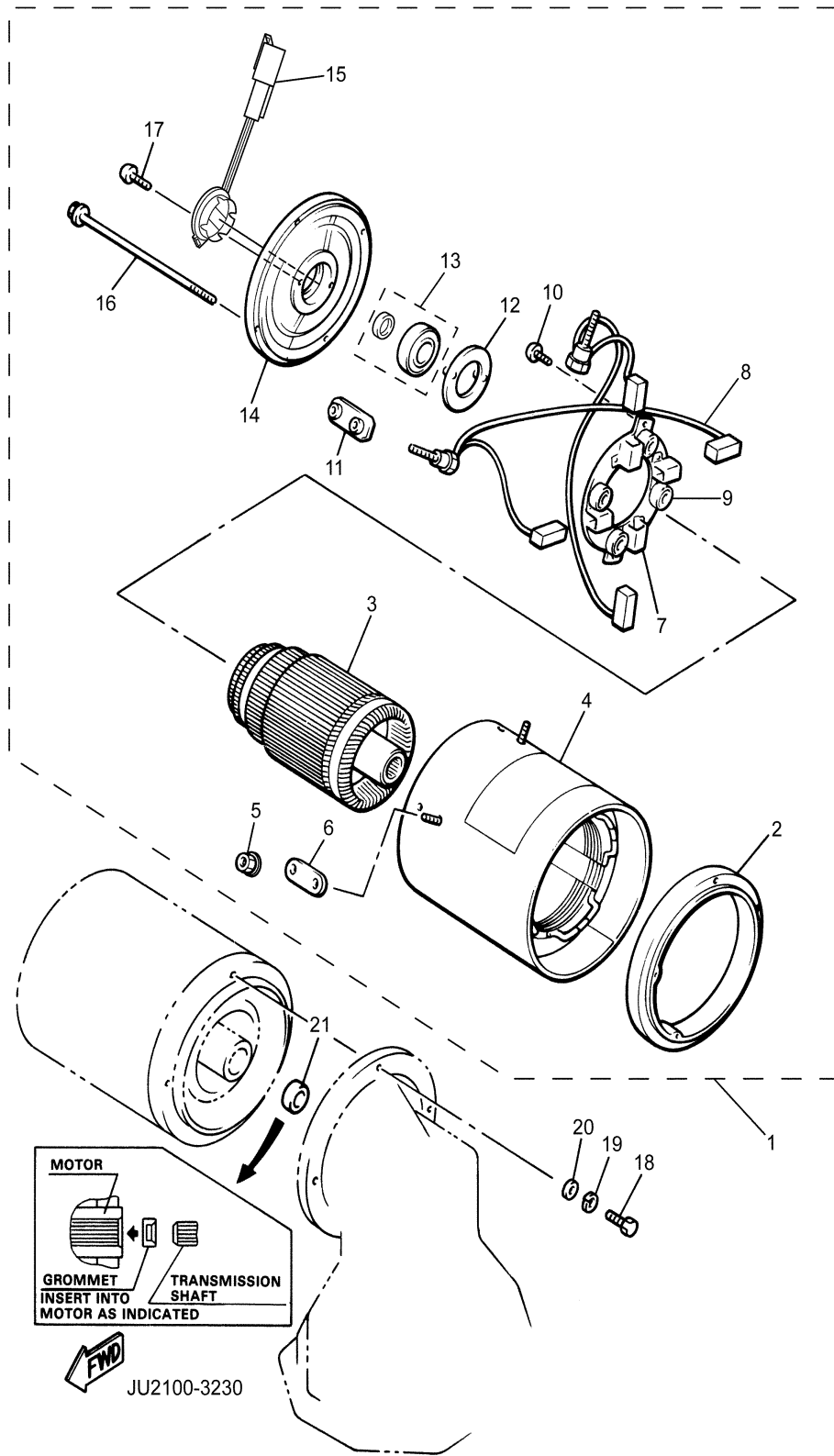


JU0100-5290

Ref. No.	Part Number	Description	Qty	Remarks
1	JN6-K8401-10-00	SEAT SUB-ASSY, CUSHION ..	1	UR IVORY WHITE
	JU0-K8401-00-00	SEAT SUB-ASSY, CUSHION ..	1	UR TAN
2	JN6-K8404-10-00	. COVER, SEAT 2 .....	1	UR IVORY WHITE
	JU0-K8404-00-00	. COVER, SEAT .....	1	UR TAN
3	JF2-K8427-00-00	HINGE, SEAT 2 .....	2	
4	90105-06903-00	BOLT, FLANGE .....	4	
5	JN3-K8426-01-00	HINGE, SEAT 1 .....	2	
6	90111-06810-00	BOLT .....	4	
7	90204-06807-00	WASHER, SPRING .....	4	
8	JN6-K8361-00-00	ARM REST 1 .....	1	
9	JU0-K8362-00-00	ARM REST 2 .....	1	
10	90167-04815-00	SCREW, TAPPING .....	4	
11	9560P-08200-00	NUT .....	12	
12	JN6-K8121-00-00	REINFORCEMENT 1 .....	2	
13	JN6-K8122-01-00	REINFORCEMENT 2 .....	2	
14	JN3-K8402-00-00	SEAT SUB ASSY, BACK .....	2	UR IVORY WHITE
	JU0-K8402-00-00	SEAT SUB ASSY, BACK .....	2	UR TAN
15	JN3-K841G-09-00	. COVER, SEAT BACK 2 .....	1	UR IVORY WHITE
	JU0-K841G-09-00	. COVER, SEAT BACK .....	1	UR TAN
16	JN3-K8413-00-00	COVER, SEAT BACK .....	2	
17	90119-08820-00	BOLT, WITH WASHER .....	4	
18	90201-098J4-00	WASHER, PLATE .....	4	
19	95880-06025-00	BOLT, FLANGE .....	4	
20	90201-068G0-00	WASHER, PLATE .....	4	
21	90201-068G6-00	WASHER, PLATE .....	4	
22	JU0-K8423-00-00	SUPPORT, SEAT BACK .....	1	
23	JN3-K842H-00-00	RETAINER, SEAT .....	2	
24	90105-08871-00	BOLT, FLANGE .....	4	
25	90338-09828-00	PLUG .....	2	

ACCELERATOR	A12
BATTERY CHARGER DPI	D6
BATTERY CHARGER MAC	D5
BODY 1	B7-8
BODY 2	B9-10
BODY FITTING	B11
BRAKE 1	A8-9
BRAKE 2	A10
BRAKE 3	A11
BUMPER	B6
CARRIER	B12
CONTROLLER 1 GE	
~JU2-202130	C6
CONTROLLER 1 MORIC	
JU2-202131~	C7-8
ELECTRIC MOTOR ADC	
JU2-205701~	C3
ELECTRIC MOTOR GE ~	
JU2-205700	C2
ELECTRIC MOTOR HITACHI	C4-5
ELECTRICAL 1	
JU2-205701~305999	C11-12
ELECTRICAL 1 JU2-306201~	
LE MODEL ADC MOTOR	D3-4
ELECTRICAL 1 JU2-306201~	
WITH HITACHI MOTOR	D1-2
ELECTRICAL 1 ~JU2-205700	C9-10
FRAME	A3
FRONT SUSPENSION WHEEL	A4-5
OPTIONAL ENERGY/HOUR	
GAUGES	D12
OPTIONAL HUB CAPS	E1
OPTIONAL LIGHT KIT	D9
OPTIONAL LIGHT KIT	
STREAMLINE JU2	D10-11
OPTIONAL SUN ROOF	D8
OPTIONAL WINDSHIELD	D7
REAR ARM SUSPENSION	A2
REAR AXLE MOUNT WHEEL	B5
SEAT	C1
STEERING	A6-7
TRANSAXLE JU2-200101~	B3-4
TRANSAXLE ~JU0-199900	B1-2
~MODELS IN THIS CATALOG	E2

# ELECTRIC MOTOR GE ~ JU2-205700

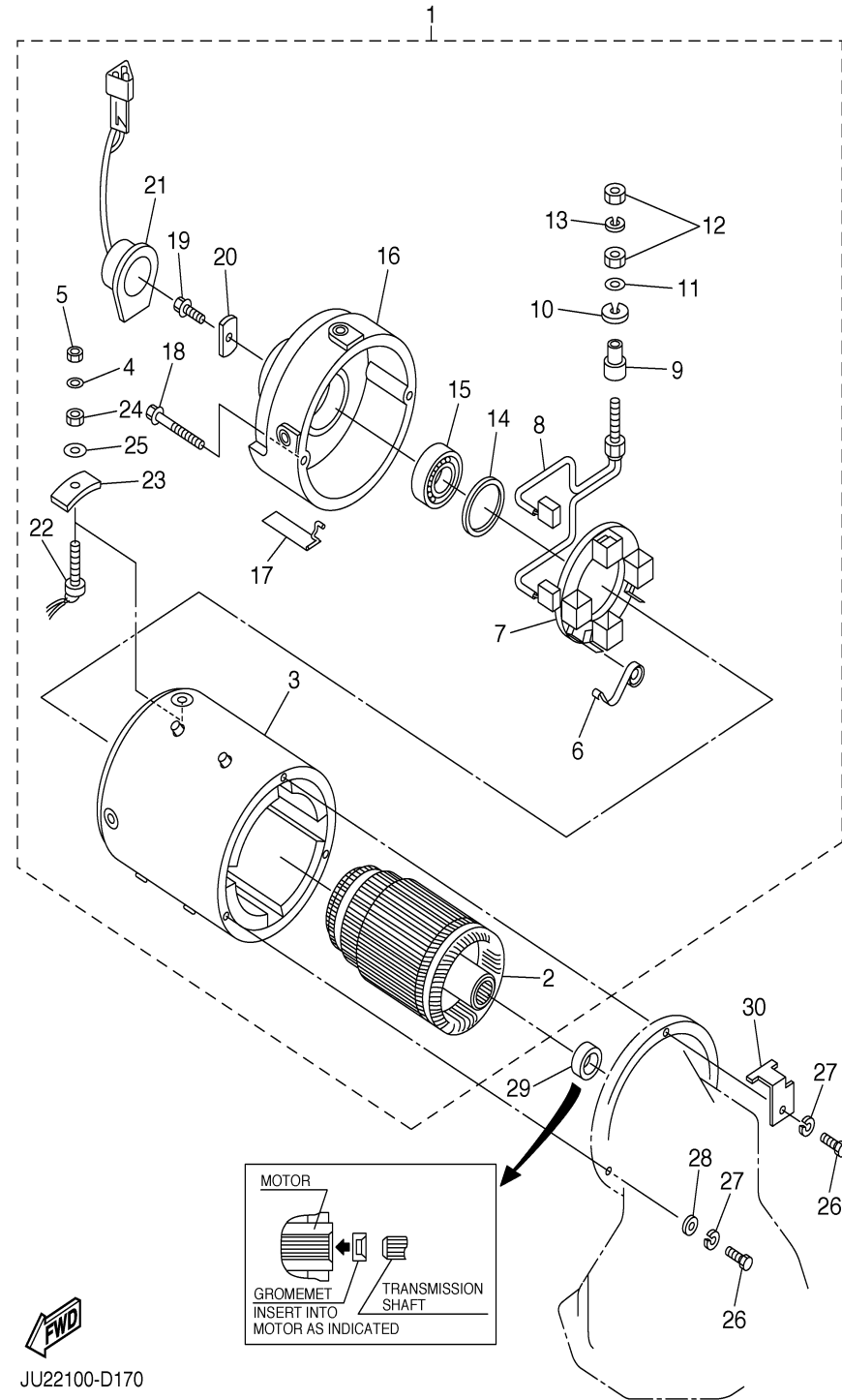


Ref. No.	Part Number	Description	Qty	Remarks
1	JU2-H1890-00-00	MOTOR ASSY	1	GE MOTOR
2	JH7-H183J-00-00	. BRACKET, FRONT	1	
3	JU2-H1850-00-00	. ARMATURE ASSY	1	
4	JU2-H1160-00-00	. FIELD COIL ASSY	1	
5	JH7-H1872-00-00	. NUT, SPECIAL	4	
6	JR1-H1843-00-00	. WASHER, 1	2	
7	JF2-81119-00-00	. BRUSH HOLDER ASSY	1	
8	JU2-H1801-00-00	. BRUSH SET	1	
9	J38-81113-10-00	. SPRING, BRUSH	1	
10	JH7-H1848-00-00	. SCREW, BRUSH HOLDER	2	
11	JG6-H1824-00-00	. WASHER 2	2	
12	JH7-H1856-10-00	. RETAINER	1	
13	JU2-H185B-00-00	. BEARING 1, MAGNET KIT	1	WITH PICK-UP MAGNET
14	JU2-H1822-00-00	. BRACKET, ELECTRIC	1	
15	JU2-H1670-00-00	. PICK-UP ASSY	1	
16	JR1-H1828-00-00	. BOLT 2	4	
17	JH7-H1846-00-00	. SCREW 1	2	
18	90101-06857-00	BOLT	3	
19	90215-06811-00	WASHER, LOCK	3	
20	90201-068E2-00	WASHER, PLATE	2	
21	JH7-H1829-00-00	GROMMET	1	

## CONTENTS

ACCELERATOR	A12
BATTERY CHARGER DPI	D6
BATTERY CHARGER MAC	D5
BODY 1	B7-8
BODY 2	B9-10
BODY FITTING	B11
BRAKE 1	A8-9
BRAKE 2	A10
BRAKE 3	A11
BUMPER	B6
CARRIER	B12
CONTROLLER 1 GE ~JU2-202130	C6
CONTROLLER 1 MORIC JU2-202131~	C7-8
ELECTRIC MOTOR ADC JU2-205701~	C3
ELECTRIC MOTOR GE ~ JU2-205700	C2
ELECTRIC MOTOR HITACHI ELECTRICAL 1 JU2-205701~305999	C4-5
ELECTRICAL 1 JU2-306201~LE MODEL ADC MOTOR	C11-12
ELECTRICAL 1 JU2-306201~WITH HITACHI MOTOR	D3-4
ELECTRICAL 1 ~JU2-205700	D1-2
FRAME	C9-10
FRONT SUSPENSION WHEEL	A3
OPTIONAL ENERGY/HOUR GAUGES	A4-5
OPTIONAL HUB CAPS	D12
OPTIONAL LIGHT KIT	E1
OPTIONAL LIGHT KIT STREAMLINE JU2	D9
OPTIONAL SUN ROOF	D10-11
OPTIONAL WINDSHIELD	D8
REAR ARM SUSPENSION	D7
REAR AXLE MOUNT WHEEL SEAT	A2
STEERING	B5
TRANSAXLE JU2-200101~	C1
TRANSAXLE ~JU0-199900	A6-7
~MODELS IN THIS CATALOG	B3-4
	B1-2
	E2

# ELECTRIC MOTOR ADC JU2-205701~



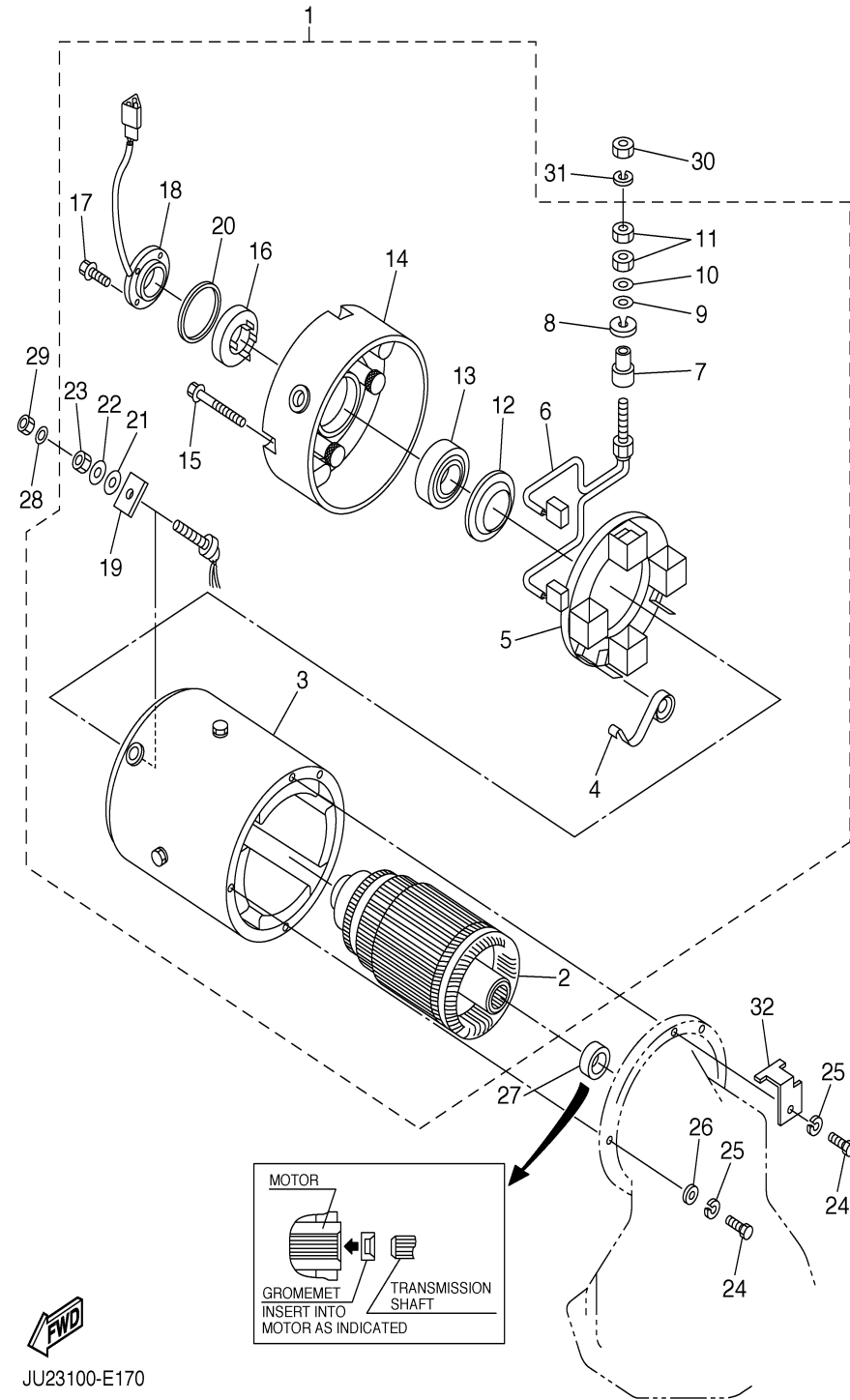
JU22100-D170

Ref. No.	Part Number	Description	Qty	Remarks
1	JU2-H1890-10-00	MOTOR ASSY	1	ADC MOTOR
2	JU2-H1850-10-00	. ARMATURE ASSY	1	
3	JU2-H1160-10-00	. FIELD COIL ASSY	1	
4	JU2-H185A-10-00	. WASHER, PLATE	2	
5	JU2-H182A-10-00	. NUT	2	
6	JU2-H1617-10-00	. SPRING, BRUSH	4	
7	JU2-H1840-10-00	. BRUSH HOLDER ASSY	1	
8	JU2-H1801-10-00	. BRUSH SET	2	
9	JU2-H182H-10-00	. BUSH, TERMINAL	2	
10	JU2-H1843-10-00	. WASHER 1	2	
11	JU2-H181L-10-00	. WASHER, PLAIN	2	
12	JU2-H1872-10-00	. NUT, SPECIAL	4	
13	JU2-H1835-10-00	. WASHER	2	
14	JU2-H1856-10-00	. BEARING	1	
15	JU2-H185B-10-00	. BEARING 1	1	
16	JU2-H183J-10-00	. BRACKET, FRONT	1	
17	JU2-H1129-10-00	. COVER, BRUSH	1	
18	JU2-H1828-10-00	. BOLT 2	2	
19	JU2-H2113-10-00	. SCREW	1	
20	JU2-H181K-10-00	. MAGNET	1	
21	JU2-H1670-10-00	. PICK-UP ASSY	1	
22	JU2-H272L-10-00	. INSULATOR, 1	2	
23	JU2-H272N-10-00	. PLATE, INSULATOR	2	
24	JU2-H182A-10-00	. NUT	2	
25	JU2-H3348-10-00	. WASHER	2	
26	90101-06857-00	BOLT	3	
27	90215-06811-00	WASHER, LOCK	3	
28	90201-068E2-00	WASHER, PLATE	2	
29	JH7-H1829-00-00	GROMMET	1	
30	JU2-H218E-00-00	RELIEF, STRAIN 1	1	

## CONTENTS

ACCELERATOR	A12
BATTERY CHARGER DPI	D6
BATTERY CHARGER MAC	D5
BODY 1	B7-8
BODY 2	B9-10
BODY FITTING	B11
BRAKE 1	A8-9
BRAKE 2	A10
BRAKE 3	A11
BUMPER	B6
CARRIER	B12
CONTROLLER 1 GE	
~JU2-202130	C6
CONTROLLER 1 MORIC	
JU2-202131~	C7-8
ELECTRIC MOTOR ADC	
JU2-205701~	C3
ELECTRIC MOTOR GE ~	
JU2-205700	C2
ELECTRIC MOTOR HITACHI	
ELECTRICAL 1	C4-5
JU2-205701~305999	C11-12
ELECTRICAL 1 JU2-306201~	
LE MODEL ADC MOTOR	D3-4
ELECTRICAL 1 JU2-306201~	
WITH HITACHI MOTOR	D1-2
ELECTRICAL 1 ~JU2-205700	C9-10
FRAME	A3
FRONT SUSPENSION WHEEL	A4-5
OPTIONAL ENERGY/HOUR	
GAUGES	D12
OPTIONAL HUB CAPS	E1
OPTIONAL LIGHT KIT	D9
OPTIONAL LIGHT KIT	
STREAMLINE JU2	D10-11
OPTIONAL SUN ROOF	D8
OPTIONAL WINDSHIELD	D7
REAR ARM SUSPENSION	A2
REAR AXLE MOUNT WHEEL	B5
SEAT	C1
STEERING	A6-7
TRANSAXLE JU2-200101~	B3-4
TRANSAXLE ~JU0-199900	B1-2
~MODELS IN THIS CATALOG	E2

# ELECTRIC MOTOR HITACHI JU2-301201~(Except LE)



JU23100-E170

Ref. No.	Part Number	Description	Qty	Remarks
1	JU2-H1890-20-00	MOTOR ASSY	1	HITACHI MOTOR
2	JU2-H1850-20-00	. ARMATURE ASSY	1	
3	JU2-H1160-20-00	. FIELD COIL ASSY	1	
4	JU2-H1617-20-00	. SPRING, BRUSH	4	
5	JU2-H1840-20-00	. BRUSH HOLDER ASSY	1	
6	JU2-H1801-20-00	. BRUSH SET	2	
7	JU2-H182G-20-00	. BUSH, TERMINAL	2	
8	JU2-H1843-20-00	. WASHER 1	2	
9	JU2-H1824-20-00	. WASHER 2	2	
10	JU2-H181L-20-00	. WASHER, PLAIN	2	
11	JU2-H182K-20-00	. NUT	4	
12	JU2-H1856-20-00	. BEARING	1	
13	JU2-H185B-20-00	. BEARING 1	1	
14	JU2-H183J-20-00	. BRACKET FRONT	1	
15	JU2-H1828-20-00	. BOLT 2	2	
16	JU2-H181K-20-00	. MAGNET	1	
17	JU2-H2113-20-00	. SCREW	1	
18	JU2-H1670-20-00	. PICK-UP ASSY	1	
19	JU2-H272L-20-00	. INSULATOR, 1	2	
20	JU2-H5722-20-00	. INSULATOR	2	
21	JU2-H2517-20-00	. WASHER SPECIAL	2	
22	JU2-H332D-20-00	. WASHER SPECIAL 2	2	
23	JU2-H191B-20-00	. NUT	4	
24	90101-069U0-00	BOLT	3	
25	90215-06811-00	WASHER, LOCK	3	
26	90201-068E2-00	WASHER, PLATE	1	
27	JH7-H1829-00-00	GROMMET	1	
28	JU2-H185A-20-00	WASHER, PLATE	2	
29	JU2-H182A-20-00	NUT	2	
30	JU2-H1872-20-00	NUT, SPECIAL	2	

## CONTENTS

ACCELERATOR	A12
BATTERY CHARGER DPI	D6
BATTERY CHARGER MAC	D5
BODY 1	B7-8
BODY 2	B9-10
BODY FITTING	B11
BRAKE 1	A8-9
BRAKE 2	A10
BRAKE 3	A11
BUMPER	B6
CARRIER	B12
CONTROLLER 1 GE	
~JU2-202130	C6
CONTROLLER 1 MORIC	
JU2-202131~	C7-8
ELECTRIC MOTOR ADC	
JU2-205701~	C3
ELECTRIC MOTOR GE -	
JU2-205700	C2
ELECTRIC MOTOR HITACHI	
ELECTRICAL 1	C4-5
JU2-205701~305999	C11-12
ELECTRICAL 1 JU2-306201~	
LE MODEL ADC MOTOR	D3-4
ELECTRICAL 1 JU2-306201~	
WITH HITACHI MOTOR	D1-2
ELECTRICAL 1 ~JU2-205700	C9-10
FRAME	A3
FRONT SUSPENSION WHEEL	A4-5
OPTIONAL ENERGY/HOUR	
GAUGES	D12
OPTIONAL HUB CAPS	E1
OPTIONAL LIGHT KIT	D9
OPTIONAL LIGHT KIT	
STREAMLINE JU2	D10-11
OPTIONAL SUN ROOF	D8
OPTIONAL WINDSHIELD	D7
REAR ARM SUSPENSION	A2
REAR AXLE MOUNT WHEEL	B5
SEAT	C1
STEERING	A6-7
TRANSAXLE JU2-200101~	B3-4
TRANSAXLE ~JU0-199900	B1-2
~MODELS IN THIS CATALOG	E2

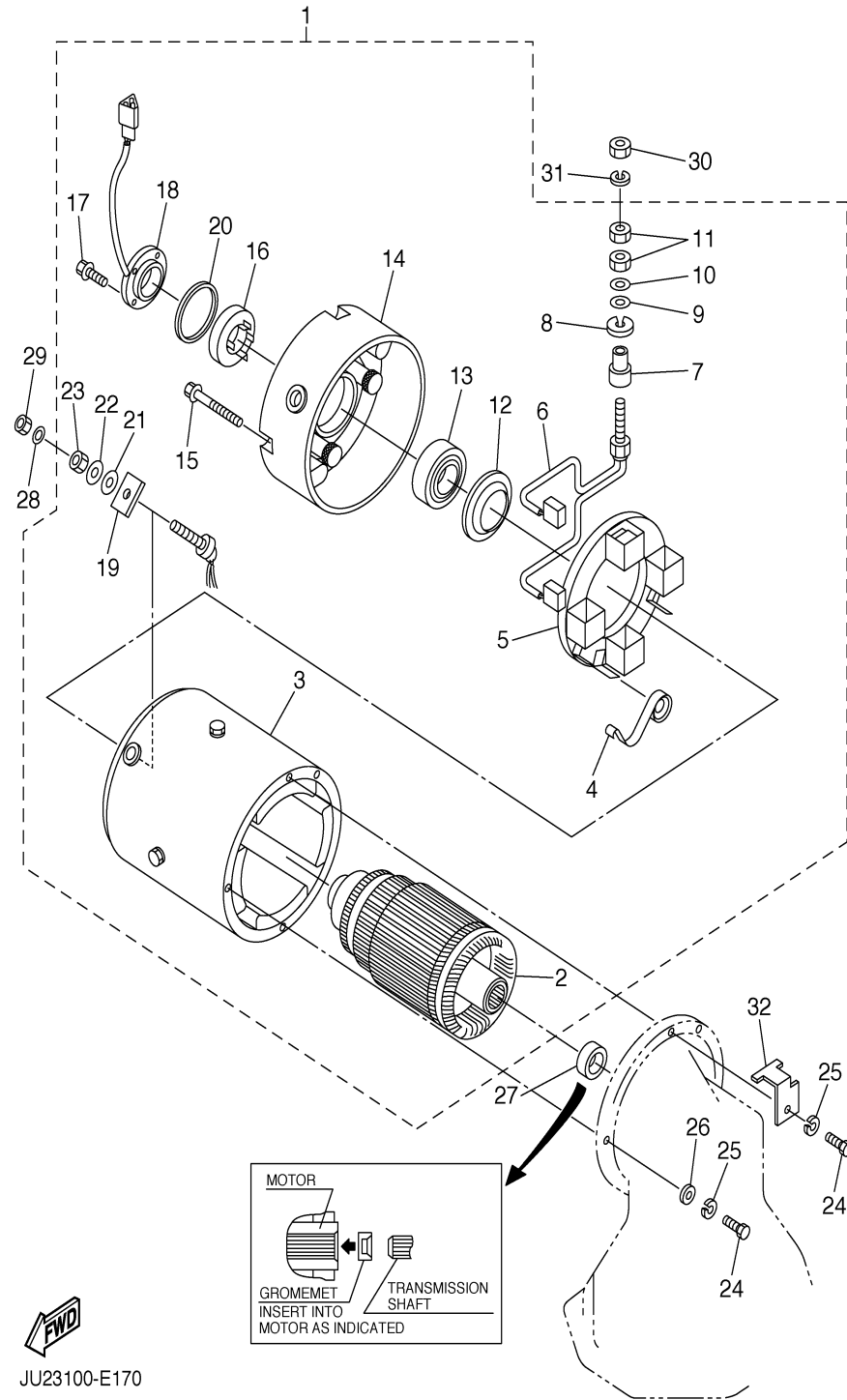
CONTINUED ON NEXT FRAME ►

# ELECTRIC MOTOR HITACHI JU2-301201~(Except LE)

Ref. No.	Part Number	Description	Qty	Remarks
31	JU2-H1835-20-00	WASHER .....	1	
32	JU2-H218E-00-00	RELIEF, STRAIN 1 .....	1	

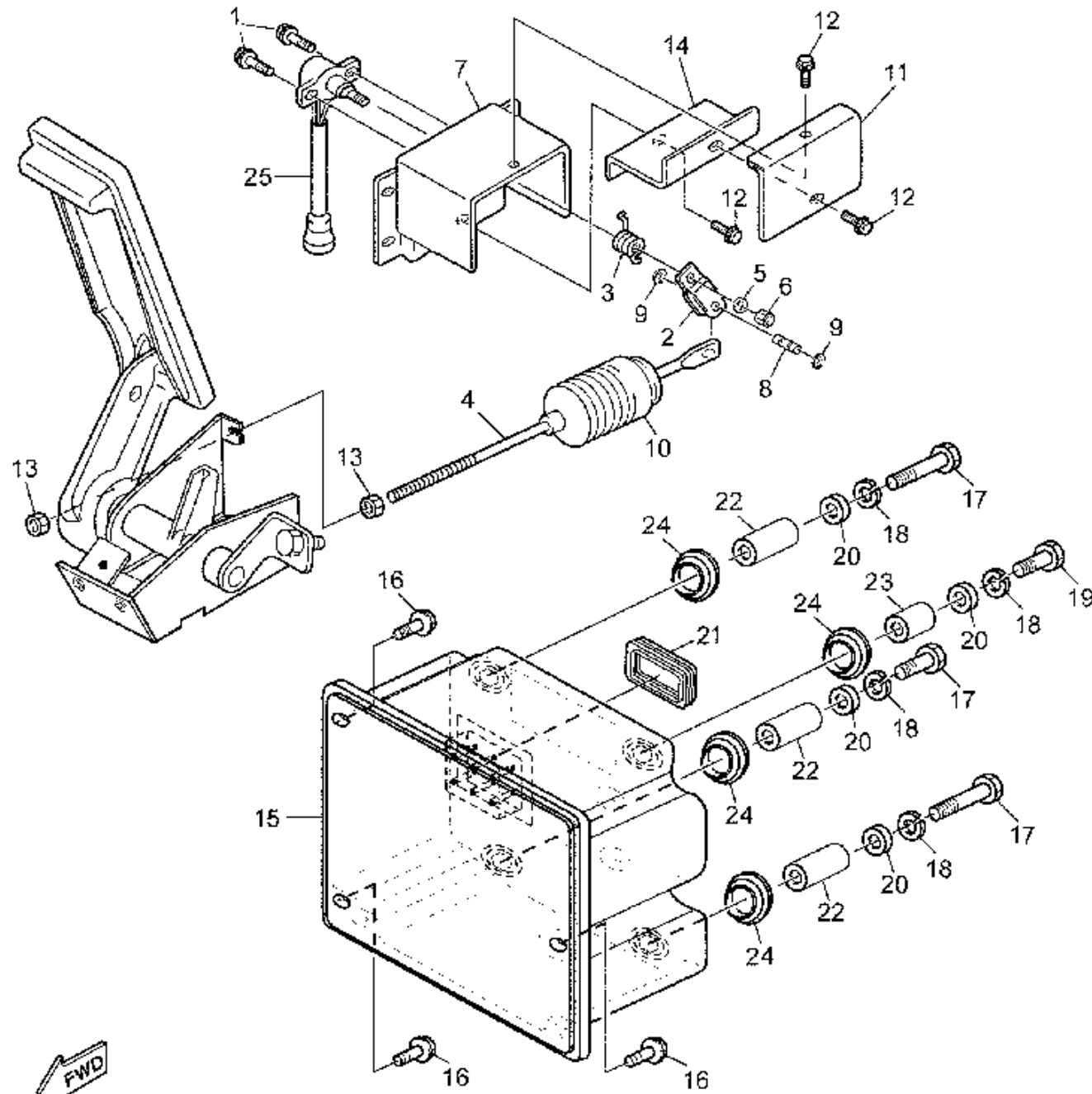
## CONTENTS

ACCELERATOR	A12
BATTERY CHARGER DPI	D6
BATTERY CHARGER MAC	D5
BODY 1	B7-8
BODY 2	B9-10
BODY FITTING	B11
BRAKE 1	A8-9
BRAKE 2	A10
BRAKE 3	A11
BUMPER	B6
CARRIER	B12
CONTROLLER 1 GE ~JU2-202130	C6
CONTROLLER 1 MORIC JU2-202131~	C7-8
ELECTRIC MOTOR ADC JU2-205701~	C3
ELECTRIC MOTOR GE - JU2-205700	C2
ELECTRIC MOTOR HITACHI ELECTRICAL 1 JU2-205701~305999	C4-5 C11-12
ELECTRICAL 1 JU2-306201~ LE MODEL ADC MOTOR	D3-4
ELECTRICAL 1 JU2-306201~ WITH HITACHI MOTOR	D1-2
ELECTRICAL 1 ~JU2-205700	C9-10
FRAME	A3
FRONT SUSPENSION WHEEL	A4-5
OPTIONAL ENERGY/HOUR GAUGES	D12
OPTIONAL HUB CAPS	E1
OPTIONAL LIGHT KIT	D9
OPTIONAL LIGHT KIT STREAMLINE JU2	D10-11
OPTIONAL SUN ROOF	D8
OPTIONAL WINDSHIELD	D7
REAR ARM SUSPENSION	A2
REAR AXLE MOUNT WHEEL	B5
SEAT	C1
STEERING	A6-7
TRANSAXLE JU2-200101~	B3-4
TRANSAXLE ~JU0-199900 ~MODELS IN THIS CATALOG	B1-2 E2



JU23100-E170

# CONTROLLER 1 GE ~JU2-202130



Ref. No.	Part Number	Description	Qty	Remarks
1	95607-05316-00	SCREW, PAN HEAD WITH WASHER .....	3	
2	JF3-2625H-00-00	ARM, THROTTLE .....	1	
3	JF3-27825-00-00	SPRING, RETURN .....	1	
4	JU2-F7241-00-00	ROD, JOINT .....	1	
5	9290P-06100-00	WASHER .....	1	
6	95307-06600-00	NUT .....	1	
7	JF3-27981-00-00	BRACKET, THROTTLE .....	1	
8	JF3-27813-00-00	PIN, PEDAL CRANK .....	1	
9	99001-04600-00	CIRCLIP .....	2	
10	JN4-F7486-00-00	COVER 1 .....	1	
11	JF3-27487-00-00	COVER 2 .....	1	
12	97507-05616-00	BOLT, HEX. HEAD WITH WASHER .....	6	
13	95307-08700-00	NUT .....	2	
14	JF3-27445-00-00	PLATE 1 .....	1	
15	JU2-H6510-00-00	CONTROL UNIT .....	1	
16	97507-06620-00	BOLT, HEX. HEAD WITH WASHER .....	3	
17	JU2-H332G-00-00	BOLT, SPECIAL 1 .....	3	
18	JU2-H2534-00-00	WASHER, LOCK .....	4	
19	JU2-H332H-00-00	BOLT, SPECIAL .....	1	
20	JU2-H2558-00-00	WASHER .....	4	
21	JR1-H215D-00-00	SEAL MCU, CANNON PLUG ..	1	
22	JU2-H252S-00-00	SPACER, 1 .....	3	
23	JU2-H253S-00-00	SPACER, 2 .....	1	
24	JU2-H6115-00-00	GROMMET .....	4	
25	JR1-85885-00-00	THROTTLE SENSOR ASSY ...	1	

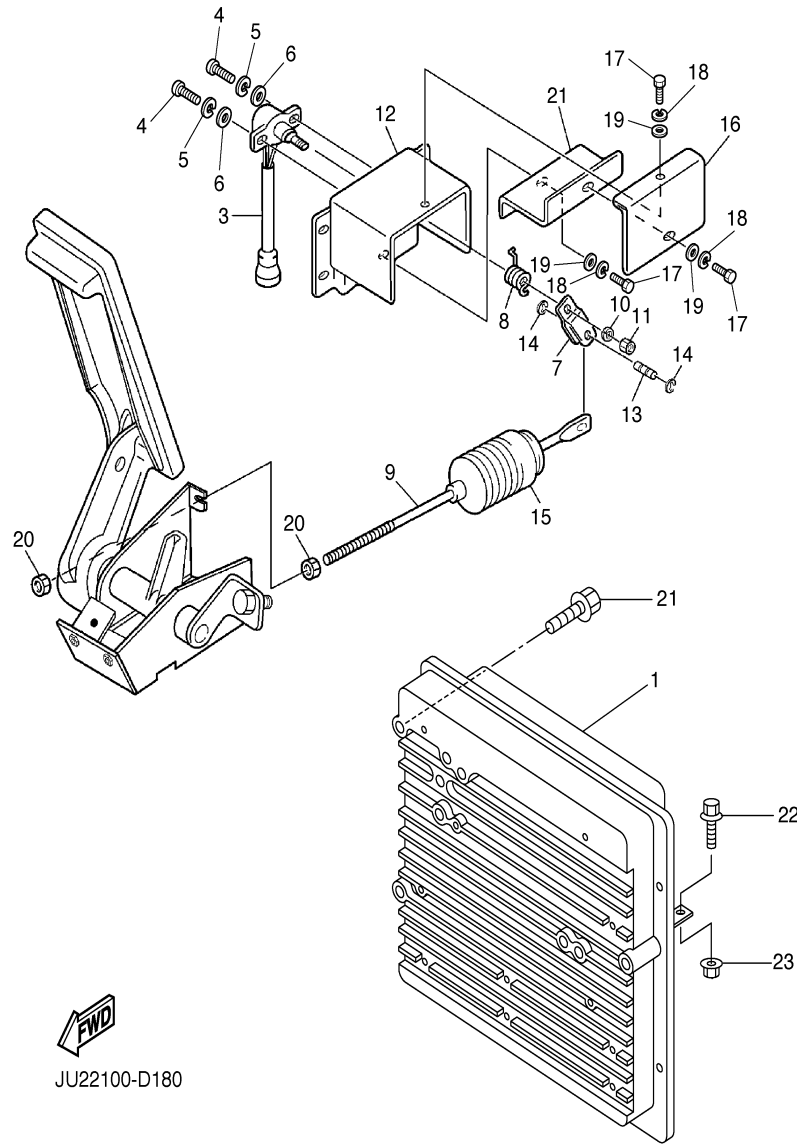
## CONTENTS

ACCELERATOR	A12
BATTERY CHARGER DPI	D6
BATTERY CHARGER MAC	D5
BODY 1	B7-8
BODY 2	B9-10
BODY FITTING	B11
BRAKE 1	A8-9
BRAKE 2	A10
BRAKE 3	A11
BUMPER	B6
CARRIER	B12
CONTROLLER 1 GE ~JU2-202130	C6
CONTROLLER 1 MORIC JU2-202131~	C7-8
ELECTRIC MOTOR ADC JU2-205701~	C3
ELECTRIC MOTOR GE ~JU2-205700	C2
ELECTRIC MOTOR HITACHI	C4-5
ELECTRICAL 1 JU2-205701~305999	C11-12
ELECTRICAL 1 JU2-306201~LE MODEL ADC MOTOR	D3-4
ELECTRICAL 1 JU2-306201~WITH HITACHI MOTOR	D1-2
ELECTRICAL 1 ~JU2-205700	C9-10
FRAME	A3
FRONT SUSPENSION WHEEL	A4-5
OPTIONAL ENERGY/HOUR GAUGES	D12
OPTIONAL HUB CAPS	E1
OPTIONAL LIGHT KIT	D9
OPTIONAL LIGHT KIT STREAMLINE JU2	D10-11
OPTIONAL SUN ROOF	D8
OPTIONAL WINDSHIELD	D7
REAR ARM SUSPENSION	A2
REAR AXLE MOUNT WHEEL	B5
SEAT	C1
STEERING	A6-7
TRANSAXLE JU2-200101~	B3-4
TRANSAXLE ~JU0-199900	B1-2
~MODELS IN THIS CATALOG	E2

# CONTROLLER 1 MORIC JU2-202131~

Ref. No.	Part Number	Description	Qty	Remarks
1	JU2-H6510-30-00	MOTOR CONTROL UNIT ASSY	1	UR, JU2-306201~ WITH HITACHI MOTOR
	JU2-H6510-23-00	MOTOR CONTROL UNIT ASSY	1	UR, JU2-306201~ WITH ADC MOTOR
	JU2-H6510-13-00	MOTOR CONTROL UNIT ASSY	1	UR, JU2-202131~205700 WITH GE MOTOR
	JU2-H6510-22-00	MOTOR CONTROL UNIT ASSY	1	UR, JU2-205701~306200 WITH ADC MOTOR
2	JF3-27445-00-00	PLATE 1	1	
3	JR1-85885-00-00	THROTTLE SENSOR ASSY	1	
4	98507-05016-00	SCREW, PAN HEAD	3	
5	92907-05100-00	WASHER, LOCK	3	
6	92907-05600-00	WASHER, PLATE	3	
7	JF3-2625H-00-00	ARM, THROTTLE	1	
8	JF3-27825-00-00	SPRING, RETURN	1	
9	JU2-F7241-00-00	ROD, JOINT	1	
10	9290P-06100-00	WASHER	1	
11	95307-06600-00	NUT	1	
12	JF3-27981-00-00	BRACKET, THROTTLE	1	
13	JF3-27813-00-00	PIN, PEDAL CRANK	1	
14	99001-04600-00	CIRCLIP	2	
15	JN4-F7486-00-00	COVER 1	1	
16	JF3-27487-00-00	COVER 2	1	
17	97007-05016-00	BOLT	6	
18	92907-05100-00	WASHER, LOCK	6	
19	92907-05600-00	WASHER, PLATE	6	
20	95307-08700-00	NUT	2	
21	9582P-06040-00	BOLT, FLANGE	3	
22	9582P-06016-00	BOLT, FLANGE	3	

CONTENTS	
ACCELERATOR	A12
BATTERY CHARGER DPI	D6
BATTERY CHARGER MAC	D5
BODY 1	B7-8
BODY 2	B9-10
BODY FITTING	B11
BRAKE 1	A8-9
BRAKE 2	A10
BRAKE 3	A11
BUMPER	B6
CARRIER	B12
CONTROLLER 1 GE ~JU2-202130	C6
CONTROLLER 1 MORIC JU2-202131~	C7-8
ELECTRIC MOTOR ADC JU2-205701~	C3
ELECTRIC MOTOR GE ~JU2-205700	C2
ELECTRIC MOTOR HITACHI	C4-5
ELECTRICAL 1 JU2-205701~305999	C11-12
ELECTRICAL 1 JU2-306201~LE MODEL ADC MOTOR	D3-4
ELECTRICAL 1 JU2-306201~WITH HITACHI MOTOR	D1-2
ELECTRICAL 1 ~JU2-205700	C9-10
FRAME	A3
FRONT SUSPENSION WHEEL	A4-5
OPTIONAL ENERGY/HOUR GAUGES	D12
OPTIONAL HUB CAPS	E1
OPTIONAL LIGHT KIT	D9
OPTIONAL LIGHT KIT STREAMLINE JU2	D10-11
OPTIONAL SUN ROOF	D8
OPTIONAL WINDSHIELD	D7
REAR ARM SUSPENSION	A2
REAR AXLE MOUNT WHEEL	B5
SEAT	C1
STEERING	A6-7
TRANSAXLE JU2-200101~	B3-4
TRANSAXLE ~JU0-199900	B1-2
~MODELS IN THIS CATALOG	E2



**FWD**  
JU22100-D180

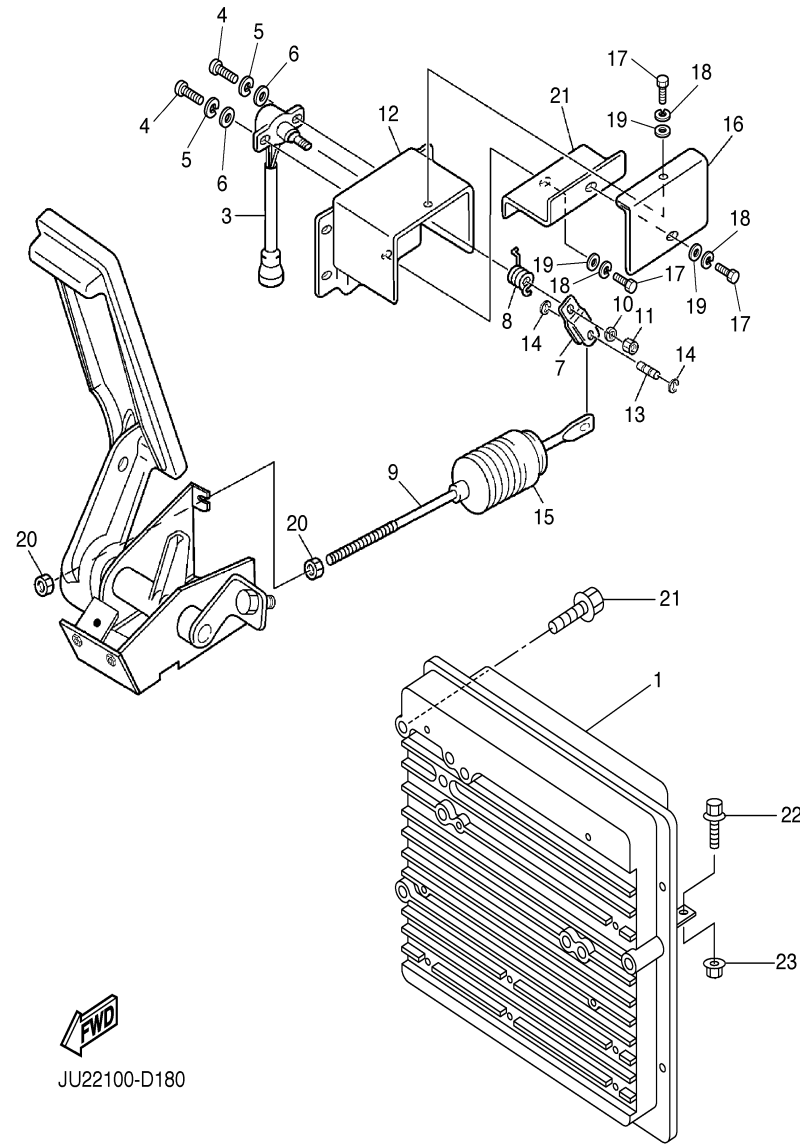
CONTINUED ON NEXT FRAME ►

# CONTROLLER 1 MORIC JU2-202131~

Ref. No.	Part Number	Description	Qty	Remarks
23	9560P-06200-00	NUT, FLANGE .....	3	

## CONTENTS

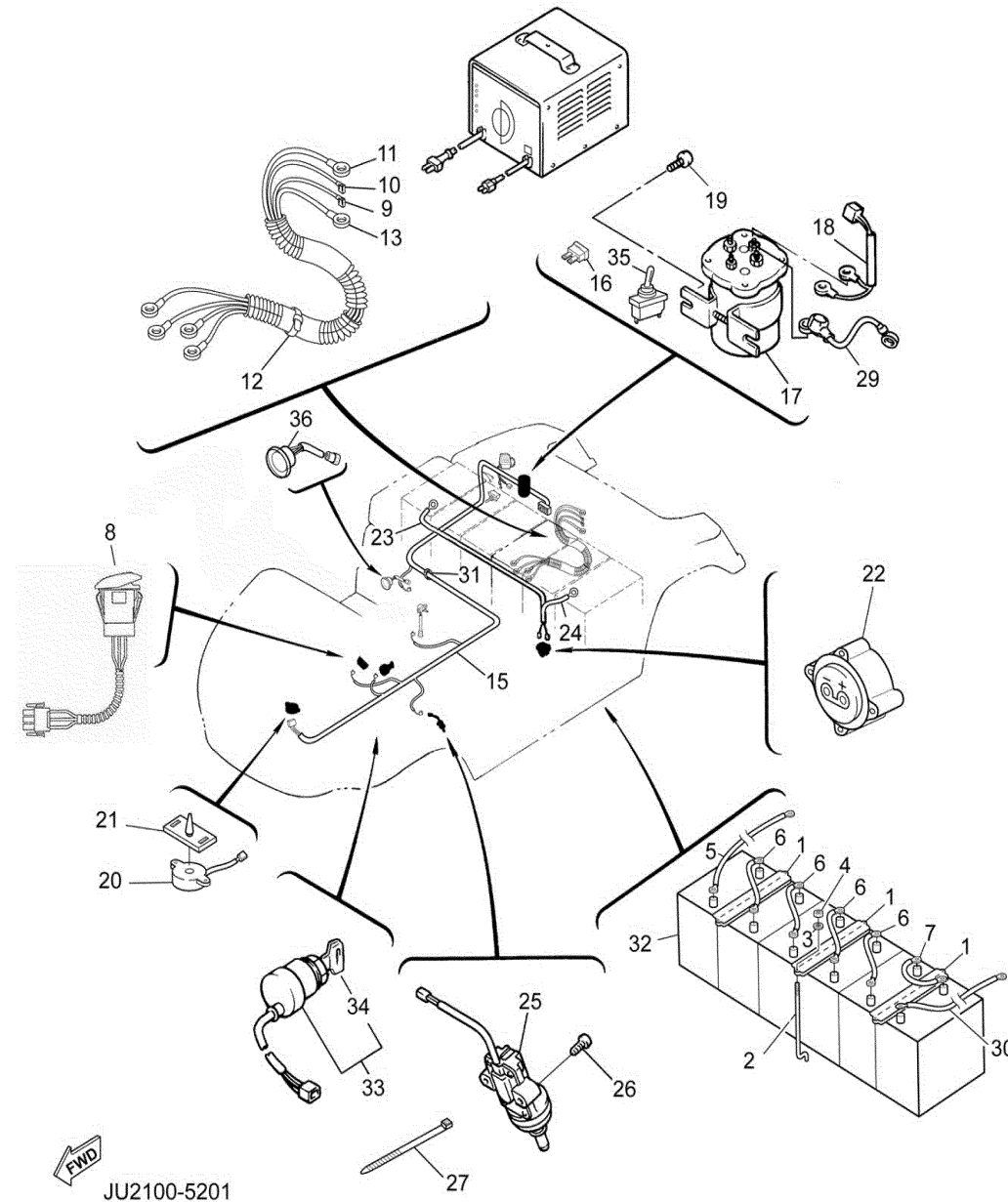
ACCELERATOR	A12
BATTERY CHARGER DPI	D6
BATTERY CHARGER MAC	D5
BODY 1	B7-8
BODY 2	B9-10
BODY FITTING	B11
BRAKE 1	A8-9
BRAKE 2	A10
BRAKE 3	A11
BUMPER	B6
CARRIER	B12
CONTROLLER 1 GE ~JU2-202130	C6
CONTROLLER 1 MORIC JU2-202131~	C7-8
ELECTRIC MOTOR ADC JU2-205701~	C3
ELECTRIC MOTOR GE ~ JU2-205700	C2
ELECTRIC MOTOR HITACHI	C4-5
ELECTRICAL 1 JU2-205701~305999	C11-12
ELECTRICAL 1 JU2-306201~ LE MODEL ADC MOTOR	D3-4
ELECTRICAL 1 JU2-306201~ WITH HITACHI MOTOR	D1-2
ELECTRICAL 1 ~JU2-205700	C9-10
FRAME	A3
FRONT SUSPENSION WHEEL	A4-5
OPTIONAL ENERGY/HOUR GAUGES	D12
OPTIONAL HUB CAPS	E1
OPTIONAL LIGHT KIT	D9
OPTIONAL LIGHT KIT STREAMLINE JU2	D10-11
OPTIONAL SUN ROOF	D8
OPTIONAL WINDSHIELD	D7
REAR ARM SUSPENSION	A2
REAR AXLE MOUNT WHEEL	B5
SEAT	C1
STEERING	A6-7
TRANSAXLE JU2-200101~	B3-4
TRANSAXLE ~JU0-199900 ~MODELS IN THIS CATALOG	B1-2 E2



JU22100-D180



# ELECTRICAL 1 ~JU2-205700



Ref. No.	Part Number	Description	Qty	Remarks
1	JF3-H2136-00-00	PLATE, BATTERY FITTING	3	
2	JN3-H2133-00-00	SCREW, FITTING	6	
3	90201-068R7-00	WASHER, PLATE	6	
4	95707-06500-00	NUT, FLANGE	6	
5	JU2-H2115-00-00	WIRE, PLUS LEAD	1	
6	JR1-H2127-01-00	WIRE, LEAD 2	4	
7	JR1-H2149-01-00	WIRE, LEAD 3	1	
8	JR1-H2917-10-00	SWITCH	1	
9	JU2-H2521-00-00	WIRE, LEAD	1	F1 LEAD
10	JU2-H2531-00-00	WIRE, LEAD	1	F2 LEAD
11	JU2-H6171-00-00	WIRE, LEAD 1	1	A1 LEAD
12	90465-13152-00	CLAMP	3	
13	JU2-H6172-00-00	WIRE, LEAD 2	1	A2 LEAD
14	JU2-H7196-00-00	TUBE 1	1	
15	JU2-H2590-00-00	WIRE HARNESS	1	
16	JR1-H2151-00-00	. FUSE (3A)	1	(3A-BL)
17	JR1-H1950-00-00	RELAY ASSY	1	
18	JN6-H2105-00-00	WIRE HARNESS	1	
19	90163-06005-00	SCREW, TAPPING	2	
20	JR1-H3383-01-00	BUZZER	1	
21	JN6-H3386-01-00	STAY, BUZZER	1	
22	JR1-H6181-02-00	RECEPTACLE	1	
23	JU2-H1215-00-00	WIRE, LEAD 1	1	
24	JU2-H1216-00-00	WIRE, LEAD 2	1	
25	JF7-82817-20-00	SWITCH	1	
26	97607-05325-00	SCREW, PAN HEAD WITH WASHER	2	
27	90464-31827-00	CLAMP	4	
28	JG6-H1872-00-00	NUT, SPECIAL	4	
29	JU2-H6527-00-00	WIRE 7	1	

## CONTENTS

ACCELERATOR	A12
BATTERY CHARGER DPI	D6
BATTERY CHARGER MAC	D5
BODY 1	B7-8
BODY 2	B9-10
BODY FITTING	B11
BRAKE 1	A8-9
BRAKE 2	A10
BRAKE 3	A11
BUMPER	B6
CARRIER	B12
CONTROLLER 1 GE	
~JU2-202130	C6
CONTROLLER 1 MORIC	
JU2-202131~	C7-8
ELECTRIC MOTOR ADC	
JU2-205701~	C3
ELECTRIC MOTOR GE -	
JU2-205700	C2
ELECTRIC MOTOR HITACHI	C4-5
ELECTRICAL 1	
JU2-205701~305999	C11-12
ELECTRICAL 1 JU2-306201~	
LE MODEL ADC MOTOR	D3-4
ELECTRICAL 1 JU2-306201~	
WITH HITACHI MOTOR	D1-2
ELECTRICAL 1 ~JU2-205700	C9-10
FRAME	A3
FRONT SUSPENSION WHEEL	A4-5
OPTIONAL ENERGY/HOUR	
GAUGES	D12
OPTIONAL HUB CAPS	E1
OPTIONAL LIGHT KIT	D9
OPTIONAL LIGHT KIT	
STREAMLINE JU2	D10-11
OPTIONAL SUN ROOF	D8
OPTIONAL WINDSHIELD	D7
REAR ARM SUSPENSION	A2
REAR AXLE MOUNT WHEEL	B5
SEAT	C1
STEERING	A6-7
TRANSAXLE JU2-200101~	B3-4
TRANSAXLE ~JU0-199900	B1-2
~MODELS IN THIS CATALOG	E2

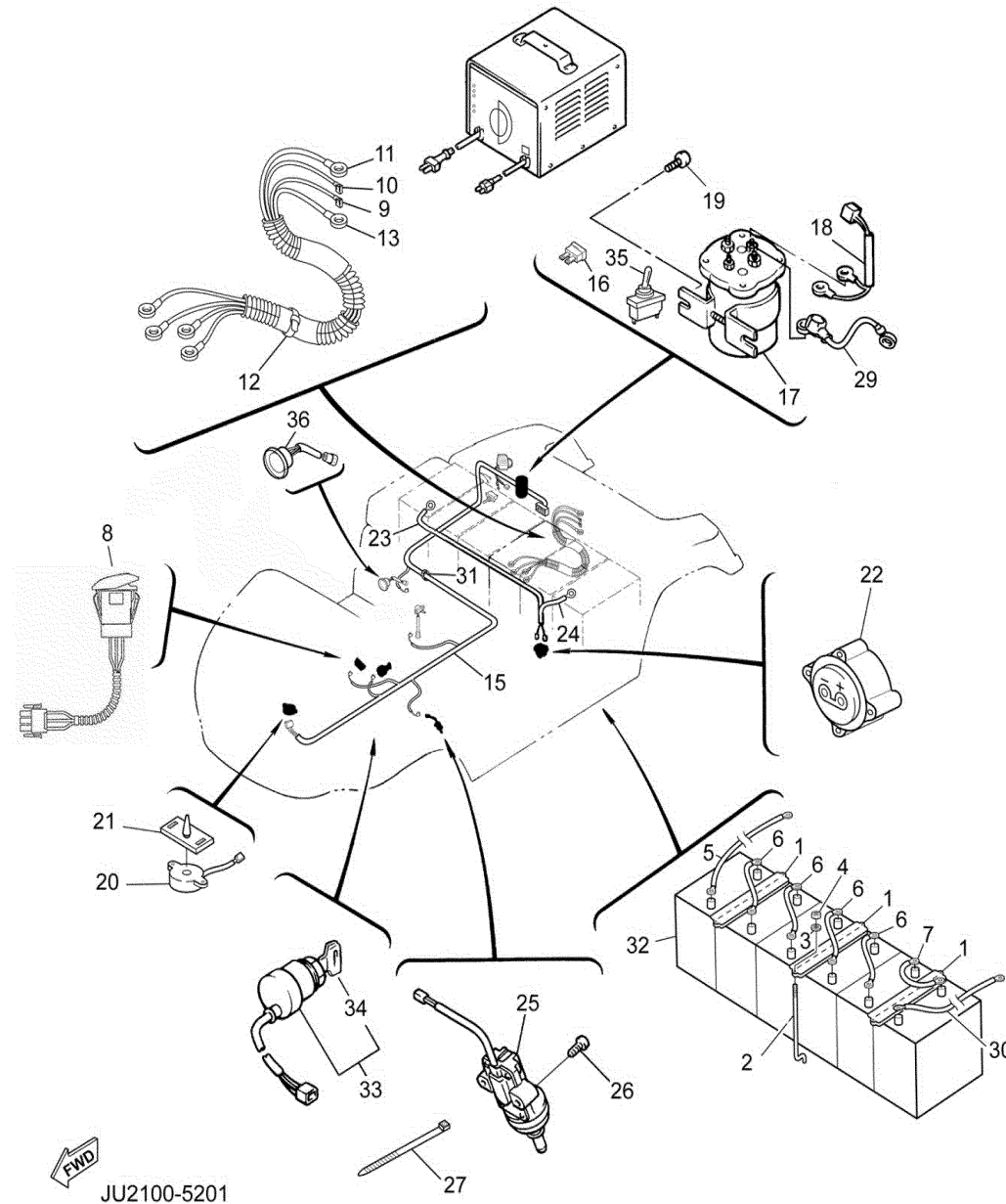
CONTINUED ON NEXT FRAME ➤

# ELECTRICAL 1 ~JU2-205700

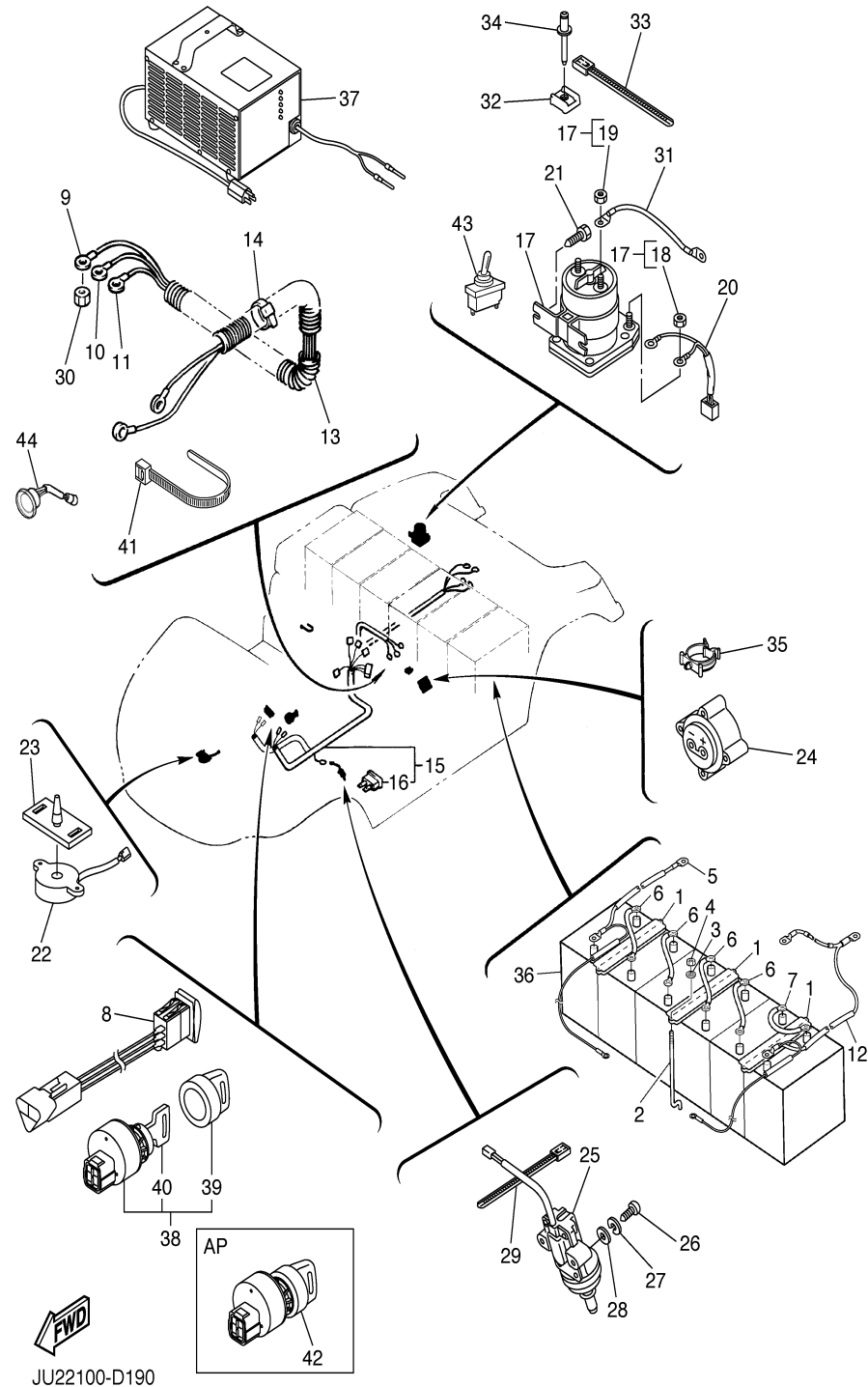
Ref. No.	Part Number	Description	Qty	Remarks
30	JU2-H6521-00-00	WIRE 1 .....	1	
31	90464-25826-00	CLAMP .....	3	
32	JR1-H2210-20-00	BATTERY ASSY .....	6	8 VOLT, BCI GROUP GC-2H, USE LOCAL MFR.
	JR1-H2210-C0-00	BATTERY ASSY .....	6	8 VOLT, BCI GROUP GC-2H, USE LOCAL MFR.
33	JR1-82510-02-00	MAIN SWITCH ASSY .....	1	COMMON KEY
	JR1-82510-09-00	MAIN SWITCH ASSY, RANDOM KEY .....	1	AP
34	J44-82511-00-YY	. KEY, MAIN SWITCH .....	1	FOR STD MAIN SWITCH ONLY
35	JR1-H2727-00-00	SWITCH .....	1	TOW/STORAGE SWITCH
36	JU2-HA2F0-00-00	TRANSMITTING UNIT .....	1	OPTIONAL FOR GENIUS SYSTEM

## CONTENTS

ACCELERATOR	A12
BATTERY CHARGER DPI	D6
BATTERY CHARGER MAC	D5
BODY 1	B7-8
BODY 2	B9-10
BODY FITTING	B11
BRAKE 1	A8-9
BRAKE 2	A10
BRAKE 3	A11
BUMPER	B6
CARRIER	B12
CONTROLLER 1 GE ~JU2-202130	C6
CONTROLLER 1 MORIC JU2-202131~	C7-8
ELECTRIC MOTOR ADC JU2-205701~	C3
ELECTRIC MOTOR GE ~JU2-205700	C2
ELECTRIC MOTOR HITACHI ELECTRICAL 1 JU2-205701~305999	C4-5
ELECTRICAL 1 JU2-306201~LE MODEL ADC MOTOR	C11-12
ELECTRICAL 1 JU2-306201~WITH HITACHI MOTOR	D3-4
ELECTRICAL 1 ~JU2-205700	D1-2
FRAME	C9-10
FRONT SUSPENSION WHEEL	A3
OPTIONAL ENERGY/HOUR GAUGES	A4-5
OPTIONAL HUB CAPS	D12
OPTIONAL LIGHT KIT	E1
OPTIONAL LIGHT KIT STREAMLINE JU2	D9
OPTIONAL SUN ROOF	D10-11
OPTIONAL WINDSHIELD	D8
REAR ARM SUSPENSION	D7
REAR AXLE MOUNT WHEEL	A2
SEAT	B5
STEERING	C1
TRANSAXLE JU2-200101~	A6-7
TRANSAXLE ~JU0-199900	B3-4
~MODELS IN THIS CATALOG	B1-2
	E2



# ELECTRICAL 1 JU2-205701~305999



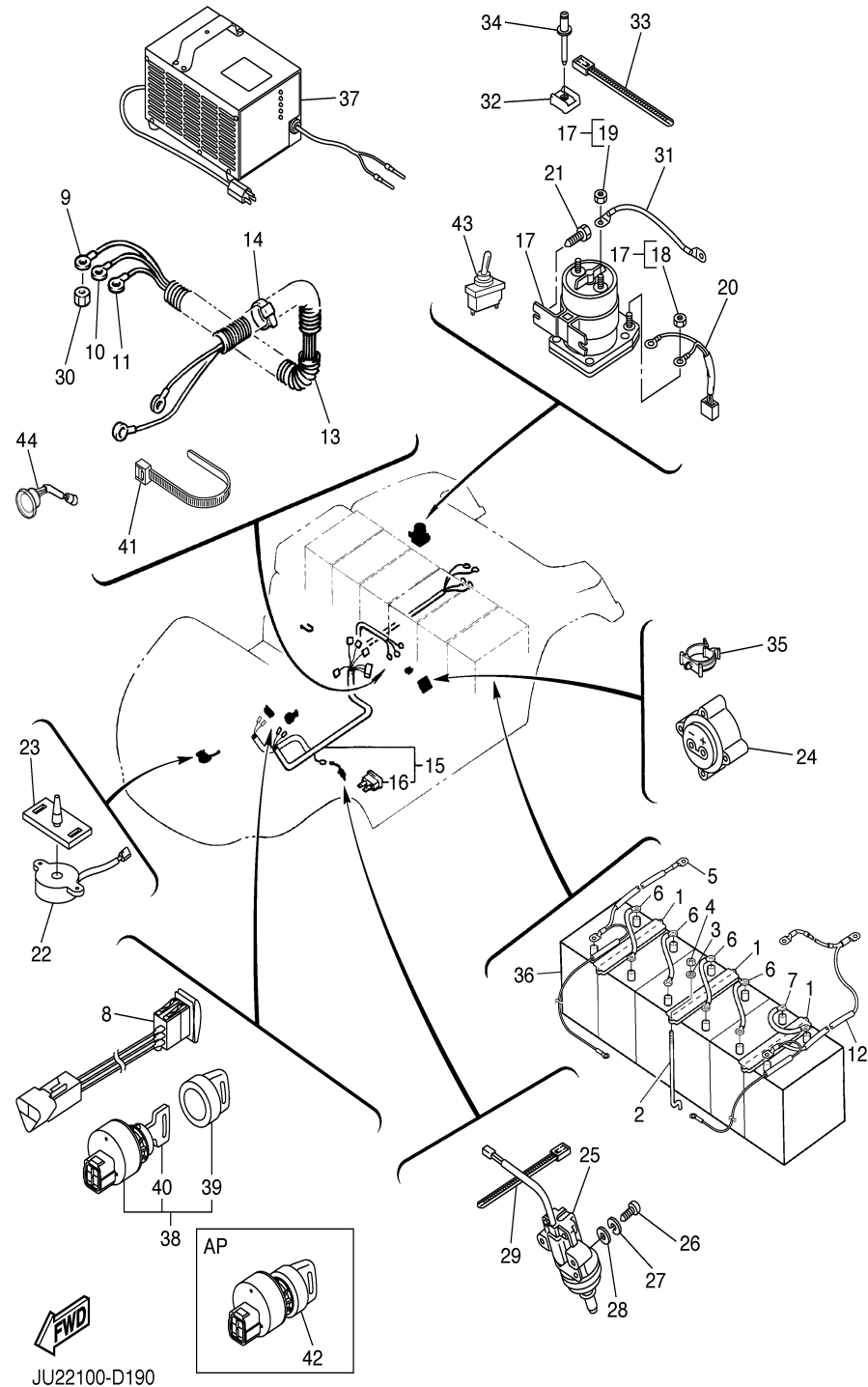
Ref. No.	Part Number	Description	Qty	Remarks
1	JF3-H2136-00-00	PLATE, BATTERY FITTING	3	
2	JN3-H2133-00-00	SCREW, FITTING	6	
3	90201-068R7-00	WASHER, PLATE	6	
4	95707-06500-00	NUT, FLANGE	6	
5	JU2-H2115-10-00	WIRE, PLUS LEAD	1	
6	JU2-H2127-10-00	WIRE, LEAD 2	4	
7	JU2-H2149-10-00	WIRE, LEAD 3	1	
8	JU2-H2917-00-00	SWITCH	1	
9	JU2-H2521-10-00	WIRE, LEAD	1	F1 LEAD
10	JU2-H2531-10-00	WIRE, LEAD	1	F2 LEAD
11	JU2-H6171-10-00	WIRE, LEAD 1	1	A1 LEAD
12	JU2-H6172-10-00	WIRE, LEAD 2	1	A2 LEAD
13	JU2-H7196-00-00	TUBE 1	1	
14	90465-13152-00	CLAMP	1	
15	JU2-H2590-10-00	WIRE HARNESS ASSY	1	
16	JR1-H2151-00-00	. FUSE (3A)	1	
17	JU6-H1950-00-00	RELAY ASSY	1	
18	90179-05886-00	. NUT	2	
19	90179-08887-00	. NUT	2	
20	JN6-H2105-00-00	WIRE HARNESS	1	
21	90163-06005-00	SCREW, TAPPING	2	
22	JR1-H3383-01-00	BUZZER	1	
23	JN6-H3386-01-00	STAY, BUZZER	1	
24	JR1-H6181-02-00	RECEPTACLE	1	
25	JF7-82817-20-00	SWITCH	2	
26	98507-05025-00	SCREW, PAN HEAD	2	
27	92907-05100-00	WASHER, LOCK	2	
28	92907-05600-00	WASHER, PLATE	2	
29	90464-40825-00	CLAMP	4	
30	JG6-H1872-00-00	NUT, SPECIAL	4	

## CONTENTS

ACCELERATOR	A12
BATTERY CHARGER DPI	D6
BATTERY CHARGER MAC	D5
BODY 1	B7-8
BODY 2	B9-10
BODY FITTING	B11
BRAKE 1	A8-9
BRAKE 2	A10
BRAKE 3	A11
BUMPER	B6
CARRIER	B12
CONTROLLER 1 GE ~JU2-202130	C6
CONTROLLER 1 MORIC JU2-202131~	C7-8
ELECTRIC MOTOR ADC JU2-205701~	C3
ELECTRIC MOTOR GE - JU2-205700	C2
ELECTRIC MOTOR HITACHI ELECTRICAL 1 JU2-205701~305999	C11-12
ELECTRICAL 1 JU2-306201~ LE MODEL ADC MOTOR	D3-4
ELECTRICAL 1 JU2-306201~ WITH HITACHI MOTOR	D1-2
ELECTRICAL 1 ~JU2-205700	C9-10
FRAME	A3
FRONT SUSPENSION WHEEL	A4-5
OPTIONAL ENERGY/HOUR GAUGES	D12
OPTIONAL HUB CAPS	E1
OPTIONAL LIGHT KIT	D9
OPTIONAL LIGHT KIT STREAMLINE JU2	D10-11
OPTIONAL SUN ROOF	D8
OPTIONAL WINDSHIELD	D7
REAR ARM SUSPENSION	A2
REAR AXLE MOUNT WHEEL	B5
SEAT	C1
STEERING	A6-7
TRANSAXLE JU2-200101~	B3-4
TRANSAXLE ~JU0-199900	B1-2
~MODELS IN THIS CATALOG	E2

CONTINUED ON NEXT FRAME ►

# ELECTRICAL 1 JU2-205701~305999

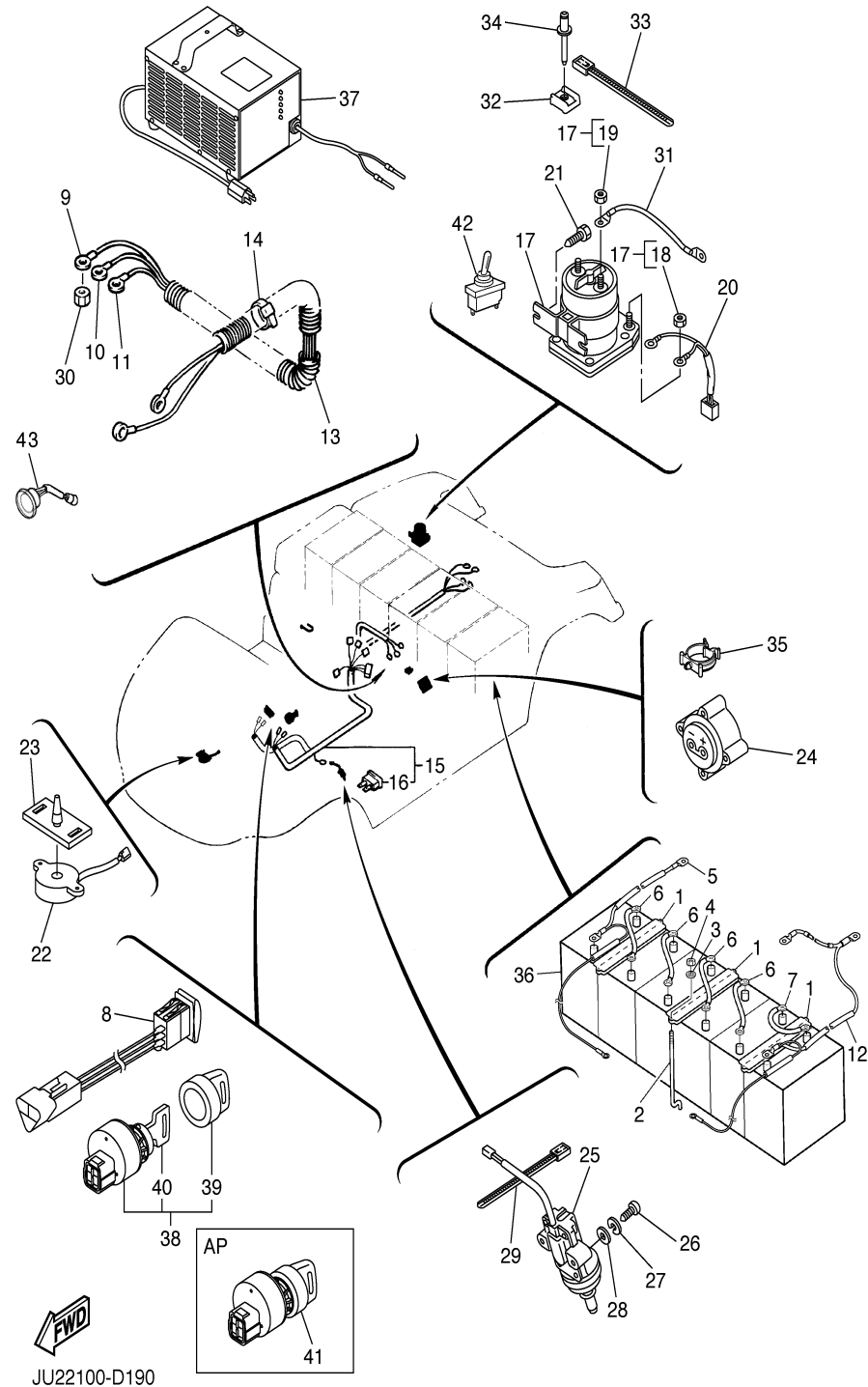


Ref. No.	Part Number	Description	Qty	Remarks
31	JU2-H6527-10-00	WIRE 7	1	
32	90207-05800-00	WASHER, FINISH	2	
33	90464-40825-00	CLAMP	2	
34	90267-489U9-00	RIVET, BLIND	2	
35	90464-25826-00	CLAMP	2	
36	JR1-H2110-20-00	BATTERY, 8V, BCI GRP. GC-2H	6	CALL PARTS DEPT.
37	MAC-SCR48-17-17	CHARGER (JR1-H2107-03-00)	1	UR, U.S. BATTERY
	JU2-H2107-20-00	CHARGER DPI	1	UR, TROJAN BATTERY
38	JU2-H2510-10-00	MAIN SWITCH ASSY	1	STD WITH COMMON KEY
39	5UG-H2579-00-00	. CAP, KEY	1	
40	JU2-H2511-00-00	. KEY, MAIN SWITCH	1	COMMON
41	90464-14806-00	CLAMP	1	
42	JU2-H2510-20-00	MAIN SWITCH ASSY	1	AP RANDOM KEY
43	JU2-H2727-00-00	SWITCH	1	TOW/STORAGE SWITCH
44	JU2-HA2F0-00-00	TRANSMITTING UNIT	1	OPTIONAL FOR GENIUS SYSTEM

## CONTENTS

ACCELERATOR	A12
BATTERY CHARGER DPI	D6
BATTERY CHARGER MAC	D5
BODY 1	B7-8
BODY 2	B9-10
BODY FITTING	B11
BRAKE 1	A8-9
BRAKE 2	A10
BRAKE 3	A11
BUMPER	B6
CARRIER	B12
CONTROLLER 1 GE	
~JU2-202130	C6
CONTROLLER 1 MORIC	
JU2-202131~	C7-8
ELECTRIC MOTOR ADC	
JU2-205701~	C3
ELECTRIC MOTOR GE -	
JU2-205700	C2
ELECTRIC MOTOR HITACHI	C4-5
ELECTRICAL 1	
JU2-205701~305999	C11-12
ELECTRICAL 1 JU2-306201~	
LE MODEL ADC MOTOR	D3-4
ELECTRICAL 1 JU2-306201~	
WITH HITACHI MOTOR	D1-2
ELECTRICAL 1 ~JU2-205700	C9-10
FRAME	A3
FRONT SUSPENSION WHEEL	A4-5
OPTIONAL ENERGY/HOUR	
GAUGES	D12
OPTIONAL HUB CAPS	E1
OPTIONAL LIGHT KIT	D9
OPTIONAL LIGHT KIT	
STREAMLINE JU2	D10-11
OPTIONAL SUN ROOF	D8
OPTIONAL WINDSHIELD	D7
REAR ARM SUSPENSION	A2
REAR AXLE MOUNT WHEEL	B5
SEAT	C1
STEERING	A6-7
TRANSAXLE JU2-200101~	B3-4
TRANSAXLE ~JU0-199900	B1-2
~MODELS IN THIS CATALOG	E2

# ELECTRICAL 1 JU2-306201~ WITH HITACHI MOTOR



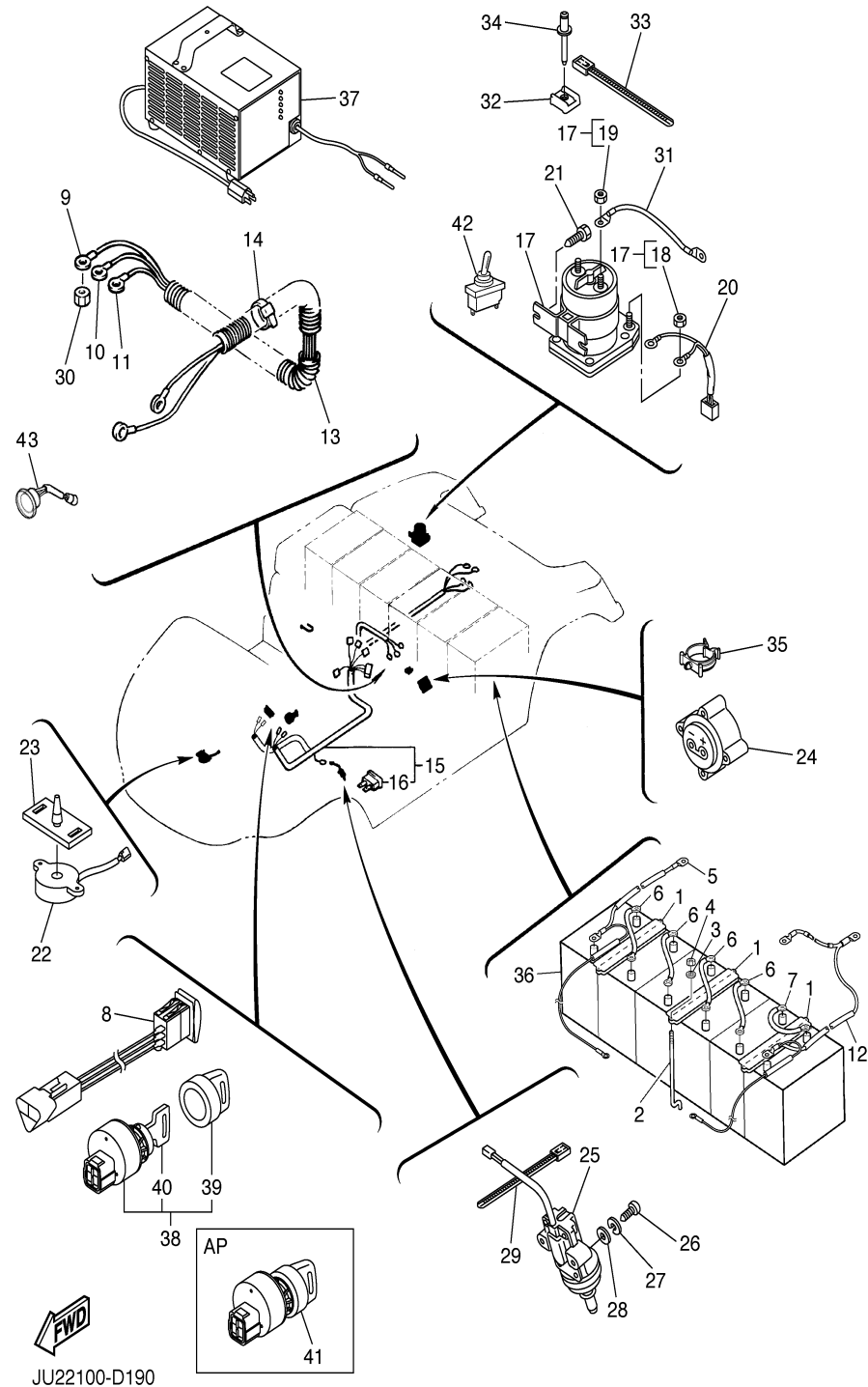
Ref. No.	Part Number	Description	Qty	Remarks
1	JF3-H2136-00-00	PLATE, BATTERY FITTING	3	
2	JN3-H2133-00-00	SCREW, FITTING	6	
3	90201-068R7-00	WASHER, PLATE	6	
4	95707-06500-00	NUT, FLANGE	6	
5	JU2-H2115-20-00	WIRE, PLUS LEAD	1	
6	JU2-H2127-10-00	WIRE, LEAD 2	4	
7	JU2-H2149-00-00	WIRE, LEAD 3	1	
8	JU2-H2917-00-00	SWITCH	1	
9	JU2-H2521-20-00	WIRE, LEAD	1	F1 LEAD
10	JU2-H2531-20-00	WIRE, LEAD	1	F2 LEAD
11	JU2-H6171-20-00	WIRE, LEAD 2	1	A1 LEAD
12	JU2-H6172-20-00	WIRE, LEAD 3	1	A2 LEAD
13	JU2-H7196-00-00	TUBE 1	1	
14	90465-13152-00	CLAMP	1	
15	JU2-H2590-20-00	WIRE HARNESS ASSY	1	
16	JR1-H2151-00-00	. FUSE (3A)	1	
17	JU6-H1950-00-00	RELAY ASSY	1	
18	90179-5886-00	. NUT	2	
19	90179-08887-00	. NUT	2	
20	JN6-H2105-00-00	WIRE HARNESS	1	
21	90163-06005-00	SCREW, TAPPING	2	
22	JR1-H3383-01-00	BUZZER	1	
23	JN6-H3386-01-00	STAY, BUZZER	1	
24	JR1-H6181-02-00	RECEPTACLE	1	
25	JF7-82817-00-00	SWITCH	2	
26	98507-05025-00	SCREW, PAN HEAD	2	
27	92907-05100-00	WASHER, LOCK	2	
28	92907-05600-00	WASHER, PLATE	2	
29	90464-40825-00	CLAMP	4	
30	JG6-H1872-00-00	NUT, SPECIAL	4	

## CONTENTS

ACCELERATOR	A12
BATTERY CHARGER DPI	D6
BATTERY CHARGER MAC	D5
BODY 1	B7-8
BODY 2	B9-10
BODY FITTING	B11
BRAKE 1	A8-9
BRAKE 2	A10
BRAKE 3	A11
BUMPER	B6
CARRIER	B12
CONTROLLER 1 GE ~JU2-202130	C6
CONTROLLER 1 MORIC JU2-202131~	C7-8
ELECTRIC MOTOR ADC JU2-205701~	C3
ELECTRIC MOTOR GE - JU2-205700	C2
ELECTRIC MOTOR HITACHI ELECTRICAL 1 JU2-205701~305999	C4-5
ELECTRICAL 1 JU2-306201~ LE MODEL ADC MOTOR	C11-12
ELECTRICAL 1 JU2-306201~ WITH HITACHI MOTOR	D1-2
ELECTRICAL 1 ~JU2-205700	C9-10
FRAME	A3
FRONT SUSPENSION WHEEL	A4-5
OPTIONAL ENERGY/HOUR GAUGES	D12
OPTIONAL HUB CAPS	E1
OPTIONAL LIGHT KIT	D9
OPTIONAL LIGHT KIT STREAMLINE JU2	D10-11
OPTIONAL SUN ROOF	D8
OPTIONAL WINDSHIELD	D7
REAR ARM SUSPENSION	A2
REAR AXLE MOUNT WHEEL	B5
SEAT	C1
STEERING	A6-7
TRANSAXLE JU2-200101~	B3-4
TRANSAXLE ~JU0-199900	B1-2
~MODELS IN THIS CATALOG	E2

CONTINUED ON NEXT FRAME ►

# ELECTRICAL 1 JU2-306201~ WITH HITACHI MOTOR

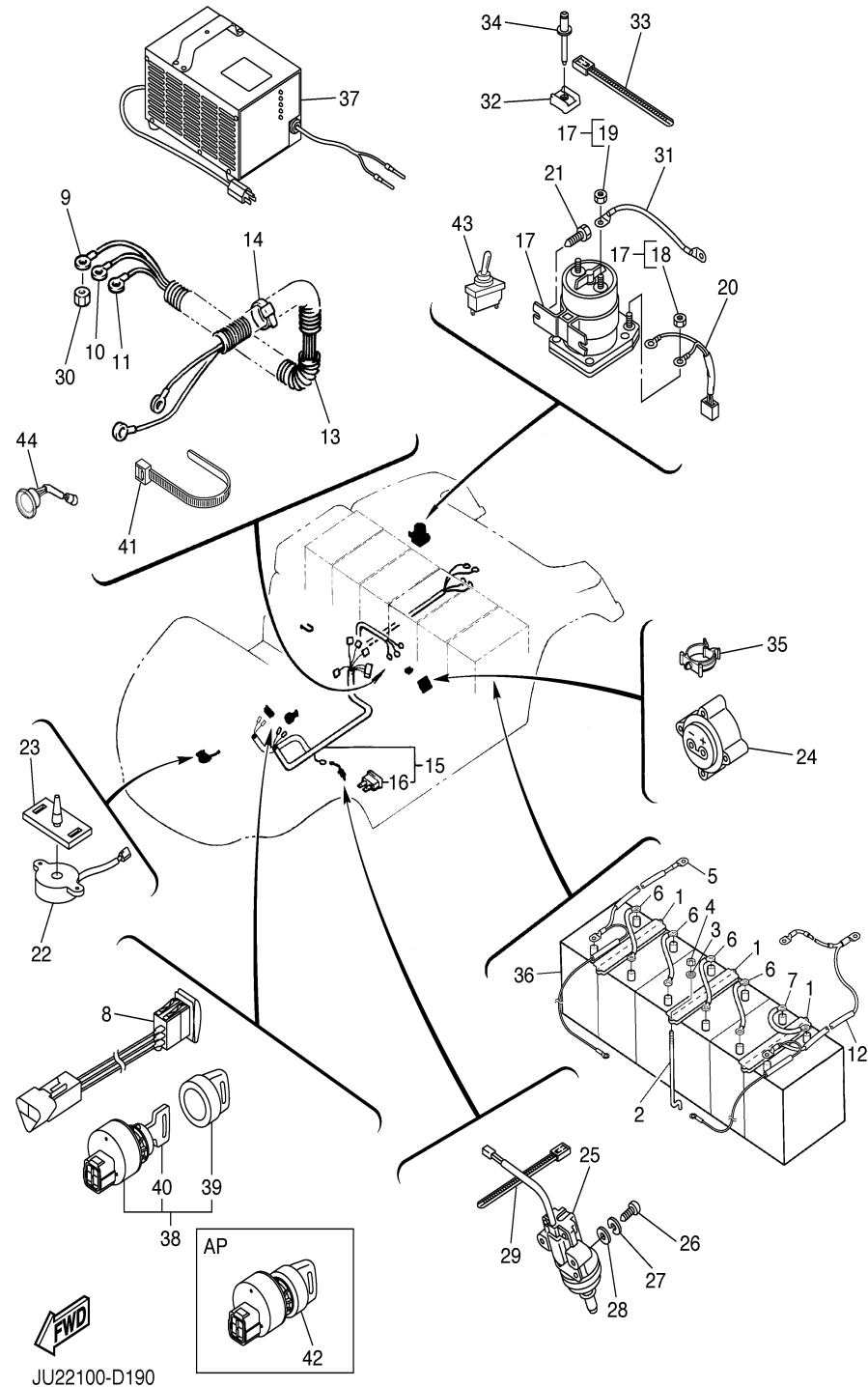


Ref. No.	Part Number	Description	Qty	Remarks
31	JU2-H6527-01-00	WIRE 7	1	
32	90207-05800-00	WASHER, FINISH	2	
33	90464-40825-00	CLAMP	2	
34	90267-489U9-00	RIVET, BLIND	2	
35	90464-25826-00	CLAMP	2	
36	JR1-H2110-31-00	BATTERY, 8V, BCI, GRP, GC8	6	CALL PARTS DEPT., TROJAN BATTERY MODEL T875
37	JU2-H2107-20-00	CHARGER DPI	1	FOR TROJAN BATTERY
38	JU2-H2510-10-00	MAIN SWITCH ASSY	1	STD WITH COMMON KEY
39	5UG-H2579-00-00	. CAP, KEY	1	
40	JU2-H2511-00-00	. KEY, MAIN SWITCH	1	COMMON
41	JU2-H2510-20-00	MAIN SWITCH ASSY	1	AP RANDOM KEY
42	JU2-H2727-00-00	SWITCH	1	TOW/STORAGE SWITCH
43	JU2-HA2F0-10-00	TRANSMITTING UNIT	1	OPTIONAL FOR GENIUS SYSTEM

## CONTENTS

ACCELERATOR	A12
BATTERY CHARGER DPI	D6
BATTERY CHARGER MAC	D5
BODY 1	B7-8
BODY 2	B9-10
BODY FITTING	B11
BRAKE 1	A8-9
BRAKE 2	A10
BRAKE 3	A11
BUMPER	B6
CARRIER	B12
CONTROLLER 1 GE ~JU2-202130	C6
CONTROLLER 1 MORIC JU2-202131~	C7-8
ELECTRIC MOTOR ADC JU2-205701~	C3
ELECTRIC MOTOR GE ~JU2-205700	C2
ELECTRIC MOTOR HITACHI ELECTRICAL 1 JU2-205701~305999	C4-5
ELECTRICAL 1 JU2-306201~ LE MODEL ADC MOTOR	C11-12
ELECTRICAL 1 JU2-306201~ WITH HITACHI MOTOR	D3-4
ELECTRICAL 1 ~JU2-205700	D1-2
FRAME	C9-10
FRONT SUSPENSION WHEEL	A3
OPTIONAL ENERGY/HOUR GAUGES	A4-5
OPTIONAL HUB CAPS	D12
OPTIONAL LIGHT KIT	E1
OPTIONAL LIGHT KIT STREAMLINE JU2	D9
OPTIONAL SUN ROOF	D10-11
OPTIONAL WINDSHIELD	D8
REAR ARM SUSPENSION	D7
REAR AXLE MOUNT WHEEL	A2
SEAT	B5
STEERING	C1
TRANSAXLE JU2-200101~	A6-7
TRANSAXLE ~JU0-199900	B3-4
~MODELS IN THIS CATALOG	B1-2
	E2

# ELECTRICAL 1 JU2-306201~ LE MODEL ADC MOTOR



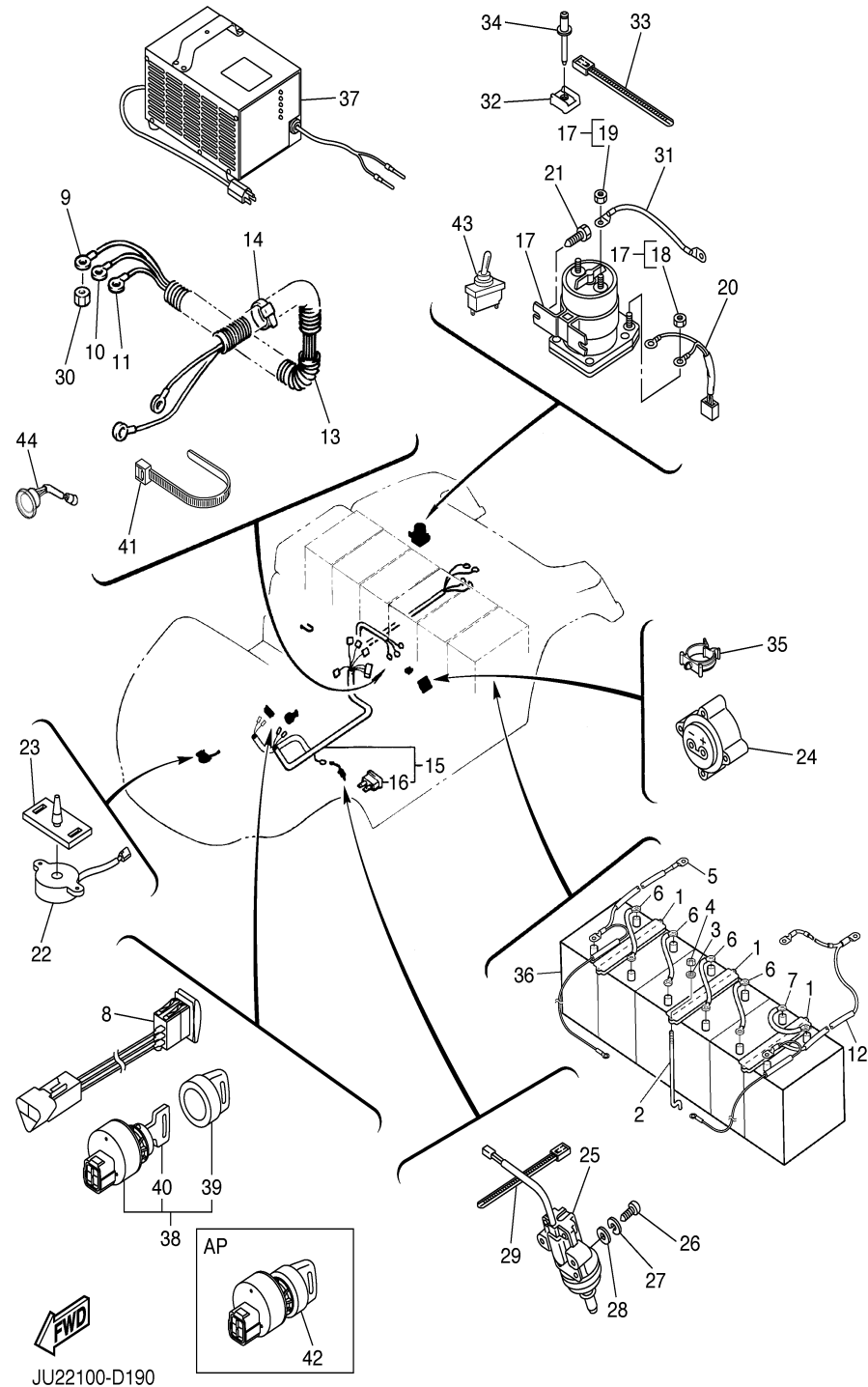
Ref. No.	Part Number	Description	Qty	Remarks
1	JF3-H2136-00-00	PLATE, BATTERY FITTING	3	
2	JN3-H2133-00-00	SCREW, FITTING	6	
3	90201-06500-00	WASHER, PLATE	6	
4	95707-06500-00	NUT, FLANGE	6	
5	JU2-H211-20-00	WIRE, PLUS LEAD	1	
6	JU2-H2127-10-00	WIRE, LEAD 2	4	
7	JU2-H2149-10-00	WIRE, LEAD 3	1	
8	JU2-H2917-00-00	SWITCH	1	
9	JU2-H2521-20-00	WIRE, LEAD	1	F1 LEAD
10	JU2-H2531-20-00	WIRE, LEAD	1	F2 LEAD
11	JU2-H6171-20-00	WIRE, LEAD 2	1	A1 LEAD
12	JU2-H6172-20-00	WIRE, LEAD 3	1	A2 LEAD
13	JU2-H7196-00-00	TUBE 1	1	
14	90465-13152-00	CLAMP	1	
15	JU2-H2590-10-00	WIRE HARNESS ASSY	1	
16	JR1-H2151-00-00	. FUSE (3A)	1	
17	JU6-H1950-00-00	RELAY ASSY	1	
18	90179-05886-00	. NUT	2	
19	90179-08887-00	. NUT	2	
20	JN6-H2105-00-00	WIRE HARNESS	1	
21	90163-06005-00	SCREW, TAPPING	2	
22	JR1-H3383-01-00	BUZZER	1	
23	JN6-H3386-01-00	STAY, BUZZER	1	
24	JF7-H6181-02-00	RECEPTACLE	1	
25	JF7-82817-20-00	SWITCH	2	
26	98507-05025-00	SCREW, PAN HEAD	2	
27	92907-05100-00	WASHER, LOCK	2	
28	92907-05600-00	WASHER, PLATE	2	
29	90464-40825-00	CLAMP	4	
30	JG6-H1872-00-00	NUT, SPECIAL	4	

## CONTENTS

ACCELERATOR	A12
BATTERY CHARGER DPI	D6
BATTERY CHARGER MAC	D5
BODY 1	B7-8
BODY 2	B9-10
BODY FITTING	B11
BRAKE 1	A8-9
BRAKE 2	A10
BRAKE 3	A11
BUMPER	B6
CARRIER	B12
CONTROLLER 1 GE ~JU2-202130	C6
CONTROLLER 1 MORIC JU2-202131~	C7-8
ELECTRIC MOTOR ADC JU2-205701~	C3
ELECTRIC MOTOR GE - JU2-205700	C2
ELECTRIC MOTOR HITACHI ELECTRICAL 1 JU2-205701~305999	C4-5
ELECTRICAL 1 JU2-306201~ LE MODEL ADC MOTOR	C11-12
ELECTRICAL 1 JU2-306201~ WITH HITACHI MOTOR	D3-4
ELECTRICAL 1 ~JU2-205700	D1-2
FRAME	C9-10
FRONT SUSPENSION WHEEL	A3
OPTIONAL ENERGY/HOUR GAUGES	A4-5
OPTIONAL HUB CAPS	D12
OPTIONAL LIGHT KIT	E1
OPTIONAL LIGHT KIT STREAMLINE JU2	D9
OPTIONAL SUN ROOF	D10-11
OPTIONAL WINDSHIELD	D8
REAR ARM SUSPENSION	D7
REAR AXLE MOUNT WHEEL	A2
SEAT	B5
STEERING	C1
TRANSAXLE JU2-200101~	A6-7
TRANSAXLE ~JU0-199900	B3-4
~MODELS IN THIS CATALOG	B1-2
	E2

CONTINUED ON NEXT FRAME ►

# ELECTRICAL 1 JU2-306201~ LE MODEL ADC MOTOR



Ref. No.	Part Number	Description	Qty	Remarks
31	JU2-H6527-10-00	WIRE 7	1	
32	90207-05800-00	WASHER, FINISH	2	
33	90464-40825-00	CLAMP	2	
34	90267-489U9-00	RIVET, BLIND	2	
35	90464-25826-00	CLAMP	2	
36	JR1-H2110-31-00	BATTERY, 8V, BCI, GRP, GC8	6	CALL PARTS DEPT., TROJAN BATTERY T875
37	JU2-H2107-20-00	CHARGER DPI	1	FOR TROJAN BATTERY
38	JU2-H2510-10-00	MAIN SWITCH ASSY	1	STD WITH COMMON KEY
39	5UG-H2510-10-00	. CAP, KEY	1	
40	JU2-H2511-00-00	. KEY, MAIN SWITCH	1	COMMON
41	90464-14806-00	CLAMP	1	
42	JU2-H2510-20-00	MAIN SWITCH ASSY	1	AP RANDOM KEY
43	JU2-H2727-00-00	SWITCH	1	TOW/STORAGE SWITCH
44	JU2-HA2F0-10-00	TRANSMITTING UNIT	1	OPTIONAL FOR GENIUS SYSTEM

## CONTENTS

ACCELERATOR	A12
BATTERY CHARGER DPI	D6
BATTERY CHARGER MAC	D5
BODY 1	B7-8
BODY 2	B9-10
BODY FITTING	B11
BRAKE 1	A8-9
BRAKE 2	A10
BRAKE 3	A11
BUMPER	B6
CARRIER	B12
CONTROLLER 1 GE ~JU2-202130	C6
CONTROLLER 1 MORIC JU2-202131~	C7-8
ELECTRIC MOTOR ADC JU2-205701~	C3
ELECTRIC MOTOR GE ~JU2-205700	C2
ELECTRIC MOTOR HITACHI ELECTRICAL 1 JU2-205701~305999	C4-5
ELECTRICAL 1 JU2-306201~ LE MODEL ADC MOTOR	C11-12
ELECTRICAL 1 JU2-306201~ WITH HITACHI MOTOR	D3-4
ELECTRICAL 1 ~JU2-205700	D1-2
FRAME	C9-10
FRONT SUSPENSION WHEEL	A3
OPTIONAL ENERGY/HOUR GAUGES	A4-5
OPTIONAL HUB CAPS	D12
OPTIONAL LIGHT KIT	E1
OPTIONAL LIGHT KIT STREAMLINE JU2	D9
OPTIONAL SUN ROOF	D10-11
OPTIONAL WINDSHIELD	D8
REAR ARM SUSPENSION	D7
REAR AXLE MOUNT WHEEL	A2
SEAT	B5
STEERING	C1
TRANSAXLE JU2-200101~	A6-7
TRANSAXLE ~JU0-199900	B3-4
~MODELS IN THIS CATALOG	B1-2
	E2

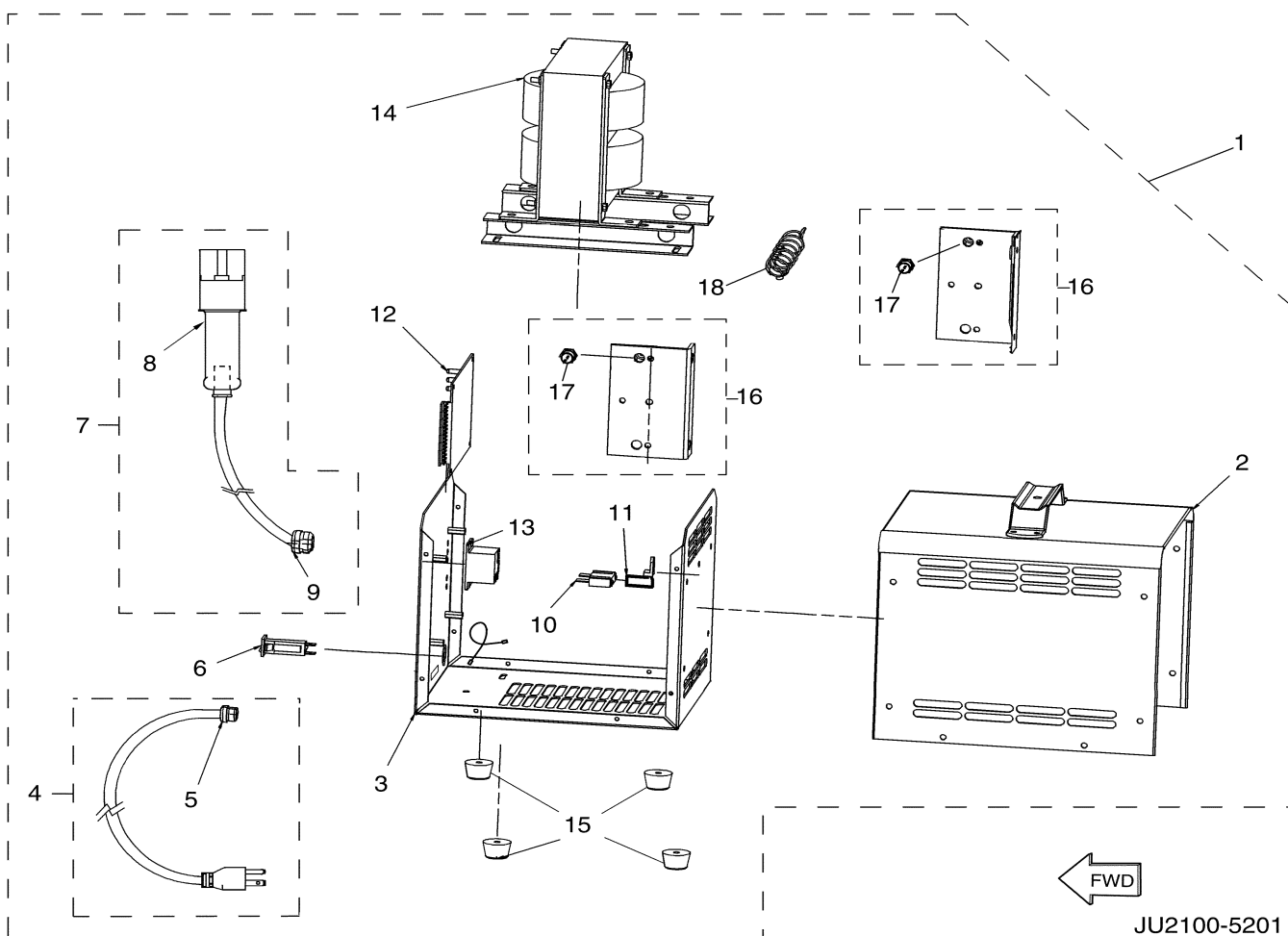


# BATTERY CHARGER MAC

Ref. No.	Part Number	Description	Qty	Remarks
1	MAC-SCR48-17-17	CHARGER (JR1-H2107-03-00)	1	MAC 60HZ/120V
2	MAC-WP141-06-20	. CASE, COVER	1	MAC
3	MAC-WP140-81-00	. CASE, MAIN	1	MAC
4	MAC-11438-10-00	. AC CORD ASSY	1	120V
5	MAC-M3660-00-00	. AC STRAIN RELIEF	1	MAC
6	MAC-M1406-10-00	. CIRCUIT BREAKER, 15 A AC	1	MAC
7	MAC-CDC10-23-00	. DC CORD ASSY 8FT	1	MAC
8	MAC-M1409-80-00	. DC PLUG SET	1	MAC
9	MAC-M6680-00-00	. DC STRAIN RELIEF	1	MAC
10	MAC-WP154-77-00	. DC FUSE ASSY	1	MAC
11	MAC-M1546-10-00	. TIE, CABLE STRAP	1	MAC
12	MAC-0480S-1F-17	. CONTROL CIRCUIT	1	MAC
13	MAC-M1406-50-00	. RELAY	1	MAC
14	MAC-TX141-10-V0	. POWER TRANSFORMER	1	U.S. 60HZ/120V
15	MAC-M1202-60-00	. BUMPER	1	
16	MAC-CHT00-73-R0	. RECTIFIER ASSY	2	RECTIFIER / HEAT SINK ASSY
17	MAC-M3998-00-00	. . RECTIFIER, SCR	2	RECTIFIER ONLY
18	MAC-WP135-52-L0	. SHUNT	1	MAC

## CONTENTS

ACCELERATOR	A12
BATTERY CHARGER DPI	D6
BATTERY CHARGER MAC	D5
BODY 1	B7-8
BODY 2	B9-10
BODY FITTING	B11
BRAKE 1	A8-9
BRAKE 2	A10
BRAKE 3	A11
BUMPER	B6
CARRIER	B12
CONTROLLER 1 GE	
~JU2-202130	C6
CONTROLLER 1 MORIC	
JU2-202131~	C7-8
ELECTRIC MOTOR ADC	
JU2-205701~	C3
ELECTRIC MOTOR GE -	
JU2-205700	C2
ELECTRIC MOTOR HITACHI	C4-5
ELECTRICAL 1	
JU2-205701~305999	C11-12
ELECTRICAL 1 JU2-306201~	
LE MODEL ADC MOTOR	D3-4
ELECTRICAL 1 JU2-306201~	
WITH HITACHI MOTOR	D1-2
ELECTRICAL 1 ~JU2-205700	C9-10
FRAME	A3
FRONT SUSPENSION WHEEL	A4-5
OPTIONAL ENERGY/HOUR	
GAUGES	D12
OPTIONAL HUB CAPS	E1
OPTIONAL LIGHT KIT	D9
OPTIONAL LIGHT KIT	
STREAMLINE JU2	D10-11
OPTIONAL SUN ROOF	D8
OPTIONAL WINDSHIELD	D7
REAR ARM SUSPENSION	A2
REAR AXLE MOUNT WHEEL	B5
SEAT	C1
STEERING	A6-7
TRANSAXLE JU2-200101~	B3-4
TRANSAXLE ~JU0-199900	B1-2
~MODELS IN THIS CATALOG	E2

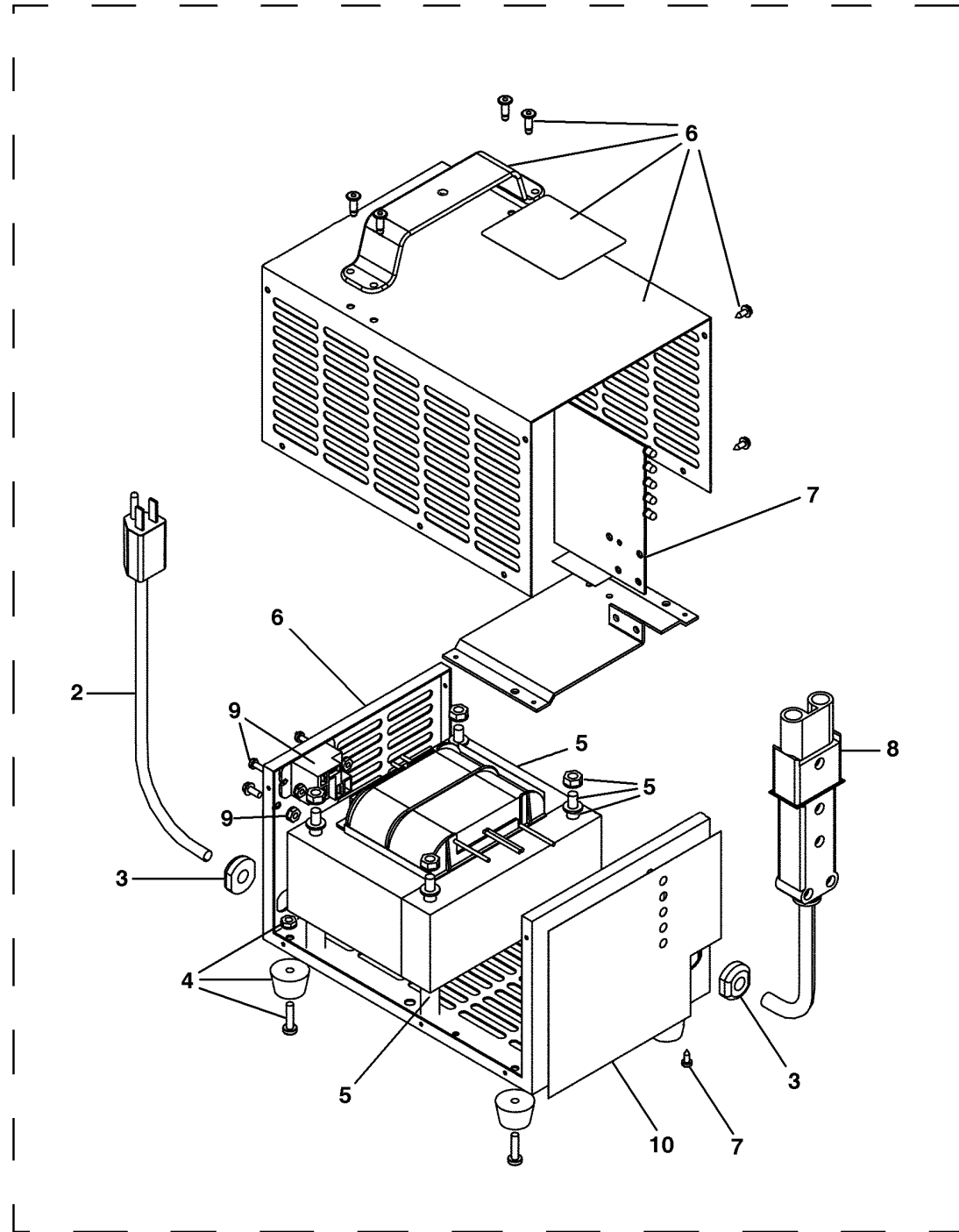


# BATTERY CHARGER DPI

Ref. No.	Part Number	Description	Qty	Remarks
1	JU2-H2107-20-00	CHARGER DPI .....	1	DPI 60HZ/120V
2	DPI-JU201-00-00	. INPUT AC CABLE .....	1	KIT 1
3	DPI-JU202-00-00	. STRAIN RELIEF SET .....	1	KIT 2
4	DPI-JU203-00-00	. BUMPER SET .....	1	KIT 3
5	DPI-JU204-00-00	. TRANSFORMER SET .....	1	KIT 4
6	DPI-JU205-00-00	. CASE SET .....	1	KIT 5
7	DPI-JU206-00-00	. PC BOARD SET .....	1	KIT 6
8	DPI-JU207-00-00	. DC PLUG .....	1	KIT 7
9	DPI-JU208-00-00	. RELAY SET .....	1	KIT 8
10	DPI-JU209-00-00	. FRONT PANEL LABEL .....	1	KIT 9

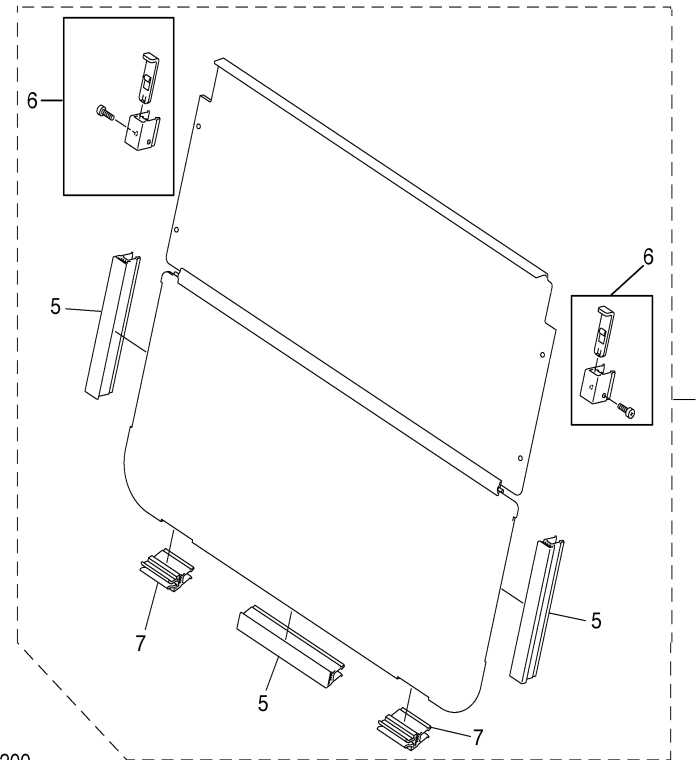
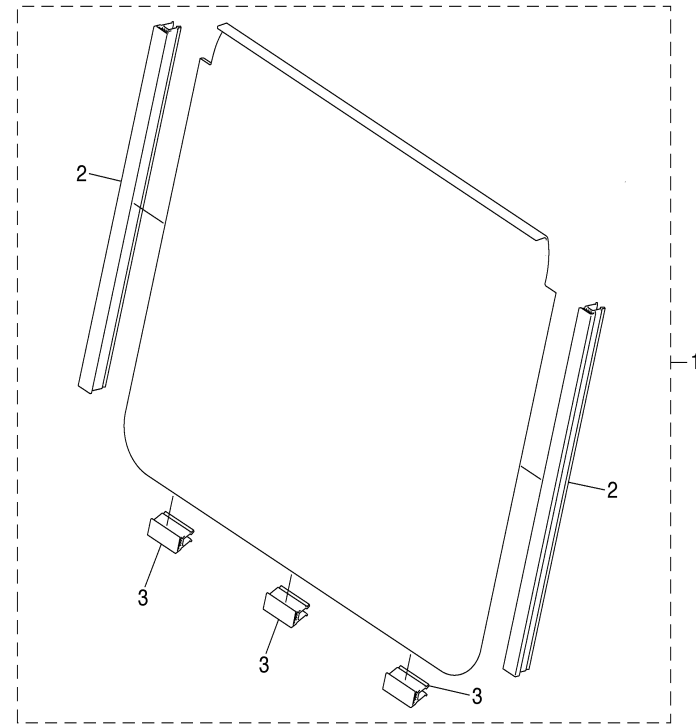
## CONTENTS

ACCELERATOR	A12
BATTERY CHARGER DPI	D6
BATTERY CHARGER MAC	D5
BODY 1	B7-8
BODY 2	B9-10
BODY FITTING	B11
BRAKE 1	A8-9
BRAKE 2	A10
BRAKE 3	A11
BUMPER	B6
CARRIER	B12
CONTROLLER 1 GE	
~JU2-202130	C6
CONTROLLER 1 MORIC	
JU2-202131~	C7-8
ELECTRIC MOTOR ADC	
JU2-205701~	C3
ELECTRIC MOTOR GE -	
JU2-205700	C2
ELECTRIC MOTOR HITACHI	C4-5
ELECTRICAL 1	
JU2-205701~305999	C11-12
ELECTRICAL 1 JU2-306201~	
LE MODEL ADC MOTOR	D3-4
ELECTRICAL 1 JU2-306201~	
WITH HITACHI MOTOR	D1-2
ELECTRICAL 1 ~JU2-205700	C9-10
FRAME	A3
FRONT SUSPENSION WHEEL	A4-5
OPTIONAL ENERGY/HOUR	
GAUGES	D12
OPTIONAL HUB CAPS	E1
OPTIONAL LIGHT KIT	D9
OPTIONAL LIGHT KIT	
STREAMLINE JU2	D10-11
OPTIONAL SUN ROOF	D8
OPTIONAL WINDSHIELD	D7
REAR ARM SUSPENSION	A2
REAR AXLE MOUNT WHEEL	B5
SEAT	C1
STEERING	A6-7
TRANSAXLE JU2-200101~	B3-4
TRANSAXLE ~JU0-199900	B1-2
~MODELS IN THIS CATALOG	E2



D6

# OPTIONAL WINDSHIELD

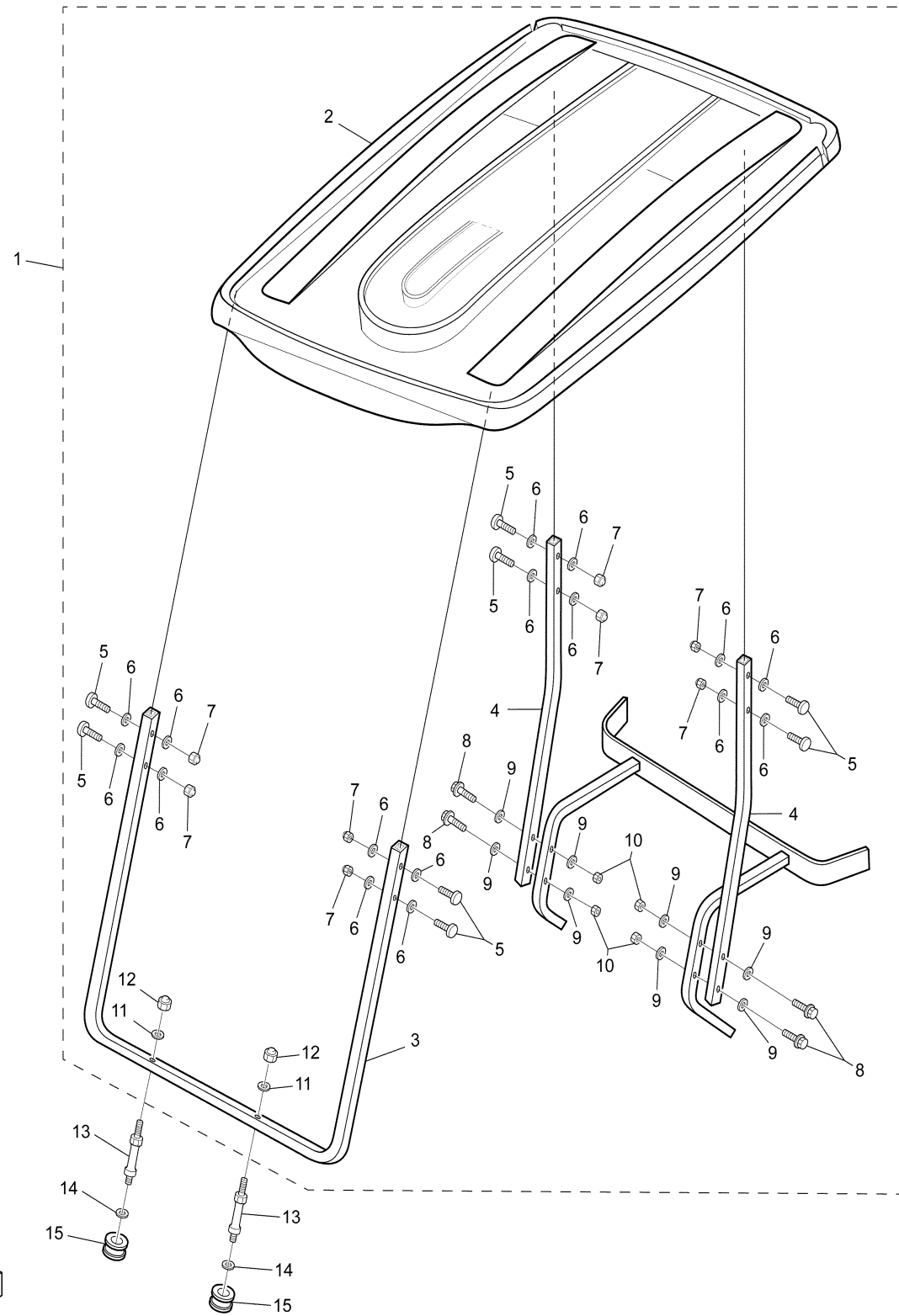


Ref. No.	Part Number	Description	Qty	Remarks
1	JU0-K7200-03-00	WINDSHIELD ASSY, SOLID (CLEAR)	1	UR, AP
	JU0-K7200-13-00	WINDSHIELD ASSY, SOLID (TINTED)	1	UR, AP
2	JU0-K838A-20-00	. RETAINER 1	2	
3	JU0-K838A-10-00	. RETAINER 1	2	
4	JU0-K7200-22-00	WINDSHIELD ASSY, HINGED (CLEAR)	1	UR, AP
	JU0-K7200-32-00	WINDSHIELD ASSY, HINGED (TINTED)	1	UR, AP
5	JU0-K838B-00-00	. RETAINER 2	3	
6	GCA-WSUPP-ER-KT	. UPPER, LATCH 2	2	
7	JU0-K7222-01-00	. BRACKET, WINDSHIELD (R.H)	2	
8	JN3-K7238-00-00	. DAMPER, WINDSHIELD	4	

## CONTENTS

ACCELERATOR	A12
BATTERY CHARGER DPI	D6
BATTERY CHARGER MAC	D5
BODY 1	B7-8
BODY 2	B9-10
BODY FITTING	B11
BRAKE 1	A8-9
BRAKE 2	A10
BRAKE 3	A11
BUMPER	B6
CARRIER	B12
CONTROLLER 1 GE	
~JU2-202130	C6
CONTROLLER 1 MORIC	
JU2-202131~	C7-8
ELECTRIC MOTOR ADC	
JU2-205701~	C3
ELECTRIC MOTOR GE -	
JU2-205700	C2
ELECTRIC MOTOR HITACHI	C4-5
ELECTRICAL 1	
JU2-205701~305999	C11-12
ELECTRICAL 1 JU2-306201~	
LE MODEL ADC MOTOR	D3-4
ELECTRICAL 1 JU2-306201~	
WITH HITACHI MOTOR	D1-2
ELECTRICAL 1 ~JU2-205700	C9-10
FRAME	A3
FRONT SUSPENSION WHEEL	A4-5
OPTIONAL ENERGY/HOUR	
GAUGES	D12
OPTIONAL HUB CAPS	E1
OPTIONAL LIGHT KIT	D9
OPTIONAL LIGHT KIT	
STREAMLINE JU2	D10-11
OPTIONAL SUN ROOF	D8
OPTIONAL WINDSHIELD	D7
REAR ARM SUSPENSION	A2
REAR AXLE MOUNT WHEEL	B5
SEAT	C1
STEERING	A6-7
TRANSAXLE JU2-200101~	B3-4
TRANSAXLE ~JU0-199900	B1-2
~MODELS IN THIS CATALOG	E2

# OPTIONAL SUN ROOF



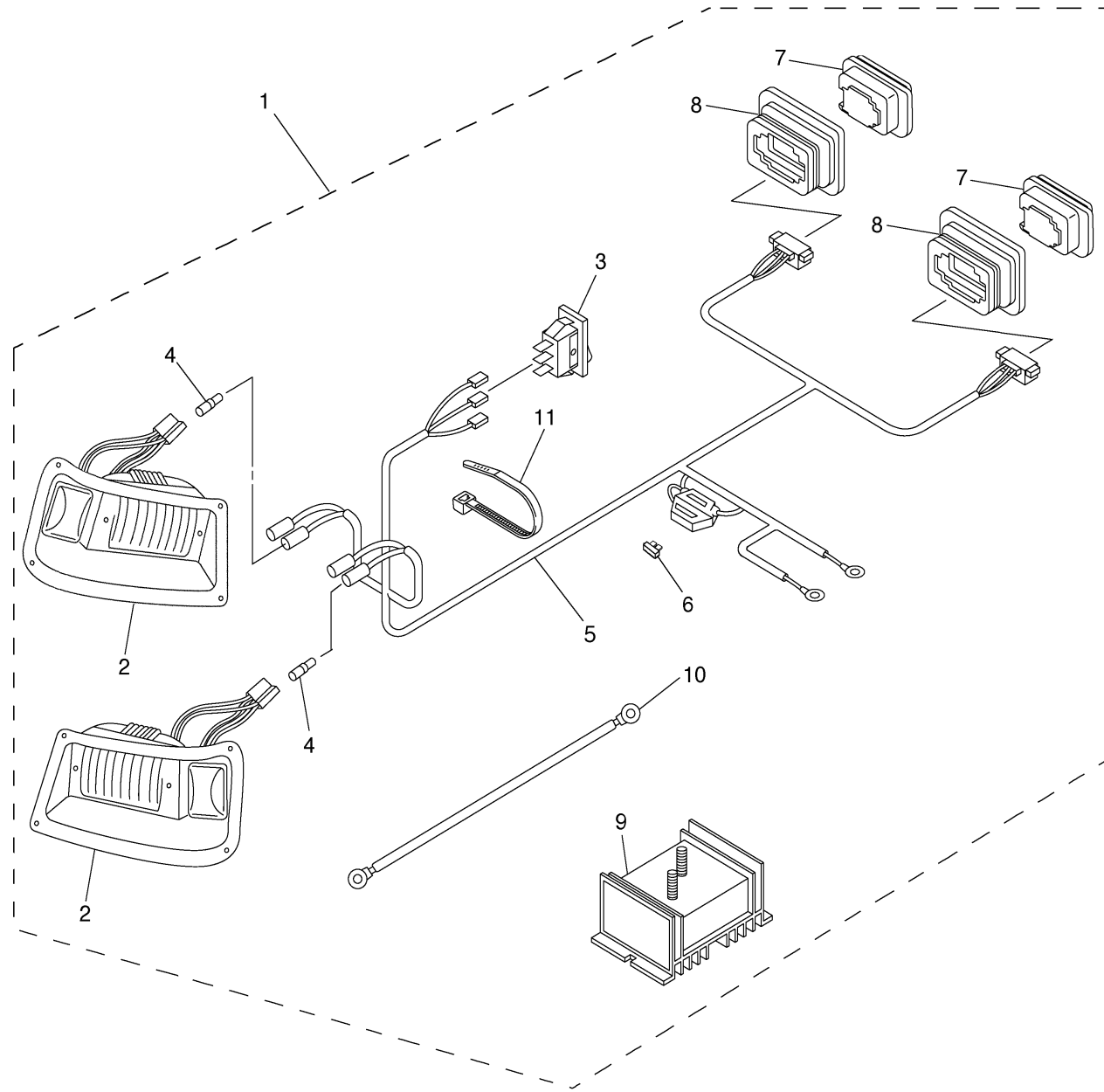
JU0100-5370

Ref. No.	Part Number	Description	Qty	Remarks
1	JU0-K8310-00-00	SUN ROOF ASSY .....	1	UR IVORY
	JU0-K8310-10-00	SUN ROOF ASSY .....	1	UR TAN
	JU0-K8310-20-00	SUN ROOF ASSY .....	1	FOR LE MODEL
2	JU0-K8314-00-00	. COVER, SUN ROOF .....	1	UR IVORY
	JU0-K8314-10-00	. COVER, SUN ROOF .....	1	UR TAN
3	JU0-K8312-01-00	. SUPPORT, SUN ROOF 1 ....	1	
	JU0-K8312-10-00	. SUPPORT, SUN ROOF 1 ....	1	FOR LE, BLACK
4	JU0-K8313-01-00	. SUPPORT, SUN ROOF 2 ....	2	
	JU0-K8313-10-00	. SUPPORT, SUN ROOF 2 ....	2	FOR LE, BLACK
5	JU0-K8388-00-00	. BOLT, ROOF 1 .....	8	
6	90201-088T2-00	. WASHER, PLATE .....	16	
7	JU0-K8398-00-00	. NUT, ROOF 1 .....	8	
8	90101-22864-00	. BOLT .....	4	
9	90201-088J3-00	. WASHER, PLATE .....	8	
10	90185-12835-00	. NUT, SELF-LOCKING .....	4	
11	90201-098J4-00	. WASHER, PLATE .....	2	
12	90176-08801-00	. NUT, CROWN .....	2	
13	JU0-K834A-00-00	. REINF., HOLDER .....	2	FOR SUN ROOF
14	JN3-K832F-00-00	. GROMMET, ROOF SUPPORT	2	FOR SUN ROOF
15	90201-11800-00	. WASHER, PLATE .....	2	FOR SUN ROOF

## CONTENTS

ACCELERATOR	A12
BATTERY CHARGER DPI	D6
BATTERY CHARGER MAC	D5
BODY 1	B7-8
BODY 2	B9-10
BODY FITTING	B11
BRAKE 1	A8-9
BRAKE 2	A10
BRAKE 3	A11
BUMPER	B6
CARRIER	B12
CONTROLLER 1 GE	
~JU2-202130	C6
CONTROLLER 1 MORIC	
JU2-202131~	C7-8
ELECTRIC MOTOR ADC	
JU2-205701~	C3
ELECTRIC MOTOR GE -	
JU2-205700	C2
ELECTRIC MOTOR HITACHI	C4-5
ELECTRICAL 1	
JU2-205701~305999	C11-12
ELECTRICAL 1 JU2-306201~	
LE MODEL ADC MOTOR	D3-4
ELECTRICAL 1 JU2-306201~	
WITH HITACHI MOTOR	D1-2
ELECTRICAL 1 ~JU2-205700	C9-10
FRAME	A3
FRONT SUSPENSION WHEEL	A4-5
OPTIONAL ENERGY/HOUR	
GAUGES	D12
OPTIONAL HUB CAPS	E1
OPTIONAL LIGHT KIT	D9
OPTIONAL LIGHT KIT	
STREAMLINE JU2	D10-11
OPTIONAL SUN ROOF	D8
OPTIONAL WINDSHIELD	D7
REAR ARM SUSPENSION	A2
REAR AXLE MOUNT WHEEL	B5
SEAT	C1
STEERING	A6-7
TRANSAXLE JU2-200101~	B3-4
TRANSAXLE ~JU0-199900	B1-2
~MODELS IN THIS CATALOG	E2

# OPTIONAL LIGHT KIT



Ref. No.	Part Number	Description	Qty	Remarks
1	JR1-H430A-20-00	HEADLIGHT UNIT ASSY	1	
2	JN3-H4303-20-00	. HEADLIGHT UNIT ASSY	1	SOLD AS R & L SET
3	JN3-H3976-20-00	. SWITCH, HANDLE 1	1	
4	9E212-10401-00	. TERMINAL	2	
5	JR1-H4159-00-00	. CORD, HEADLIGHT	1	
6	42X-82151-00-00	. . FUSE (10A-BL)	1	
7	JN3-H4700-00-00	. TAILLIGHT ASSY	2	
8	JN3-H4718-00-00	. GROMMET	2	
9	JR1-H1910-00-00	. VOLTAGE REGULATOR ASSY	1	
10	JR1-H4149-00-00	. WIRE, LEAD 2	1	
11	GCA-JU012-51-00	. CLAMP	20	

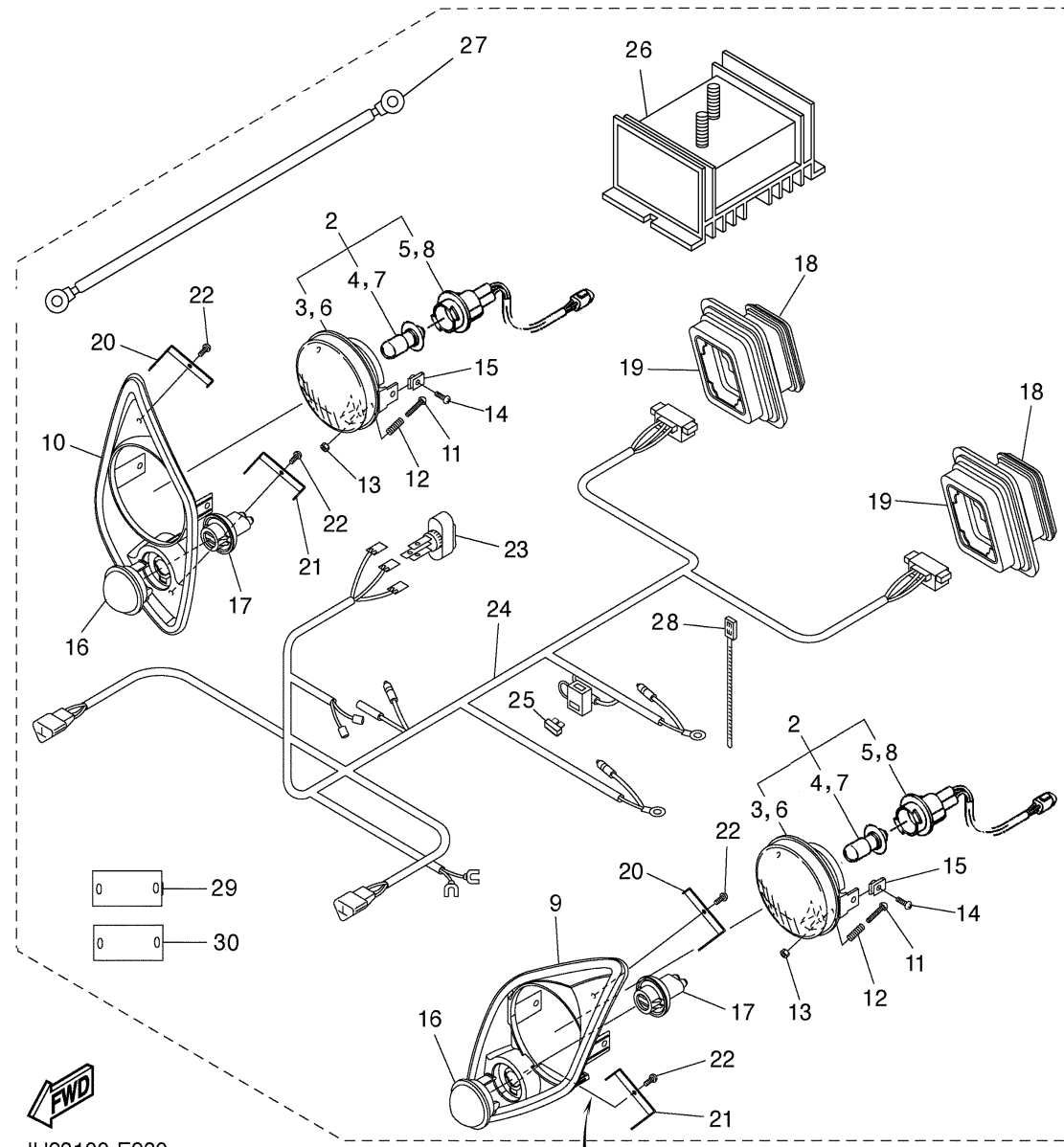
## CONTENTS

ACCELERATOR	A12
BATTERY CHARGER DPI	D6
BATTERY CHARGER MAC	D5
BODY 1	B7-8
BODY 2	B9-10
BODY FITTING	B11
BRAKE 1	A8-9
BRAKE 2	A10
BRAKE 3	A11
BUMPER	B6
CARRIER	B12
CONTROLLER 1 GE	
~JU2-202130	C6
CONTROLLER 1 MORIC	
JU2-202131~	C7-8
ELECTRIC MOTOR ADC	
JU2-205701~	C3
ELECTRIC MOTOR GE ~	
JU2-205700	C2
ELECTRIC MOTOR HITACHI	C4-5
ELECTRICAL 1	
JU2-205701~305999	C11-12
ELECTRICAL 1 JU2-306201~	
LE MODEL ADC MOTOR	D3-4
ELECTRICAL 1 JU2-306201~	
WITH HITACHI MOTOR	D1-2
ELECTRICAL 1 ~JU2-205700	C9-10
FRAME	A3
FRONT SUSPENSION WHEEL	A4-5
OPTIONAL ENERGY/HOUR	
GAUGES	D12
OPTIONAL HUB CAPS	E1
OPTIONAL LIGHT KIT	D9
OPTIONAL LIGHT KIT	
STREAMLINE JU2	D10-11
OPTIONAL SUN ROOF	D8
OPTIONAL WINDSHIELD	D7
REAR ARM SUSPENSION	A2
REAR AXLE MOUNT WHEEL	B5
SEAT	C1
STEERING	A6-7
TRANSAXLE JU2-200101~	B3-4
TRANSAXLE ~JU0-199900	B1-2
~MODELS IN THIS CATALOG	E2



JU23100-E230

# OPTIONAL LIGHT KIT STREAMLINE JU2



JU23100-E230

**NOTE A:** To order the correct service parts read the part number on the back of the Lens Assembly (5FU-H4320-00-00 or 5FU-H4320-10-00).

**NOTE B:** To determine which Holder (-00 or -02) you are working with, measure the Headlight Lens Adjusting Screw boss on the back of the Holder.

-00 = 35mm  
-02 = 25mm

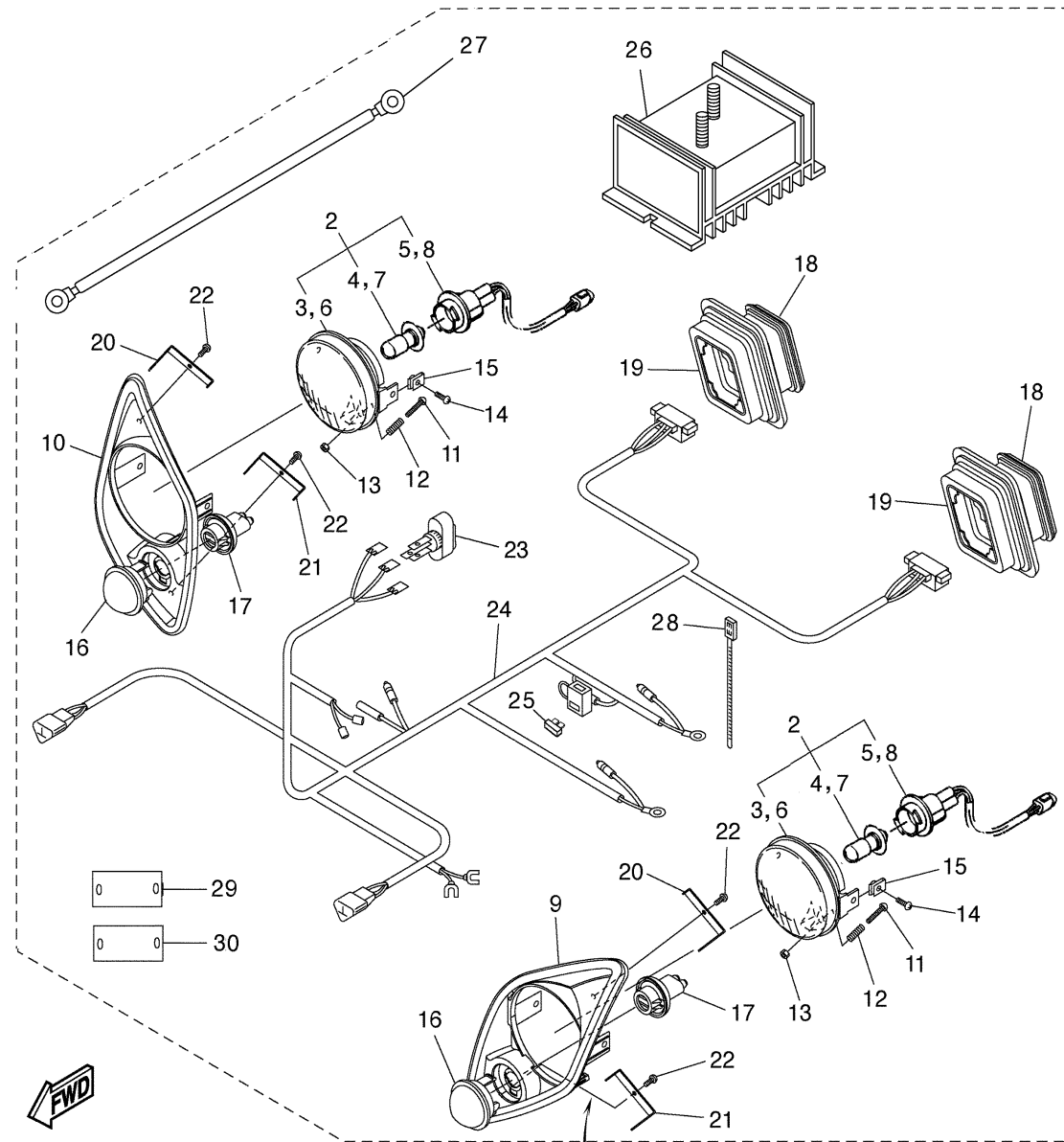
Ref. No.	Part Number	Description	Qty	Remarks
1	JU2-H430A-01-00	HEADLIGHT UNIT ASSY	1	
2	5FU-H4300-00-00	. HEADLIGHT ASSY	2	UR, SEE NOTE A
	5FU-H4300-10-00	. HEADLIGHT ASSY	2	UR, SEE NOTE A
3	5FU-H4320-00-00	. LENS ASSY	2	UR, USE WITH -00 ASSY
4	5FU-H4314-00-00	. BULB, HEADLIGHT (12V-30/30W)	2	UR, USE WITH -00 LENS
5	5FU-H4340-00-00	. SOCKET CORD ASSY 1	2	UR, FOR -00 BULB
6	5FU-H4320-10-00	. LENS ASSY	2	UR, USE WITH -10 ASSY
7	5FU-H4314-10-00	. BULB, HEADLIGHT (12V-30/30W)	2	UR, USE WITH -10 LENS
8	5FU-H4340-10-00	. SOCKET CORD ASSY 1	2	UR, FOR -10 BULB
9	JU7-H411T-00-00	. HOLDER, 1	1	USE WITH 15MM SPRING, SEE NOTE B
	JU7-H411T-02-00	. HOLDER, 1	1	USE WITH 34MM SPRING, SEE NOTE B
10	JU7-H411U-00-00	. HOLDER, 2	1	USE WITH 15MM SPRING, SEE NOTE B
	JU7-H411U-02-00	. HOLDER, 2	1	USE WITH 34MM SPRING, SEE NOTE B
11	98507-03540-00	. SCREW, PAN HEAD	2	
12	2GU-84332-00-00	. SPRING, SCREW	2	UR, GOLD L=34MM (FOR -02 HOLDER WITH 25MM BOSS)
	90501-10060-00	. SPRING, SCREW	2	UR, BLACK L=15MM (FOR -00 HOLDER WITH 35MM BOSS)
13	2GU-84334-00-00	. NUT, ADJUSTING	2	
14	90150-05802-00	. SCREW, ROUND HEAD	4	
15	90183-05008-00	. NUT, SPRING	4	
16	JU7-H5415-00-00	. MARK, SIGNAL LAMP	2	

## CONTENTS

ACCELERATOR	A12
BATTERY CHARGER DPI	D6
BATTERY CHARGER MAC	D5
BODY 1	B7-8
BODY 2	B9-10
BODY FITTING	B11
BRAKE 1	A8-9
BRAKE 2	A10
BRAKE 3	A11
BUMPER	B6
CARRIER	B12
CONTROLLER 1 GE ~JU2-202130	C6
CONTROLLER 1 MORIC JU2-202131~	C7-8
ELECTRIC MOTOR ADC JU2-205701~	C3
ELECTRIC MOTOR GE ~JU2-205700	C2
ELECTRIC MOTOR HITACHI ELECTRICAL 1 JU2-205701~305999	C4-5
ELECTRICAL 1 JU2-306201~LE MODEL ADC MOTOR	C11-12
ELECTRICAL 1 JU2-306201~WITH HITACHI MOTOR	D3-4
ELECTRICAL 1 ~JU2-205700	D1-2
FRAME	C9-10
FRONT SUSPENSION WHEEL	A3
OPTIONAL ENERGY/HOUR GAUGES	A4-5
OPTIONAL HUB CAPS	D12
OPTIONAL LIGHT KIT	E1
OPTIONAL LIGHT KIT STREAMLINE JU2	D9
OPTIONAL SUN ROOF	D10-11
OPTIONAL WINDSHIELD	D8
REAR ARM SUSPENSION	D7
REAR AXLE MOUNT WHEEL	A2
SEAT	B5
STEERING	C1
TRANSAXLE JU2-200101~	A6-7
TRANSAXLE ~JU0-199900	B3-4
~MODELS IN THIS CATALOG	B1-2
	E2

CONTINUED ON NEXT FRAME ►

# OPTIONAL LIGHT KIT STREAMLINE JU2



JU23100-E230

**NOTE A:** To order the correct service parts read the part number on the back of the Lens Assembly (5FU-H4320-00-00 or 5FU-H4320-10-00).

**NOTE B:** To determine which Holder (-00 or -02) you are working with, measure the Headlight Lens Adjusting Screw boss on the back of the Holder.

-00 = 35mm  
-02 = 25mm

Ref. No.	Part Number	Description	Qty	Remarks
17	JU7-H3547-00-00	. COVER, SOCKET .....	2	
18	JU5-H4700-00-00	. TAILLIGHT ASSY .....	2	
19	JU5-H4718-00-00	. GROMMET .....	2	
20	JU7-H4118-01-00	. STAY, HEADLIGHT 1 .....	2	
21	JU7-H4119-01-00	. STAY, HEADLIGHT 2 .....	2	
22	97707-40112-00	. SCREW, TAPPING .....	4	
23	JU0-H3976-00-00	. SWITCH, HANDLE 1 .....	1	
24	JU0-H4159-00-00	. CORD, HEADLIGHT .....	1	
25	42X-82151-00-00	. . FUSE (10A-BL) .....	1	
26	JR1-H1910-00-00	. VOLTAGE REGULATOR ASSY	1	
27	JR1-H4149-00-00	. WIRE, LEAD 2 .....	1	
28	GCA-JU012-51-00	. CLAMP .....	20	
29	GCA-JU012-41-00	. REFLECTOR, AMBER .....	2	
30	GCA-JU012-42-00	. REFLECTOR, RED .....	2	

## CONTENTS

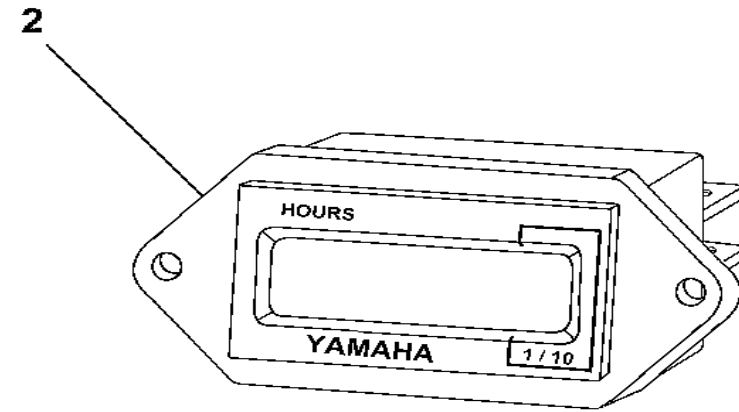
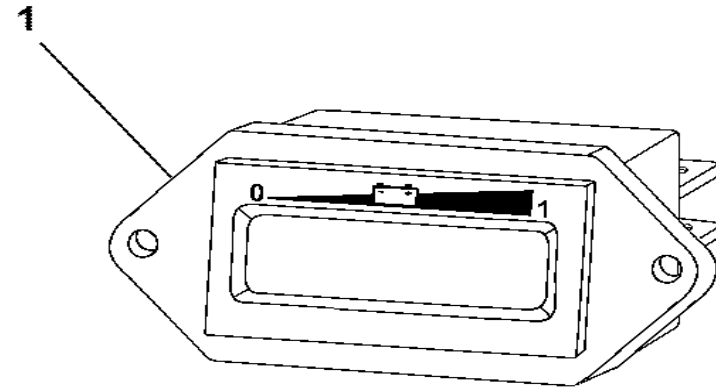
ACCELERATOR	A12
BATTERY CHARGER DPI	D6
BATTERY CHARGER MAC	D5
BODY 1	B7-8
BODY 2	B9-10
BODY FITTING	B11
BRAKE 1	A8-9
BRAKE 2	A10
BRAKE 3	A11
BUMPER	B6
CARRIER	B12
CONTROLLER 1 GE ~JU2-202130	C6
CONTROLLER 1 MORIC JU2-202131~	C7-8
ELECTRIC MOTOR ADC JU2-205701~	C3
ELECTRIC MOTOR GE ~ JU2-205700	C2
ELECTRIC MOTOR HITACHI ELECTRICAL 1 JU2-205701~305999	C4-5
ELECTRICAL 1 JU2-306201~ LE MODEL ADC MOTOR	C11-12
ELECTRICAL 1 JU2-306201~ WITH HITACHI MOTOR	D3-4
ELECTRICAL 1 ~JU2-205700	D1-2
FRAME	C9-10
FRONT SUSPENSION WHEEL	A4-5
OPTIONAL ENERGY/HOUR GAUGES	D12
OPTIONAL HUB CAPS	E1
OPTIONAL LIGHT KIT	D9
OPTIONAL LIGHT KIT STREAMLINE JU2	D10-11
OPTIONAL SUN ROOF	D8
OPTIONAL WINDSHIELD	D7
REAR ARM SUSPENSION	A2
REAR AXLE MOUNT WHEEL	B5
SEAT	C1
STEERING	A6-7
TRANSAXLE JU2-200101~	B3-4
TRANSAXLE ~JU0-199900	B1-2
~MODELS IN THIS CATALOG	E2

# OPTIONAL ENERGY/HOUR GAUGES

Ref. No.	Part Number	Description	Qty	Remarks
1	JR1-H351C-10-00	BATTERY ENERGY METER ...	1	INCL. MOUNTING SCREWS AND TERMINAL CONNECTORS
2	JN6-H351C-00-00	HOUR METER .....	1	INCL. MOUNTING SCREWS AND TERMINAL CONNECTORS

## CONTENTS

ACCELERATOR	A12
BATTERY CHARGER DPI	D6
BATTERY CHARGER MAC	D5
BODY 1	B7-8
BODY 2	B9-10
BODY FITTING	B11
BRAKE 1	A8-9
BRAKE 2	A10
BRAKE 3	A11
BUMPER	B6
CARRIER	B12
CONTROLLER 1 GE ~JU2-202130	C6
CONTROLLER 1 MORIC JU2-202131~	C7-8
ELECTRIC MOTOR ADC JU2-205701~	C3
ELECTRIC MOTOR GE ~JU2-205700	C2
ELECTRIC MOTOR HITACHI	C4-5
ELECTRICAL 1 JU2-205701~305999	C11-12
ELECTRICAL 1 JU2-306201~LE MODEL ADC MOTOR	D3-4
ELECTRICAL 1 JU2-306201~WITH HITACHI MOTOR	D1-2
ELECTRICAL 1 ~JU2-205700	C9-10
FRAME	A3
FRONT SUSPENSION WHEEL	A4-5
OPTIONAL ENERGY/HOUR GAUGES	D12
OPTIONAL HUB CAPS	E1
OPTIONAL LIGHT KIT	D9
OPTIONAL LIGHT KIT STREAMLINE JU2	D10-11
OPTIONAL SUN ROOF	D8
OPTIONAL WINDSHIELD	D7
REAR ARM SUSPENSION	A2
REAR AXLE MOUNT WHEEL	B5
SEAT	C1
STEERING	A6-7
TRANSAXLE JU2-200101~	B3-4
TRANSAXLE ~JU0-199900	B1-2
~MODELS IN THIS CATALOG	E2

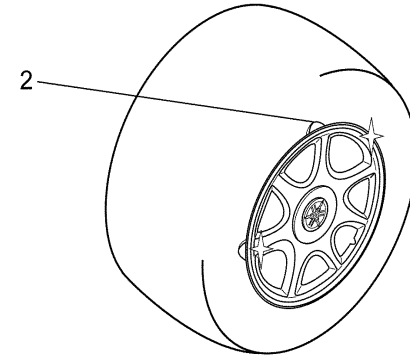
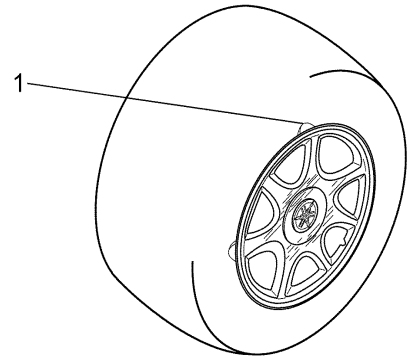


JN8100-1010



# OPTIONAL HUB CAPS

Ref. No.	Part Number	Description	Qty	Remarks
1	JN6-F512M-C0-00	HUB-CAP, CHROME .....	4	COMES WITH CLIPS
2	JN6-F512M-SM-00	HUB-CAP, BRUSHED ALUMINUM .....	4	COMES WITH CLIPS
3	JG5-F512N-00-00	. CLIP, HUB-CAP .....	3	NOT SHOWN



3—Not shown

## CONTENTS

ACCELERATOR	A12
BATTERY CHARGER DPI	D6
BATTERY CHARGER MAC	D5
BODY 1	B7-8
BODY 2	B9-10
BODY FITTING	B11
BRAKE 1	A8-9
BRAKE 2	A10
BRAKE 3	A11
BUMPER	B6
CARRIER	B12
CONTROLLER 1 GE	
~JU2-202130	C6
CONTROLLER 1 MORIC	
JU2-202131~	C7-8
ELECTRIC MOTOR ADC	
JU2-205701~	C3
ELECTRIC MOTOR GE ~	
JU2-205700	C2
ELECTRIC MOTOR HITACHI	C4-5
ELECTRICAL 1	
JU2-205701~305999	C11-12
ELECTRICAL 1 JU2-306201~	
LE MODEL ADC MOTOR	D3-4
ELECTRICAL 1 JU2-306201~	
WITH HITACHI MOTOR	D1-2
ELECTRICAL 1 ~JU2-205700	C9-10
FRAME	A3
FRONT SUSPENSION WHEEL	A4-5
OPTIONAL ENERGY/HOUR	
GAUGES	D12
OPTIONAL HUB CAPS	E1
OPTIONAL LIGHT KIT	D9
OPTIONAL LIGHT KIT	
STREAMLINE JU2	D10-11
OPTIONAL SUN ROOF	D8
OPTIONAL WINDSHIELD	D7
REAR ARM SUSPENSION	A2
REAR AXLE MOUNT WHEEL	B5
SEAT	C1
STEERING	A6-7
TRANSAXLE JU2-200101~	B3-4
TRANSAXLE ~JU0-199900	B1-2
~MODELS IN THIS CATALOG	E2



JU0100-5340

## ~MODELS IN THIS CATALOG

### 2003 G22EY (JU21)

STARTING FRAME (G22EY): JU2-000101 and following

### 2004 G22EZ (JU21)

STARTING FRAME (G22EZ): JU2-100101 and following

### 2005 G22EA (JU22)

STARTING FRAME (G22EA): JU2-200101 and following

### 2005 G22EB (JU22)

STARTING FRAME (G22EB): JU2-205701 and following

### 2006 G22EC (JU22)

STARTING FRAME (G22EC): JU2-300101 and following

### 2006 G22ED (JU23)

STARTING FRAME (G22ED): JU2-306201 and following

ALL THESE MODELS USE THIS SAME PARTS CATALOG.  
BE SURE TO ORDER ONLY THOSE PARTS APPLICABLE  
TO THE DESIRED MODEL.

Ref. No.	Part Number	Description	Qty	Remarks
----------	-------------	-------------	-----	---------

### CONTENTS

ACCELERATOR	A12
BATTERY CHARGER DPI	D6
BATTERY CHARGER MAC	D5
BODY 1	B7-8
BODY 2	B9-10
BODY FITTING	B11
BRAKE 1	A8-9
BRAKE 2	A10
BRAKE 3	A11
BUMPER	B6
CARRIER	B12
CONTROLLER 1 GE ~JU2-202130	C6
CONTROLLER 1 MORIC JU2-202131~	C7-8
ELECTRIC MOTOR ADC JU2-205701~	C3
ELECTRIC MOTOR GE ~ JU2-205700	C2
ELECTRIC MOTOR HITACHI	C4-5
ELECTRICAL 1 JU2-205701~305999	C11-12
ELECTRICAL 1 JU2-306201~ LE MODEL ADC MOTOR	D3-4
ELECTRICAL 1 JU2-306201~ WITH HITACHI MOTOR	D1-2
ELECTRICAL 1 ~JU2-205700	C9-10
FRAME	A3
FRONT SUSPENSION WHEEL	A4-5
OPTIONAL ENERGY/HOUR GAUGES	D12
OPTIONAL HUB CAPS	E1
OPTIONAL LIGHT KIT	D9
OPTIONAL LIGHT KIT STREAMLINE JU2	D10-11
OPTIONAL SUN ROOF	D8
OPTIONAL WINDSHIELD	D7
REAR ARM SUSPENSION	A2
REAR AXLE MOUNT WHEEL	B5
SEAT	C1
STEERING	A6-7
TRANSAXLE JU2-200101~	B3-4
TRANSAXLE ~JU0-199900	B1-2
~MODELS IN THIS CATALOG	E2