

PARTS CATALOGUE

GOLF CAR

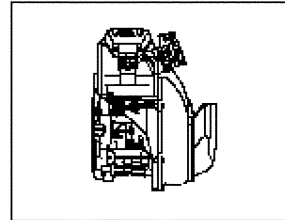
2004 G27AZ (JU71)

2005 G27AZ (JU71)

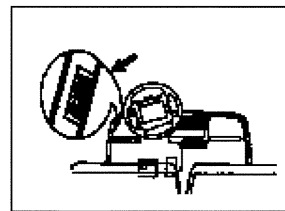
2006 G27AC (JU71)

Applicable Serial No.

Engine Serial No.



Frame Serial No.



STARTING SERIAL NO. (G27AZ): JU7-000101 and following
STARTING SERIAL NO. (G27AB): JU7-000101 and following
STARTING SERIAL NO. (G27AC): JU7-300101 and following

OWNERS LIT-19626-01-08
ASSEMBLY LIT-11666-01-08
SERVICE LIT-11616-01-08

CONTENTS

ACCELERATOR	C2
AIR SHROUD FAN	A8
BODY 1	C12 ,D1
BODY 2	D2
BODY FITTING	D3
BRAKE 1	B10-11
BRAKE 2	B12
BRAKE 3	C1
BUMPER	C11
CAMSHAFT VALVE	A7
CARBURETOR	A10
CARRIER	D4
CRANKCASE	A12
CRANKSHAFT PISTON	A6
CYLINDER HEAD	A5
ELECTRICAL 1 JU7-300101~	D10
ELECTRICAL 1 ~JU7-300100	D9
ELECTRICAL 2	D11-12
ENGINE ASSEMBLY	A4
ENGINE BRACKET	B1
EXHAUST	A11
FRAME	B3
FRONT SUSPENSION WHEEL	B4-5
FUEL TANK JU7-300301~	B9
FUEL TANK ~JU7-300300	B8
GOVERNOR	C3
HEADLIGHT	D8
INTAKE	A9
PRIMARY SHEAVE	C4
REAR ARM SUSPENSION	B2
REAR AXLE MOUNT WHEEL	C9
SEAT	D5
SECONDARY SHEAVE	C5
SHIFTER CABLES	C10
STARTING MOTOR	D6-7
STEERING	B6-7
TRANSMISSION 1	C6-8
~MODELS IN THIS CATALOG	E1

FOREWORD

This Parts Catalogue is related to the parts for the model(s) on the cover page. When you are ordering replacement parts, please refer to this Parts Catalogue and quote both part numbers and part names correctly.

1. Modifications or additions which have been made after the issue of the Parts Catalogue will be announced in the Parts News.
It is advisable that you make the necessary corrections to the Parts Catalogue according to the Parts News.
2. Abbreviations
The following abbreviations are used in this Parts Catalogue.
 - "UR" Use specified parts number.
 - "UN" Use as many as needed.
 - "AP" Alternate Parts
 - "LM" Locally Made (Parts need to be ordered locally)
 - "F#" Frame No. (Applicable machine No.)
 - "O/S" Over Size
3. The number of components for assembly
 - Parts, which are to be supplied in an assembly, are listed with a dot (.) in front of the part name as shown below.
 - The numeral appearing to the right of each component part indicates the quantity of parts for each assembly unit.

PART NO.	DESCRIPTION	Q'TY	REMARKS
2F5-83310-60	FRONT FLASHER LIGHT ASSY	2	
115-83311-60	.BULB (6V-18W)	1	

4. Applicable colours of graphics are represented in the "REMARKS" as shown below.

PART NO.	DESCRIPTION	Q'TY	REMARKS
2N4-24110-00-X5	FUEL TANK COMP.	2	MXR
3J1-24240-10	.GRAPHIC, FUEL TANK	1	FOR MXR

5. Note that the illustrations for reference in finding parts numbers are not to be used for assembling. When assembling, please use the applicable service manual.

6. The asterisk (*) before a reference number indicates modified items after the first edition.

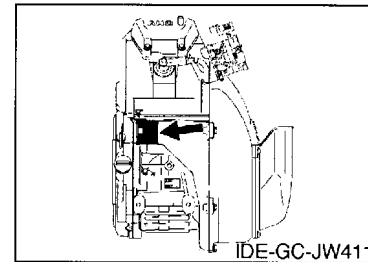
CONTENTS

ACCELERATOR	C2
AIR SHROUD FAN	A8
BODY 1	C12 ,D1
BODY 2	D2
BODY FITTING	D3
BRAKE 1	B10-11
BRAKE 2	B12
BRAKE 3	C1
BUMPER	C11
CAMSHAFT VALVE	A7
CARBURETOR	A10
CARRIER	D4
CRANKCASE	A12
CRANKSHAFT PISTON	A6
CYLINDER HEAD	A5
ELECTRICAL 1 JU7-300101~	D10
ELECTRICAL 1 ~JU7-300100	D9
ELECTRICAL 2	D11-12
ENGINE ASSEMBLY	A4
ENGINE BRACKET	B1
EXHAUST	A11
FRAME	B3
FRONT SUSPENSION WHEEL	B4-5
FUEL TANK JU7-300301~	B9
FUEL TANK ~JU7-300300	B8
GOVERNOR	C3
HEADLIGHT	D8
INTAKE	A9
PRIMARY SHEAVE	C4
REAR ARM SUSPENSION	B2
REAR AXLE MOUNT WHEEL	C9
SEAT	D5
SECONDARY SHEAVE	C5
SHIFTER CABLES	C10
STARTING MOTOR	D6-7
STEERING	B6-7
TRANSMISSION 1	C6-8
-MODELS IN THIS CATALOG	E1

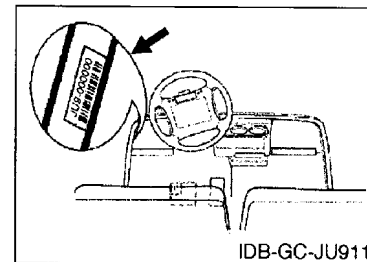
FOREWORD

7. Applicable Serial No.

Engine Serial No.



Frame Serial No.



8. Applicable Colour Code (The (*) mark shows Model colour.)

Abbreviation	Colour Name	Colour Code

9. Quantity Column Information

Column No.	Name Of Q'ty Column	Destination
1	JU71	U.S.A

10. Applicable Starting Serial No.

Frame Serial No.

Serial No.	Name Of Q'ty Column	Model Code
JU7-000101	JU71	JU71

CONTENTS

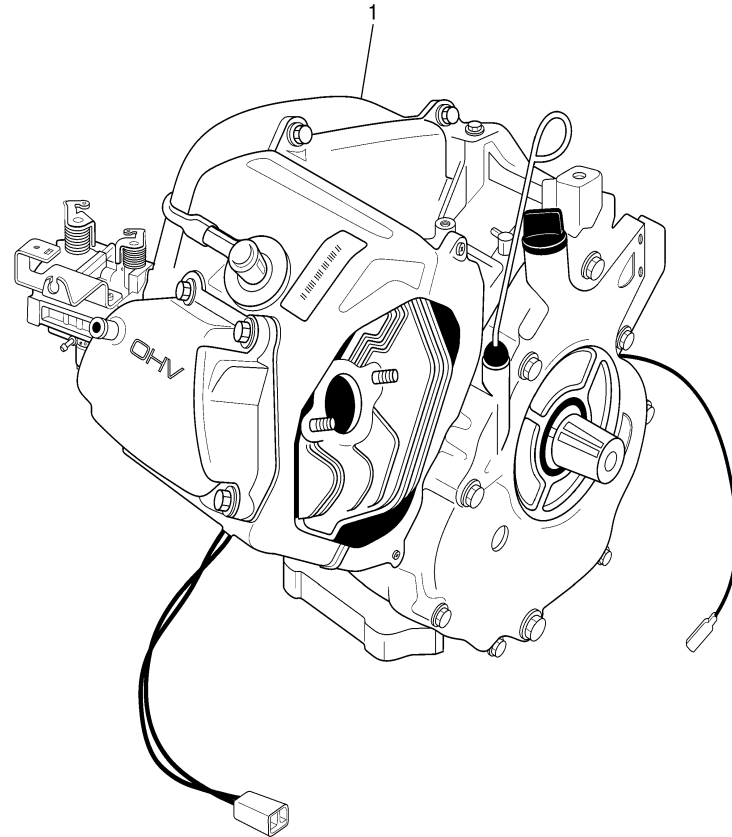
ACCELERATOR	C2
AIR SHROUD FAN	A8
BODY 1	C12 ,D1
BODY 2	D2
BODY FITTING	D3
BRAKE 1	B10-11
BRAKE 2	B12
BRAKE 3	C1
BUMPER	C11
CAMSHAFT VALVE	A7
CARBURETOR	A10
CARRIER	D4
CRANKCASE	A12
CRANKSHAFT PISTON	A6
CYLINDER HEAD	A5
ELECTRICAL 1 JU7-300101~	D10
ELECTRICAL 1 ~JU7-300100	D9
ELECTRICAL 2	D11-12
ENGINE ASSEMBLY	A4
ENGINE BRACKET	B1
EXHAUST	A11
FRAME	B3
FRONT SUSPENSION WHEEL	B4-5
FUEL TANK JU7-300301~	B9
FUEL TANK ~JU7-300300	B8
GOVERNOR	C3
HEADLIGHT	D8
INTAKE	A9
PRIMARY SHEAVE	C4
REAR ARM SUSPENSION	B2
REAR AXLE MOUNT WHEEL	C9
SEAT	D5
SECONDARY SHEAVE	C5
SHIFTER CABLES	C10
STARTING MOTOR	D6-7
STEERING	B6-7
TRANSMISSION 1	C6-8
~MODELS IN THIS CATALOG	E1

ENGINE ASSEMBLY

Ref. No.	Part Number	Description	Qty	Remarks
1	JR6-19001-00-00	ENGINE ASSEMBLY	1	

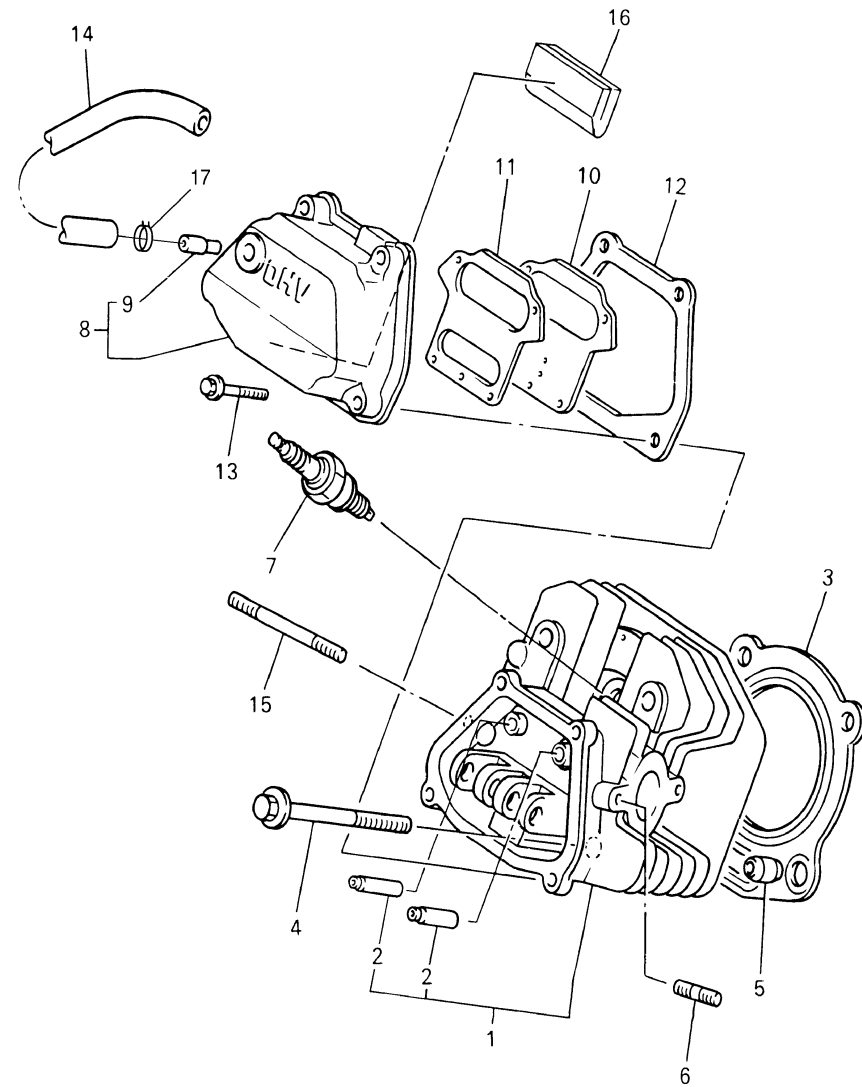
CONTENTS

ACCELERATOR	C2
AIR SHROUD FAN	A8
BODY 1	C12 ,D1
BODY 2	D2
BODY FITTING	D3
BRAKE 1	B10-11
BRAKE 2	B12
BRAKE 3	C1
BUMPER	C11
CAMSHAFT VALVE	A7
CARBURETOR	A10
CARRIER	D4
CRANKCASE	A12
CRANKSHAFT PISTON	A6
CYLINDER HEAD	A5
ELECTRICAL 1 JU7-300101~	D10
ELECTRICAL 1 ~JU7-300100	D9
ELECTRICAL 2	D11-12
ENGINE ASSEMBLY	A4
ENGINE BRACKET	B1
EXHAUST	A11
FRAME	B3
FRONT SUSPENSION WHEEL	B4-5
FUEL TANK JU7-300301~	B9
FUEL TANK ~JU7-300300	B8
GOVERNOR	C3
HEADLIGHT	D8
INTAKE	A9
PRIMARY SHEAVE	C4
REAR ARM SUSPENSION	B2
REAR AXLE MOUNT WHEEL	C9
SEAT	D5
SECONDARY SHEAVE	C5
SHIFTER CABLES	C10
STARTING MOTOR	D6-7
STEERING	B6-7
TRANSMISSION 1	C6-8
~MODELS IN THIS CATALOG	E1



JW41110-C010

CYLINDER HEAD



Ref. No.	Part Number	Description	Qty	Remarks
1	JT0-11111-00-00	HEAD, CYLINDER 1	1	
2	JN6-11133-10-00	. GUIDE, VALVE 1	2	
3	JT0-11181-00-00	GASKET, CYLINDER HEAD 1	1	
4	95817-10070-00	BOLT, FLANGE	4	
5	99530-14016-00	PIN, DOWEL	2	
6	95627-08618-00	BOLT, STUD	2	
7	94702-00343-00	PLUG, SPARK	1	AP
	94702-00348-00	PLUG, SPARK	1	STD
8	JN6-11191-01-00	COVER, CYLINDER	1	
9	JN6-11116-00-00	. JOINT, BREATHER	1	
10	JN6-11168-00-00	COVER, BREATHER	1	
11	JN6-11169-00-00	GASKET, BREATHER	1	
12	JN6-11193-00-00	GASKET, HEAD COVER	1	
13	95827-06030-00	BOLT, FLANGE	4	
14	JN6-E1166-00-00	PIPE, BREATHER	1	
15	95607-08710-00	BOLT, STUD	2	
16	JR7-11163-00-00	ELEMENT	1	
17	90467-13847-00	CLAMP	2	

CONTENTS

ACCELERATOR	C2
AIR SHROUD FAN	A8
BODY 1	C12 ,D1
BODY 2	D2
BODY FITTING	D3
BRAKE 1	B10-11
BRAKE 2	B12
BRAKE 3	C1
BUMPER	C11
CAMSHAFT VALVE	A7
CARBURETOR	A10
CARRIER	D4
CRANKCASE	A12
CRANKSHAFT PISTON	A6
CYLINDER HEAD	A5
ELECTRICAL 1 JU7-300101~	D10
ELECTRICAL 1 ~JU7-300100	D9
ELECTRICAL 2	D11-12
ENGINE ASSEMBLY	A4
ENGINE BRACKET	B1
EXHAUST	A11
FRAME	B3
FRONT SUSPENSION WHEEL	B4-5
FUEL TANK JU7-300301~	B9
FUEL TANK ~JU7-300300	B8
GOVERNOR	C3
HEADLIGHT	D8
INTAKE	A9
PRIMARY SHEAVE	C4
REAR ARM SUSPENSION	B2
REAR AXLE MOUNT WHEEL	C9
SEAT	D5
SECONDARY SHEAVE	C5
SHIFTER CABLES	C10
STARTING MOTOR	D6-7
STEERING	B6-7
TRANSMISSION 1	C6-8
~MODELS IN THIS CATALOG	E1



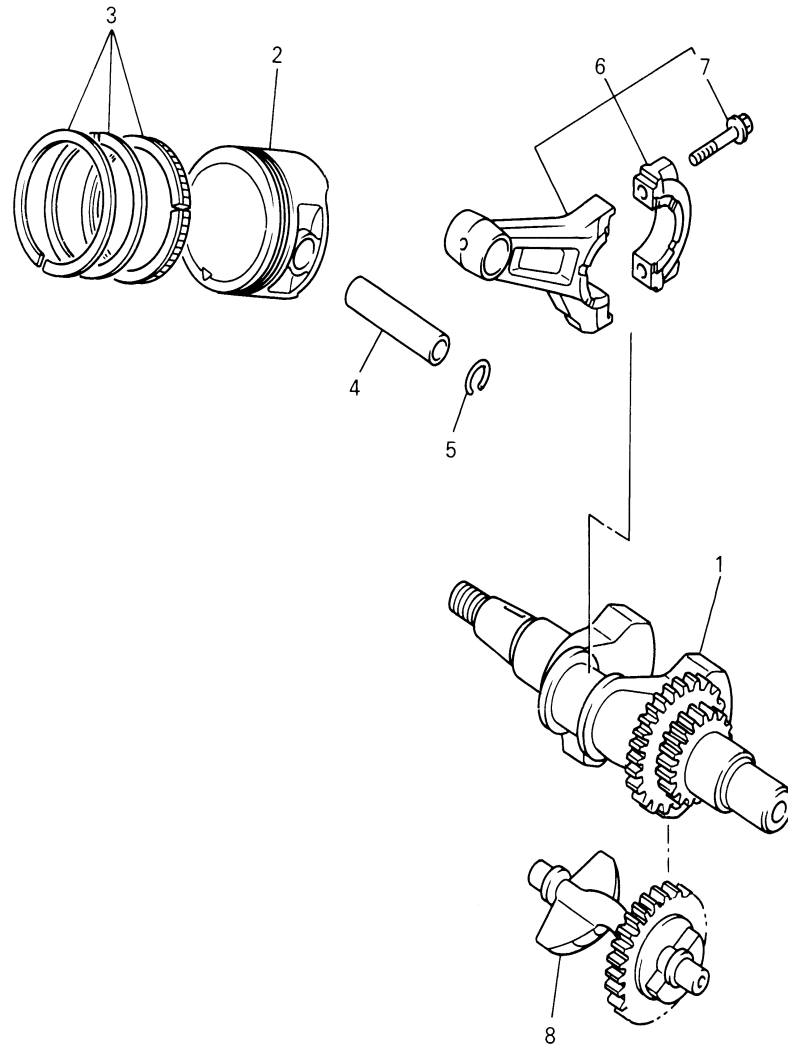
JT01010-0011

CRANKSHAFT PISTON

Ref. No.	Part Number	Description	Qty	Remarks
1	JN6-11400-00-00	CRANKSHAFT ASSY	1	
2	JR7-11631-00-A0	PISTON (STD)	1	
	JR7-11635-00-00	PISTON (0.25MM O/S)	1	AP
	JR7-11636-00-00	PISTON (0.50MM O/S)	1	AP
3	JR7-11610-00-00	PISTON RING SET (STD)	1	
	JR7-11610-10-00	PISTON RING SET (0.25MM O/S)	1	AP
	JR7-11610-20-00	PISTON RING SET (0.50MM O/S)	1	AP
4	583-11633-00-00	PIN, PISTON	1	
5	93450-21053-00	CIRCLIP	2	
6	JN6-11650-00-00	CONNECTING ROD ASSY	1	
7	JN6-11654-00-00	. BOLT, CONNECTING ROD ..	2	
8	JN6-11454-00-00	WEIGHT 1	1	

CONTENTS

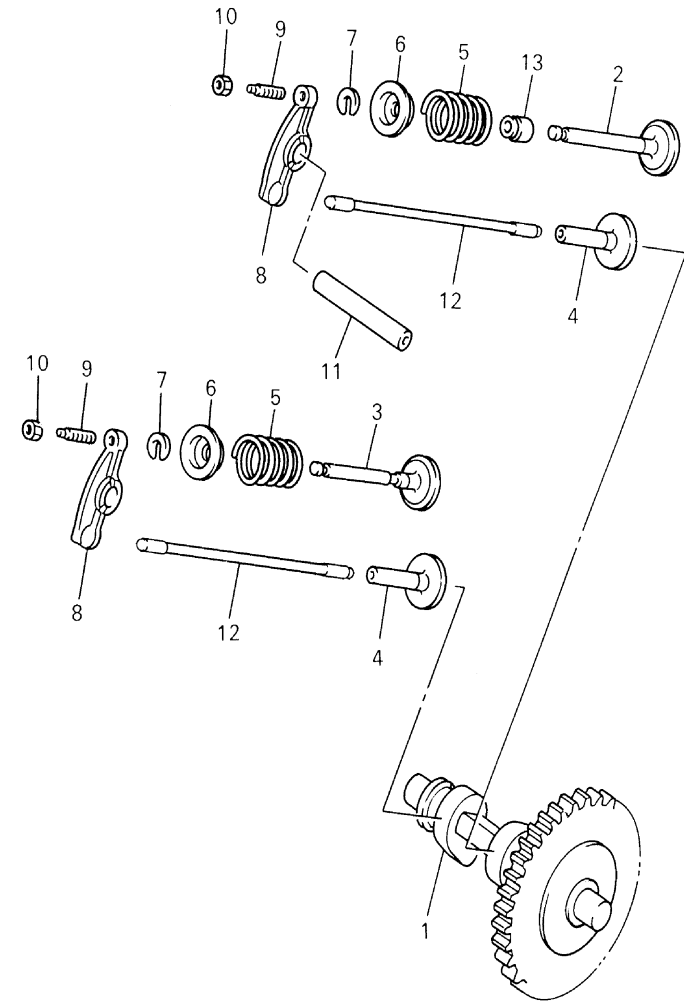
ACCELERATOR	C2
AIR SHROUD FAN	A8
BODY 1	C12 ,D1
BODY 2	D2
BODY FITTING	D3
BRAKE 1	B10-11
BRAKE 2	B12
BRAKE 3	C1
BUMPER	C11
CAMSHAFT VALVE	A7
CARBURETOR	A10
CARRIER	D4
CRANKCASE	A12
CRANKSHAFT PISTON	A6
CYLINDER HEAD	A5
ELECTRICAL 1 JU7-300101~	D10
ELECTRICAL 1 ~JU7-300100	D9
ELECTRICAL 2	D11-12
ENGINE ASSEMBLY	A4
ENGINE BRACKET	B1
EXHAUST	A11
FRAME	B3
FRONT SUSPENSION WHEEL	B4-5
FUEL TANK JU7-300301~	B9
FUEL TANK ~JU7-300300	B8
GOVERNOR	C3
HEADLIGHT	D8
INTAKE	A9
PRIMARY SHEAVE	C4
REAR ARM SUSPENSION	B2
REAR AXLE MOUNT WHEEL	C9
SEAT	D5
SECONDARY SHEAVE	C5
SHIFTER CABLES	C10
STARTING MOTOR	D6-7
STEERING	B6-7
TRANSMISSION 1	C6-8
~MODELS IN THIS CATALOG	E1



JN7010-6020

CAMSHAFT VALVE

Ref. No.	Part Number	Description	Qty	Remarks
1	JR7-12170-00-00	CAMSHAFT ASSY 1	1	
2	JN6-12111-01-00	VALVE, INTAKE	1	
3	7RH-12121-00-00	VALVE, EXHAUST	1	
4	JN6-12153-00-00	LIFTER, VALVE	2	
5	90501-264A9-00	SPRING, COMPRESSION	2	
6	J38-12117-01-00	RETAINER, VALVE SPRING ..	2	
7	J38-12118-00-00	COTTER, VALVE	2	
8	JN6-12151-00-00	ARM, VALVE ROCKER	2	
9	22F-12159-00-00	SCREW, VALVE	2	
10	90170-05302-00	NUT, HEX	2	
11	J38-12156-00-00	SHAFT, ROCKER 2	1	
12	JR7-12154-01-00	ROD, VALVE PUSH	2	
13	4G0-12119-00-00	SEAL, VALVE STEM	1	



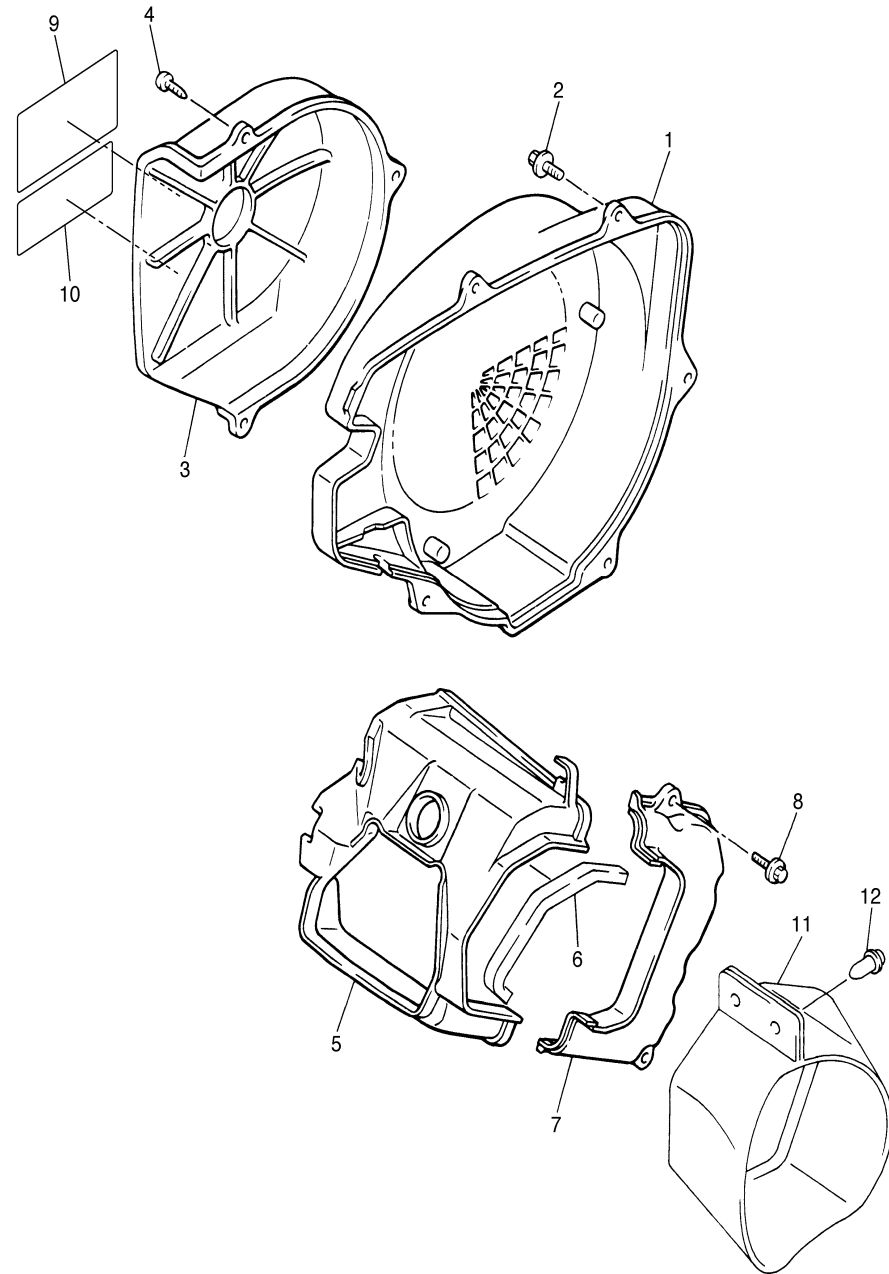
CONTENTS

ACCELERATOR	C2
AIR SHROUD FAN	A8
BODY 1	C12 ,D1
BODY 2	D2
BODY FITTING	D3
BRAKE 1	B10-11
BRAKE 2	B12
BRAKE 3	C1
BUMPER	C11
CAMSHAFT VALVE	A7
CARBURETOR	A10
CARRIER	D4
CRANKCASE	A12
CRANKSHAFT PISTON	A6
CYLINDER HEAD	A5
ELECTRICAL 1 JU7-300101~	D10
ELECTRICAL 1 ~JU7-300100	D9
ELECTRICAL 2	D11-12
ENGINE ASSEMBLY	A4
ENGINE BRACKET	B1
EXHAUST	A11
FRAME	B3
FRONT SUSPENSION WHEEL	B4-5
FUEL TANK JU7-300301~	B9
FUEL TANK ~JU7-300300	B8
GOVERNOR	C3
HEADLIGHT	D8
INTAKE	A9
PRIMARY SHEAVE	C4
REAR ARM SUSPENSION	B2
REAR AXLE MOUNT WHEEL	C9
SEAT	D5
SECONDARY SHEAVE	C5
SHIFTER CABLES	C10
STARTING MOTOR	D6-7
STEERING	B6-7
TRANSMISSION 1	C6-8
~MODELS IN THIS CATALOG	E1



JT01010-0030

AIR SHROUD FAN



Ref. No.	Part Number	Description	Qty	Remarks
1	JN6-12621-00-00	CASE, FAN 1	1	
2	95807-06020-00	BOLT, FLANGE	5	
3	JN6-12616-00-00	COVER, FAN CASE	1	
4	97707-60520-00	SCREW, TAPPING	3	
5	JN6-12651-00-00	AIR SHROUD, CYLINDER 1 ...	1	
6	JR7-12658-00-00	DAMPER, AIR SHROUD 1	1	
7	JN6-12652-00-00	AIR SHROUD, CYLINDER 2 ...	1	
8	95807-06020-00	BOLT, FLANGE	2	
9	JR6-2179R-01-00	PLATE, EPA 2 (CALIFORNIA) .	1	UR CA
10	7UH-2111F-00-00	LABEL, EMISSION	1	
11	JN6-E2691-00-00	DUCT, 1	1	
12	90269-08813-00	RIVET	2	

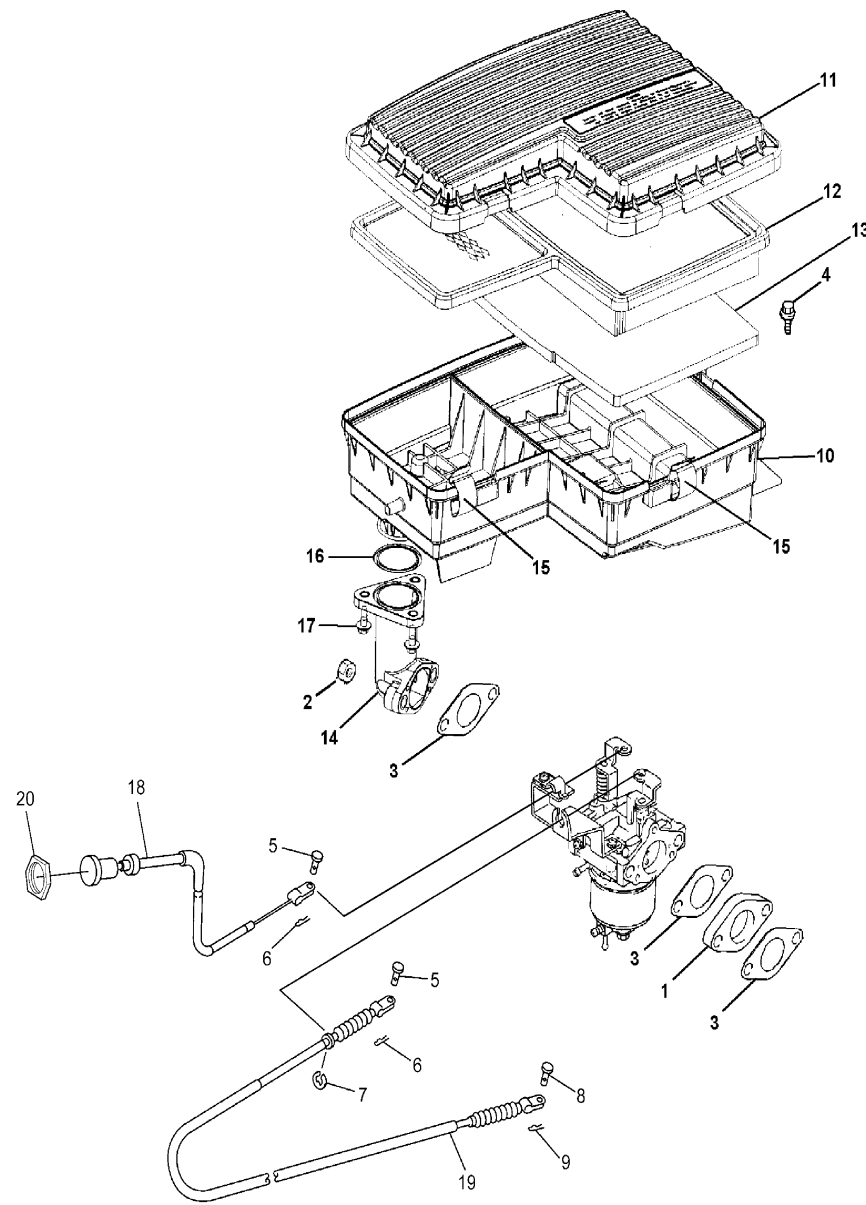
CONTENTS

ACCELERATOR	C2
AIR SHROUD FAN	A8
BODY 1	C12 ,D1
BODY 2	D2
BODY FITTING	D3
BRAKE 1	B10-11
BRAKE 2	B12
BRAKE 3	C1
BUMPER	C11
CAMSHAFT VALVE	A7
CARBURETOR	A10
CARRIER	D4
CRANKCASE	A12
CRANKSHAFT PISTON	A6
CYLINDER HEAD	A5
ELECTRICAL 1 JU7-300101~	D10
ELECTRICAL 1 ~JU7-300100	D9
ELECTRICAL 2	D11-12
ENGINE ASSEMBLY	A4
ENGINE BRACKET	B1
EXHAUST	A11
FRAME	B3
FRONT SUSPENSION WHEEL	B4-5
FUEL TANK JU7-300301~	B9
FUEL TANK ~JU7-300300	B8
GOVERNOR	C3
HEADLIGHT	D8
INTAKE	A9
PRIMARY SHEAVE	C4
REAR ARM SUSPENSION	B2
REAR AXLE MOUNT WHEEL	C9
SEAT	D5
SECONDARY SHEAVE	C5
SHIFTER CABLES	C10
STARTING MOTOR	D6-7
STEERING	B6-7
TRANSMISSION 1	C6-8
~MODELS IN THIS CATALOG	E1



JW41110-C050

INTAKE



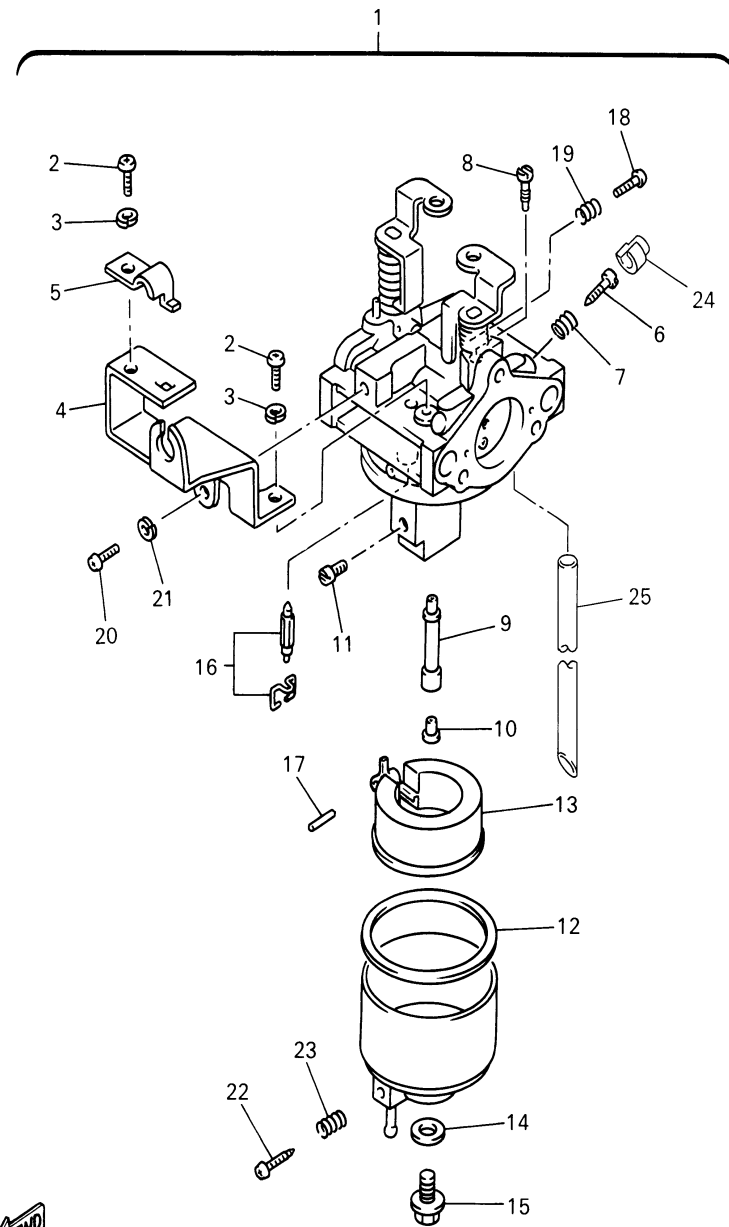
Ref. No.	Part Number	Description	Qty	Remarks
1	JN6-13595-00-00	JOINT	1	
2	95707-08500-00	NUT, FLANGE	2	
3	JN6-13567-00-00	GASKET	3	
4	90119-06838-00	BOLT, WITH WASHER	2	
5	91701-05010-00	PIN, CYLINDER HEAD	2	
6	90468-10049-00	CLIP	2	
7	99001-07600-00	CIRCLIP	1	
8	91701-05010-00	PIN, CYLINDER HEAD	1	
9	90468-10049-00	CLIP	1	
10	JN6-E4411-02-00	CASE, AIR FILTER	1	
11	JN6-E4412-01-00	CAP, CASE 1	1	
12	JN6-E4450-01-00	ELEMENT ASSY	1	
13	JN6-E445E-00-00	FILTER 1	1	
14	JN6-E3586-01-00	JOINT, CARBURETOR	1	
15	JN6-E4424-00-00	CLIP, CAP FITTING	5	
16	93210-398D6-00	O-RING	1	
17	90105-06862-00	BOLT, FLANGE	3	
18	JN6-F6331-11-00	WIRE, STARTER	1	
19	JN6-F6312-01-00	WIRE, THROTTLE	1	
20	JN6-F6333-10-00	NUT	1	

CONTENTS

ACCELERATOR	C2
AIR SHROUD FAN	A8
BODY 1	C12 ,D1
BODY 2	D2
BODY FITTING	D3
BRAKE 1	B10-11
BRAKE 2	B12
BRAKE 3	C1
BUMPER	C11
CAMSHAFT VALVE	A7
CARBURETOR	A10
CARRIER	D4
CRANKCASE	A12
CRANKSHAFT PISTON	A6
CYLINDER HEAD	A5
ELECTRICAL 1 JU7-300101~	D10
ELECTRICAL 1 ~JU7-300100	D9
ELECTRICAL 2	D11-12
ENGINE ASSEMBLY	A4
ENGINE BRACKET	B1
EXHAUST	A11
FRAME	B3
FRONT SUSPENSION WHEEL	B4-5
FUEL TANK JU7-300301~	B9
FUEL TANK ~JU7-300300	B8
GOVERNOR	C3
HEADLIGHT	D8
INTAKE	A9
PRIMARY SHEAVE	C4
REAR ARM SUSPENSION	B2
REAR AXLE MOUNT WHEEL	C9
SEAT	D5
SECONDARY SHEAVE	C5
SHIFTER CABLES	C10
STARTING MOTOR	D6-7
STEERING	B6-7
TRANSMISSION 1	C6-8
~MODELS IN THIS CATALOG	E1



CARBURETOR



JR61100-1060

Ref. No.	Part Number	Description	Qty	Remarks
1	JR6-14101-00-00	CARBURETOR ASSY 1	1	
2	98507-05008-00	. SCREW, PAN HEAD	2	
3	92990-05100-00	. WASHER, LOCK	2	
4	JN6-14291-00-00	. BRACKET 1	1	
5	J10-14227-00-00	. WASHER	1	
6	7NJ-14211-00-00	. SCREW, PILOT ADJUSTING	1	
7	73A-14212-10-00	. SPRING	1	
8	732-14142-65-A0	. JET, PILOT (# 65)	1	
9	JN6-1495H-3B-00	. NOZZLE, MAIN	1	
10	73A-1414G-00-00	. PIPE, MAIN BLEED	1	
11	3G2-1423A-67-00	. JET, MAIN (# 82.5)	1	AP
	3G2-1423A-68-A0	. JET, MAIN (# 87.5)	1	STD
	3G2-1423E-33-A0	. JET, MAIN (#83.8)	1	AP
12	796-14184-00-00	. GASKET, FLOAT CHAMBER	1	
13	JN6-14185-00-00	. FLOAT	1	
14	127-14198-00-00	. GASKET	1	
15	7R1-14162-00-00	. BOLT, HOLDING	1	
16	JN5-14150-00-00	. NEEDLE ASSY	1	
17	22F-14186-00-00	. PIN, FLOAT	1	
18	1WG-14922-00-00	. SCREW, THROTTLE	1	
19	73A-14212-10-00	. SPRING	1	
20	98507-04010-00	. SCREW, PAN HEAD	1	
21	92902-04100-00	. WASHER, SPRING	1	
22	7E1-14191-00-00	. PLUG, DRAIN	1	
23	73A-14212-00-00	. SCREW, PILOT ADJUSTING	1	
24	7LV-14118-00-00	. CAP	1	
25	1KT-14197-01-00	. VENT HOSE	1	

CONTENTS

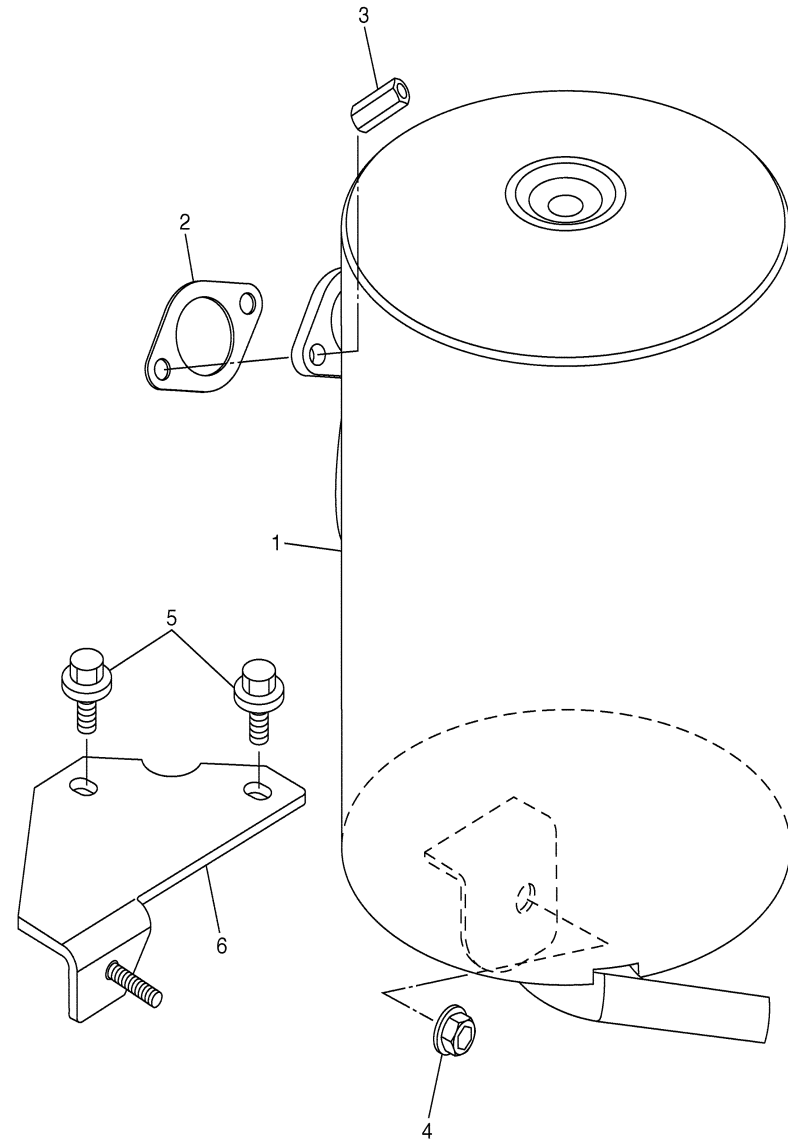
ACCELERATOR	C2
AIR SHROUD FAN	A8
BODY 1	C12 ,D1
BODY 2	D2
BODY FITTING	D3
BRAKE 1	B10-11
BRAKE 2	B12
BRAKE 3	C1
BUMPER	C11
CAMSHAFT VALVE	A7
CARBURETOR	A10
CARRIER	D4
CRANKCASE	A12
CRANKSHAFT PISTON	A6
CYLINDER HEAD	A5
ELECTRICAL 1 JU7-300101~	D10
ELECTRICAL 1 ~JU7-300100	D9
ELECTRICAL 2	D11-12
ENGINE ASSEMBLY	A4
ENGINE BRACKET	B1
EXHAUST	A11
FRAME	B3
FRONT SUSPENSION WHEEL	B4-5
FUEL TANK JU7-300301~	B9
FUEL TANK ~JU7-300300	B8
GOVERNOR	C3
HEADLIGHT	D8
INTAKE	A9
PRIMARY SHEAVE	C4
REAR ARM SUSPENSION	B2
REAR AXLE MOUNT WHEEL	C9
SEAT	D5
SECONDARY SHEAVE	C5
SHIFTER CABLES	C10
STARTING MOTOR	D6-7
STEERING	B6-7
TRANSMISSION 1	C6-8
~MODELS IN THIS CATALOG	E1

EXHAUST

Ref. No.	Part Number	Description	Qty	Remarks
1	JU0-E4710-10-00	MUFFLER ASSY 1	1	
2	7KY-14613-01-00	GASKET, EXHAUST 1	1	
3	90179-08879-00	NUT	2	
4	90185-08841-00	NUT, U-FLANGE	1	
5	90119-08825-00	BOLT, HEX HEAD WITH WASHER	2	
6	JN6-F1435-10-00	BRACKET, MUFFLER	1	

CONTENTS

ACCELERATOR	C2
AIR SHROUD FAN	A8
BODY 1	C12 ,D1
BODY 2	D2
BODY FITTING	D3
BRAKE 1	B10-11
BRAKE 2	B12
BRAKE 3	C1
BUMPER	C11
CAMSHAFT VALVE	A7
CARBURETOR	A10
CARRIER	D4
CRANKCASE	A12
CRANKSHAFT PISTON	A6
CYLINDER HEAD	A5
ELECTRICAL 1 JU7-300101~	D10
ELECTRICAL 1 ~JU7-300100	D9
ELECTRICAL 2	D11-12
ENGINE ASSEMBLY	A4
ENGINE BRACKET	B1
EXHAUST	A11
FRAME	B3
FRONT SUSPENSION WHEEL	B4-5
FUEL TANK JU7-300301~	B9
FUEL TANK ~JU7-300300	B8
GOVERNOR	C3
HEADLIGHT	D8
INTAKE	A9
PRIMARY SHEAVE	C4
REAR ARM SUSPENSION	B2
REAR AXLE MOUNT WHEEL	C9
SEAT	D5
SECONDARY SHEAVE	C5
SHIFTER CABLES	C10
STARTING MOTOR	D6-7
STEERING	B6-7
TRANSMISSION 1	C6-8
~MODELS IN THIS CATALOG	E1



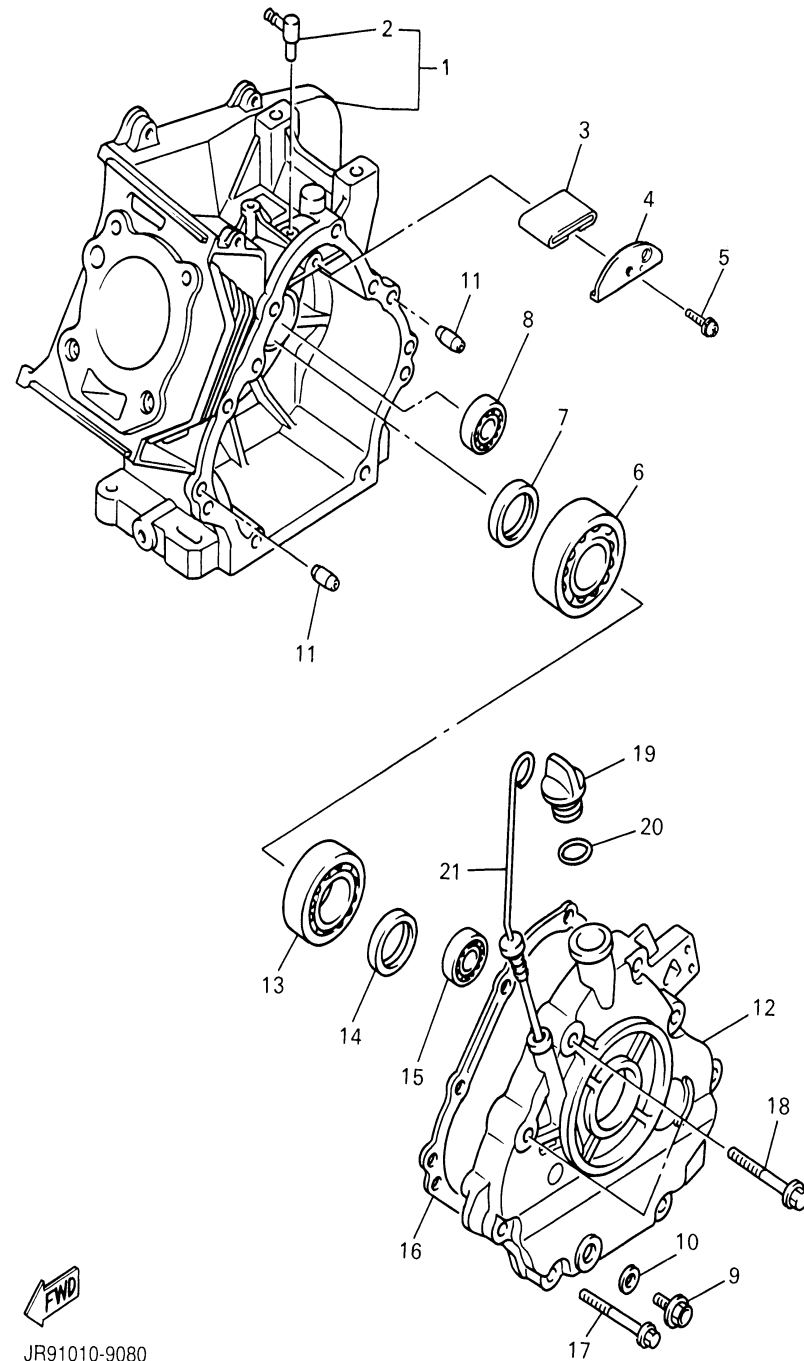
JT71010-B070

CRANKCASE

Ref. No.	Part Number	Description	Qty	Remarks
1	JR7-15100-00-00	CRANKCASE ASSY	1	
2	JN6-15155-00-00	. NOZZLE 3	1	
3	JR7-15407-00-00	ELEMENT 1	1	
4	JR7-15123-00-00	PLATE, BUFFLE 1	1	
5	90159-06107-00	SCREW, WITH WASHER	1	
6	93306-30709-00	BEARING	1	
7	93102-35014-00	OIL SEAL	1	
8	93306-20201-00	BEARING	1	
9	90340-12097-00	PLUG, STRAIGHT SCREW	1	
10	812-11198-00-00	GASKET	1	
11	99530-08016-00	PIN, DOWEL	2	
12	JN6-15411-00-00	COVER, CRANKCASE 1	1	~JU7-300100
	JN6-15411-01-00	COVER, CRANKCASE 1	1	JU7-300101~
13	93306-20714-00	BEARING	1	
14	93102-35014-00	OIL SEAL	1	
15	93306-20201-00	BEARING	1	
16	JN6-15451-02-00	GASKET, CRANKCASE COVER 1	1	
17	95817-08045-00	BOLT, FLANGE	6	
18	95817-10050-00	BOLT, FLANGE	2	
19	796-15363-01-00	PLUG, OIL	1	
20	93210-22344-00	O-RING	1	
21	J38-15361-00-00	GAUGE, LEVEL	1	

CONTENTS

ACCELERATOR	C2
AIR SHROUD FAN	A8
BODY 1	C12 ,D1
BODY 2	D2
BODY FITTING	D3
BRAKE 1	B10-11
BRAKE 2	B12
BRAKE 3	C1
BUMPER	C11
CAMSHAFT VALVE	A7
CARBURETOR	A10
CARRIER	D4
CRANKCASE	A12
CRANKSHAFT PISTON	A6
CYLINDER HEAD	A5
ELECTRICAL 1 JU7-300101~	D10
ELECTRICAL 1 ~JU7-300100	D9
ELECTRICAL 2	D11-12
ENGINE ASSEMBLY	A4
ENGINE BRACKET	B1
EXHAUST	A11
FRAME	B3
FRONT SUSPENSION WHEEL	B4-5
FUEL TANK JU7-300301~	B9
FUEL TANK ~JU7-300300	B8
GOVERNOR	C3
HEADLIGHT	D8
INTAKE	A9
PRIMARY SHEAVE	C4
REAR ARM SUSPENSION	B2
REAR AXLE MOUNT WHEEL	C9
SEAT	D5
SECONDARY SHEAVE	C5
SHIFTER CABLES	C10
STARTING MOTOR	D6-7
STEERING	B6-7
TRANSMISSION 1	C6-8
~MODELS IN THIS CATALOG	E1

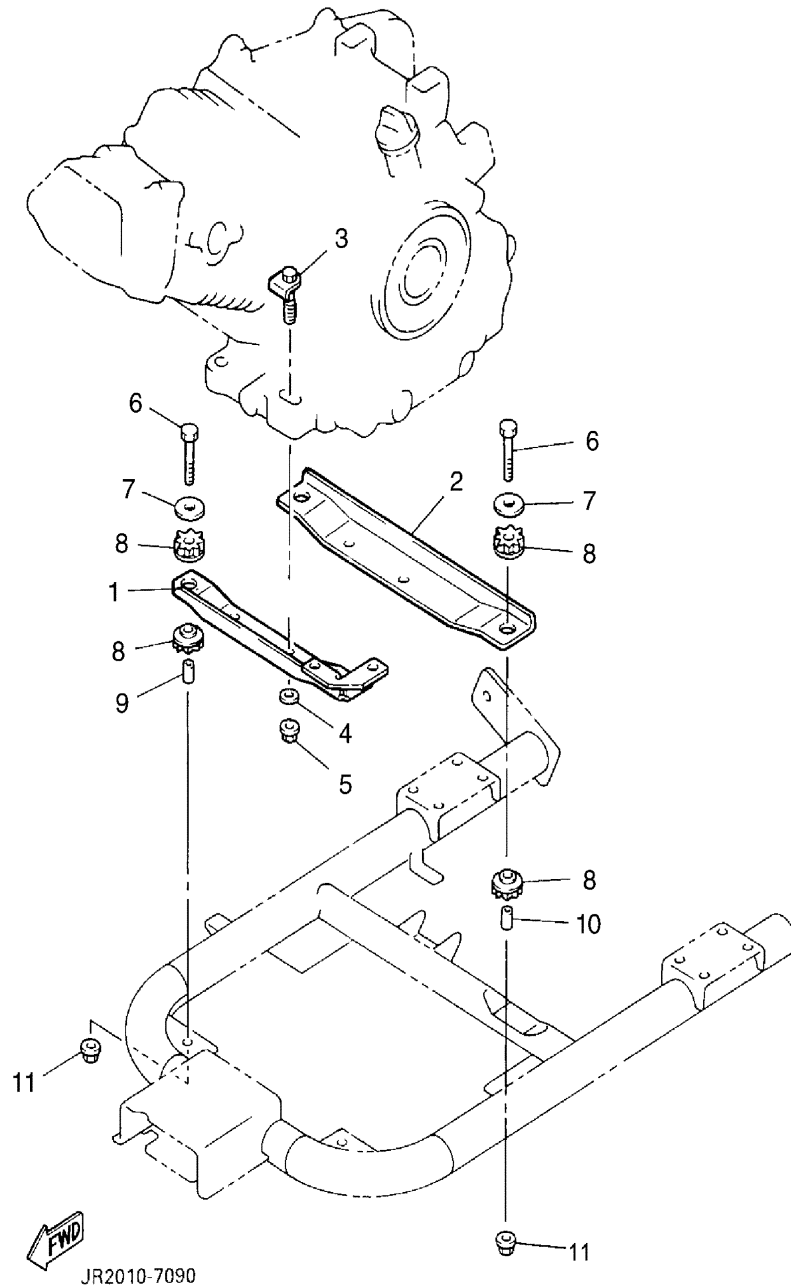


ENGINE BRACKET

Ref. No.	Part Number	Description	Qty	Remarks
1	JN6-F1411-00-00	BRACKET, ENGINE 1	1	
2	JN6-F1419-02-00	BRACKET, ENGINE 2	1	
3	JN6-F1481-00-00	BOLT, ENGINE	4	
4	9290P-10200-00	WASHER	4	
5	9560P-10200-00	NUT, FLANGE	4	
6	90101-08870-00	BOLT, HEX	4	
7	90201-088K6-00	WASHER, PLAIN	4	
8	JN6-F1486-10-00	DAMPER 2	8	
9	JN6-F1459-00-00	SPACER	2	
10	JN6-F1459-10-00	SPACER	2	
11	90179-08885-00	NUT, FLANGE LOCK	4	

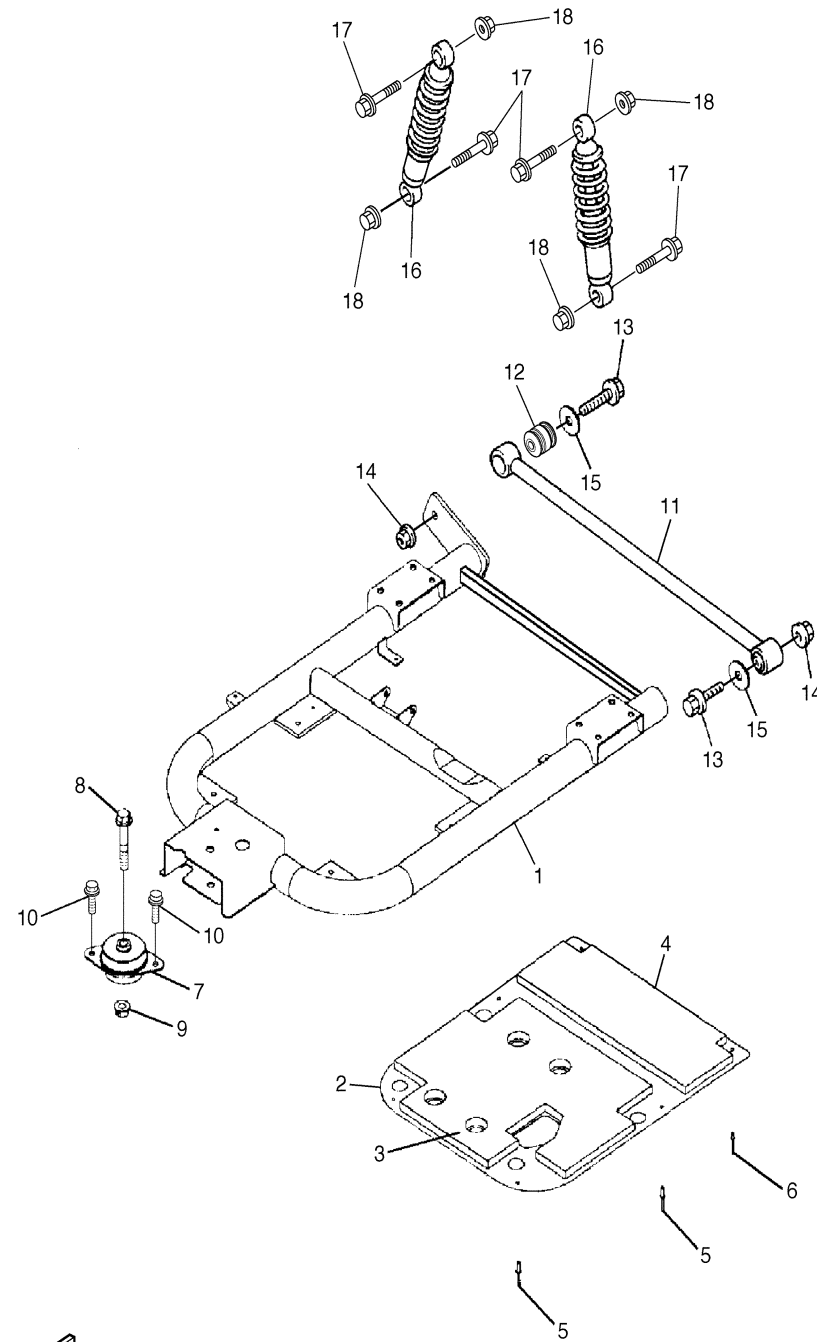
CONTENTS

ACCELERATOR	C2
AIR SHROUD FAN	A8
BODY 1	C12 ,D1
BODY 2	D2
BODY FITTING	D3
BRAKE 1	B10-11
BRAKE 2	B12
BRAKE 3	C1
BUMPER	C11
CAMSHAFT VALVE	A7
CARBURETOR	A10
CARRIER	D4
CRANKCASE	A12
CRANKSHAFT PISTON	A6
CYLINDER HEAD	A5
ELECTRICAL 1 JU7-300101~	D10
ELECTRICAL 1 ~JU7-300100	D9
ELECTRICAL 2	D11-12
ENGINE ASSEMBLY	A4
ENGINE BRACKET	B1
EXHAUST	A11
FRAME	B3
FRONT SUSPENSION WHEEL	B4-5
FUEL TANK JU7-300301~	B9
FUEL TANK ~JU7-300300	B8
GOVERNOR	C3
HEADLIGHT	D8
INTAKE	A9
PRIMARY SHEAVE	C4
REAR ARM SUSPENSION	B2
REAR AXLE MOUNT WHEEL	C9
SEAT	D5
SECONDARY SHEAVE	C5
SHIFTER CABLES	C10
STARTING MOTOR	D6-7
STEERING	B6-7
TRANSMISSION 1	C6-8
~MODELS IN THIS CATALOG	E1



B1

REAR ARM SUSPENSION



 JW41110-C110

Ref. No.	Part Number	Description	Qty	Remarks
1	JU7-F2110-00-00	REAR ARM COMP.	1	
2	JN6-F2128-01-00	COVER, 1	1	
3	JN6-F211E-01-00	PANEL, INNER	1	
4	JN6-F211G-01-00	PANEL, INNER	1	
5	90267-48850-00	RIVET, BLIND	4	
6	90267-40851-00	RIVET, BLIND	2	
7	JN6-F2123-10-00	BUSH 1	1	
8	90105-13864-00	BOLT, FLANGE	1	
9	90179-13878-00	NUT	1	
10	9751P-10620-00	BOLT, WITH WASHER	2	
11	JN6-F217G-00-00	ROD, CONNECTING	1	
12	JN6-F2124-10-00	BUSH 2	2	
13	9581P-12065-00	BOLT, FLANGE	2	
14	9560P-12200-00	NUT, FLANGE	2	
15	90201-128S4-00	WASHER, PLATE	2	
16	JU7-F2210-00-00	SHOCK ABSORBER ASSY, REAR	2	
17	95807-10055-00	BOLT, FLANGE	4	
18	95607-10200-00	NUT, U FLANGE	4	

CONTENTS

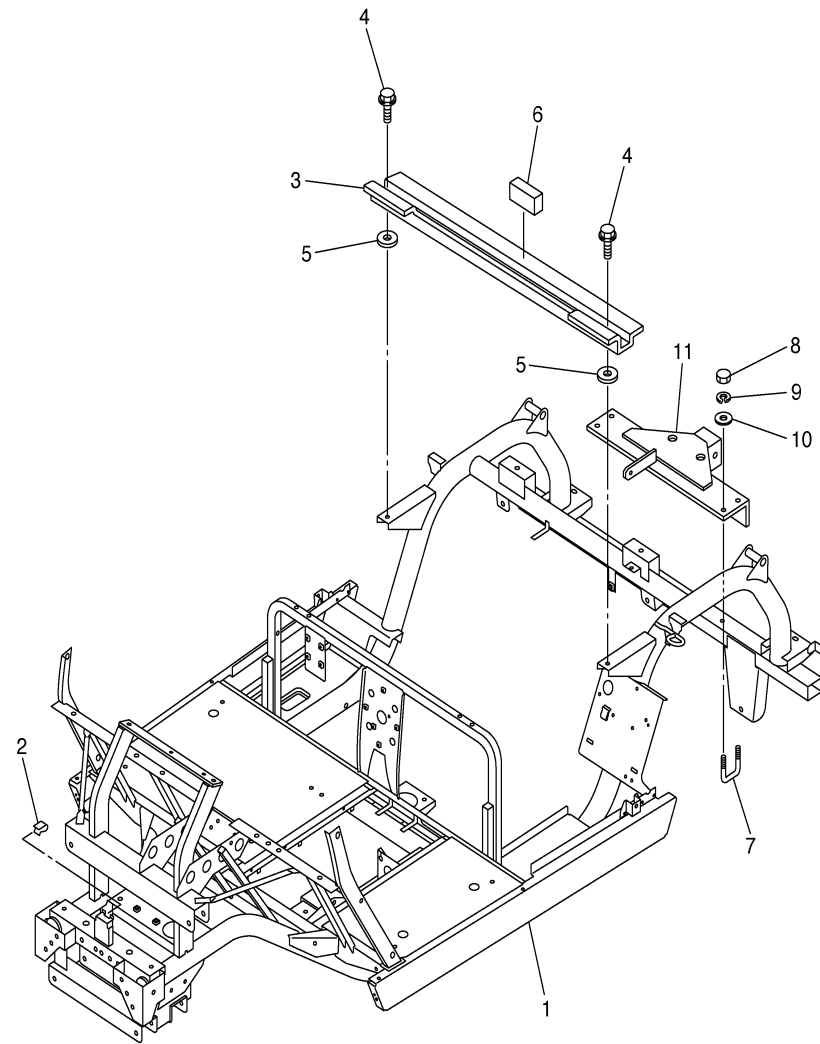
ACCELERATOR	C2
AIR SHROUD FAN	A8
BODY 1	C12 ,D1
BODY 2	D2
BODY FITTING	D3
BRAKE 1	B10-11
BRAKE 2	B12
BRAKE 3	C1
BUMPER	C11
CAMSHAFT VALVE	A7
CARBURETOR	A10
CARRIER	D4
CRANKCASE	A12
CRANKSHAFT PISTON	A6
CYLINDER HEAD	A5
ELECTRICAL 1 JU7-300101~	D10
ELECTRICAL 1 ~JU7-300100	D9
ELECTRICAL 2	D11-12
ENGINE ASSEMBLY	A4
ENGINE BRACKET	B1
EXHAUST	A11
FRAME	B3
FRONT SUSPENSION WHEEL	B4-5
FUEL TANK JU7-300301~	B9
FUEL TANK ~JU7-300300	B8
GOVERNOR	C3
HEADLIGHT	D8
INTAKE	A9
PRIMARY SHEAVE	C4
REAR ARM SUSPENSION	B2
REAR AXLE MOUNT WHEEL	C9
SEAT	D5
SECONDARY SHEAVE	C5
SHIFTER CABLES	C10
STARTING MOTOR	D6-7
STEERING	B6-7
TRANSMISSION 1	C6-8
~MODELS IN THIS CATALOG	E1

FRAME

Ref. No.	Part Number	Description	Qty	Remarks
1	JU7-F2501-00-00	FRAME COMP.	1	
2	JU0-F2567-00-00	SUPPORT 1	1	
3	JU0-F254R-00-00	SUPPORT, BODY MOUNTING .	1	
4	9582P-08020-00	BOLT, FLANGE	2	
5	90201-088S1-00	WASHER, PLATE	2	
6	JU7-F4145-00-00	DAMPER, SIDE COVER	1	~JU7-300100
	JU7-F4145-01-00	DAMPER, SIDE COVER	1	JU7-300101~
7	90109-10862-00	BOLT	2	
8	90170-10847-00	NUT, HEX	4	
9	9290P-10100-00	WASHER	4	
10	9290P-10200-00	WASHER	4	
11	JW4-F722B-00-00	BAR, TOW	1	

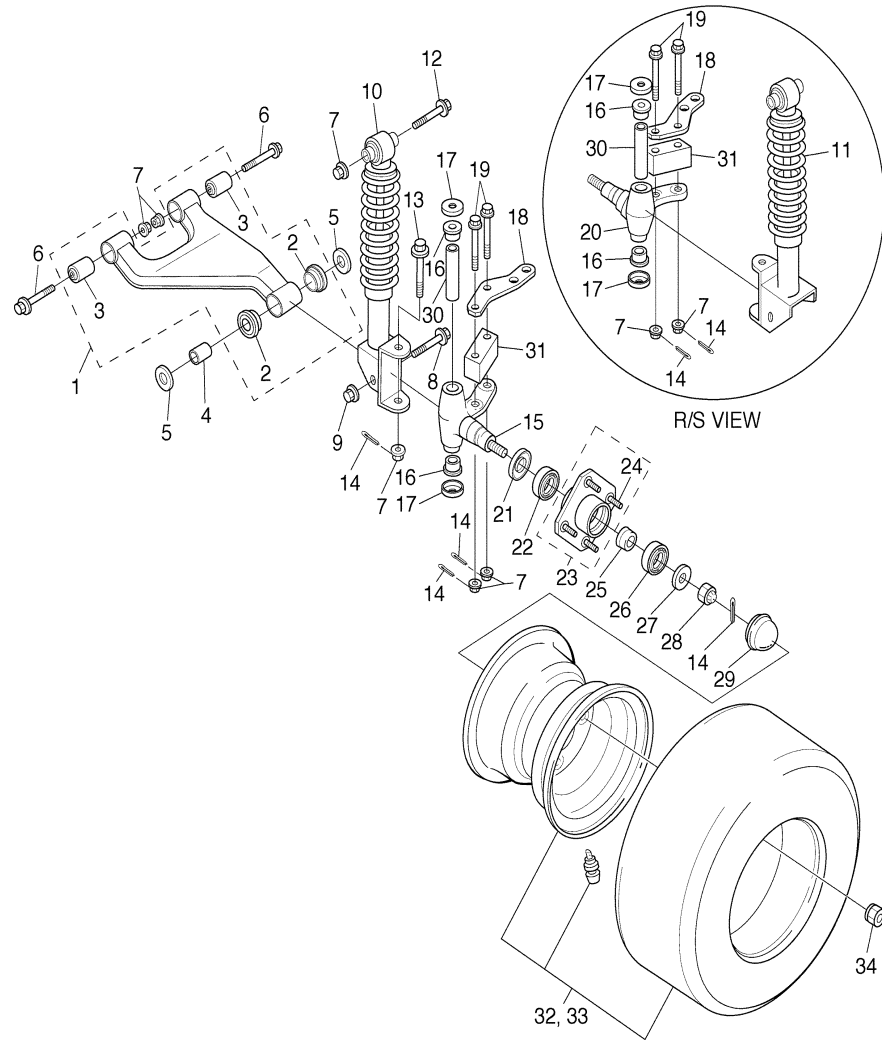
CONTENTS

ACCELERATOR	C2
AIR SHROUD FAN	A8
BODY 1	C12 ,D1
BODY 2	D2
BODY FITTING	D3
BRAKE 1	B10-11
BRAKE 2	B12
BRAKE 3	C1
BUMPER	C11
CAMSHAFT VALVE	A7
CARBURETOR	A10
CARRIER	D4
CRANKCASE	A12
CRANKSHAFT PISTON	A6
CYLINDER HEAD	A5
ELECTRICAL 1 JU7-300101~	D10
ELECTRICAL 1 ~JU7-300100	D9
ELECTRICAL 2	D11-12
ENGINE ASSEMBLY	A4
ENGINE BRACKET	B1
EXHAUST	A11
FRAME	B3
FRONT SUSPENSION WHEEL	B4-5
FUEL TANK JU7-300301~	B9
FUEL TANK ~JU7-300300	B8
GOVERNOR	C3
HEADLIGHT	D8
INTAKE	A9
PRIMARY SHEAVE	C4
REAR ARM SUSPENSION	B2
REAR AXLE MOUNT WHEEL	C9
SEAT	D5
SECONDARY SHEAVE	C5
SHIFTER CABLES	C10
STARTING MOTOR	D6-7
STEERING	B6-7
TRANSMISSION 1	C6-8
~MODELS IN THIS CATALOG	E1



JU71110-C120

FRONT SUSPENSION WHEEL



Ref. No.	Part Number	Description	Qty	Remarks
1	JU0-F3570-20-00	FRONT LOWER ARM COMP. . .	2	
2	90381-18001-00	. BUSH, SOLID	2	
3	2HR-23526-00-00	. BUSH	2	
4	90387-12016-00	COLLAR	2	
5	401-22128-01-00	COVER, THRUST 1	4	
6	90105-10890-00	BOLT, FLANGE	4	
7	95607-10200-00	NUT, U FLANGE	12	
8	95817-12080-00	BOLT, FLANGE	2	
9	9561P-12100-00	NUT	2	
10	JU7-F3350-00-00	SHOCK ABSORBER ASSY . . .	1	LH
11	JU7-F3390-00-00	SHOCK ABSORBER ASSY 2 . .	1	RH
12	95807-10065-00	BOLT, FLANGE	2	
13	90105-10064-00	BOLT, FLANGE	2	
14	91401-25020-00	PIN, COTTER	8	
15	JU0-F3511-00-00	KNUCKLE, STEERING 1	1	
16	90381-17067-00	BUSH, SOLID	4	
17	2NL-23517-00-00	COVER, THRUST 1	4	
18	JU7-F3512-00-00	ARM, KNUCKLE 1	2	
19	90105-10774-00	BOLT, FLANGE	4	
20	JU0-F3521-00-00	KNUCKLE, STEERING 2	1	
21	93102-30083-00	OIL SEAL	2	
22	93306-204X0-00	BEARING	2	
23	JG5-WF511-10-00	HUB, FRONT	2	
24	90114-12800-00	. BOLT, RIBBED NECK	4	
25	90387-241M7-00	COLLAR	2	
26	93306-005Y3-00	BEARING	2	
27	90209-32832-00	WASHER	2	
28	95607-14100-00	NUT, U	2	
29	JN6-F5118-00-00	COVER, HUB DUST	2	
30	2NL-23448-00-00	SPACER	2	

CONTENTS

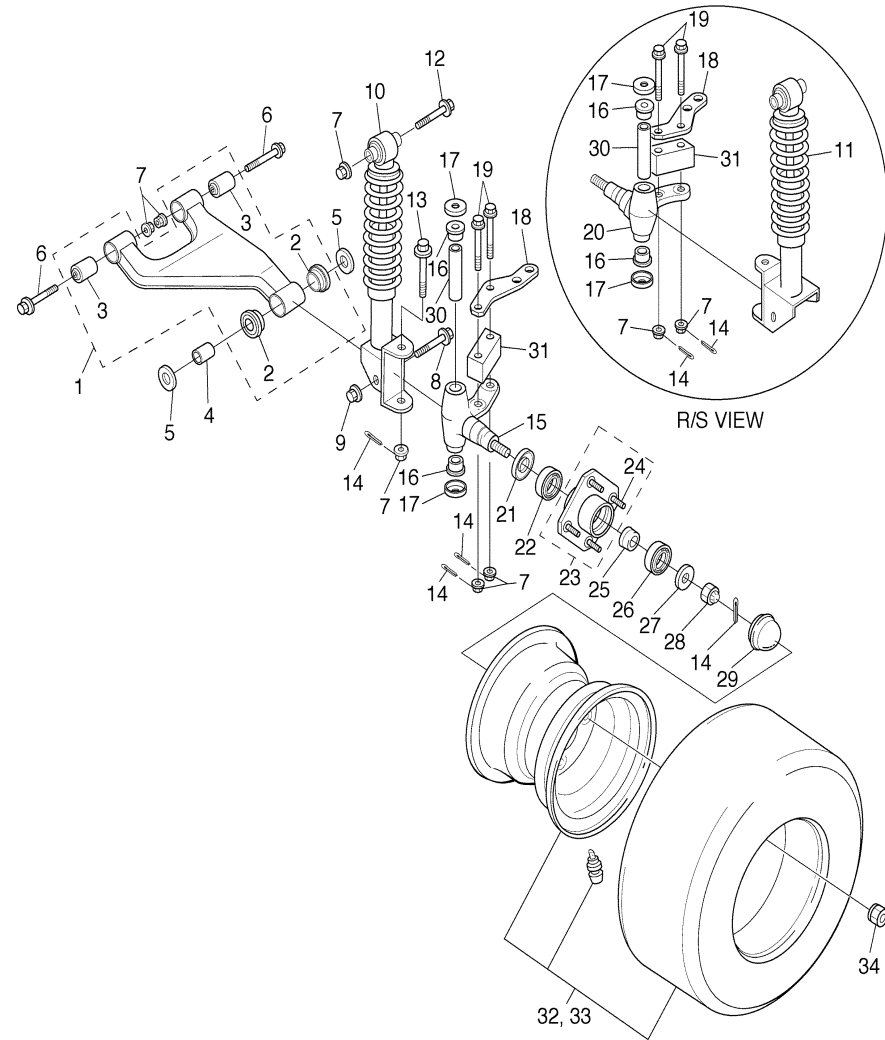
ACCELERATOR	C2
AIR SHROUD FAN	A8
BODY 1	C12 ,D1
BODY 2	D2
BODY FITTING	D3
BRAKE 1	B10-11
BRAKE 2	B12
BRAKE 3	C1
BUMPER	C11
CAMSHAFT VALVE	A7
CARBURETOR	A10
CARRIER	D4
CRANKCASE	A12
CRANKSHAFT PISTON	A6
CYLINDER HEAD	A5
ELECTRICAL 1 JU7-300101~	D10
ELECTRICAL 1 ~JU7-300100	D9
ELECTRICAL 2	D11-12
ENGINE ASSEMBLY	A4
ENGINE BRACKET	B1
EXHAUST	A11
FRAME	B3
FRONT SUSPENSION WHEEL	B4-5
FUEL TANK JU7-300301~	B9
FUEL TANK ~JU7-300300	B8
GOVERNOR	C3
HEADLIGHT	D8
INTAKE	A9
PRIMARY SHEAVE	C4
REAR ARM SUSPENSION	B2
REAR AXLE MOUNT WHEEL	C9
SEAT	D5
SECONDARY SHEAVE	C5
SHIFTER CABLES	C10
STARTING MOTOR	D6-7
STEERING	B6-7
TRANSMISSION 1	C6-8
~MODELS IN THIS CATALOG	E1

CONTINUED ON NEXT FRAME ►



JW41110-C130

FRONT SUSPENSION WHEEL



Ref. No.	Part Number	Description	Qty	Remarks
31	JU7-F3118-00-00	SPACER	2	
32	JU7-F5100-00-00	WHEEL ASSY (20X10-8 4PLY 224)	1	UR DURO TURF, LH
	JU7-F5100-10-00	WHEEL ASSY (20X10-8/4/244) .	1	UR DURO DESERT, LH
33	JU7-F5100-00-00	WHEEL ASSY (20X10-8 4PLY 224)	1	UR DURO TURF, RH
	JU7-F5109-10-00	WHEEL ASSY, 2 (20X10-8/4/244)	1	UR DURO DESERT, RH
34	90179-12262-00	NUT	8	

CONTENTS

ACCELERATOR	C2
AIR SHROUD FAN	A8
BODY 1	C12 ,D1
BODY 2	D2
BODY FITTING	D3
BRAKE 1	B10-11
BRAKE 2	B12
BRAKE 3	C1
BUMPER	C11
CAMSHAFT VALVE	A7
CARBURETOR	A10
CARRIER	D4
CRANKCASE	A12
CRANKSHAFT PISTON	A6
CYLINDER HEAD	A5
ELECTRICAL 1 JU7-300101~	D10
ELECTRICAL 1 ~JU7-300100	D9
ELECTRICAL 2	D11-12
ENGINE ASSEMBLY	A4
ENGINE BRACKET	B1
EXHAUST	A11
FRAME	B3
FRONT SUSPENSION WHEEL	B4-5
FUEL TANK JU7-300301~	B9
FUEL TANK ~JU7-300300	B8
GOVERNOR	C3
HEADLIGHT	D8
INTAKE	A9
PRIMARY SHEAVE	C4
REAR ARM SUSPENSION	B2
REAR AXLE MOUNT WHEEL	C9
SEAT	D5
SECONDARY SHEAVE	C5
SHIFTER CABLES	C10
STARTING MOTOR	D6-7
STEERING	B6-7
TRANSMISSION 1	C6-8
~MODELS IN THIS CATALOG	E1



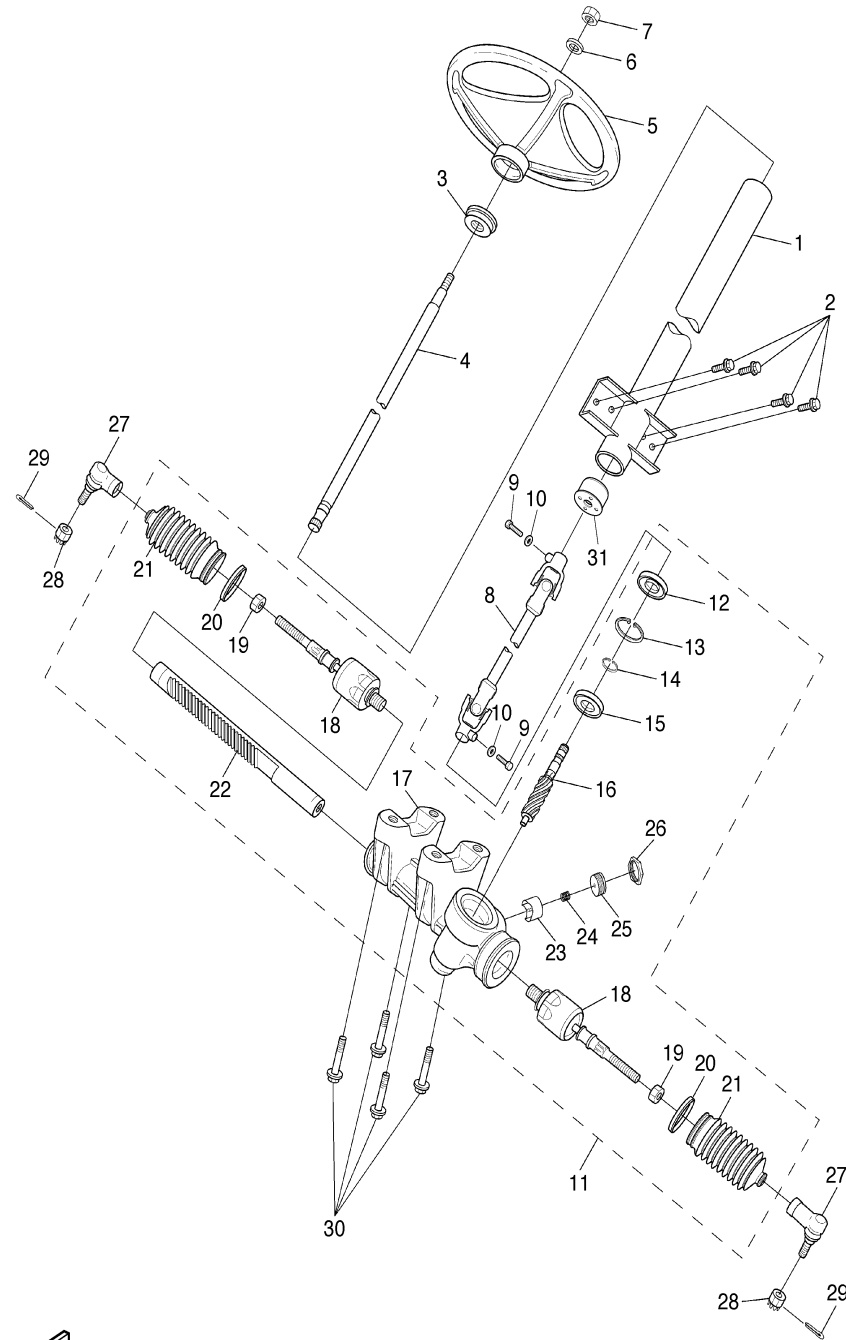
JW41110-C130

STEERING

Ref. No.	Part Number	Description	Qty	Remarks
1	JU0-F3811-00-00	COLUMN, STEERING	1	
2	9581P-08016-00	BOLT, FLANGE	4	
3	JN3-F3814-00-00	HOLDER, HANDLE	1	
4	JU0-F3828-00-00	ROD, STEERING	1	
5	JN3-F3838-00-00	WHEEL, STEERING	1	
6	9290P-12200-00	WASHER	1	
7	90185-12061-00	NUT, SELF-LOCKING	1	
8	JU0-F3822-00-00	JOINT 1	1	
9	97017-08030-00	BOLT	2	
10	92907-08600-00	WASHER, PLATE	2	
11	JU7-F3400-00-00	STEERING ASSY	1	
12	JU0-F3844-00-00	. SEAL	1	
13	JU0-F387J-00-00	. RING, STOPPER	1	
14	JU0-F3183-00-00	. CIRCLIP	1	
15	JU0-F339Y-00-00	. BEARING	1	
16	JU0-F387A-00-00	. GEAR, PINION	1	
17	JU0-F620A-01-00	. HOUSING COMP.	1	NOT AVAILABLE
18	JU7-F3837-00-00	. ROD, TIE 2	2	
19	JU0-F3833-00-00	. NUT 1	2	
20	JU0-F1338-00-00	. CLAMP	2	
21	JU0-F3848-00-00	. BOOT	2	
22	JU0-F387E-00-00	. GEAR, RACK	1	
23	JU0-F387F-00-00	. PAD, PRESSURE	1	
24	JU0-F387K-00-00	. SPRING, PRESSURE	1	
25	JU0-F387G-00-00	. COVER, ADJUST	1	
26	JU0-F3834-00-00	. NUT 2	1	
27	JU0-F3841-00-00	JOINT, UNIVERSAL 1	2	
28	95607-12200-00	NUT, U-FLANGE	2	
29	91401-25020-00	PIN, COTTER	2	
30	90105-10810-00	BOLT, FLANGE	4	

CONTENTS

ACCELERATOR	C2
AIR SHROUD FAN	A8
BODY 1	C12 ,D1
BODY 2	D2
BODY FITTING	D3
BRAKE 1	B10-11
BRAKE 2	B12
BRAKE 3	C1
BUMPER	C11
CAMSHAFT VALVE	A7
CARBURETOR	A10
CARRIER	D4
CRANKCASE	A12
CRANKSHAFT PISTON	A6
CYLINDER HEAD	A5
ELECTRICAL 1 JU7-300101~	D10
ELECTRICAL 1 ~JU7-300100	D9
ELECTRICAL 2	D11-12
ENGINE ASSEMBLY	A4
ENGINE BRACKET	B1
EXHAUST	A11
FRAME	B3
FRONT SUSPENSION WHEEL	B4-5
FUEL TANK JU7-300301~	B9
FUEL TANK ~JU7-300300	B8
GOVERNOR	C3
HEADLIGHT	D8
INTAKE	A9
PRIMARY SHEAVE	C4
REAR ARM SUSPENSION	B2
REAR AXLE MOUNT WHEEL	C9
SEAT	D5
SECONDARY SHEAVE	C5
SHIFTER CABLES	C10
STARTING MOTOR	D6-7
STEERING	B6-7
TRANSMISSION 1	C6-8
~MODELS IN THIS CATALOG	E1



JU71110-C140

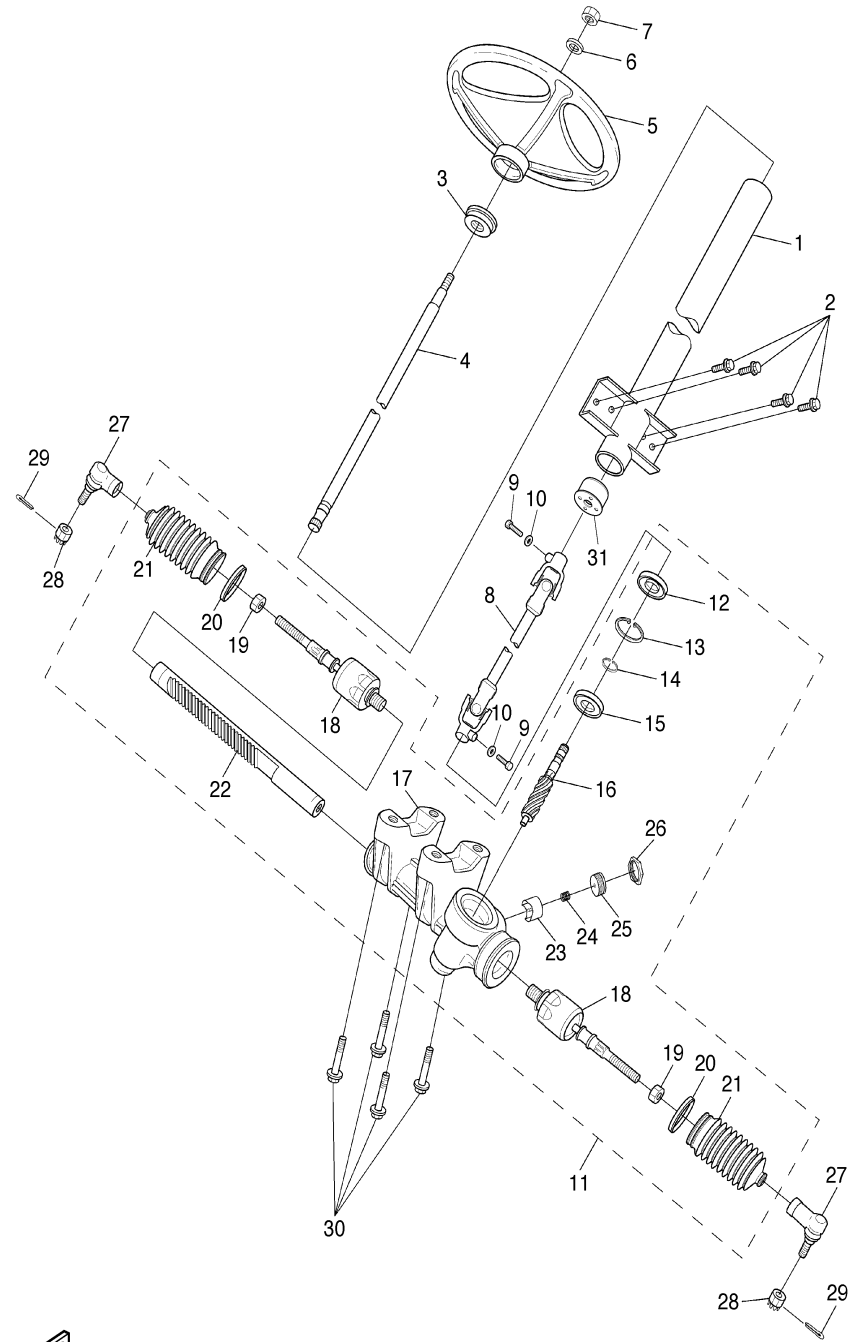
CONTINUED ON NEXT FRAME ►

STEERING

Ref. No.	Part Number	Description	Qty	Remarks
31	JU0-F3857-00-00	HOLDER	1	

CONTENTS

ACCELERATOR	C2
AIR SHROUD FAN	A8
BODY 1	C12 ,D1
BODY 2	D2
BODY FITTING	D3
BRAKE 1	B10-11
BRAKE 2	B12
BRAKE 3	C1
BUMPER	C11
CAMSHAFT VALVE	A7
CARBURETOR	A10
CARRIER	D4
CRANKCASE	A12
CRANKSHAFT PISTON	A6
CYLINDER HEAD	A5
ELECTRICAL 1 JU7-300101~	D10
ELECTRICAL 1 ~JU7-300100	D9
ELECTRICAL 2	D11-12
ENGINE ASSEMBLY	A4
ENGINE BRACKET	B1
EXHAUST	A11
FRAME	B3
FRONT SUSPENSION WHEEL	B4-5
FUEL TANK JU7-300301~	B9
FUEL TANK ~JU7-300300	B8
GOVERNOR	C3
HEADLIGHT	D8
INTAKE	A9
PRIMARY SHEAVE	C4
REAR ARM SUSPENSION	B2
REAR AXLE MOUNT WHEEL	C9
SEAT	D5
SECONDARY SHEAVE	C5
SHIFTER CABLES	C10
STARTING MOTOR	D6-7
STEERING	B6-7
TRANSMISSION 1	C6-8
~MODELS IN THIS CATALOG	E1



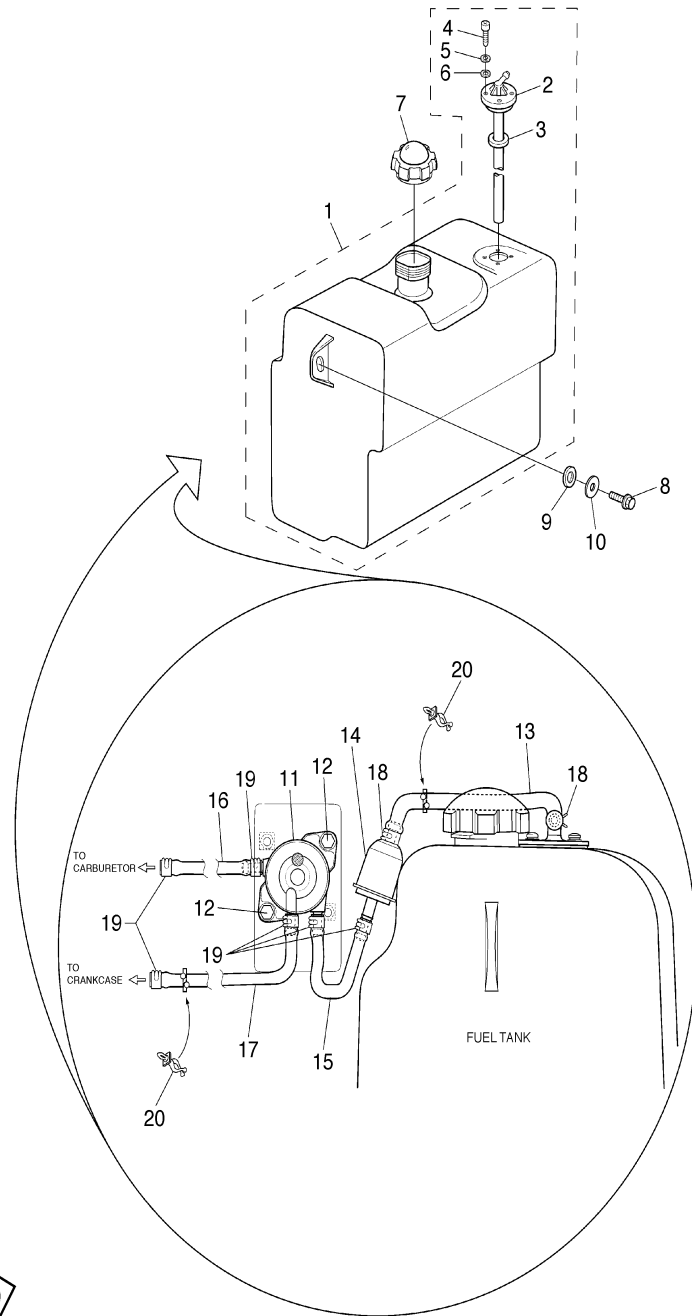
JU71110-C140

FUEL TANK ~JU7-300300

Ref. No.	Part Number	Description	Qty	Remarks
1	JN6-F4110-01-00	FUEL TANK COMP	1	
2	JN3-F4300-02-00	. FUEL PIPE JOINT	1	
3	93210-228C4-00	. O-RING	1	
4	98507-05014-00	. SCREW, PAN HEAD	4	
5	92907-05100-00	. WASHER, SPRING	4	
6	92907-05600-00	. WASHER, PLATE	4	
7	JN6-F4610-00-00	CAP ASSY	1	
8	90105-08878-00	BOLT, FLANGE	2	
9	90560-08251-00	SPACER	2	
10	90201-088S2-00	WASHER, PLATE	2	
11	JN6-F4410-10-00	FUEL PUMP ASSY	1	
12	JN6-F3394-00-00	BOLT, SPECIAL	2	
13	JN6-F4312-20-00	PIPE 2	1	
14	JN6-F4560-00-00	FILTER, ASSY	1	
15	JN6-F4311-20-00	PIPE, FUEL 1	1	
16	JN6-F4313-20-00	PIPE 3	1	
17	JU7-F4314-00-00	PIPE 4	1	
18	90467-12845-00	CLIP	2	
19	90467-10846-00	CLIP	6	
20	90464-11816-00	CLAMP	2	

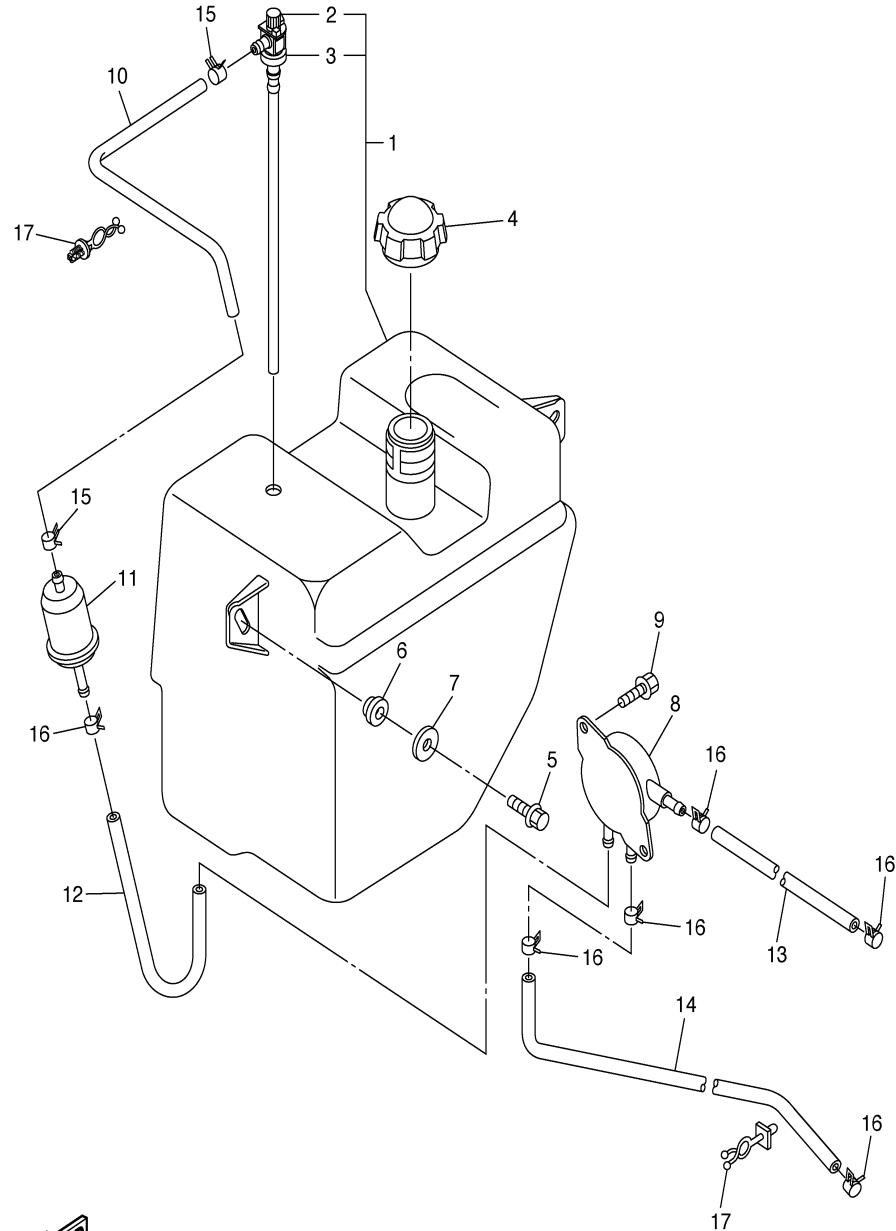
CONTENTS

ACCELERATOR	C2
AIR SHROUD FAN	A8
BODY 1	C12 ,D1
BODY 2	D2
BODY FITTING	D3
BRAKE 1	B10-11
BRAKE 2	B12
BRAKE 3	C1
BUMPER	C11
CAMSHAFT VALVE	A7
CARBURETOR	A10
CARRIER	D4
CRANKCASE	A12
CRANKSHAFT PISTON	A6
CYLINDER HEAD	A5
ELECTRICAL 1 JU7-300101~	D10
ELECTRICAL 1 ~JU7-300100	D9
ELECTRICAL 2	D11-12
ENGINE ASSEMBLY	A4
ENGINE BRACKET	B1
EXHAUST	A11
FRAME	B3
FRONT SUSPENSION WHEEL	B4-5
FUEL TANK JU7-300301~	B9
FUEL TANK ~JU7-300300	B8
GOVERNOR	C3
HEADLIGHT	D8
INTAKE	A9
PRIMARY SHEAVE	C4
REAR ARM SUSPENSION	B2
REAR AXLE MOUNT WHEEL	C9
SEAT	D5
SECONDARY SHEAVE	C5
SHIFTER CABLES	C10
STARTING MOTOR	D6-7
STEERING	B6-7
TRANSMISSION 1	C6-8
~MODELS IN THIS CATALOG	E1



JW41110-C150

FUEL TANK JU7-300301~



Ref. No.	Part Number	Description	Qty	Remarks
1	JU0-F4111-01-00	FUEL TANK COMP	1	
2	JU0-F4300-10-00	. FUEL PIPE JOINT	1	
3	JU5-F4375-00-00	. GROMMET	1	
4	JN6-F4610-00-00	CAP ASSY	1	
5	90105-08878-00	BOLT, FLANGE	2	
6	90560-08251-00	SPACER	2	
7	90201-088S2-00	WASHER, PLATE	2	
8	JN6-F4410-10-00	FUEL PUMP ASSY	1	
9	JN6-F3394-00-00	BOLT, SPECIAL	2	
10	JN6-F4312-30-00	PIPE 2	1	
11	JN6-F4560-00-00	FILTER, ASSY	1	
12	JN6-F4311-30-00	PIPE, FUEL 1	1	
13	JN6-F4313-00-00	PIPE, 3	1	
14	JU7-F4314-01-00	PIPE 4	1	
15	90467-12845-00	CLIP	2	
16	90467-12846-00	CLIP	6	
17	90464-11816-00	CLAMP	2	

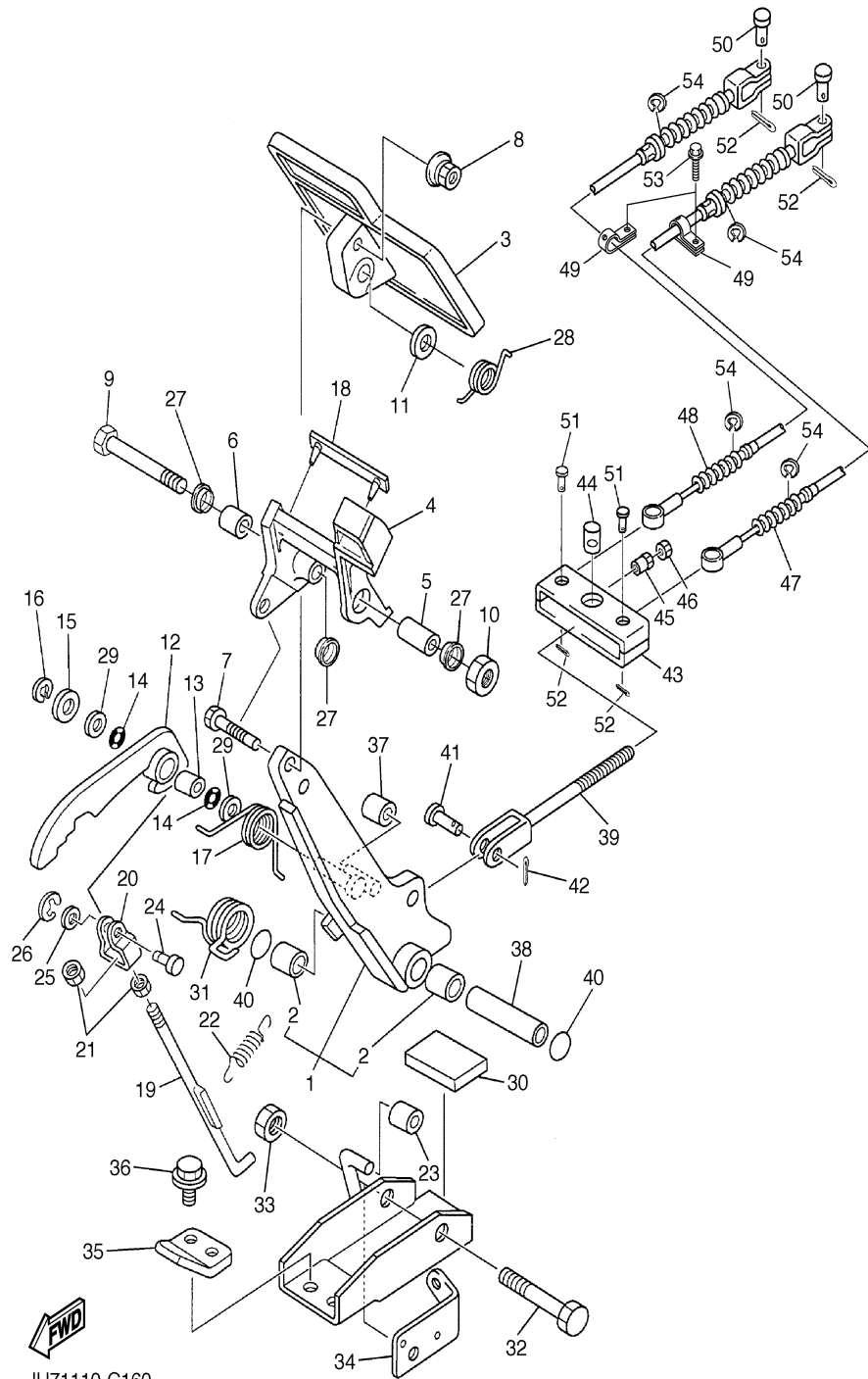
CONTENTS

ACCELERATOR	C2
AIR SHROUD FAN	A8
BODY 1	C12 ,D1
BODY 2	D2
BODY FITTING	D3
BRAKE 1	B10-11
BRAKE 2	B12
BRAKE 3	C1
BUMPER	C11
CAMSHAFT VALVE	A7
CARBURETOR	A10
CARRIER	D4
CRANKCASE	A12
CRANKSHAFT PISTON	A6
CYLINDER HEAD	A5
ELECTRICAL 1 JU7-300101~	D10
ELECTRICAL 1 ~JU7-300100	D9
ELECTRICAL 2	D11-12
ENGINE ASSEMBLY	A4
ENGINE BRACKET	B1
EXHAUST	A11
FRAME	B3
FRONT SUSPENSION WHEEL	B4-5
FUEL TANK JU7-300301~	B9
FUEL TANK ~JU7-300300	B8
GOVERNOR	C3
HEADLIGHT	D8
INTAKE	A9
PRIMARY SHEAVE	C4
REAR ARM SUSPENSION	B2
REAR AXLE MOUNT WHEEL	C9
SEAT	D5
SECONDARY SHEAVE	C5
SHIFTER CABLES	C10
STARTING MOTOR	D6-7
STEERING	B6-7
TRANSMISSION 1	C6-8
~MODELS IN THIS CATALOG	E1



JU03100-E150

BRAKE 1



JU71110-C160

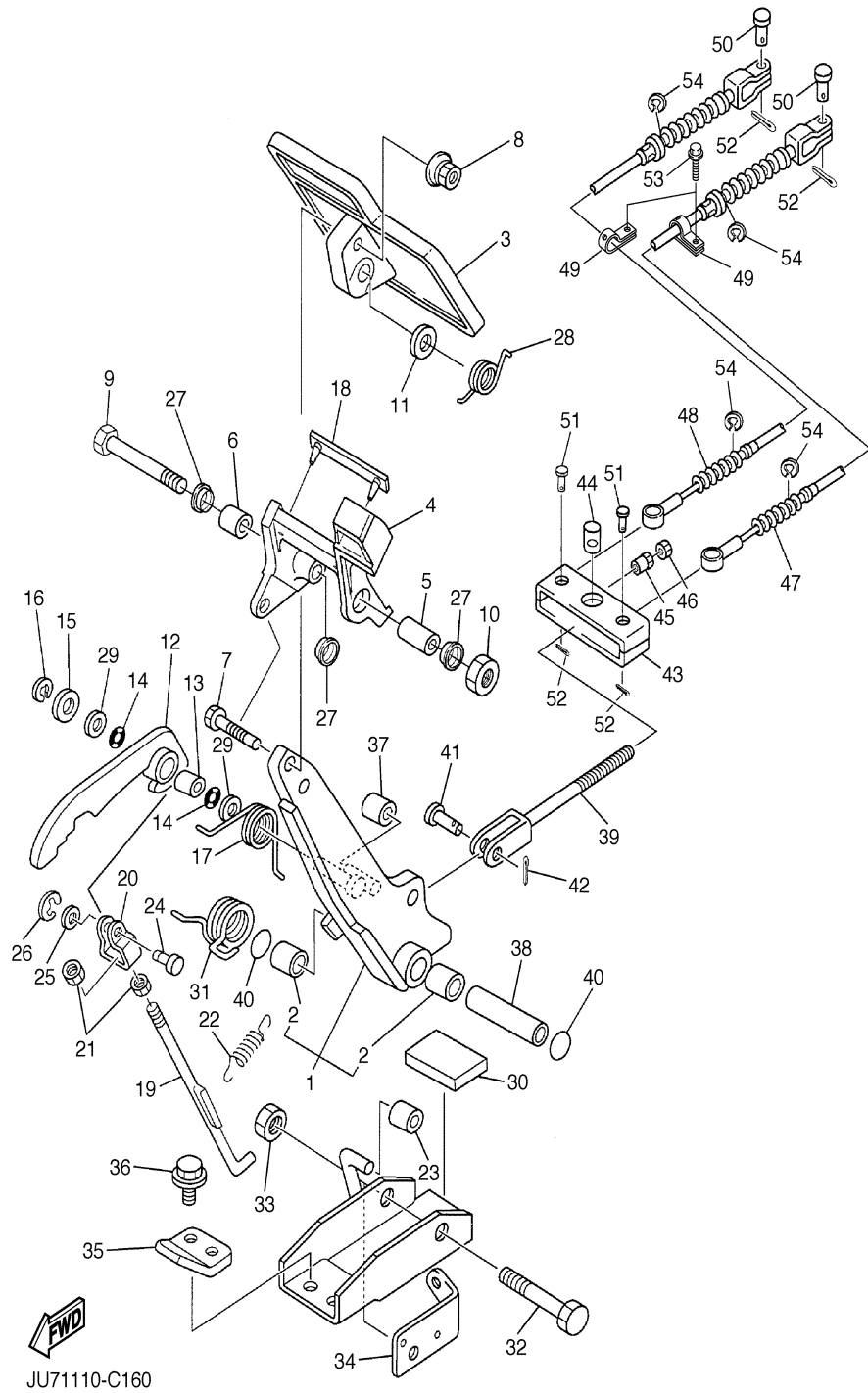
Ref. No.	Part Number	Description	Qty	Remarks
1	J46-27250-03-00	BRAKE ARM COMP.	1	
2	90384-14080-00	. BUSH, BIMETAL	2	
3	JU0-27211-01-00	PEDAL, BRAKE	1	
4	JU0-25671-00-00	PEDAL, PARKING BRAKE	1	
5	90387-08014-00	COLLAR	1	
6	90387-08013-00	COLLAR	1	
7	97027-06035-00	BOLT	1	
8	90179-07564-00	NUT	1	
9	97027-08100-00	BOLT	1	
10	95307-08600-00	NUT	1	
11	92907-08200-00	WASHER, PLAIN	1	
12	J17-25666-02-00	SECTOR, PARKING BRAKE ..	1	
13	90384-10162-00	BUSH, BIMETAL	1	
14	J17-27221-00-00	SEAL, SHAFT	2	
15	92907-10600-00	WASHER, PLATE	1	
16	99001-07600-00	CIRCLIP	1	
17	90508-14548-00	SPRING, TORSION	1	
18	J17-25672-01-00	PAD, PARKING	1	
19	J17-27231-03-00	ROD, BRAKE	1	
20	J17-27232-00-00	END, ROD	1	
21	95307-06700-00	NUT	2	
22	90506-09001-00	SPRING, TENSION	1	
23	J17-25673-00-00	DAMPER, BRAKE	1	
24	J17-27228-00-00	PIN, LINK JOINT	1	
25	92907-05600-00	WASHER, PLATE	1	
26	99001-04600-00	CIRCLIP (E)	1	
27	90387-12009-00	COLLAR	3	
28	90508-32015-00	SPRING, TORSION	1	
29	90201-104G8-00	WASHER, PLAIN	2	
30	JN3-F7245-00-00	PAD, BRAKE PEDAL	1	

CONTENTS

ACCELERATOR	C2
AIR SHROUD FAN	A8
BODY 1	C12 ,D1
BODY 2	D2
BODY FITTING	D3
BRAKE 1	B10-11
BRAKE 2	B12
BRAKE 3	C1
BUMPER	C11
CAMSHAFT VALVE	A7
CARBURETOR	A10
CARRIER	D4
CRANKCASE	A12
CRANKSHAFT PISTON	A6
CYLINDER HEAD	A5
ELECTRICAL 1 JU7-300101~	D10
ELECTRICAL 1 ~JU7-300100	D9
ELECTRICAL 2	D11-12
ENGINE ASSEMBLY	A4
ENGINE BRACKET	B1
EXHAUST	A11
FRAME	B3
FRONT SUSPENSION WHEEL	B4-5
FUEL TANK JU7-300301~	B9
FUEL TANK ~JU7-300300	B8
GOVERNOR	C3
HEADLIGHT	D8
INTAKE	A9
PRIMARY SHEAVE	C4
REAR ARM SUSPENSION	B2
REAR AXLE MOUNT WHEEL	C9
SEAT	D5
SECONDARY SHEAVE	C5
SHIFTER CABLES	C10
STARTING MOTOR	D6-7
STEERING	B6-7
TRANSMISSION 1	C6-8
~MODELS IN THIS CATALOG	E1

CONTINUED ON NEXT FRAME ►

BRAKE 1



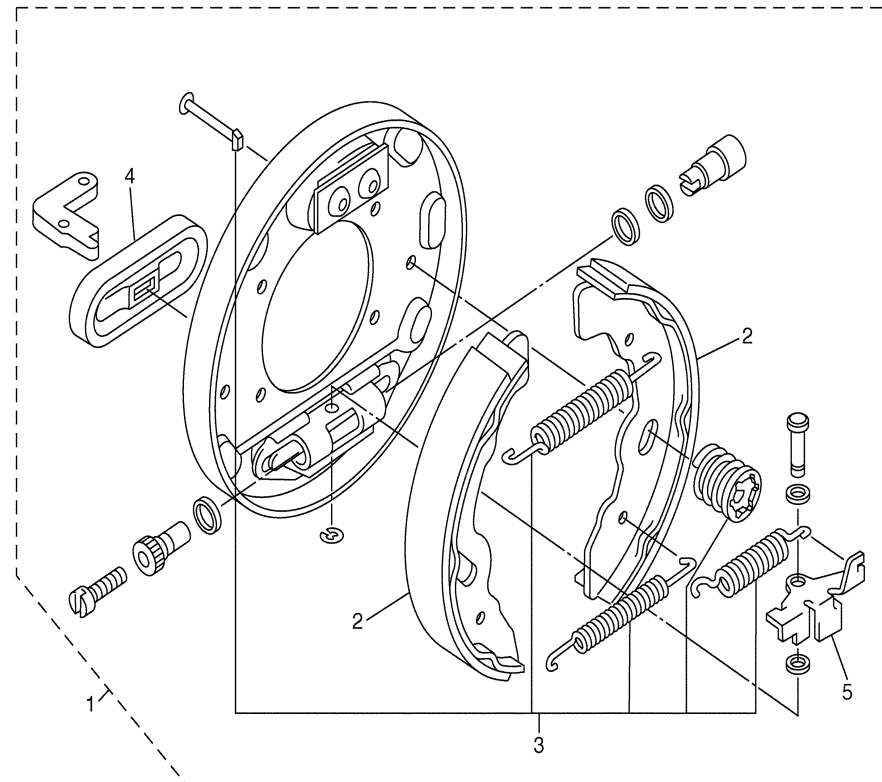
Ref. No.	Part Number	Description	Qty	Remarks
31	90508-40007-00	SPRING, TORSION	1	
32	90101-10884-00	BOLT	1	
33	95607-10200-00	NUT, U FLANGE	1	
34	J55-2252M-00-00	BRACKET	1	
35	J17-27246-00-00	NAIL, BRAKE	1	
36	90105-08878-00	BOLT, FLANGE	2	
37	J17-25673-00-00	DAMPER, BRAKE	1	
38	90387-107F8-00	COLLAR	1	
39	JN6-F5685-00-00	ROD	1	
40	93210-132A8-00	O-RING	2	
41	91701-10022-00	PIN	1	
42	91490-30015-00	PIN, COTTER	1	
43	JN6-F5681-00-00	EQUALIZER, BRAKE	1	
44	90249-14129-00	PIN	1	
45	90179-08894-00	NUT	1	
46	95307-08700-00	NUT, HEX	1	
47	JU7-F6341-00-00	CABLE, BRAKE	1	~JU7-300100
	JU0-F6341-10-00	CABLE, BRAKE	1	JU7-300101~
48	JU7-F6351-00-00	CABLE, BRAKE	1	~JU7-300100
	JU0-F6351-10-00	CABLE, BRAKE	1	JU7-300101~
49	90464-16802-00	. CLAMP	2	INCLUDED WITH JU7 CABLES ONLY
50	91701-08018-00	PIN	2	
51	91701-08026-00	PIN	2	
52	91490-25015-00	PIN, COTTER	4	
53	90105-06876-00	BOLT, FLANGE	2	
54	99001-09600-00	CIRCLIP	4	

CONTENTS

ACCELERATOR	C2
AIR SHROUD FAN	A8
BODY 1	C12 ,D1
BODY 2	D2
BODY FITTING	D3
BRAKE 1	B10-11
BRAKE 2	B12
BRAKE 3	C1
BUMPER	C11
CAMSHAFT VALVE	A7
CARBURETOR	A10
CARRIER	D4
CRANKCASE	A12
CRANKSHAFT PISTON	A6
CYLINDER HEAD	A5
ELECTRICAL 1 JU7-300101~	D10
ELECTRICAL 1 ~JU7-300100	D9
ELECTRICAL 2	D11-12
ENGINE ASSEMBLY	A4
ENGINE BRACKET	B1
EXHAUST	A11
FRAME	B3
FRONT SUSPENSION WHEEL	B4-5
FUEL TANK JU7-300301~	B9
FUEL TANK ~JU7-300300	B8
GOVERNOR	C3
HEADLIGHT	D8
INTAKE	A9
PRIMARY SHEAVE	C4
REAR ARM SUSPENSION	B2
REAR AXLE MOUNT WHEEL	C9
SEAT	D5
SECONDARY SHEAVE	C5
SHIFTER CABLES	C10
STARTING MOTOR	D6-7
STEERING	B6-7
TRANSMISSION 1	C6-8
~MODELS IN THIS CATALOG	E1

BRAKE 2

Ref. No.	Part Number	Description	Qty	Remarks
1	JN6-F7290-03-00	BACKING PLATE, LEFT	1	(L.H)
2	JN6-F5331-01-00	. SHOE, BRAKE SET	1	(FOR ONE WHEEL)
3	JN6-F819G-00-00	. REPAIR PARTS KIT	1	
4	JN6-F7286-00-00	. COVER, DUST	1	
5	JN6-F722E-00-00	. LEVER ADJUSTER (LH)	1	



CONTENTS

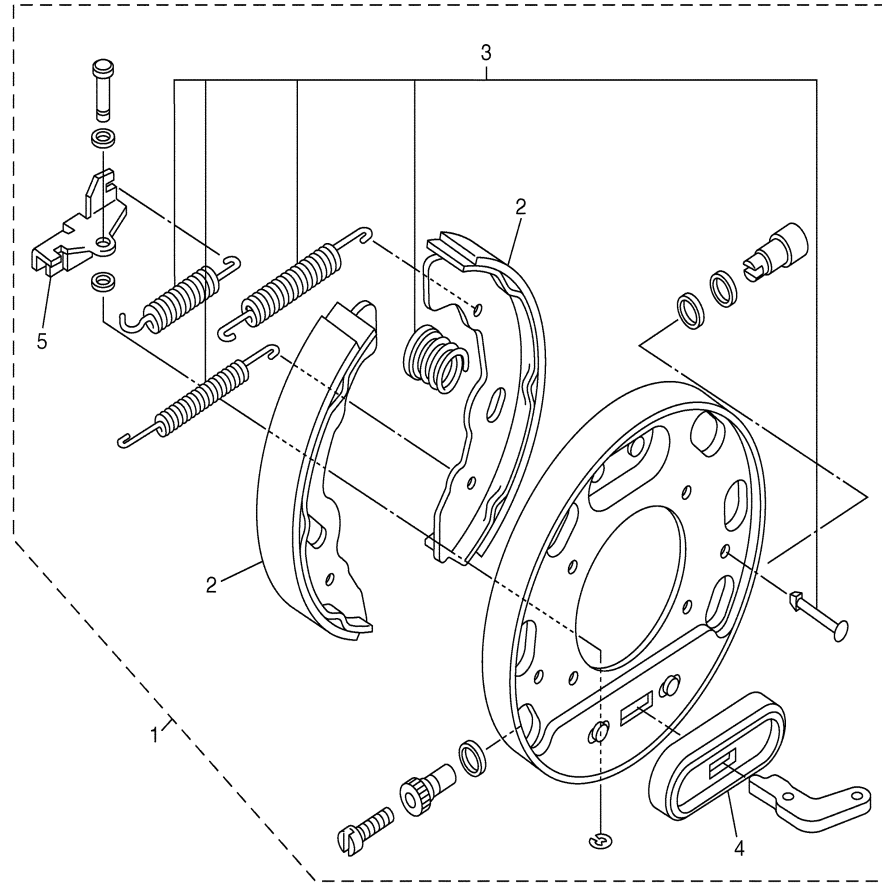
ACCELERATOR	C2
AIR SHROUD FAN	A8
BODY 1	C12 ,D1
BODY 2	D2
BODY FITTING	D3
BRAKE 1	B10-11
BRAKE 2	B12
BRAKE 3	C1
BUMPER	C11
CAMSHAFT VALVE	A7
CARBURETOR	A10
CARRIER	D4
CRANKCASE	A12
CRANKSHAFT PISTON	A6
CYLINDER HEAD	A5
ELECTRICAL 1 JU7-300101~	D10
ELECTRICAL 1 ~JU7-300100	D9
ELECTRICAL 2	D11-12
ENGINE ASSEMBLY	A4
ENGINE BRACKET	B1
EXHAUST	A11
FRAME	B3
FRONT SUSPENSION WHEEL	B4-5
FUEL TANK JU7-300301~	B9
FUEL TANK ~JU7-300300	B8
GOVERNOR	C3
HEADLIGHT	D8
INTAKE	A9
PRIMARY SHEAVE	C4
REAR ARM SUSPENSION	B2
REAR AXLE MOUNT WHEEL	C9
SEAT	D5
SECONDARY SHEAVE	C5
SHIFTER CABLES	C10
STARTING MOTOR	D6-7
STEERING	B6-7
TRANSMISSION 1	C6-8
~MODELS IN THIS CATALOG	E1



JT71010-B160

BRAKE 3

Ref. No.	Part Number	Description	Qty	Remarks
1	JN6-F7280-03-00	BACKING PLATE, (RH)	1	(R.H)
2	JN6-F5331-01-00	. SHOE, BRAKE SET	2	(FOR ONE WHEEL)
3	JN6-F819G-00-00	. REPAIR PARTS KIT	1	
4	JN6-F7286-00-00	. COVER, DUST	1	
5	JN6-F722F-00-00	. LEVER, ADJUSTER (RH)	1	



CONTENTS

ACCELERATOR	C2
AIR SHROUD FAN	A8
BODY 1	C12 ,D1
BODY 2	D2
BODY FITTING	D3
BRAKE 1	B10-11
BRAKE 2	B12
BRAKE 3	C1
BUMPER	C11
CAMSHAFT VALVE	A7
CARBURETOR	A10
CARRIER	D4
CRANKCASE	A12
CRANKSHAFT PISTON	A6
CYLINDER HEAD	A5
ELECTRICAL 1 JU7-300101~	D10
ELECTRICAL 1 ~JU7-300100	D9
ELECTRICAL 2	D11-12
ENGINE ASSEMBLY	A4
ENGINE BRACKET	B1
EXHAUST	A11
FRAME	B3
FRONT SUSPENSION WHEEL	B4-5
FUEL TANK JU7-300301~	B9
FUEL TANK ~JU7-300300	B8
GOVERNOR	C3
HEADLIGHT	D8
INTAKE	A9
PRIMARY SHEAVE	C4
REAR ARM SUSPENSION	B2
REAR AXLE MOUNT WHEEL	C9
SEAT	D5
SECONDARY SHEAVE	C5
SHIFTER CABLES	C10
STARTING MOTOR	D6-7
STEERING	B6-7
TRANSMISSION 1	C6-8
~MODELS IN THIS CATALOG	E1



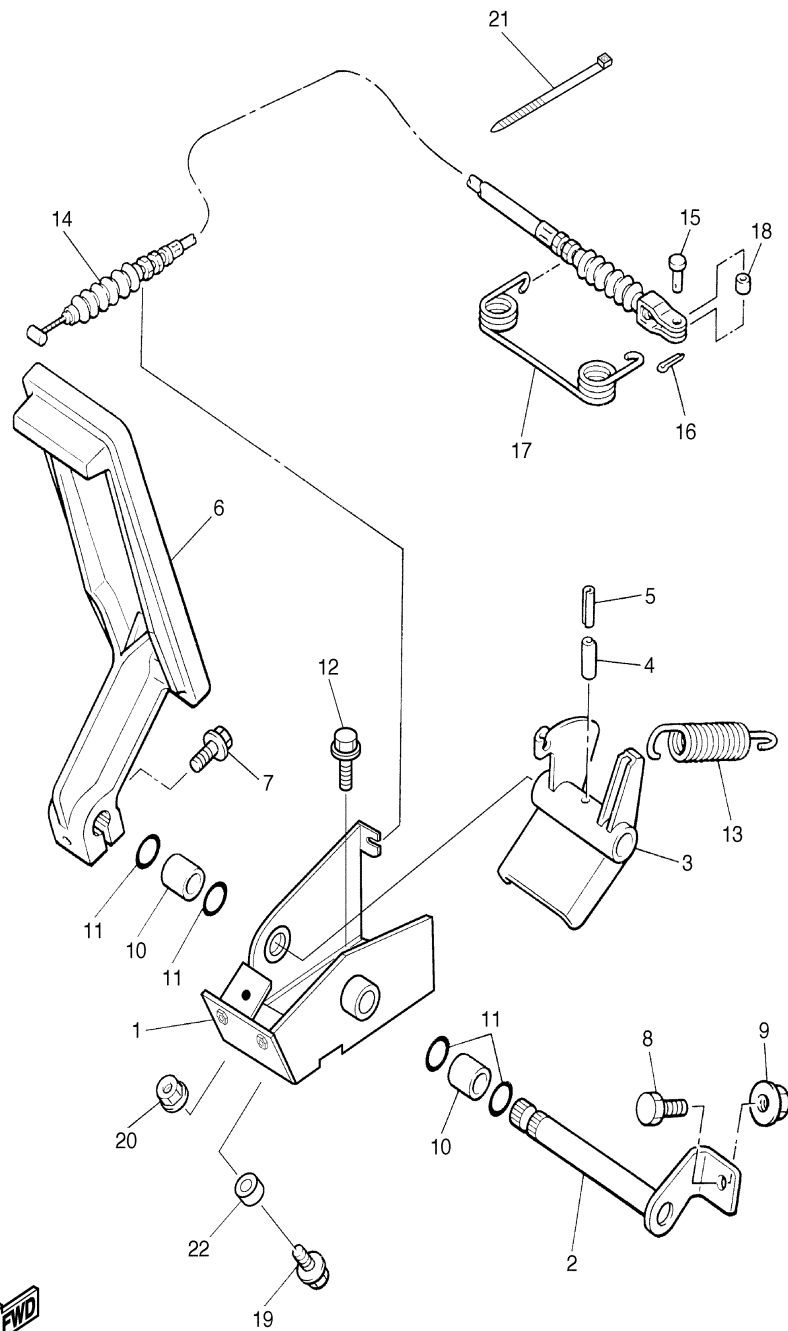
JT71010-B170

ACCELERATOR

Ref. No.	Part Number	Description	Qty	Remarks
1	JN6-F7874-01-00	BRACKET, PEDAL	1	
2	J17-27853-01-00	SHAFT, PEDAL	1	
3	J38-27872-00-00	ARM, ACCELERATOR	1	
4	91609-60028-00	PIN, SPRING	1	
5	91609-35028-00	PIN, SPRING	1	
6	J10-27871-01-00	PEDAL, ACCELERATOR	1	
7	95807-06025-00	BOLT, FLANGE	1	
8	90106-08806-00	BOLT	1	
9	95707-08500-00	NUT, FLANGE	1	
10	90384-14080-00	BUSH, BIMETAL	2	
11	93210-14104-00	O-RING	4	
12	90105-08878-00	BOLT, FLANGE	3	
13	90506-26282-00	SPRING, TENSION	1	
14	JN3-F6311-00-00	CABLE, THROTTLE	1	~JU7-300100
	JU0-F6311-00-00	CABLE, THROTTLE 1	1	JU7-300101~
15	91701-05012-00	PIN, CLEVIS	1	~JU7-300100
	91701-05014-00	PIN, CLEVIS	1	JU7-300101~
16	90468-10049-00	CLIP	1	
17	90508-16460-00	SPRING, TORSION	1	
18	90560-05001-00	SPACER	1	
19	95807-06025-00	BOLT, FLANGE	1	
20	95707-06500-00	NUT, FLANGE	1	
21	90464-40825-00	CLAMP	2	
22	90387-068T4-00	COLLAR	1	

CONTENTS

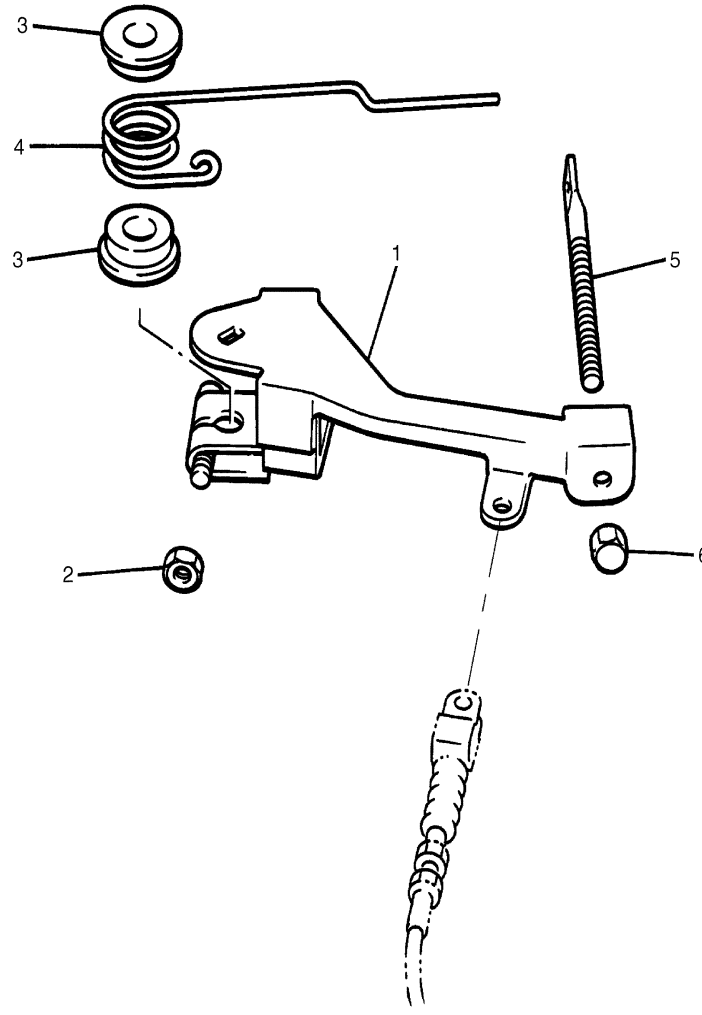
ACCELERATOR	C2
AIR SHROUD FAN	A8
BODY 1	C12 ,D1
BODY 2	D2
BODY FITTING	D3
BRAKE 1	B10-11
BRAKE 2	B12
BRAKE 3	C1
BUMPER	C11
CAMSHAFT VALVE	A7
CARBURETOR	A10
CARRIER	D4
CRANKCASE	A12
CRANKSHAFT PISTON	A6
CYLINDER HEAD	A5
ELECTRICAL 1 JU7-300101~	D10
ELECTRICAL 1 ~JU7-300100	D9
ELECTRICAL 2	D11-12
ENGINE ASSEMBLY	A4
ENGINE BRACKET	B1
EXHAUST	A11
FRAME	B3
FRONT SUSPENSION WHEEL	B4-5
FUEL TANK JU7-300301~	B9
FUEL TANK ~JU7-300300	B8
GOVERNOR	C3
HEADLIGHT	D8
INTAKE	A9
PRIMARY SHEAVE	C4
REAR ARM SUSPENSION	B2
REAR AXLE MOUNT WHEEL	C9
SEAT	D5
SECONDARY SHEAVE	C5
SHIFTER CABLES	C10
STARTING MOTOR	D6-7
STEERING	B6-7
TRANSMISSION 1	C6-8
~MODELS IN THIS CATALOG	E1



JT71010-B180

GOVERNOR

Ref. No.	Part Number	Description	Qty	Remarks
1	J38-27951-00-00	LEVER, SPEED	1	
2	95307-06600-00	NUT, HEX	1	
3	90386-08141-00	BUSH	2	
4	90508-40678-00	SPRING, TORSION	1	
5	J38-27959-00-00	SCREW, ADJUSTING	1	
6	9560P-06200-00	NUT, FLANGE	1	



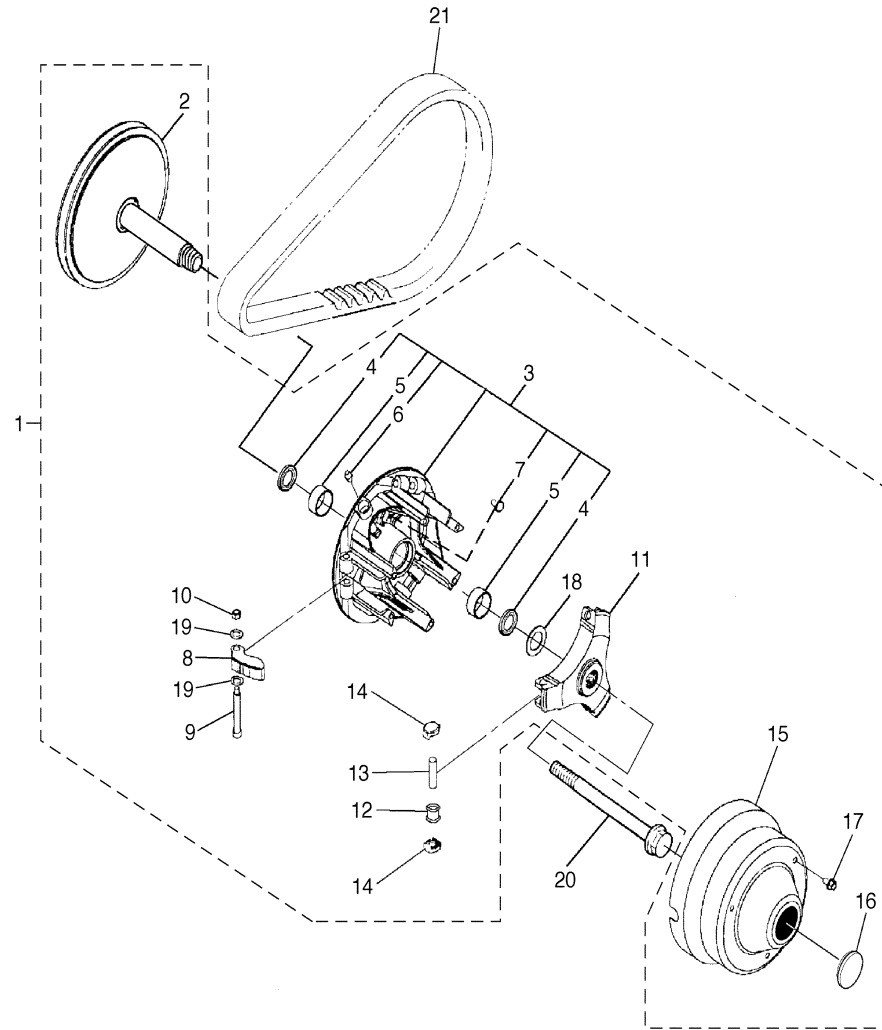
CONTENTS

ACCELERATOR	C2
AIR SHROUD FAN	A8
BODY 1	C12 ,D1
BODY 2	D2
BODY FITTING	D3
BRAKE 1	B10-11
BRAKE 2	B12
BRAKE 3	C1
BUMPER	C11
CAMSHAFT VALVE	A7
CARBURETOR	A10
CARRIER	D4
CRANKCASE	A12
CRANKSHAFT PISTON	A6
CYLINDER HEAD	A5
ELECTRICAL 1 JU7-300101~	D10
ELECTRICAL 1 ~JU7-300100	D9
ELECTRICAL 2	D11-12
ENGINE ASSEMBLY	A4
ENGINE BRACKET	B1
EXHAUST	A11
FRAME	B3
FRONT SUSPENSION WHEEL	B4-5
FUEL TANK JU7-300301~	B9
FUEL TANK ~JU7-300300	B8
GOVERNOR	C3
HEADLIGHT	D8
INTAKE	A9
PRIMARY SHEAVE	C4
REAR ARM SUSPENSION	B2
REAR AXLE MOUNT WHEEL	C9
SEAT	D5
SECONDARY SHEAVE	C5
SHIFTER CABLES	C10
STARTING MOTOR	D6-7
STEERING	B6-7
TRANSMISSION 1	C6-8
~MODELS IN THIS CATALOG	E1



JT71010-B190

PRIMARY SHEAVE



Ref. No.	Part Number	Description	Qty	Remarks
1	JN6-G6201-04-00	PRIMARY FIXED SHEAVE ASSY	1	
2	JN6-G6210-00-00	. PRIMARY FIXED SHEAVE ...	1	
3	JN6-G6220-00-00	. PRIMARY SLIDING SHEAVE .	1	
4	93101-28831-00	.. OIL SEAL	2	
5	90384-27823-00	.. BUSH, BIMETAL	2	
6	93700-06810-00	.. NIPPLE, GREASE	1	
7	90338-04840-00	.. PLUG	3	
8	JN6-G6232-01-00	. WEIGHT 1	3	
9	90109-06860-00	. BOLT	3	
10	90185-06834-00	. NUT, SELF-LOCKING	3	
11	JN6-G6251-01-00	. SPIDER	1	
12	JN6-G6258-02-00	. ROLLER	3	
13	93610-358A3-00	. PIN, DOWEL	3	
14	JN6-G6253-00-00	. SLIDER	6	
15	JU0-G6231-00-00	. CAP	1	
16	JU0-G6297-00-00	. COVER, DUST	1	
17	90105-06861-00	. BOLT, FLANGE	3	
18	90201-228K5-00	. WASHER, PLAIN	1	
19	JN6-G621F-00-00	. SHIM, THRUST	6	
20	JN6-G6249-00-00	BOLT	1	
21	J55-G6241-00-00	V-BELT	1	

CONTENTS

ACCELERATOR	C2
AIR SHROUD FAN	A8
BODY 1	C12 ,D1
BODY 2	D2
BODY FITTING	D3
BRAKE 1	B10-11
BRAKE 2	B12
BRAKE 3	C1
BUMPER	C11
CAMSHAFT VALVE	A7
CARBURETOR	A10
CARRIER	D4
CRANKCASE	A12
CRANKSHAFT PISTON	A6
CYLINDER HEAD	A5
ELECTRICAL 1 JU7-300101~	D10
ELECTRICAL 1 ~JU7-300100	D9
ELECTRICAL 2	D11-12
ENGINE ASSEMBLY	A4
ENGINE BRACKET	B1
EXHAUST	A11
FRAME	B3
FRONT SUSPENSION WHEEL	B4-5
FUEL TANK JU7-300301~	B9
FUEL TANK ~JU7-300300	B8
GOVERNOR	C3
HEADLIGHT	D8
INTAKE	A9
PRIMARY SHEAVE	C4
REAR ARM SUSPENSION	B2
REAR AXLE MOUNT WHEEL	C9
SEAT	D5
SECONDARY SHEAVE	C5
SHIFTER CABLES	C10
STARTING MOTOR	D6-7
STEERING	B6-7
TRANSMISSION 1	C6-8
~MODELS IN THIS CATALOG	E1



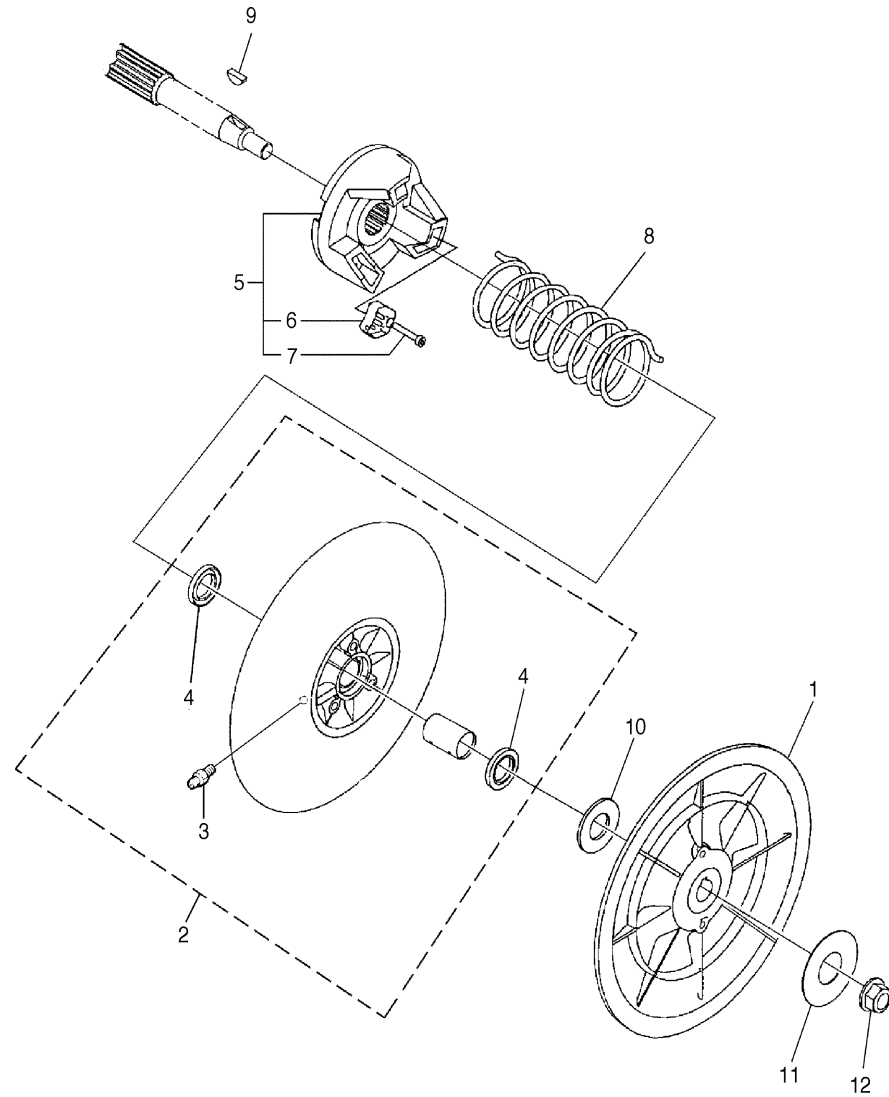
JT71010-B200

SECONDARY SHEAVE

Ref. No.	Part Number	Description	Qty	Remarks
1	JN6-G6260-00-00	SECONDARY FIXED SHEAVE .	1	
2	JN6-G6270-01-KT	SECONDARY SLIDING SHEAVE	1	INCLUDES BUSHING
3	93700-06809-00	. NIPPLE, GREASE	1	
4	93109-20069-00	. OIL SEAL	2	
5	JN6-G6280-00-00	SECONDARY SPRING SEAT COMP.	1	
6	JN6-E7688-00-00	. SHOE, RAMP	3	
7	90110-04834-00	. BOLT, HEXAGON SOCKET . .	3	
8	90508-45849-00	SPRING, TORSION (L=135MM +/- 1.5)	1	
9	90280-05022-00	KEY, WOODRUFF	1	
10	90202-20130-00	WASHER	1	
11	90201-128S5-00	WASHER, PLATE	1	
12	95607-12200-00	NUT, U-FLANGE	1	

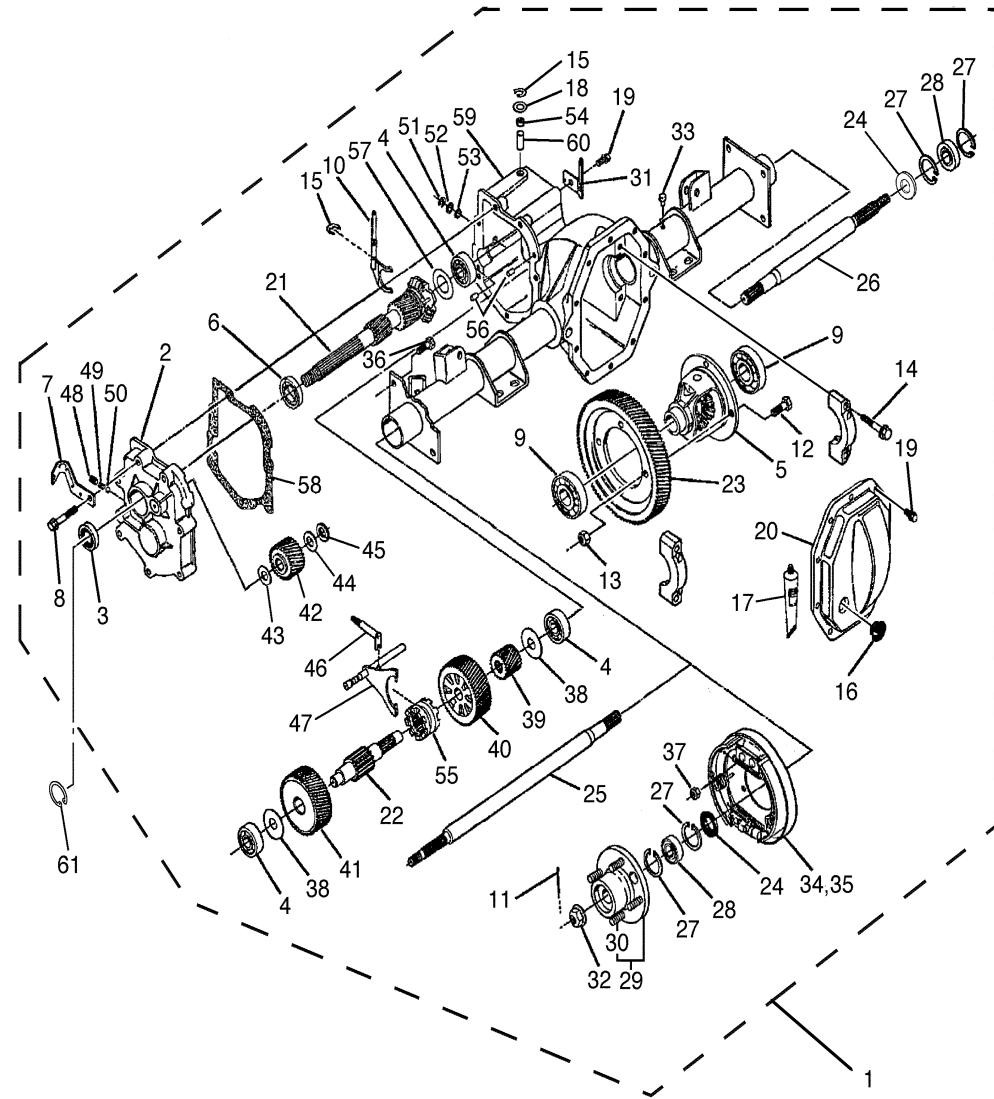
CONTENTS

ACCELERATOR	C2
AIR SHROUD FAN	A8
BODY 1	C12 ,D1
BODY 2	D2
BODY FITTING	D3
BRAKE 1	B10-11
BRAKE 2	B12
BRAKE 3	C1
BUMPER	C11
CAMSHAFT VALVE	A7
CARBURETOR	A10
CARRIER	D4
CRANKCASE	A12
CRANKSHAFT PISTON	A6
CYLINDER HEAD	A5
ELECTRICAL 1 JU7-300101~	D10
ELECTRICAL 1 ~JU7-300100	D9
ELECTRICAL 2	D11-12
ENGINE ASSEMBLY	A4
ENGINE BRACKET	B1
EXHAUST	A11
FRAME	B3
FRONT SUSPENSION WHEEL	B4-5
FUEL TANK JU7-300301~	B9
FUEL TANK ~JU7-300300	B8
GOVERNOR	C3
HEADLIGHT	D8
INTAKE	A9
PRIMARY SHEAVE	C4
REAR ARM SUSPENSION	B2
REAR AXLE MOUNT WHEEL	C9
SEAT	D5
SECONDARY SHEAVE	C5
SHIFTER CABLES	C10
STARTING MOTOR	D6-7
STEERING	B6-7
TRANSMISSION 1	C6-8
~MODELS IN THIS CATALOG	E1



JT71010-B210

TRANSMISSION 1



JW41110-C230

G27AZ_AZ_AC

Ref. No.	Part Number	Description	Qty	Remarks
1	JN6-G6300-04-00	TRANSAXLE ASSEMBLY	1	
2	JN3-G6313-00-00	COVER, TRANSMISSION	1	
3	93102-25868-00	OIL SEAL	1	
4	93306-303Y6-00	BEARING	3	
5	JN6-G6410-00-00	DIFFERENTIAL ASSEMBLY	1	
6	93306-005Y4-00	BEARING	1	
7	JN6-G6555-00-00	BRACKET 2	1	
8	90105-08859-00	BOLT, FLANGE	7	
9	93306-007Y0-00	BEARING	2	
10	JN3-G633E-01-00	BAR 1	1	
11	91490-25025-00	PIN, COTTER	2	
12	90101-10854-00	BOLT, HEX	4	
13	90170-10840-00	NUT, HEX	4	
14	90105-10840-00	BOLT, FLANGE	4	
15	JU0-F722H-00-00	RETAINER	2	
16	JN3-G6432-00-00	STOPPER	1	
17	ACC-11001-05-01	SEALANT 2 (JH7-G6137-00-00)	1	NOT INCL. WITH TRANSEXLE
18	JU0-F723F-00-00	WASHER, SPECIAL	1	
19	90101-08856-00	BOLT, HEX	11	
20	JN3-G6314-00-00	COVER, TRANSMISSION	1	
21	JN3-G6320-01-00	INPUT SHAFT ASSY	1	
22	JN3-G633G-00-00	SHAFT	1	
23	JN3-G6355-00-00	GEAR, PRIMARY	1	
24	93101-24822-00	OIL SEAL	2	
25	JN3-G6511-00-00	SHAFT, REAR AXLE	1	
26	JN3-G6512-00-00	SHAFT, REAR AXLE	1	
27	93420-44805-00	CIRCLIP	4	
28	93306-004X5-00	BEARING	2	
29	JN3-G6514-00-00	HUB, REAR AXLE	2	

CONTENTS

ACCELERATOR	C2
AIR SHROUD FAN	A8
BODY 1	C12, D1
BODY 2	D2
BODY FITTING	D3
BRAKE 1	B10-11
BRAKE 2	B12
BRAKE 3	C1
BUMPER	C11
CAMSHAFT VALVE	A7
CARBURETOR	A10
CARRIER	D4
CRANKCASE	A12
CRANKSHAFT PISTON	A6
CYLINDER HEAD	A5
ELECTRICAL 1 JU7-300101~	D10
ELECTRICAL 1 ~JU7-300100	D9
ELECTRICAL 2	D11-12
ENGINE ASSEMBLY	A4
ENGINE BRACKET	B1
EXHAUST	A11
FRAME	B3
FRONT SUSPENSION WHEEL	B4-5
FUEL TANK JU7-300301~	B9
FUEL TANK ~JU7-300300	B8
GOVERNOR	C3
HEADLIGHT	D8
INTAKE	A9
PRIMARY SHEAVE	C4
REAR ARM SUSPENSION	B2
REAR AXLE MOUNT WHEEL	C9
SEAT	D5
SECONDARY SHEAVE	C5
SHIFTER CABLES	C10
STARTING MOTOR	D6-7
STEERING	B6-7
TRANSMISSION 1	C6-8
~MODELS IN THIS CATALOG	E1

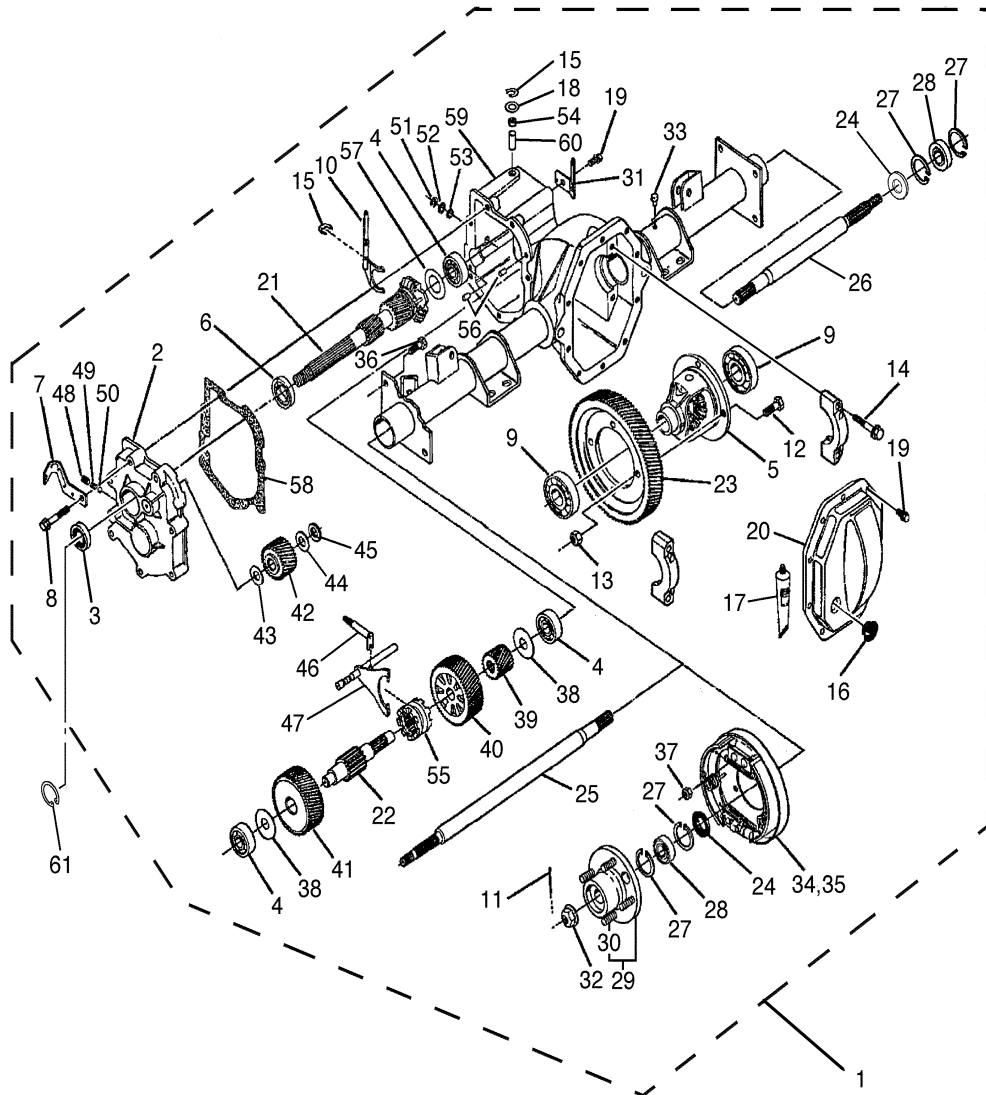
CONTINUED ON NEXT FRAME ➤

TRANSMISSION 1

Ref. No.	Part Number	Description	Qty	Remarks
30	90114-12804-00	. . BOLT, SERRATION	4	
31	JN3-G6556-00-00	. BRACKET	1	
32	90185-16833-00	. NUT, SELF-LOCKING	2	
33	JH7-G5619-00-00	. CAP	1	
34	JN6-F7290-03-00	. BACKING PLATE, LEFT	1	SEE BRAKE 2 (L.H)
35	JN6-F7280-03-00	. BACKING PLATE, (RH)	1	SEE BRAKE 3 (R.H)
36	90101-08855-00	. BOLT, HEX	8	
37	90170-08841-00	. NUT, HEX	8	
38	90201-178H8-00	. WASHER, PLAIN	2	
39	JN3-G6316-00-00	. GEAR, PINION	1	
40	JN3-G6326-00-00	. GEAR, WHEEL	1	
41	JN3-G6327-00-00	. GEAR, WHEEL	1	
42	JN3-G6356-00-00	. GEAR, IDLER	1	
43	90201-208H9-00	. WASHER, PLATE	1	
44	90201-208J0-00	. WASHER, PLATE	1	
45	93440-20813-00	. CIRCLIP	1	
46	JN3-G638A-00-00	. BAR, SHIFT	1	
47	JN6-G638E-00-00	. BAR, SHIFT 2	1	
48	90113-08803-00	. BOLT, SET	1	
49	90501-10852-00	. SPRING, COMPRESSION	1	
50	93500-06826-00	. BALL	1	
51	93410-12822-00	. CIRCLIP	1	
52	90202-12807-00	. WASHER, PLAIN	1	
53	93104-11829-00	. OIL SEAL	1	
54	93109-10820-00	. OIL SEAL	1	
55	JN3-G6153-00-00	. COLLAR, GUIDE	1	
56	93606-10842-00	. PIN, DOWEL	2	
57	JN3-G6344-00-00	. SHIM, 0.76MM (0.030IN)	1	UR
	JN3-G6344-10-00	. SHIM, 0.90MM (0.035IN)	1	UR
	JN3-G6344-20-00	. SHIM, 1.00MM (0.040IN)	1	UR

CONTENTS

ACCELERATOR	C2
AIR SHROUD FAN	A8
BODY 1	C12 ,D1
BODY 2	D2
BODY FITTING	D3
BRAKE 1	B10-11
BRAKE 2	B12
BRAKE 3	C1
BUMPER	C11
CAMSHAFT VALVE	A7
CARBURETOR	A10
CARRIER	D4
CRANKCASE	A12
CRANKSHAFT PISTON	A6
CYLINDER HEAD	A5
ELECTRICAL 1 JU7-300101~	D10
ELECTRICAL 1 ~JU7-300100	D9
ELECTRICAL 2	D11-12
ENGINE ASSEMBLY	A4
ENGINE BRACKET	B1
EXHAUST	A11
FRAME	B3
FRONT SUSPENSION WHEEL	B4-5
FUEL TANK JU7-300301~	B9
FUEL TANK ~JU7-300300	B8
GOVERNOR	C3
HEADLIGHT	D8
INTAKE	A9
PRIMARY SHEAVE	C4
REAR ARM SUSPENSION	B2
REAR AXLE MOUNT WHEEL	C9
SEAT	D5
SECONDARY SHEAVE	C5
SHIFTER CABLES	C10
STARTING MOTOR	D6-7
STEERING	B6-7
TRANSMISSION 1	C6-8
~MODELS IN THIS CATALOG	E1



JW41110-C230

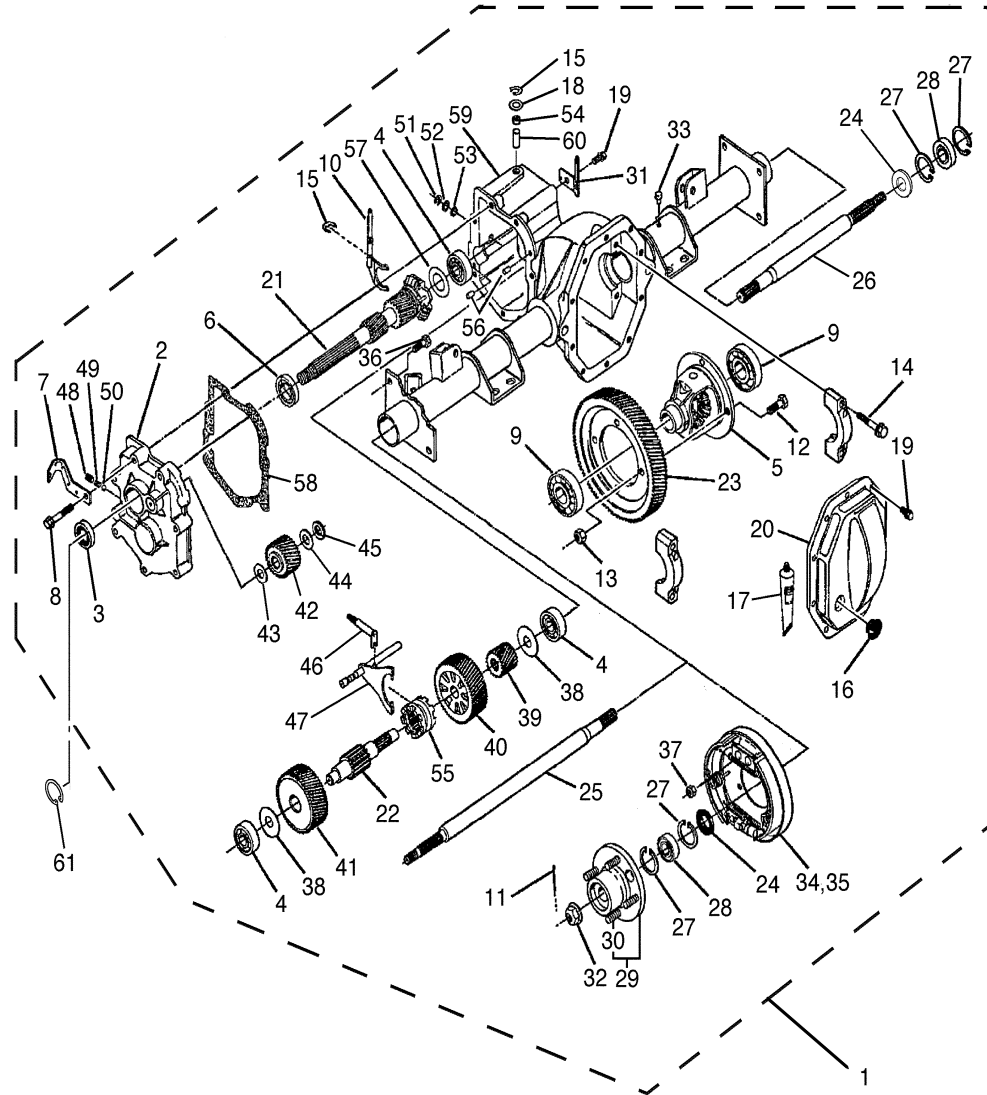
CONTINUED ON NEXT FRAME ►

TRANSMISSION 1

Ref. No.	Part Number	Description	Qty	Remarks
57	JN3-G6344-30-00	. SHIM, 1.14MM (0.045IN)	1	UR
	JN3-G6344-40-00	. SHIM, 1.27MM (0.050IN)	1	UR
	JN3-G6344-50-00	. SHIM, 1.39MM (0.055IN)	1	UR
	JN3-G6344-60-00	. SHIM, 1.52MM (0.060IN)	1	UR
	JN3-G6344-70-00	. SHIM, 1.65MM (0.065IN)	1	UR
	JN3-G6344-80-00	. SHIM, 0.38MM (0.015IN)	1	UR
	JN3-G6344-90-00	. SHIM, 1.78MM (0.070IN)	1	UR
	JN3-G6344-A0-00	. SHIM, 1.92MM (0.075IN)	1	UR
	JN3-G6344-B0-00	. SHIM, 2.03MM (0.080IN)	1	UR
	JN3-G6344-C0-00	. SHIM, 2.12MM (0.085IN)	1	UR
	JN3-G6344-D0-00	. SHIM, 2.29MM (0.090IN)	1	UR
58	JN3-G6319-00-00	. GASKET	1	
59	JN3-G6290-01-00	. CASE ASSY	1	
60	JU0-G6164-00-00	. BEARING 1	1	
61	93410-25017-00	. CIRCLIP	1	

CONTENTS

ACCELERATOR	C2
AIR SHROUD FAN	A8
BODY 1	C12 ,D1
BODY 2	D2
BODY FITTING	D3
BRAKE 1	B10-11
BRAKE 2	B12
BRAKE 3	C1
BUMPER	C11
CAMSHAFT VALVE	A7
CARBURETOR	A10
CARRIER	D4
CRANKCASE	A12
CRANKSHAFT PISTON	A6
CYLINDER HEAD	A5
ELECTRICAL 1 JU7-300101~	D10
ELECTRICAL 1 ~JU7-300100	D9
ELECTRICAL 2	D11-12
ENGINE ASSEMBLY	A4
ENGINE BRACKET	B1
EXHAUST	A11
FRAME	B3
FRONT SUSPENSION WHEEL	B4-5
FUEL TANK JU7-300301~	B9
FUEL TANK ~JU7-300300	B8
GOVERNOR	C3
HEADLIGHT	D8
INTAKE	A9
PRIMARY SHEAVE	C4
REAR ARM SUSPENSION	B2
REAR AXLE MOUNT WHEEL	C9
SEAT	D5
SECONDARY SHEAVE	C5
SHIFTER CABLES	C10
STARTING MOTOR	D6-7
STEERING	B6-7
TRANSMISSION 1	C6-8
~MODELS IN THIS CATALOG	E1



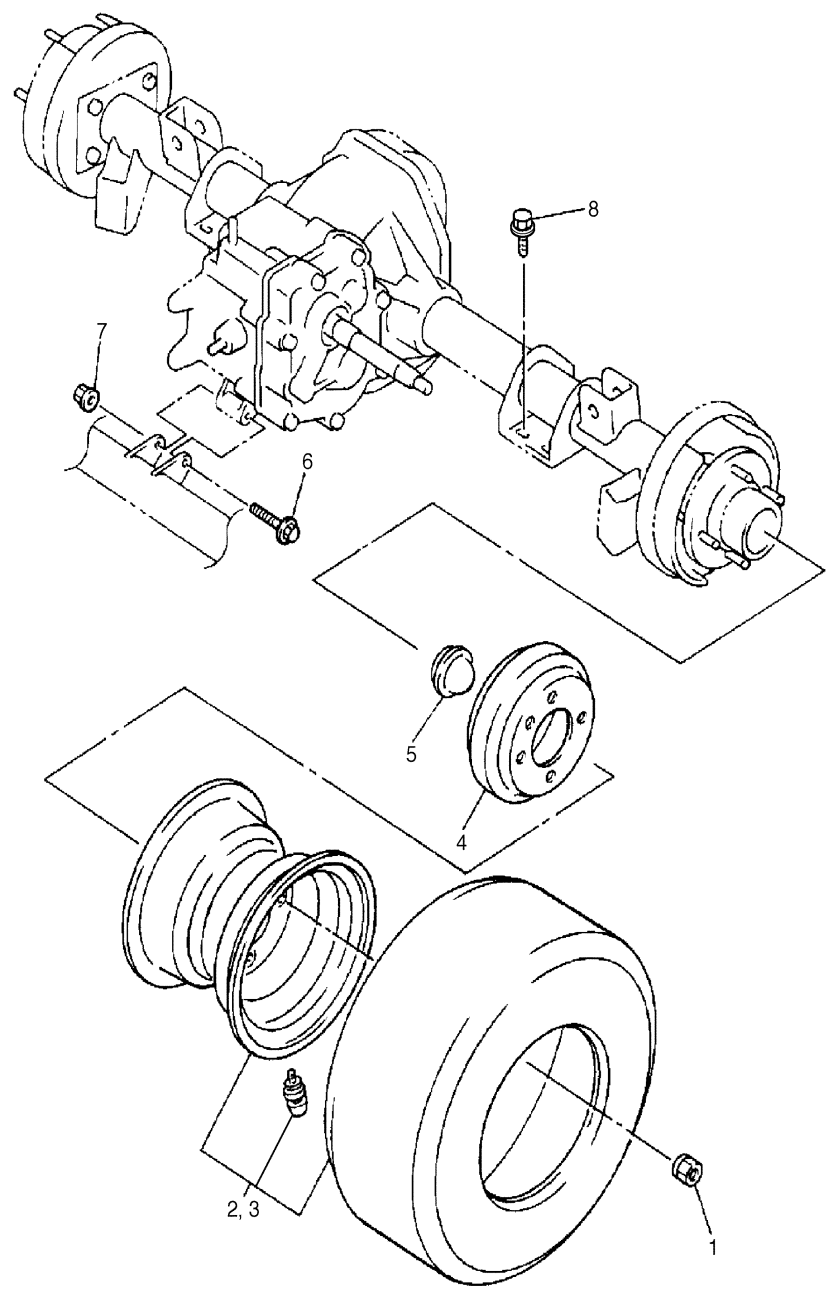
JW41110-C230

REAR AXLE MOUNT WHEEL

Ref. No.	Part Number	Description	Qty	Remarks
1	90179-12262-00	NUT	8	
2	JU7-F5100-00-00	WHEEL ASSY (20X10-8 4PLY 224)	1	UR DURO TURF, LH
	JU7-F5100-10-00	WHEEL ASSY (20X10-8/4/244) .	1	UR DURO DESERT, LH
3	JU7-F5100-00-00	WHEEL ASSY (20X10-8 4PLY 224)	1	UR DURO TURF, RH
	JU7-F5109-10-00	WHEEL ASSY, 2 (20X10-8/4/244)	1	UR DURO DESERT, RH
4	J55-G6521-10-00	DRUM	2	
5	JN6-F5118-00-00	COVER, HUB DUST	2	
6	9581P-08075-00	BOLT, FLANGE	1	
7	95707-08500-00	NUT, FLANGE	1	
8	9751P-10620-00	BOLT, WITH WASHER	8	

CONTENTS

ACCELERATOR	C2
AIR SHROUD FAN	A8
BODY 1	C12 ,D1
BODY 2	D2
BODY FITTING	D3
BRAKE 1	B10-11
BRAKE 2	B12
BRAKE 3	C1
BUMPER	C11
CAMSHAFT VALVE	A7
CARBURETOR	A10
CARRIER	D4
CRANKCASE	A12
CRANKSHAFT PISTON	A6
CYLINDER HEAD	A5
ELECTRICAL 1 JU7-300101~	D10
ELECTRICAL 1 ~JU7-300100	D9
ELECTRICAL 2	D11-12
ENGINE ASSEMBLY	A4
ENGINE BRACKET	B1
EXHAUST	A11
FRAME	B3
FRONT SUSPENSION WHEEL	B4-5
FUEL TANK JU7-300301~	B9
FUEL TANK ~JU7-300300	B8
GOVERNOR	C3
HEADLIGHT	D8
INTAKE	A9
PRIMARY SHEAVE	C4
REAR ARM SUSPENSION	B2
REAR AXLE MOUNT WHEEL	C9
SEAT	D5
SECONDARY SHEAVE	C5
SHIFTER CABLES	C10
STARTING MOTOR	D6-7
STEERING	B6-7
TRANSMISSION 1	C6-8
~MODELS IN THIS CATALOG	E1



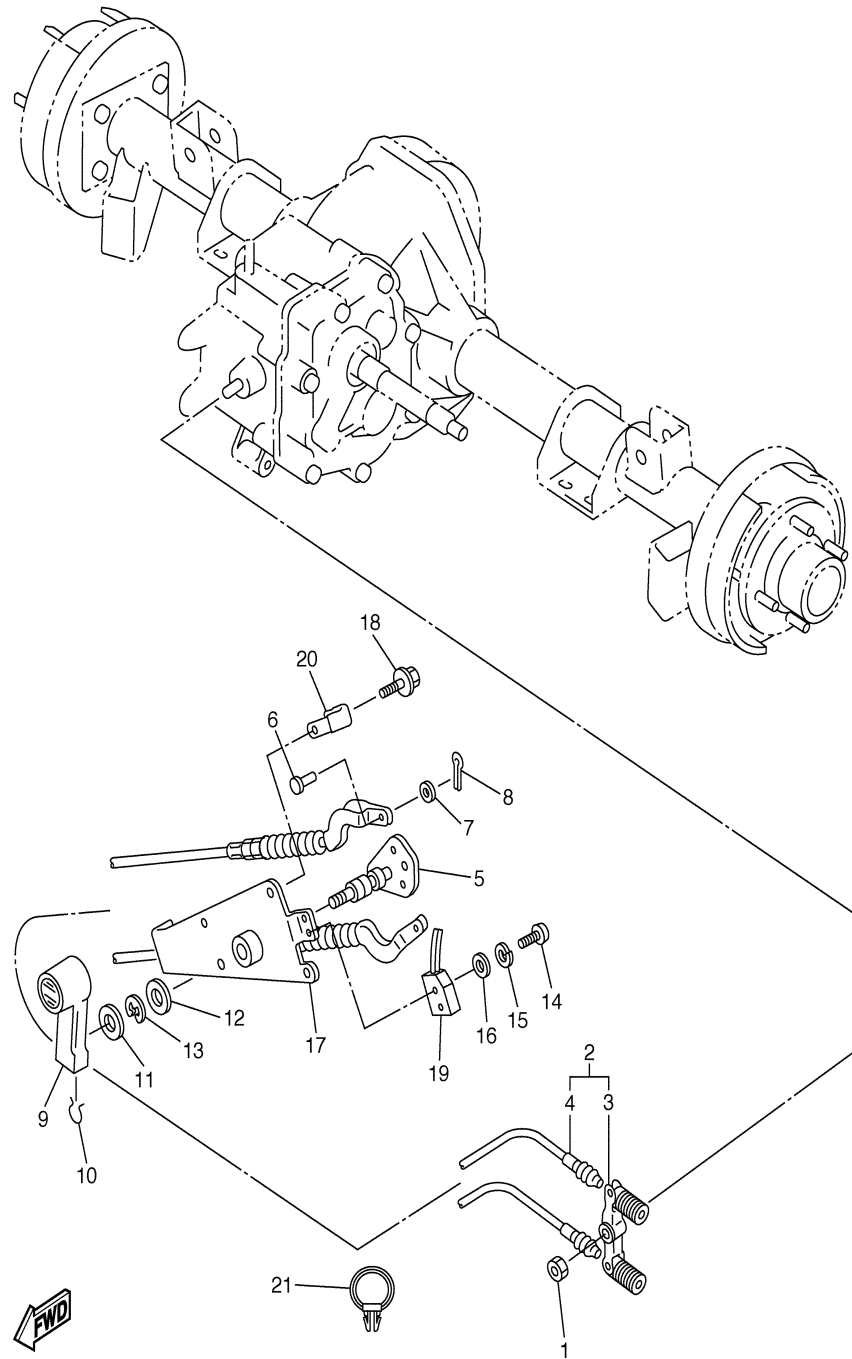
 JW41110-C240

SHIFTER CABLES

Ref. No.	Part Number	Description	Qty	Remarks
1	95607-08100-00	NUT, U	1	
2	JN3-G8330-00-00	CABLE, SHIFT	1	
3	J55-G6383-00-00	. LEVER, SHIFT	1	
4	JN3-G6371-00-00	. WIRE, SHIFT	2	
5	JF2-46382-00-00	LEVER, SHIFT	1	
6	91701-06014-00	PIN, CLEVIS	2	
7	9290P-06600-00	WASHER	2	
8	91401-20012-00	PIN, COTTER	2	
9	JN3-G6381-00-00	KNOB, SHIFT	1	
10	JN3-G6376-00-00	SPRING, SET	1	
11	90201-208S8-00	WASHER, PLATE	1	
12	90201-198S7-00	WASHER, PLATE	1	
13	99009-19400-00	CIRCLIP	1	
14	98507-04016-00	SCREW, PAN HEAD	2	
15	92907-04100-00	WASHER, SPRING	2	
16	92907-04600-00	WASHER	2	
17	JN3-G6372-00-00	BRACKET, SHIFT	1	
18	90105-06876-00	BOLT, FLANGE	4	
19	JN3-82617-01-00	SWITCH	1	
20	90465-06038-00	CLAMP	1	
21	90464-19815-00	CLAMP	2	

CONTENTS

ACCELERATOR	C2
AIR SHROUD FAN	A8
BODY 1	C12 ,D1
BODY 2	D2
BODY FITTING	D3
BRAKE 1	B10-11
BRAKE 2	B12
BRAKE 3	C1
BUMPER	C11
CAMSHAFT VALVE	A7
CARBURETOR	A10
CARRIER	D4
CRANKCASE	A12
CRANKSHAFT PISTON	A6
CYLINDER HEAD	A5
ELECTRICAL 1 JU7-300101~	D10
ELECTRICAL 1 ~JU7-300100	D9
ELECTRICAL 2	D11-12
ENGINE ASSEMBLY	A4
ENGINE BRACKET	B1
EXHAUST	A11
FRAME	B3
FRONT SUSPENSION WHEEL	B4-5
FUEL TANK JU7-300301~	B9
FUEL TANK ~JU7-300300	B8
GOVERNOR	C3
HEADLIGHT	D8
INTAKE	A9
PRIMARY SHEAVE	C4
REAR ARM SUSPENSION	B2
REAR AXLE MOUNT WHEEL	C9
SEAT	D5
SECONDARY SHEAVE	C5
SHIFTER CABLES	C10
STARTING MOTOR	D6-7
STEERING	B6-7
TRANSMISSION 1	C6-8
~MODELS IN THIS CATALOG	E1



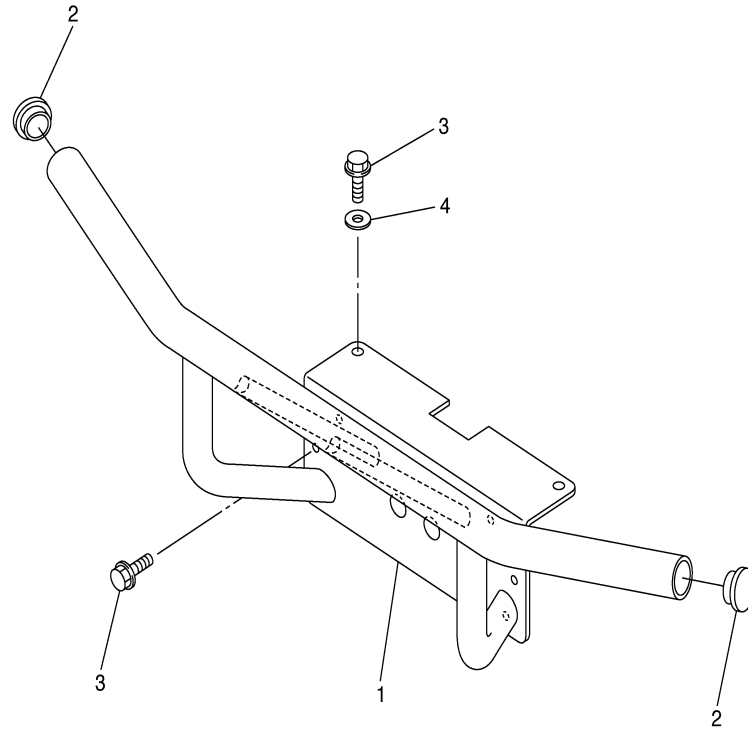
JT71010-B240

BUMPER

Ref. No.	Part Number	Description	Qty	Remarks
1	JU7-F845N-00-00	BAR, CARRY FRONT	1	
2	5UG-F2417-00-00	PLUG	2	
3	9581P-08016-00	BOLT, FLANGE	6	
4	90201-088P7-00	WASHER, PLATE	2	

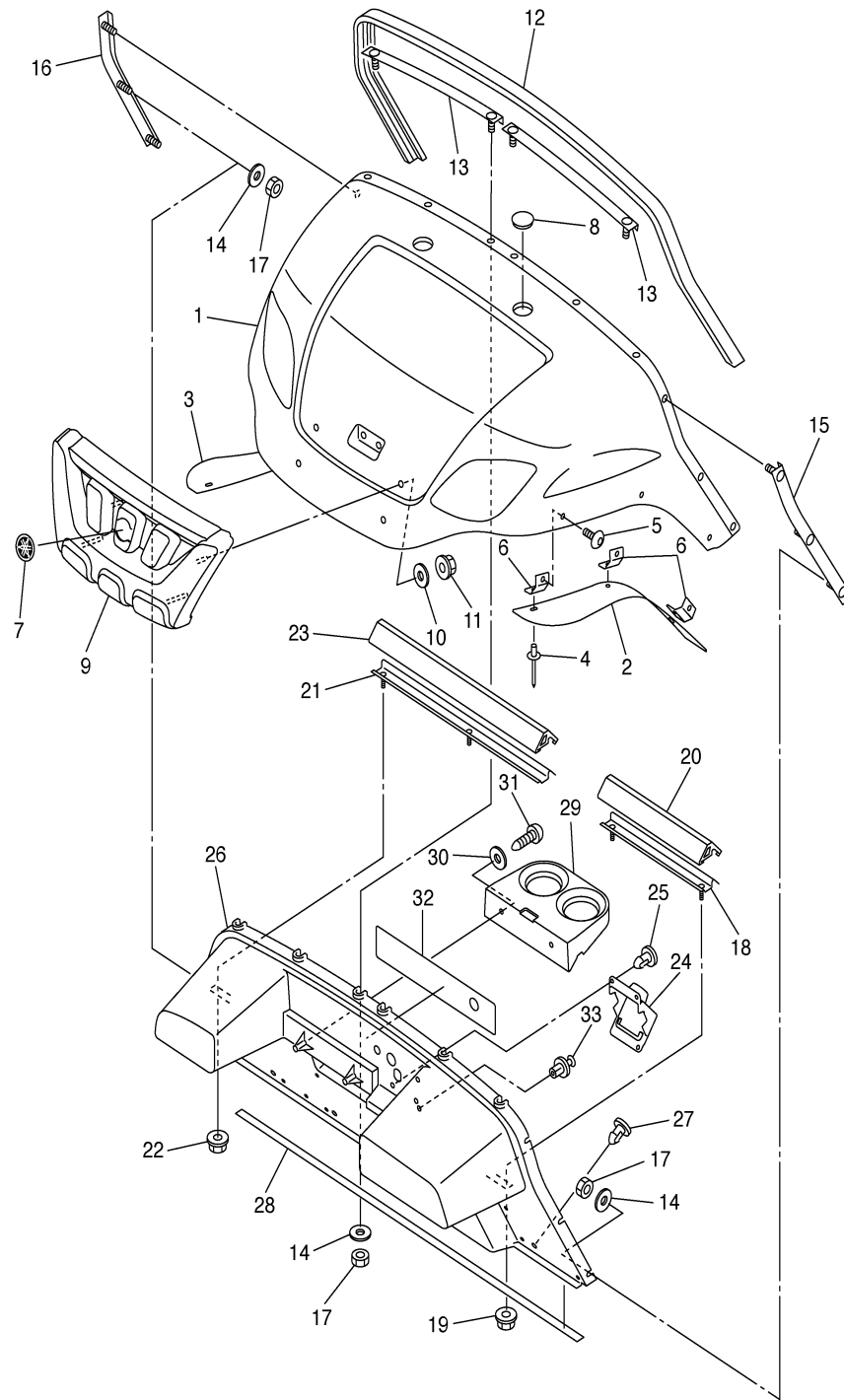
CONTENTS

ACCELERATOR	C2
AIR SHROUD FAN	A8
BODY 1	C12 ,D1
BODY 2	D2
BODY FITTING	D3
BRAKE 1	B10-11
BRAKE 2	B12
BRAKE 3	C1
BUMPER	C11
CAMSHAFT VALVE	A7
CARBURETOR	A10
CARRIER	D4
CRANKCASE	A12
CRANKSHAFT PISTON	A6
CYLINDER HEAD	A5
ELECTRICAL 1 JU7-300101~	D10
ELECTRICAL 1 ~JU7-300100	D9
ELECTRICAL 2	D11-12
ENGINE ASSEMBLY	A4
ENGINE BRACKET	B1
EXHAUST	A11
FRAME	B3
FRONT SUSPENSION WHEEL	B4-5
FUEL TANK JU7-300301~	B9
FUEL TANK ~JU7-300300	B8
GOVERNOR	C3
HEADLIGHT	D8
INTAKE	A9
PRIMARY SHEAVE	C4
REAR ARM SUSPENSION	B2
REAR AXLE MOUNT WHEEL	C9
SEAT	D5
SECONDARY SHEAVE	C5
SHIFTER CABLES	C10
STARTING MOTOR	D6-7
STEERING	B6-7
TRANSMISSION 1	C6-8
~MODELS IN THIS CATALOG	E1



JU71110-C260

BODY 1



Ref. No.	Part Number	Description	Qty	Remarks
1	JU7-K811A-00-00	COWL, FRONT	1	
2	JR6-F1551-00-00	FENDER, OVER	1	
3	JR6-F1555-00-00	FENDER, OVER 2	1	
4	90267-48831-00	RIVET, BLIND (90267-48101-00)	6	
5	90110-06836-00	BOLT, HEXAGON SOCKET HEAD	6	
6	JR6-F1546-00-00	STAY, FENDER 3	6	
7	5FU-F175B-01-00	TUNING FORK MARK	1	
8	JN3-K818E-00-00	CAP, PROTECTOR	2	
9	JU7-K8217-00-00	GRILLE, FRONT	1	
10	90201-05800-00	WASHER, PLATE	4	
11	95607-05200-00	NUT, U FLANGE	4	
12	JF2-K811V-00-00	PROTECTOR	1	
13	JU0-K8261-00-00	PLATE, BODY PROTECT 1	2	
14	90201-06829-00	WASHER, PLATE	10	
15	JF2-K8262-01-00	PLATE, BODY PROTECTOR	1	
16	JF2-K8263-01-00	PLATE, BODY PROTECTOR	1	
17	90185-06836-00	NUT, SELF-LOCKING	10	
18	JF2-K8264-00-00	PLATE, BODY PROTECTOR	1	
19	9560P-06200-00	NUT, FLANGE	2	
20	JF2-K811W-00-00	PROTECTOR 2	1	
21	JF2-K8265-00-00	PLATE, BODY PROTECTOR 5	1	
22	9560P-06200-00	NUT, FLANGE	2	
23	JF2-K811X-00-00	PROTECTOR 3	1	
24	JF2-78273-01-00	COVER, HOLE	1	
25	90269-11042-00	RIVET	3	
26	JU7-K8114-00-00	PANEL, FRONT	1	SEE NOTE A
27	90269-08066-00	RIVET	3	
28	JN3-K815G-00-00	SEAL, FRONT STORAGE	1	
29	JF2-K835E-00-00	HOLDER, BEVERAGE	1	

CONTENTS

ACCELERATOR	C2
AIR SHROUD FAN	A8
BODY 1	C12, D1
BODY 2	D2
BODY FITTING	D3
BRAKE 1	B10-11
BRAKE 2	B12
BRAKE 3	C1
BUMPER	C11
CAMSHAFT VALVE	A7
CARBURETOR	A10
CARRIER	D4
CRANKCASE	A12
CRANKSHAFT PISTON	A6
CYLINDER HEAD	A5
ELECTRICAL 1 JU7-300101~	D10
ELECTRICAL 1 ~JU7-300100	D9
ELECTRICAL 2	D11-12
ENGINE ASSEMBLY	A4
ENGINE BRACKET	B1
EXHAUST	A11
FRAME	B3
FRONT SUSPENSION WHEEL	B4-5
FUEL TANK JU7-300301~	B9
FUEL TANK ~JU7-300300	B8
GOVERNOR	C3
HEADLIGHT	D8
INTAKE	A9
PRIMARY SHEAVE	C4
REAR ARM SUSPENSION	B2
REAR AXLE MOUNT WHEEL	C9
SEAT	D5
SECONDARY SHEAVE	C5
SHIFTER CABLES	C10
STARTING MOTOR	D6-7
STEERING	B6-7
TRANSMISSION 1	C6-8
~MODELS IN THIS CATALOG	E1

SEE NOTE A

CONTINUED ON NEXT FRAME ►

NOTE A: WHEN REPLACING "PANEL, FRONT JU7-K8114-00-00", YOU SHOULD ALSO REPLACE "LABEL, WARNING 1 JU7-K7761-00-00".



JU71110-C270

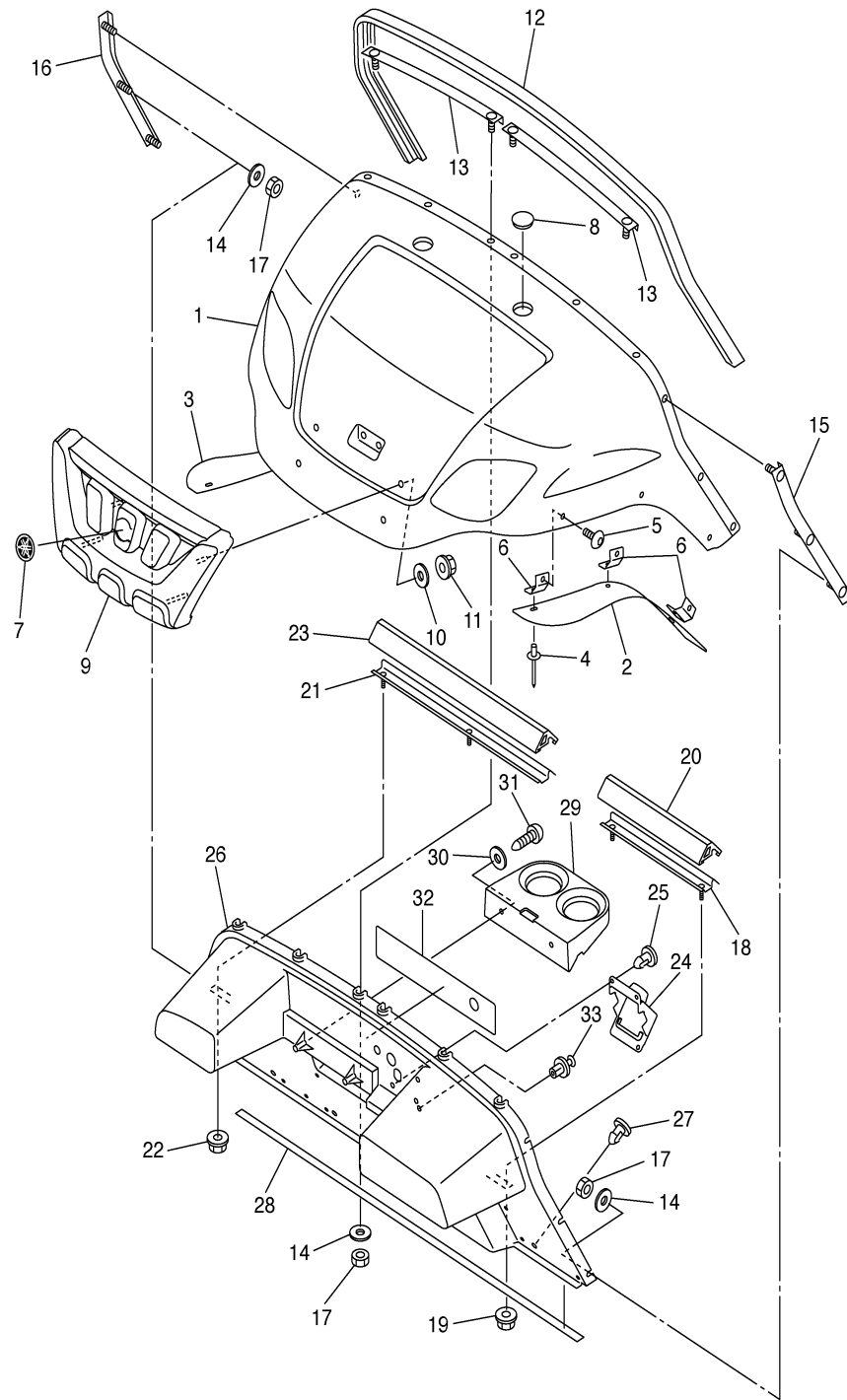
G27AZ_AZ_AC

BODY 1

Ref. No.	Part Number	Description	Qty	Remarks
30	90201-068R6-00	WASHER, PLATE	2	
31	9770P-60130-00	SCREW, TAPPING	2	
32	JU7-K7761-00-00	LABEL, WARNING 1	1	SEE NOTE A
33	90269-08069-00	RIVET	2	

CONTENTS

ACCELERATOR	C2
AIR SHROUD FAN	A8
BODY 1	C12, D1
BODY 2	D2
BODY FITTING	D3
BRAKE 1	B10-11
BRAKE 2	B12
BRAKE 3	C1
BUMPER	C11
CAMSHAFT VALVE	A7
CARBURETOR	A10
CARRIER	D4
CRANKCASE	A12
CRANKSHAFT PISTON	A6
CYLINDER HEAD	A5
ELECTRICAL 1 JU7-300101~	D10
ELECTRICAL 1 ~JU7-300100	D9
ELECTRICAL 2	D11-12
ENGINE ASSEMBLY	A4
ENGINE BRACKET	B1
EXHAUST	A11
FRAME	B3
FRONT SUSPENSION WHEEL	B4-5
FUEL TANK JU7-300301~	B9
FUEL TANK ~JU7-300300	B8
GOVERNOR	C3
HEADLIGHT	D8
INTAKE	A9
PRIMARY SHEAVE	C4
REAR ARM SUSPENSION	B2
REAR AXLE MOUNT WHEEL	C9
SEAT	D5
SECONDARY SHEAVE	C5
SHIFTER CABLES	C10
STARTING MOTOR	D6-7
STEERING	B6-7
TRANSMISSION 1	C6-8
~MODELS IN THIS CATALOG	E1



NOTE A: WHEN REPLACING "PANEL, FRONT JU7-K8114-00-00", YOU SHOULD ALSO REPLACE "LABEL, WARNING 1 JU7-K7761-00-00".

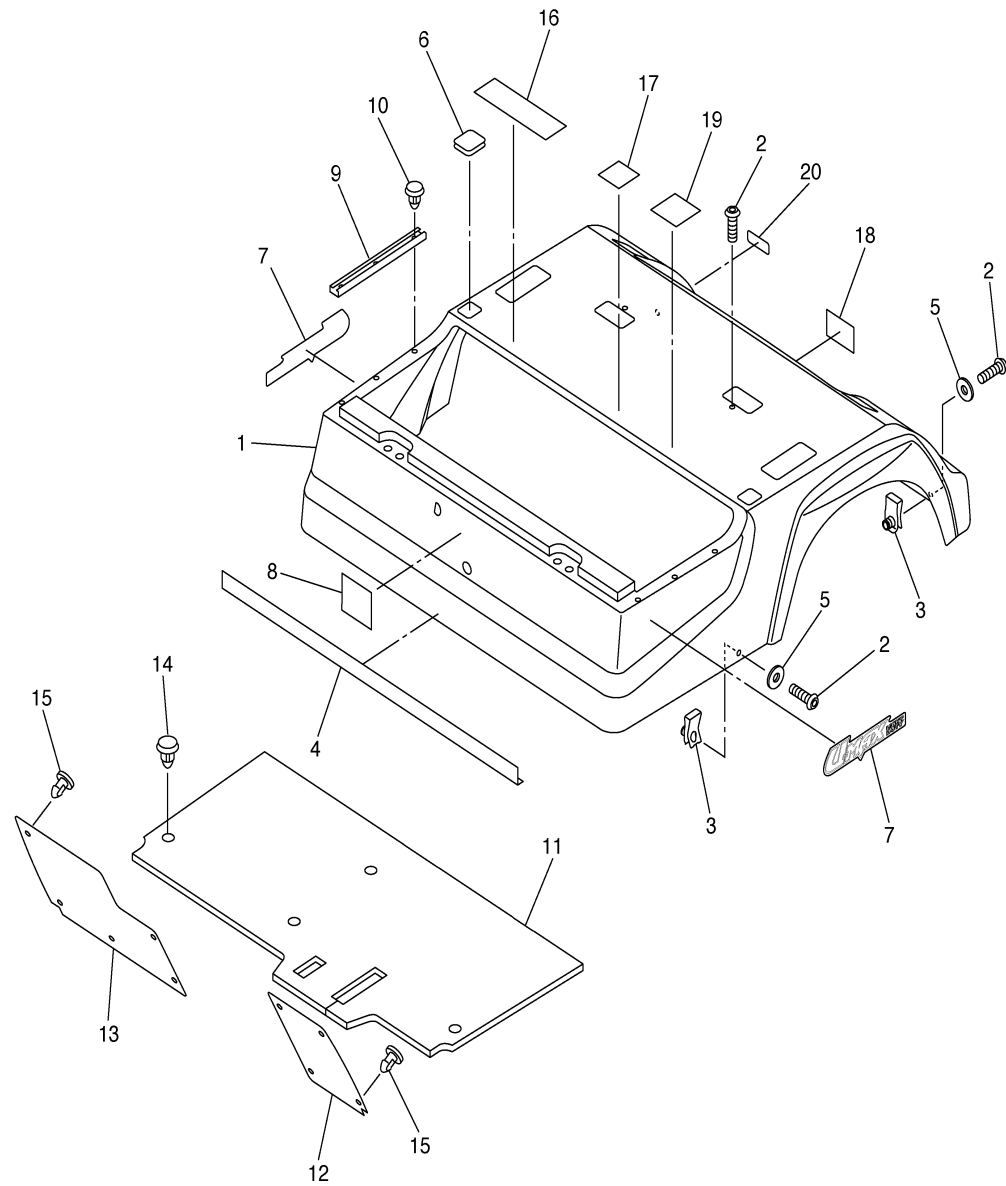


JU71110-C270

G27AZ_AZ_AC

D1

BODY 2



Ref. No.	Part Number	Description	Qty	Remarks
1	JU7-K8142-00-00	PANEL, REAR BODY	1	SEE NOTE A
2	90110-06836-00	BOLT, HEXAGON SOCKET HEAD	6	
3	90183-06811-00	NUT, SPRING	4	
4	JN6-K824E-00-00	TRIM, REAR BODY	1	
5	90201-068R6-00	WASHER, PLATE	4	
6	JU7-K8363-00-00	PROTECTOR	2	
7	JU7-F1781-00-00	EMBLEM 1	2	
8	JN3-K7741-00-00	INDICATOR	1	SEE NOTE A
9	JU7-K8425-00-00	SEAL, SEAT	2	
10	90338-05834-00	PLUG	6	
11	JN6-K8233-01-00	MAT, MAIN FLOOR 3	1	
12	JN6-K8231-01-00	MAT, MAIN FLOOR 1	1	
13	JN6-K8232-01-00	MAT, MAIN FLOOR 2	1	
14	90269-08813-00	RIVET	4	
15	90267-63047-00	RIVET, BLIND	9	
16	JN3-K8297-10-00	PLATE, CAUTION 1	1	SEE NOTE A
17	JN3-K8299-10-00	PLATE, CAUTION 3	1	SEE NOTE A
18	JU7-K7768-00-00	LABEL, WARNING	1	SEE NOTE A
19	JU7-F1696-00-00	LABEL, CAUTION	1	SEE NOTE A
20	JJ3-K7765-00-00	LABEL, WARNING 5	1	SEE NOTE A

CONTENTS

ACCELERATOR	C2
AIR SHROUD FAN	A8
BODY 1	C12 ,D1
BODY 2	D2
BODY FITTING	D3
BRAKE 1	B10-11
BRAKE 2	B12
BRAKE 3	C1
BUMPER	C11
CAMSHAFT VALVE	A7
CARBURETOR	A10
CARRIER	D4
CRANKCASE	A12
CRANKSHAFT PISTON	A6
CYLINDER HEAD	A5
ELECTRICAL 1 JU7-300101~	D10
ELECTRICAL 1 ~JU7-300100	D9
ELECTRICAL 2	D11-12
ENGINE ASSEMBLY	A4
ENGINE BRACKET	B1
EXHAUST	A11
FRAME	B3
FRONT SUSPENSION WHEEL	B4-5
FUEL TANK JU7-300301~	B9
FUEL TANK ~JU7-300300	B8
GOVERNOR	C3
HEADLIGHT	D8
INTAKE	A9
PRIMARY SHEAVE	C4
REAR ARM SUSPENSION	B2
REAR AXLE MOUNT WHEEL	C9
SEAT	D5
SECONDARY SHEAVE	C5
SHIFTER CABLES	C10
STARTING MOTOR	D6-7
STEERING	B6-7
TRANSMISSION 1	C6-8
~MODELS IN THIS CATALOG	E1

NOTE A: WHEN REPLACING "PANEL REAR BODY JU7-K8142-00-00", YOU MUST ALSO REPLACE "INDICATOR 1 JN3-K7741-00-00", "PLATE, CAUTION 1 JN3-K8297-10-00", "PLATE, CAUTION JN3-K8299-10-00", "LABEL, WARNING JU7-K7768-00-00", "LABEL, CAUTION JU7-F1696-00-00", AND "LABEL, WARNING 5 JJ3-K7765-00-00".



JU71110-C280

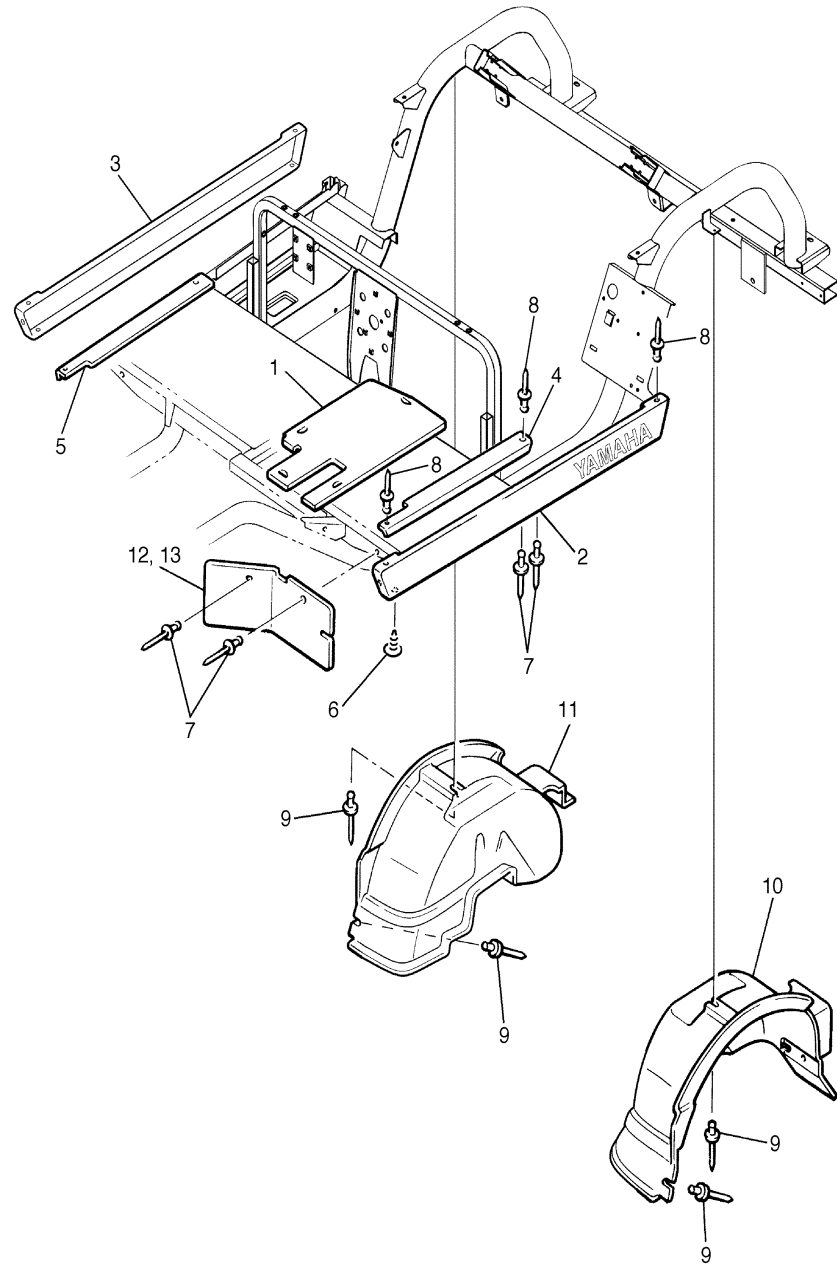
G27AZ_AZ_AC

BODY FITTING

Ref. No.	Part Number	Description	Qty	Remarks
1	JN6-K8271-00-00	SERVICE LID	1	
2	JU0-K818A-00-00	PROTECTOR, SIDE PLATE	1	
3	JU0-K818B-00-00	PROTECTOR, SIDE PLATE 2	1	
4	JF2-K8215-10-00	PLATE, SIDE TRIM	1	
5	JF2-K821F-10-00	PLATE, SIDE TRIM	1	
6	90338-05829-00	PLUG	4	
7	90267-48831-00	RIVET, BLIND (90267-48101-00)	8	
8	90267-48154-00	RIVET, BLIND	6	
9	90267-48086-00	RIVET, BLIND	4	
10	JF2-K8191-01-00	PANEL, REAR FENDER 1	1	
11	JF2-K8192-01-00	PANEL, REAR FENDER 2	1	
12	JF2-K8187-00-00	FLAP, FRONT FENDER LEFT	1	
13	JF2-K8189-00-00	FLAP, FRONT FENDER RIGHT	1	

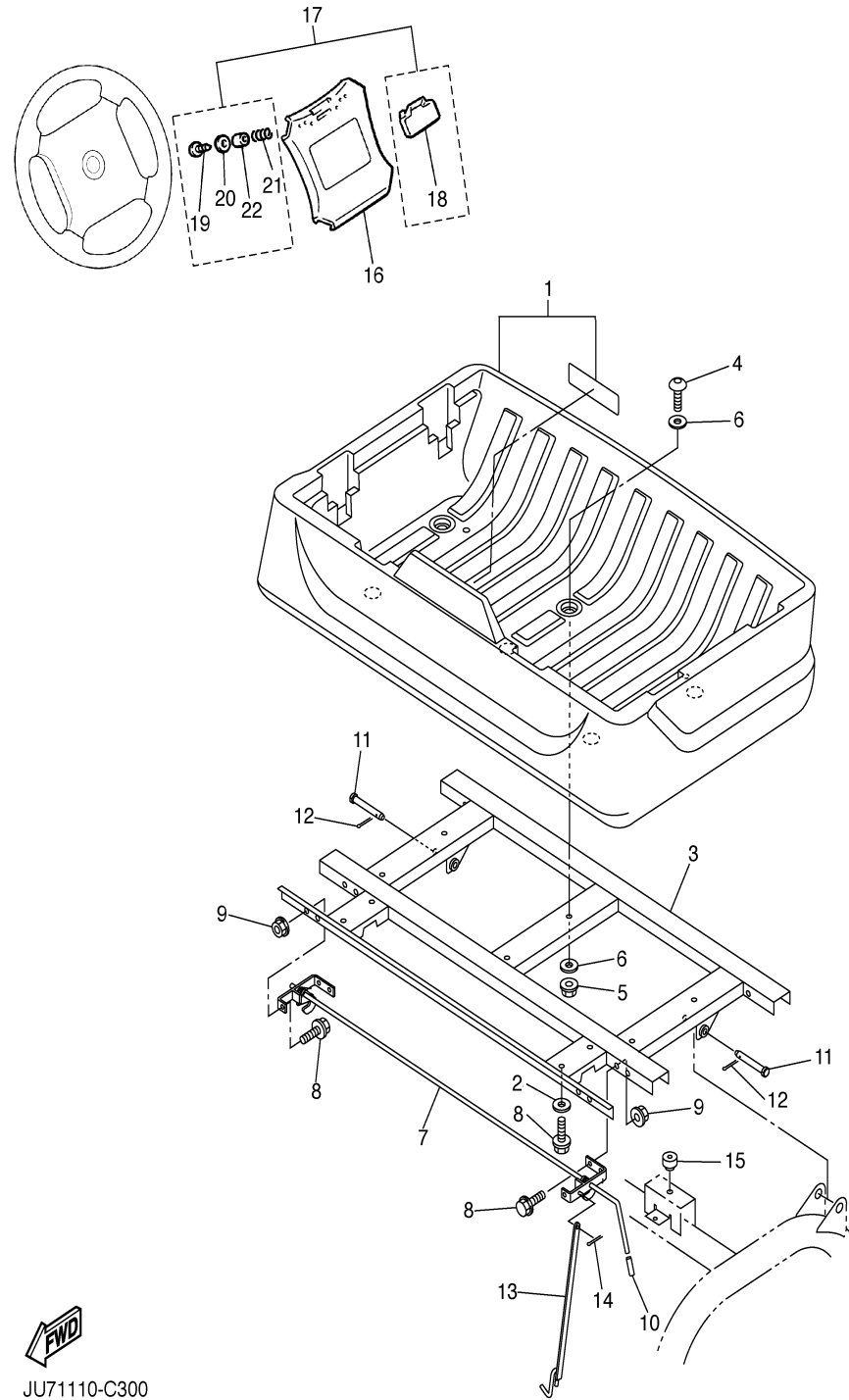
CONTENTS

ACCELERATOR	C2
AIR SHROUD FAN	A8
BODY 1	C12, D1
BODY 2	D2
BODY FITTING	D3
BRAKE 1	B10-11
BRAKE 2	B12
BRAKE 3	C1
BUMPER	C11
CAMSHAFT VALVE	A7
CARBURETOR	A10
CARRIER	D4
CRANKCASE	A12
CRANKSHAFT PISTON	A6
CYLINDER HEAD	A5
ELECTRICAL 1 JU7-300101~	D10
ELECTRICAL 1 ~JU7-300100	D9
ELECTRICAL 2	D11-12
ENGINE ASSEMBLY	A4
ENGINE BRACKET	B1
EXHAUST	A11
FRAME	B3
FRONT SUSPENSION WHEEL	B4-5
FUEL TANK JU7-300301~	B9
FUEL TANK ~JU7-300300	B8
GOVERNOR	C3
HEADLIGHT	D8
INTAKE	A9
PRIMARY SHEAVE	C4
REAR ARM SUSPENSION	B2
REAR AXLE MOUNT WHEEL	C9
SEAT	D5
SECONDARY SHEAVE	C5
SHIFTER CABLES	C10
STARTING MOTOR	D6-7
STEERING	B6-7
TRANSMISSION 1	C6-8
~MODELS IN THIS CATALOG	E1



JW41110-C290

CARRIER



Ref. No.	Part Number	Description	Qty	Remarks
1	JU7-K819J-00-00	SHELL, RR. STORAGE BOX ..	1	WEIGHT LIMIT STICKER INCLUDED
2	90201-088P7-00	WASHER, PLATE	2	
3	JU7-K818N-00-00	BED, BOX	1	
4	92017-10035-00	BOLT, BUTTON HEAD	6	
5	9560P-10200-00	NUT, FLANGE	6	
6	90201-10830-00	WASHER, PLATE	12	
7	JU7-K8380-00-00	LOCK ASSY	1	
8	9582P-08020-00	BOLT, FLANGE	8	
9	9560P-08200-00	NUT	6	
10	JJ3-K818M-00-00	CAP, PROTECTOR END 4	1	
11	90240-13801-00	PIN, CLEVIS	2	
12	91401-30025-00	PIN, SPLIT	2	
13	JU7-K8158-00-00	ROD, INSPECTION LID	1	
14	91401-20020-00	PIN, COTTER	1	
15	4XE-F4747-00-00	DAMPER, SEAT	2	
16	JN3-K8357-00-00	HOLDER	1	
17	JN6-W001D-00-00	SCORE CARD HOLDER KIT ..	1	
18	JN6-K8358-01-00	. HOLDER, 2	1	
19	97707-40525-00	. SCREW, PAN HEAD	2	
20	90201-048R5-00	. WASHER, PLATE	2	
21	90502-10013-00	. SPRING, CONICAL	2	
22	90387-046N7-00	. COLLAR	2	

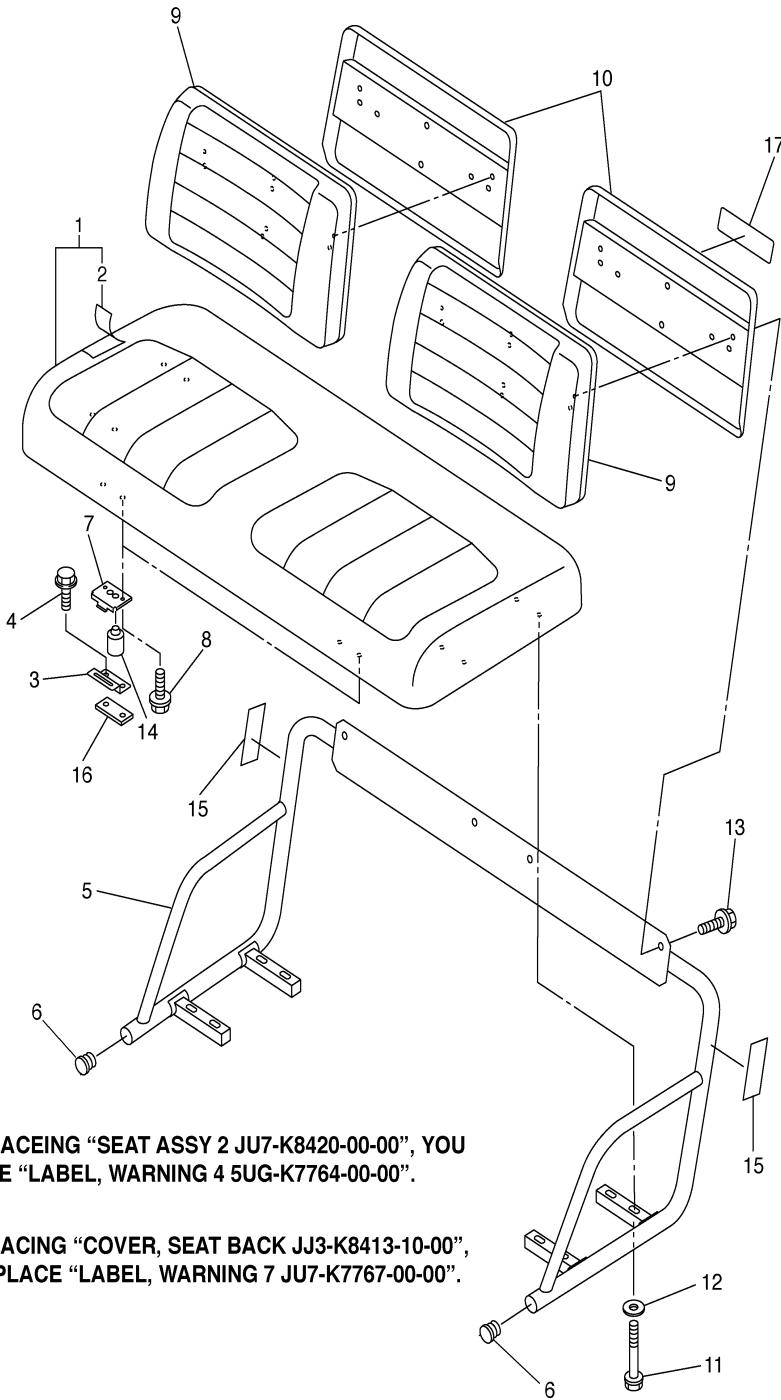
CONTENTS

ACCELERATOR	C2
AIR SHROUD FAN	A8
BODY 1	C12 ,D1
BODY 2	D2
BODY FITTING	D3
BRAKE 1	B10-11
BRAKE 2	B12
BRAKE 3	C1
BUMPER	C11
CAMSHAFT VALVE	A7
CARBURETOR	A10
CARRIER	D4
CRANKCASE	A12
CRANKSHAFT PISTON	A6
CYLINDER HEAD	A5
ELECTRICAL 1 JU7-300101~	D10
ELECTRICAL 1 ~JU7-300100	D9
ELECTRICAL 2	D11-12
ENGINE ASSEMBLY	A4
ENGINE BRACKET	B1
EXHAUST	A11
FRAME	B3
FRONT SUSPENSION WHEEL	B4-5
FUEL TANK JU7-300301~	B9
FUEL TANK ~JU7-300300	B8
GOVERNOR	C3
HEADLIGHT	D8
INTAKE	A9
PRIMARY SHEAVE	C4
REAR ARM SUSPENSION	B2
REAR AXLE MOUNT WHEEL	C9
SEAT	D5
SECONDARY SHEAVE	C5
SHIFTER CABLES	C10
STARTING MOTOR	D6-7
STEERING	B6-7
TRANSMISSION 1	C6-8
~MODELS IN THIS CATALOG	E1



JU71110-C300

SEAT



NOTE A: WHEN REPLACING "SEAT ASSY 2 JU7-K8420-00-00", YOU MUST ALSO REPLACE "LABEL, WARNING 4 5UG-K7764-00-00".

NOTE B: WHEN REPLACING "COVER, SEAT BACK JJ3-K8413-10-00", YOU MUST ALSO REPLACE "LABEL, WARNING 7 JU7-K7767-00-00".

Ref. No.	Part Number	Description	Qty	Remarks
1	JU7-K8401-10-00	SEAT SUB-ASSY, CUSHION ..	1	
2	JU7-K8404-00-00	. COVER, SEAT	1	
3	JF2-K8427-00-00	HINGE, SEAT FEMALE	2	
4	90105-06903-00	BOLT, WASHER BASED	4	
5	JU7-K8420-00-00	SEAT ASSY 2	1	SEE NOTE A
6	JU7-F111A-00-00	CAP, MAIN PIPE	2	
7	JN3-K8426-02-00	HINGE, SEAT 1	2	
8	90119-069UD-00	BOLT, WITH WASHER	4	
9	JU7-K8402-00-00	SEAT SUB ASSY, BACK	2	
10	JJ3-K8413-10-00	COVER, SEAT BACK	2	SEE NOTE B
11	90119-069UW-00	BOLT, WITH WASHER	8	
12	90201-068G0-00	WASHER, PLAIN	8	
13	90119-06837-00	BOLT, WITH WASHER	4	
14	JU7-F4747-00-00	DAMPER, SEAT	2	
15	5UG-K7764-00-00	LABEL, WARNING 4	2	SEE NOTE A
16	JU7-K8478-10-00	WASHER, PLATE	2	
17	JU7-K7767-00-00	LABEL, WARNING 7	1	SEE NOTE B

CONTENTS

ACCELERATOR	C2
AIR SHROUD FAN	A8
BODY 1	C12 ,D1
BODY 2	D2
BODY FITTING	D3
BRAKE 1	B10-11
BRAKE 2	B12
BRAKE 3	C1
BUMPER	C11
CAMSHAFT VALVE	A7
CARBURETOR	A10
CARRIER	D4
CRANKCASE	A12
CRANKSHAFT PISTON	A6
CYLINDER HEAD	A5
ELECTRICAL 1 JU7-300101~	D10
ELECTRICAL 1 ~JU7-300100	D9
ELECTRICAL 2	D11-12
ENGINE ASSEMBLY	A4
ENGINE BRACKET	B1
EXHAUST	A11
FRAME	B3
FRONT SUSPENSION WHEEL	B4-5
FUEL TANK JU7-300301~	B9
FUEL TANK ~JU7-300300	B8
GOVERNOR	C3
HEADLIGHT	D8
INTAKE	A9
PRIMARY SHEAVE	C4
REAR ARM SUSPENSION	B2
REAR AXLE MOUNT WHEEL	C9
SEAT	D5
SECONDARY SHEAVE	C5
SHIFTER CABLES	C10
STARTING MOTOR	D6-7
STEERING	B6-7
TRANSMISSION 1	C6-8
~MODELS IN THIS CATALOG	E1



JW41110-C310

G27AZ_AZ_AC

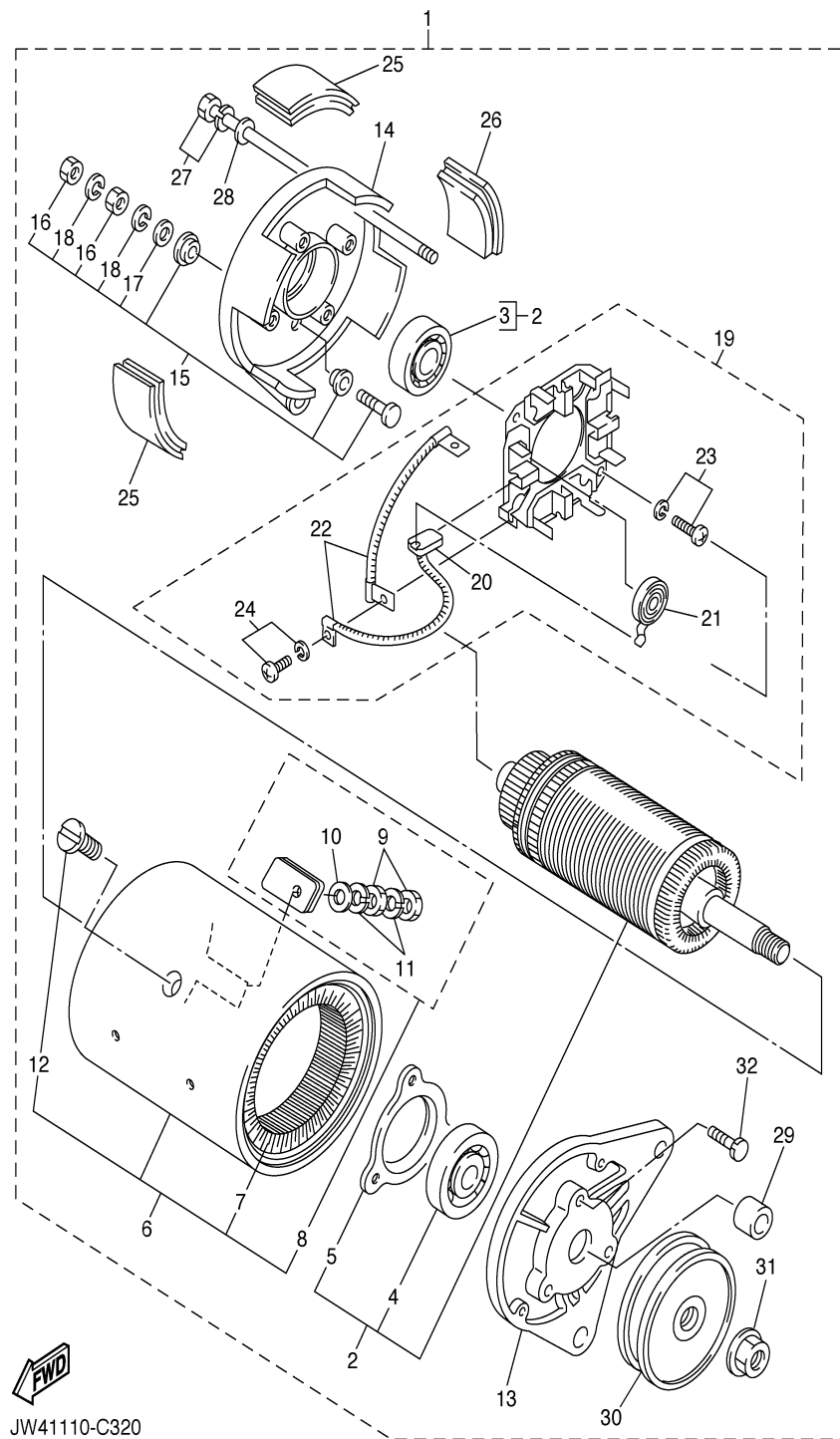
D5

STARTING MOTOR

Ref. No.	Part Number	Description	Qty	Remarks
1	JN6-H1100-03-00	STARTER GENERATOR ASSY	1	
2	JN3-H1150-00-00	. ARMATURE ASSEMBLY	1	
3	J10-H1157-10-00	. BEARING 1 (6202 SD)	1	
4	J10-H1158-10-00	. BEARING 2 (6203 SD)	1	
5	J10-H1159-10-00	. HOLDER, BEARING	1	
6	JN6-H1110-10-00	. STATOR ASSY	1	
7	JN6-H1160-10-00	. . FIELD COIL ASSY	1	
8	J10-81148-10-00	. . SCREW	2	
9	9530N-06600-00	. . . NUT	2	
10	9290N-06600-00	. . . WASHER	1	
11	9290N-06100-00	. . . WASHER, SPRING	2	
12	J10-81146-10-00	. . SCREW	4	
13	J38-H1165-10-00	. BRACKET, STARTER GENERATOR 1	1	
14	J10-H1166-10-00	. BRACKET, STARTER GENERATOR 2	1	
15	J10-H1147-10-00	. SCREW 3	2	
16	9530N-06600-00	. . NUT	2	
17	9290N-06600-00	. . WASHER	1	
18	9290N-06100-00	. . WASHER, SPRING	2	
19	JN6-H1119-00-00	. BRUSH HOLDER ASSY	1	
20	JF2-H1111-00-00	. . BRUSH	4	
21	JN6-H1113-00-00	. . SPRING, BRUSH	4	
22	J10-H1115-10-00	. . WIRE, LEAD	2	
23	9850N-05016-00	. . SCREW, PAN HEAD	2	
24	9850N-04010-00	. . SCREW, PAN HEAD	4	
25	J10-H1129-10-00	. COVER, BRUSH	3	
26	J10-H1139-10-00	. COVER, BRUSH 2	1	
27	J10-81145-10-00	. SCREW	2	
28	9290N-06600-00	. WASHER	2	
29	JN3-H1661-00-00	. SPACER	1	

CONTENTS

ACCELERATOR	C2
AIR SHROUD FAN	A8
BODY 1	C12 ,D1
BODY 2	D2
BODY FITTING	D3
BRAKE 1	B10-11
BRAKE 2	B12
BRAKE 3	C1
BUMPER	C11
CAMSHAFT VALVE	A7
CARBURETOR	A10
CARRIER	D4
CRANKCASE	A12
CRANKSHAFT PISTON	A6
CYLINDER HEAD	A5
ELECTRICAL 1 JU7-300101~	D10
ELECTRICAL 1 ~JU7-300100	D9
ELECTRICAL 2	D11-12
ENGINE ASSEMBLY	A4
ENGINE BRACKET	B1
EXHAUST	A11
FRAME	B3
FRONT SUSPENSION WHEEL	B4-5
FUEL TANK JU7-300301~	B9
FUEL TANK ~JU7-300300	B8
GOVERNOR	C3
HEADLIGHT	D8
INTAKE	A9
PRIMARY SHEAVE	C4
REAR ARM SUSPENSION	B2
REAR AXLE MOUNT WHEEL	C9
SEAT	D5
SECONDARY SHEAVE	C5
SHIFTER CABLES	C10
STARTING MOTOR	D6-7
STEERING	B6-7
TRANSMISSION 1	C6-8
~MODELS IN THIS CATALOG	E1



JW41110-C320

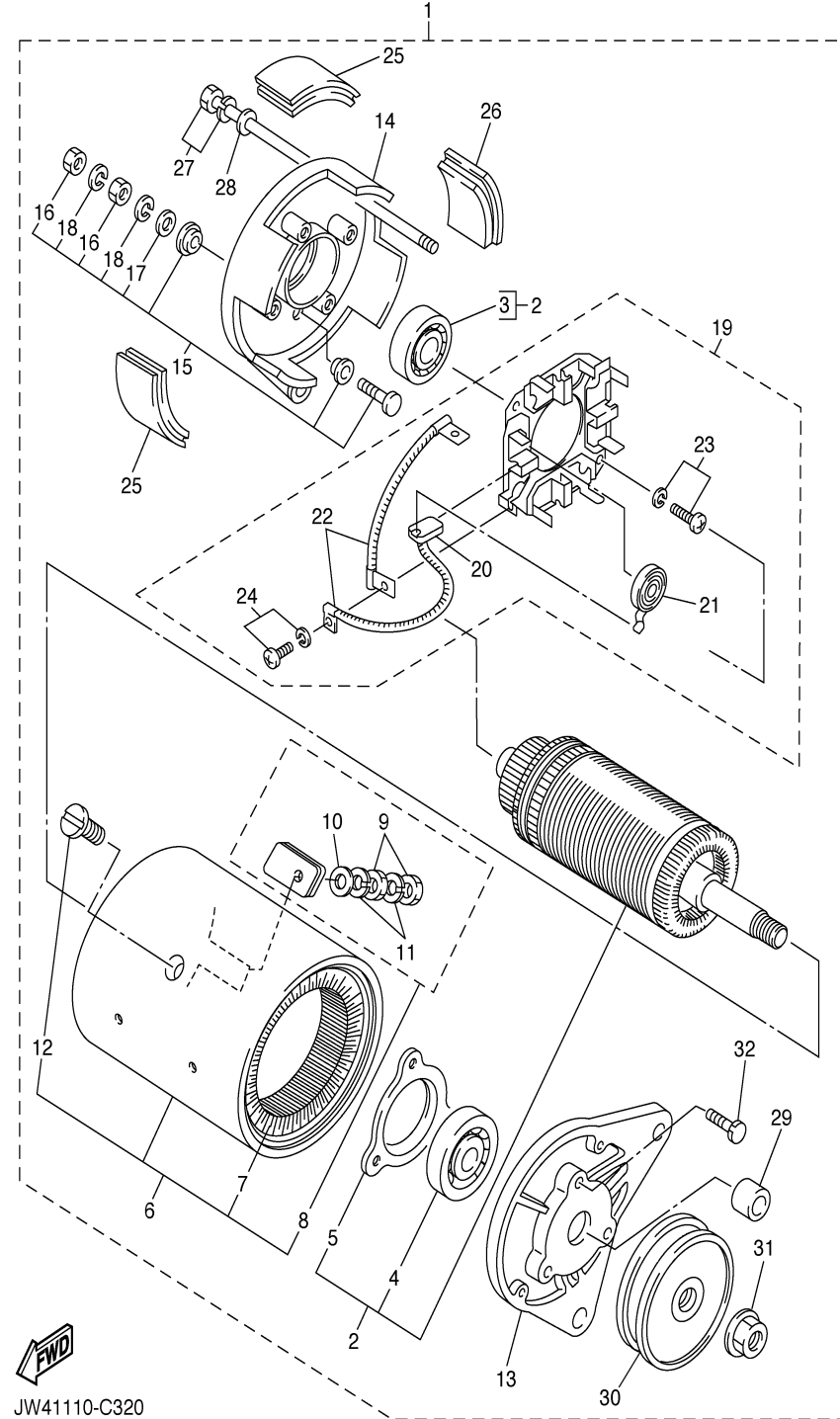
CONTINUED ON NEXT FRAME ►

STARTING MOTOR

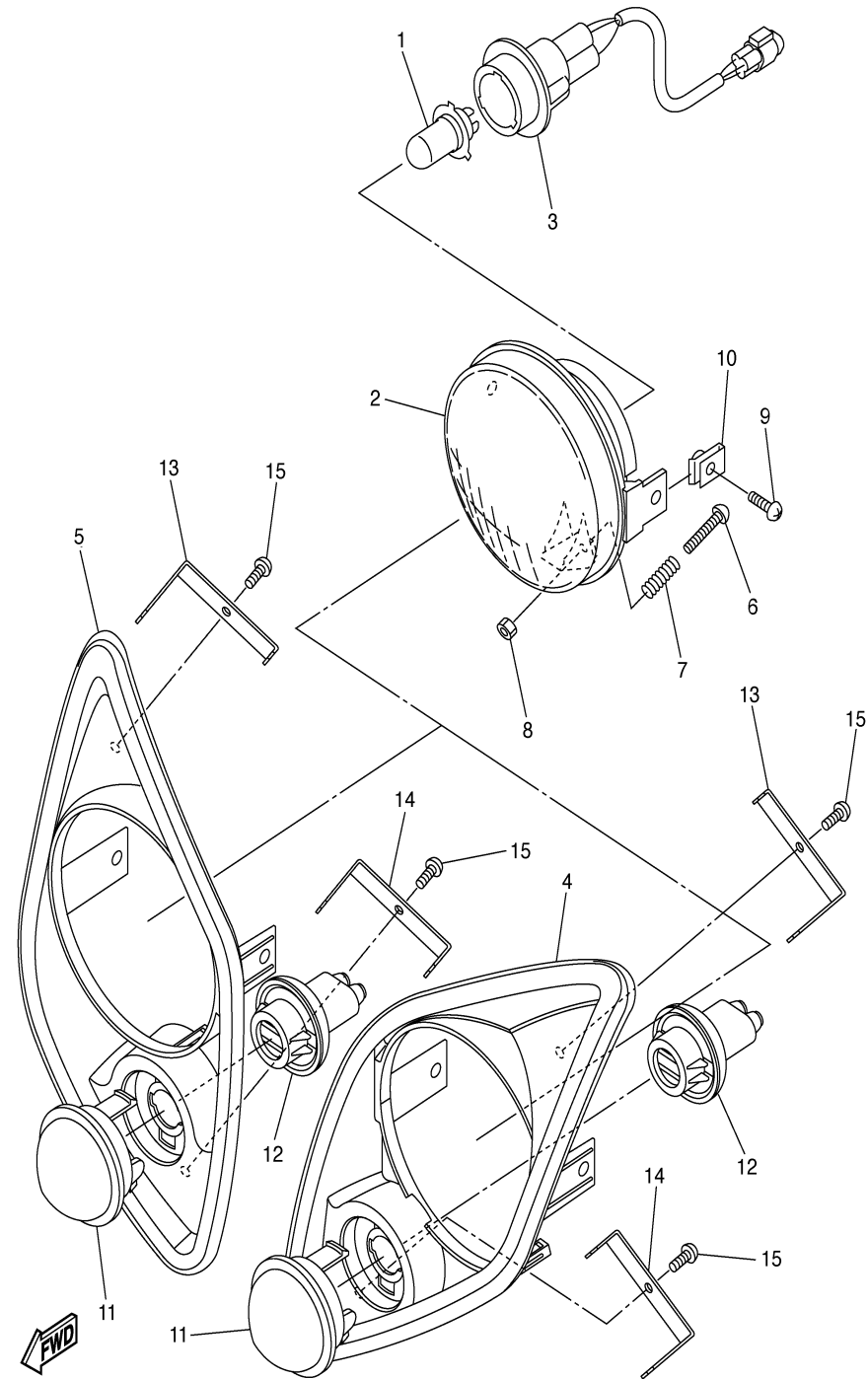
Ref. No.	Part Number	Description	Qty	Remarks
30	JN6-H1161-00-00	. PULLEY	1	
31	90179-16889-00	. NUT, FLANGE	1	
32	9850N-05018-00	. SCREW, PAN HEAD	3	

CONTENTS

ACCELERATOR	C2
AIR SHROUD FAN	A8
BODY 1	C12 ,D1
BODY 2	D2
BODY FITTING	D3
BRAKE 1	B10-11
BRAKE 2	B12
BRAKE 3	C1
BUMPER	C11
CAMSHAFT VALVE	A7
CARBURETOR	A10
CARRIER	D4
CRANKCASE	A12
CRANKSHAFT PISTON	A6
CYLINDER HEAD	A5
ELECTRICAL 1 JU7-300101~	D10
ELECTRICAL 1 ~JU7-300100	D9
ELECTRICAL 2	D11-12
ENGINE ASSEMBLY	A4
ENGINE BRACKET	B1
EXHAUST	A11
FRAME	B3
FRONT SUSPENSION WHEEL	B4-5
FUEL TANK JU7-300301~	B9
FUEL TANK ~JU7-300300	B8
GOVERNOR	C3
HEADLIGHT	D8
INTAKE	A9
PRIMARY SHEAVE	C4
REAR ARM SUSPENSION	B2
REAR AXLE MOUNT WHEEL	C9
SEAT	D5
SECONDARY SHEAVE	C5
SHIFTER CABLES	C10
STARTING MOTOR	D6-7
STEERING	B6-7
TRANSMISSION 1	C6-8
~MODELS IN THIS CATALOG	E1



HEADLIGHT



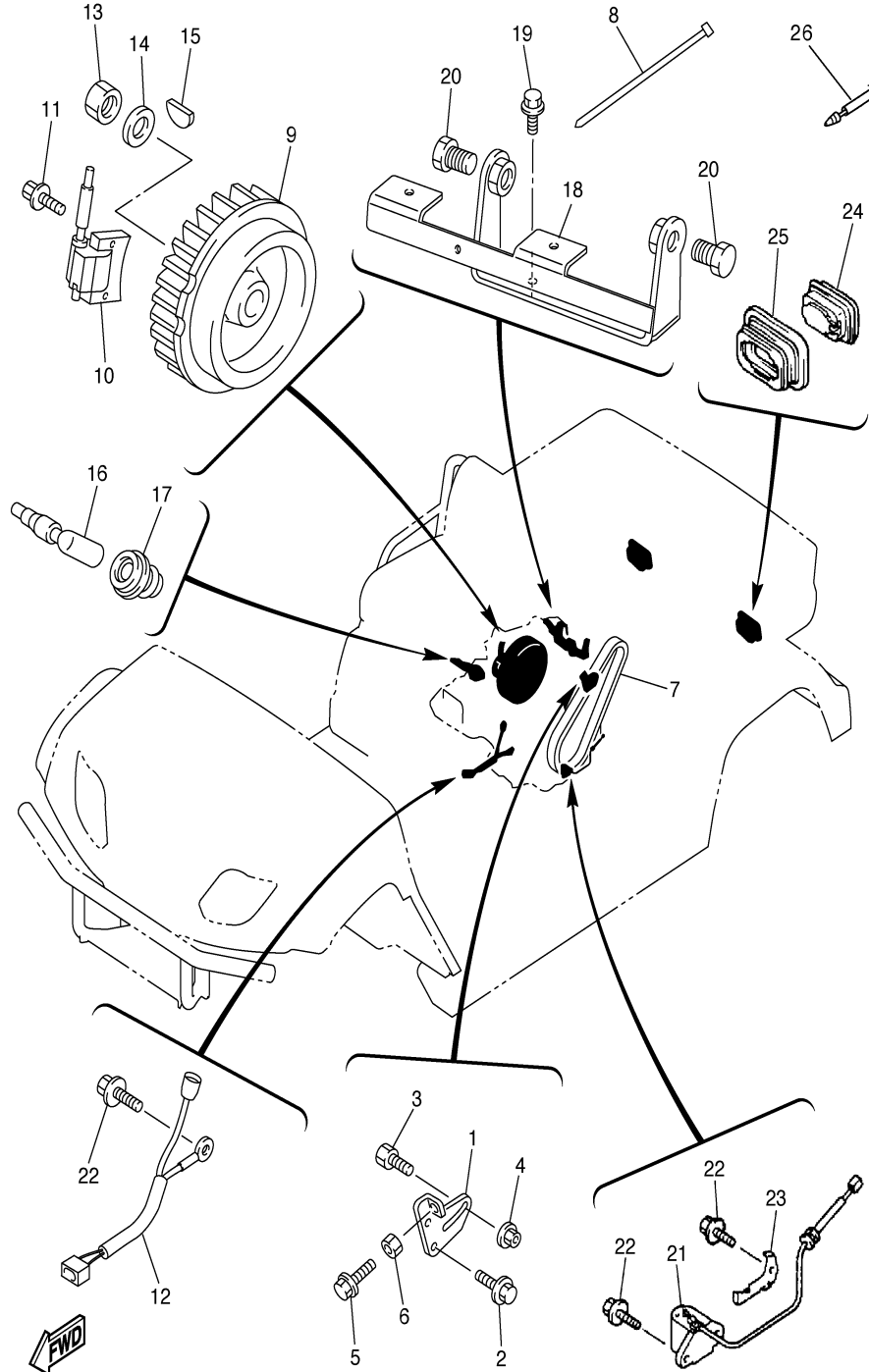
Ref. No.	Part Number	Description	Qty	Remarks
1	5FU-H4314-00-00	BULB, HEADLIGHT (12V-3030W)	2	
2	5FU-H4320-00-00	LENS ASSY	2	
3	5FU-H4340-00-00	SOCKET CORD ASSY	2	
4	JU7-H411T-00-00	HOLDER, 1	1	LH ~JU7-300100
	JU7-H411T-02-00	HOLDER, 1	1	JU7-300101~
5	JU7-H411U-00-00	HOLDER, 2	1	RH~JU7-300100
	JU7-H411U-02-00	HOLDER, 2	1	JU7-300101~
6	98507-03540-00	SCREW, PAN HEAD	2	
7	2GU-84332-00-00	SPRING, SCREW	2	JU7-300101~
	90501-10060-00	SPRING, COMPRESSION	2	~JU7-300100
8	2GU-84334-00-00	NUT, ADJUSTING	2	
9	90150-05802-00	SCREW, ROUND HEAD	4	
10	90183-05008-00	NUT, SPRING	4	
11	JU7-H5415-00-00	MARK, SIGNAL LAMP	2	
12	JU7-H3547-00-00	COVER, SOCKET	2	
13	JU7-H4118-01-00	STAY, HEADLIGHT 1	2	
14	JU7-H4119-01-00	STAY, HEADLIGHT 2	2	
15	97707-40112-00	SCREW, TAPPING	4	

CONTENTS

ACCELERATOR	C2
AIR SHROUD FAN	A8
BODY 1	C12 ,D1
BODY 2	D2
BODY FITTING	D3
BRAKE 1	B10-11
BRAKE 2	B12
BRAKE 3	C1
BUMPER	C11
CAMSHAFT VALVE	A7
CARBURETOR	A10
CARRIER	D4
CRANKCASE	A12
CRANKSHAFT PISTON	A6
CYLINDER HEAD	A5
ELECTRICAL 1 JU7-300101~	D10
ELECTRICAL 1 ~JU7-300100	D9
ELECTRICAL 2	D11-12
ENGINE ASSEMBLY	A4
ENGINE BRACKET	B1
EXHAUST	A11
FRAME	B3
FRONT SUSPENSION WHEEL	B4-5
FUEL TANK JU7-300301~	B9
FUEL TANK ~JU7-300300	B8
GOVERNOR	C3
HEADLIGHT	D8
INTAKE	A9
PRIMARY SHEAVE	C4
REAR ARM SUSPENSION	B2
REAR AXLE MOUNT WHEEL	C9
SEAT	D5
SECONDARY SHEAVE	C5
SHIFTER CABLES	C10
STARTING MOTOR	D6-7
STEERING	B6-7
TRANSMISSION 1	C6-8
~MODELS IN THIS CATALOG	E1

JU71110-C330

ELECTRICAL 1 ~JU7-300100



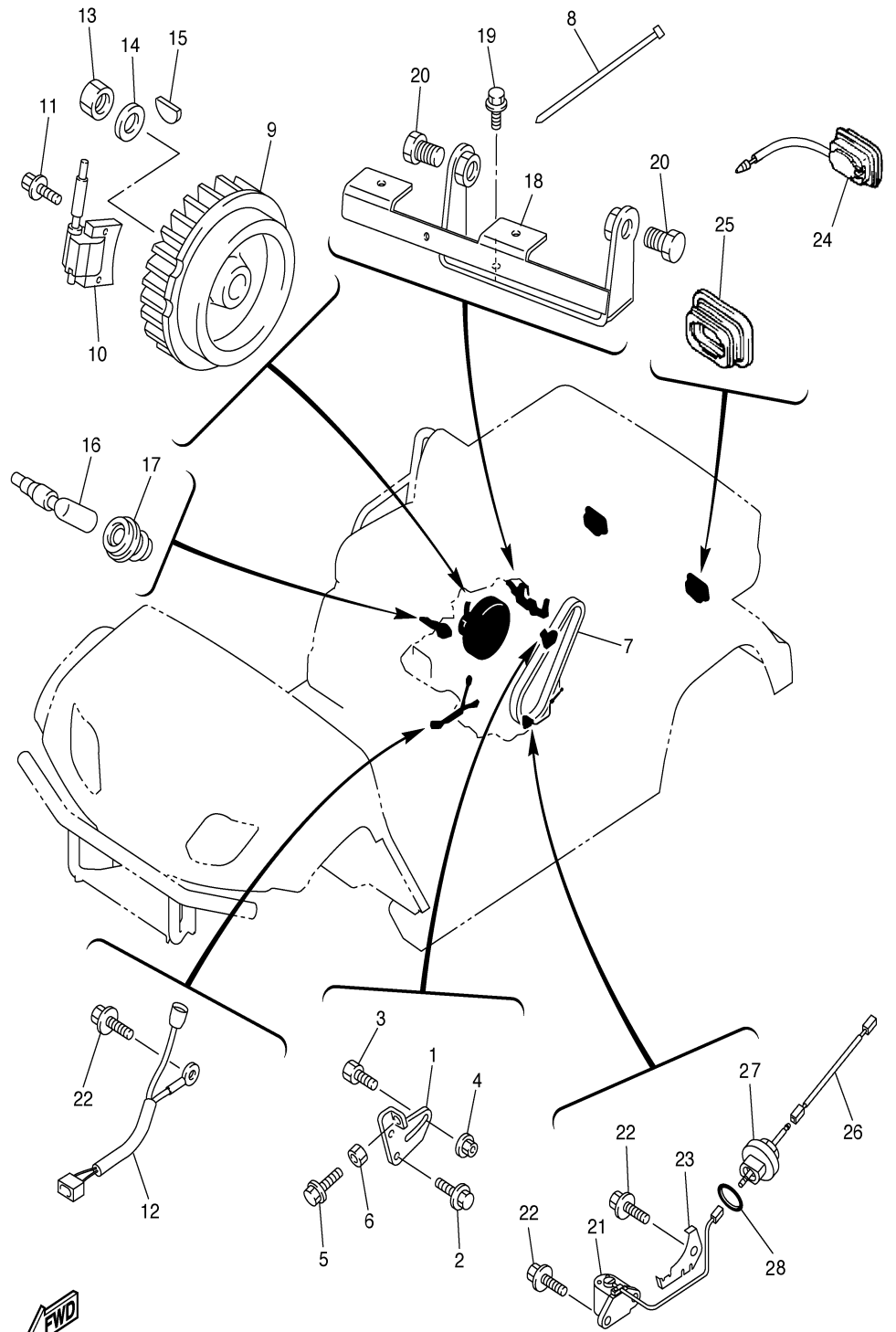
Ref. No.	Part Number	Description	Qty	Remarks
1	JN6-H1170-00-00	TENSIONER ASSEMBLY	1	
2	9582P-08020-00	BOLT, FLANGE	2	
3	90109-08875-00	BOLT	1	
4	95707-08500-00	NUT, FLANGE	1	
5	90101-06478-00	NUT	1	
6	95307-06600-00	NUT, HEX	1	
7	JN6-H1173-00-00	BELT	1	
8	90464-09823-00	CLAMP	1	
9	JR7-85650-00-00	ROTOR ASSY	1	
10	JN6-85640-01-00	T.C.I. UNIT ASSY	1	
11	95827-06025-00	BOLT, FLANGE	2	
12	JN6-82318-00-00	WIRE, SUB-LEAD	1	
13	95307-18600-00	NUT, HEX	1	
14	90201-18620-00	WASHER, PLAIN	1	
15	90280-04052-00	KEY, WOODRUFF	1	
16	JN6-82370-00-00	PLUG CAP ASSY	1	
17	JE8-82372-00-00	SEAL, PLUG CAP	1	
18	JN6-H1171-00-00	BRACKET, STARTER GENERATOR	1	
19	9582P-08020-00	BOLT, FLANGE	2	
20	9581P-12025-00	BOLT, FLANGE	2	
21	JN6-85720-12-00	OIL LEVEL GAUGE	1	
22	95827-06012-00	BOLT, FLANGE	4	
23	JN6-85724-00-00	CLAMP, OIL LEVEL	1	
24	JN3-H4700-00-00	TAILLIGHT ASSY	2	
25	JN3-H4718-00-00	GROMMET	2	
26	JU7-H2521-01-00	WIRE, LEAD (TAILLIGHT)	2	JU7-000501~

CONTENTS

ACCELERATOR	C2
AIR SHROUD FAN	A8
BODY 1	C12 ,D1
BODY 2	D2
BODY FITTING	D3
BRAKE 1	B10-11
BRAKE 2	B12
BRAKE 3	C1
BUMPER	C11
CAMSHAFT VALVE	A7
CARBURETOR	A10
CARRIER	D4
CRANKCASE	A12
CRANKSHAFT PISTON	A6
CYLINDER HEAD	A5
ELECTRICAL 1 JU7-300101~	D10
ELECTRICAL 1 ~JU7-300100	D9
ELECTRICAL 2	D11-12
ENGINE ASSEMBLY	A4
ENGINE BRACKET	B1
EXHAUST	A11
FRAME	B3
FRONT SUSPENSION WHEEL	B4-5
FUEL TANK JU7-300301~	B9
FUEL TANK ~JU7-300300	B8
GOVERNOR	C3
HEADLIGHT	D8
INTAKE	A9
PRIMARY SHEAVE	C4
REAR ARM SUSPENSION	B2
REAR AXLE MOUNT WHEEL	C9
SEAT	D5
SECONDARY SHEAVE	C5
SHIFTER CABLES	C10
STARTING MOTOR	D6-7
STEERING	B6-7
TRANSMISSION 1	C6-8
~MODELS IN THIS CATALOG	E1

JW41110-C340

ELECTRICAL 1 JU7-300101~



Ref. No.	Part Number	Description	Qty	Remarks
1	JN6-H1170-00-00	TENSIONER ASSEMBLY	1	
2	9582P-08020-00	BOLT, FLANGE	2	
3	90109-08875-00	BOLT	1	
4	95707-08500-00	NUT, FLANGE	1	
5	90101-06478-00	NUT	1	
6	95307-06600-00	NUT, HEX	1	
7	JN6-H1173-00-00	BELT	1	
8	90464-09823-00	CLAMP	1	
9	JR7-85650-00-00	ROTOR ASSY	1	
10	JN6-85640-01-00	T.C.I. UNIT ASSY	1	
11	95827-06025-00	BOLT, FLANGE	2	
12	JN6-82318-00-00	WIRE, SUB-LEAD	1	
13	95307-18600-00	NUT, HEX	1	
14	90201-18620-00	WASHER, PLAIN	1	
15	90280-04052-00	KEY, WOODRUFF	1	
16	JN6-82370-00-00	PLUG CAP ASSY	1	
17	JE8-82372-00-00	SEAL, PLUG CAP	1	
18	JN6-H1171-00-00	BRACKET, STARTER GENERATOR	1	
19	9582P-08020-00	BOLT, FLANGE	2	
20	9581P-12025-00	BOLT, FLANGE	2	
21	JT0-85720-00-00	OIL LEVEL GAUGE ASSY	1	
22	95827-06012-00	BOLT, FLANGE	4	
23	JT0-85724-00-00	CLAMP	1	
24	JU5-H4700-10-00	TAILLIGHT ASSY	2	
25	JU5-H4718-00-00	GROMMET	2	
26	JT0-8231Y-00-00	WIRE, LEAD	1	
27	JT0-15362-00-00	PLUG, OIL LEVEL	1	
28	93210-14214-00	O-RING	1	

CONTENTS

ACCELERATOR	C2
AIR SHROUD FAN	A8
BODY 1	C12 ,D1
BODY 2	D2
BODY FITTING	D3
BRAKE 1	B10-11
BRAKE 2	B12
BRAKE 3	C1
BUMPER	C11
CAMSHAFT VALVE	A7
CARBURETOR	A10
CARRIER	D4
CRANKCASE	A12
CRANKSHAFT PISTON	A6
CYLINDER HEAD	A5
ELECTRICAL 1 JU7-300101~	D10
ELECTRICAL 1 ~JU7-300100	D9
ELECTRICAL 2	D11-12
ENGINE ASSEMBLY	A4
ENGINE BRACKET	B1
EXHAUST	A11
FRAME	B3
FRONT SUSPENSION WHEEL	B4-5
FUEL TANK JU7-300301~	B9
FUEL TANK ~JU7-300300	B8
GOVERNOR	C3
HEADLIGHT	D8
INTAKE	A9
PRIMARY SHEAVE	C4
REAR ARM SUSPENSION	B2
REAR AXLE MOUNT WHEEL	C9
SEAT	D5
SECONDARY SHEAVE	C5
SHIFTER CABLES	C10
STARTING MOTOR	D6-7
STEERING	B6-7
TRANSMISSION 1	C6-8
~MODELS IN THIS CATALOG	E1

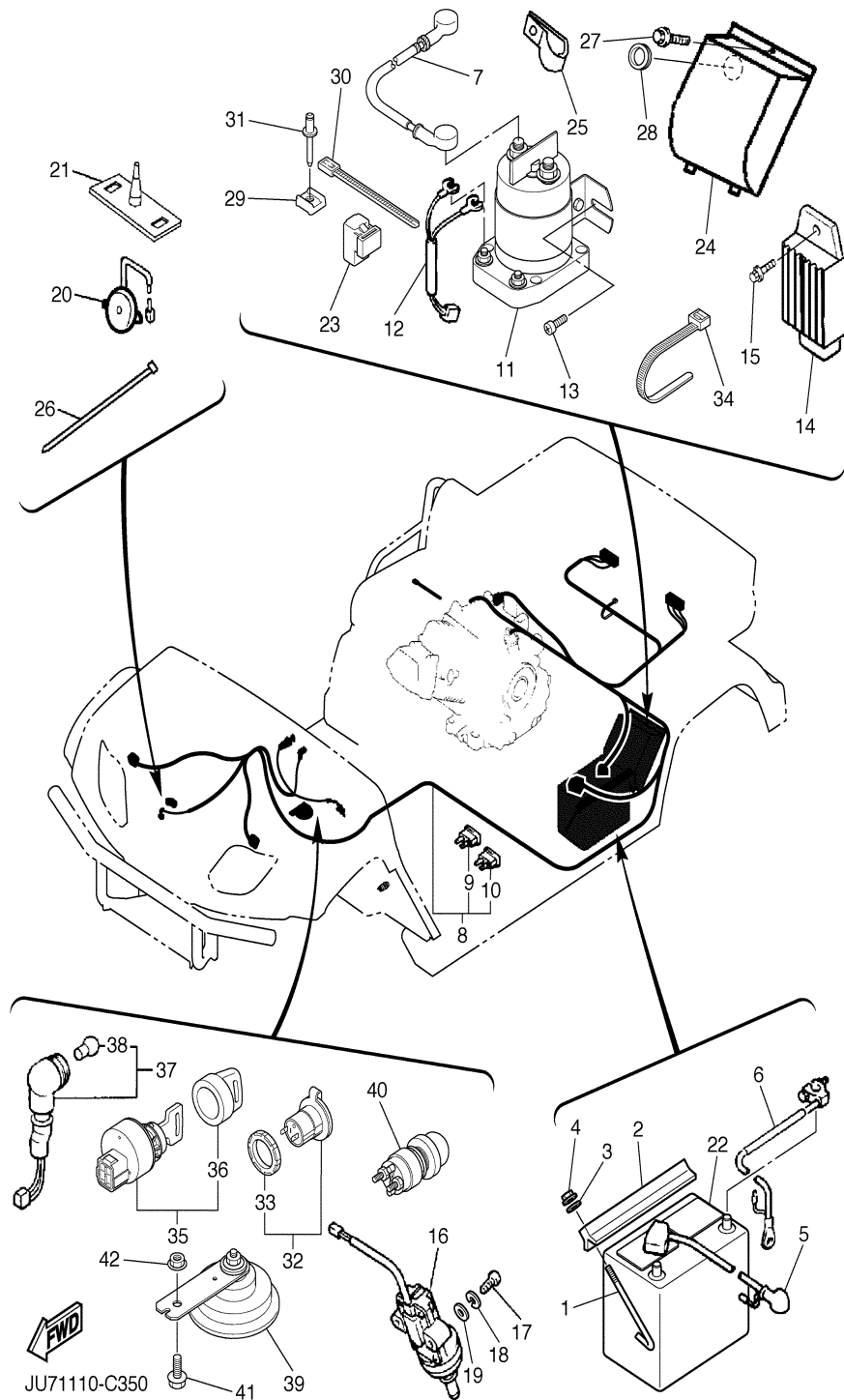


JW41110-C340

G27AZ_AZ_AC

D10

ELECTRICAL 2



Ref. No.	Part Number	Description	Qty	Remarks
1	JN3-H2133-00-00	SCREW, FITTING	2	
2	J55-H2136-00-00	PLATE, BATTERY	1	
3	9290P-06200-00	WASHER	2	
4	95707-06500-00	NUT, FLANGE	2	
5	JU7-H2115-00-00	WIRE, PLUS LEAD	1	
6	JN6-H2116-01-00	WIRE, MINUS LEAD	1	
7	JN6-H2117-00-00	WIRE, LEAD	1	
8	JU7-H2590-02-00	WIRE HARNESS ASSY	1	JU7-000501~
	JU7-H2590-01-00	WIRE HARNESS ASSY	1	~JU7-000500
9	JN6-H2151-00-00	. FUSE (10 A)	2	
10	JU7-H2151-00-00	. FUSE (20 A)	1	
11	JR3-H1950-00-00	RELAY ASSY	1	
12	JN6-H2105-00-00	WIRE HARNESS	1	
13	90163-06005-00	SCREW, HEX T	2	
14	JF2-81910-01-00	VOLTAGE REGULATOR ASSY	1	
15	90105-06876-00	BOLT, FLANGE	1	
16	JF7-82817-20-00	SWITCH, ACCELERATOR STOP	1	
17	98507-05025-00	SCREW, PAN HEAD	2	
18	92907-05100-00	WASHER, SPRING	2	
19	92907-05600-00	WASHER, PLATE	2	
20	JR1-H3383-01-00	BUZZER	1	
21	JN6-H3386-01-00	STAY, BUZZER	1	
22	JG5-H2110-01-00	BATTERY (GRP 24, 12V, 400CCA)	1	BC1 GROUP 24, CCA: 400A OBTAIN LOCALLY
23	4U8-81950-02-00	RELAY ASSY	1	
24	JN6-H1942-00-00	COVER	1	
25	90461-16802-00	CLAMP	1	
26	90464-31827-00	CLAMP	3	
27	90105-06876-00	BOLT, FLANGE	2	

CONTENTS

ACCELERATOR	C2
AIR SHROUD FAN	A8
BODY 1	C12 ,D1
BODY 2	D2
BODY FITTING	D3
BRAKE 1	B10-11
BRAKE 2	B12
BRAKE 3	C1
BUMPER	C11
CAMSHAFT VALVE	A7
CARBURETOR	A10
CARRIER	D4
CRANKCASE	A12
CRANKSHAFT PISTON	A6
CYLINDER HEAD	A5
ELECTRICAL 1 JU7-300101~	D10
ELECTRICAL 1 ~JU7-300100	D9
ELECTRICAL 2	D11-12
ENGINE ASSEMBLY	A4
ENGINE BRACKET	B1
EXHAUST	A11
FRAME	B3
FRONT SUSPENSION WHEEL	B4-5
FUEL TANK JU7-300301~	B9
FUEL TANK ~JU7-300300	B8
GOVERNOR	C3
HEADLIGHT	D8
INTAKE	A9
PRIMARY SHEAVE	C4
REAR ARM SUSPENSION	B2
REAR AXLE MOUNT WHEEL	C9
SEAT	D5
SECONDARY SHEAVE	C5
SHIFTER CABLES	C10
STARTING MOTOR	D6-7
STEERING	B6-7
TRANSMISSION 1	C6-8
~MODELS IN THIS CATALOG	E1

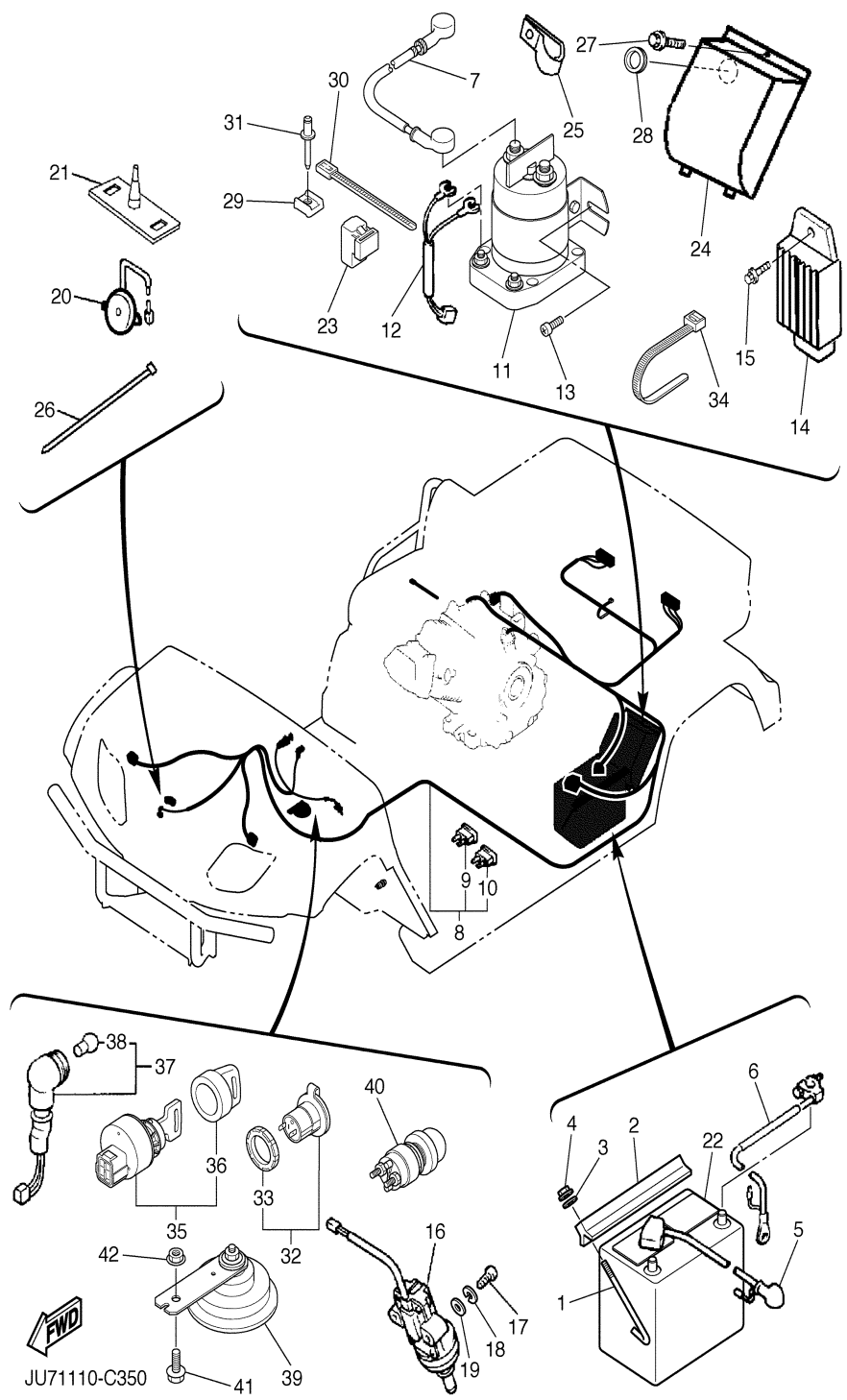
CONTINUED ON NEXT FRAME ►

ELECTRICAL 2

Ref. No.	Part Number	Description	Qty	Remarks
28	90480-25856-00	GROMMET	1	
29	90207-05800-00	WASHER, FINISH	1	
30	90464-40825-00	CLAMP	6	
31	90267-489U9-00	RIVET, BLIND	1	
32	5FU-H1920-10-00	TERMINAL ASSY	1	
33	5FU-H191B-10-00	. NUT	1	
34	90464-14806-00	CLAMP	9	
35	JU7-H2510-00-00	MAIN SWITCH ASSY	1	~JU7-300100 RANDOM KEY SWITCH
	JU6-H2510-10-00	MAIN SWITCH ASSY	1	JU7-300101~ COMMON KEY SWITCH P/N JU6-H2511-10-00
36	5UG-H2579-00-00	. CAP, KEY	1	
37	JN6-83530-00-00	PILOT LIGHT A	1	
38	123-83516-21-00	. BULB (12V-3.4W)	1	
39	4LR-83371-10-00	HORN	1	
40	JR6-H270X-00-00	SWITCH	1	
41	9582P-06016-00	BOLT, FLANGE	1	
42	95707-06500-00	NUT, FLANGE	1	

CONTENTS

ACCELERATOR	C2
AIR SHROUD FAN	A8
BODY 1	C12 ,D1
BODY 2	D2
BODY FITTING	D3
BRAKE 1	B10-11
BRAKE 2	B12
BRAKE 3	C1
BUMPER	C11
CAMSHAFT VALVE	A7
CARBURETOR	A10
CARRIER	D4
CRANKCASE	A12
CRANKSHAFT PISTON	A6
CYLINDER HEAD	A5
ELECTRICAL 1 JU7-300101~	D10
ELECTRICAL 1 ~JU7-300100	D9
ELECTRICAL 2	D11-12
ENGINE ASSEMBLY	A4
ENGINE BRACKET	B1
EXHAUST	A11
FRAME	B3
FRONT SUSPENSION WHEEL	B4-5
FUEL TANK JU7-300301~	B9
FUEL TANK ~JU7-300300	B8
GOVERNOR	C3
HEADLIGHT	D8
INTAKE	A9
PRIMARY SHEAVE	C4
REAR ARM SUSPENSION	B2
REAR AXLE MOUNT WHEEL	C9
SEAT	D5
SECONDARY SHEAVE	C5
SHIFTER CABLES	C10
STARTING MOTOR	D6-7
STEERING	B6-7
TRANSMISSION 1	C6-8
~MODELS IN THIS CATALOG	E1



~MODELS IN THIS CATALOG

Ref. No.	Part Number	Description	Qty	Remarks
----------	-------------	-------------	-----	---------

CONTENTS

ACCELERATOR	C2
AIR SHROUD FAN	A8
BODY 1	C12 ,D1
BODY 2	D2
BODY FITTING	D3
BRAKE 1	B10-11
BRAKE 2	B12
BRAKE 3	C1
BUMPER	C11
CAMSHAFT VALVE	A7
CARBURETOR	A10
CARRIER	D4
CRANKCASE	A12
CRANKSHAFT PISTON	A6
CYLINDER HEAD	A5
ELECTRICAL 1 JU7-300101~	D10
ELECTRICAL 1 ~JU7-300100	D9
ELECTRICAL 2	D11-12
ENGINE ASSEMBLY	A4
ENGINE BRACKET	B1
EXHAUST	A11
FRAME	B3
FRONT SUSPENSION WHEEL	B4-5
FUEL TANK JU7-300301~	B9
FUEL TANK ~JU7-300300	B8
GOVERNOR	C3
HEADLIGHT	D8
INTAKE	A9
PRIMARY SHEAVE	C4
REAR ARM SUSPENSION	B2
REAR AXLE MOUNT WHEEL	C9
SEAT	D5
SECONDARY SHEAVE	C5
SHIFTER CABLES	C10
STARTING MOTOR	D6-7
STEERING	B6-7
TRANSMISSION 1	C6-8
~MODELS IN THIS CATALOG	E1

2004 G27AZ (JU71)

STARTING SERIAL NO. (G27AZ): JU7-000101 and following

2005 G27AZ (JU71)

STARTING SERIAL NO. (G27AZ): JU7-000101 and following

2006 G27AC (JU71)

STARTING SERIAL NO. (G27AC): JU7-300101 and following

ALL THESE MODELS USE THIS SAME PARTS CATALOG.
BE SURE TO ORDER ONLY THOSE PARTS APPLICABLE
TO THE DESIRED MODEL.