

PARTS CATALOGUE

GOLF CAR

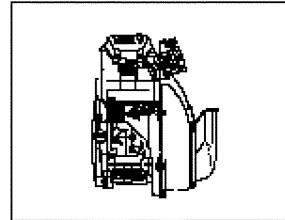
2004 G28AZ (JU91)

2005 G28AZ (JU91)

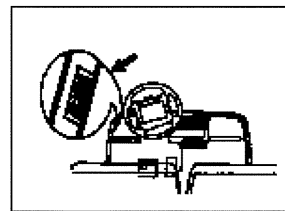
2006 G28AC (JU91)

Applicable Serial No.

Engine Serial No.



Frame Serial No.



STARTING SERIAL NO. (G28AZ): JU9-000101 and following
STARTING SERIAL NO. (G28AZ): JU9-000101 and following
STARTING SERIAL NO. (G28AC): JU9-300101 and following

OWNERS LIT-19626-01-08
ASSEMBLY LIT-11666-01-08
SERVICE LIT-11616-01-08

CONTENTS

ACCELERATOR	C1
AIR SHROUD FAN	A8
BODY	C11-12
BODY 2	D1
BODY FITTING	D2
BRAKE	B9-10
BRAKE 2	B11
BRAKE 3	B12
BUMPER	C10
CAMSHAFT VALVE	A7
CARBURETOR	A10
CARRIER JU9-300101~	D5-6
CARRIER ~JU9-300100	D3-4
CRANKCASE	A12
CRANKSHAFT PISTON	A6
CYLINDER HEAD	A5
ELECTRICAL 1 JU9-300101~	E2
ELECTRICAL 1 ~JU9-300100	D11
ELECTRICAL 2	D12 ,E1
ENGINE ASSEMBLY	A4
ENGINE BRACKET	B1
EXHAUST	A11
FRAME	B3
FRONT SUSPENSION WHEEL	B4-5
FUEL TANK	B8
GOVERNOR	C2
HEADLIGHT	D10
INTAKE	A9
PRIMARY SHEAVE	C3
REAR ARM SUSPENSION	B2
REAR AXLE MOUNT WHEEL	C8
SEAT	D7
SECONDARY SHEAVE	C4
SHIFTER CABLES	C9
STARTING MOTOR	D8-9
STEERING	B6-7
TRANSMISSION 1	C5-7
~MODELS IN THIS CATALOG	E3

CONTENTS

ACCELERATOR	C1
AIR SHROUD FAN	A8
BODY	C11-12
BODY 2	D1
BODY FITTING	D2
BRAKE	B9-10
BRAKE 2	B11
BRAKE 3	B12
BUMPER	C10
CAMSHAFT VALVE	A7
CARBURETOR	A10
CARRIER JU9-300101~	D5-6
CARRIER ~JU9-300100	D3-4
CRANKCASE	A12
CRANKSHAFT PISTON	A6
CYLINDER HEAD	A5
ELECTRICAL 1 JU9-300101~	E2
ELECTRICAL 1 ~JU9-300100	D11
ELECTRICAL 2	D12 ,E1
ENGINE ASSEMBLY	A4
ENGINE BRACKET	B1
EXHAUST	A11
FRAME	B3
FRONT SUSPENSION WHEEL	B4-5
FUEL TANK	B8
GOVERNOR	C2
HEADLIGHT	D10
INTAKE	A9
PRIMARY SHEAVE	C3
REAR ARM SUSPENSION	B2
REAR AXLE MOUNT WHEEL	C8
SEAT	D7
SECONDARY SHEAVE	C4
SHIFTER CABLES	C9
STARTING MOTOR	D8-9
STEERING	B6-7
TRANSMISSION 1	C5-7
~MODELS IN THIS CATALOG	E3

FOREWORD

This Parts Catalogue is related to the parts for the model(s) on the cover page. When you are ordering replacement parts, please refer to this Parts Catalogue and quote both part numbers and part names correctly.

1. Modifications or additions which have been made after the issue of the Parts Catalogue will be announced in the Parts News.
It is advisable that you make the necessary corrections to the Parts Catalogue according to the Parts News.

2. Abbreviations
The following abbreviations are used in this Parts Catalogue.

- "UR" Use specified parts number.
- "UN" Use as many as needed.
- "AP" Alternate Parts
- "LM" Locally Made (Parts need to be ordered locally)
- "F#" Frame No. (Applicable machine No.)
- "O/S" Over Size

3. The number of components for assembly
 - Parts, which are to be supplied in an assembly, are listed with a dot (.) in front of the part name as shown below.
 - The numeral appearing to the right of each component part indicates the quantity of parts for each assembly unit.

PART NO.	DESCRIPTION	Q'TY	REMARKS
2F5-83310-60	FRONT FLASHER LIGHT ASSY	2	
115-83311-60	.BULB (6V-18W)	1	

4. Applicable colours of graphics are represented in the "REMARKS" as shown below.

PART NO.	DESCRIPTION	Q'TY	REMARKS
2N4-24110-00-X5	FUEL TANK COMP.	2	MXR
3J1-24240-10	.GRAPHIC, FUEL TANK	1	FOR MXR

5. Note that the illustrations for reference in finding parts numbers are not to be used for assembling. When assembling, please use the applicable service manual.

6. The asterisk (*) before a reference number indicates modified items after the first edition.

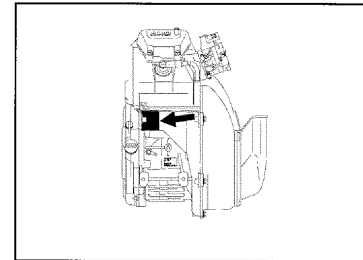
CONTENTS

ACCELERATOR	C1
AIR SHROUD FAN	A8
BODY	C11-12
BODY 2	D1
BODY FITTING	D2
BRAKE	B9-10
BRAKE 2	B11
BRAKE 3	B12
BUMPER	C10
CAMSHAFT VALVE	A7
CARBURETOR	A10
CARRIER JU9-300101~	D5-6
CARRIER ~JU9-300100	D3-4
CRANKCASE	A12
CRANKSHAFT PISTON	A6
CYLINDER HEAD	A5
ELECTRICAL 1 JU9-300101~	E2
ELECTRICAL 1 ~JU9-300100	D11
ELECTRICAL 2	D12 ,E1
ENGINE ASSEMBLY	A4
ENGINE BRACKET	B1
EXHAUST	A11
FRAME	B3
FRONT SUSPENSION WHEEL	B4-5
FUEL TANK	B8
GOVERNOR	C2
HEADLIGHT	D10
INTAKE	A9
PRIMARY SHEAVE	C3
REAR ARM SUSPENSION	B2
REAR AXLE MOUNT WHEEL	C8
SEAT	D7
SECONDARY SHEAVE	C4
SHIFTER CABLES	C9
STARTING MOTOR	D8-9
STEERING	B6-7
TRANSMISSION 1	C5-7
~MODELS IN THIS CATALOG	E3

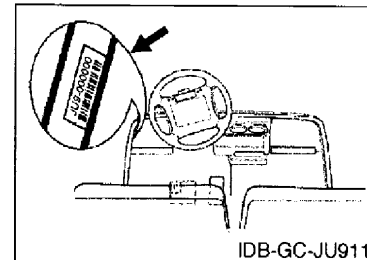
FOREWORD

7. Applicable Serial No.

Engine Serial No.



Frame Serial No.



10. Applicable Starting Serial No.

Frame Serial No.

Serial No.	Name Of Q'ty Column	Model Code
JU9-000101	JU91	JU91

8. Applicable Colour Code (The (*) mark shows Model colour.)

Abbreviation	Colour Name	Colour Code

9. Quantity Column Information

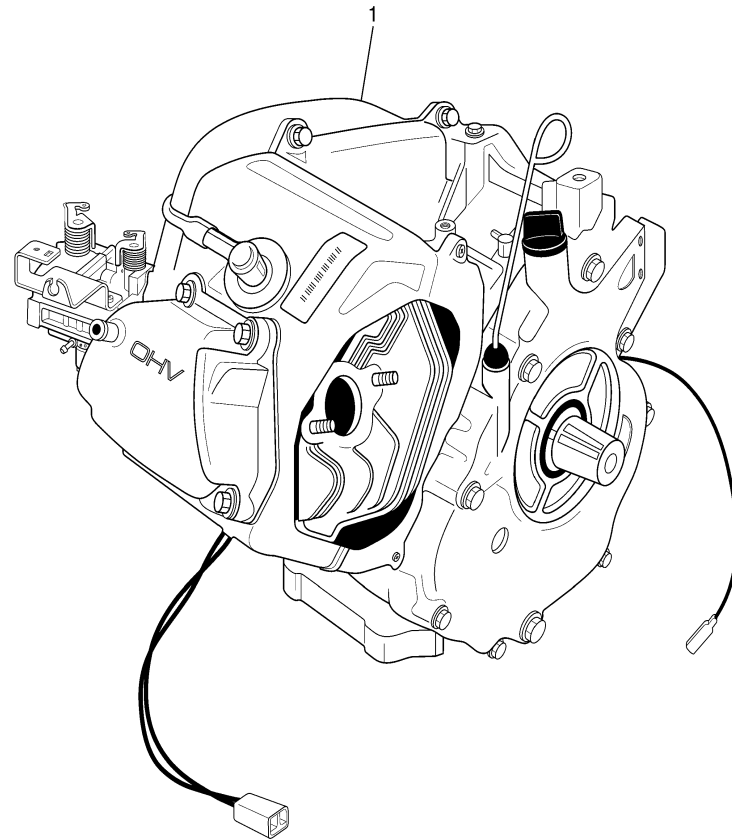
Column No.	Name Of Q'ty Column	Destination
1	JU91	U.S.A

ENGINE ASSEMBLY

Ref. No.	Part Number	Description	Qty	Remarks
1	JR6-19001-00-00	ENGINE ASSEMBLY	1	

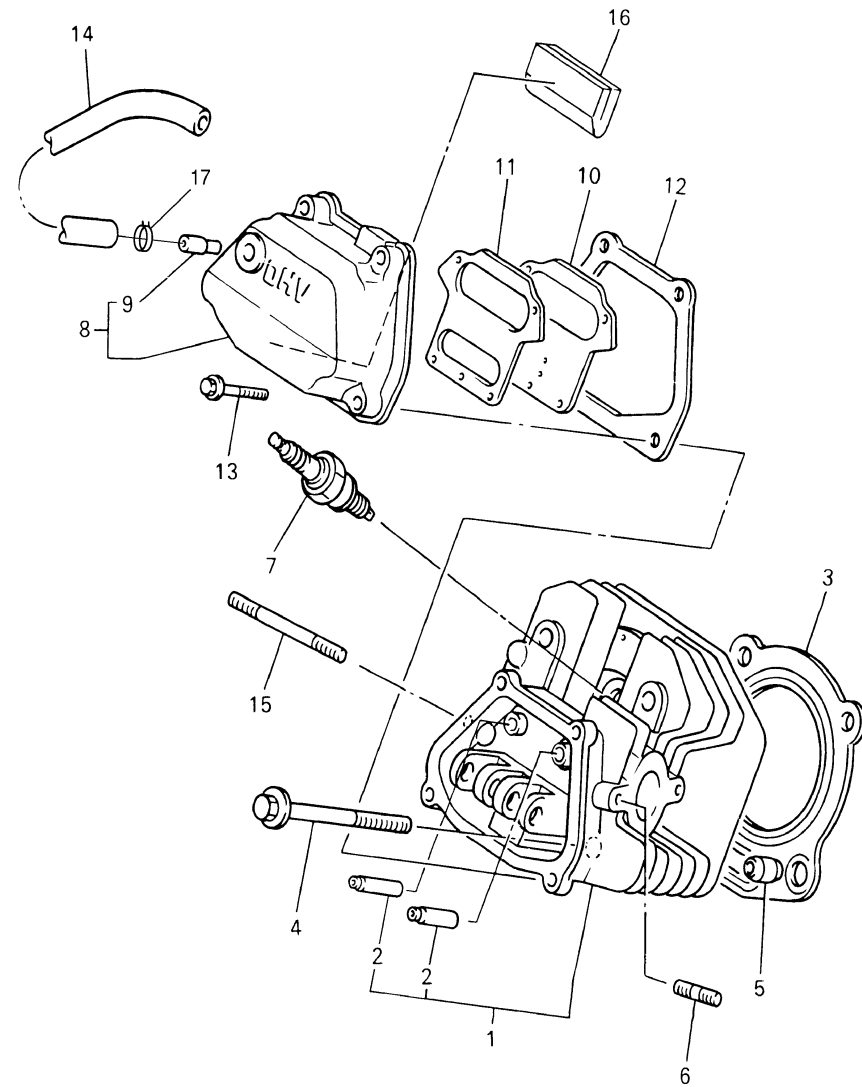
CONTENTS

ACCELERATOR	C1
AIR SHROUD FAN	A8
BODY	C11-12
BODY 2	D1
BODY FITTING	D2
BRAKE	B9-10
BRAKE 2	B11
BRAKE 3	B12
BUMPER	C10
CAMSHAFT VALVE	A7
CARBURETOR	A10
CARRIER JU9-300101~	D5-6
CARRIER ~JU9-300100	D3-4
CRANKCASE	A12
CRANKSHAFT PISTON	A6
CYLINDER HEAD	A5
ELECTRICAL 1 JU9-300101~	E2
ELECTRICAL 1 ~JU9-300100	D11
ELECTRICAL 2	D12 ,E1
ENGINE ASSEMBLY	A4
ENGINE BRACKET	B1
EXHAUST	A11
FRAME	B3
FRONT SUSPENSION WHEEL	B4-5
FUEL TANK	B8
GOVERNOR	C2
HEADLIGHT	D10
INTAKE	A9
PRIMARY SHEAVE	C3
REAR ARM SUSPENSION	B2
REAR AXLE MOUNT WHEEL	C8
SEAT	D7
SECONDARY SHEAVE	C4
SHIFTER CABLES	C9
STARTING MOTOR	D8-9
STEERING	B6-7
TRANSMISSION 1	C5-7
~MODELS IN THIS CATALOG	E3



JW41110-C010

CYLINDER HEAD



Ref. No.	Part Number	Description	Qty	Remarks
1	JT0-11111-00-00	HEAD, CYLINDER 1	1	
2	JN6-11133-10-00	. GUIDE, INTAKE VALVE	2	
3	JT0-11181-00-00	GASKET, CYLINDER HEAD 1	1	
4	95817-10070-00	BOLT, FLANGE	4	
5	99530-14016-00	PIN, DOWEL	2	
6	95627-08618-00	BOLT, STUD	2	
7	94702-00343-00	PLUG, SPARK	1	AP
	94702-00348-00	PLUG, SPARK	1	STD
8	JN6-11191-01-00	COVER, CYLINDER HEAD 1	1	
9	JN6-11116-00-00	. JOINT, BREATHER PIPE	1	
10	JN6-11168-00-00	COVER, BREATHER	1	
11	JN6-11169-00-00	GASKET, BREATHER COVER	1	
12	JN6-11193-00-00	GASKET, HEAD COVER 1	1	
13	95827-06030-00	BOLT, FLANGE	4	
14	JN6-E1166-00-00	PIPE, BREATHER 1	1	
15	95607-08710-00	BOLT, STUD	2	
16	JR7-11163-00-00	ELEMENT	1	
17	90467-13847-00	CLAMP	2	

CONTENTS

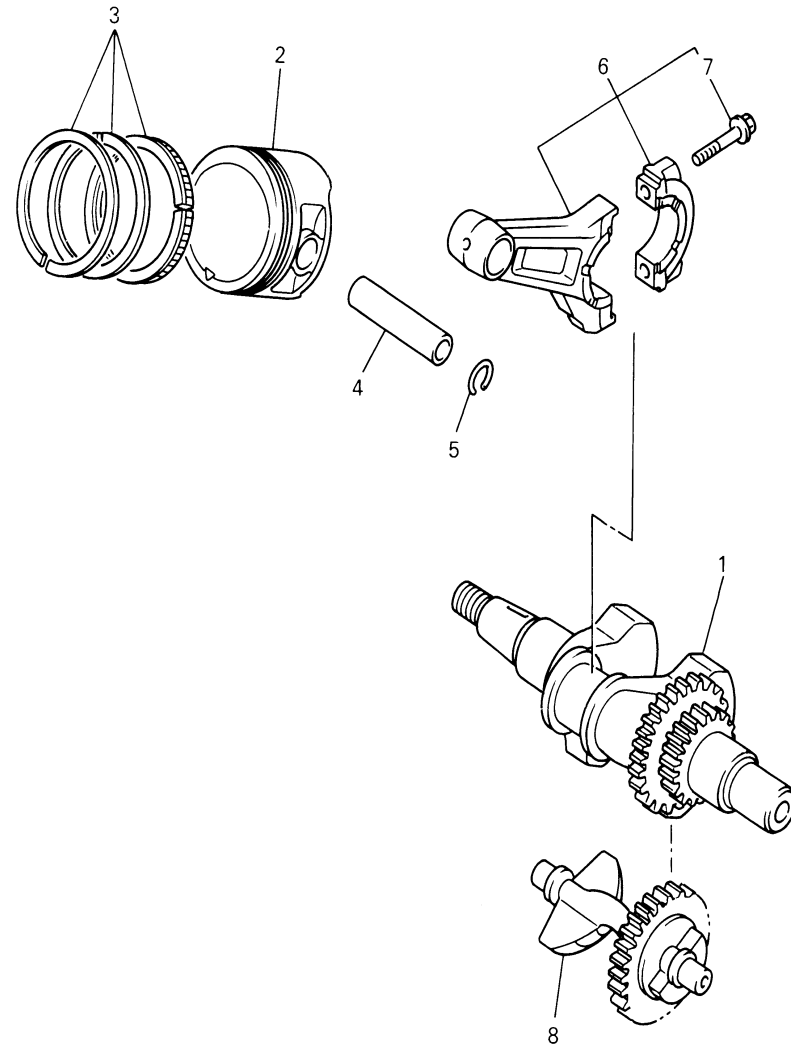
ACCELERATOR	C1
AIR SHROUD FAN	A8
BODY	C11-12
BODY 2	D1
BODY FITTING	D2
BRAKE	B9-10
BRAKE 2	B11
BRAKE 3	B12
BUMPER	C10
CAMSHAFT VALVE	A7
CARBURETOR	A10
CARRIER JU9-300101~	D5-6
CARRIER ~JU9-300100	D3-4
CRANKCASE	A12
CRANKSHAFT PISTON	A6
CYLINDER HEAD	A5
ELECTRICAL 1 JU9-300101~	E2
ELECTRICAL 1 ~JU9-300100	D11
ELECTRICAL 2	D12, E1
ENGINE ASSEMBLY	A4
ENGINE BRACKET	B1
EXHAUST	A11
FRAME	B3
FRONT SUSPENSION WHEEL	B4-5
FUEL TANK	B8
GOVERNOR	C2
HEADLIGHT	D10
INTAKE	A9
PRIMARY SHEAVE	C3
REAR ARM SUSPENSION	B2
REAR AXLE MOUNT WHEEL	C8
SEAT	D7
SECONDARY SHEAVE	C4
SHIFTER CABLES	C9
STARTING MOTOR	D8-9
STEERING	B6-7
TRANSMISSION 1	C5-7
~MODELS IN THIS CATALOG	E3



JT01010-0011

CRANKSHAFT PISTON

Ref. No.	Part Number	Description	Qty	Remarks
1	JN6-11400-00-00	CRANKSHAFT ASSY	1	
2	JR7-11631-00-A0	PISTON (STD)	1	
	JR7-11635-00-00	PISTON (0.25MM O/S)	1	AP
	JR7-11636-00-00	PISTON (0.50MM O/S)	1	AP
3	JR7-11610-00-00	PISTON RING SET (STD)	1	
	JR7-11610-10-00	PISTON RING SET (0.25MM O/S)	1	AP
	JR7-11610-20-00	PISTON RING SET (0.50MM O/S)	1	AP
4	583-11633-00-00	PIN, PISTON	1	
5	93450-21053-00	CIRCLIP	2	
6	JN6-11650-00-00	CONNECTING ROD ASSY	1	
7	JN6-11654-00-00	. BOLT, CONNECTING ROD ..	2	
8	JN6-11454-00-00	WEIGHT 1	1	



CONTENTS

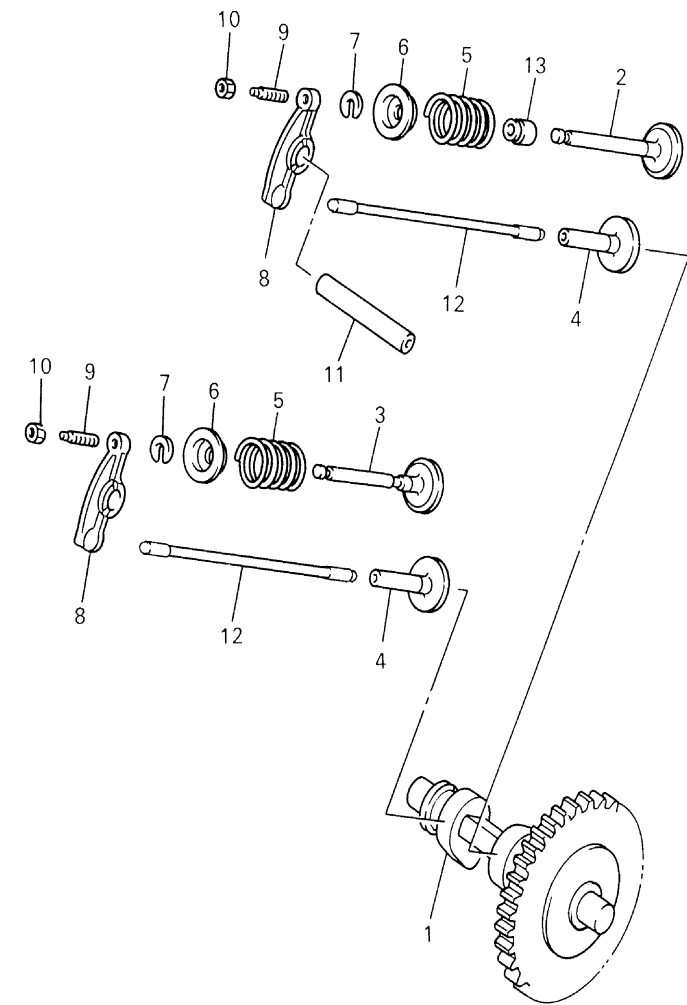
ACCELERATOR	C1
AIR SHROUD FAN	A8
BODY	C11-12
BODY 2	D1
BODY FITTING	D2
BRAKE	B9-10
BRAKE 2	B11
BRAKE 3	B12
BUMPER	C10
CAMSHAFT VALVE	A7
CARBURETOR	A10
CARRIER JU9-300101~	D5-6
CARRIER ~JU9-300100	D3-4
CRANKCASE	A12
CRANKSHAFT PISTON	A6
CYLINDER HEAD	A5
ELECTRICAL 1 JU9-300101~	E2
ELECTRICAL 1 ~JU9-300100	D11
ELECTRICAL 2	D12 ,E1
ENGINE ASSEMBLY	A4
ENGINE BRACKET	B1
EXHAUST	A11
FRAME	B3
FRONT SUSPENSION WHEEL	B4-5
FUEL TANK	B8
GOVERNOR	C2
HEADLIGHT	D10
INTAKE	A9
PRIMARY SHEAVE	C3
REAR ARM SUSPENSION	B2
REAR AXLE MOUNT WHEEL	C8
SEAT	D7
SECONDARY SHEAVE	C4
SHIFTER CABLES	C9
STARTING MOTOR	D8-9
STEERING	B6-7
TRANSMISSION 1	C5-7
-MODELS IN THIS CATALOG	E3



JN7010-6020

CAMSHAFT VALVE

Ref. No.	Part Number	Description	Qty	Remarks
1	JR7-12170-00-00	CAMSHAFT ASSY 1	1	
2	JN6-12111-01-00	VALVE, INTAKE	1	
3	7RH-12121-00-00	VALVE, EXHAUST	1	
4	JN6-12153-00-00	LIFTER, VALVE	2	
5	90501-264A9-00	SPRING, COMPRESSION	2	
6	J38-12117-01-00	RETAINER, VALVE SPRING ..	2	
7	J38-12118-00-00	COTTER, VALVE	2	
8	JN6-12151-00-00	ARM, VALVE ROCKER	2	
9	22F-12159-00-00	SCREW, VALVE ADJUSTING ..	2	
10	90170-05302-00	NUT	2	
11	J38-12156-00-00	SHAFT, ROCKER 2	1	
12	JR7-12154-01-00	ROD, VALVE PUSH	2	
13	4G0-12119-00-00	SEAL, VALVE STEM	1	



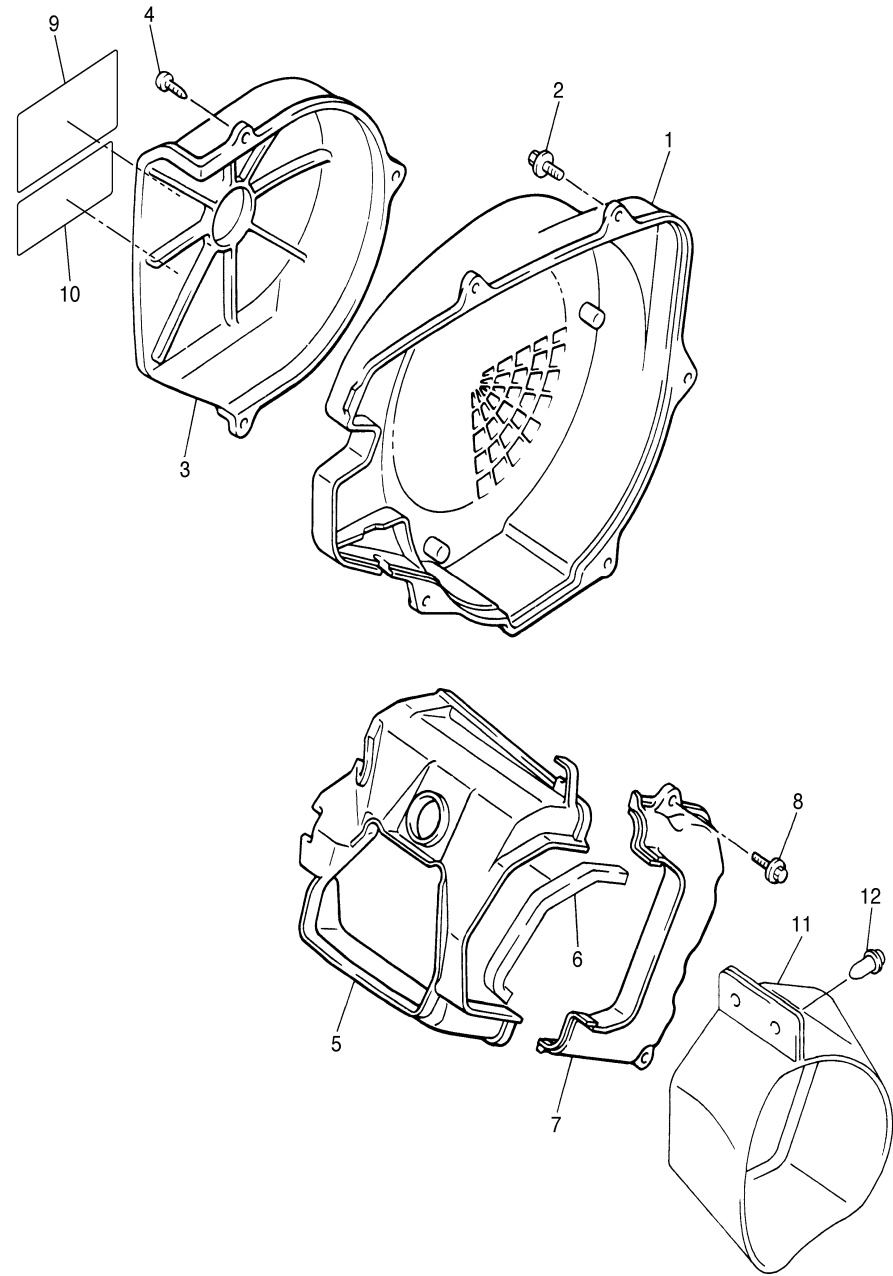
CONTENTS

ACCELERATOR	C1
AIR SHROUD FAN	A8
BODY	C11-12
BODY 2	D1
BODY FITTING	D2
BRAKE	B9-10
BRAKE 2	B11
BRAKE 3	B12
BUMPER	C10
CAMSHAFT VALVE	A7
CARBURETOR	A10
CARRIER JU9-300101~	D5-6
CARRIER ~JU9-300100	D3-4
CRANKCASE	A12
CRANKSHAFT PISTON	A6
CYLINDER HEAD	A5
ELECTRICAL 1 JU9-300101~	E2
ELECTRICAL 1 ~JU9-300100	D11
ELECTRICAL 2	D12 ,E1
ENGINE ASSEMBLY	A4
ENGINE BRACKET	B1
EXHAUST	A11
FRAME	B3
FRONT SUSPENSION WHEEL	B4-5
FUEL TANK	B8
GOVERNOR	C2
HEADLIGHT	D10
INTAKE	A9
PRIMARY SHEAVE	C3
REAR ARM SUSPENSION	B2
REAR AXLE MOUNT WHEEL	C8
SEAT	D7
SECONDARY SHEAVE	C4
SHIFTER CABLES	C9
STARTING MOTOR	D8-9
STEERING	B6-7
TRANSMISSION 1	C5-7
~MODELS IN THIS CATALOG	E3



JT01010-0030

AIR SHROUD FAN



Ref. No.	Part Number	Description	Qty	Remarks
1	JN6-12621-00-00	CASE, FAN	1	
2	95807-06020-00	BOLT, FLANGE	5	
3	JN6-12616-00-00	COVER, FAN CASE	1	
4	97707-60520-00	SCREW, TAPPING	3	
5	JN6-12651-00-00	AIR SHROUD, CYLINDER 1 ...	1	
6	JR7-12658-00-00	DAMPER, AIR SHROUD 1	1	
7	JN6-12652-00-00	AIR SHROUD, CYLINDER 2 ...	1	
8	95807-06020-00	BOLT, FLANGE	2	
9	JR6-2179R-01-00	PLATE, EPA 2 (CALIFORNIA) .	1	
10	7UH-2111F-00-00	LABEL, EMISSION	1	
11	JN6-E2691-00-00	DUCT, 1	1	
12	90269-08813-00	RIVET	2	

CONTENTS

ACCELERATOR	C1
AIR SHROUD FAN	A8
BODY	C11-12
BODY 2	D1
BODY FITTING	D2
BRAKE	B9-10
BRAKE 2	B11
BRAKE 3	B12
BUMPER	C10
CAMSHAFT VALVE	A7
CARBURETOR	A10
CARRIER JU9-300101~	D5-6
CARRIER ~JU9-300100	D3-4
CRANKCASE	A12
CRANKSHAFT PISTON	A6
CYLINDER HEAD	A5
ELECTRICAL 1 JU9-300101~	E2
ELECTRICAL 1 ~JU9-300100	D11
ELECTRICAL 2	D12 ,E1
ENGINE ASSEMBLY	A4
ENGINE BRACKET	B1
EXHAUST	A11
FRAME	B3
FRONT SUSPENSION WHEEL	B4-5
FUEL TANK	B8
GOVERNOR	C2
HEADLIGHT	D10
INTAKE	A9
PRIMARY SHEAVE	C3
REAR ARM SUSPENSION	B2
REAR AXLE MOUNT WHEEL	C8
SEAT	D7
SECONDARY SHEAVE	C4
SHIFTER CABLES	C9
STARTING MOTOR	D8-9
STEERING	B6-7
TRANSMISSION 1	C5-7
~MODELS IN THIS CATALOG	E3



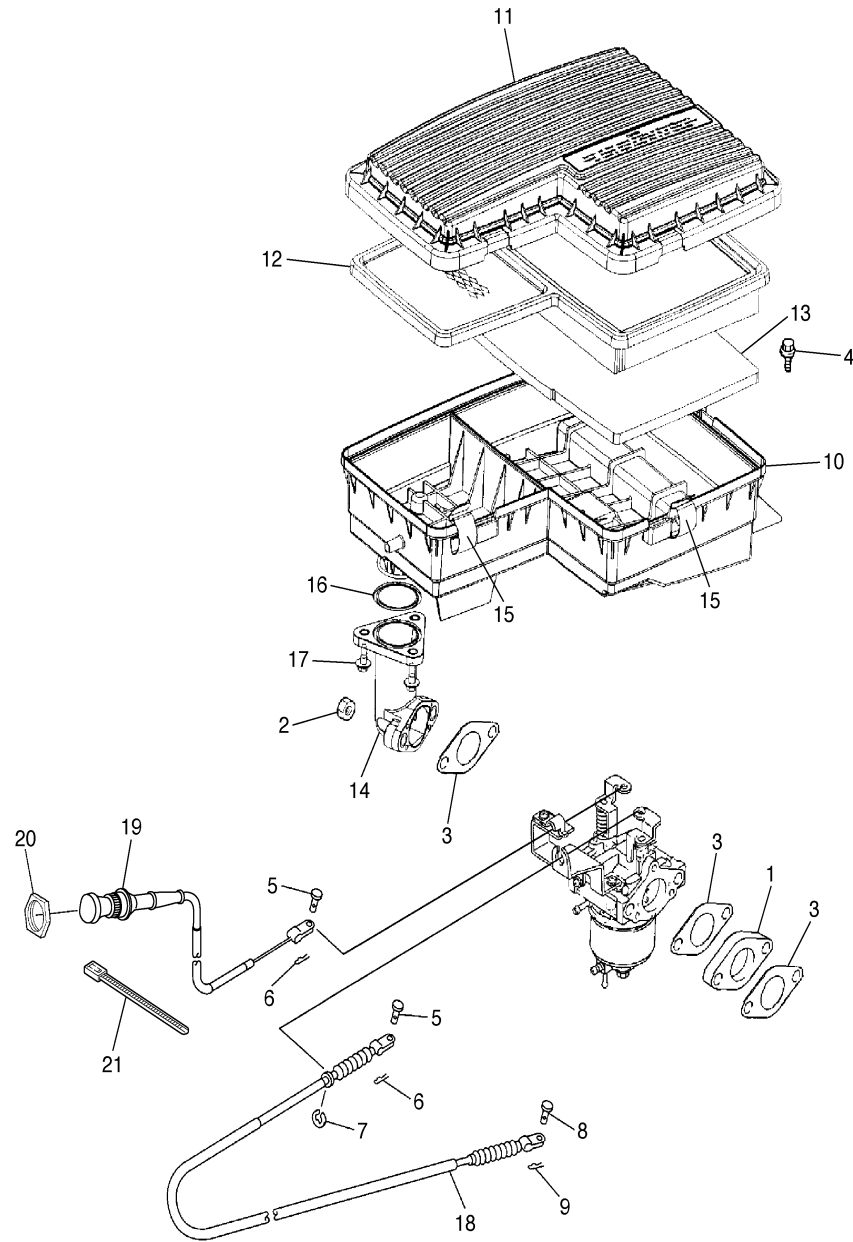
JW41110-C050

INTAKE

Ref. No.	Part Number	Description	Qty	Remarks
1	JN6-13595-00-00	JOINT	1	
2	95707-08500-00	NUT, FLANGE	2	
3	JN6-13567-00-00	GASKET	3	
4	90119-06838-00	BOLT, HEX HEAD WITH WASHER	2	
5	91701-05010-00	PIN, CYLINDER. HEAD	2	
6	90468-10049-00	CLIP	2	
7	99001-07600-00	CIRCLIP	1	
8	91701-05010-00	PIN, CYLINDER. HEAD	1	
9	90468-10049-00	CLIP	1	
10	JN6-E4411-02-00 JU0-E4411-00-00	CASE, AIR FILTER	1	~JU9-300100
11	JN6-E4412-01-00 JU0-E4412-00-00	CAP, CASE 1	1	~JU9-300100
12	JN6-E4450-01-00 JU0-E4450-00-00	ELEMENT ASSY, AIR CLEANER	1	~JU9-300100
13	JN6-E445E-00-00 JU0-E445E-00-00	FILTER 1	1	~JU9-300100
14	JN6-E3586-01-00 JU0-E3586-00-00	JOINT, CARBURETOR 1	1	~JU9-300100
15	JN6-E4424-00-00 5UH-E4424-00-00	CLIP, CAP FITTING	5	~JU9-300100
16	93210-398D6-00	O-RING	1	
17	90105-06862-00	BOLT, FLANGE	3	
18	JN6-F6312-01-00	WIRE, THROTTLE 2	1	
19	J55-F6331-11-00	WIRE, STARTER	1	
20	JN6-F6333-10-00	NUT	1	
21	90464-31827-00	CLAMP	1	

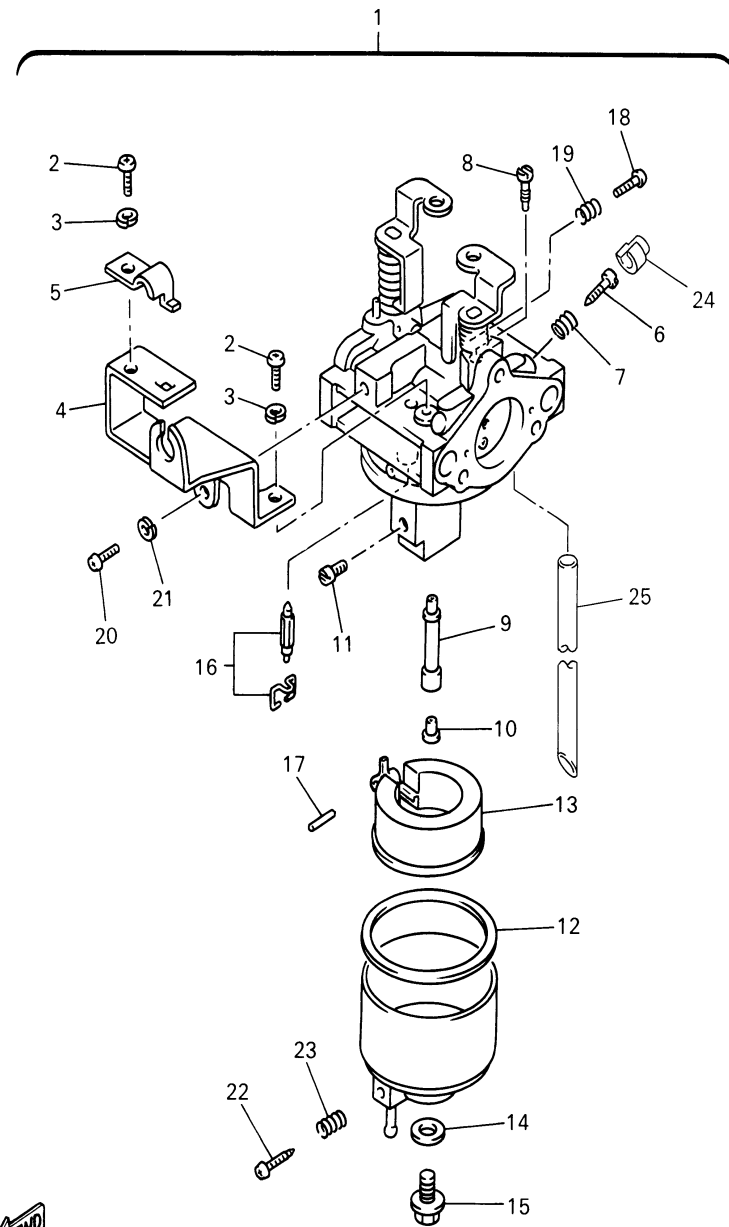
CONTENTS

ACCELERATOR	C1
AIR SHROUD FAN	A8
BODY	C11-12
BODY 2	D1
BODY FITTING	D2
BRAKE	B9-10
BRAKE 2	B11
BRAKE 3	B12
BUMPER	C10
CAMSHAFT VALVE	A7
CARBURETOR	A10
CARRIER JU9-300101~	D5-6
CARRIER ~JU9-300100	D3-4
CRANKCASE	A12
CRANKSHAFT PISTON	A6
CYLINDER HEAD	A5
ELECTRICAL 1 JU9-300101~	E2
ELECTRICAL 1 ~JU9-300100	D11
ELECTRICAL 2	D12 ,E1
ENGINE ASSEMBLY	A4
ENGINE BRACKET	B1
EXHAUST	A11
FRAME	B3
FRONT SUSPENSION WHEEL	B4-5
FUEL TANK	B8
GOVERNOR	C2
HEADLIGHT	D10
INTAKE	A9
PRIMARY SHEAVE	C3
REAR ARM SUSPENSION	B2
REAR AXLE MOUNT WHEEL	C8
SEAT	D7
SECONDARY SHEAVE	C4
SHIFTER CABLES	C9
STARTING MOTOR	D8-9
STEERING	B6-7
TRANSMISSION 1	C5-7
~MODELS IN THIS CATALOG	E3



JW51110-C060

CARBURETOR



JR61100-1060

Ref. No.	Part Number	Description	Qty	Remarks
1	JR6-14101-00-00	CARBURETOR ASSY 1	1	
2	98507-05008-00	. SCREW, PAN HEAD	2	
3	92990-05100-00	. WASHER, SPRING	2	
4	JN6-14291-00-00	. BRACKET 1	1	
5	J10-14227-00-00	. PLATE	1	
6	7NJ-14211-00-00	. SCREW, PILOT ADJUSTING	1	
7	73A-14212-10-00	. SPRING	1	
8	732-14142-65-A0	. JET, PILOT (#65.0)	1	
9	JN6-1495H-3B-00	. NOZZLE, MAIN	1	
10	73A-1414G-00-00	. PIPE, MAIN BLEED	1	
11	3G2-1423A-67-00	. JET, MAIN (#82.5)	1	AP
	3G2-1423A-68-A0	. JET, MAIN (#87.5)	1	STD
	3G2-1423E-33-A0	. JET, MAIN (#83.8)	1	AP
12	796-14184-00-00	. GASKET, FLOAT CHMBR	1	
13	JN6-14185-00-00	. FLOAT	1	
14	127-14198-00-00	. GASKET	1	
15	7R1-14162-00-00	. BOLT, HOLDING	1	
16	JN5-14150-00-00	. NEEDLE ASSY	1	
17	22F-14186-00-00	. PIN, FLOAT	1	
18	1WG-14922-00-00	. SCREW, THROTTLE	1	
19	73A-14212-10-00	. SPRING	1	
20	98507-04010-00	. SCREW, PAN HEAD	1	
21	92902-04100-00	. WASHER, SPRING	1	
22	7E1-14191-00-00	. PLUG, DRAIN	1	
23	73A-14212-00-00	. SPRING	1	
24	7LV-14118-00-00	. CAP	1	
25	1KT-14197-01-00	. VENT HOSE	1	

CONTENTS

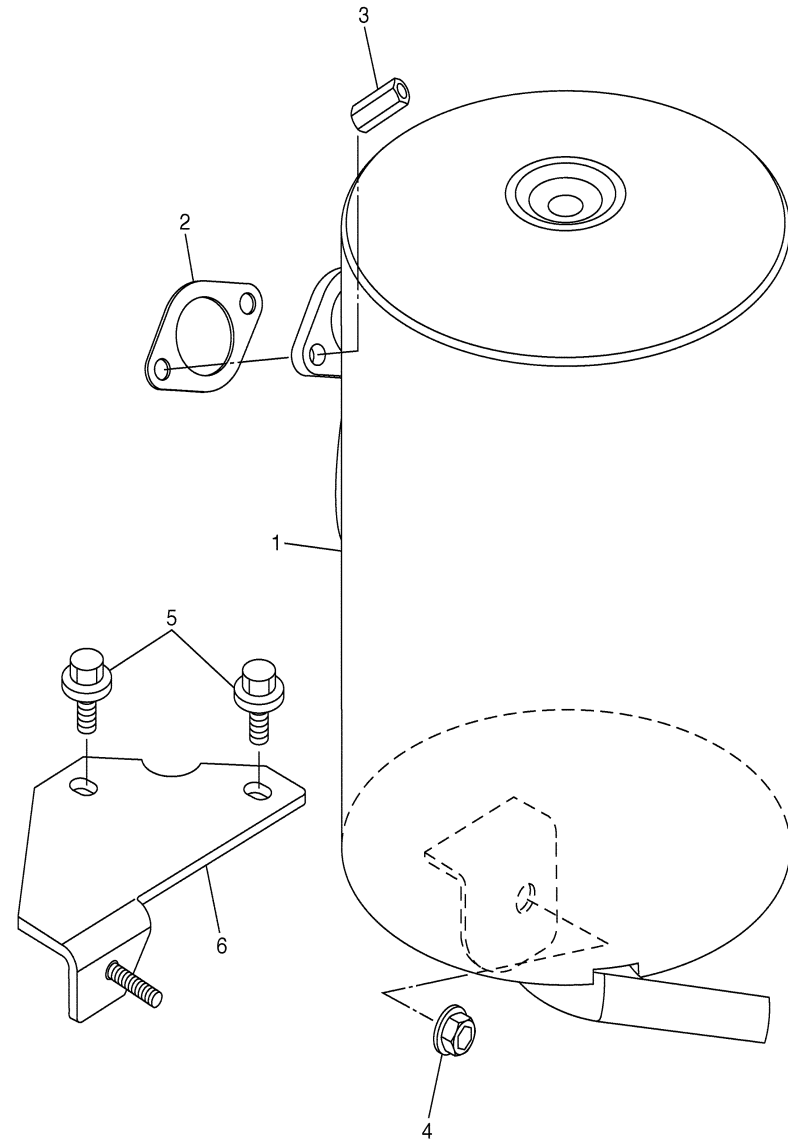
ACCELERATOR	C1
AIR SHROUD FAN	A8
BODY	C11-12
BODY 2	D1
BODY FITTING	D2
BRAKE	B9-10
BRAKE 2	B11
BRAKE 3	B12
BUMPER	C10
CAMSHAFT VALVE	A7
CARBURETOR	A10
CARRIER JU9-300101~	D5-6
CARRIER ~JU9-300100	D3-4
CRANKCASE	A12
CRANKSHAFT PISTON	A6
CYLINDER HEAD	A5
ELECTRICAL 1 JU9-300101~	E2
ELECTRICAL 1 ~JU9-300100	D11
ELECTRICAL 2	D12, E1
ENGINE ASSEMBLY	A4
ENGINE BRACKET	B1
EXHAUST	A11
FRAME	B3
FRONT SUSPENSION WHEEL	B4-5
FUEL TANK	B8
GOVERNOR	C2
HEADLIGHT	D10
INTAKE	A9
PRIMARY SHEAVE	C3
REAR ARM SUSPENSION	B2
REAR AXLE MOUNT WHEEL	C8
SEAT	D7
SECONDARY SHEAVE	C4
SHIFTER CABLES	C9
STARTING MOTOR	D8-9
STEERING	B6-7
TRANSMISSION 1	C5-7
~MODELS IN THIS CATALOG	E3

EXHAUST

Ref. No.	Part Number	Description	Qty	Remarks
1	JU0-E4710-10-00	MUFFLER ASSY 1	1	
2	7KY-14613-01-00	GASKET, EXHAUST 1	1	
3	90179-08879-00	NUT	2	
4	90185-08841-00	NUT, SELF-LOCKING	1	
5	90119-08825-00	BOLT, HEX. HEAD WITH WASHER	2	
6	JN6-F1435-10-00	BRACKET, MUFFLER 1	1	

CONTENTS

ACCELERATOR	C1
AIR SHROUD FAN	A8
BODY	C11-12
BODY 2	D1
BODY FITTING	D2
BRAKE	B9-10
BRAKE 2	B11
BRAKE 3	B12
BUMPER	C10
CAMSHAFT VALVE	A7
CARBURETOR	A10
CARRIER JU9-300101~	D5-6
CARRIER ~JU9-300100	D3-4
CRANKCASE	A12
CRANKSHAFT PISTON	A6
CYLINDER HEAD	A5
ELECTRICAL 1 JU9-300101~	E2
ELECTRICAL 1 ~JU9-300100	D11
ELECTRICAL 2	D12 ,E1
ENGINE ASSEMBLY	A4
ENGINE BRACKET	B1
EXHAUST	A11
FRAME	B3
FRONT SUSPENSION WHEEL	B4-5
FUEL TANK	B8
GOVERNOR	C2
HEADLIGHT	D10
INTAKE	A9
PRIMARY SHEAVE	C3
REAR ARM SUSPENSION	B2
REAR AXLE MOUNT WHEEL	C8
SEAT	D7
SECONDARY SHEAVE	C4
SHIFTER CABLES	C9
STARTING MOTOR	D8-9
STEERING	B6-7
TRANSMISSION 1	C5-7
~MODELS IN THIS CATALOG	E3



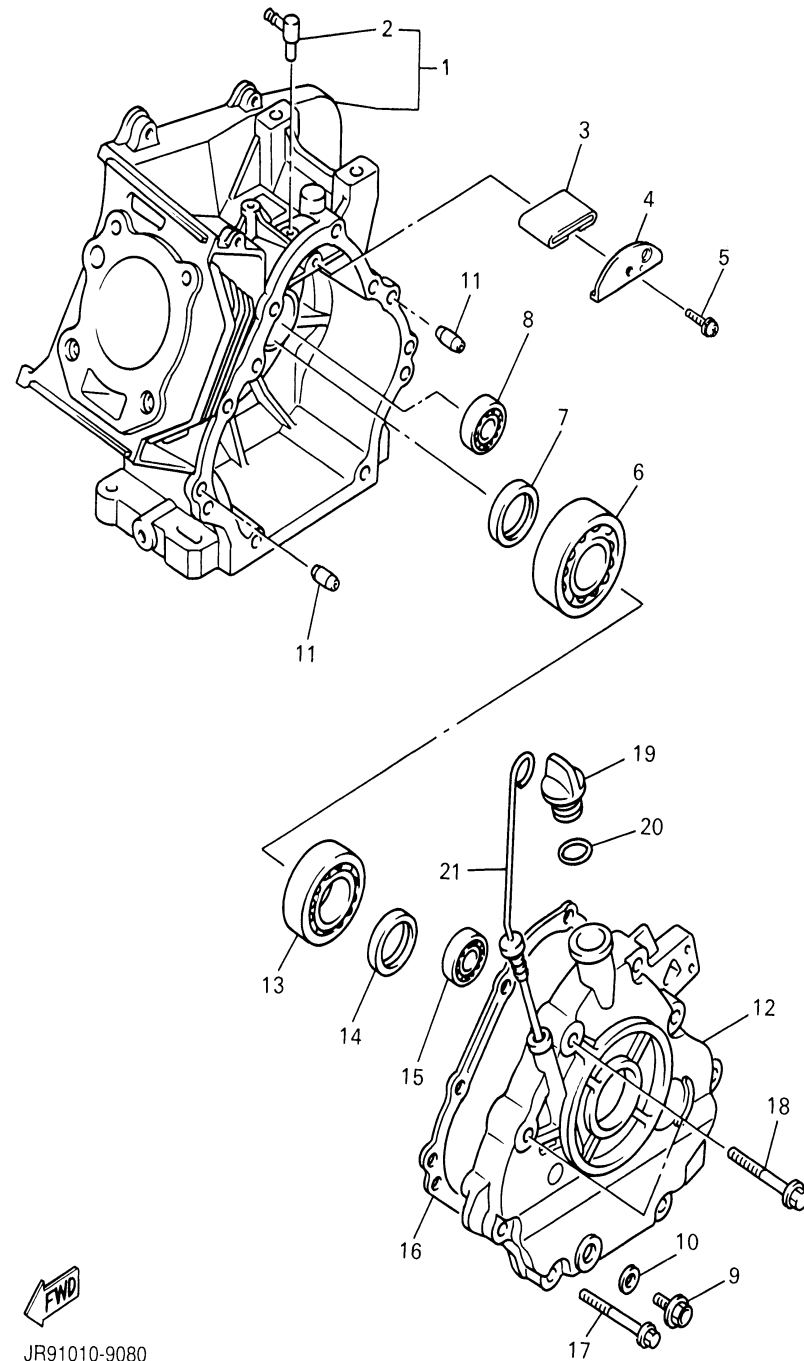
JT71010-B070

CRANKCASE

Ref. No.	Part Number	Description	Qty	Remarks
1	JR7-15100-00-00	CRANKCASE ASSY	1	
2	JN6-15155-00-00	. NOZZLE 3	1	
3	JR7-15407-00-00	ELEMENT 1	1	
4	JR7-15123-00-00	PLATE, BUFFLE 1	1	
5	90159-06107-00	SCREW, W/WASHER	1	
6	93306-30709-00	BEARING	1	
7	93102-35014-00	OIL SEAL	1	
8	93306-20201-00	BEARING (B6202)	1	
9	90340-12097-00	PLUG, STRAIGHT SCREW	1	
10	812-11198-00-00	GASKET	1	
11	99530-08016-00	PIN, DOWEL	2	
12	JN6-15411-00-00	COVER, CRANKCASE 1	1	~JU9-300100
	JN6-15411-01-00	COVER, CRANKCASE 1	1	JU9-300101~
13	93306-20714-00	BEARING	1	
14	93102-35014-00	OIL SEAL	1	
15	93306-20201-00	BEARING (B6202)	1	
16	JN6-15451-02-00	GASKET, CRANKCASE COVER 1	1	
17	95817-08045-00	BOLT, FLANGE	6	
18	95817-10050-00	BOLT, FLANGE	2	
19	796-15363-01-00	PLUG, OIL	1	
20	93210-22344-00	O-RING	1	
21	J38-15361-00-00	GAUGE, LEVEL	1	

CONTENTS

ACCELERATOR	C1
AIR SHROUD FAN	A8
BODY	C11-12
BODY 2	D1
BODY FITTING	D2
BRAKE	B9-10
BRAKE 2	B11
BRAKE 3	B12
BUMPER	C10
CAMSHAFT VALVE	A7
CARBURETOR	A10
CARRIER JU9-300101~	D5-6
CARRIER ~JU9-300100	D3-4
CRANKCASE	A12
CRANKSHAFT PISTON	A6
CYLINDER HEAD	A5
ELECTRICAL 1 JU9-300101~	E2
ELECTRICAL 1 ~JU9-300100	D11
ELECTRICAL 2	D12 ,E1
ENGINE ASSEMBLY	A4
ENGINE BRACKET	B1
EXHAUST	A11
FRAME	B3
FRONT SUSPENSION WHEEL	B4-5
FUEL TANK	B8
GOVERNOR	C2
HEADLIGHT	D10
INTAKE	A9
PRIMARY SHEAVE	C3
REAR ARM SUSPENSION	B2
REAR AXLE MOUNT WHEEL	C8
SEAT	D7
SECONDARY SHEAVE	C4
SHIFTER CABLES	C9
STARTING MOTOR	D8-9
STEERING	B6-7
TRANSMISSION 1	C5-7
~MODELS IN THIS CATALOG	E3



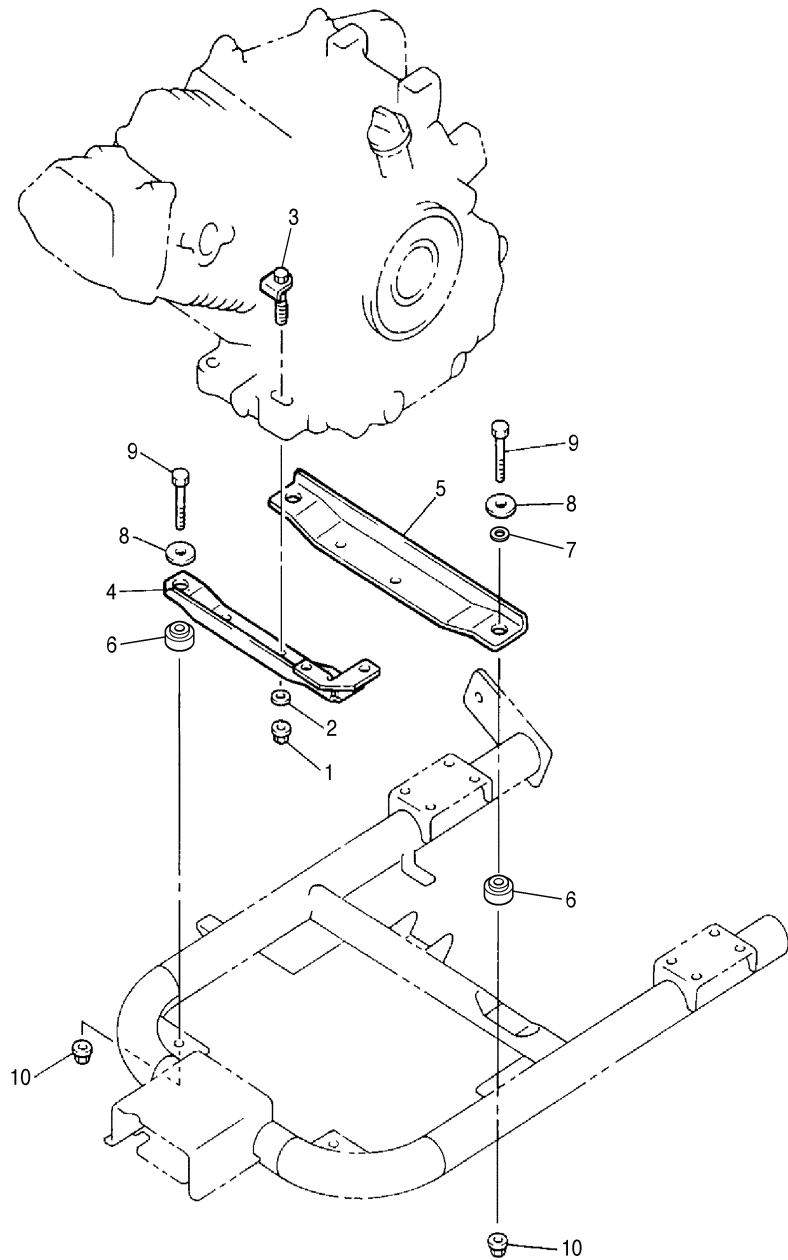
JR91010-9080

ENGINE BRACKET

Ref. No.	Part Number	Description	Qty	Remarks
1	9560P-10200-00	NUT, U-FLANGE	4	
2	9290P-10200-00	WASHER	4	
3	JN6-F1481-00-00	BOLT, ENGINE MOUNTING 1	4	
4	JN6-F1411-00-00	BRACKET, ENGINE 1	1	
5	JN6-F1419-02-00	BRACKET, ENGINE 2	1	
6	JR3-F1459-00-00	SPACER	4	
7	9299R-08200-00	WASHER	2	
8	90201-088K6-00	WASHER, PLATE	4	
9	90101-08880-00	BOLT, HEX	4	
10	90179-08885-00	NUT, U-FLANGE	4	

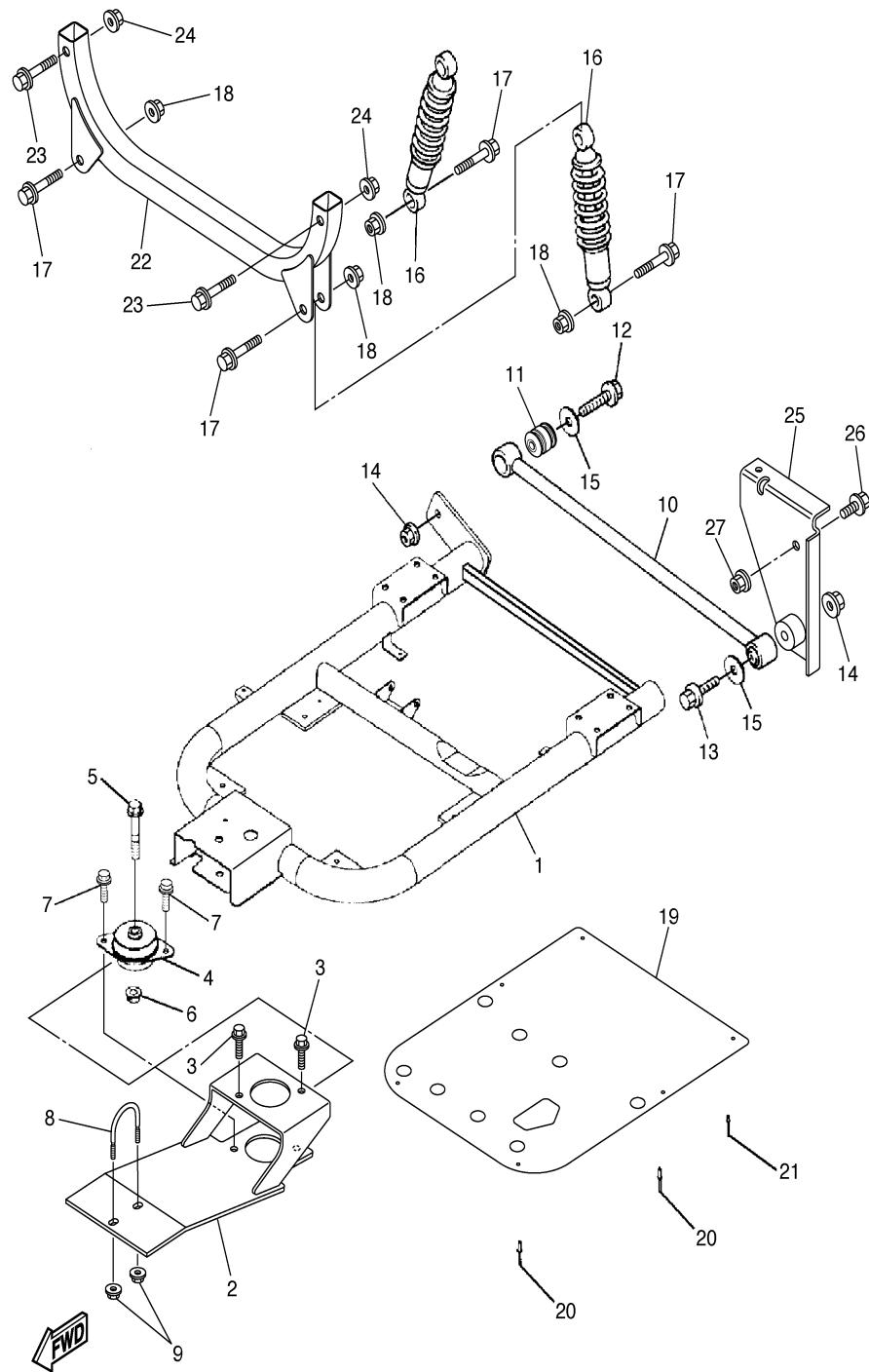
CONTENTS

ACCELERATOR	C1
AIR SHROUD FAN	A8
BODY	C11-12
BODY 2	D1
BODY FITTING	D2
BRAKE	B9-10
BRAKE 2	B11
BRAKE 3	B12
BUMPER	C10
CAMSHAFT VALVE	A7
CARBURETOR	A10
CARRIER JU9-300101~	D5-6
CARRIER ~JU9-300100	D3-4
CRANKCASE	A12
CRANKSHAFT PISTON	A6
CYLINDER HEAD	A5
ELECTRICAL 1 JU9-300101~	E2
ELECTRICAL 1 ~JU9-300100	D11
ELECTRICAL 2	D12 ,E1
ENGINE ASSEMBLY	A4
ENGINE BRACKET	B1
EXHAUST	A11
FRAME	B3
FRONT SUSPENSION WHEEL	B4-5
FUEL TANK	B8
GOVERNOR	C2
HEADLIGHT	D10
INTAKE	A9
PRIMARY SHEAVE	C3
REAR ARM SUSPENSION	B2
REAR AXLE MOUNT WHEEL	C8
SEAT	D7
SECONDARY SHEAVE	C4
SHIFTER CABLES	C9
STARTING MOTOR	D8-9
STEERING	B6-7
TRANSMISSION 1	C5-7
~MODELS IN THIS CATALOG	E3



JW51110-C100

REAR ARM SUSPENSION



JW51110-C110

Ref. No.	Part Number	Description	Qty	Remarks
1	JN6-F2110-02-00	REAR ARM COMP.	1	
2	JU9-F2403-10-00	UNDER BRACKET COMP	1	
3	9581P-10020-00	BOLT, FLANGE	2	
4	JN6-F2123-10-00	BUSH 1	1	
5	90105-13864-00	BOLT, FLANGE	1	
6	90179-13878-00	NUT	1	
7	9581P-10020-00	BOLT, FLANGE	2	
8	JU9-F1631-00-00	BOLT 1	1	
9	9560P-10200-00	NUT, U-FLANGE	2	
10	JN6-F217G-00-00	ROD, CONNECTING ASSY ...	1	
11	JN6-F2124-10-00	BUSH 2	2	
12	9581P-12065-00	BOLT, FLANGE	1	
13	9581P-12090-00	BOLT, FLANGE	1	
14	9560P-12200-00	NUT, FLANGE	2	
15	90201-128S4-00	WASHER, PLATE	2	
16	JR6-F2210-00-00	SHOCK ABSORBER	2	
17	9581P-12065-00	BOLT, FLANGE	4	
18	90185-12072-00	NUT, SELF-LOCKING	4	
19	JN6-F2128-01-00	COVER, 1	1	
20	90267-48850-00	RIVET, BLIND	4	
21	90267-40851-00	RIVET, BLIND	2	
22	JU9-F5920-00-00	SUPT. BRKT. ASSY.	1	
23	9581P-12065-00	BOLT, FLANGE	2	
24	90185-12072-00	NUT, SELF-LOCKING	2	
25	JU9-F253H-00-00	BRKT., ROD PLATE 2	1	
26	9581P-12025-00	BOLT, FLANGE	2	
27	9560P-12200-00	NUT, FLANGE	2	

CONTENTS

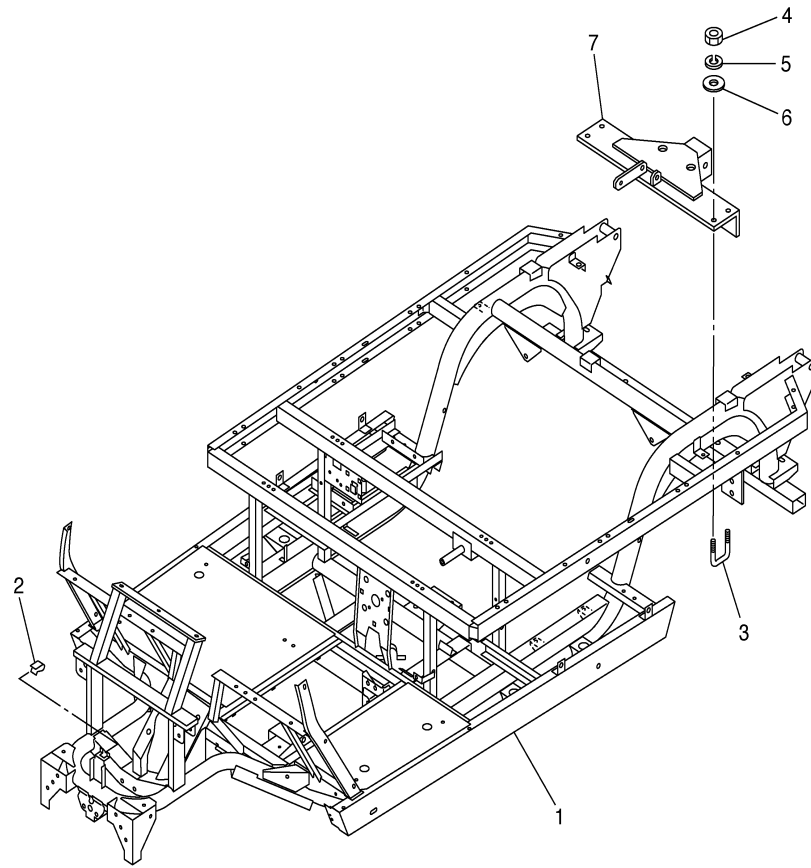
ACCELERATOR	C1
AIR SHROUD FAN	A8
BODY	C11-12
BODY 2	D1
BODY FITTING	D2
BRAKE	B9-10
BRAKE 2	B11
BRAKE 3	B12
BUMPER	C10
CAMSHAFT VALVE	A7
CARBURETOR	A10
CARRIER JU9-300101~	D5-6
CARRIER ~JU9-300100	D3-4
CRANKCASE	A12
CRANKSHAFT PISTON	A6
CYLINDER HEAD	A5
ELECTRICAL 1 JU9-300101~	E2
ELECTRICAL 1 ~JU9-300100	D11
ELECTRICAL 2	D12, E1
ENGINE ASSEMBLY	A4
ENGINE BRACKET	B1
EXHAUST	A11
FRAME	B3
FRONT SUSPENSION WHEEL	B4-5
FUEL TANK	B8
GOVERNOR	C2
HEADLIGHT	D10
INTAKE	A9
PRIMARY SHEAVE	C3
REAR ARM SUSPENSION	B2
REAR AXLE MOUNT WHEEL	C8
SEAT	D7
SECONDARY SHEAVE	C4
SHIFTER CABLES	C9
STARTING MOTOR	D8-9
STEERING	B6-7
TRANSMISSION 1	C5-7
~MODELS IN THIS CATALOG	E3

FRAME

Ref. No.	Part Number	Description	Qty	Remarks
1	JU9-F2501-00-00	FRAME COMP.	1	
2	JU0-F2567-00-00	SUPPORT 1	1	
3	90109-10862-00	BOLT	2	
4	90170-10847-00	NUT, HEX	4	
5	9290P-10100-00	WASHER	4	
6	9290P-10200-00	WASHER	4	
7	JW5-F722B-00-00	BAR, TOW	1	

CONTENTS

ACCELERATOR	C1
AIR SHROUD FAN	A8
BODY	C11-12
BODY 2	D1
BODY FITTING	D2
BRAKE	B9-10
BRAKE 2	B11
BRAKE 3	B12
BUMPER	C10
CAMSHAFT VALVE	A7
CARBURETOR	A10
CARRIER JU9-300101~	D5-6
CARRIER ~JU9-300100	D3-4
CRANKCASE	A12
CRANKSHAFT PISTON	A6
CYLINDER HEAD	A5
ELECTRICAL 1 JU9-300101~	E2
ELECTRICAL 1 ~JU9-300100	D11
ELECTRICAL 2	D12 ,E1
ENGINE ASSEMBLY	A4
ENGINE BRACKET	B1
EXHAUST	A11
FRAME	B3
FRONT SUSPENSION WHEEL	B4-5
FUEL TANK	B8
GOVERNOR	C2
HEADLIGHT	D10
INTAKE	A9
PRIMARY SHEAVE	C3
REAR ARM SUSPENSION	B2
REAR AXLE MOUNT WHEEL	C8
SEAT	D7
SECONDARY SHEAVE	C4
SHIFTER CABLES	C9
STARTING MOTOR	D8-9
STEERING	B6-7
TRANSMISSION 1	C5-7
~MODELS IN THIS CATALOG	E3



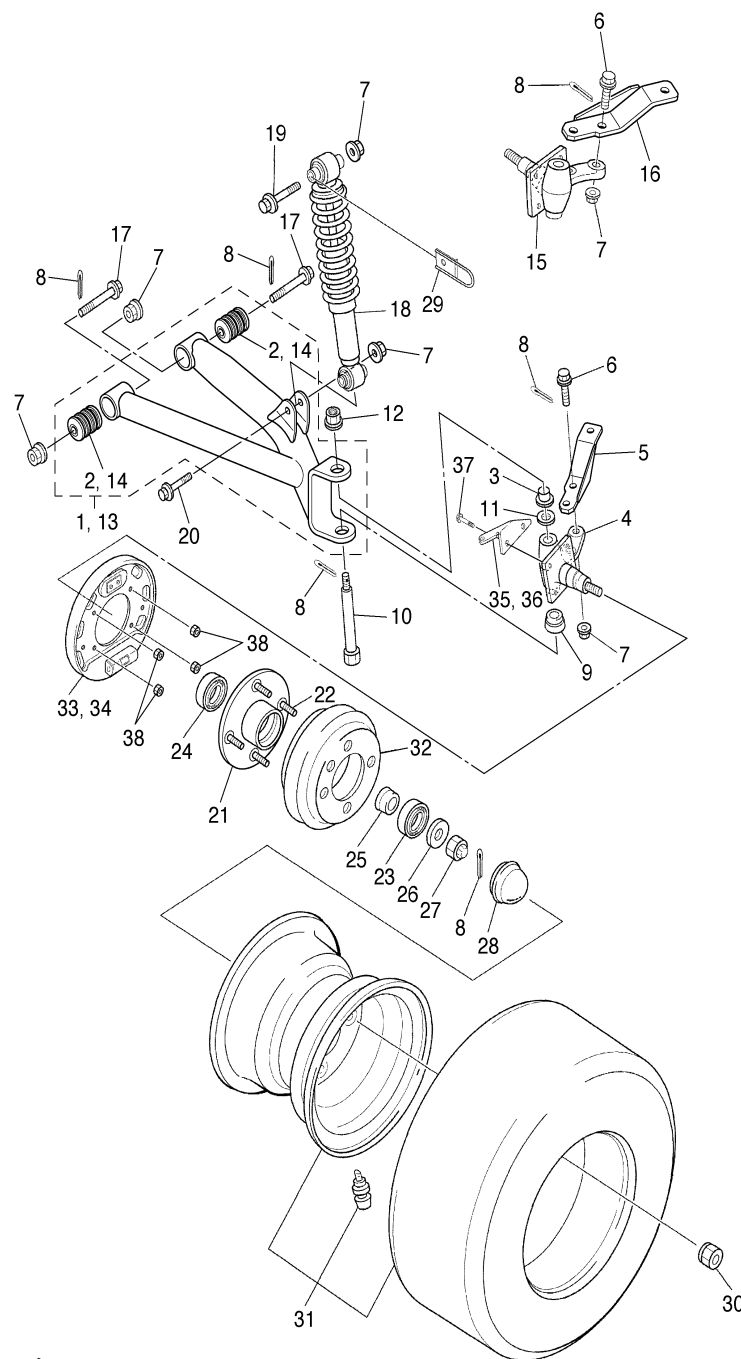
JU91110-C120

FRONT SUSPENSION WHEEL

Ref. No.	Part Number	Description	Qty	Remarks
1	JU9-F3570-00-00	FRONT LOWER ARM COMP. (LEFT)	1	
2	JN6-F3526-00-00	. BUSHING, ARM	2	
3	90384-15825-00	BUSH, BIMETAL	2	
4	JR6-F3501-10-00	STEERING KNUCKLE ASSY (LEFT)	1	
5	JU9-F3512-00-00	ARM, KNUCKLE 1	1	
6	90105-10895-00	BOLT, FLANGE	4	
7	95607-10200-00	NUT, R.H. THREAD	12	
8	91401-25020-00	PIN, COTTER	12	
9	J38-23527-00-00	SEAL, DUST	2	
10	JR6-F3516-00-00	PIN, STEERING KNUCKLE	2	
11	90201-158S6-00	WASHER, PLATE	2	
12	9560P-10200-00	NUT, U-FLANGE	2	
13	JU9-F3580-00-00	FRONT LOWER ARM COMP. (RIGHT)	1	
14	JN6-F3526-00-00	. BUSHING, ARM	2	
15	JR6-F3502-10-00	STEERING KNUCKLE ASSY (RIGHT)	1	
16	JU9-F3522-00-00	ARM, KNUCKLE 2	1	
17	90105-10894-00	BOLT, FLANGE	4	
18	JR6-F3350-00-00	SHOCK ABSORBER ASSY	2	
19	95807-10065-00	BOLT, FLANGE	2	
20	95807-10055-00	BOLT, FLANGE	2	
21	JR6-F5110-00-00	HUB ASSY, FRONT	2	
22	90114-12803-00	BOLT, KNURLED	8	
23	93306-204X0-00	BEARING	2	
24	93306-005Y3-00	BEARING	2	
25	90387-241M7-00	COLLAR	2	
26	90209-32832-00	WASHER	2	
27	95607-14100-00	NUT, U	2	

CONTENTS

ACCELERATOR	C1
AIR SHROUD FAN	A8
BODY	C11-12
BODY 2	D1
BODY FITTING	D2
BRAKE	B9-10
BRAKE 2	B11
BRAKE 3	B12
BUMPER	C10
CAMSHAFT VALVE	A7
CARBURETOR	A10
CARRIER JU9-300101~	D5-6
CARRIER ~JU9-300100	D3-4
CRANKCASE	A12
CRANKSHAFT PISTON	A6
CYLINDER HEAD	A5
ELECTRICAL 1 JU9-300101~	E2
ELECTRICAL 1 ~JU9-300100	D11
ELECTRICAL 2	D12, E1
ENGINE ASSEMBLY	A4
ENGINE BRACKET	B1
EXHAUST	A11
FRAME	B3
FRONT SUSPENSION WHEEL	B4-5
FUEL TANK	B8
GOVERNOR	C2
HEADLIGHT	D10
INTAKE	A9
PRIMARY SHEAVE	C3
REAR ARM SUSPENSION	B2
REAR AXLE MOUNT WHEEL	C8
SEAT	D7
SECONDARY SHEAVE	C4
SHIFTER CABLES	C9
STARTING MOTOR	D8-9
STEERING	B6-7
TRANSMISSION 1	C5-7
~MODELS IN THIS CATALOG	E3



JW51110-C130

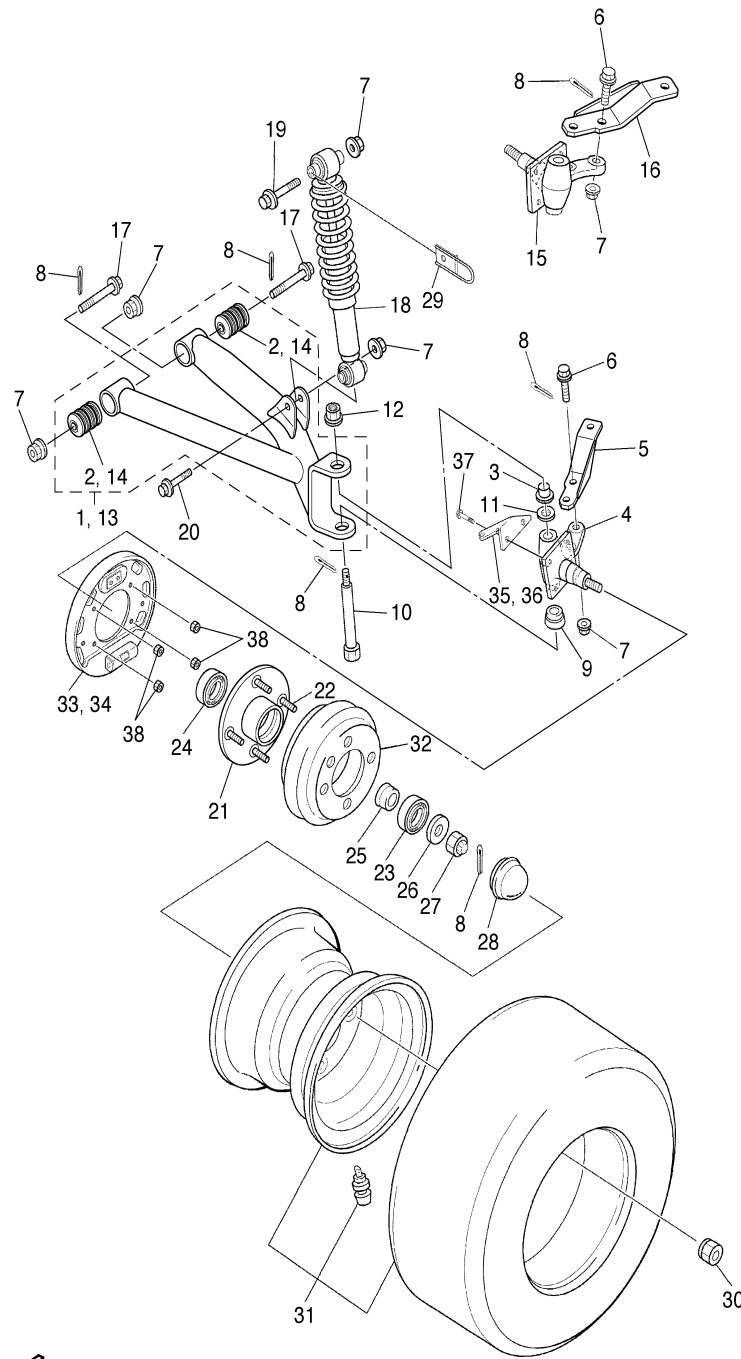
CONTINUED ON NEXT FRAME ►

FRONT SUSPENSION WHEEL

Ref. No.	Part Number	Description	Qty	Remarks
28	JN6-F5118-00-00	COVER, HUB DUST	2	
29	JR6-F1339-00-00	GUIDE, WIRE	2	
30	90179-12262-00	NUT	8	
31	JU9-F5100-00-00	WHEEL ASSY (22X11-10 6PLY 244)	2	
32	J55-G6521-10-00	DRUM	2	
33	JN6-F7290-03-00	BACKING PLATE ASSY L.H. ..	1	SEE BRAKE 2 (L.H)
34	JN6-F7280-03-00	BACKING PLATE ASSY R.H. ..	1	SEE BRAKE 3 (R.H)
35	JR6-F7263-00-00	BRACKET 1, L.H.	1	
36	JR6-F7264-00-00	BRACKET 1, R.H.	1	
37	9502P-08025-00	BOLT	8	
38	9560P-08200-00	NUT, SELF-LOCKING	8	

CONTENTS

ACCELERATOR	C1
AIR SHROUD FAN	A8
BODY	C11-12
BODY 2	D1
BODY FITTING	D2
BRAKE	B9-10
BRAKE 2	B11
BRAKE 3	B12
BUMPER	C10
CAMSHAFT VALVE	A7
CARBURETOR	A10
CARRIER JU9-300101~	D5-6
CARRIER ~JU9-300100	D3-4
CRANKCASE	A12
CRANKSHAFT PISTON	A6
CYLINDER HEAD	A5
ELECTRICAL 1 JU9-300101~	E2
ELECTRICAL 1 ~JU9-300100	D11
ELECTRICAL 2	D12 ,E1
ENGINE ASSEMBLY	A4
ENGINE BRACKET	B1
EXHAUST	A11
FRAME	B3
FRONT SUSPENSION WHEEL	B4-5
FUEL TANK	B8
GOVERNOR	C2
HEADLIGHT	D10
INTAKE	A9
PRIMARY SHEAVE	C3
REAR ARM SUSPENSION	B2
REAR AXLE MOUNT WHEEL	C8
SEAT	D7
SECONDARY SHEAVE	C4
SHIFTER CABLES	C9
STARTING MOTOR	D8-9
STEERING	B6-7
TRANSMISSION 1	C5-7
~MODELS IN THIS CATALOG	E3



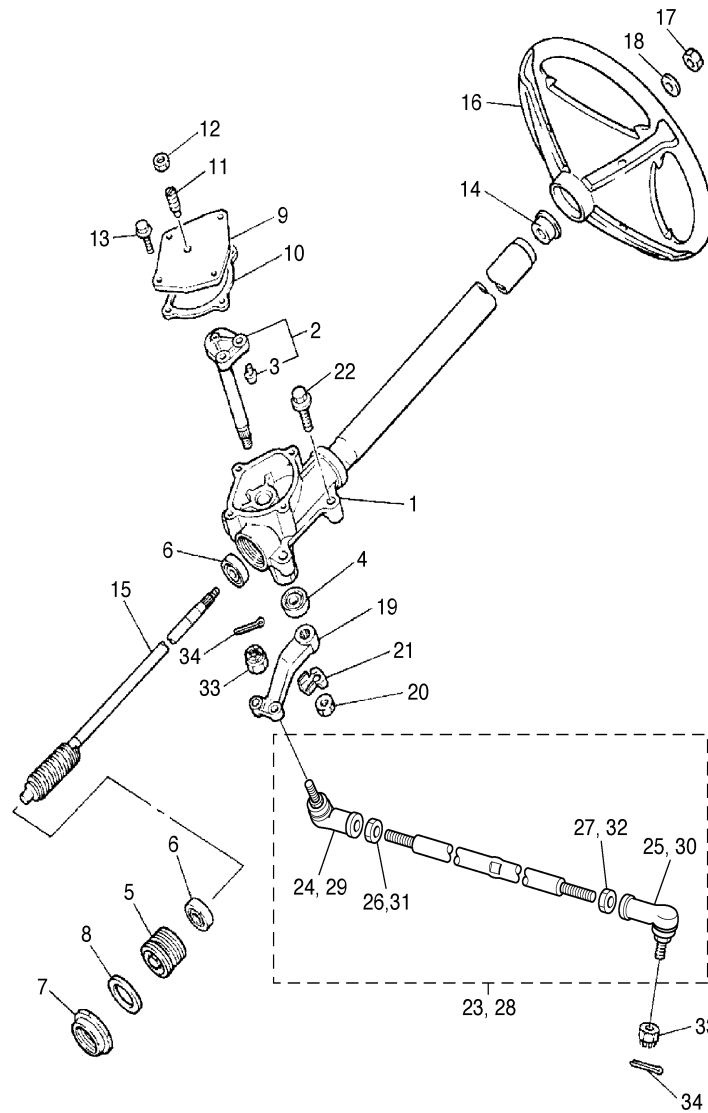
JW51110-C130

STEERING

Ref. No.	Part Number	Description	Qty	Remarks
1	JG5-F3811-00-00	COLUMN, STEERING	1	
2	J38-23816-00-00	ARM, PITMAN	1	
3	J38-23836-00-00	. PIN, PITMAN	2	
4	93102-22082-00	OIL SEAL	1	
5	J55-F3876-00-00	BOLT	1	
6	93332-000Y2-00	BEARING	2	
7	J10-23877-00-00	NUT	1	
8	J10-23444-00-00	WASHER	1	
9	JN3-F3818-00-00	COVER, STEERING	1	
10	J38-23462-01-00	SEAL, STEERING	1	
11	J10-F3459-00-00	BOLT	1	
12	90170-08024-00	NUT, HEX	1	
13	95807-06020-00	BOLT, FLANGE	4	
14	JN3-F3814-00-00	HOLDER, HANDLE	1	
15	J10-23840-00-00	STEERING SHAFT	1	
16	JN3-F3838-00-00	WHEEL, STEERING	1	
17	90185-12061-00	NUT, SELF-LOCKING	1	
18	9290P-12200-00	WASHER	1	
19	J38-23826-01-00	ARM, IDLER	1	
20	95707-16300-00	NUT, NYLON	1	
21	90215-16814-00	WASHER, TONGUE	1	
22	90105-10880-00	BOLT, FLANGE	4	
23	JU9-F3830-00-00	TIE ROD ASSY (L.H)	1	
24	JN6-F3841-00-00	. UNIVERSAL JOINT (RH THREAD)	1	
25	JN6-F3845-00-00	. UNIVERSAL JOINT (LH THREAD)	1	LH THREAD
26	9530N-10600-00	. NUT	1	
27	90170-10414-00	. NUT (LH THREAD)	1	LH THREAD
28	JU9-F3850-00-00	TIE ROD ASSY (R.H)	1	
29	JN6-F3841-00-00	. UNIVERSAL JOINT (RH THREAD)	1	

CONTENTS

ACCELERATOR	C1
AIR SHROUD FAN	A8
BODY	C11-12
BODY 2	D1
BODY FITTING	D2
BRAKE	B9-10
BRAKE 2	B11
BRAKE 3	B12
BUMPER	C10
CAMSHAFT VALVE	A7
CARBURETOR	A10
CARRIER JU9-300101~	D5-6
CARRIER ~JU9-300100	D3-4
CRANKCASE	A12
CRANKSHAFT PISTON	A6
CYLINDER HEAD	A5
ELECTRICAL 1 JU9-300101~	E2
ELECTRICAL 1 ~JU9-300100	D11
ELECTRICAL 2	D12 ,E1
ENGINE ASSEMBLY	A4
ENGINE BRACKET	B1
EXHAUST	A11
FRAME	B3
FRONT SUSPENSION WHEEL	B4-5
FUEL TANK	B8
GOVERNOR	C2
HEADLIGHT	D10
INTAKE	A9
PRIMARY SHEAVE	C3
REAR ARM SUSPENSION	B2
REAR AXLE MOUNT WHEEL	C8
SEAT	D7
SECONDARY SHEAVE	C4
SHIFTER CABLES	C9
STARTING MOTOR	D8-9
STEERING	B6-7
TRANSMISSION 1	C5-7
~MODELS IN THIS CATALOG	E3



JU91110-C140

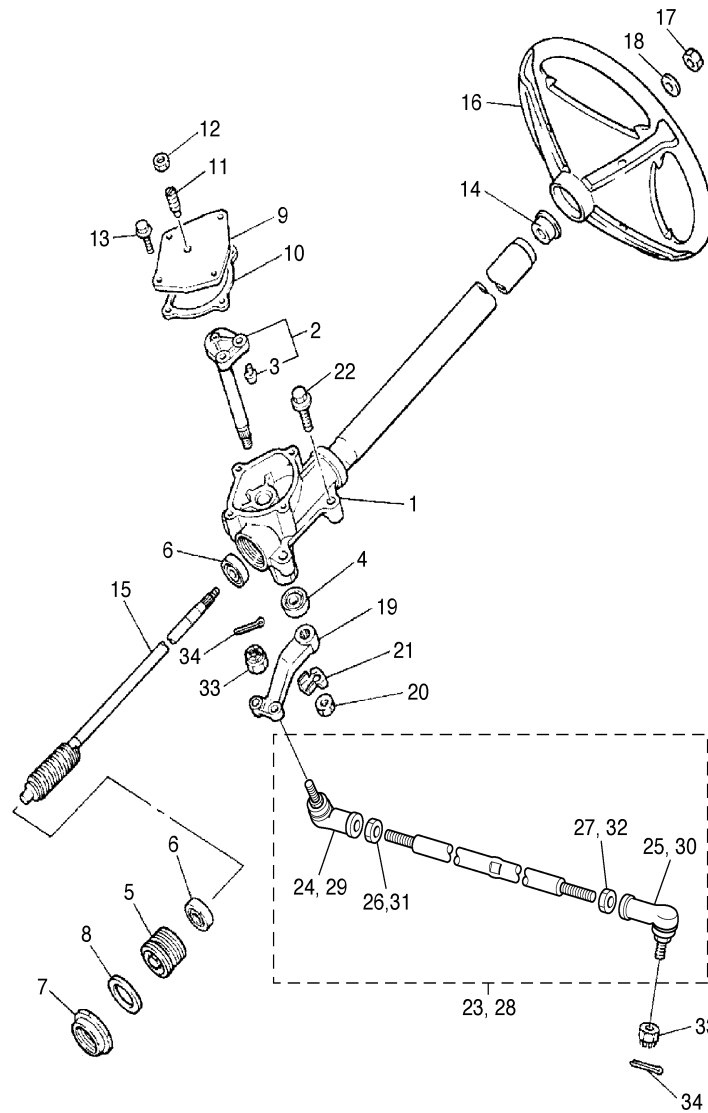
CONTINUED ON NEXT FRAME ►

STEERING

Ref. No.	Part Number	Description	Qty	Remarks
30	JN6-F3845-00-00	. UNIVERSAL JOINT (LH THREAD)	1	LH THREAD
31	9530N-10600-00	. NUT	1	
32	90170-10414-00	. NUT (LH THREAD)	1	LH THREAD
33	95607-10200-00	NUT, R.H. THREAD	4	
34	91401-25020-00	PIN, COTTER	4	

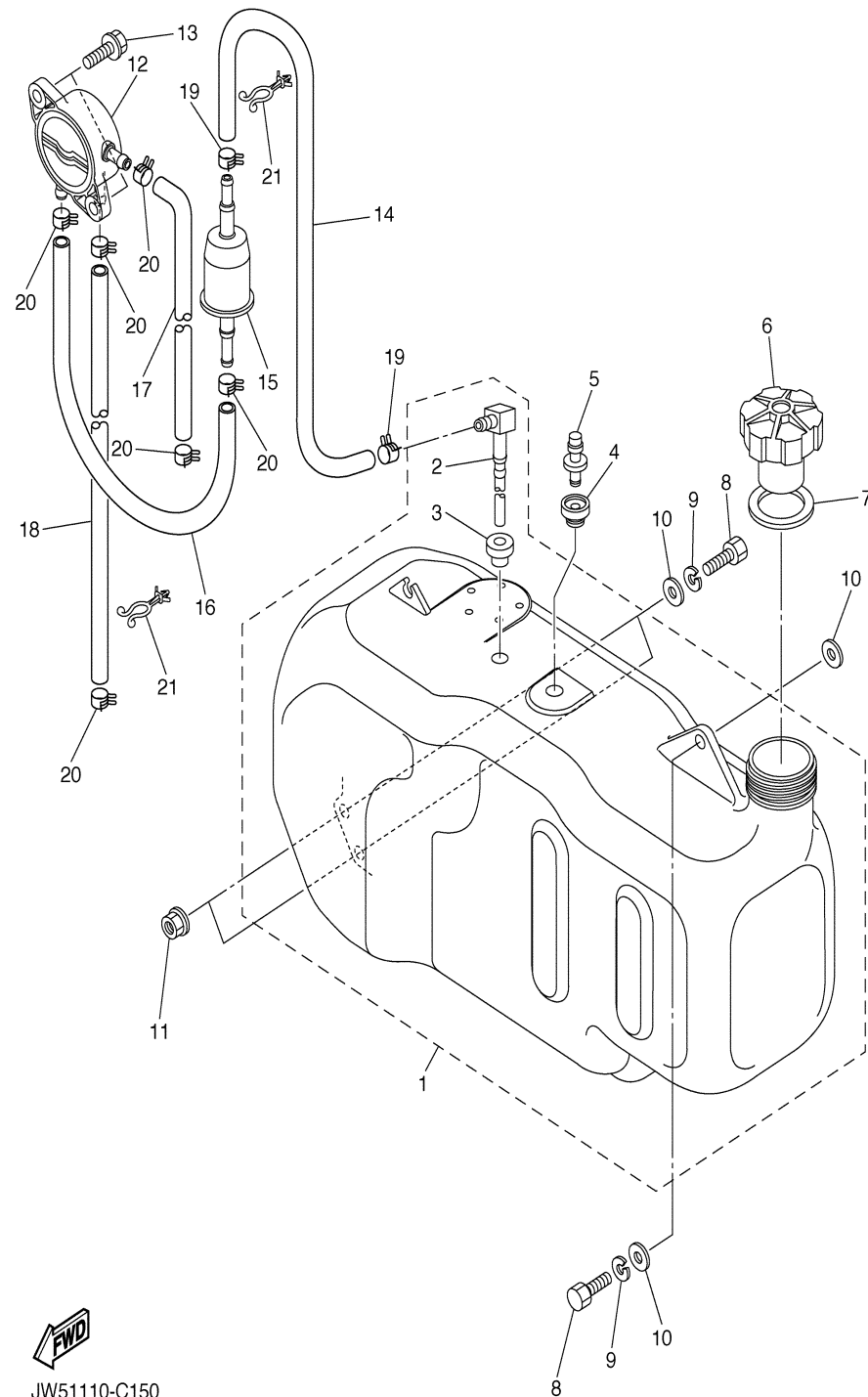
CONTENTS

ACCELERATOR	C1
AIR SHROUD FAN	A8
BODY	C11-12
BODY 2	D1
BODY FITTING	D2
BRAKE	B9-10
BRAKE 2	B11
BRAKE 3	B12
BUMPER	C10
CAMSHAFT VALVE	A7
CARBURETOR	A10
CARRIER JU9-300101~	D5-6
CARRIER ~JU9-300100	D3-4
CRANKCASE	A12
CRANKSHAFT PISTON	A6
CYLINDER HEAD	A5
ELECTRICAL 1 JU9-300101~	E2
ELECTRICAL 1 ~JU9-300100	D11
ELECTRICAL 2	D12 ,E1
ENGINE ASSEMBLY	A4
ENGINE BRACKET	B1
EXHAUST	A11
FRAME	B3
FRONT SUSPENSION WHEEL	B4-5
FUEL TANK	B8
GOVERNOR	C2
HEADLIGHT	D10
INTAKE	A9
PRIMARY SHEAVE	C3
REAR ARM SUSPENSION	B2
REAR AXLE MOUNT WHEEL	C8
SEAT	D7
SECONDARY SHEAVE	C4
SHIFTER CABLES	C9
STARTING MOTOR	D8-9
STEERING	B6-7
TRANSMISSION 1	C5-7
~MODELS IN THIS CATALOG	E3



JU91110-C140

FUEL TANK



Ref. No.	Part Number	Description	Qty	Remarks
1	JU5-F4110-00-00	FUEL TANK COMP.	1	~JU9-300300
	JU5-F4110-01-00	FUEL TANK COMP.	1	JU9-300301~
2	JU5-F4300-00-00	. FUEL PIPE JOINT	1	~JU9-300300
	JU5-F4300-00-10	. FUEL PIPE JOINT	1	JU9-300301~
3	JU5-F4375-00-00	. GROMMET	1	
4	J10-21773-00-00	GROMMET	1	
5	J24-24460-01-00	RELEASE VALVE ASSEMBLY .	1	
6	J24-24620-01-00	BODY CAP ASSEMBLY	1	
7	J10-24612-00-00	GASKET, CAP	1	
8	97007-08025-00	BOLT	3	
9	92907-08100-00	WASHER, SPRING	3	
10	90201-088S2-00	WASHER, PLATE	4	
11	9560P-08200-00	NUT, SELF-LOCKING	2	
12	JN6-F4410-10-00	FUEL PUMP ASSY	1	
13	JN6-F3394-00-00	BOLT, SPECIAL	2	
14	JU5-F4312-00-00	PIPE 2	1	~JU9-300300
	JU5-F4312-10-00	PIPE 2	1	JU9-300301~
15	JN6-F4560-00-00	FILTER ASSY	1	
16	JN6-F4311-20-00	PIPE, FUEL 1	1	~JU9-300300
	JN6-F4311-30-00	PIPE, FUEL 1	1	JU9-300301~
17	JU9-F4313-00-00	PIPE 3	1	~JU9-300300
	JU9-F4313-10-00	PIPE 3	1	JU9-300301~
18	JU7-F4314-00-00	PIPE 4	1	~JU9-300300
	JU7-F4314-01-00	PIPE 4	1	JU9-300301~
19	90467-12845-00	CLIP	2	
20	90467-10846-00	CLIP	6	
21	90464-11816-00	CLAMP	2	

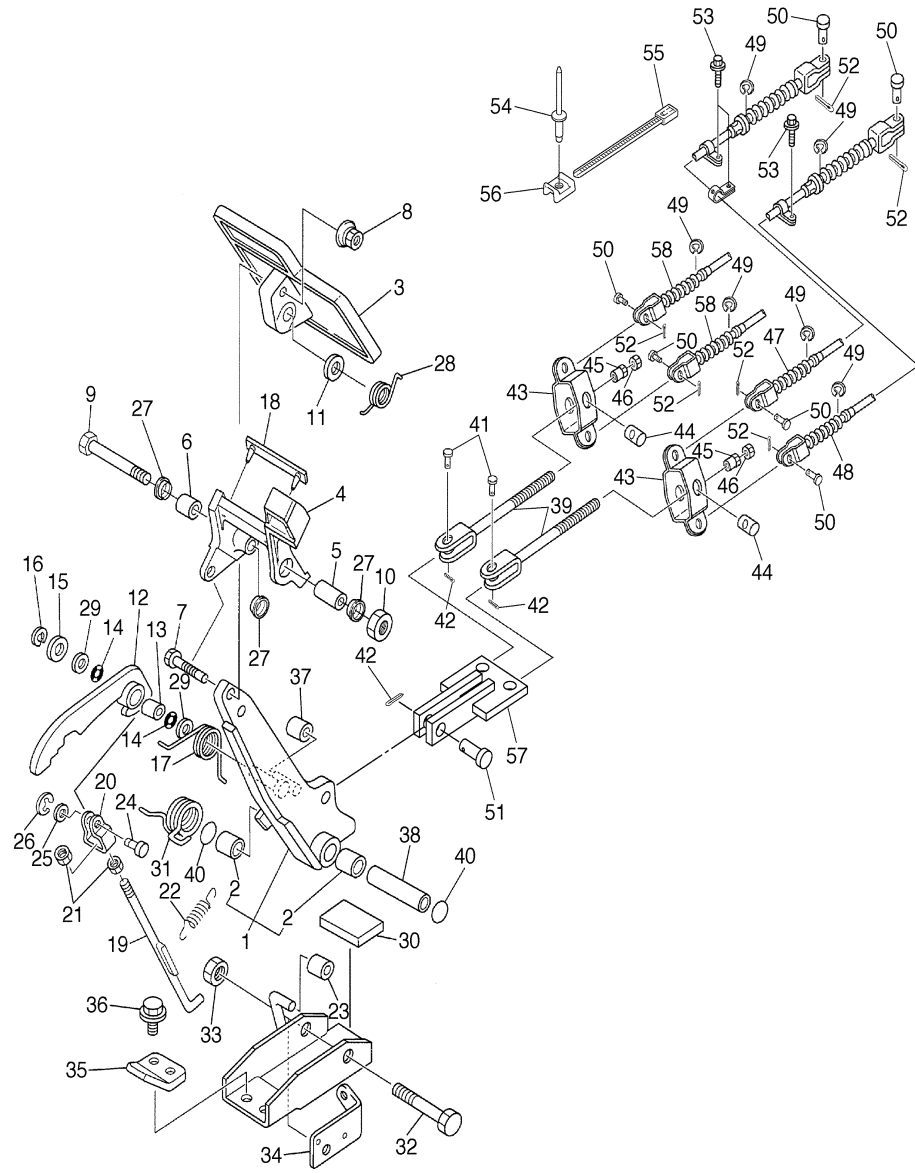
CONTENTS

ACCELERATOR	C1
AIR SHROUD FAN	A8
BODY	C11-12
BODY 2	D1
BODY FITTING	D2
BRAKE	B9-10
BRAKE 2	B11
BRAKE 3	B12
BUMPER	C10
CAMSHAFT VALVE	A7
CARBURETOR	A10
CARRIER JU9-300101~	D5-6
CARRIER ~JU9-300100	D3-4
CRANKCASE	A12
CRANKSHAFT PISTON	A6
CYLINDER HEAD	A5
ELECTRICAL 1 JU9-300101~	E2
ELECTRICAL 1 ~JU9-300100	D11
ELECTRICAL 2	D12, E1
ENGINE ASSEMBLY	A4
ENGINE BRACKET	B1
EXHAUST	A11
FRAME	B3
FRONT SUSPENSION WHEEL	B4-5
FUEL TANK	B8
GOVERNOR	C2
HEADLIGHT	D10
INTAKE	A9
PRIMARY SHEAVE	C3
REAR ARM SUSPENSION	B2
REAR AXLE MOUNT WHEEL	C8
SEAT	D7
SECONDARY SHEAVE	C4
SHIFTER CABLES	C9
STARTING MOTOR	D8-9
STEERING	B6-7
TRANSMISSION 1	C5-7
~MODELS IN THIS CATALOG	E3



JW51110-C150

BRAKE



Ref. No.	Part Number	Description	Qty	Remarks
1	J46-27250-03-00	BRAKE ARM COMP.	1	
2	90384-14080-00	. BUSH, BIMETAL	2	
3	JU0-27211-01-00	PEDAL, BRAKE	1	
4	JU0-25671-00-00	PEDAL, PARKING BRAKE	1	
5	90387-08014-00	COLLAR	1	
6	90387-08013-00	COLLAR	1	
7	97027-06035-00	BOLT	1	
8	90179-07564-00	NUT	1	
9	97027-08100-00	BOLT, HEX	1	
10	95307-08600-00	NUT	1	
11	92907-08200-00	WASHER, PLAIN	1	
12	J17-25666-02-00	SECTOR, PARKING BRAKE ..	1	
13	90384-10162-00	BUSH, BIMETAL	1	
14	J17-27221-00-00	SEAL, SHAFT	2	
15	92907-10600-00	WASHER, PLAIN	1	
16	99001-07600-00	CIRCLIP	1	
17	90508-14548-00	SPRING, TORSION	1	
18	J17-25672-01-00	PAD, PARKING	1	
19	J17-27231-03-00	ROD, BRAKE	1	
20	J17-27232-00-00	END, ROD	1	
21	95307-06700-00	NUT	2	
22	90506-09001-00	SPRING, TENSION	1	
23	J17-25673-00-00	DAMPER, BRAKE	1	
24	J17-27228-00-00	PIN, LINK JOINT	1	
25	92907-05600-00	WASHER, PLATE	1	
26	99001-04600-00	CIRCLIP	1	
27	90387-12009-00	COLLAR	3	
28	90508-32015-00	SPRING, TORSION	1	
29	90201-104G8-00	WASHER, PLAIN	2	
30	JN3-F7245-00-00	PAD, BRAKE PEDAL	1	

CONTENTS

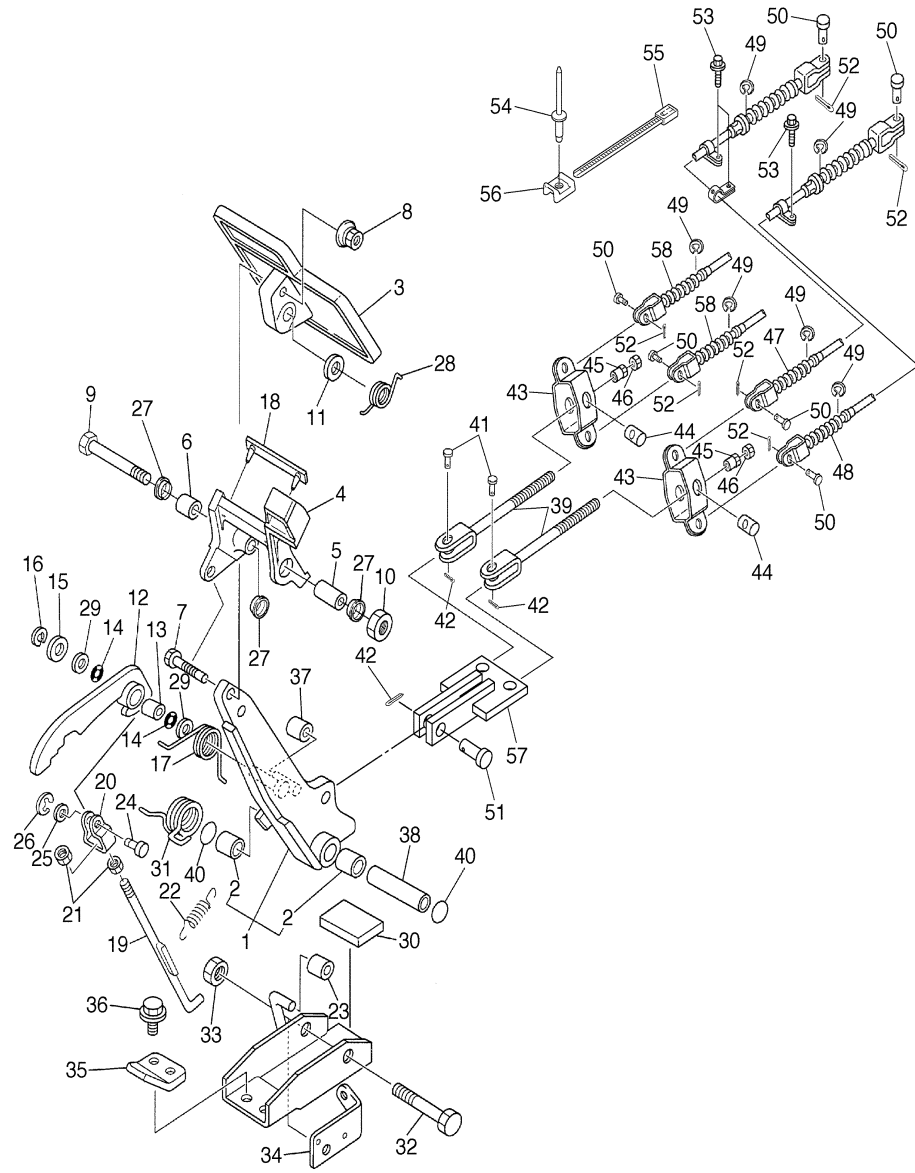
ACCELERATOR	C1
AIR SHROUD FAN	A8
BODY	C11-12
BODY 2	D1
BODY FITTING	D2
BRAKE	B9-10
BRAKE 2	B11
BRAKE 3	B12
BUMPER	C10
CAMSHAFT VALVE	A7
CARBURETOR	A10
CARRIER JU9-300101~	D5-6
CARRIER ~JU9-300100	D3-4
CRANKCASE	A12
CRANKSHAFT PISTON	A6
CYLINDER HEAD	A5
ELECTRICAL 1 JU9-300101~	E2
ELECTRICAL 1 ~JU9-300100	D11
ELECTRICAL 2	D12 ,E1
ENGINE ASSEMBLY	A4
ENGINE BRACKET	B1
EXHAUST	A11
FRAME	B3
FRONT SUSPENSION WHEEL	B4-5
FUEL TANK	B8
GOVERNOR	C2
HEADLIGHT	D10
INTAKE	A9
PRIMARY SHEAVE	C3
REAR ARM SUSPENSION	B2
REAR AXLE MOUNT WHEEL	C8
SEAT	D7
SECONDARY SHEAVE	C4
SHIFTER CABLES	C9
STARTING MOTOR	D8-9
STEERING	B6-7
TRANSMISSION 1	C5-7
~MODELS IN THIS CATALOG	E3

CONTINUED ON NEXT FRAME ►



JW51110-C160

BRAKE



Ref. No.	Part Number	Description	Qty	Remarks
31	90508-40007-00	SPRING, TORSION	1	
32	90101-10884-00	BOLT, HEX.	1	
33	95607-10200-00	NUT, R.H. THREAD	1	
34	J55-2252M-00-00	BRACKET	1	
35	J17-27246-00-00	NAIL, BRAKE	1	
36	90105-08878-00	BOLT, FLANGE	2	
37	J17-25673-00-00	DAMPER, BRAKE	1	
38	90387-107F8-00	COLLAR	1	
39	JN6-F5685-00-00	ROD	2	
40	93210-132A8-00	O-RING	2	
41	91701-10022-00	PIN	2	
42	91490-30015-00	PIN, COTTER	3	
43	J10-25681-00-00	EQUALIZER, BRAKE	2	
44	90249-14129-00	PIN	2	
45	90179-08894-00	NUT	2	
46	95307-08700-00	NUT, HEX.	2	
47	JU9-F6341-00-00	CABLE, BRAKE	1	
48	JU9-F6351-00-00	CABLE, BRAKE	1	
49	99001-09600-00	CIRCLIP	8	
50	91701-08018-00	PIN	8	
51	91701-10028-00	PIN, CLEVIS	1	
52	91490-25015-00	PIN, COTTER	8	
53	90105-06876-00	BOLT, FLANGE	3	
54	90267-489U1-00	RIVET, BLIND	1	
55	90464-40825-00	CLAMP	1	
56	90207-05800-00	WASHER, FINISH	1	
57	JR6-F7215-00-00	LINK	1	
58	JU9-F6361-00-00	CABLE, BRAKE	2	

CONTENTS

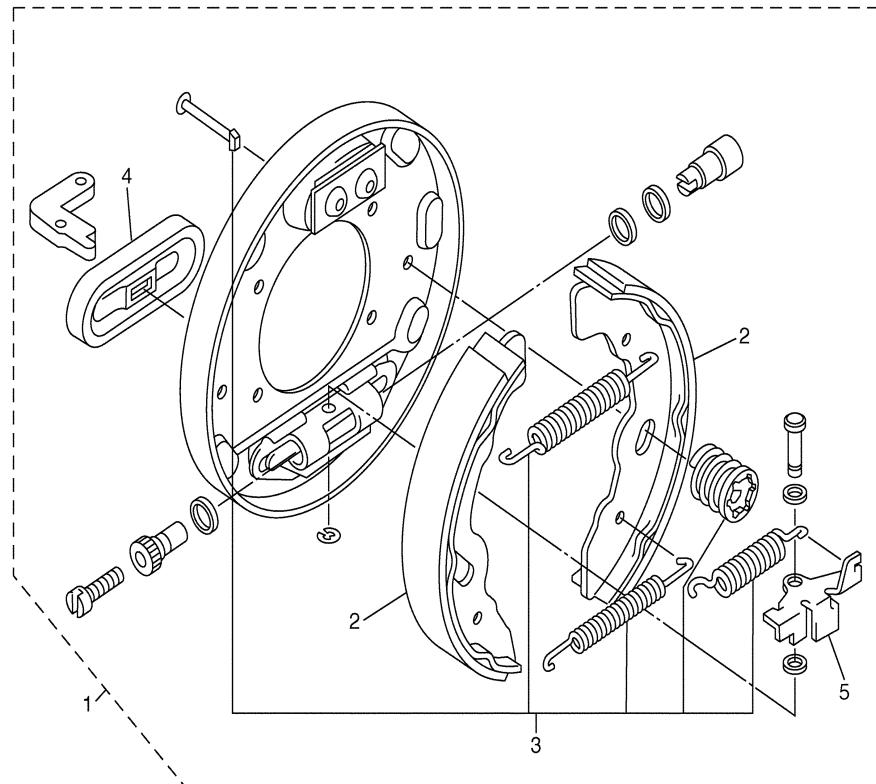
ACCELERATOR	C1
AIR SHROUD FAN	A8
BODY	C11-12
BODY 2	D1
BODY FITTING	D2
BRAKE	B9-10
BRAKE 2	B11
BRAKE 3	B12
BUMPER	C10
CAMSHAFT VALVE	A7
CARBURETOR	A10
CARRIER JU9-300101~	D5-6
CARRIER ~JU9-300100	D3-4
CRANKCASE	A12
CRANKSHAFT PISTON	A6
CYLINDER HEAD	A5
ELECTRICAL 1 JU9-300101~	E2
ELECTRICAL 1 ~JU9-300100	D11
ELECTRICAL 2	D12, E1
ENGINE ASSEMBLY	A4
ENGINE BRACKET	B1
EXHAUST	A11
FRAME	B3
FRONT SUSPENSION WHEEL	B4-5
FUEL TANK	B8
GOVERNOR	C2
HEADLIGHT	D10
INTAKE	A9
PRIMARY SHEAVE	C3
REAR ARM SUSPENSION	B2
REAR AXLE MOUNT WHEEL	C8
SEAT	D7
SECONDARY SHEAVE	C4
SHIFTER CABLES	C9
STARTING MOTOR	D8-9
STEERING	B6-7
TRANSMISSION 1	C5-7
~MODELS IN THIS CATALOG	E3



JW51110-C160

BRAKE 2

Ref. No.	Part Number	Description	Qty	Remarks
1	JN6-F7290-03-00	BACKING PLATE ASSY L.H. . . .	2	L/S FRONT & REAR
2	JN6-F5331-01-00	. SHOE, BRAKE SET	2	(FOR ONE WHEEL)
3	JN6-F819G-00-00	. REPAIR PARTS KIT	1	
4	JN6-F7286-00-00	. COVER, DUST	1	
5	JN6-F722E-00-00	. LEVER ADJUSTER (LH)	1	



CONTENTS

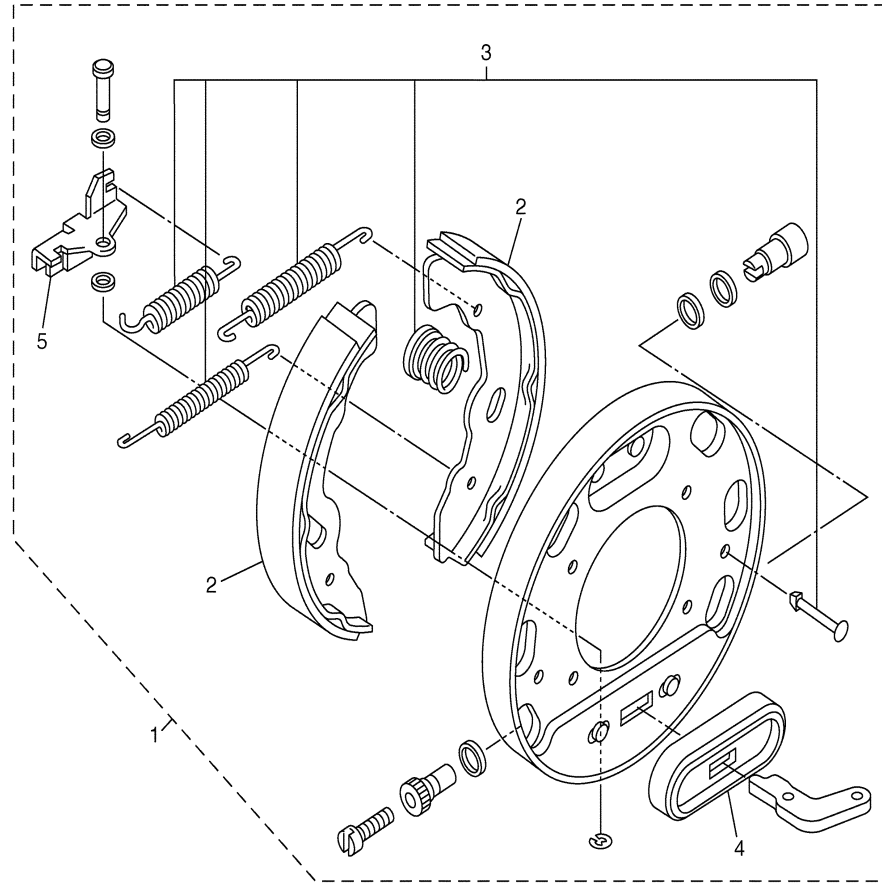
ACCELERATOR	C1
AIR SHROUD FAN	A8
BODY	C11-12
BODY 2	D1
BODY FITTING	D2
BRAKE	B9-10
BRAKE 2	B11
BRAKE 3	B12
BUMPER	C10
CAMSHAFT VALVE	A7
CARBURETOR	A10
CARRIER JU9-300101~	D5-6
CARRIER ~JU9-300100	D3-4
CRANKCASE	A12
CRANKSHAFT PISTON	A6
CYLINDER HEAD	A5
ELECTRICAL 1 JU9-300101~	E2
ELECTRICAL 1 ~JU9-300100	D11
ELECTRICAL 2	D12 ,E1
ENGINE ASSEMBLY	A4
ENGINE BRACKET	B1
EXHAUST	A11
FRAME	B3
FRONT SUSPENSION WHEEL	B4-5
FUEL TANK	B8
GOVERNOR	C2
HEADLIGHT	D10
INTAKE	A9
PRIMARY SHEAVE	C3
REAR ARM SUSPENSION	B2
REAR AXLE MOUNT WHEEL	C8
SEAT	D7
SECONDARY SHEAVE	C4
SHIFTER CABLES	C9
STARTING MOTOR	D8-9
STEERING	B6-7
TRANSMISSION 1	C5-7
~MODELS IN THIS CATALOG	E3



JT71010-B160

BRAKE 3

Ref. No.	Part Number	Description	Qty	Remarks
1	JN6-F7280-03-00	BACKING PLATE ASSY R.H. . . .	2	R/S FRONT & REAR
2	JN6-F5341-01-00	. SHOE, BRAKE SET	2	(FOR ONE WHEEL)
3	JN6-F819G-00-00	. REPAIR PARTS KIT	1	
4	JN6-F7286-00-00	. COVER, DUST	1	
5	JN6-F722F-00-00	. LEVER ADJUSTER (RH)	1	



CONTENTS

ACCELERATOR	C1
AIR SHROUD FAN	A8
BODY	C11-12
BODY 2	D1
BODY FITTING	D2
BRAKE	B9-10
BRAKE 2	B11
BRAKE 3	B12
BUMPER	C10
CAMSHAFT VALVE	A7
CARBURETOR	A10
CARRIER JU9-300101~	D5-6
CARRIER ~JU9-300100	D3-4
CRANKCASE	A12
CRANKSHAFT PISTON	A6
CYLINDER HEAD	A5
ELECTRICAL 1 JU9-300101~	E2
ELECTRICAL 1 ~JU9-300100	D11
ELECTRICAL 2	D12 ,E1
ENGINE ASSEMBLY	A4
ENGINE BRACKET	B1
EXHAUST	A11
FRAME	B3
FRONT SUSPENSION WHEEL	B4-5
FUEL TANK	B8
GOVERNOR	C2
HEADLIGHT	D10
INTAKE	A9
PRIMARY SHEAVE	C3
REAR ARM SUSPENSION	B2
REAR AXLE MOUNT WHEEL	C8
SEAT	D7
SECONDARY SHEAVE	C4
SHIFTER CABLES	C9
STARTING MOTOR	D8-9
STEERING	B6-7
TRANSMISSION 1	C5-7
~MODELS IN THIS CATALOG	E3



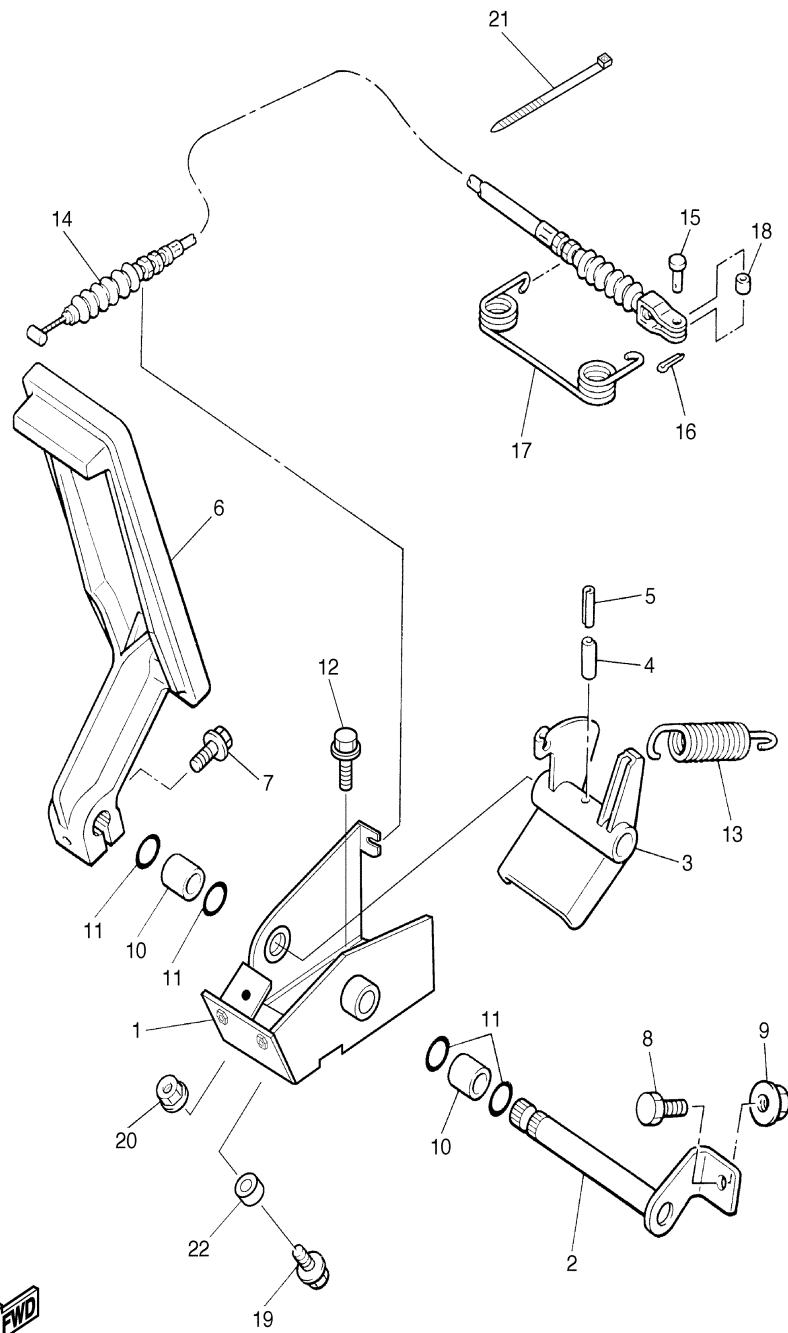
JT71010-B170

ACCELERATOR

Ref. No.	Part Number	Description	Qty	Remarks
1	JN6-F7874-01-00	BRACKET, PEDAL	1	
2	J17-27853-01-00	SHAFT, PEDAL 1	1	
3	J38-27872-00-00	ARM, ACCELERATOR	1	
4	91609-60028-00	PIN, SPRING	1	
5	91609-35028-00	PIN, SPRING	1	
6	J10-27871-01-00	PEDAL, ACCELERATOR	1	
7	95807-06025-00	BOLT, FLANGE	1	
8	90106-08806-00	BOLT, RD. HEX	1	
9	95707-08500-00	NUT, FLANGE	1	
10	90384-14080-00	BUSH, BIMETAL	2	
11	93210-14104-00	O-RING	4	
12	90105-08878-00	BOLT, FLANGE	3	
13	90506-26282-00	SPRING, TENSION	1	
14	JJ3-F6311-00-00	CABLE, THROTTLE 1	1	
15	91701-05012-00	PIN, CLEVIS	1	
16	90468-10049-00	CLIP	1	
17	90508-16460-00	SPRING, TORSION	1	
18	90560-05001-00	SPACER	1	
19	95807-06025-00	BOLT, FLANGE	1	
20	95707-06500-00	NUT, FLANGE	1	
21	90464-40825-00	CLAMP	2	
22	90387-068T4-00	COLLAR	1	

CONTENTS

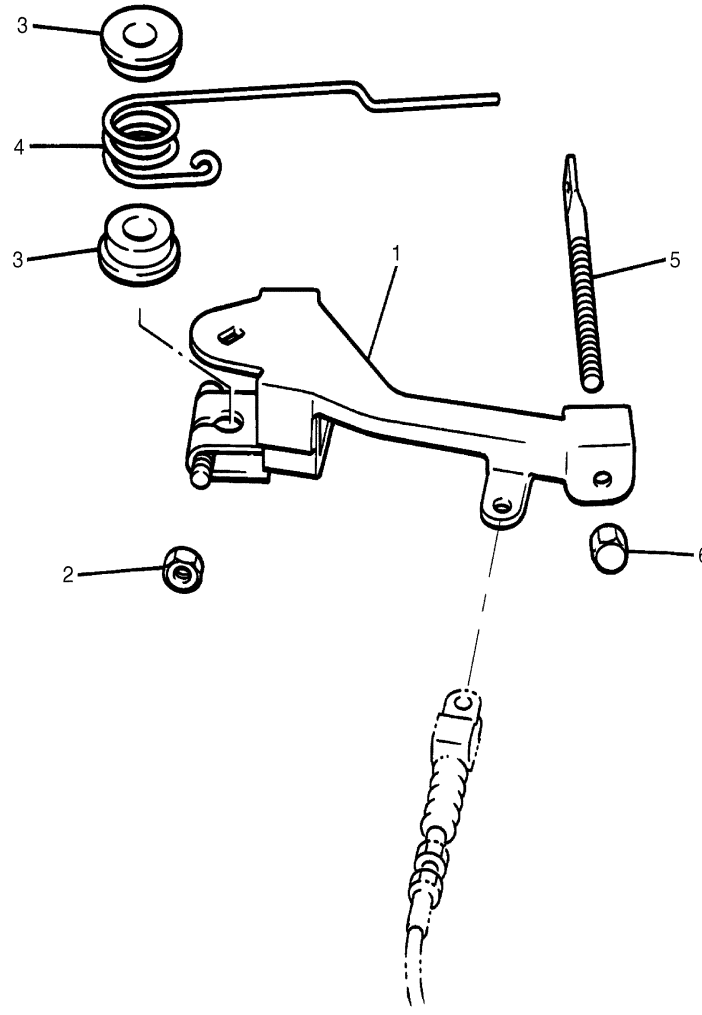
ACCELERATOR	C1
AIR SHROUD FAN	A8
BODY	C11-12
BODY 2	D1
BODY FITTING	D2
BRAKE	B9-10
BRAKE 2	B11
BRAKE 3	B12
BUMPER	C10
CAMSHAFT VALVE	A7
CARBURETOR	A10
CARRIER JU9-300101~	D5-6
CARRIER ~JU9-300100	D3-4
CRANKCASE	A12
CRANKSHAFT PISTON	A6
CYLINDER HEAD	A5
ELECTRICAL 1 JU9-300101~	E2
ELECTRICAL 1 ~JU9-300100	D11
ELECTRICAL 2	D12 ,E1
ENGINE ASSEMBLY	A4
ENGINE BRACKET	B1
EXHAUST	A11
FRAME	B3
FRONT SUSPENSION WHEEL	B4-5
FUEL TANK	B8
GOVERNOR	C2
HEADLIGHT	D10
INTAKE	A9
PRIMARY SHEAVE	C3
REAR ARM SUSPENSION	B2
REAR AXLE MOUNT WHEEL	C8
SEAT	D7
SECONDARY SHEAVE	C4
SHIFTER CABLES	C9
STARTING MOTOR	D8-9
STEERING	B6-7
TRANSMISSION 1	C5-7
-MODELS IN THIS CATALOG	E3



JT71010-B180

GOVERNOR

Ref. No.	Part Number	Description	Qty	Remarks
1	J38-27951-00-00	LEVER, SPEED	1	
2	95307-06600-00	NUT	1	
3	90386-08141-00	BUSH	2	
4	90508-40678-00	SPRING, TORSION	1	
5	J38-27959-00-00	SCREW, ADJUSTING	1	
6	9560P-06200-00	NUT, U-FLANGE	1	



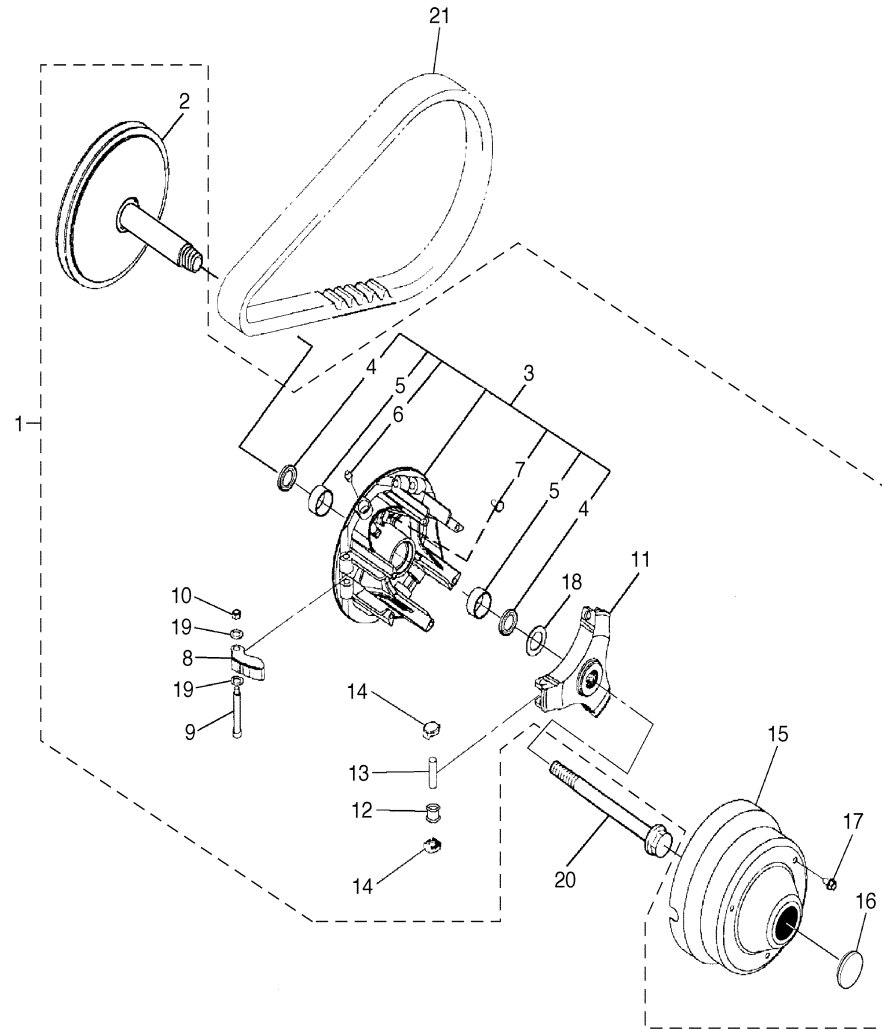
CONTENTS

ACCELERATOR	C1
AIR SHROUD FAN	A8
BODY	C11-12
BODY 2	D1
BODY FITTING	D2
BRAKE	B9-10
BRAKE 2	B11
BRAKE 3	B12
BUMPER	C10
CAMSHAFT VALVE	A7
CARBURETOR	A10
CARRIER JU9-300101~	D5-6
CARRIER ~JU9-300100	D3-4
CRANKCASE	A12
CRANKSHAFT PISTON	A6
CYLINDER HEAD	A5
ELECTRICAL 1 JU9-300101~	E2
ELECTRICAL 1 ~JU9-300100	D11
ELECTRICAL 2	D12 ,E1
ENGINE ASSEMBLY	A4
ENGINE BRACKET	B1
EXHAUST	A11
FRAME	B3
FRONT SUSPENSION WHEEL	B4-5
FUEL TANK	B8
GOVERNOR	C2
HEADLIGHT	D10
INTAKE	A9
PRIMARY SHEAVE	C3
REAR ARM SUSPENSION	B2
REAR AXLE MOUNT WHEEL	C8
SEAT	D7
SECONDARY SHEAVE	C4
SHIFTER CABLES	C9
STARTING MOTOR	D8-9
STEERING	B6-7
TRANSMISSION 1	C5-7
~MODELS IN THIS CATALOG	E3



JT71010-B190

PRIMARY SHEAVE



Ref. No.	Part Number	Description	Qty	Remarks
1	JN6-G6201-04-00	PRIMARY FIXED SHEAVE ASSY	1	
2	JN6-G6210-00-00	. PRIMARY FIXED SHEAVE ...	1	
3	JN6-G6220-00-00	. PRIMARY SLIDING SHEAVE .	1	
4	93101-28831-00	.. OIL, SEAL	2	
5	90384-27823-00	.. BUSH, BIMETAL FORMED ..	2	
6	93700-06810-00	.. NIPPLE, GREASE	1	
7	90338-04840-00	.. PLUG	3	
8	JN6-G6232-01-00	. WEIGHT 1	3	
9	90109-06860-00	. BOLT	3	
10	90185-06834-00	. NUT, SELF-LOCKING	3	
11	JN6-G6251-01-00	. SPIDER	1	
12	JN6-G6258-02-00	. ROLLER	3	
13	93610-358A3-00	. PIN, DOWEL	3	
14	JN6-G6253-00-00	. SLIDER	6	
15	JU0-G6231-00-00	. CAP	1	
16	JU0-G6297-00-00	. COVER, DUST	1	
17	90105-06861-00	. BOLT, FLANGE	3	
18	90201-228K5-00	. WASHER, PLATE	1	
19	JN6-G621F-00-00	. SHIM, THRUST	6	
20	JN6-G6249-00-00	BOLT	1	
21	J55-G6241-00-00	BELT	1	

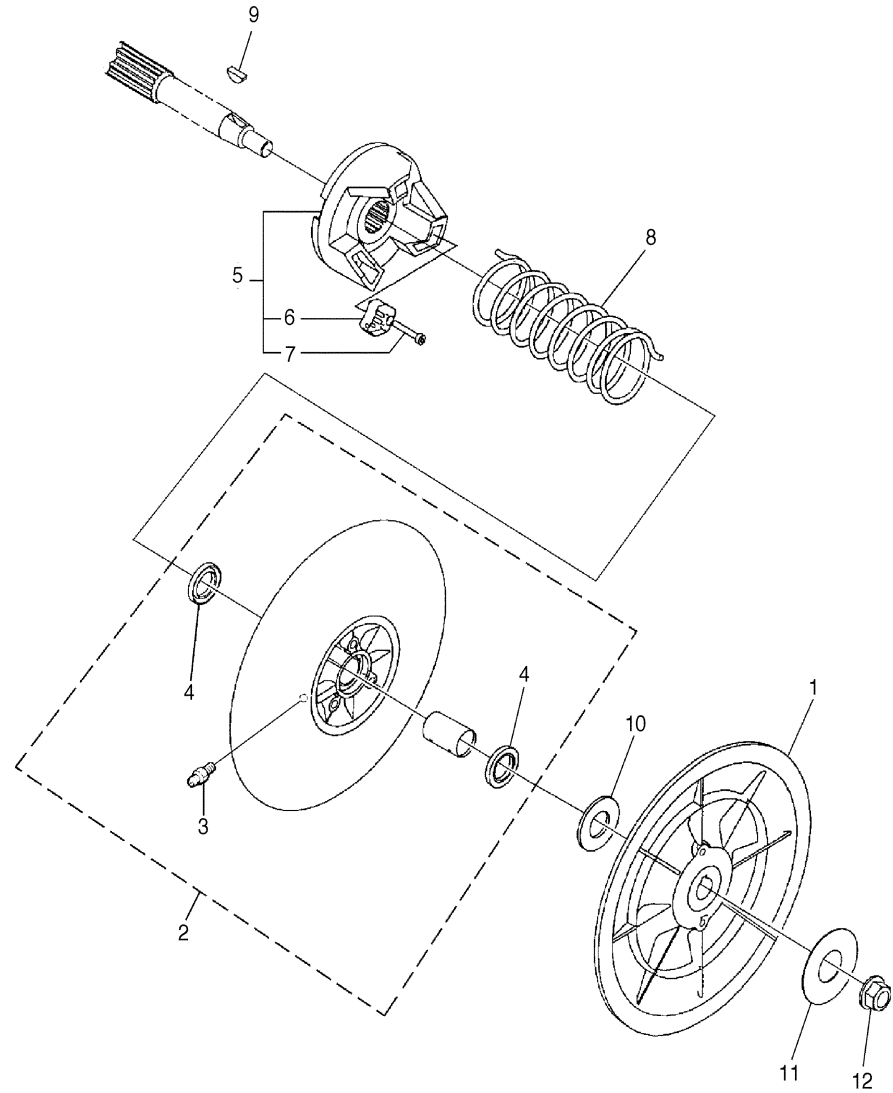
CONTENTS

ACCELERATOR	C1
AIR SHROUD FAN	A8
BODY	C11-12
BODY 2	D1
BODY FITTING	D2
BRAKE	B9-10
BRAKE 2	B11
BRAKE 3	B12
BUMPER	C10
CAMSHAFT VALVE	A7
CARBURETOR	A10
CARRIER JU9-300101~	D5-6
CARRIER ~JU9-300100	D3-4
CRANKCASE	A12
CRANKSHAFT PISTON	A6
CYLINDER HEAD	A5
ELECTRICAL 1 JU9-300101~	E2
ELECTRICAL 1 ~JU9-300100	D11
ELECTRICAL 2	D12 ,E1
ENGINE ASSEMBLY	A4
ENGINE BRACKET	B1
EXHAUST	A11
FRAME	B3
FRONT SUSPENSION WHEEL	B4-5
FUEL TANK	B8
GOVERNOR	C2
HEADLIGHT	D10
INTAKE	A9
PRIMARY SHEAVE	C3
REAR ARM SUSPENSION	B2
REAR AXLE MOUNT WHEEL	C8
SEAT	D7
SECONDARY SHEAVE	C4
SHIFTER CABLES	C9
STARTING MOTOR	D8-9
STEERING	B6-7
TRANSMISSION 1	C5-7
~MODELS IN THIS CATALOG	E3



JT71010-B200

SECONDARY SHEAVE



Ref. No.	Part Number	Description	Qty	Remarks
1	JN6-G6260-00-00	SEC FIXED SHEAVE	1	
2	JN6-G6270-01-KT	SECONDARY SLIDING SHEAVE KIT	1	INCLUDES BUSHING
3	93700-06809-00	. NIPPLE, GREASE	1	
4	93109-20069-00 90384-20824-00	. SEAL, OIL	2	
5	JN6-G6280-00-00	. BUSH, BIMETAL FORMED ...	1	
6	JN6-E7688-00-00	SECONDARY SPRING SEAT COMP.	1	
7	90110-04834-00	. SHOE, RAMP	3	
8	90508-45849-00	. BOLT, HEXAGON SOCKET ..	3	
9	90280-05022-00	SPRING, TORSION (L=135MM +/- 1.5)	1	
10	90202-20130-00	KEY, WOODRUFF	1	
11	90201-128S5-00	WASHER, PLAIN	1	
12	95607-12200-00	WASHER, PLATE	1	
		NUT, U-FLANGE	1	

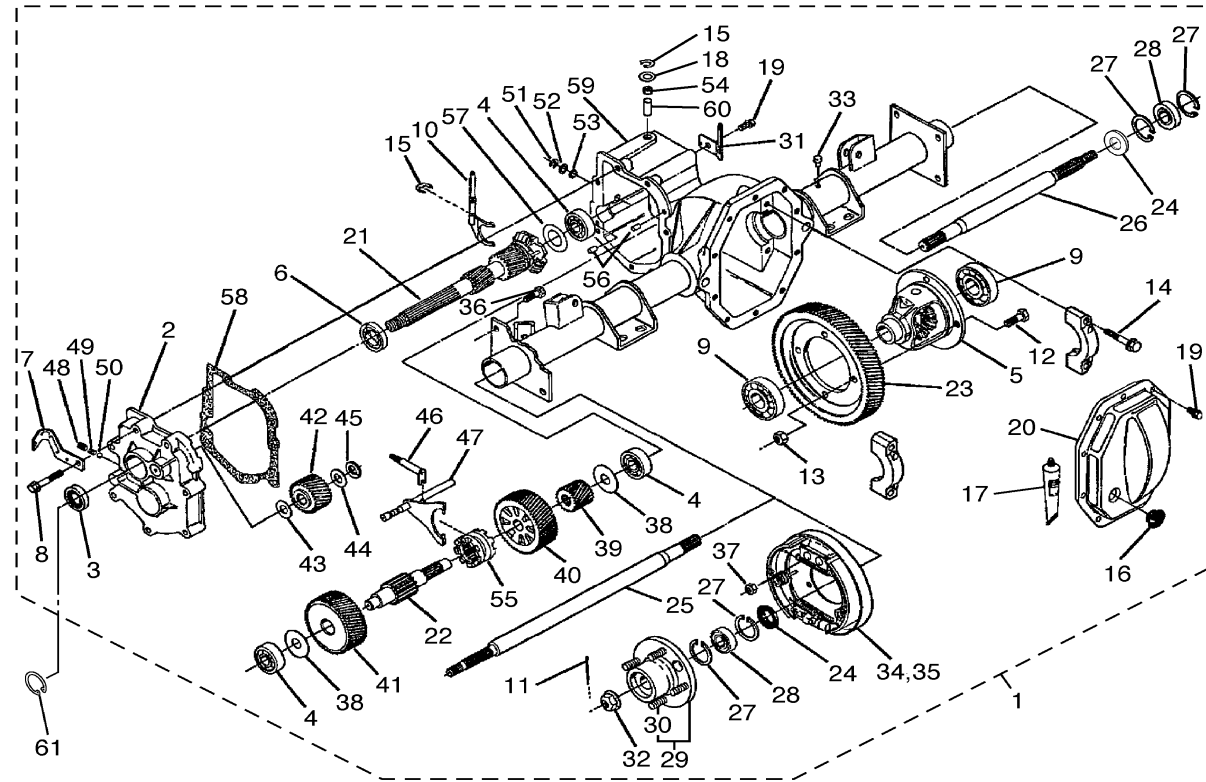
CONTENTS

ACCELERATOR	C1
AIR SHROUD FAN	A8
BODY	C11-12
BODY 2	D1
BODY FITTING	D2
BRAKE	B9-10
BRAKE 2	B11
BRAKE 3	B12
BUMPER	C10
CAMSHAFT VALVE	A7
CARBURETOR	A10
CARRIER JU9-300101~	D5-6
CARRIER ~JU9-300100	D3-4
CRANKCASE	A12
CRANKSHAFT PISTON	A6
CYLINDER HEAD	A5
ELECTRICAL 1 JU9-300101~	E2
ELECTRICAL 1 ~JU9-300100	D11
ELECTRICAL 2	D12 ,E1
ENGINE ASSEMBLY	A4
ENGINE BRACKET	B1
EXHAUST	A11
FRAME	B3
FRONT SUSPENSION WHEEL	B4-5
FUEL TANK	B8
GOVERNOR	C2
HEADLIGHT	D10
INTAKE	A9
PRIMARY SHEAVE	C3
REAR ARM SUSPENSION	B2
REAR AXLE MOUNT WHEEL	C8
SEAT	D7
SECONDARY SHEAVE	C4
SHIFTER CABLES	C9
STARTING MOTOR	D8-9
STEERING	B6-7
TRANSMISSION 1	C5-7
~MODELS IN THIS CATALOG	E3



JT71010-B210

TRANSMISSION 1



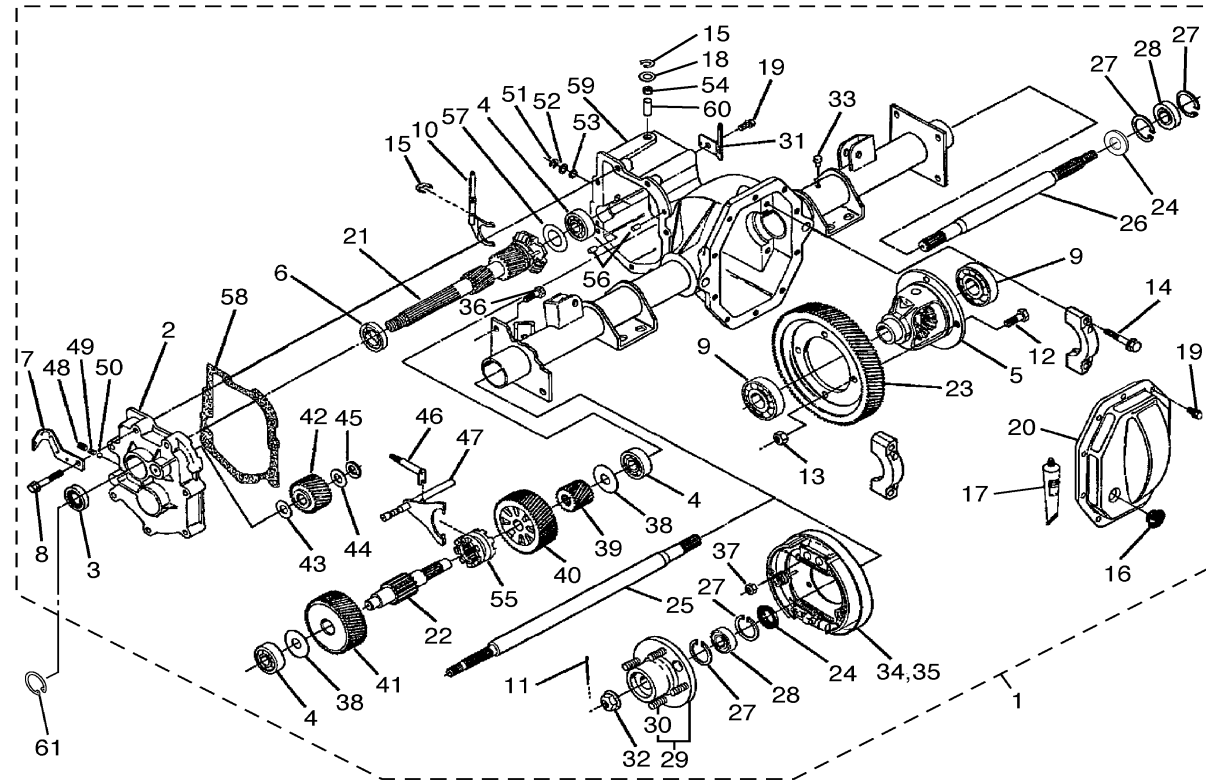
Ref. No.	Part Number	Description	Qty	Remarks
1	JU9-G6300-00-00	TRANS AXLE ASSY	1	
2	JN3-G6313-00-00	. COVER, TRANSMISSION	1	
3	93102-25868-00	. SEAL, OIL	1	
4	93306-303Y6-00	. BEARING	3	
5	JN6-G6410-00-00	. DIFFERENTIAL ASSY.	1	
6	93306-005Y4-00	. BEARING	1	
7	JN6-G6555-00-00	. BRACKET 2	1	
8	90105-08859-00	. BOLT, FLANGE	7	
9	93306-007Y0-00	. BEARING	2	
10	JN3-G633E-01-00	. BAR 1	1	
11	90252-36801-00	. PIN, COTTER	2	
12	90101-10854-00	. BOLT, HEX.	4	
13	90170-10840-00	. NUT, HEX.	4	
14	90105-10840-00	. BOLT, FLANGE	4	
15	JU0-F722H-00-00	. RETAINER	2	
16	JN3-G6432-00-00	. STOPPER	1	
17	ACC-11001-05-01	QUICK GASKET	1	NOT INCLUDED WITH TRANSAXLE
18	JU0-F723F-00-00	. WASHER, SPECIAL 1	1	
19	90101-08856-00	. BOLT, HEX	11	
20	JN3-G6314-00-00	. COVER, TRANSMISSION	1	
21	JR6-G6320-01-00	. SHAFT, INPUT ASSY	1	
22	JN3-G633G-00-00	. SHAFT	1	
23	JN3-G6355-00-00	. GEAR, PRIMARY	1	
24	93101-31836-00	. SEAL, OIL	2	
25	JU9-G6511-00-00	. SHAFT, REAR AXLE 1 (L.H)	1	
26	JU9-G6512-00-00	. SHAFT, REAR AXLE 2 (R.H)	1	
27	93420-52806-00	. CIRCLIP	4	
28	93306-205X2-00	. BEARING	2	
29	JR3-G6514-00-00	. HUB, REAR AXLE	2	

CONTENTS

ACCELERATOR	C1
AIR SHROUD FAN	A8
BODY	C11-12
BODY 2	D1
BODY FITTING	D2
BRAKE	B9-10
BRAKE 2	B11
BRAKE 3	B12
BUMPER	C10
CAMSHAFT VALVE	A7
CARBURETOR	A10
CARRIER JU9-300101~	D5-6
CARRIER ~JU9-300100	D3-4
CRANKCASE	A12
CRANKSHAFT PISTON	A6
CYLINDER HEAD	A5
ELECTRICAL 1 JU9-300101~	E2
ELECTRICAL 1 ~JU9-300100	D11
ELECTRICAL 2	D12, E1
ENGINE ASSEMBLY	A4
ENGINE BRACKET	B1
EXHAUST	A11
FRAME	B3
FRONT SUSPENSION WHEEL	B4-5
FUEL TANK	B8
GOVERNOR	C2
HEADLIGHT	D10
INTAKE	A9
PRIMARY SHEAVE	C3
REAR ARM SUSPENSION	B2
REAR AXLE MOUNT WHEEL	C8
SEAT	D7
SECONDARY SHEAVE	C4
SHIFTER CABLES	C9
STARTING MOTOR	D8-9
STEERING	B6-7
TRANSMISSION 1	C5-7
~MODELS IN THIS CATALOG	E3

CONTINUED ON NEXT FRAME ►

TRANSMISSION 1



Ref. No.	Part Number	Description	Qty	Remarks
30	90114-12804-00	. . BOLT, KNURLED	4	
31	JN3-G6556-00-00	. BRACKET 3	1	
32	90185-19842-00	. NUT, SELF-LOCKING	2	
33	JH7-G5619-00-00	. CAP	1	
34	JN6-F7290-03-00	. BACKING PLATE ASSY L.H.	1	SEE BRAKE 2 (L.H)
35	JN6-F7280-03-00	. BACKING PLATE ASSY R.H.	1	SEE BRAKE 3 (R.H)
36	90101-08855-00	. BOLT, HEX.	8	
37	90170-08841-00	. NUT, HEX.	8	
38	90201-178H8-00	. WASHER, PLATE	2	
39	JN3-G6316-00-00	. GEAR, PINION 1	1	
40	JR6-G6326-00-00	. GEAR, WHEEL 1	1	
41	JN3-G6327-00-00	. GEAR, WHEEL 2	1	
42	JN3-G6356-00-00	. GEAR, IDLER	1	
43	90201-208H9-00	. WASHER, PLAIN	1	
44	90201-208J0-00	. WASHER, PLAIN	1	
45	93440-20813-00	. CIRCLIP	1	
46	JN3-G638A-00-00	. BAR, SHIFT 1	1	
47	JN6-G638E-00-00	. BAR, SHIFT 2	1	
48	90113-08803-00	. BOLT, SET	1	
49	90501-10852-00	. SPRING, COMPRESSION	1	
50	93500-06826-00	. BALL	1	
51	93410-12822-00	. CIRCLIP	1	
52	90202-12807-00	. WASHER, PLAIN	1	
53	93104-11829-00	. SEAL, OIL	1	
54	93109-10820-00	. SEAL, OIL	1	
55	JN3-G6153-00-00	. COLLAR, GUIDE	1	
56	93606-10842-00	. PIN, DOWEL	2	
57	JN3-G6344-00-00	. SHIM, 0.76MM (0.030IN)	1	UR
	JN3-G6344-10-00	. SHIM, 0.90MM (0.035IN)	1	UR
	JN3-G6344-20-00	. SHIM, 1.00MM (0.040IN)	1	UR

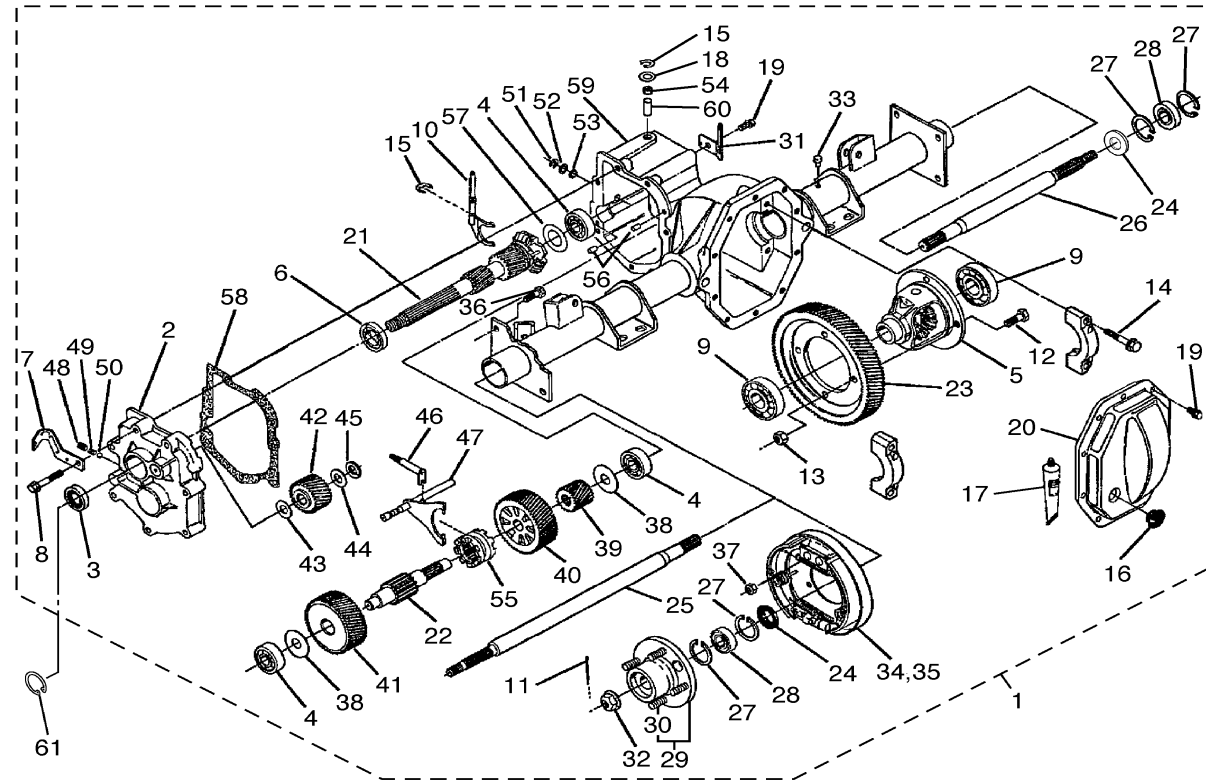
CONTENTS

ACCELERATOR	C1
AIR SHROUD FAN	A8
BODY	C11-12
BODY 2	D1
BODY FITTING	D2
BRAKE	B9-10
BRAKE 2	B11
BRAKE 3	B12
BUMPER	C10
CAMSHAFT VALVE	A7
CARBURETOR	A10
CARRIER JU9-300101~	D5-6
CARRIER ~JU9-300100	D3-4
CRANKCASE	A12
CRANKSHAFT PISTON	A6
CYLINDER HEAD	A5
ELECTRICAL 1 JU9-300101~	E2
ELECTRICAL 1 ~JU9-300100	D11
ELECTRICAL 2	D12, E1
ENGINE ASSEMBLY	A4
ENGINE BRACKET	B1
EXHAUST	A11
FRAME	B3
FRONT SUSPENSION WHEEL	B4-5
FUEL TANK	B8
GOVERNOR	C2
HEADLIGHT	D10
INTAKE	A9
PRIMARY SHEAVE	C3
REAR ARM SUSPENSION	B2
REAR AXLE MOUNT WHEEL	C8
SEAT	D7
SECONDARY SHEAVE	C4
SHIFTER CABLES	C9
STARTING MOTOR	D8-9
STEERING	B6-7
TRANSMISSION 1	C5-7
~MODELS IN THIS CATALOG	E3

FWD
JW41110-C230

CONTINUED ON NEXT FRAME ►

TRANSMISSION 1



Ref. No.	Part Number	Description	Qty	Remarks
57	JN3-G6344-30-00	. SHIM, 1.14MM (0.045IN)	1	UR
	JN3-G6344-40-00	. SHIM, 1.27MM (0.050IN)	1	UR
	JN3-G6344-50-00	. SHIM, 1.39MM (0.055IN)	1	UR
	JN3-G6344-60-00	. SHIM, 1.52MM (0.060IN)	1	UR
	JN3-G6344-70-00	. SHIM, 1.65MM (0.065IN)	1	UR
	JN3-G6344-80-00	. SHIM, 0.38MM (0.015IN)	1	UR
	JN3-G6344-90-00	. SHIM, 1.78MM (0.070IN)	1	UR
	JN3-G6344-A0-00	. SHIM, 1.92MM (0.075IN)	1	UR
	JN3-G6344-B0-00	. SHIM, 2.03MM (0.080IN)	1	UR
	JN3-G6344-C0-00	. SHIM, 2.12MM (0.085IN)	1	UR
	JN3-G6344-D0-00	. SHIM, 2.29MM (0.090IN)	1	UR
58	JN3-G6319-00-00	. GASKET	1	
59	JU9-G6290-02-00	. CASE ASSY	1	
60	JU0-G6164-00-00	. GOVERNOR BUSHING	1	
61	93410-25017-00	. CIRCLIP	1	

CONTENTS

ACCELERATOR	C1
AIR SHROUD FAN	A8
BODY	C11-12
BODY 2	D1
BODY FITTING	D2
BRAKE	B9-10
BRAKE 2	B11
BRAKE 3	B12
BUMPER	C10
CAMSHAFT VALVE	A7
CARBURETOR	A10
CARRIER JU9-300101~	D5-6
CARRIER ~JU9-300100	D3-4
CRANKCASE	A12
CRANKSHAFT PISTON	A6
CYLINDER HEAD	A5
ELECTRICAL 1 JU9-300101~	E2
ELECTRICAL 1 ~JU9-300100	D11
ELECTRICAL 2	D12 ,E1
ENGINE ASSEMBLY	A4
ENGINE BRACKET	B1
EXHAUST	A11
FRAME	B3
FRONT SUSPENSION WHEEL	B4-5
FUEL TANK	B8
GOVERNOR	C2
HEADLIGHT	D10
INTAKE	A9
PRIMARY SHEAVE	C3
REAR ARM SUSPENSION	B2
REAR AXLE MOUNT WHEEL	C8
SEAT	D7
SECONDARY SHEAVE	C4
SHIFTER CABLES	C9
STARTING MOTOR	D8-9
STEERING	B6-7
TRANSMISSION 1	C5-7
~MODELS IN THIS CATALOG	E3



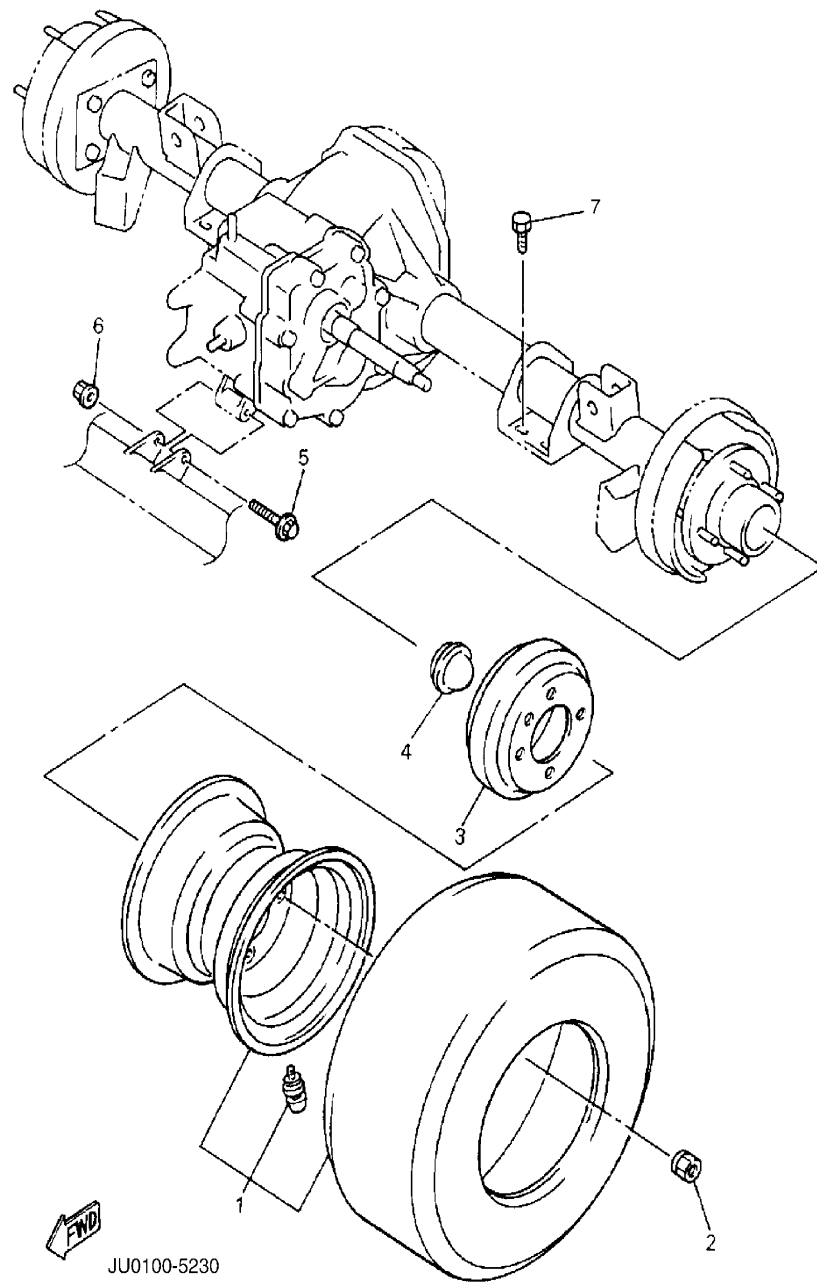
JW41110-C230

REAR AXLE MOUNT WHEEL

Ref. No.	Part Number	Description	Qty	Remarks
1	JU9-F5300-00-00	WHEEL ASSY (22X11-10 6PLY 244)	2	
2	90179-12262-00	NUT	8	
3	J55-G6521-10-00	DRUM	2	
4	JN6-F5118-00-00	COVER, HUB DUST	2	
5	9581P-08075-00	BOLT, FLANGE	1	
6	95707-08500-00	NUT, FLANGE	1	
7	9751P-10620-00	BOLT, HEX WITH WASHER (7-FQA)	8	

CONTENTS

ACCELERATOR	C1
AIR SHROUD FAN	A8
BODY	C11-12
BODY 2	D1
BODY FITTING	D2
BRAKE	B9-10
BRAKE 2	B11
BRAKE 3	B12
BUMPER	C10
CAMSHAFT VALVE	A7
CARBURETOR	A10
CARRIER JU9-300101~	D5-6
CARRIER ~JU9-300100	D3-4
CRANKCASE	A12
CRANKSHAFT PISTON	A6
CYLINDER HEAD	A5
ELECTRICAL 1 JU9-300101~	E2
ELECTRICAL 1 ~JU9-300100	D11
ELECTRICAL 2	D12 ,E1
ENGINE ASSEMBLY	A4
ENGINE BRACKET	B1
EXHAUST	A11
FRAME	B3
FRONT SUSPENSION WHEEL	B4-5
FUEL TANK	B8
GOVERNOR	C2
HEADLIGHT	D10
INTAKE	A9
PRIMARY SHEAVE	C3
REAR ARM SUSPENSION	B2
REAR AXLE MOUNT WHEEL	C8
SEAT	D7
SECONDARY SHEAVE	C4
SHIFTER CABLES	C9
STARTING MOTOR	D8-9
STEERING	B6-7
TRANSMISSION 1	C5-7
~MODELS IN THIS CATALOG	E3

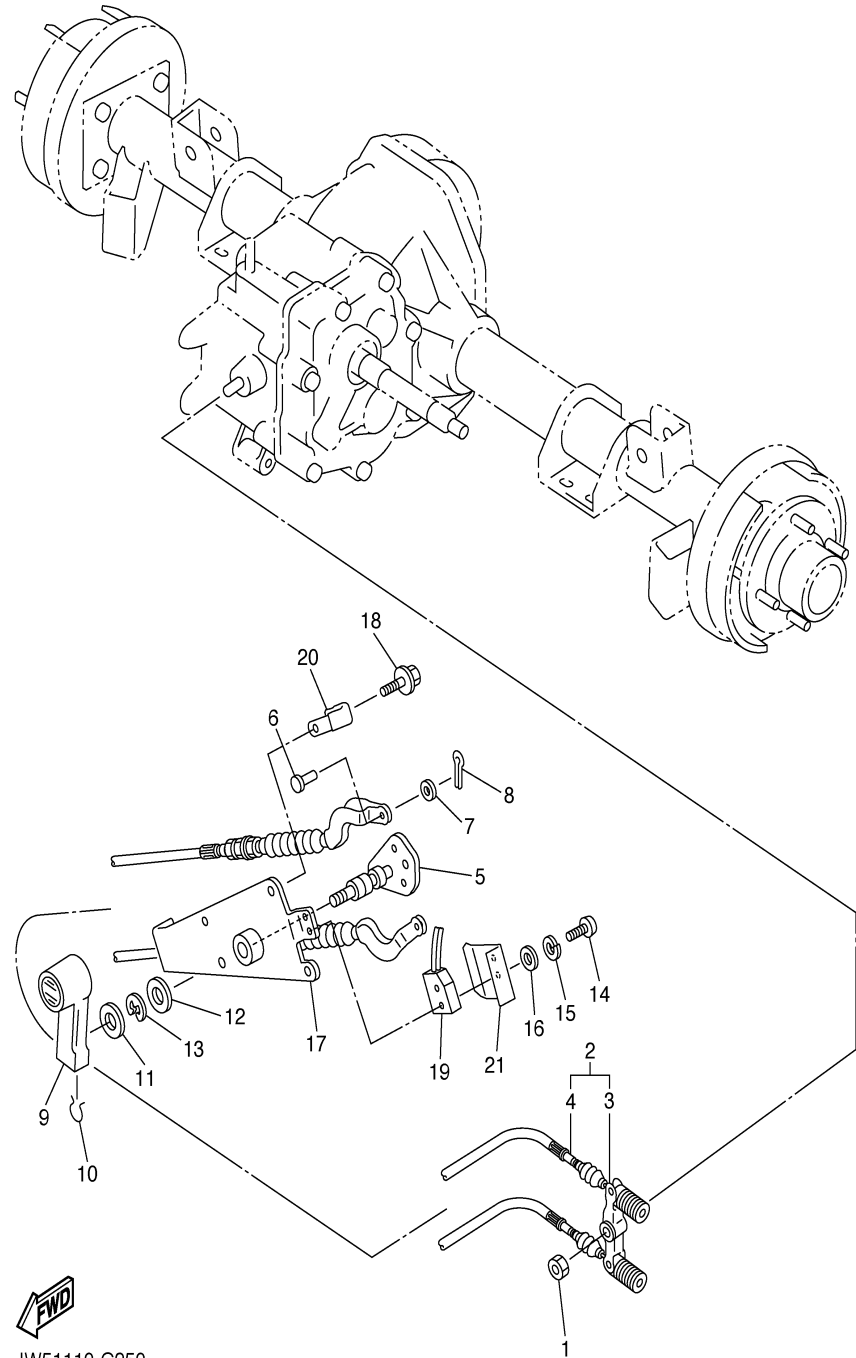


SHIFTER CABLES

Ref. No.	Part Number	Description	Qty	Remarks
1	95607-08100-00	NUT, U	1	
2	JJ3-G8330-01-00	SHIFT CABLE END ASSY	1	
3	J55-G6383-00-00	. LEVER, SHIFT	1	
4	JJ3-G6371-01-00	. WIRE, SHIFT	2	
5	JF2-46382-00-00	LEVER, SHIFT 1	1	
6	91701-06014-00	PIN	2	
7	9290P-06600-00	WASHER	2	
8	91401-20012-00	PIN, COTTER	2	
9	JN3-G6381-00-00	KNOB, SHIFT	1	
10	JN3-G6376-00-00	SPRING SET	1	
11	90201-208S8-00	WASHER, PLATE	1	
12	90201-198S7-00	WASHER, PLATE	1	
13	99009-19400-00	CIRCLIP (S)	1	
14	98507-04025-00	SCREW, PAN HEAD	2	
15	92907-04100-00	WASHER, SPRING	2	
16	92907-04600-00	WASHER	2	
17	JN3-G6372-00-00	BRACKET, SHIFT WIRE	1	
18	90105-06876-00	BOLT, FLANGE	4	
19	JN3-82617-01-00	SWITCH	1	
20	90465-06038-00	CLAMP	1	
21	JJ3-G6394-00-00	JOINT	1	

CONTENTS

ACCELERATOR	C1
AIR SHROUD FAN	A8
BODY	C11-12
BODY 2	D1
BODY FITTING	D2
BRAKE	B9-10
BRAKE 2	B11
BRAKE 3	B12
BUMPER	C10
CAMSHAFT VALVE	A7
CARBURETOR	A10
CARRIER JU9-300101~	D5-6
CARRIER ~JU9-300100	D3-4
CRANKCASE	A12
CRANKSHAFT PISTON	A6
CYLINDER HEAD	A5
ELECTRICAL 1 JU9-300101~	E2
ELECTRICAL 1 ~JU9-300100	D11
ELECTRICAL 2	D12 ,E1
ENGINE ASSEMBLY	A4
ENGINE BRACKET	B1
EXHAUST	A11
FRAME	B3
FRONT SUSPENSION WHEEL	B4-5
FUEL TANK	B8
GOVERNOR	C2
HEADLIGHT	D10
INTAKE	A9
PRIMARY SHEAVE	C3
REAR ARM SUSPENSION	B2
REAR AXLE MOUNT WHEEL	C8
SEAT	D7
SECONDARY SHEAVE	C4
SHIFTER CABLES	C9
STARTING MOTOR	D8-9
STEERING	B6-7
TRANSMISSION 1	C5-7
~MODELS IN THIS CATALOG	E3



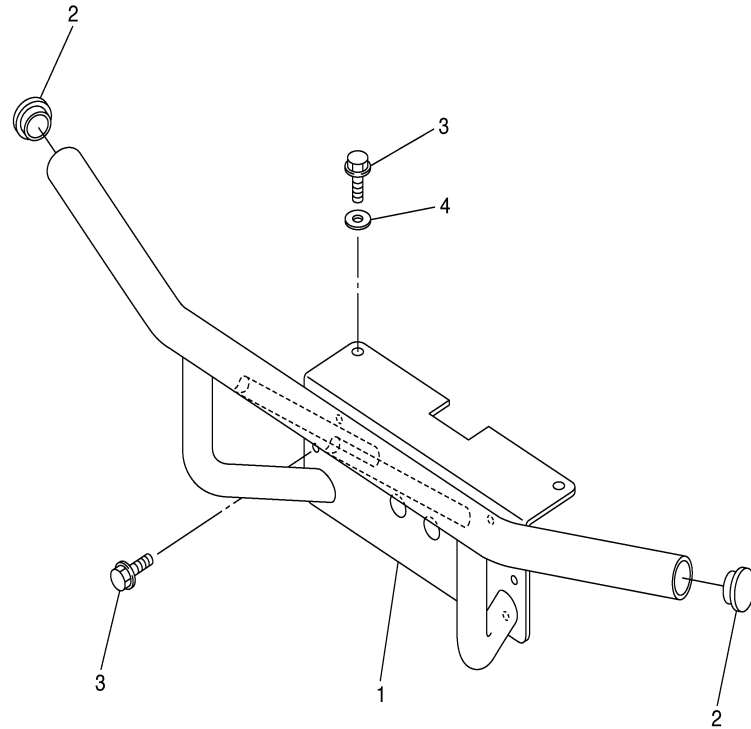
JW51110-C250

BUMPER

Ref. No.	Part Number	Description	Qty	Remarks
1	JU7-F845N-00-00	BAR, CARRY FRONT	1	
2	5UG-F2417-00-00	PLUG	2	
3	9581P-08016-00	BOLT, FLANGE	6	
4	90201-088P7-00	WASHER, PLATE	2	

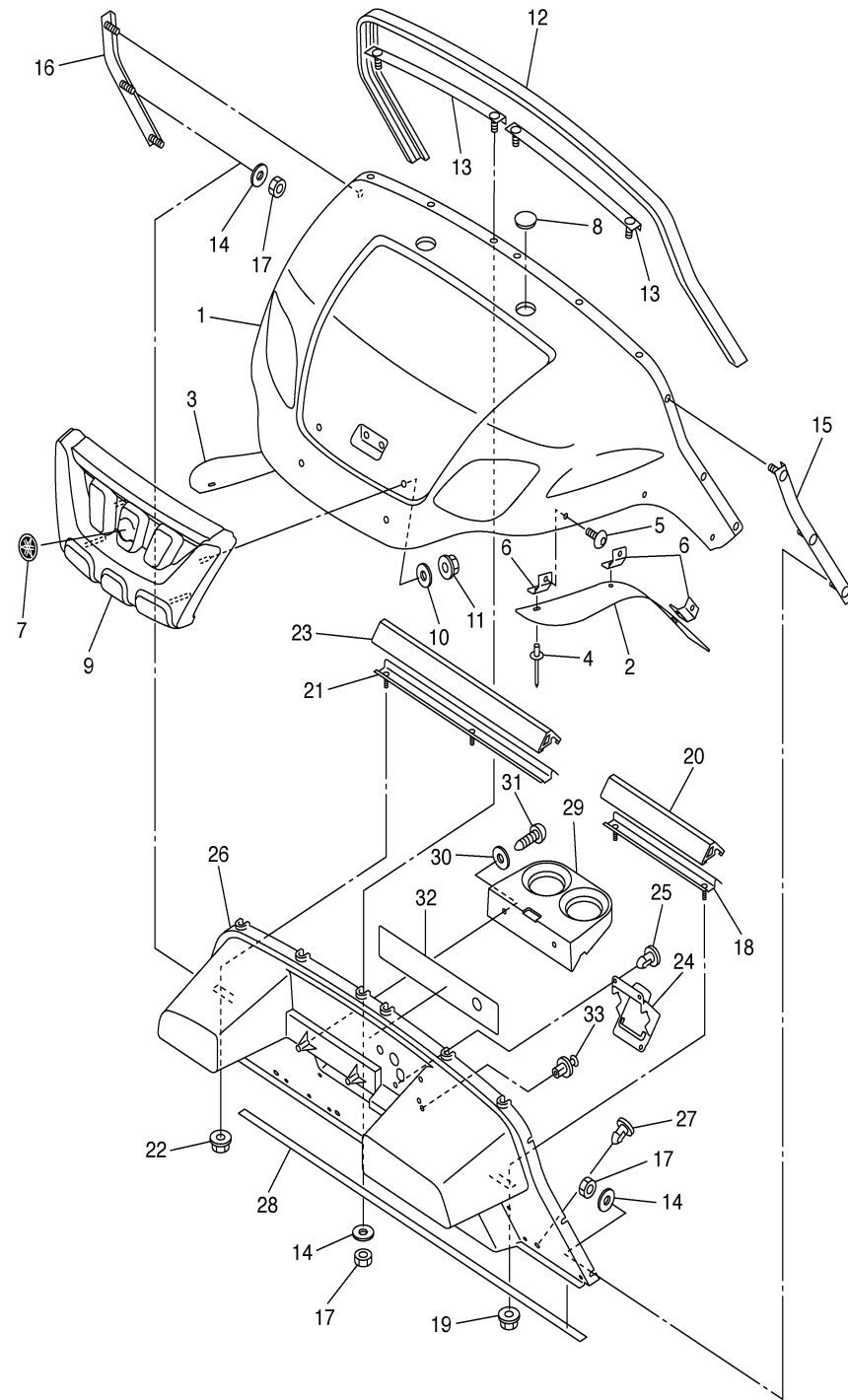
CONTENTS

ACCELERATOR	C1
AIR SHROUD FAN	A8
BODY	C11-12
BODY 2	D1
BODY FITTING	D2
BRAKE	B9-10
BRAKE 2	B11
BRAKE 3	B12
BUMPER	C10
CAMSHAFT VALVE	A7
CARBURETOR	A10
CARRIER JU9-300101~	D5-6
CARRIER ~JU9-300100	D3-4
CRANKCASE	A12
CRANKSHAFT PISTON	A6
CYLINDER HEAD	A5
ELECTRICAL 1 JU9-300101~	E2
ELECTRICAL 1 ~JU9-300100	D11
ELECTRICAL 2	D12 ,E1
ENGINE ASSEMBLY	A4
ENGINE BRACKET	B1
EXHAUST	A11
FRAME	B3
FRONT SUSPENSION WHEEL	B4-5
FUEL TANK	B8
GOVERNOR	C2
HEADLIGHT	D10
INTAKE	A9
PRIMARY SHEAVE	C3
REAR ARM SUSPENSION	B2
REAR AXLE MOUNT WHEEL	C8
SEAT	D7
SECONDARY SHEAVE	C4
SHIFTER CABLES	C9
STARTING MOTOR	D8-9
STEERING	B6-7
TRANSMISSION 1	C5-7
~MODELS IN THIS CATALOG	E3



JU71110-C260

BODY



Ref. No.	Part Number	Description	Qty	Remarks
1	JU7-K811A-00-00	COWL, FRONT	1	
2	JR6-F1551-00-00	FENDER, OVER	1	
3	JR6-F1555-00-00	FENDER, OVER 2	1	
4	90267-48831-00	RIVET, BLIND	6	
5	90110-06836-00	BOLT, HEXAGON SOCKET HEAD	6	
6	JR6-F1546-00-00	STAY, FENDER 3	6	
7	5FU-F175B-01-00	TUNING FORK MARK	1	
8	JN3-K818E-00-00	CAP, PROTECTOR	2	
9	JU7-K8217-00-00	GRILLE, FRONT	1	
10	90201-05800-00	WASHER, PLATE	4	
11	95607-05200-00	NUT, U FLANGE	4	
12	JF2-K811V-00-00	PROTECTOR 1	1	
13	JU0-K8261-00-00	PLATE, BODY PROTECT 1	2	
14	90201-06829-00	WASHER, PLATE	10	
15	JF2-K8262-01-00	PLATE, BODY PROTECT 2	1	
16	JF2-K8263-01-00	PLATE, BODY PROTECT 3	1	
17	90185-06836-00	NUT, SELF-LOCKING	10	
18	JF2-K8264-00-00	PLATE, BODY PROTECT 4	1	
19	9560P-06200-00	NUT, U-FLANGE	2	
20	JF2-K811W-00-00	PROTECTOR 2	1	
21	JF2-K8265-00-00	PLATE, BODY PROTECT 5	1	
22	9560P-06200-00	NUT, U-FLANGE	2	
23	JF2-K811X-00-00	PROTECTOR 3	1	
24	JF2-78273-01-00	COVER, HOLE	1	
25	90269-11042-00	RIVET	3	
26	JU7-K8114-00-00	PANEL, FRONT	1	SEE NOTE A
27	90269-08066-00	RIVET	3	
28	JN3-K815G-00-00	SEAL, FRONT STORAGE	1	
29	JF2-K835E-00-00	HOLDER, BEVERAGE	1	

CONTENTS

ACCELERATOR	C1
AIR SHROUD FAN	A8
BODY	C11-12
BODY 2	D1
BODY FITTING	D2
BRAKE	B9-10
BRAKE 2	B11
BRAKE 3	B12
BUMPER	C10
CAMSHAFT VALVE	A7
CARBURETOR	A10
CARRIER JU9-300101~	D5-6
CARRIER ~JU9-300100	D3-4
CRANKCASE	A12
CRANKSHAFT PISTON	A6
CYLINDER HEAD	A5
ELECTRICAL 1 JU9-300101~	E2
ELECTRICAL 1 ~JU9-300100	D11
ELECTRICAL 2	D12, E1
ENGINE ASSEMBLY	A4
ENGINE BRACKET	B1
EXHAUST	A11
FRAME	B3
FRONT SUSPENSION WHEEL	B4-5
FUEL TANK	B8
GOVERNOR	C2
HEADLIGHT	D10
INTAKE	A9
PRIMARY SHEAVE	C3
REAR ARM SUSPENSION	B2
REAR AXLE MOUNT WHEEL	C8
SEAT	D7
SECONDARY SHEAVE	C4
SHIFTER CABLES	C9
STARTING MOTOR	D8-9
STEERING	B6-7
TRANSMISSION 1	C5-7
~MODELS IN THIS CATALOG	E3

NOE A" WHEN REPLACING "PANEL FRONT JU7-K8114-00-00", YOU MUST ALSO REPLACE " LABEL WARNING 1 JU9-K7761-00-00".

CONTINUED ON NEXT FRAME ➤



JU71110-C270

G28AZ_AC

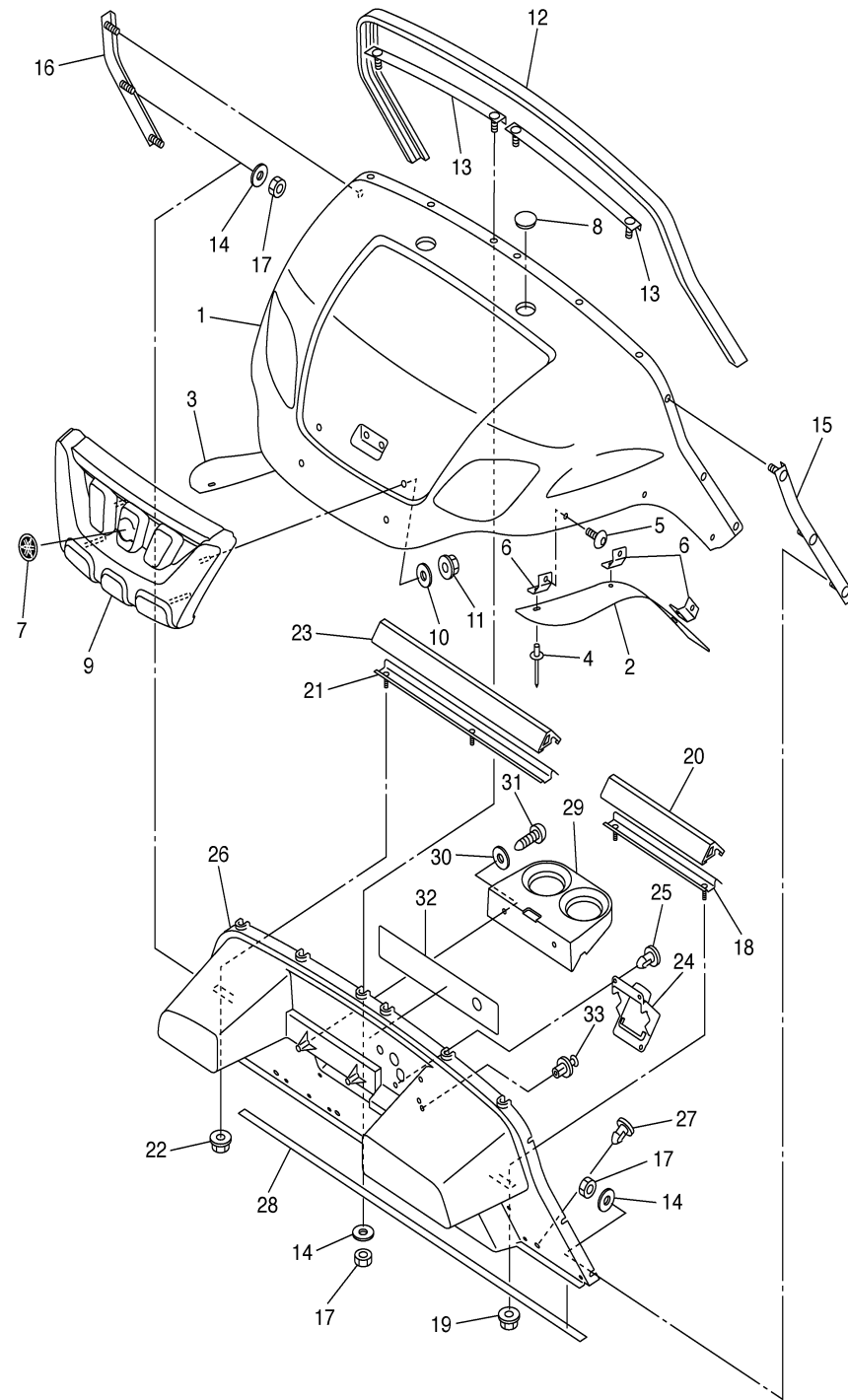
C11

BODY

Ref. No.	Part Number	Description	Qty	Remarks
30	90201-068R6-00	WASHER, PLATE	2	
31	9770P-60130-00	SCREW, TAPPING	2	
32	JU9-K7761-00-00	LABEL, WARNING 1	1	SEE NOTE A
33	90269-08069-00	RIVET	2	

CONTENTS

ACCELERATOR	C1
AIR SHROUD FAN	A8
BODY	C11-12
BODY 2	D1
BODY FITTING	D2
BRAKE	B9-10
BRAKE 2	B11
BRAKE 3	B12
BUMPER	C10
CAMSHAFT VALVE	A7
CARBURETOR	A10
CARRIER JU9-300101~	D5-6
CARRIER ~JU9-300100	D3-4
CRANKCASE	A12
CRANKSHAFT PISTON	A6
CYLINDER HEAD	A5
ELECTRICAL 1 JU9-300101~	E2
ELECTRICAL 1 ~JU9-300100	D11
ELECTRICAL 2	D12 ,E1
ENGINE ASSEMBLY	A4
ENGINE BRACKET	B1
EXHAUST	A11
FRAME	B3
FRONT SUSPENSION WHEEL	B4-5
FUEL TANK	B8
GOVERNOR	C2
HEADLIGHT	D10
INTAKE	A9
PRIMARY SHEAVE	C3
REAR ARM SUSPENSION	B2
REAR AXLE MOUNT WHEEL	C8
SEAT	D7
SECONDARY SHEAVE	C4
SHIFTER CABLES	C9
STARTING MOTOR	D8-9
STEERING	B6-7
TRANSMISSION 1	C5-7
~MODELS IN THIS CATALOG	E3



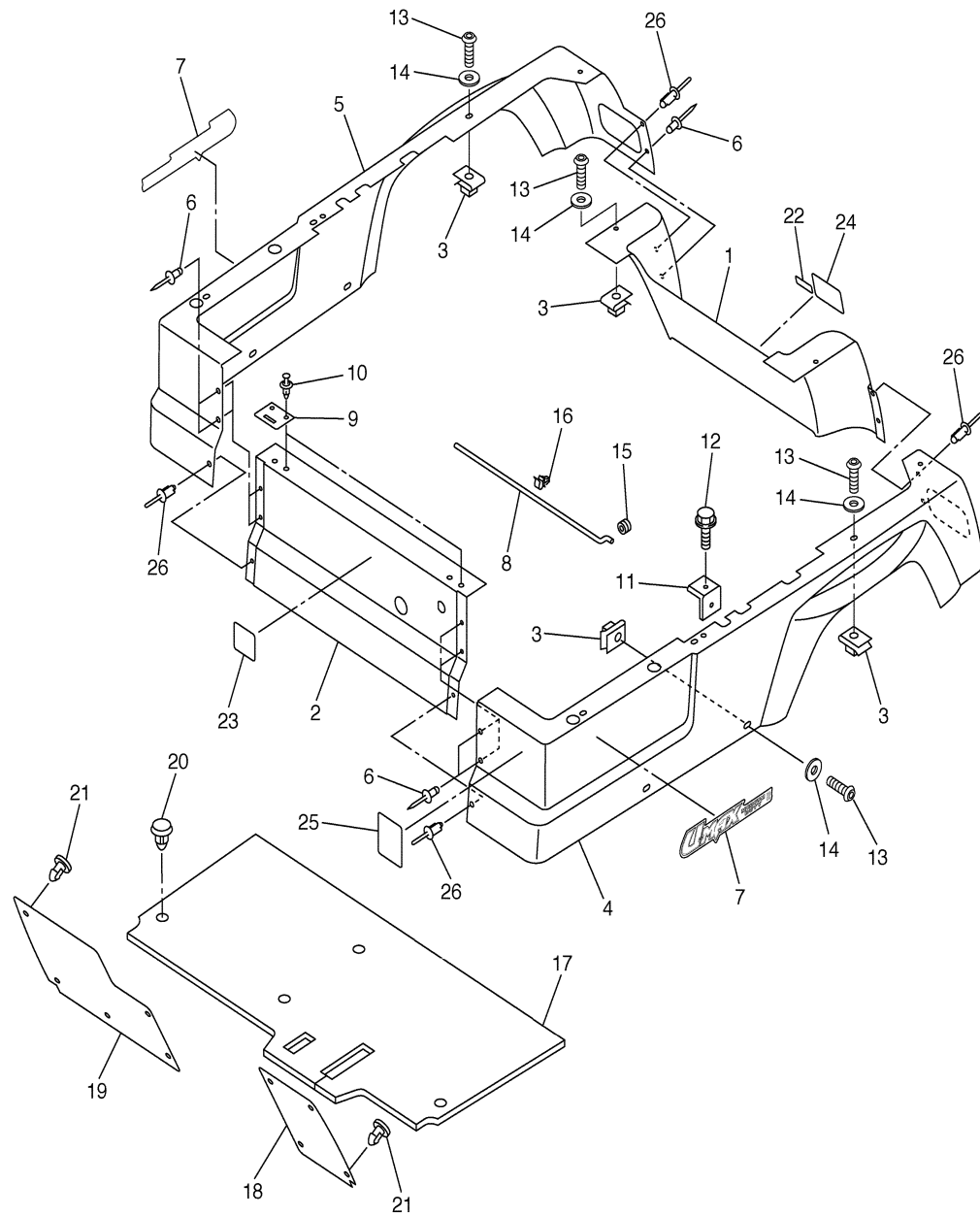
NOE A" WHEN REPLACING "PANEL FRONT JU7-K8114-00-00", YOU MUST ALSO REPLACE " LABEL WARNING 1 JU9-K7761-00-00".



JU71110-C270

G28AZ_AC

BODY 2



NOTE A: WHEN REPLACING "PANEL REAR BODY JU9-K8142-00-00", YOU MUST ALSO REPLACE "LABEL WARNING 5 JJ3-K7765-00-00", AND "LABEL WARNING JU5-K7768-00-00".

NOTE B: WHEN REPLACING "PANEL INTERMEDIATE BODY JU9-K8141-00-00", YOU MUST ALSO REPLACE "INDICATOR 1 JN3-K7741-00-00".

NOTE C: WHEN REPLACING "PANEL, BODY SHELL JU9-K8111-00-00", YOU MUST ALSO REPLACE "LABEL, CAUTION JU9-F1696-00-00".

Ref. No.	Part Number	Description	Qty	Remarks
1	JU9-K8142-00-00	PANEL, REAR BODY	1	SEE NOTE A
2	JU9-K8141-00-00	PANEL, INTERMEDIATE BODY	1	SEE NOTE B
3	90183-06811-00	NUT, SPRING	14	
4	JU9-K8111-00-00	PANEL, BODY SHELL	1	SEE NOTE C
5	JU9-K8112-00-00	PANEL, BODY SHELL	1	
6	90267-36853-00	RIVET, BLIND	6	
7	JU9-F1781-00-00	EMBLEM 1	2	
8	JJ3-K8226-00-00	ROD, SEAT STOPPER	1	
9	JJ3-K8427-01-00	HINGE, SEAT 2	2	
10	90267-64834-00	RIVET, BLIND	4	
11	JJ3-K814H-00-00	HOOK, BODY LOCK	2	~JU9-300100
	JU9-K814H-00-00	HOOK, BODY LOCK	2	JU9-300101~
12	90119-08800-00	BOLT, HEX. WITH WASHER	2	
13	90110-06836-00	BOLT, HEXAGON SOCKET HEAD	14	
14	90201-068R6-00	WASHER, PLATE	14	
15	90480-13018-00	GROMMET	1	
16	90464-10814-00	CLAMP	1	
17	JN6-K8233-01-00	MAT, MAIN FLOOR 3	1	
18	JN6-K8231-01-00	MAT, MAIN FLOOR 1	1	
19	JN6-K8232-01-00	MAT, MAIN FLOOR 2	1	
20	90269-08813-00	RIVET	4	
21	90267-63047-00	RIVET, BLIND	9	
22	JJ3-K7765-00-00	LABEL, WARNING 5	1	SEE NOTE A
23	JN3-K7741-00-00	INDICATOR 1	1	SEE NOTE B
24	JU5-K7768-00-00	LABEL, WARNING	1	SEE NOTE A
25	JU9-F1696-00-00	LABEL, CAUTION	1	SEE NOTE C
26	90267-62841-00	RIVET, BLIND	4	

CONTENTS

ACCELERATOR	C1
AIR SHROUD FAN	A8
BODY	C11-12
BODY 2	D1
BODY FITTING	D2
BRAKE	B9-10
BRAKE 2	B11
BRAKE 3	B12
BUMPER	C10
CAMSHAFT VALVE	A7
CARBURETOR	A10
CARRIER JU9-300101~	D5-6
CARRIER ~JU9-300100	D3-4
CRANKCASE	A12
CRANKSHAFT PISTON	A6
CYLINDER HEAD	A5
ELECTRICAL 1 JU9-300101~	E2
ELECTRICAL 1 ~JU9-300100	D11
ELECTRICAL 2	D12, E1
ENGINE ASSEMBLY	A4
ENGINE BRACKET	B1
EXHAUST	A11
FRAME	B3
FRONT SUSPENSION WHEEL	B4-5
FUEL TANK	B8
GOVERNOR	C2
HEADLIGHT	D10
INTAKE	A9
PRIMARY SHEAVE	C3
REAR ARM SUSPENSION	B2
REAR AXLE MOUNT WHEEL	C8
SEAT	D7
SECONDARY SHEAVE	C4
SHIFTER CABLES	C9
STARTING MOTOR	D8-9
STEERING	B6-7
TRANSMISSION 1	C5-7
~MODELS IN THIS CATALOG	E3

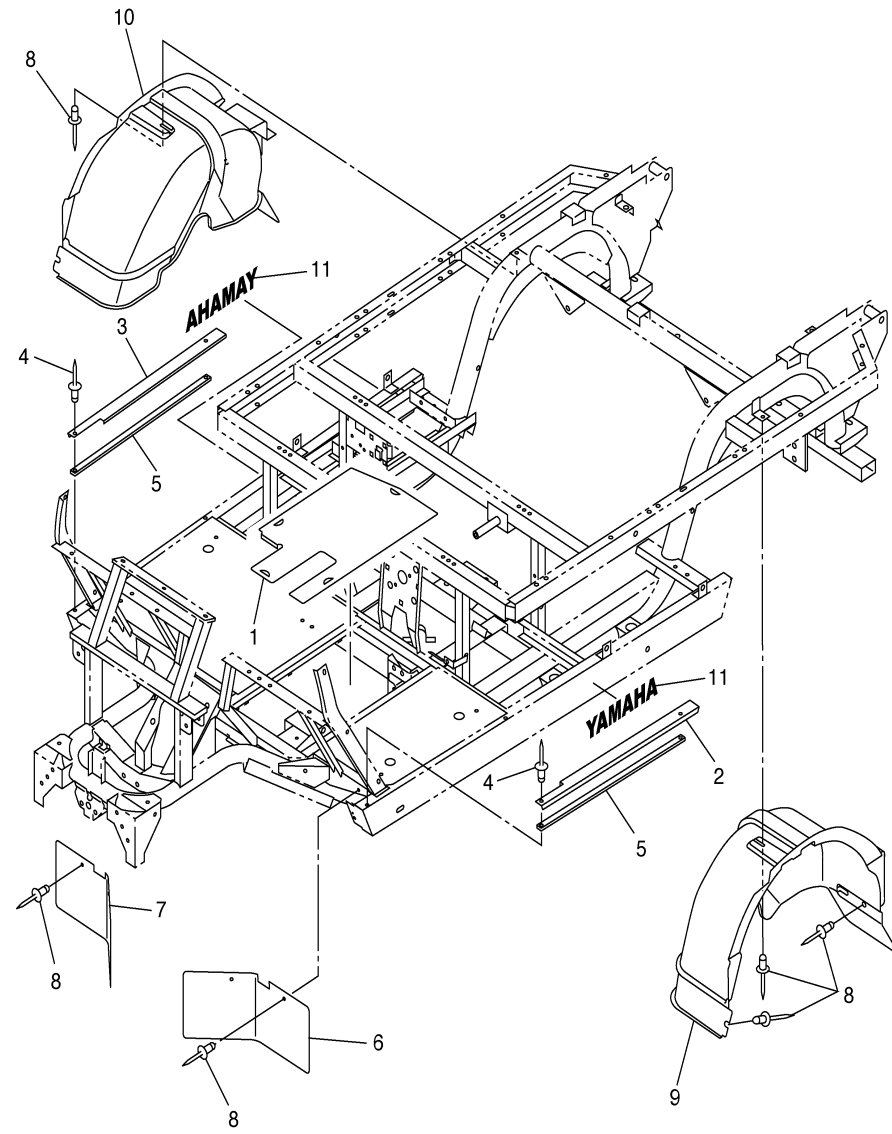


JU91110-C280

G28AZ_AC

D1

BODY FITTING



Ref. No.	Part Number	Description	Qty	Remarks
1	JN6-K8271-00-00	SERVICE LID, PEDAL	1	
2	JF2-K8215-10-00	PLATE, SIDE TRIM	1	
3	JF2-K821F-10-00	PLATE, SIDE TRIM	1	
4	90267-48154-00	RIVET, BLIND	4	
5	JJ3-K8124-00-00	REINFORCEMENT 4	2	
6	JF2-K8187-00-00	FLAP, FRONT FENDER LEFT	1	
7	JF2-K8189-00-00	FLAP, FRONT FENDER RIGHT	1	
8	90267-48831-00	RIVET, BLIND	10	
9	JJ3-K8191-00-00	PANEL, REAR FENDER 1	1	
10	JJ3-K8192-00-00	PANEL, REAR FENDER 2	1	
11	JW5-F153A-00-00	EMBLEM, YAMAHA	2	

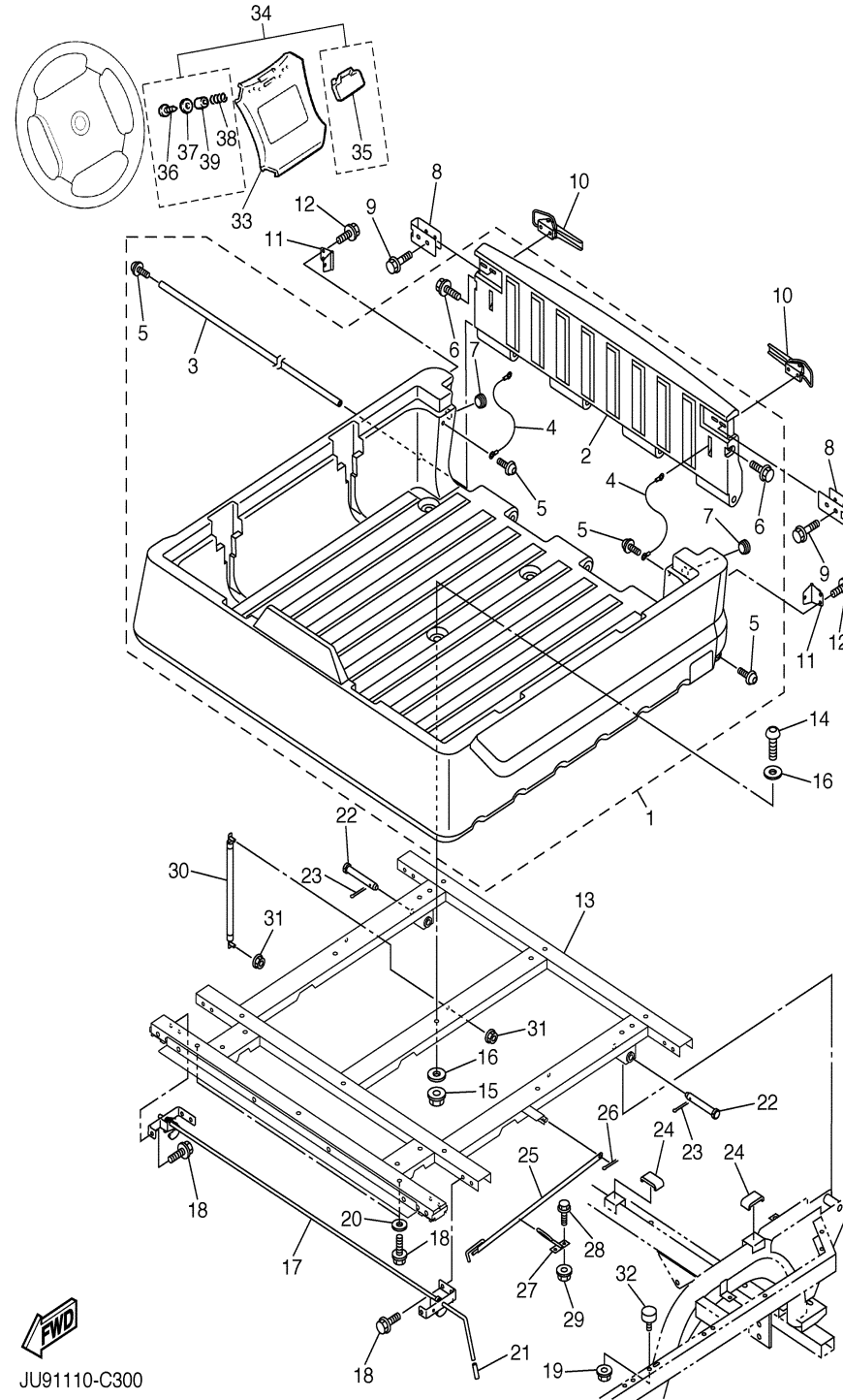
CONTENTS

ACCELERATOR	C1
AIR SHROUD FAN	A8
BODY	C11-12
BODY 2	D1
BODY FITTING	D2
BRAKE	B9-10
BRAKE 2	B11
BRAKE 3	B12
BUMPER	C10
CAMSHAFT VALVE	A7
CARBURETOR	A10
CARRIER JU9-300101~	D5-6
CARRIER ~JU9-300100	D3-4
CRANKCASE	A12
CRANKSHAFT PISTON	A6
CYLINDER HEAD	A5
ELECTRICAL 1 JU9-300101~	E2
ELECTRICAL 1 ~JU9-300100	D11
ELECTRICAL 2	D12, E1
ENGINE ASSEMBLY	A4
ENGINE BRACKET	B1
EXHAUST	A11
FRAME	B3
FRONT SUSPENSION WHEEL	B4-5
FUEL TANK	B8
GOVERNOR	C2
HEADLIGHT	D10
INTAKE	A9
PRIMARY SHEAVE	C3
REAR ARM SUSPENSION	B2
REAR AXLE MOUNT WHEEL	C8
SEAT	D7
SECONDARY SHEAVE	C4
SHIFTER CABLES	C9
STARTING MOTOR	D8-9
STEERING	B6-7
TRANSMISSION 1	C5-7
~MODELS IN THIS CATALOG	E3



JW51110-C290

CARRIER ~JU9-300100



JU91110-C300

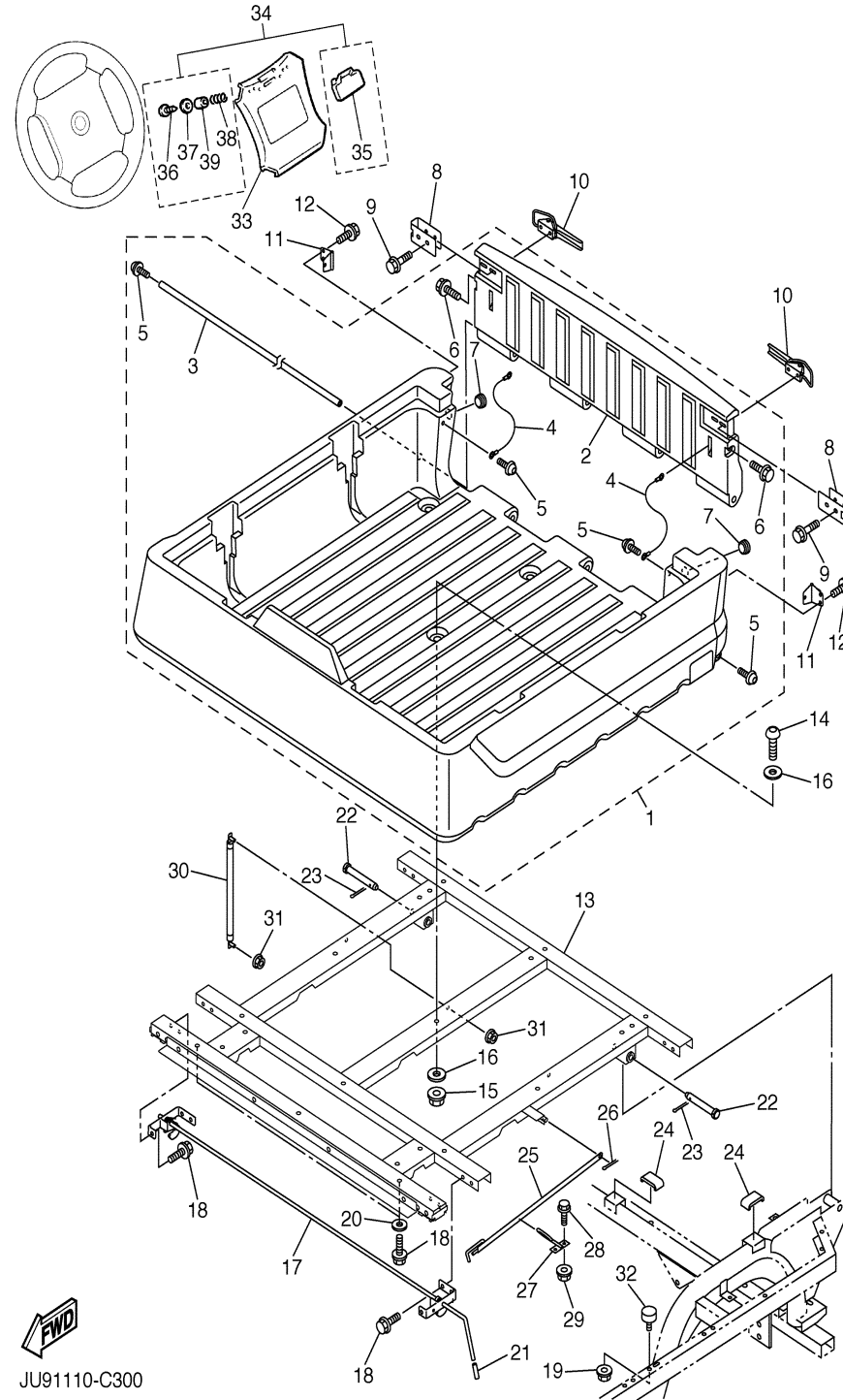
Ref. No.	Part Number	Description	Qty	Remarks
1	JU9-K810M-00-00	REAR STORAGE BOX COMP .	1	
2	JU9-K819K-00-00	. SHELL, RR. STORAGE LID ..	1	
3	JU9-K8564-00-00	. PIN, HINGE	1	
4	JU9-K7195-00-00	. HOLDER, CABLE	2	
5	JU9-K6179-00-00	. BOLT, SPECIAL 1	4	
6	JU9-K6189-00-00	. BOLT, SPECIAL 2	2	
7	JU9-K7739-10-00	. DAMPER, LID	2	
8	JU9-K7171-00-00	BODY, LATCH 1	2	
9	JU9-K8384-00-00	BOLT	4	
10	5UG-F389E-00-00	LATCH	2	
11	JU9-K7172-00-00	BODY, LATCH 2	2	
12	90119-06830-00	BOLT, HEX. W/WASHER	6	
13	JU9-K818N-00-00	BED, BOX	1	
14	90111-10800-00	BOLT, BUTTON HEAD	7	
15	9560P-10200-00	NUT, U-FLANGE	7	
16	90201-10830-00	WASHER, PLATE	12	
17	JU9-K8380-01-00	LOCK ASSY	1	
18	9582P-08020-00	BOLT, FLANGE	8	
19	9560P-08200-00	NUT, SELF-LOCKING	2	
20	90201-088P7-00	WASHER, PLATE	2	
21	JJ3-K818M-00-00	CAP, PROTECTOR END 4	1	
22	90240-13801-00	PIN, CLEVIS	2	
23	91401-30025-00	PIN, SPLIT	2	
24	JJ3-K815H-01-00	DAMPER, LOCK	3	
25	JU5-K8158-00-00	ROD, INSPECTION LID	1	
26	91401-20020-00	PIN, COTTER	1	
27	JJ3-K8369-00-00	PIN, LEVER	1	
28	90119-06830-00	BOLT, HEX. W/WASHER	2	
29	9560P-06200-00	NUT, U-FLANGE	2	
30	JJ3-K7588-00-00	DAMPER 1	1	

CONTENTS

ACCELERATOR	C1
AIR SHROUD FAN	A8
BODY	C11-12
BODY 2	D1
BODY FITTING	D2
BRAKE	B9-10
BRAKE 2	B11
BRAKE 3	B12
BUMPER	C10
CAMSHAFT VALVE	A7
CARBURETOR	A10
CARRIER JU9-300101~	D5-6
CARRIER ~JU9-300100	D3-4
CRANKCASE	A12
CRANKSHAFT PISTON	A6
CYLINDER HEAD	A5
ELECTRICAL 1 JU9-300101~	E2
ELECTRICAL 1 ~JU9-300100	D11
ELECTRICAL 2	D12, E1
ENGINE ASSEMBLY	A4
ENGINE BRACKET	B1
EXHAUST	A11
FRAME	B3
FRONT SUSPENSION WHEEL	B4-5
FUEL TANK	B8
GOVERNOR	C2
HEADLIGHT	D10
INTAKE	A9
PRIMARY SHEAVE	C3
REAR ARM SUSPENSION	B2
REAR AXLE MOUNT WHEEL	C8
SEAT	D7
SECONDARY SHEAVE	C4
SHIFTER CABLES	C9
STARTING MOTOR	D8-9
STEERING	B6-7
TRANSMISSION 1	C5-7
~MODELS IN THIS CATALOG	E3

CONTINUED ON NEXT FRAME ►

CARRIER ~JU9-300100



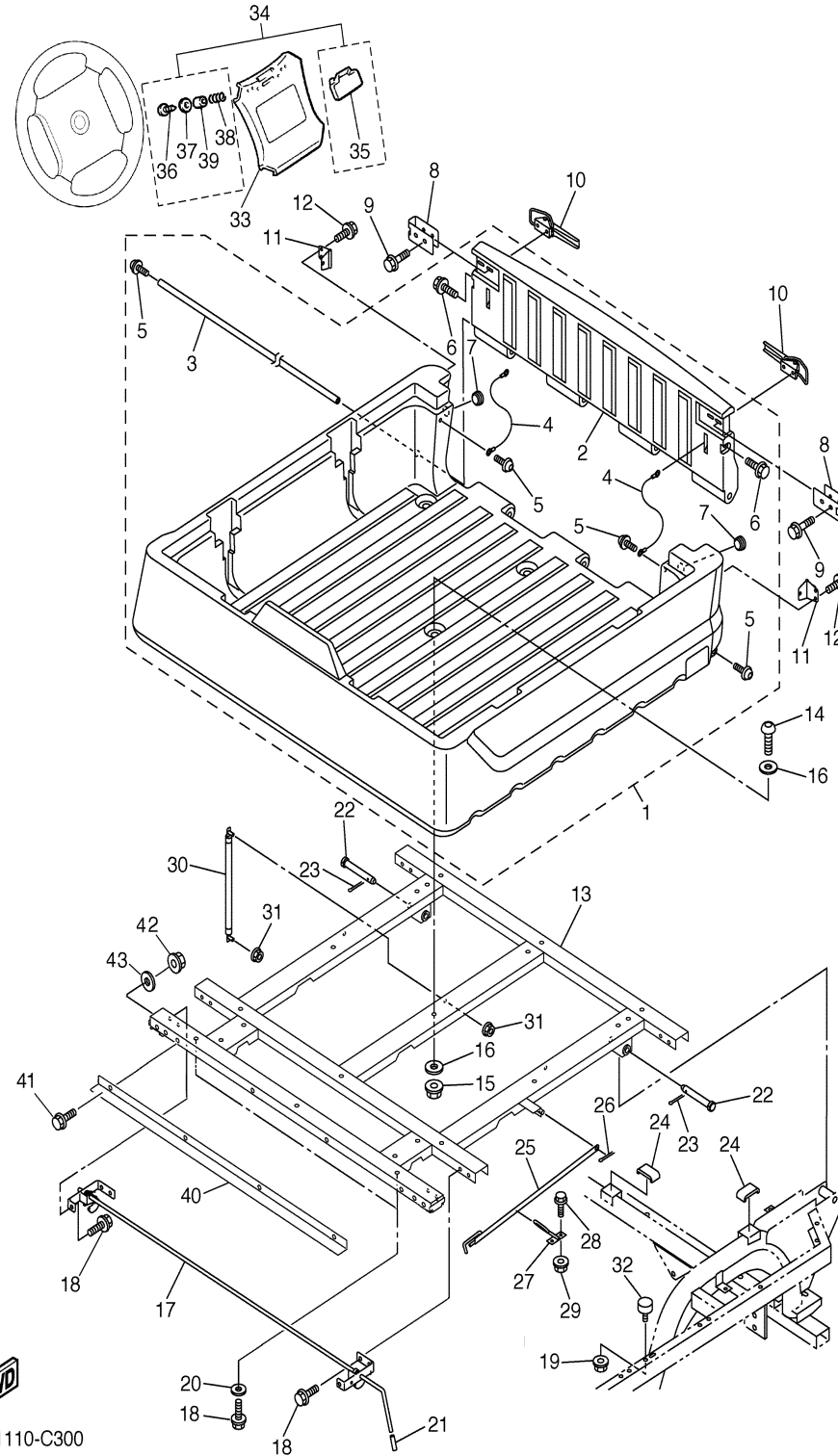
JU91110-C300

Ref. No.	Part Number	Description	Qty	Remarks
31	9560P-08200-00	NUT, SELF-LOCKING	2	
32	JU5-K8167-00-00	BUMPER, RUBBER 1	2	
33	JN3-K8357-00-00	HOLDER 1	1	
34	JN6-W001D-00-00	SCORE CARD HOLDER KIT ..	1	
35	JN6-K8358-01-00	. HOLDER 2	1	
36	97707-40525-00	. SCREW, TAPPING	2	
37	90201-048R5-00	. WASHER, PLATE	2	
38	90502-10013-00	. SPRING, CONICAL	2	
39	90387-046N7-00	. COLLAR	2	

CONTENTS

ACCELERATOR	C1
AIR SHROUD FAN	A8
BODY	C11-12
BODY 2	D1
BODY FITTING	D2
BRAKE	B9-10
BRAKE 2	B11
BRAKE 3	B12
BUMPER	C10
CAMSHAFT VALVE	A7
CARBURETOR	A10
CARRIER JU9-300101~	D5-6
CARRIER ~JU9-300100	D3-4
CRANKCASE	A12
CRANKSHAFT PISTON	A6
CYLINDER HEAD	A5
ELECTRICAL 1 JU9-300101~	E2
ELECTRICAL 1 ~JU9-300100	D11
ELECTRICAL 2	D12 ,E1
ENGINE ASSEMBLY	A4
ENGINE BRACKET	B1
EXHAUST	A11
FRAME	B3
FRONT SUSPENSION WHEEL	B4-5
FUEL TANK	B8
GOVERNOR	C2
HEADLIGHT	D10
INTAKE	A9
PRIMARY SHEAVE	C3
REAR ARM SUSPENSION	B2
REAR AXLE MOUNT WHEEL	C8
SEAT	D7
SECONDARY SHEAVE	C4
SHIFTER CABLES	C9
STARTING MOTOR	D8-9
STEERING	B6-7
TRANSMISSION 1	C5-7
~MODELS IN THIS CATALOG	E3

CARRIER JU9-300101~



JU91110-C300

G28AZ_AC

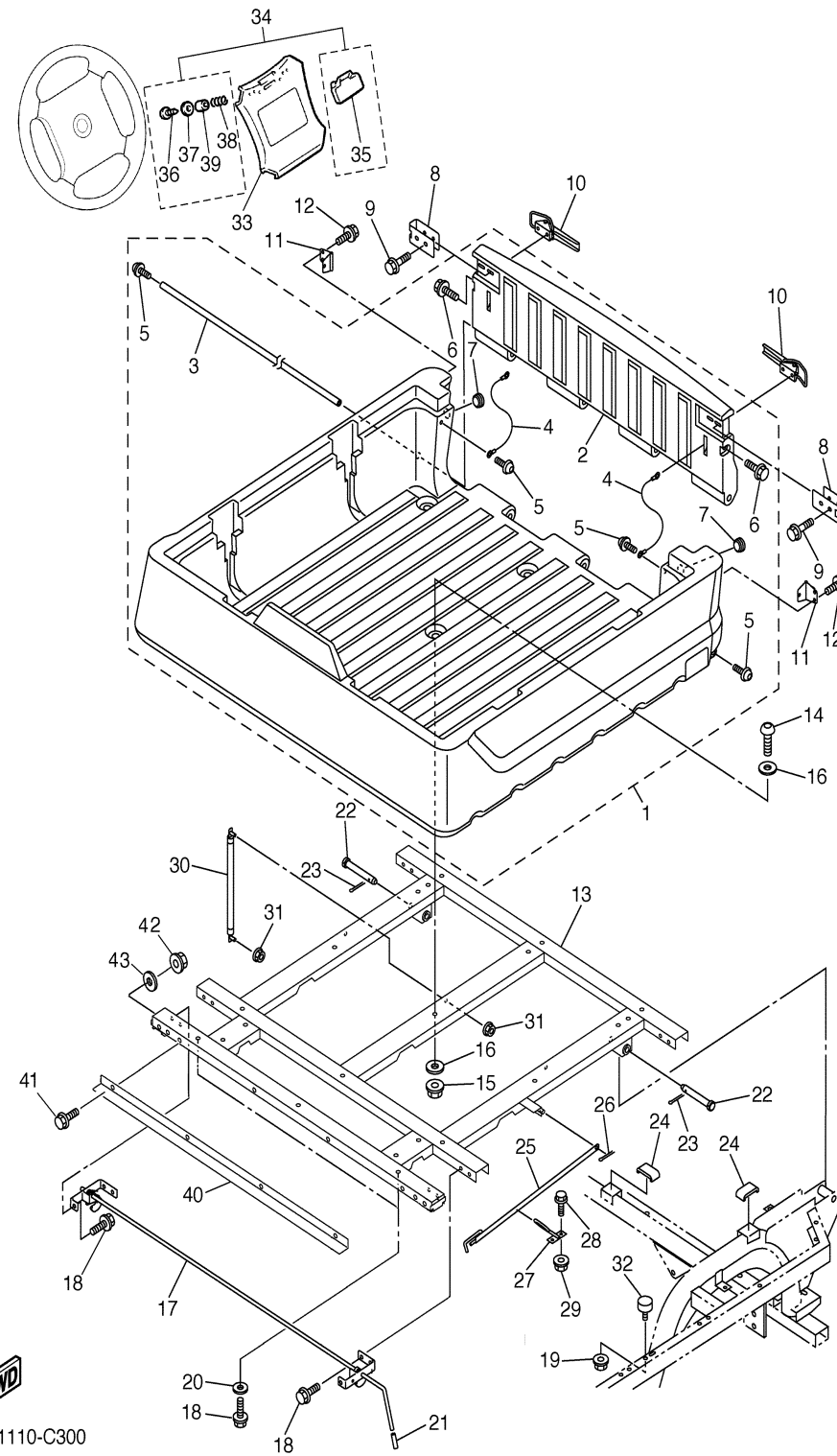
Ref. No.	Part Number	Description	Qty	Remarks
1	JU9-K810M-00-00	REAR STORAGE BOX COMP .	1	
2	JU9-K819K-00-00	. SHELL, RR. STORAGE LID ..	1	
3	JU9-K8564-00-00	. PIN, HINGE	1	
4	JU9-K7195-00-00	. HOLDER, CABLE	2	
5	JU9-K6179-00-00	. BOLT, SPECIAL 1	4	
6	JU9-K6189-00-00	. BOLT, SPECIAL 2	2	
7	JU9-K7739-10-00	. DAMPER, LID	2	
8	JU9-K7171-00-00	BODY, LATCH 1	2	
9	JU9-K8383-00-00	BOLT	4	
10	5UG-F389E-00-00	LATCH	2	
11	JU9-K7172-00-00	BODY, LATCH 2	2	
12	90119-06830-00	BOLT, HEX. W/WASHER	6	
13	JU9-K818N-01-00	BED, BOX	1	
14	90111-100800-00	BOLT, BUTTON HEAD	7	
15	9560P-10200-00	NUT, FLANGE	7	
16	90201-10830-00	WASHER, PLATE	12	
17	JU9-K8380-01-00	LOCK ASSY	1	
18	9582P-08022-00	BOLT, FLANGE	8	
19	95650P-08200-00	NUT	2	
20	90201-088P7-00	WASHER, PLATE	2	
21	JJ3-K818M-00-00	CAP, PROTECTOR END 4	1	
22	90240-13801-00	PIN, CLEVIS	2	
23	91401-30025-00	PIN, SPLIT	2	
24	JJ3-K815H-01-00	DAMPER, LOCK	3	
25	JU5-K8158-00-00	ROD, INSPECTION LID	1	
26	91401-20020-00	PIN, COTTER	1	
27	JJ3-K8369-00-00	PIN, LEVER	1	
28	90119-06830-00	BOLT, HEX. W/WASHER	2	
29	9560P-06200-00	NUT, U-FLANGE	2	
30	JJ3-K7588-00-00	DAMPER 1	1	

CONTENTS

ACCELERATOR	C1
AIR SHROUD FAN	A8
BODY	C11-12
BODY 2	D1
BODY FITTING	D2
BRAKE	B9-10
BRAKE 2	B11
BRAKE 3	B12
BUMPER	C10
CAMSHAFT VALVE	A7
CARBURETOR	A10
CARRIER JU9-300101~	D5-6
CARRIER ~JU9-300100	D3-4
CRANKCASE	A12
CRANKSHAFT PISTON	A6
CYLINDER HEAD	A5
ELECTRICAL 1 JU9-300101~	E2
ELECTRICAL 1 ~JU9-300100	D11
ELECTRICAL 2	D12 ,E1
ENGINE ASSEMBLY	A4
ENGINE BRACKET	B1
EXHAUST	A11
FRAME	B3
FRONT SUSPENSION WHEEL	B4-5
FUEL TANK	B8
GOVERNOR	C2
HEADLIGHT	D10
INTAKE	A9
PRIMARY SHEAVE	C3
REAR ARM SUSPENSION	B2
REAR AXLE MOUNT WHEEL	C8
SEAT	D7
SECONDARY SHEAVE	C4
SHIFTER CABLES	C9
STARTING MOTOR	D8-9
STEERING	B6-7
TRANSMISSION 1	C5-7
~MODELS IN THIS CATALOG	E3

CONTINUED ON NEXT FRAME ►

CARRIER JU9-300101~



Ref. No.	Part Number	Description	Qty	Remarks
31	9560P-08200-00	NUT, SELF-LOCKING	2	
32	JU5-K8167-10-00	BUMPER, RUBBER 1	2	
33	JN3-K8357-00-00	HOLDER 1	1	
34	JN6-W001D-00-00	SCORE CARD HOLDER KIT ..	1	
35	JN6-K8358-01-00	. HOLDER 2	1	
36	97707-40525-00	. SCREW, TAPPING	2	
37	90201-048R5-00	. WASHER, PLATE	2	
38	90502-10013-00	. SPRING, CONICAL	2	
39	90387-046N7-00	. COLLAR	2	
40	JU9-K8284-01-00	COVER, 4	1	
41	9582P-06016-00	BOLT, FLANGE	4	
42	9560P-06200-00	NUT, U-FLANGE	4	
43	90201-068R3-00	WASHER, PLATE	4	

CONTENTS

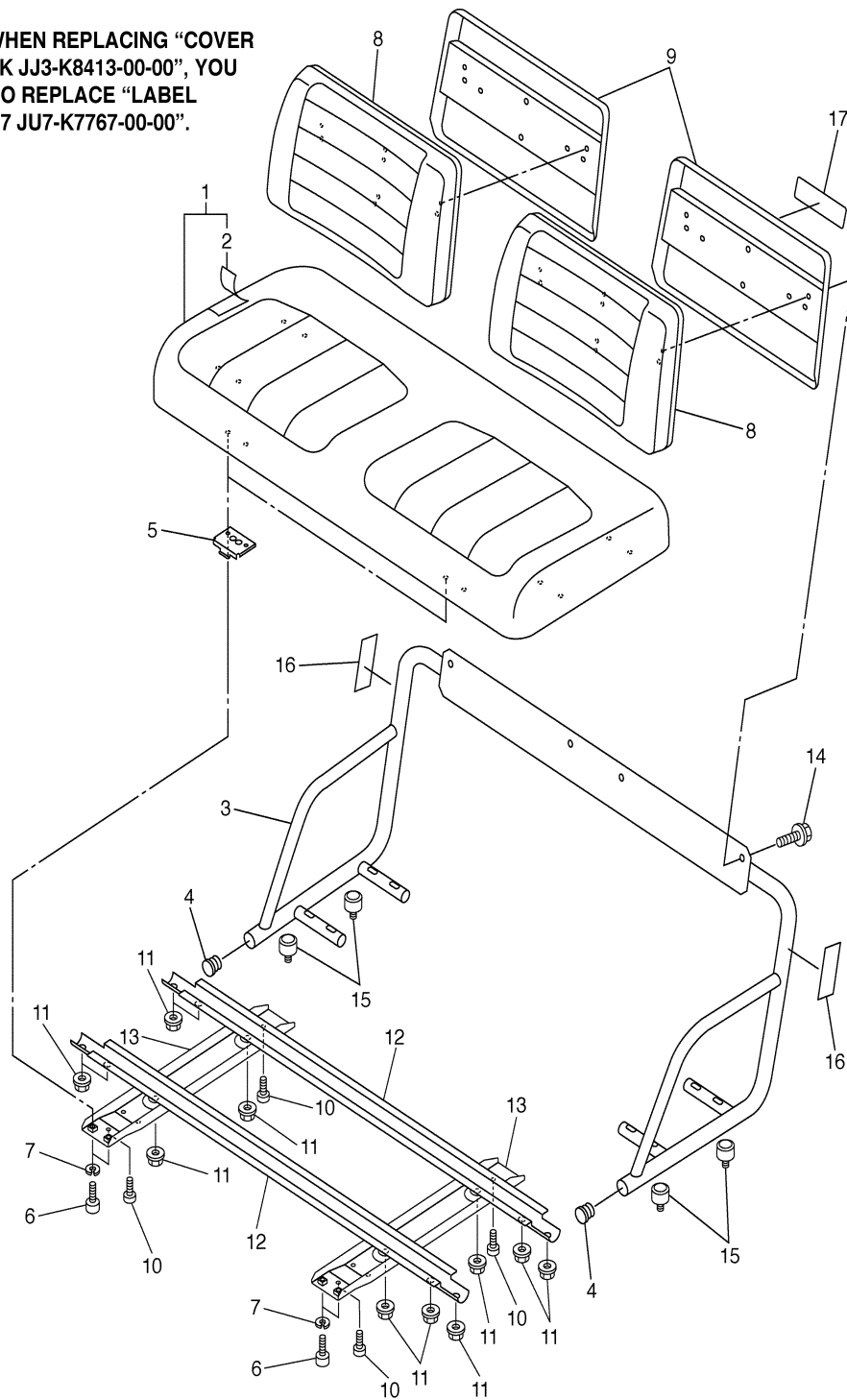
ACCELERATOR	C1
AIR SHROUD FAN	A8
BODY	C11-12
BODY 2	D1
BODY FITTING	D2
BRAKE	B9-10
BRAKE 2	B11
BRAKE 3	B12
BUMPER	C10
CAMSHAFT VALVE	A7
CARBURETOR	A10
CARRIER JU9-300101~	D5-6
CARRIER ~JU9-300100	D3-4
CRANKCASE	A12
CRANKSHAFT PISTON	A6
CYLINDER HEAD	A5
ELECTRICAL 1 JU9-300101~	E2
ELECTRICAL 1 ~JU9-300100	D11
ELECTRICAL 2	D12 ,E1
ENGINE ASSEMBLY	A4
ENGINE BRACKET	B1
EXHAUST	A11
FRAME	B3
FRONT SUSPENSION WHEEL	B4-5
FUEL TANK	B8
GOVERNOR	C2
HEADLIGHT	D10
INTAKE	A9
PRIMARY SHEAVE	C3
REAR ARM SUSPENSION	B2
REAR AXLE MOUNT WHEEL	C8
SEAT	D7
SECONDARY SHEAVE	C4
SHIFTER CABLES	C9
STARTING MOTOR	D8-9
STEERING	B6-7
TRANSMISSION 1	C5-7
~MODELS IN THIS CATALOG	E3

JU91110-C300

G28AZ_AC

D6

NOTE B: WHEN REPLACING "COVER SEAT BACK JJ3-K8413-00-00", YOU MUST ALSO REPLACE "LABEL WARNING 7 JU7-K7767-00-00".



NOTE A: WHEN REPLACING "SEAT ASSY 2 JU9-K8420-00-00", YOU MUST ALSO REPLACE "LABEL WARNING 4 5UG-K7764-00-00".



JW51110-C310

G28AZ_AC

SEAT

Ref. No.	Part Number	Description	Qty	Remarks
1	JU9-K8401-00-00	SEAT SUB-ASSY, CUSHION ..	1	
2	JU9-K8404-00-00	. COVER, SEAT	1	
3	JU9-K8420-00-00	SEAT ASSY 2	1	SEE NOTE A
4	JU7-F111A-00-00	CAP, MAIN PIPE	2	
5	JN3-K8426-01-00	HINGE, SEAT MALE	2	
6	90111-06810-00	BOLT, HEX	4	
7	90204-06807-00	WASHER, SPRING	4	
8	JU7-K8402-00-00	SEAT SUB ASSY, BACK	2	
9	JJ3-K8413-10-00	COVER, SEAT BACK	2	SEE NOTE B
10	90167-04815-00	SCREW, PAN HEAD TAP	4	
11	9560P-08200-00	NUT, SELF-LOCKING	12	
12	JN6-K8121-00-00	REINFORCEMENT 1	2	
13	JN6-K8122-02-00	REINFORCEMENT 2	2	
14	90119-06837-00	BOLT, HEX. WITH WASHER ..	4	
15	JU5-K8167-00-00	BUMPER, RUBBER 1	4	
16	5UG-K7764-00-00	LABEL, WARNING 4	1	SEE NOTE A
17	JU7-K7767-00-00	LABEL, WARNING 7	1	SEE NOTE B

CONTENTS

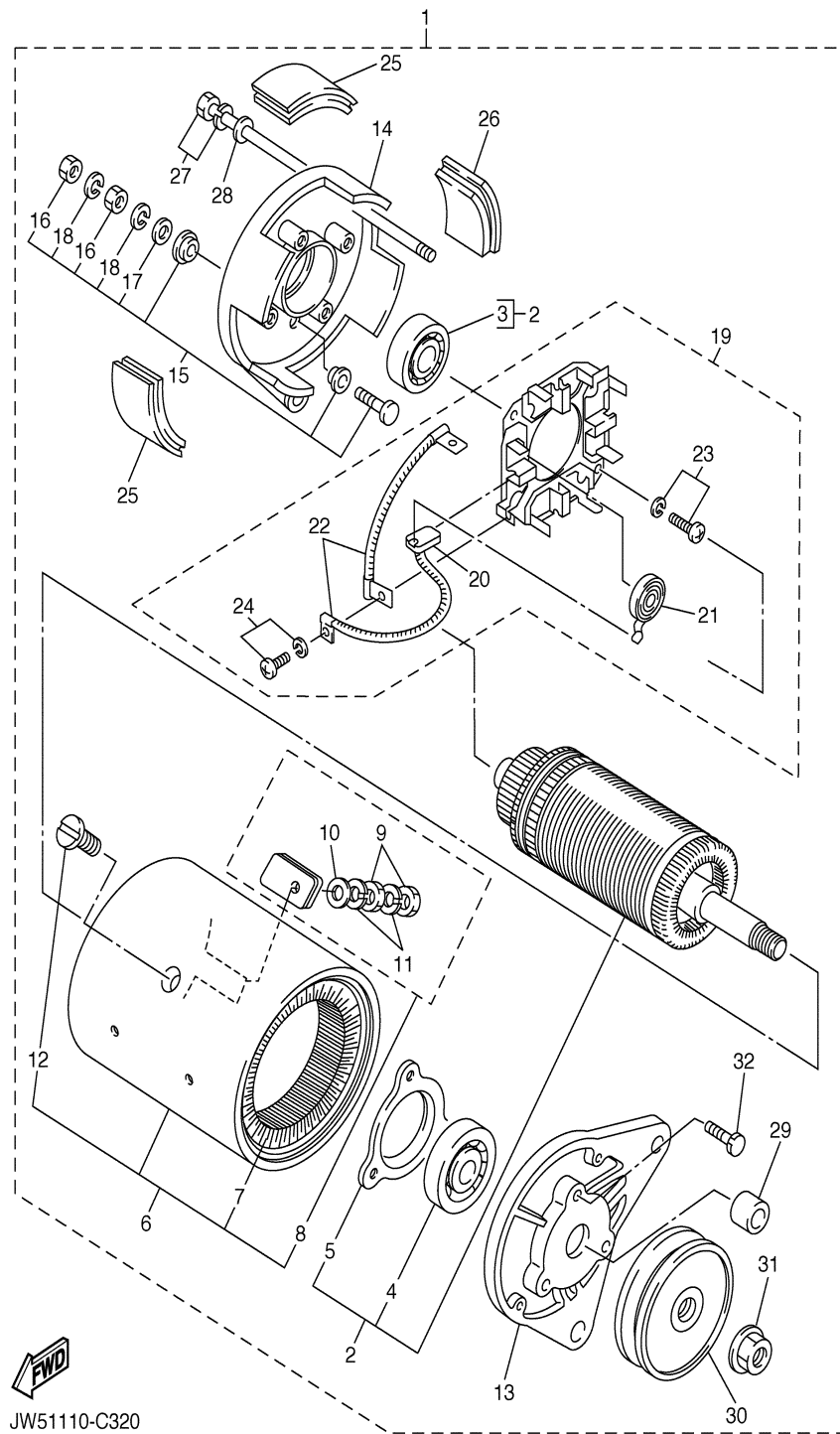
ACCELERATOR	C1
AIR SHROUD FAN	A8
BODY	C11-12
BODY 2	D1
BODY FITTING	D2
BRAKE	B9-10
BRAKE 2	B11
BRAKE 3	B12
BUMPER	C10
CAMSHAFT VALVE	A7
CARBURETOR	A10
CARRIER JU9-300101~	D5-6
CARRIER ~JU9-300100	D3-4
CRANKCASE	A12
CRANKSHAFT PISTON	A6
CYLINDER HEAD	A5
ELECTRICAL 1 JU9-300101~	E2
ELECTRICAL 1 ~JU9-300100	D11
ELECTRICAL 2	D12, E1
ENGINE ASSEMBLY	A4
ENGINE BRACKET	B1
EXHAUST	A11
FRAME	B3
FRONT SUSPENSION WHEEL	B4-5
FUEL TANK	B8
GOVERNOR	C2
HEADLIGHT	D10
INTAKE	A9
PRIMARY SHEAVE	C3
REAR ARM SUSPENSION	B2
REAR AXLE MOUNT WHEEL	C8
SEAT	D7
SECONDARY SHEAVE	C4
SHIFTER CABLES	C9
STARTING MOTOR	D8-9
STEERING	B6-7
TRANSMISSION 1	C5-7
~MODELS IN THIS CATALOG	E3

STARTING MOTOR

Ref. No.	Part Number	Description	Qty	Remarks
1	JN6-H1100-03-00	STARTER GENERATOR	1	
2	JN3-H1150-00-00	. ARMATURE ASSY	1	
3	J10-H1157-10-00	.. BEARING 1 (6202 SD)	1	
4	J10-H1158-10-00	.. BEARING 2 (6203 SD)	1	
5	J10-H1159-10-00	.. HOLDER, BEARING	1	
6	JN6-H1110-10-00	. STATOR ASSY	1	
7	JN6-H1160-10-00	.. FIELD COIL ASSY	1	
8	J10-81148-10-00	.. SCREW	2	
9	9530N-06600-00	.. NUT	2	
10	9290N-06600-00	.. WASHER	1	
11	9290N-06100-00	.. WASHER, SPRING	2	
12	J10-81146-10-00	.. SCREW	4	
13	J38-H1165-10-00	. BRACKET, STARTER GENERATOR 1	1	
14	J10-H1166-10-00	. BRACKET, STARTER GENERATOR 2	1	
15	J10-H1147-10-00	. SCREW 3	2	
16	9530N-06600-00	.. NUT	2	
17	9290N-06600-00	.. WASHER	1	
18	9290N-06100-00	.. WASHER, SPRING	2	
19	JN6-H1119-00-00	. BRUSH HOLDER ASSY	1	
20	JF2-H1111-00-00	.. BRUSH	4	
21	JN6-H1113-00-00	.. SPRING, BRUSH	4	
22	J10-H1115-10-00	.. WIRE, LEAD	2	
23	9850N-05016-00	.. SCREW, PAN HEAD	2	
24	9850N-04010-00	.. SCREW, PAN HEAD	4	
25	J10-H1129-10-00	. COVER, BRUSH	3	
26	J10-H1139-10-00	. COVER, BRUSH 2	1	
27	J10-81145-10-00	. SCREW	2	
28	9290N-06600-00	. WASHER	2	
29	JN3-H1661-00-00	. SPACER	1	

CONTENTS

ACCELERATOR	C1
AIR SHROUD FAN	A8
BODY	C11-12
BODY 2	D1
BODY FITTING	D2
BRAKE	B9-10
BRAKE 2	B11
BRAKE 3	B12
BUMPER	C10
CAMSHAFT VALVE	A7
CARBURETOR	A10
CARRIER JU9-300101~	D5-6
CARRIER ~JU9-300100	D3-4
CRANKCASE	A12
CRANKSHAFT PISTON	A6
CYLINDER HEAD	A5
ELECTRICAL 1 JU9-300101~	E2
ELECTRICAL 1 ~JU9-300100	D11
ELECTRICAL 2	D12, E1
ENGINE ASSEMBLY	A4
ENGINE BRACKET	B1
EXHAUST	A11
FRAME	B3
FRONT SUSPENSION WHEEL	B4-5
FUEL TANK	B8
GOVERNOR	C2
HEADLIGHT	D10
INTAKE	A9
PRIMARY SHEAVE	C3
REAR ARM SUSPENSION	B2
REAR AXLE MOUNT WHEEL	C8
SEAT	D7
SECONDARY SHEAVE	C4
SHIFTER CABLES	C9
STARTING MOTOR	D8-9
STEERING	B6-7
TRANSMISSION 1	C5-7
~MODELS IN THIS CATALOG	E3



JW51110-C320

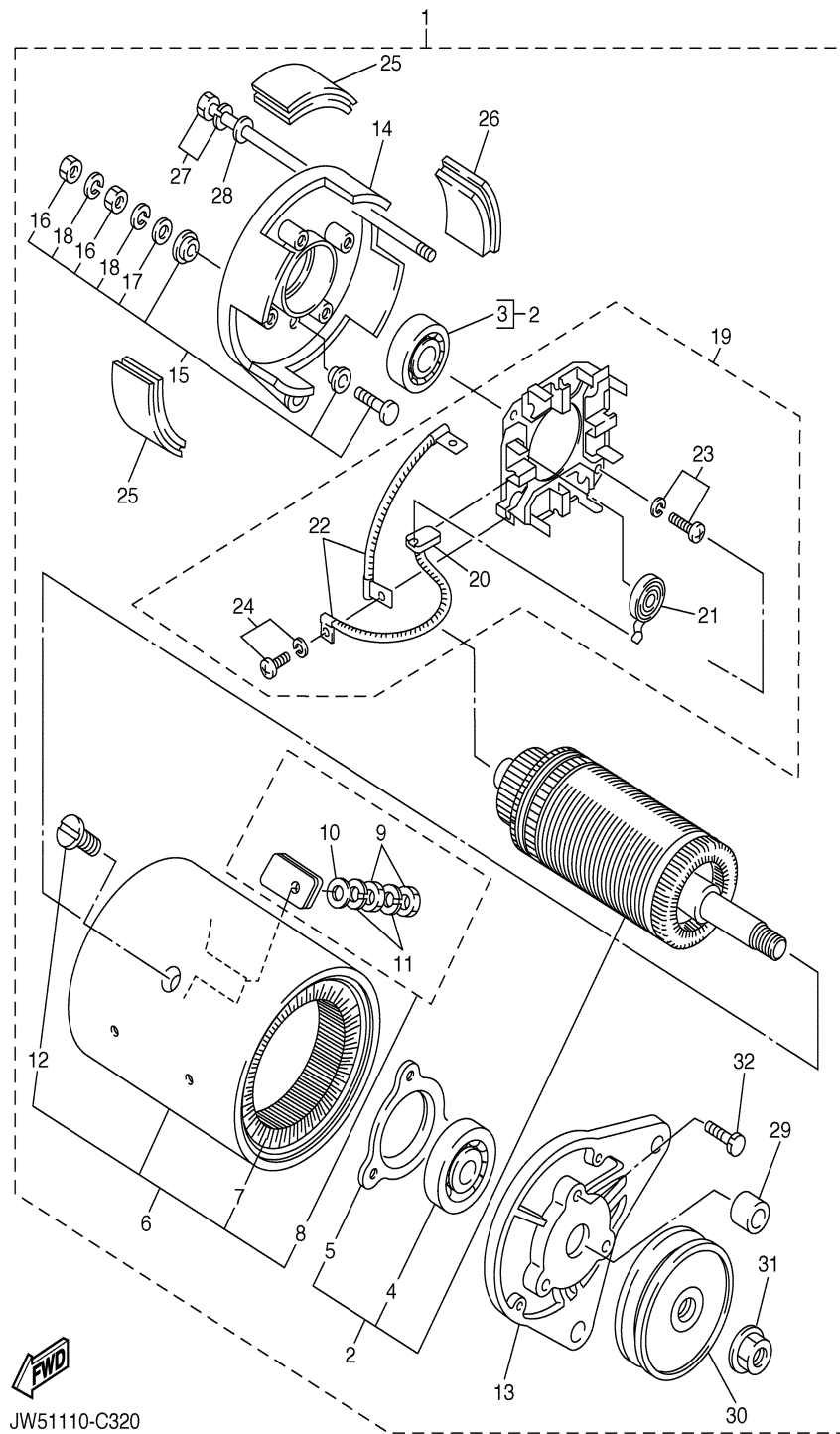
CONTINUED ON NEXT FRAME ►

STARTING MOTOR

Ref. No.	Part Number	Description	Qty	Remarks
30	JN6-H1161-00-00	. PULLEY	1	
31	90179-16889-00	. NUT, FLANGE	1	
32	9850N-05018-00	. SCREW, PAN HEAD	3	

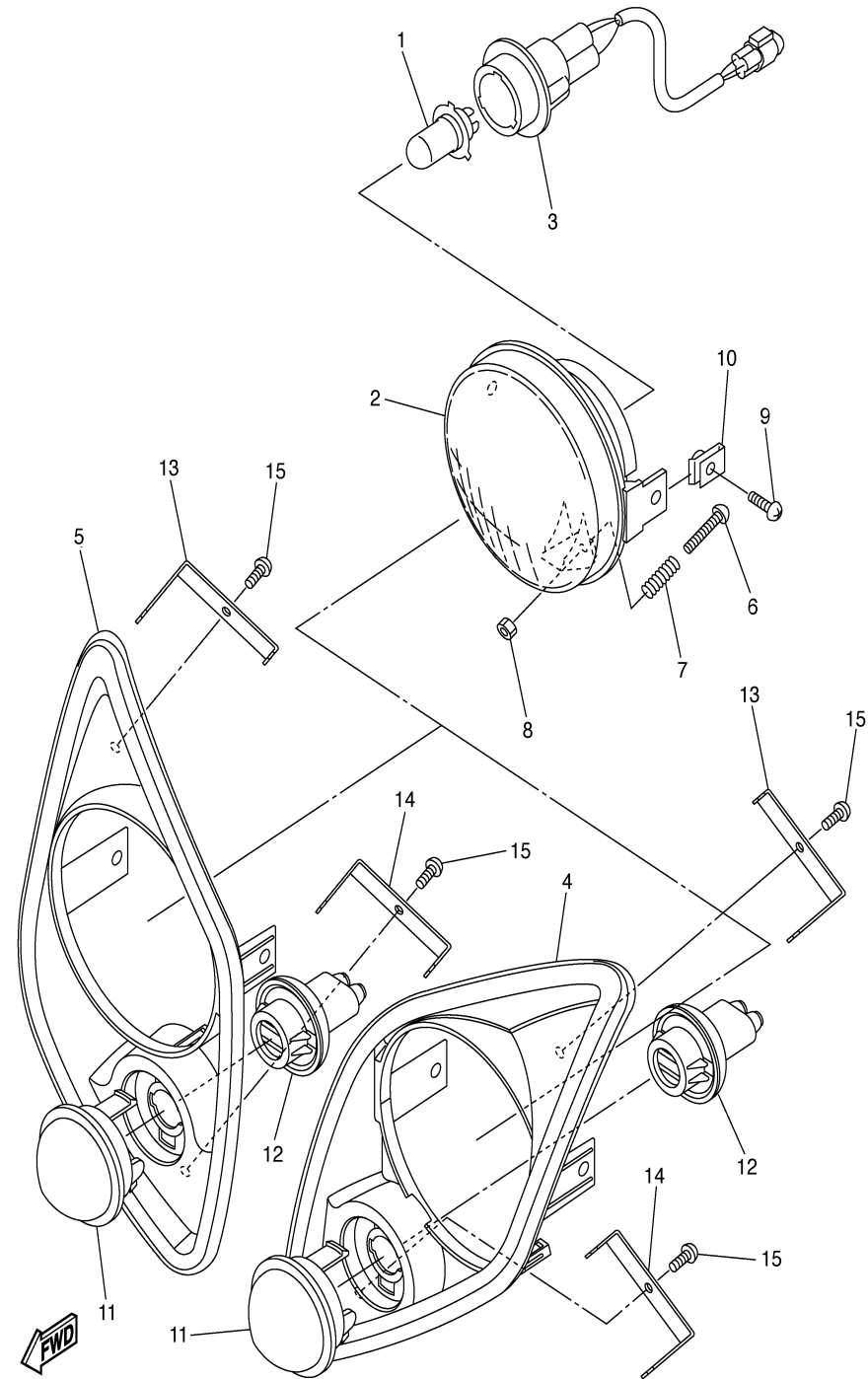
CONTENTS

ACCELERATOR	C1
AIR SHROUD FAN	A8
BODY	C11-12
BODY 2	D1
BODY FITTING	D2
BRAKE	B9-10
BRAKE 2	B11
BRAKE 3	B12
BUMPER	C10
CAMSHAFT VALVE	A7
CARBURETOR	A10
CARRIER JU9-300101~	D5-6
CARRIER ~JU9-300100	D3-4
CRANKCASE	A12
CRANKSHAFT PISTON	A6
CYLINDER HEAD	A5
ELECTRICAL 1 JU9-300101~	E2
ELECTRICAL 1 ~JU9-300100	D11
ELECTRICAL 2	D12 ,E1
ENGINE ASSEMBLY	A4
ENGINE BRACKET	B1
EXHAUST	A11
FRAME	B3
FRONT SUSPENSION WHEEL	B4-5
FUEL TANK	B8
GOVERNOR	C2
HEADLIGHT	D10
INTAKE	A9
PRIMARY SHEAVE	C3
REAR ARM SUSPENSION	B2
REAR AXLE MOUNT WHEEL	C8
SEAT	D7
SECONDARY SHEAVE	C4
SHIFTER CABLES	C9
STARTING MOTOR	D8-9
STEERING	B6-7
TRANSMISSION 1	C5-7
~MODELS IN THIS CATALOG	E3



JW51110-C320

HEADLIGHT



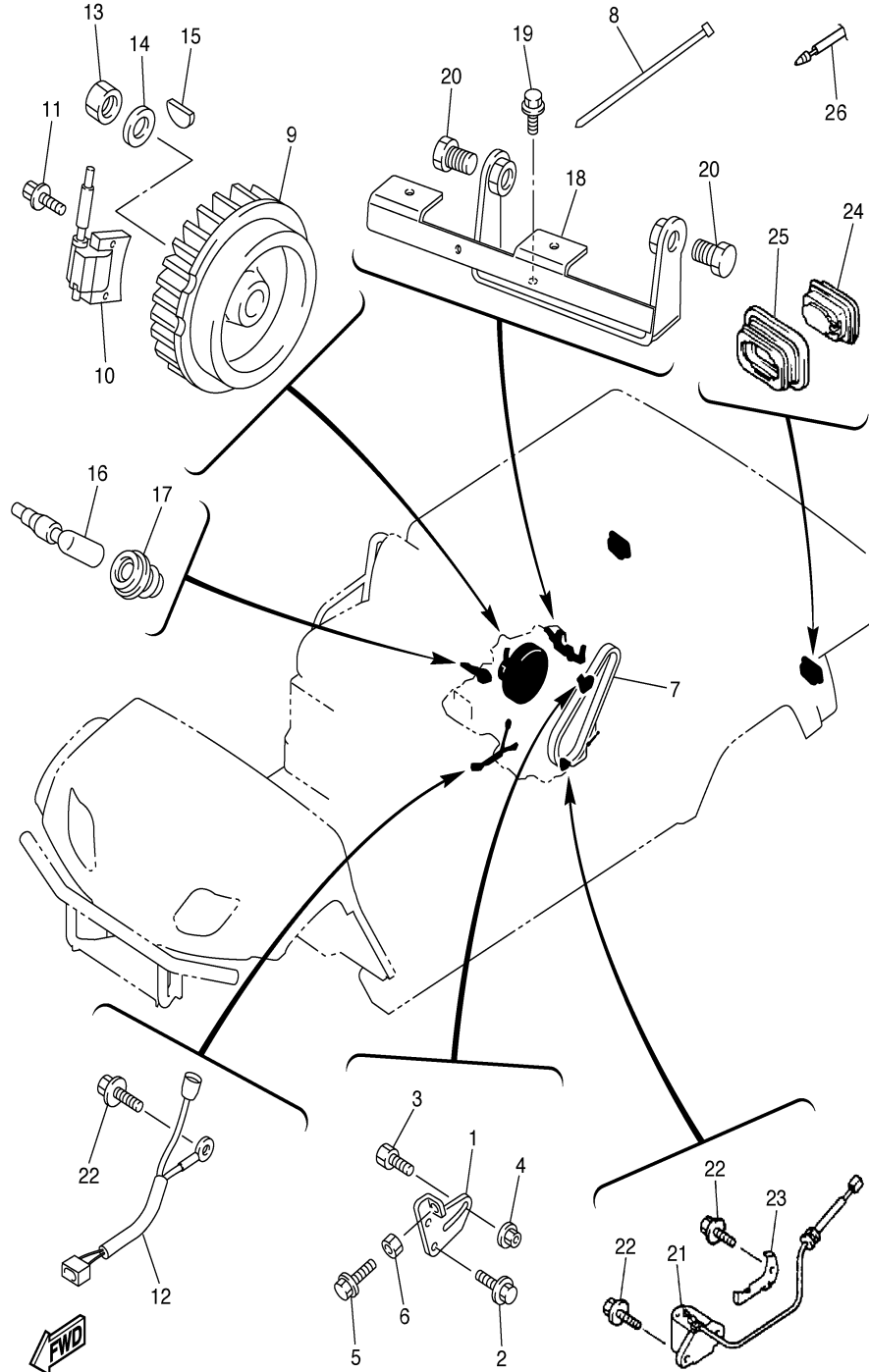
Ref. No.	Part Number	Description	Qty	Remarks
1	5FU-H4314-00-00	BULB, HEADLIGHT (12V-30/30W)	2	
2	5FU-H4320-00-00	LENS ASSY	2	
3	5FU-H4340-00-00	SOCKET CORD ASSY 1	2	
4	JU7-H411T-00-00	HOLDER, 1	1	LH ~JU9-300100
	JU7-H411T-02-00	HOLDER, 1	1	LH JU9-300101~
5	JU7-H411U-00-00	HOLDER, 2	1	RH ~JU9-300100
	JU7-H411U-02-00	HOLDER, 2	1	RH JU9-300101~
6	98507-03540-00	SCREW, PAN HEAD	2	
7	2GU-84332-00-00	SPRING, COMPRESSION	2	JU9-300101~
	90501-10060-00	SPRING, COMPRESSION	2	~JU9-300100
8	2GU-84334-00-00	NUT, ADJUSTING	2	
9	90150-05802-00	SCREW, ROUND HEAD	4	
10	90183-05008-00	NUT, SPRING	4	
11	JU7-H5415-00-00	MARK, SIGNAL LAMP	2	
12	JU7-H3547-00-00	COVER, SOCKET	2	
13	JU7-H4118-01-00	STAY, HEADLIGHT 1	2	
14	JU7-H4119-01-00	STAY, HEADLIGHT 2	2	
15	97707-40112-00	SCREW, TAPPING	4	

CONTENTS

ACCELERATOR	C1
AIR SHROUD FAN	A8
BODY	C11-12
BODY 2	D1
BODY FITTING	D2
BRAKE	B9-10
BRAKE 2	B11
BRAKE 3	B12
BUMPER	C10
CAMSHAFT VALVE	A7
CARBURETOR	A10
CARRIER JU9-300101~	D5-6
CARRIER ~JU9-300100	D3-4
CRANKCASE	A12
CRANKSHAFT PISTON	A6
CYLINDER HEAD	A5
ELECTRICAL 1 JU9-300101~	E2
ELECTRICAL 1 ~JU9-300100	D11
ELECTRICAL 2	D12, E1
ENGINE ASSEMBLY	A4
ENGINE BRACKET	B1
EXHAUST	A11
FRAME	B3
FRONT SUSPENSION WHEEL	B4-5
FUEL TANK	B8
GOVERNOR	C2
HEADLIGHT	D10
INTAKE	A9
PRIMARY SHEAVE	C3
REAR ARM SUSPENSION	B2
REAR AXLE MOUNT WHEEL	C8
SEAT	D7
SECONDARY SHEAVE	C4
SHIFTER CABLES	C9
STARTING MOTOR	D8-9
STEERING	B6-7
TRANSMISSION 1	C5-7
~MODELS IN THIS CATALOG	E3

JU71110-C330

ELECTRICAL 1 ~JU9-300100



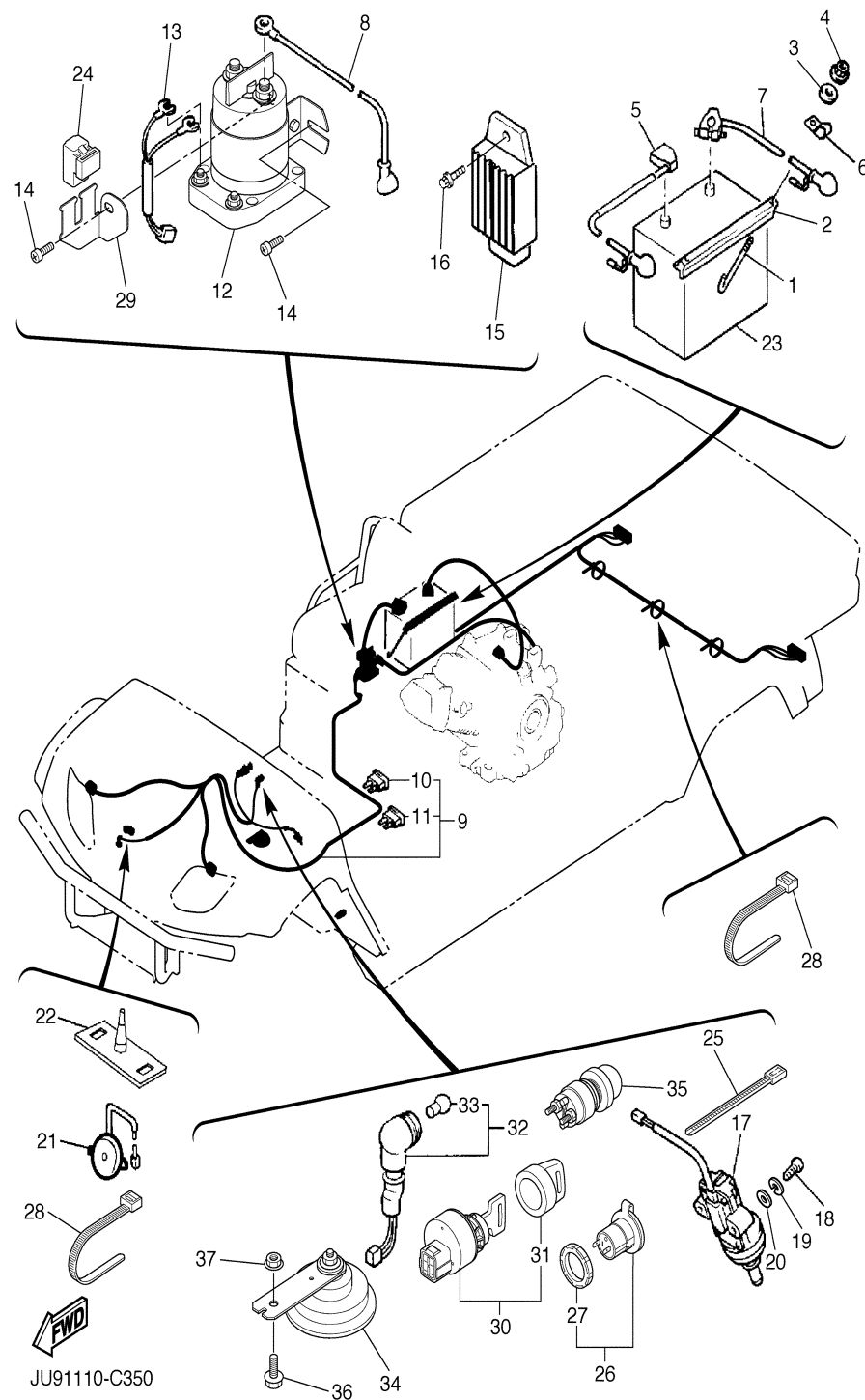
Ref. No.	Part Number	Description	Qty	Remarks
1	JN6-H1170-00-00	TENSIONER ASSEMBLY	1	
2	9582P-08020-00	BOLT, FLANGE	2	
3	90109-08875-00	BOLT	1	
4	95707-08500-00	NUT, FLANGE	1	
5	90101-06478-00	BOLT, HEX.	1	
6	95307-06600-00	NUT	1	
7	JN6-H1173-00-00	BELT	1	
8	90464-09823-00	CLAMP	1	
9	JR7-85650-00-00	ROTOR ASSY	1	
10	JN6-85640-01-00	T.C.I. UNIT ASSY	1	
11	95827-06025-00	BOLT, FLANGE	2	
12	JN6-82318-00-00	WIRE, SUB-LEAD	1	
13	95307-18600-00	NUT, HEX.	1	
14	90201-18620-00	WASHER, PLAIN	1	
15	90280-04052-00	KEY, WOODRUFF	1	
16	JN6-82370-00-00	PLUG CAP ASSY	1	
17	JE8-82372-00-00	SEAL, PLUG CAP	1	
18	JN6-H1171-00-00	BRACKET, STARTER GENERATOR	1	
19	9582P-08020-00	BOLT, FLANGE	2	
20	9581P-12025-00	BOLT, FLANGE	2	
21	JN6-85720-12-00	OIL LEVEL GAUGE	1	
22	95827-06012-00	BOLT, FLANGE	4	
23	JN6-85724-00-00	CLAMP, OIL LEVEL	1	
24	JN3-H4700-00-00	TAILLIGHT ASSY	2	
25	JN3-H4718-00-00	GROMMET	2	
26	JU7-H2521-01-00	WIRE, LEAD (TAILLIGHT)	2	JU9-000302~300100

CONTENTS

ACCELERATOR	C1
AIR SHROUD FAN	A8
BODY	C11-12
BODY 2	D1
BODY FITTING	D2
BRAKE	B9-10
BRAKE 2	B11
BRAKE 3	B12
BUMPER	C10
CAMSHAFT VALVE	A7
CARBURETOR	A10
CARRIER JU9-300101~	D5-6
CARRIER ~JU9-300100	D3-4
CRANKCASE	A12
CRANKSHAFT PISTON	A6
CYLINDER HEAD	A5
ELECTRICAL 1 JU9-300101~	E2
ELECTRICAL 1 ~JU9-300100	D11
ELECTRICAL 2	D12 ,E1
ENGINE ASSEMBLY	A4
ENGINE BRACKET	B1
EXHAUST	A11
FRAME	B3
FRONT SUSPENSION WHEEL	B4-5
FUEL TANK	B8
GOVERNOR	C2
HEADLIGHT	D10
INTAKE	A9
PRIMARY SHEAVE	C3
REAR ARM SUSPENSION	B2
REAR AXLE MOUNT WHEEL	C8
SEAT	D7
SECONDARY SHEAVE	C4
SHIFTER CABLES	C9
STARTING MOTOR	D8-9
STEERING	B6-7
TRANSMISSION 1	C5-7
~MODELS IN THIS CATALOG	E3

JW51110-C340

ELECTRICAL 2



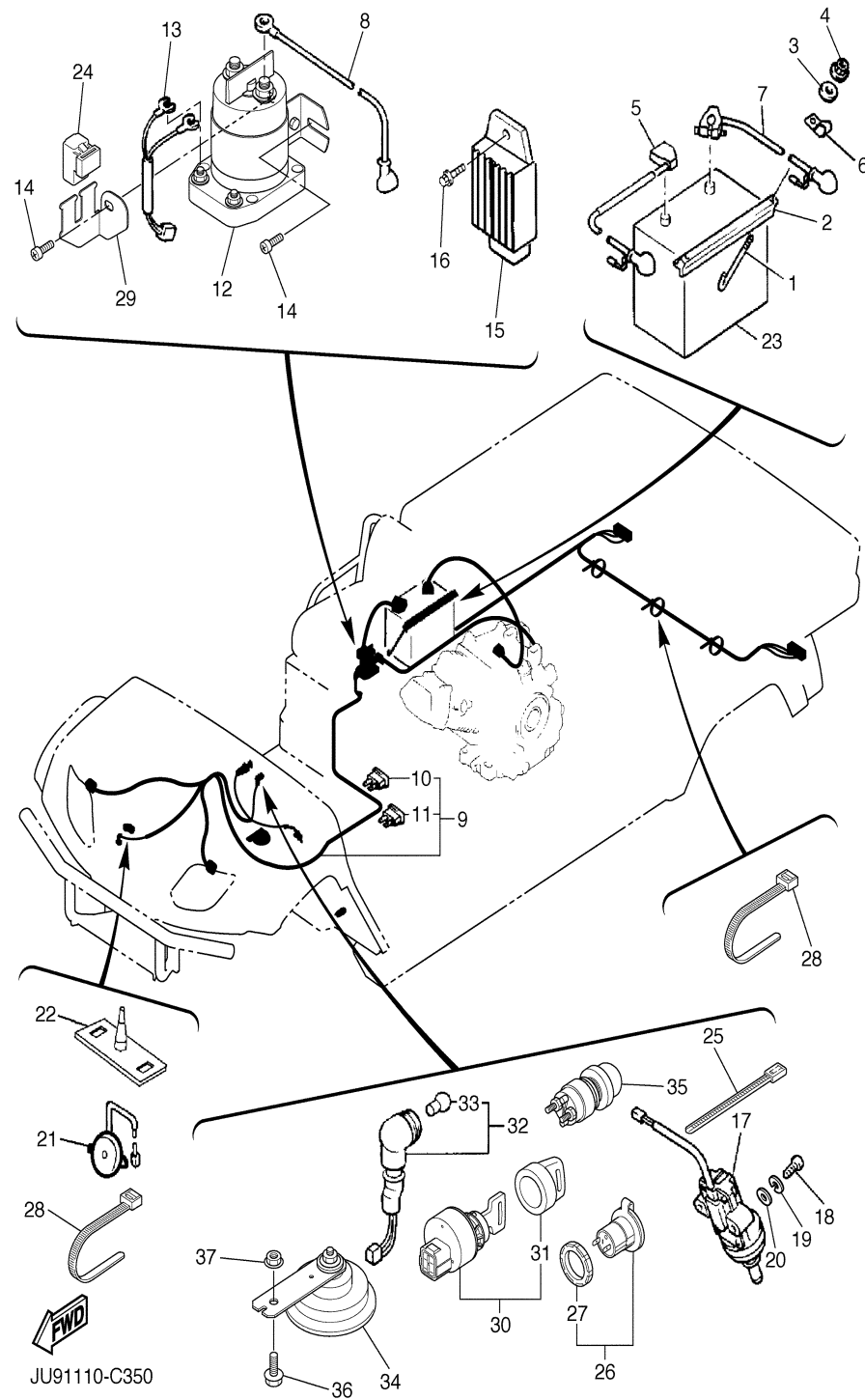
Ref. No.	Part Number	Description	Qty	Remarks
1	JN3-H2133-00-00	SCREW, FITTING	2	
2	J55-H2136-00-00	PLATE, BATTERY	1	
3	9290P-06200-00	WASHER	2	
4	95707-06500-00	NUT, FLANGE	2	
5	JU9-H2115-00-00	WIRE, PLUS LEAD	1	
6	90461-08031-00	CLAMP	2	
7	JR3-H2116-00-00	WIRE, MINUS LEAD	1	
8	JR3-H2117-00-00	WIRE, LEAD	1	
9	JU9-H2590-00-00	WIRE HARNESS ASSY	1	~JU9-000301
	JU9-H2590-01-00	WIRE HARNESS ASSY	1	JU9-000302~
10	JN6-H2151-00-00	. FUSE (10 A)	2	
11	JU7-H2151-00-00	. FUSE (20 A)	1	
12	JR3-H1950-00-00	RELAY ASSY	1	
13	JN6-H2105-00-00	HARNESS, WIRE	1	
14	90163-06005-00	SCREW, HEX. T	2	
15	JF2-81910-01-00	VOLTAGE REGULATOR	1	
16	90105-06876-00	BOLT, FLANGE	1	
17	JF7-82817-20-00	SWITCH, ACCELERATOR STOP	1	
18	98507-05025-00	SCREW, PAN HEAD	2	
19	92907-05100-00	WASHER, LOCK	2	
20	92907-05600-00	WASHER, PLATE	2	
21	JR1-H3383-01-00	BUZZER	1	
22	JN6-H3386-01-00	STAY, BUZZER	1	
23	JG5-H2110-01-00	BATTERY (GRP 24, 12V 400CCA)	1	LM (12 V, BCI GROUP 24, CCA: MIN 400A)
24	4U8-81950-02-00	RELAY ASSY	1	
25	90464-40825-00	CLAMP	5	
26	5FU-H1920-10-00	TERMINAL ASSY	1	
27	5FU-H191B-10-00	. NUT	1	
28	90464-14806-00	CLAMP	5	

CONTENTS

ACCELERATOR	C1
AIR SHROUD FAN	A8
BODY	C11-12
BODY 2	D1
BODY FITTING	D2
BRAKE	B9-10
BRAKE 2	B11
BRAKE 3	B12
BUMPER	C10
CAMSHAFT VALVE	A7
CARBURETOR	A10
CARRIER JU9-300101~	D5-6
CARRIER ~JU9-300100	D3-4
CRANKCASE	A12
CRANKSHAFT PISTON	A6
CYLINDER HEAD	A5
ELECTRICAL 1 JU9-300101~	E2
ELECTRICAL 1 ~JU9-300100	D11
ELECTRICAL 2	D12, E1
ENGINE ASSEMBLY	A4
ENGINE BRACKET	B1
EXHAUST	A11
FRAME	B3
FRONT SUSPENSION WHEEL	B4-5
FUEL TANK	B8
GOVERNOR	C2
HEADLIGHT	D10
INTAKE	A9
PRIMARY SHEAVE	C3
REAR ARM SUSPENSION	B2
REAR AXLE MOUNT WHEEL	C8
SEAT	D7
SECONDARY SHEAVE	C4
SHIFTER CABLES	C9
STARTING MOTOR	D8-9
STEERING	B6-7
TRANSMISSION 1	C5-7
~MODELS IN THIS CATALOG	E3

CONTINUED ON NEXT FRAME ►

ELECTRICAL 2

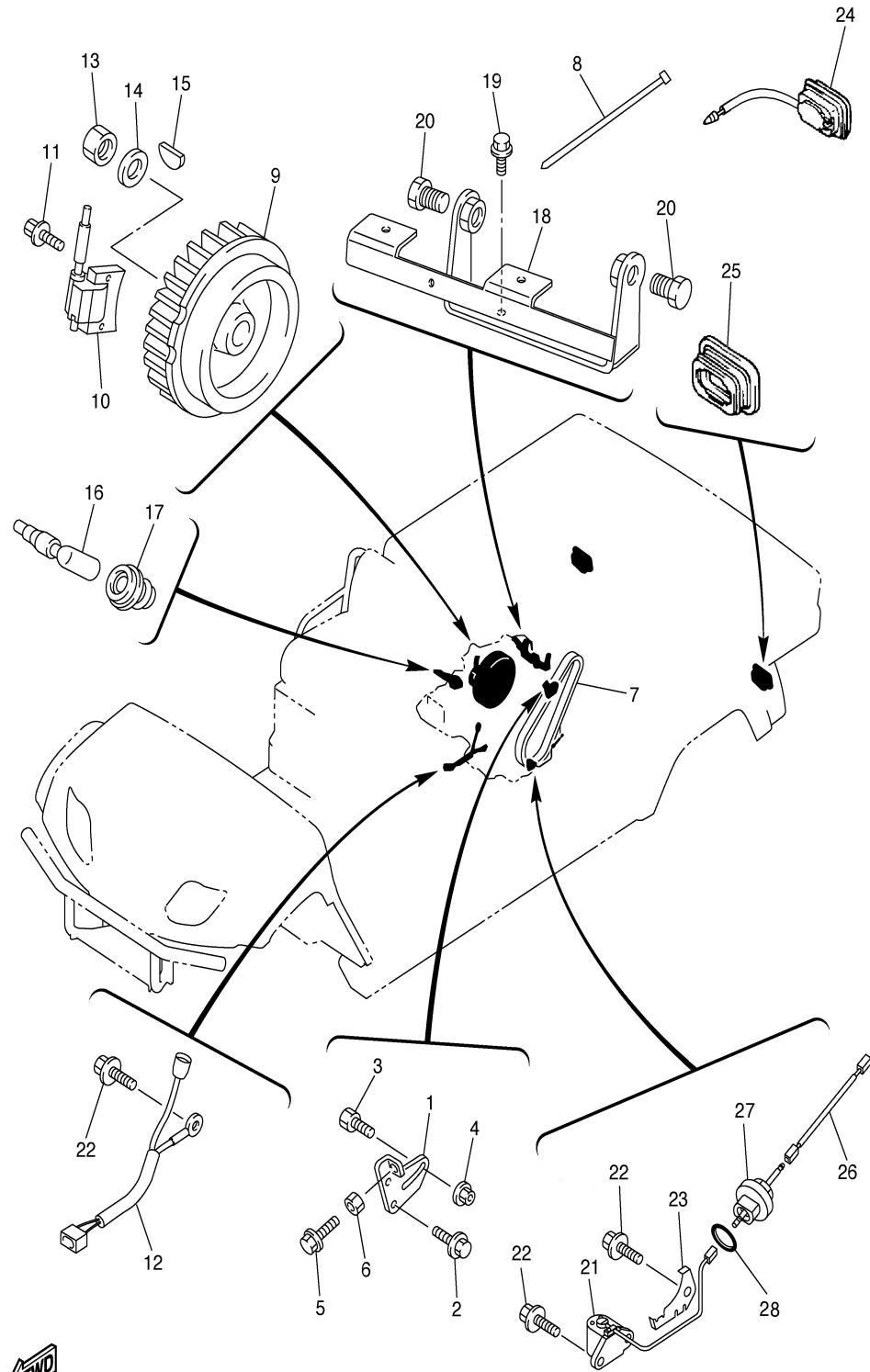


Ref. No.	Part Number	Description	Qty	Remarks
29	JU7-F253B-00-00	STAY, RELAY	1	
30	JU7-H2510-00-00	MAIN SWITCH ASSY	1	~JU9-300100 RANDOM KEY
	JU7-H2510-10-00	MAIN SWITCH ASSY	1	JU9-300101~ COMMON KEY
31	5UG-H2579-00-00	. CAP, KEY	1	
32	JN6-83530-00-00	PILOT LIGHT ASSY	1	
33	123-83516-21-00	. BULB (12V-3.4W)	1	
34	4LR-83371-10-00	HORN	1	
35	JR6-H270X-00-00	SWITCH	1	
36	9582P-06016-00	BOLT, FLANGE	1	
37	95707-06500-00	NUT, FLANGE	1	

CONTENTS

ACCELERATOR	C1
AIR SHROUD FAN	A8
BODY	C11-12
BODY 2	D1
BODY FITTING	D2
BRAKE	B9-10
BRAKE 2	B11
BRAKE 3	B12
BUMPER	C10
CAMSHAFT VALVE	A7
CARBURETOR	A10
CARRIER JU9-300101~	D5-6
CARRIER ~JU9-300100	D3-4
CRANKCASE	A12
CRANKSHAFT PISTON	A6
CYLINDER HEAD	A5
ELECTRICAL 1 JU9-300101~	E2
ELECTRICAL 1 ~JU9-300100	D11
ELECTRICAL 2	D12 ,E1
ENGINE ASSEMBLY	A4
ENGINE BRACKET	B1
EXHAUST	A11
FRAME	B3
FRONT SUSPENSION WHEEL	B4-5
FUEL TANK	B8
GOVERNOR	C2
HEADLIGHT	D10
INTAKE	A9
PRIMARY SHEAVE	C3
REAR ARM SUSPENSION	B2
REAR AXLE MOUNT WHEEL	C8
SEAT	D7
SECONDARY SHEAVE	C4
SHIFTER CABLES	C9
STARTING MOTOR	D8-9
STEERING	B6-7
TRANSMISSION 1	C5-7
~MODELS IN THIS CATALOG	E3

ELECTRICAL 1 JU9-300101~



Ref. No.	Part Number	Description	Qty	Remarks
1	JN6-H1170-00-00	TENSIONER ASSEMBLY	1	
2	9582P-08020-00	BOLT, FLANGE	2	
3	90109-08875-00	BOLT	1	
4	95707-08500-00	NUT, FLANGE	1	
5	90101-06478-00	BOLT, HEX.	1	
6	95307-06600-00	NUT	1	
7	JN6-H1173-00-00	BELT	1	
8	90464-09823-00	CLAMP	1	
9	JR7-85650-00-00	ROTOR ASSY	1	
10	JN6-85640-01-00	T.C.I. UNIT ASSY	1	
11	95827-06025-00	BOLT, FLANGE	2	
12	JN6-82318-00-00	WIRE, SUB-LEAD	1	
13	95307-18600-00	NUT, HEX.	1	
14	90201-18620-00	WASHER, PLAIN	1	
15	90280-04052-00	KEY, WOODRUFF	1	
16	JN6-82370-00-00	PLUG CAP ASSY	1	
17	JE8-82372-00-00	SEAL, PLUG CAP	1	
18	JN6-H1171-00-00	BRACKET, STARTER GENERATOR	1	
19	9582P-08020-00	BOLT, FLANGE	2	
20	9581P-12025-00	BOLT, FLANGE	2	
21	JT0-85720-00-00	OIL LEVEL GAUGE ASSY	1	
22	95827-06012-00	BOLT, FLANGE	4	
23	JT0-85724-00-00	CLAMP	1	
24	JU5-U4700-10-00	TAILLIGHT ASSY	2	
25	JU5-H4718-00-00	GROMMET	2	
26	JT0-8231Y-00-00	WIRE, LEAD	1	
27	JT0-15362-00-00	PLUG, OIL LEVEL	1	
28	93210-15414-00	O-RING	1	

CONTENTS

ACCELERATOR	C1
AIR SHROUD FAN	A8
BODY	C11-12
BODY 2	D1
BODY FITTING	D2
BRAKE	B9-10
BRAKE 2	B11
BRAKE 3	B12
BUMPER	C10
CAMSHAFT VALVE	A7
CARBURETOR	A10
CARRIER JU9-300101~	D5-6
CARRIER ~JU9-300100	D3-4
CRANKCASE	A12
CRANKSHAFT PISTON	A6
CYLINDER HEAD	A5
ELECTRICAL 1 JU9-300101~	E2
ELECTRICAL 1 ~JU9-300100	D11
ELECTRICAL 2	D12, E1
ENGINE ASSEMBLY	A4
ENGINE BRACKET	B1
EXHAUST	A11
FRAME	B3
FRONT SUSPENSION WHEEL	B4-5
FUEL TANK	B8
GOVERNOR	C2
HEADLIGHT	D10
INTAKE	A9
PRIMARY SHEAVE	C3
REAR ARM SUSPENSION	B2
REAR AXLE MOUNT WHEEL	C8
SEAT	D7
SECONDARY SHEAVE	C4
SHIFTER CABLES	C9
STARTING MOTOR	D8-9
STEERING	B6-7
TRANSMISSION 1	C5-7
~MODELS IN THIS CATALOG	E3



JW51110-C340

~MODELS IN THIS CATALOG

2004 G28AZ (JU91) **STARTING SERIAL NO. (G28AZ): JU9-000101 and following**

2005 G28AZ (JU91) **STARTING SERIAL NO. (G28AZ): JU9-000101 and following**

2006 G28AC (JU91) **STARTING SERIAL NO. (G28AC): JU9-300101 and following**

**ALL THESE MODELS USE THIS SAME PARTS CATALOG.
BE SURE TO ORDER ONLY THOSE PARTS APPLICABLE
TO THE DESIRED MODEL.**

Ref. No.	Part Number	Description	Qty	Remarks
----------	-------------	-------------	-----	---------

CONTENTS

ACCELERATOR	C1
AIR SHROUD FAN	A8
BODY	C11-12
BODY 2	D1
BODY FITTING	D2
BRAKE	B9-10
BRAKE 2	B11
BRAKE 3	B12
BUMPER	C10
CAMSHAFT VALVE	A7
CARBURETOR	A10
CARRIER JU9-300101~	D5-6
CARRIER ~JU9-300100	D3-4
CRANKCASE	A12
CRANKSHAFT PISTON	A6
CYLINDER HEAD	A5
ELECTRICAL 1 JU9-300101~	E2
ELECTRICAL 1 ~JU9-300100	D11
ELECTRICAL 2	D12 ,E1
ENGINE ASSEMBLY	A4
ENGINE BRACKET	B1
EXHAUST	A11
FRAME	B3
FRONT SUSPENSION WHEEL	B4-5
FUEL TANK	B8
GOVERNOR	C2
HEADLIGHT	D10
INTAKE	A9
PRIMARY SHEAVE	C3
REAR ARM SUSPENSION	B2
REAR AXLE MOUNT WHEEL	C8
SEAT	D7
SECONDARY SHEAVE	C4
SHIFTER CABLES	C9
STARTING MOTOR	D8-9
STEERING	B6-7
TRANSMISSION 1	C5-7
~MODELS IN THIS CATALOG	E3