

PARTS CATALOGUE GOLF CAR

- 1991 G9AG (JG5)
- 1992 G9AH (JG5)
- 1993 G9AJ (JG5)
- 1993 G9AJ-~~93.5~~ (JG5)
- 1994 G9AK (JG5)
- 1995 G9AM (JG5)

1993 1/2 Model
Year

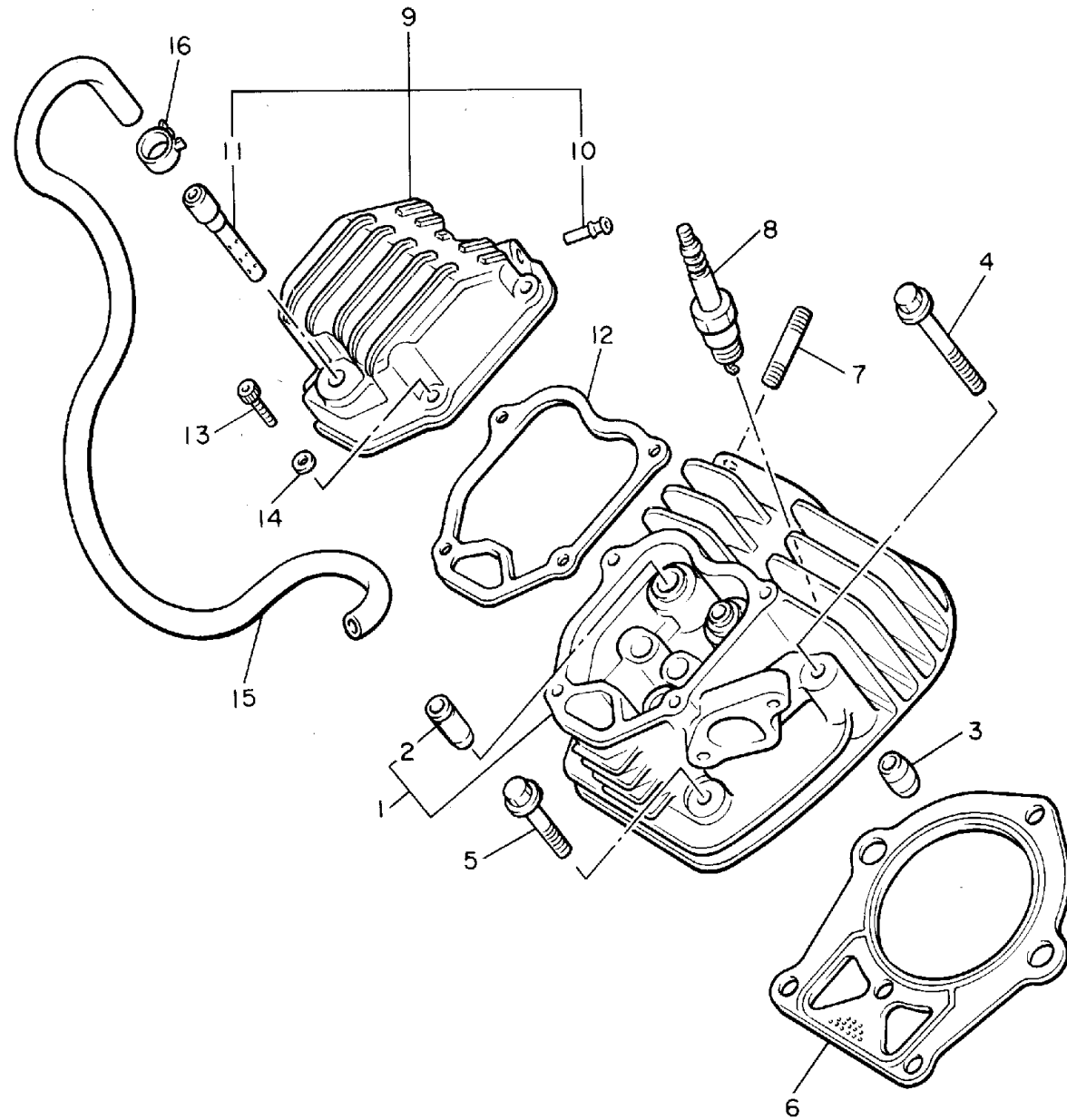
STARTING FRAME: JG5-000101 and following
 STARTING FRAME: JG5-100101 and following
 STARTING FRAME: JG5-200101 and following
 STARTING FRAME: JG5-200101 and following
 STARTING FRAME: JG5-300101 and following
 STARTING FRAME: JG5-400101 and following

OWNERS LIT-19626-00-52
 ASSEMBLY LIT-19666-00-43
 SERVICE LIT-19616-G9-93

CONTENTS

ACCELERATOR	B12
AIR SHROUD FAN	A5
BODY	C9-10
BODY 2	C11-12,D1
BODY FITTING	D2-3
BRAKE	B8-9
BRAKE 2	B10
BRAKE 3	B11
BUMPER	C8
CAMSHAFT VALVE	A4
CARBURETOR	A8
CARRIER	D4-5
CRANKCASE	A10-11
CRANKSHAFT PISTON	A3
CYLINDER	A2
ELECTRICAL 1	D9
ELECTRICAL 2	D10-11
ENGINE BRACKET	A12
EXHAUST	A9
FRAME	B2
FRONT SUSPENSION WHEEL	B3-4
FUEL TANK	B7
GOVERNOR	C1
INTAKE	A6-7
PRIMARY SHEAVE	C2
REAR ARM SUSPENSION	B1
REAR AXLE WHEEL	C7
SEAT	D6
SECONDARY SHEAVE	C3
STARTING MOTOR	D7-8
STEERING	B5-6
TRANSMISSION 1	C4-6
-MODELS IN THIS CATALOG	D12

CYLINDER



Ref. No.	Part Number	Description	Qty	Remarks
1	J38-11102-00-00	CYLINDER HEAD ASSEMBLY . .	1	
2	J38-11133-09-00	. GUIDE, INTAKE VALVE	2	
3	99510-12016-00	PIN, DOWEL	2	
4	95811-08070-00	BOLT, FLANGE	3	
5	95811-08045-00	BOLT, FLANGE (JN5)	3	
6	J38-11181-00-00	GASKET, CYLINDER HEAD 1 . .	1	
7	95612-08618-00	BOLT, STUD	2	
8	NGK-B5ES0-00-00	PLUG, SPARK (NGK B5ES) . . .	1	
9	J38-11191-00-00	COVER, CYLINDER HEAD 1 . . .	1	
10	J38-11116-00-00	. JOINT, BREATHER	2	
11	J38-24461-00-00	. PIPE, JOINT	1	
12	J38-11193-01-00	GASKET, HEAD COVER 1	1	
13	91316-06025-00	BOLT	4	
14	92990-06600-00	WASHER, PLATE	4	
15	90445-130F8-00	HOSE	1	
16	90467-12052-00	CLIP	2	

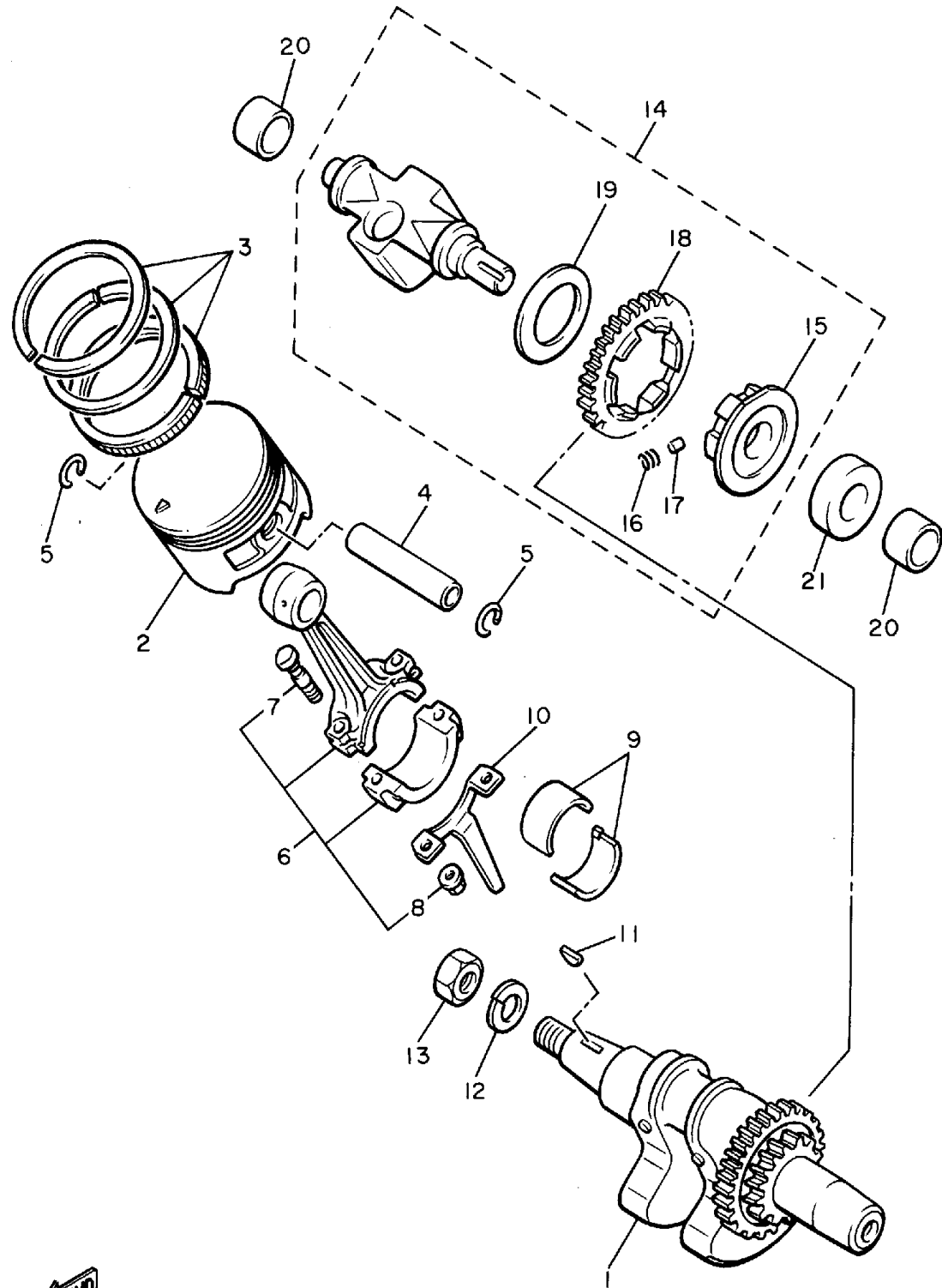
CONTENTS

ACCELERATOR	B12
AIR SHROUD FAN	A5
BODY	C9-10
BODY 2	C11-12,D1
BODY FITTING	D2-3
BRAKE	B8-9
BRAKE 2	B10
BRAKE 3	B11
BUMPER	C8
CAMSHAFT VALVE	A4
CARBURETOR	A8
CARRIER	D4-5
CRANKCASE	A10-11
CRANKSHAFT PISTON	A3
CYLINDER	A2
ELECTRICAL 1	D9
ELECTRICAL 2	D10-11
ENGINE BRACKET	A12
EXHAUST	A9
FRAME	B2
FRONT SUSPENSION WHEEL	B3-4
FUEL TANK	B7
GOVERNOR	C1
INTAKE	A6-7
PRIMARY SHEAVE	C2
REAR ARM SUSPENSION	B1
REAR AXLE WHEEL	C7
SEAT	D6
SECONDARY SHEAVE	C3
STARTING MOTOR	D7-8
STEERING	B5-6
TRANSMISSION 1	C4-6
-MODELS IN THIS CATALOG	D12



J50100-9010

CRANKSHAFT PISTON



Ref. No.	Part Number	Description	Qty	Remarks
1	J38-11400-00-00	CRANKSHAFT ASSEMBLY	1	
2	J38-11631-01-A0	PISTON (STD)	1	STD
	J38-11636-01-00	PISTON (0.50MM O/S)	1	AP
	J38-11635-01-00	PISTON (0.25MM O/S)	1	AP
3	J38-11610-00-00	PISTON RING SET (STD)	1	STD
	J38-11610-10-00	PISTON RING SET (0.25MM O/S)	1	AP
	J38-11610-20-00	PISTON RING SET (0.50MM O/S)	1	AP
4	7A9-11633-00-00	PIN, PISTON	1	
5	93450-19047-00	CIRCLIP	2	
6	J38-11650-00-00	CONNECTING ROD ASSEMBLY	1	
7	J38-11654-00-00	. BOLT, CONNECTING ROD	2	
8	90179-08327-00	. NUT	2	
9	J38-11656-00-00	BEARING, CON-ROD	2	UR BROWN
	J38-11656-10-00	BEARING, CON-ROD	2	UR BLACK
	J38-11656-20-00	BEARING, CON-ROD	2	UR BLUE
10	J38-11657-00-00	SPLASHER, OIL	1	
11	90280-16053-00	KEY, WOODRUFF (90280-05048-00)	1	
12	92901-16100-00	WASHER, SPRING	1	
13	90170-16182-00	. NUT	1	
14	J38-11500-00-00	BALANCER ASSEMBLY	1	
15	J38-11496-00-00	. BOSS, BUFFER	1	
16	90501-21133-00	. SPRING, COMPRESSION	6	
17	93605-10090-00	. PIN, DOWEL	3	
18	J38-11531-00-00	. GEAR, BALANCE WT	1	
19	90201-201G9-00	. WASHER, PLATE	1	
20	90387-155R3-00	COLLAR	2	
21	90387-152M7-00	COLLAR	1	

CONTENTS

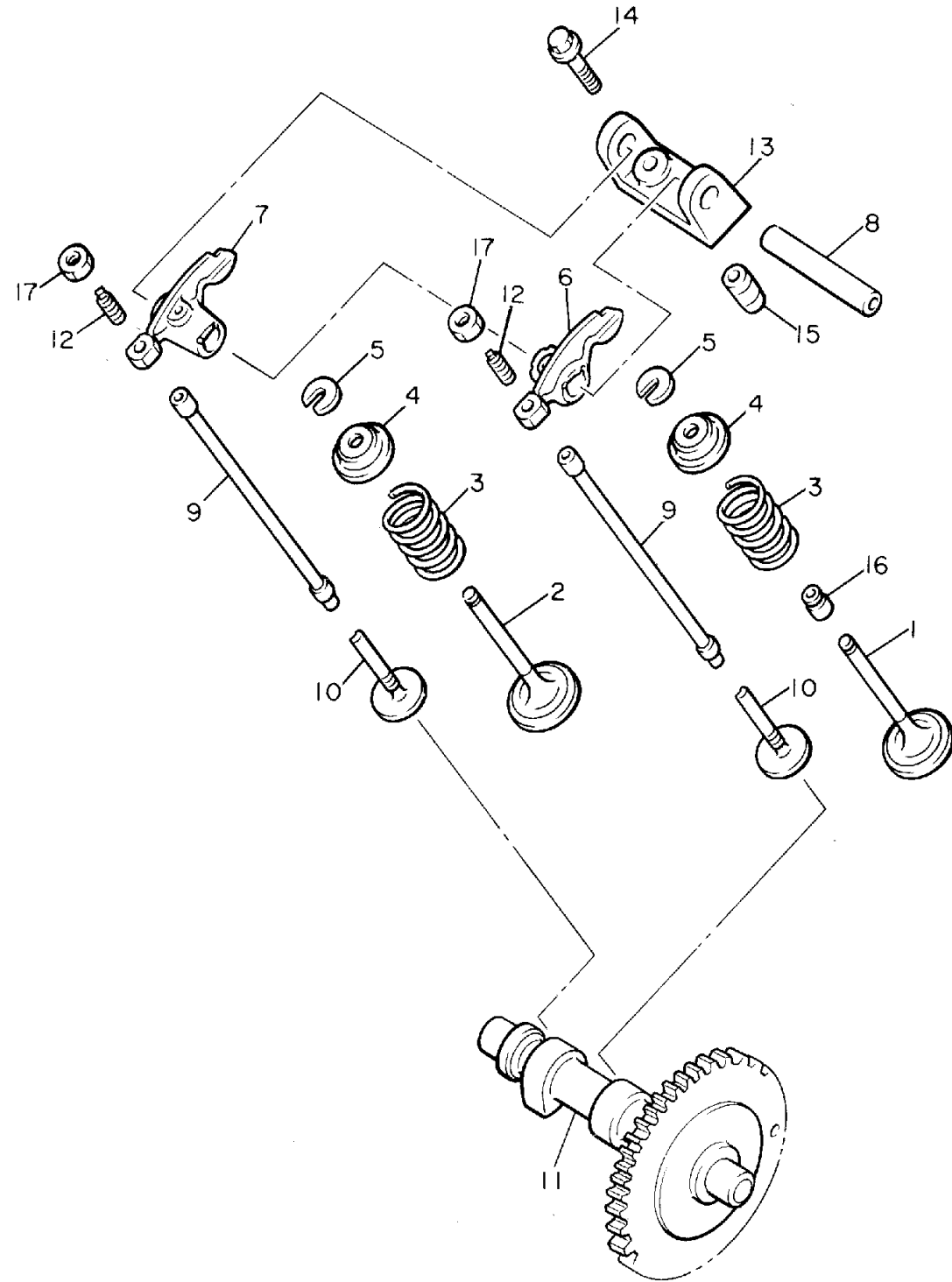
ACCELERATOR	B12
AIR SHROUD FAN	A5
BODY	C9-10
BODY 2	C11-12,D1
BODY FITTING	D2-3
BRAKE	B8-9
BRAKE 2	B10
BRAKE 3	B11
BUMPER	C8
CAMSHAFT VALVE	A4
CARBURETOR	A8
CARRIER	D4-5
CRANKCASE	A10-11
CRANKSHAFT PISTON	A3
CYLINDER	A2
ELECTRICAL 1	D9
ELECTRICAL 2	D10-11
ENGINE BRACKET	A12
EXHAUST	A9
FRAME	B2
FRONT SUSPENSION WHEEL	B3-4
FUEL TANK	B7
GOVERNOR	C1
INTAKE	A6-7
PRIMARY SHEAVE	C2
REAR ARM SUSPENSION	B1
REAR AXLE WHEEL	C7
SEAT	D6
SECONDARY SHEAVE	C3
STARTING MOTOR	D7-8
STEERING	B5-6
TRANSMISSION 1	C4-6
-MODELS IN THIS CATALOG	D12



J38100-7020

G9AG_AH_AJ_AK_AM

CAMSHAFT VALVE



Ref. No.	Part Number	Description	Qty	Remarks
1	J38-12111-01-00	VALVE, INTAKE	1	
2	J38-12121-01-00	VALVE, EXHAUST	1	
3	90501-264A9-00	SPRING, COMPRESSION	2	
4	J38-12117-01-00	RETAINER, VALVE SPRING ..	2	
5	J38-12118-00-00	COTTER, VALVE	2	
6	J38-12151-01-00	ARM, VALVE ROCKER	1	
7	J38-12161-01-00	ARM, VALVE ROCKER 2	1	
8	J38-12156-00-00	SHAFT, ROCKER 2	1	
9	J38-12154-00-00	ROD, VALVE PUSH	2	
10	J38-12153-00-00	LIFTER, VALVE	2	
11	J38-12171-00-00	CAMSHAFT 1	1	
12	J38-12159-00-00	SCREW, VALVE ADJUSTING ..	2	
13	J38-12152-00-00	SUPPORT, ROCKER ARM	1	
14	95811-06030-00	BOLT, FLANGE	2	
15	91810-09014-00	PIN, DOWEL	2	
16	5H0-12119-00-00	SEAL, VALVE STEM	1	
17	90170-06128-00	NUT	2	

CONTENTS

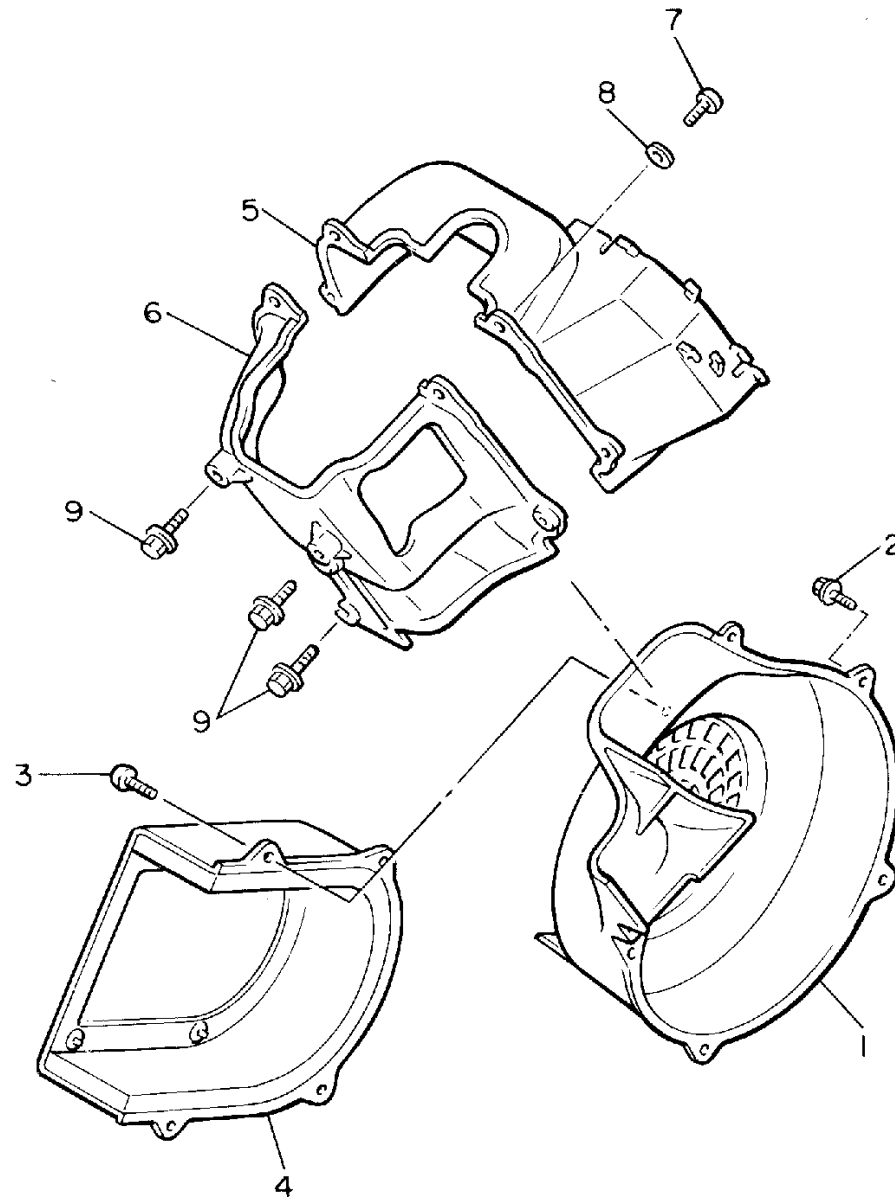
ACCELERATOR	B12
AIR SHROUD FAN	A5
BODY	C9-10
BODY 2	C11-12,D1
BODY FITTING	D2-3
BRAKE	B8-9
BRAKE 2	B10
BRAKE 3	B11
BUMPER	C8
CAMSHAFT VALVE	A4
CARBURETOR	A8
CARRIER	D4-5
CRANKCASE	A10-11
CRANKSHAFT PISTON	A3
CYLINDER	A2
ELECTRICAL 1	D9
ELECTRICAL 2	D10-11
ENGINE BRACKET	A12
EXHAUST	A9
FRAME	B2
FRONT SUSPENSION WHEEL	B3-4
FUEL TANK	B7
GOVERNOR	C1
INTAKE	A6-7
PRIMARY SHEAVE	C2
REAR ARM SUSPENSION	B1
REAR AXLE WHEEL	C7
SEAT	D6
SECONDARY SHEAVE	C3
STARTING MOTOR	D7-8
STEERING	B5-6
TRANSMISSION 1	C4-6
-MODELS IN THIS CATALOG	D12



J38100-8030

G9AG_AH_AJ_AK_AM

AIR SHROUD FAN



Ref. No.	Part Number	Description	Qty	Remarks
1	J38-12621-01-00	CASE, FAN	1	
2	95811-06020-00	BOLT, FLANGE	5	
3	97780-60116-00	SCREW, TAPPING	4	
4	J38-12640-00-00	FAN CASE COVER COMP. ...	1	
5	J38-12651-01-00	AIR SHROUD, CYLINDER 1 ...	1	
6	J38-12652-00-00	AIR SHROUD, CYLINDER 2 ...	1	
7	98503-06014-00	SCREW, PAN HEAD (92502-06016-00)	4	
8	92990-06600-00	WASHER, PLATE	4	
9	90109-06513-00	BOLT	4	

CONTENTS

ACCELERATOR	B12
AIR SHROUD FAN	A5
BODY	C9-10
BODY 2	C11-12,D1
BODY FITTING	D2-3
BRAKE	B8-9
BRAKE 2	B10
BRAKE 3	B11
BUMPER	C8
CAMSHAFT VALVE	A4
CARBURETOR	A8
CARRIER	D4-5
CRANKCASE	A10-11
CRANKSHAFT PISTON	A3
CYLINDER	A2
ELECTRICAL 1	D9
ELECTRICAL 2	D10-11
ENGINE BRACKET	A12
EXHAUST	A9
FRAME	B2
FRONT SUSPENSION WHEEL	B3-4
FUEL TANK	B7
GOVERNOR	C1
INTAKE	A6-7
PRIMARY SHEAVE	C2
REAR ARM SUSPENSION	B1
REAR AXLE WHEEL	C7
SEAT	D6
SECONDARY SHEAVE	C3
STARTING MOTOR	D7-8
STEERING	B5-6
TRANSMISSION 1	C4-6
-MODELS IN THIS CATALOG	D12



J50100-9040

G9AG_AH_AJ_AK_AM

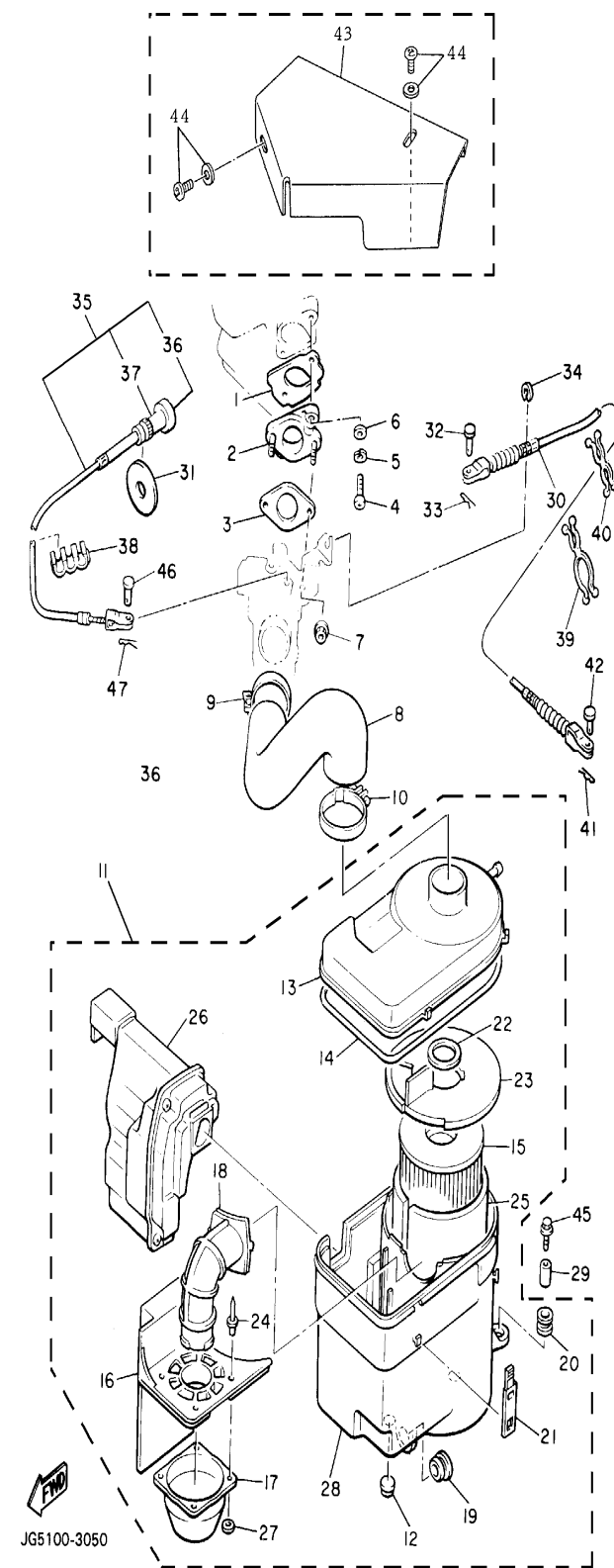
A5

INTAKE

Ref. No.	Part Number	Description	Qty	Remarks
1	J38-13556-01-00	GASKET, MANIFOLD	1	
2	J38-13596-00-00	JOINT, CARBURETOR 2	1	
3	J38-13557-01-00	GASKET	1	
4	98580-06030-00	SCREW, PAN HEAD	2	
5	92995-06100-00	WASHER, SPRING	2	
6	92990-06600-00	WASHER, PLATE	2	
7	95601-06200-00	NUT, U-FLANGE	2	
8	J38-14453-01-00	JOINT, AIR CLEANER 1	1	
9	90460-43053-00	CLAMP, HOSE	1	
10	90460-53239-00	CLAMP, HOSE	1	
11	J38-14410-01-00	CASE, AIR CLEANER 1	1	
12	90480-14100-00	. GROMMET	2	
13	J38-14412-02-00	. CAP, CLEANER CASE 1	1	
14	50M-14462-01-00	. SEAL	1	
15	J38-14450-00-00	. ELEMENT ASSEMBLY, AIR CLEANER	1	
16	J38-14484-00-00	. PLATE, CLEANER CASE FITTING	1	
17	J38-14479-00-00	. FUNNEL	1	
18	J38-14419-00-00	. PIPE	1	
19	90480-18277-00	. GROMMET	1	
20	90480-13238-00	. GROMMET	2	
21	J10-14436-00-00	. HOOK	4	
22	J38-14416-00-00	. GASKET, AIR CLEANER	1	
23	J38-1441F-01-00	. PARTITION, AIR CLEANER CASE	1	
24	90267-40073-00	. RIVET, BLIND	4	
25	J10-14417-00-00	. COVER 1	1	
26	J38-1446A-01-00	. SURGE TANK ASSEMBLY	1	
27	92990-04200-00	. WASHER, PLAIN	4	
28	J38-14411-01-00	. CASE, AIR CLEANER 1	1	

CONTENTS

ACCELERATOR	B12
AIR SHROUD FAN	A5
BODY	C9-10
BODY 2	C11-12,D1
BODY FITTING	D2-3
BRAKE	B8-9
BRAKE 2	B10
BRAKE 3	B11
BUMPER	C8
CAMSHAFT VALVE	A4
CARBURETOR	A8
CARRIER	D4-5
CRANKCASE	A10-11
CRANKSHAFT PISTON	A3
CYLINDER	A2
ELECTRICAL 1	D9
ELECTRICAL 2	D10-11
ENGINE BRACKET	A12
EXHAUST	A9
FRAME	B2
FRONT SUSPENSION WHEEL	B3-4
FUEL TANK	B7
GOVERNOR	C1
INTAKE	A6-7
PRIMARY SHEAVE	C2
REAR ARM SUSPENSION	B1
REAR AXLE WHEEL	C7
SEAT	D6
SECONDARY SHEAVE	C3
STARTING MOTOR	D7-8
STEERING	B5-6
TRANSMISSION 1	C4-6
-MODELS IN THIS CATALOG	D12



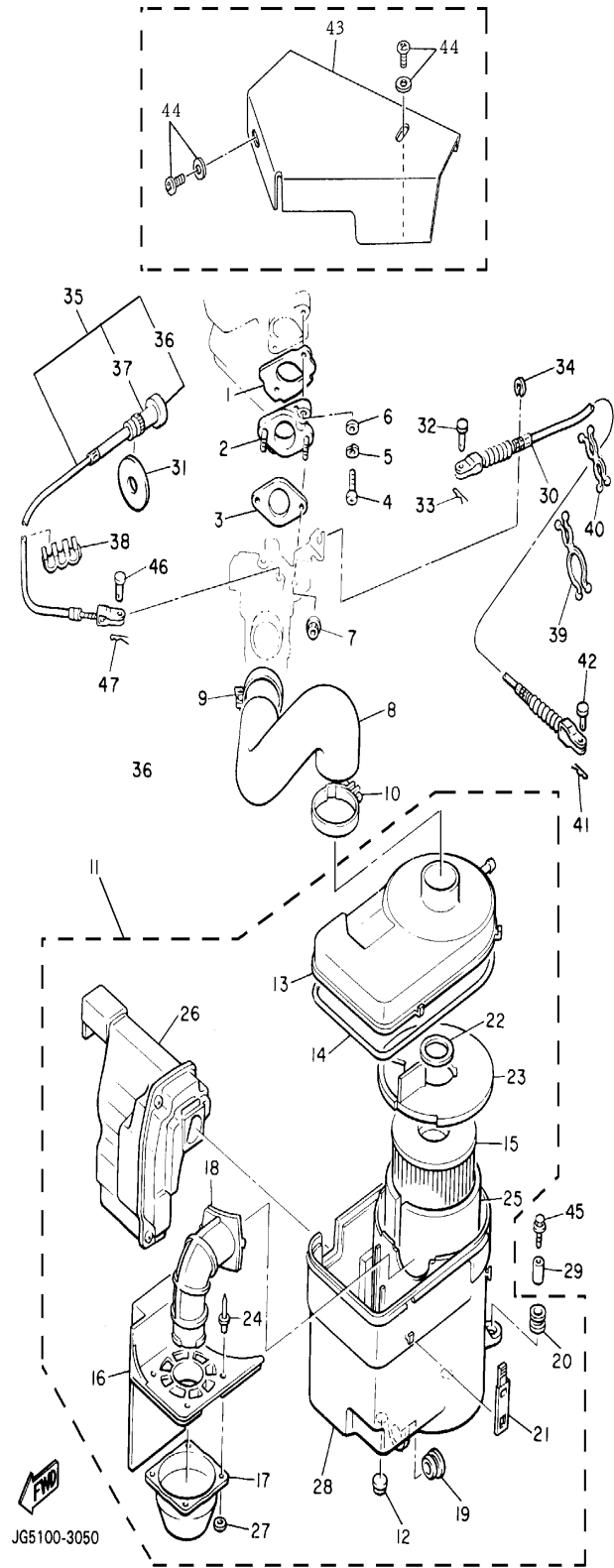
CONTINUED ON NEXT FRAME ➤

INTAKE

Ref. No.	Part Number	Description	Qty	Remarks
29	90387-07390-00	COLLAR	2	
30	J38-26312-00-00	CABLE, THROTTLE 2	1	
31	90201-114E6-00	WASHER, PLATE	1	
32	91701-05010-00	PIN, CLEVIS	1	
33	90468-10050-00	CLIP	1	
34	99080-07600-00	CIRCLIP (E)	1	
35	JF2-F6331-01-00	CABLE, STARTER 1	1	
36	1AE-26325-00-00	. KNOB, CHOKE	1	
37	90149-03132-00	. SCREW, SPECIAL SHAPE ...	1	
38	90468-07179-00	CLIP	1	
39	90464-26114-00	CLAMP	1	
40	90464-16115-00	CLAMP	2	
41	90468-10050-00	CLIP	1	
42	91701-05010-00	PIN, CLEVIS	1	
43	JG5-E4283-00-00	COVER, CARBURETOR 1	1	JG5-300101~
44	90159-05132-00	SCREW, WITH WASHER	1	JG5-300101~
45	90119-06097-00	BOLT, WITH WASHER	2	
46	91701-05010-00	PIN, CLEVIS	1	
47	90468-10050-00	CLIP	1	

CONTENTS

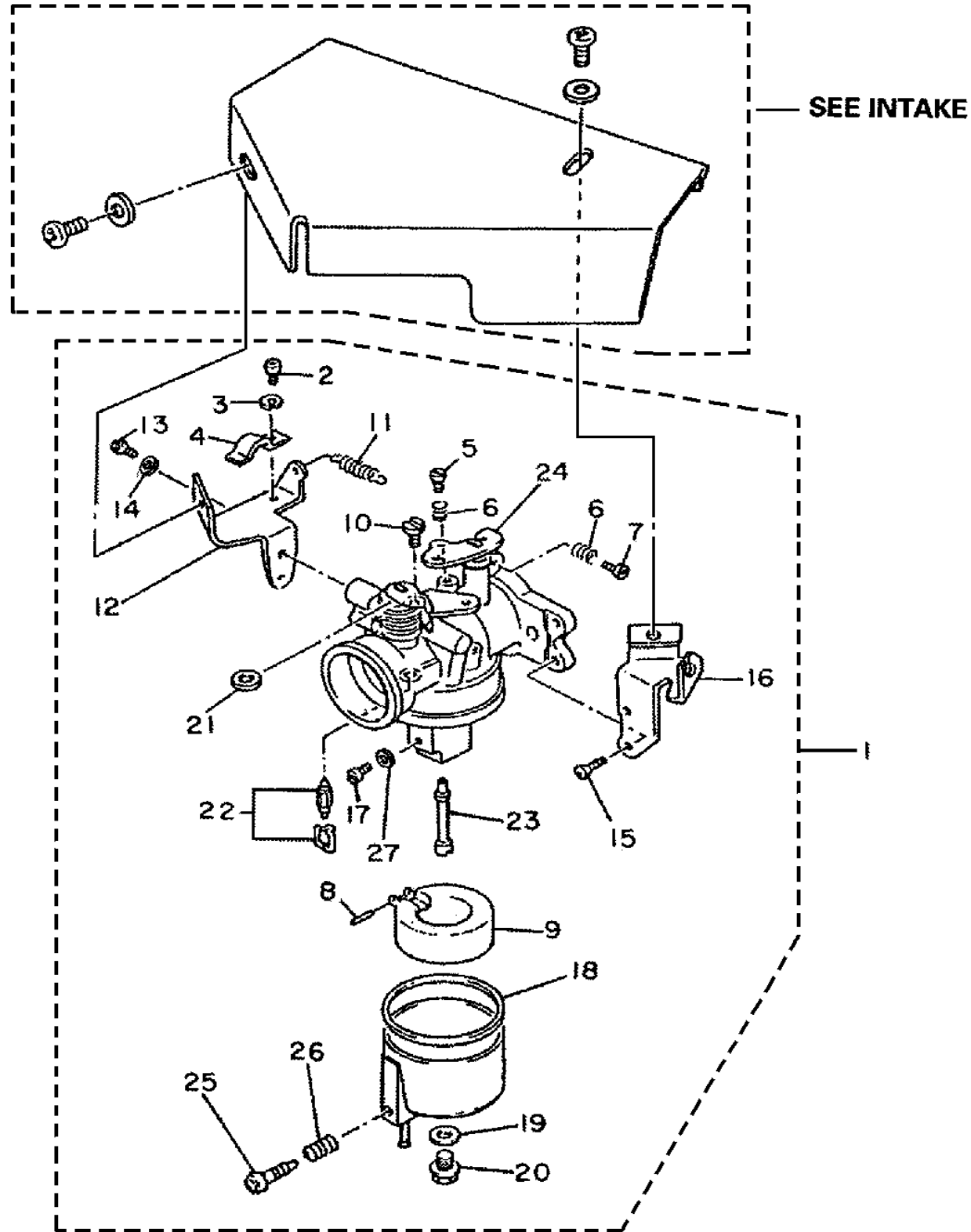
ACCELERATOR	B12
AIR SHROUD FAN	A5
BODY	C9-10
BODY 2	C11-12,D1
BODY FITTING	D2-3
BRAKE	B8-9
BRAKE 2	B10
BRAKE 3	B11
BUMPER	C8
CAMSHAFT VALVE	A4
CARBURETOR	A8
CARRIER	D4-5
CRANKCASE	A10-11
CRANKSHAFT PISTON	A3
CYLINDER	A2
ELECTRICAL 1	D9
ELECTRICAL 2	D10-11
ENGINE BRACKET	A12
EXHAUST	A9
FRAME	B2
FRONT SUSPENSION WHEEL	B3-4
FUEL TANK	B7
GOVERNOR	C1
INTAKE	A6-7
PRIMARY SHEAVE	C2
REAR ARM SUSPENSION	B1
REAR AXLE WHEEL	C7
SEAT	D6
SECONDARY SHEAVE	C3
STARTING MOTOR	D7-8
STEERING	B5-6
TRANSMISSION 1	C4-6
-MODELS IN THIS CATALOG	D12



JG5100-3050

G9AG_AH_AJ_AK_AM

CARBURETOR



Ref. No.	Part Number	Description	Qty	Remarks
1	J38-14101-02-00	CARBURETOR ASSEMBLY 1	1	
2	98580-05010-00	. SCREW, PAN HEAD	1	
3	92990-05100-00	. WASHER, SPRING	1	
4	J38-14243-00-00	. PLATE	1	
5	75G-14211-00-00	. SCREW, PILOT ADJUSTING	1	
6	620-14212-00-00	. SPRING, PILOT ADJUSTING	2	
7	J10-14122-00-00	. SCREW, THROTTLE	1	
8	22F-14186-00-00	. PIN, FLOAT	1	
9	J38-14185-00-00	. FLOAT	1	
10	620-14142-72-00	. JET, PILOT (#72.5)	1	STD
	620-14142-67-00	. JET, PILOT (#67.5)	1	AP FOR HIGH ALT.
11	J38-14133-00-00	. SPRING, THROTTLE STOP	1	
12	JG5-14581-00-00	. BRACKET	1	
13	98580-06010-00	. SCREW, PAN HEAD (92503-06010-00)	1	
14	92995-06100-00	. WASHER, SPRING	1	
15	98701-05008-00	. SCREW, FLAT HEAD	2	
16	JG5-14291-00-00	. BRACKET 1	1	
17	3G2-1423E-41-00	. JET, MAIN (#103.8)	1	AP FOR HIGH ALT.
	3G2-1423E-42-00	. JET, MAIN (#106.3)	1	STD
18	796-14184-00-00	. GASKET, FLOAT CHAMBER	1	
19	127-14198-00-00	. GASKET	1	
20	7R1-14162-00-00	. BOLT, HOLDING	1	
21	J10-14597-00-00	. WASHER	1	
22	J38-14150-00-00	. NEEDLE ASSEMBLY	1	
23	J38-14141-00-00	. NOZZLE, MAIN	1	
24	J38-14202-09-00	. THROTTLE LEVER COMP	1	
25	7E1-14191-00-00	. PLUG, DRAIN	1	
26	73A-14212-00-00	. SPRING	1	
27	JH2-14153-00-00	. WASHER, MAIN JET	1	

CONTENTS

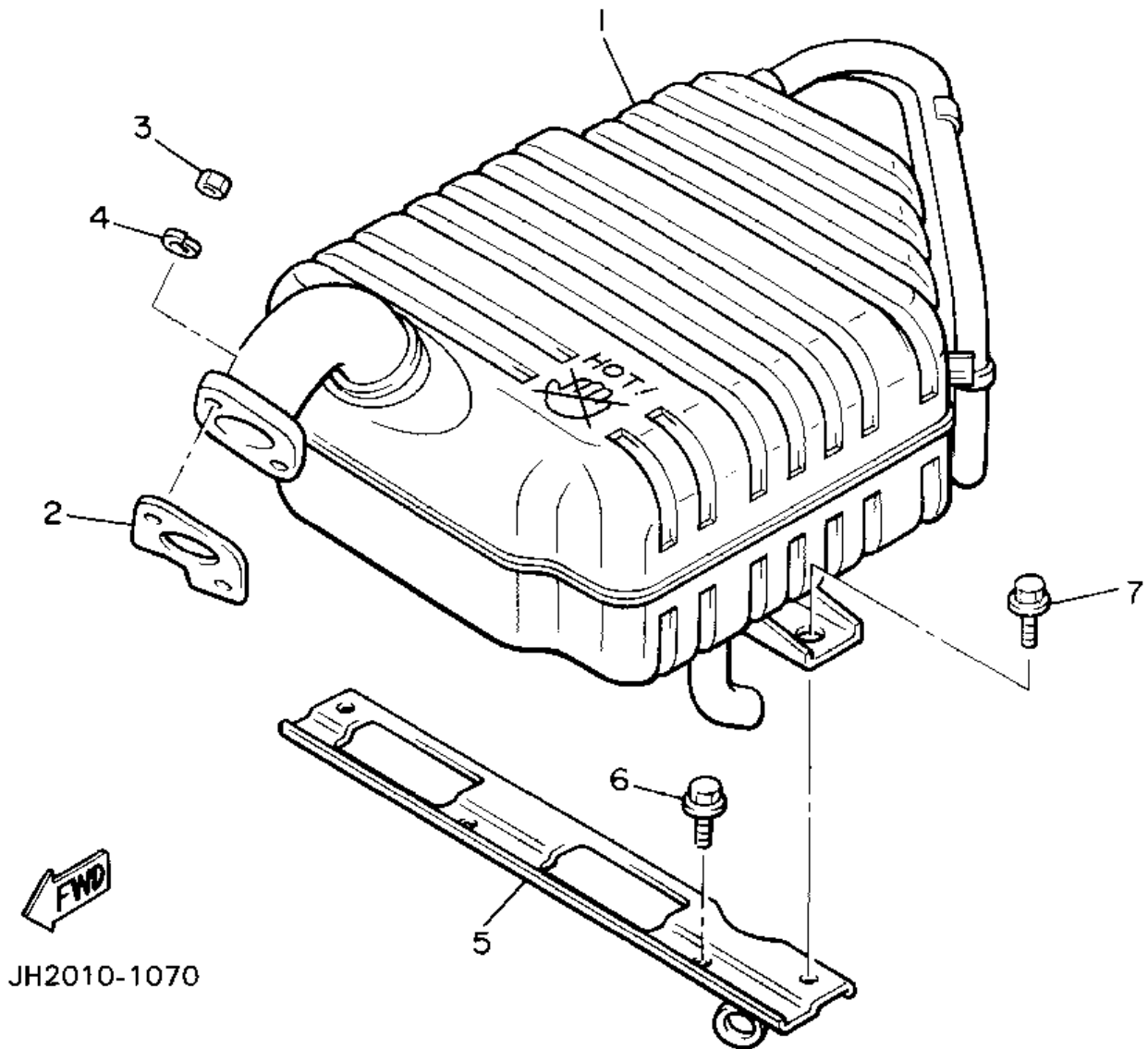
ACCELERATOR	B12
AIR SHROUD FAN	A5
BODY	C9-10
BODY 2	C11-12,D1
BODY FITTING	D2-3
BRAKE	B8-9
BRAKE 2	B10
BRAKE 3	B11
BUMPER	C8
CAMSHAFT VALVE	A4
CARBURETOR	A8
CARRIER	D4-5
CRANKCASE	A10-11
CRANKSHAFT PISTON	A3
CYLINDER	A2
ELECTRICAL 1	D9
ELECTRICAL 2	D10-11
ENGINE BRACKET	A12
EXHAUST	A9
FRAME	B2
FRONT SUSPENSION WHEEL	B3-4
FUEL TANK	B7
GOVERNOR	C1
INTAKE	A6-7
PRIMARY SHEAVE	C2
REAR ARM SUSPENSION	B1
REAR AXLE WHEEL	C7
SEAT	D6
SECONDARY SHEAVE	C3
STARTING MOTOR	D7-8
STEERING	B5-6
TRANSMISSION 1	C4-6
-MODELS IN THIS CATALOG	D12

EXHAUST

Ref. No.	Part Number	Description	Qty	Remarks
1	J55-E4710-01-00	MUFFLER ASSEMBLY 1	1	SEE NOTE A
2	J38-14613-01-00	GASKET, EXHAUST PIPE	1	
3	95380-08600-00	NUT	2	
4	92990-08100-00	WASHER, SPRING	2	
5	J38-14771-00-00	STAY, MUFFLER 1	1	
6	95026-10020-00	BOLT, FLANGE	2	
7	90119-08119-00	BOLT, WITH WASHER	2	

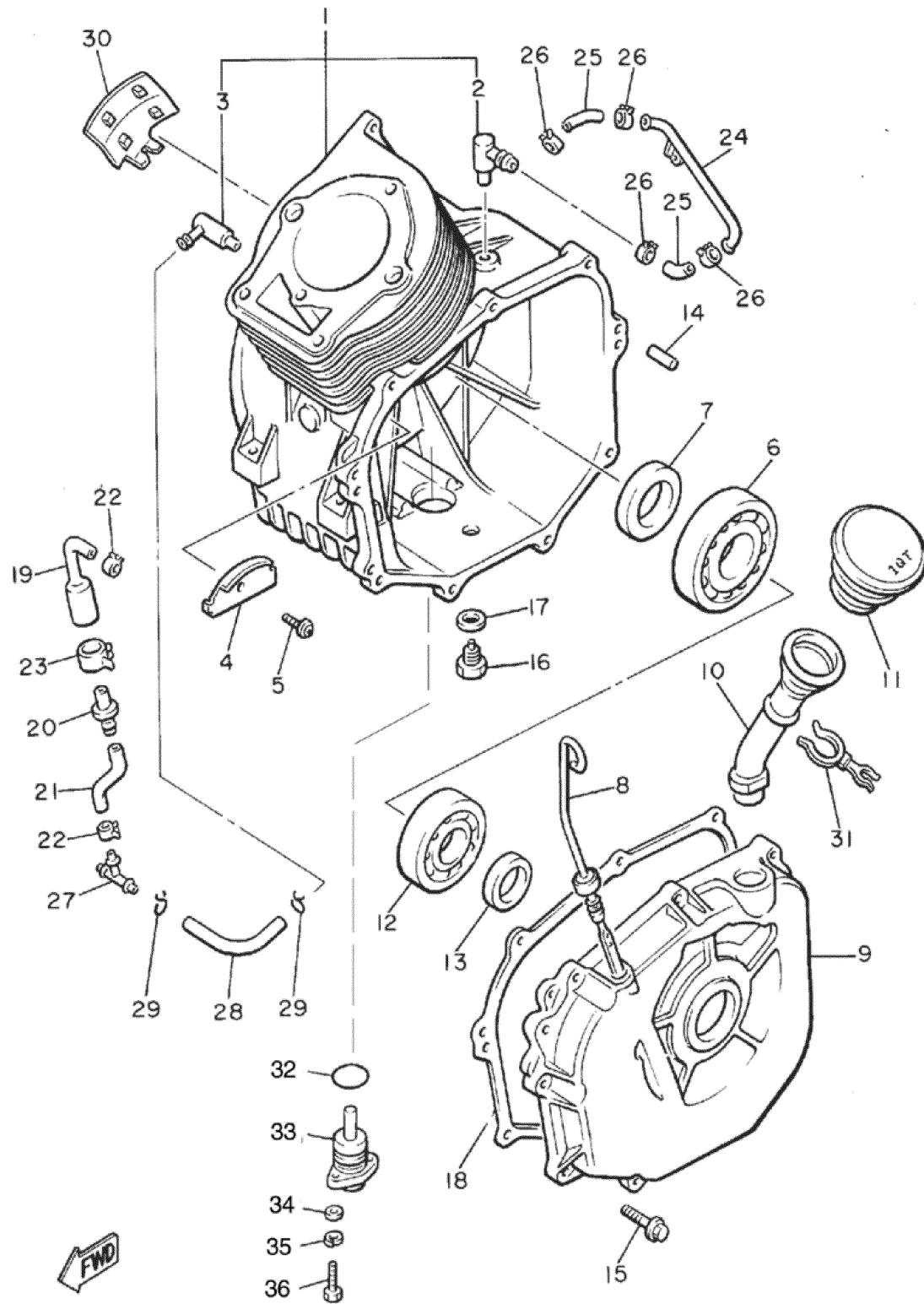
CONTENTS

ACCELERATOR	B12
AIR SHROUD FAN	A5
BODY	C9-10
BODY 2	C11-12,D1
BODY FITTING	D2-3
BRAKE	B8-9
BRAKE 2	B10
BRAKE 3	B11
BUMPER	C8
CAMSHAFT VALVE	A4
CARBURETOR	A8
CARRIER	D4-5
CRANKCASE	A10-11
CRANKSHAFT PISTON	A3
CYLINDER	A2
ELECTRICAL 1	D9
ELECTRICAL 2	D10-11
ENGINE BRACKET	A12
EXHAUST	A9
FRAME	B2
FRONT SUSPENSION WHEEL	B3-4
FUEL TANK	B7
GOVERNOR	C1
INTAKE	A6-7
PRIMARY SHEAVE	C2
REAR ARM SUSPENSION	B1
REAR AXLE WHEEL	C7
SEAT	D6
SECONDARY SHEAVE	C3
STARTING MOTOR	D7-8
STEERING	B5-6
TRANSMISSION 1	C4-6
-MODELS IN THIS CATALOG	D12



NOTE A: The J55-E4701-00 replacement Muffler Assy, has a “can” shape, instead of the “flat” shape as shown above. The J55 Muffler Assy includes mounting instructions that must be followed to prevent muffler failure.

CRANKCASE



J38100-7080

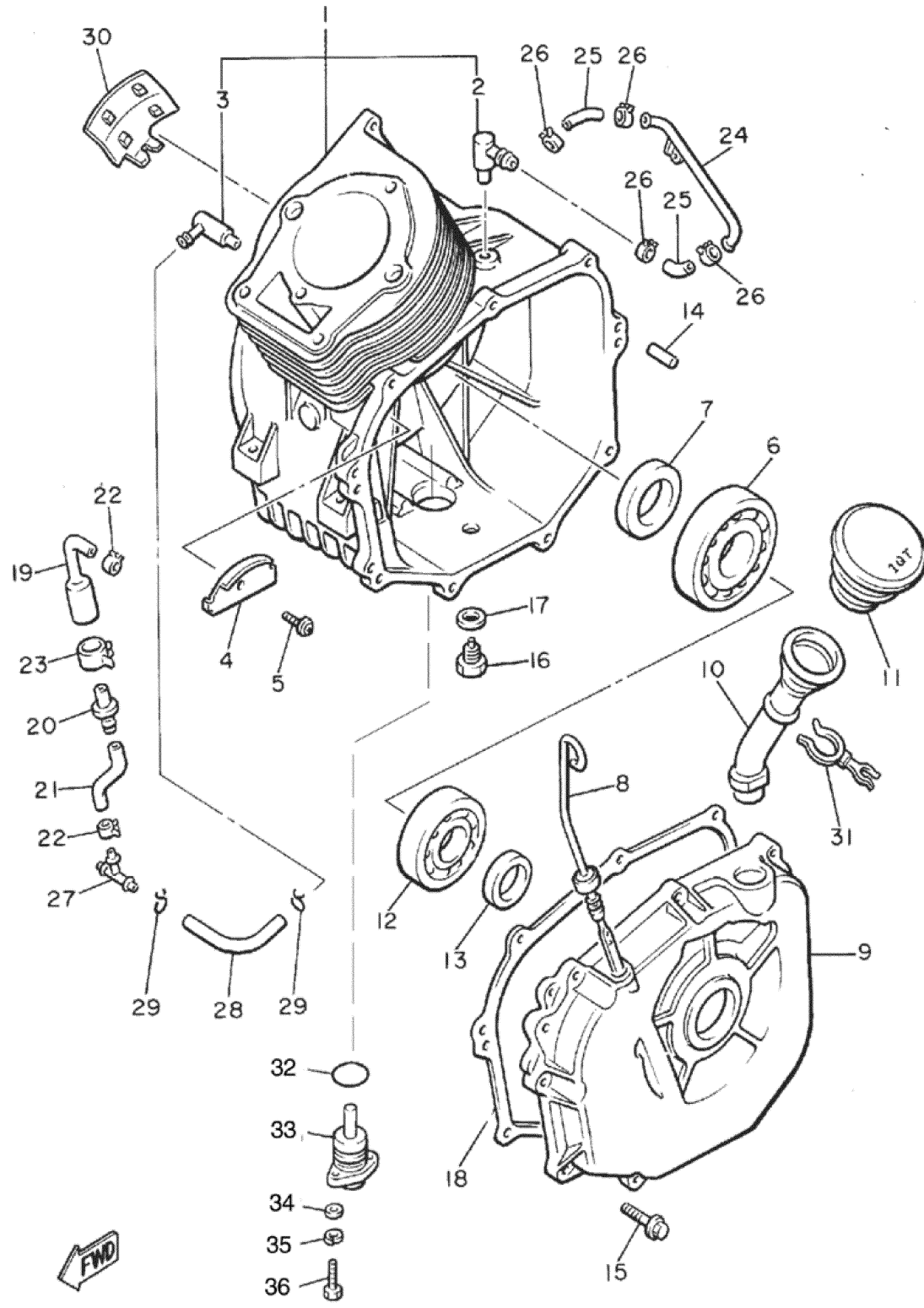
Ref. No.	Part Number	Description	Qty	Remarks
1	J38-15100-02-00	CRANKCASE ASSEMBLY	1	
2	J38-15148-00-00	. NOZZLE 2	1	
3	J38-15155-00-00	. NOZZLE 3	1	
4	J38-15123-00-00	PLATE, BUFFLE 1	1	
5	90159-05117-00	SCREW, WITH WASHER	1	
6	93306-30709-00	BEARING	1	
7	93102-35191-00	OIL SEAL	1	
8	J38-15361-00-00	GAUGE, LEVEL	1	
9	J38-15411-01-00	COVER, CRANKCASE 1	1	
10	J38-15112-00-00	PIPE, OIL	1	
11	J38-15363-00-00	PLUG, OIL	1	
12	93306-30630-00	BEARING	1	
13	93102-30195-00	OIL SEAL	1	
14	93608-12063-00	PIN, DOWEL	2	
15	95811-08035-00	BOLT, FLANGE (95821-08035-00)	9	
16	97001-12020-00	BOLT	1	
17	812-11198-00-00	GASKET	1	
18	J38-15451-01-00	GASKET	1	
19	J38-14388-00-00	VALVE, VACUUM CONTROL	1	
20	J38-13115-00-00	CONNECTOR, SUCTION PIPE	1	
21	90445-113E4-00	HOSE	1	
22	90467-10008-00	CLIP	2	
23	90468-08104-00	CLIP	1	
24	J38-13161-00-00	PIPE, DELIVERY 1	1	
25	90445-110E6-00	HOSE	2	
26	90467-10008-00	CLIP	4	
27	807-24376-00-00	PIPE, JOINT 1	1	
28	90445-09073-00	HOSE	1	
29	90467-08017-00	CLIP	2	

CONTINUED ON NEXT FRAME >

CONTENTS

ACCELERATOR	B12
AIR SHROUD FAN	A5
BODY	C9-10
BODY 2	C11-12,D1
BODY FITTING	D2-3
BRAKE	B8-9
BRAKE 2	B10
BRAKE 3	B11
BUMPER	C8
CAMSHAFT VALVE	A4
CARBURETOR	A8
CARRIER	D4-5
CRANKCASE	A10-11
CRANKSHAFT PISTON	A3
CYLINDER	A2
ELECTRICAL 1	D9
ELECTRICAL 2	D10-11
ENGINE BRACKET	A12
EXHAUST	A9
FRAME	B2
FRONT SUSPENSION WHEEL	B3-4
FUEL TANK	B7
GOVERNOR	C1
INTAKE	A6-7
PRIMARY SHEAVE	C2
REAR ARM SUSPENSION	B1
REAR AXLE WHEEL	C7
SEAT	D6
SECONDARY SHEAVE	C3
STARTING MOTOR	D7-8
STEERING	B5-6
TRANSMISSION 1	C4-6
-MODELS IN THIS CATALOG	D12

CRANKCASE



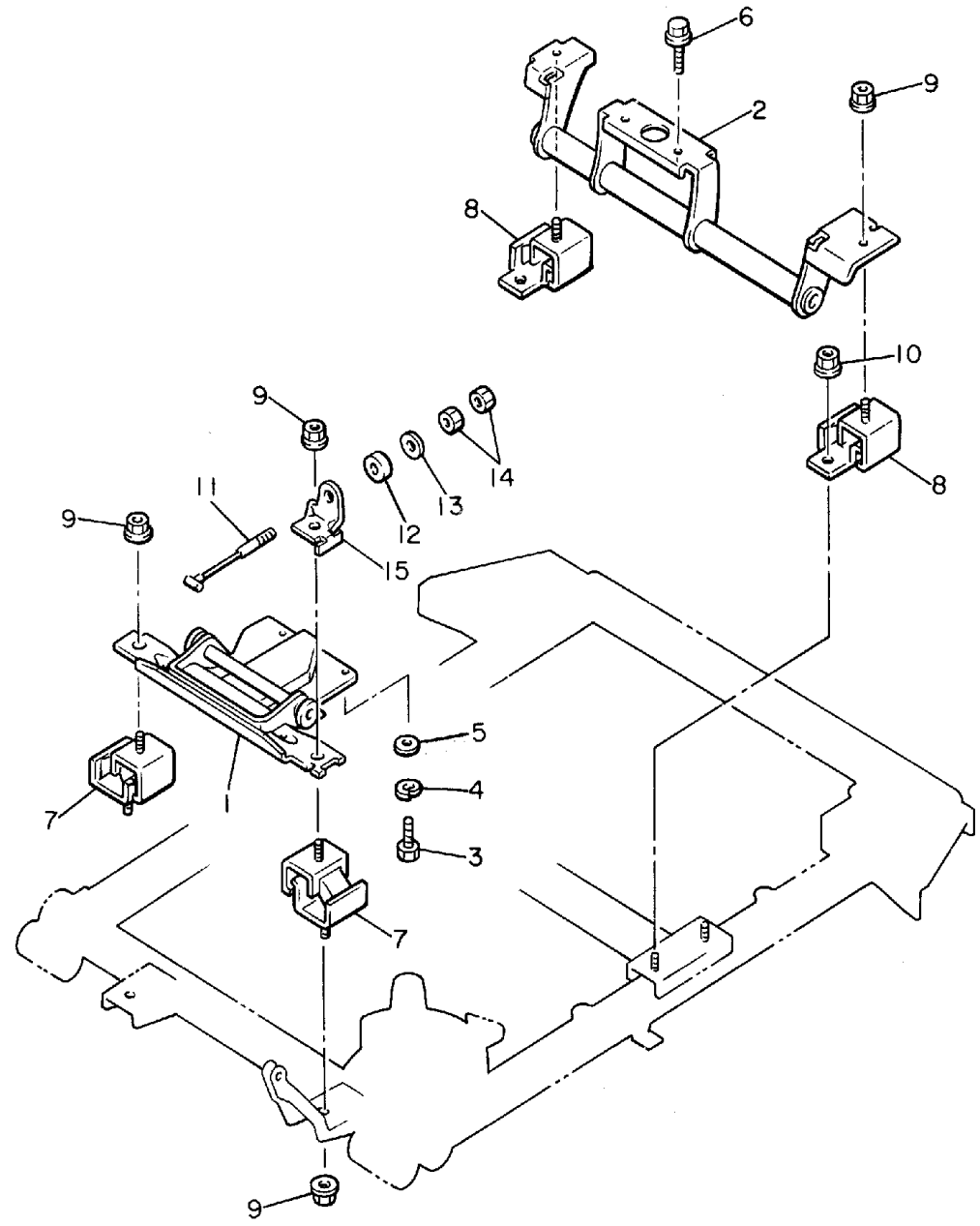
J38100-7080

Ref. No.	Part Number	Description	Qty	Remarks
30	J38-11355-00-00	SEAL, CYLINDER 1	1	
31	90464-15093-00	CLAMP	1	
32	93210-24235-00	O-RING	1	
33	JG5-15385-01-00	PLUG, BLIND	1	
34	92990-06600-00	WASHER, PLATE	2	
35	92995-06100-00	WASHER, SPRING	2	
36	97011-06020-00	BOLT	2	

CONTENTS

ACCELERATOR	B12
AIR SHROUD FAN	A5
BODY	C9-10
BODY 2	C11-12,D1
BODY FITTING	D2-3
BRAKE	B8-9
BRAKE 2	B10
BRAKE 3	B11
BUMPER	C8
CAMSHAFT VALVE	A4
CARBURETOR	A8
CARRIER	D4-5
CRANKCASE	A10-11
CRANKSHAFT PISTON	A3
CYLINDER	A2
ELECTRICAL 1	D9
ELECTRICAL 2	D10-11
ENGINE BRACKET	A12
EXHAUST	A9
FRAME	B2
FRONT SUSPENSION WHEEL	B3-4
FUEL TANK	B7
GOVERNOR	C1
INTAKE	A6-7
PRIMARY SHEAVE	C2
REAR ARM SUSPENSION	B1
REAR AXLE WHEEL	C7
SEAT	D6
SECONDARY SHEAVE	C3
STARTING MOTOR	D7-8
STEERING	B5-6
TRANSMISSION 1	C4-6
-MODELS IN THIS CATALOG	D12

ENGINE BRACKET



Ref. No.	Part Number	Description	Qty	Remarks
1	J38-21411-02-00	BRACKET, ENGINE 1	1	
2	J55-F1419-00-00	BRACKET, ENGINE 2	1	
3	97011-10025-00	BOLT	2	
4	92901-10100-00	WASHER, SPRING	2	
5	92990-10600-00	WASHER, PLATE	2	
6	95021-10040-00	BOLT, FLANGE	2	
7	J38-21486-00-00	DAMPER 2	2	
8	J38-21488-00-00	DAMPER	2	
9	95701-10500-00	NUT, FLANGE (95702-10500-00)	6	
10	95701-08500-00	NUT, FLANGE (95702-08500-00)	4	
11	J31-2217J-01-00	TENSIONER 1	1	
12	J17-2214F-00-00	DAMPER 1	1	
13	90201-06778-00	WASHER, PLATE	1	
14	95380-06600-00	NUT, HEXAGON	2	
15	J38-2141A-00-00	BRACKET 1	1	

CONTENTS

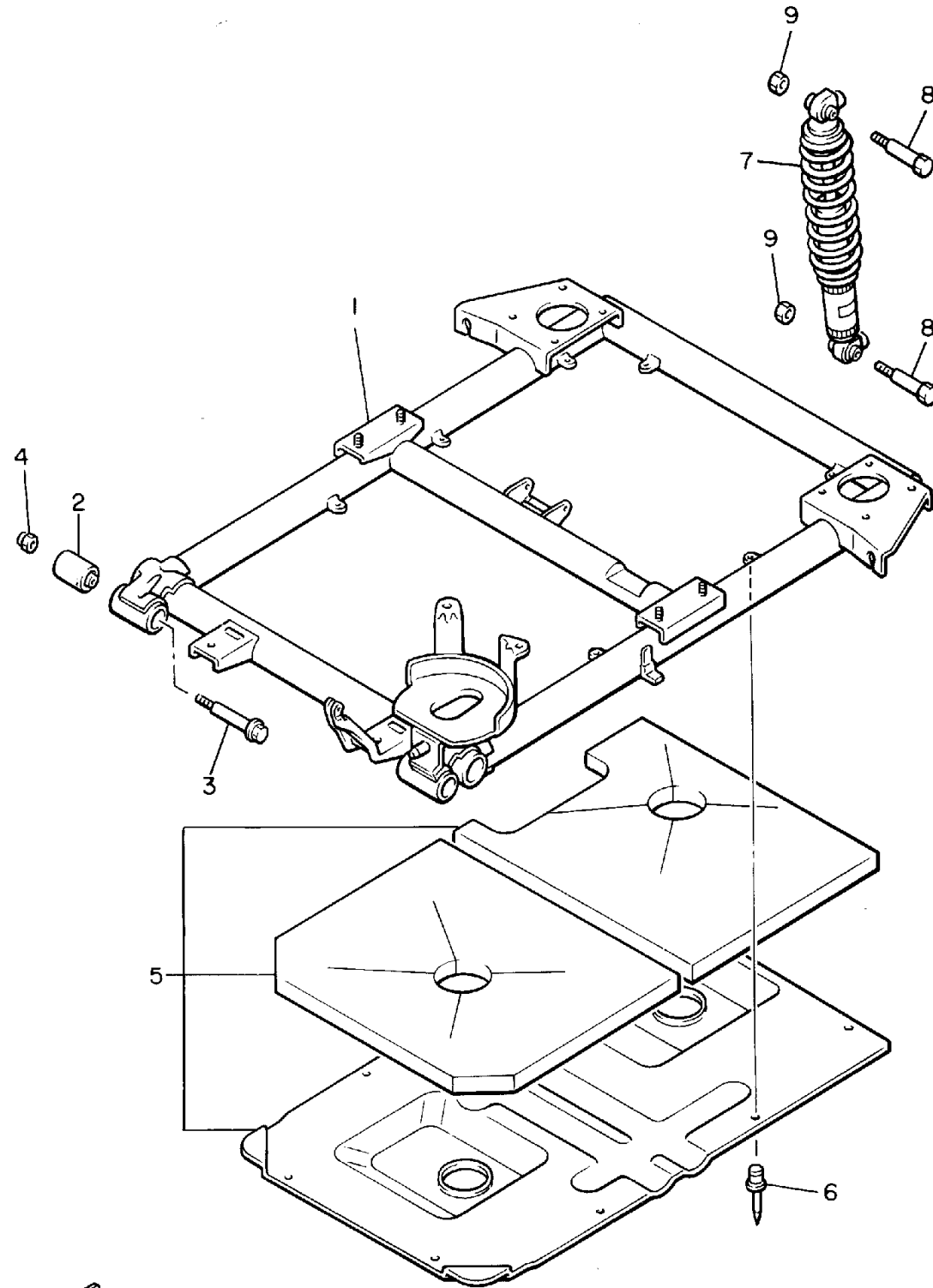
ACCELERATOR	B12
AIR SHROUD FAN	A5
BODY	C9-10
BODY 2	C11-12,D1
BODY FITTING	D2-3
BRAKE	B8-9
BRAKE 2	B10
BRAKE 3	B11
BUMPER	C8
CAMSHAFT VALVE	A4
CARBURETOR	A8
CARRIER	D4-5
CRANKCASE	A10-11
CRANKSHAFT PISTON	A3
CYLINDER	A2
ELECTRICAL 1	D9
ELECTRICAL 2	D10-11
ENGINE BRACKET	A12
EXHAUST	A9
FRAME	B2
FRONT SUSPENSION WHEEL	B3-4
FUEL TANK	B7
GOVERNOR	C1
INTAKE	A6-7
PRIMARY SHEAVE	C2
REAR ARM SUSPENSION	B1
REAR AXLE WHEEL	C7
SEAT	D6
SECONDARY SHEAVE	C3
STARTING MOTOR	D7-8
STEERING	B5-6
TRANSMISSION 1	C4-6
-MODELS IN THIS CATALOG	D12



J38100-8090

G9AG_AH_AJ_AK_AM

REAR ARM SUSPENSION



Ref. No.	Part Number	Description	Qty	Remarks
1	J55-F2110-W0-00	REAR ARM COMP.	1	
2	J10-22123-00-00	BUSH 1	2	
3	90105-10359-00	BOLT, WASHER BASED	2	
4	90185-10115-00	NUT, SELF-LOCKING	2	
5	J55-F2130-00-00	ARM SUB COMP 1	1	JG5-200101~
6	90267-40127-00	RIVET, BLIND	9	JG5-200101~
7	JG5-F2210-00-00	SHOCK ABSORBER ASSEMBLY	2	
8	97012-10050-00	BOLT (97002-10050-00)	4	
9	95601-10100-00	NUT, U (95602-10100-00)	4	

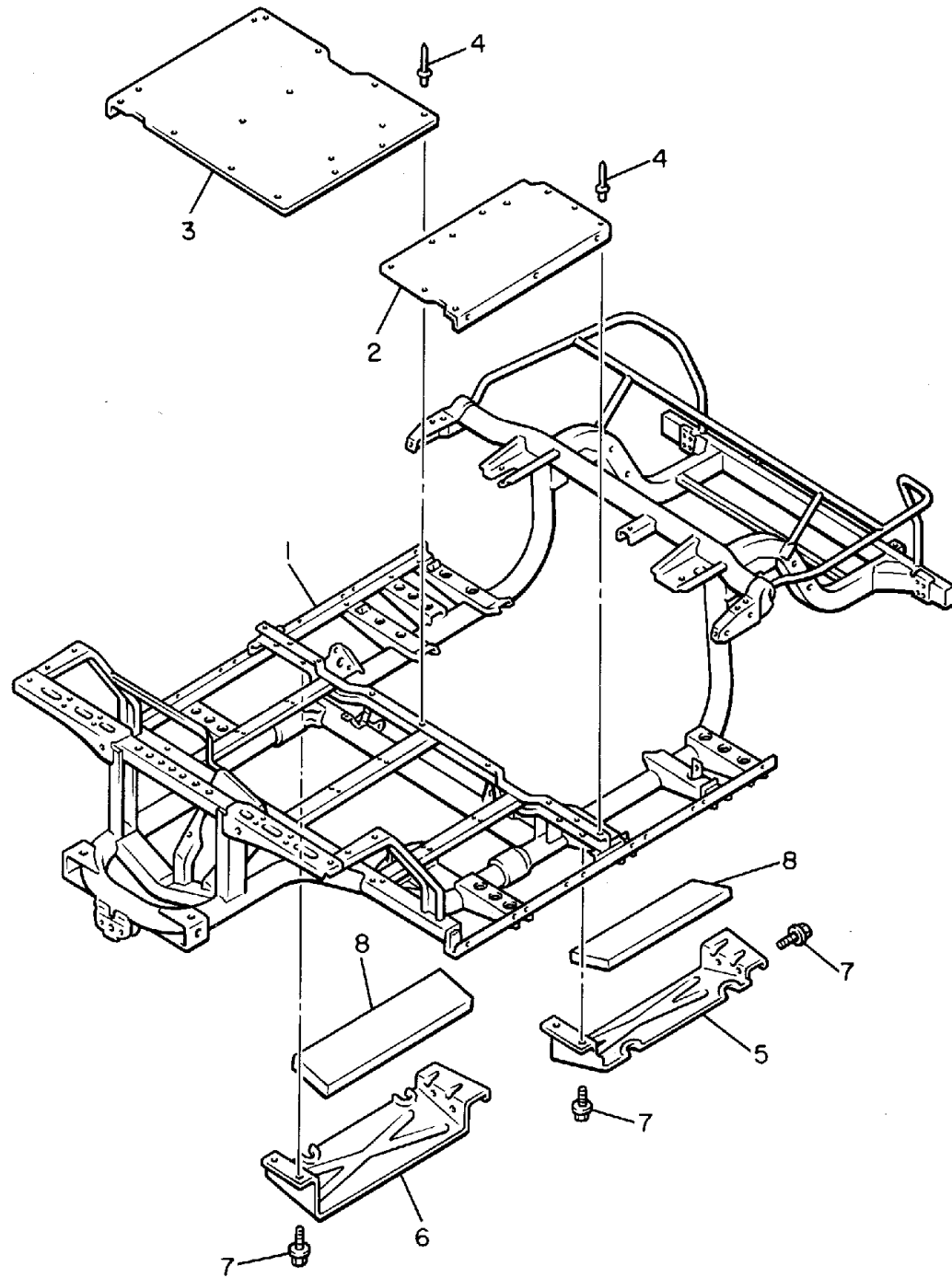
CONTENTS

ACCELERATOR	B12
AIR SHROUD FAN	A5
BODY	C9-10
BODY 2	C11-12,D1
BODY FITTING	D2-3
BRAKE	B8-9
BRAKE 2	B10
BRAKE 3	B11
BUMPER	C8
CAMSHAFT VALVE	A4
CARBURETOR	A8
CARRIER	D4-5
CRANKCASE	A10-11
CRANKSHAFT PISTON	A3
CYLINDER	A2
ELECTRICAL 1	D9
ELECTRICAL 2	D10-11
ENGINE BRACKET	A12
EXHAUST	A9
FRAME	B2
FRONT SUSPENSION WHEEL	B3-4
FUEL TANK	B7
GOVERNOR	C1
INTAKE	A6-7
PRIMARY SHEAVE	C2
REAR ARM SUSPENSION	B1
REAR AXLE WHEEL	C7
SEAT	D6
SECONDARY SHEAVE	C3
STARTING MOTOR	D7-8
STEERING	B5-6
TRANSMISSION 1	C4-6
-MODELS IN THIS CATALOG	D12



JG5100-3100

FRAME



Ref. No.	Part Number	Description	Qty	Remarks
1	JG5-F2501-02-00	FRAME COMP.	1	
2	J55-F2571-00-00	PANEL 1	1	
3	J55-F2572-00-00	PANEL 2	1	
4	90267-40054-00	RIVET, BLIND	20	
5	J38-22592-00-00	PLATE 1	1	JG5-200101~
6	J38-22593-00-00	PLATE 2	1	JG5-200101~
7	95811-06010-00	BOLT, FLANGE	8	JG5-200101~
8	J55-K825H-00-00	PAD, SILENCER 4	2	JG5-200101~

CONTENTS

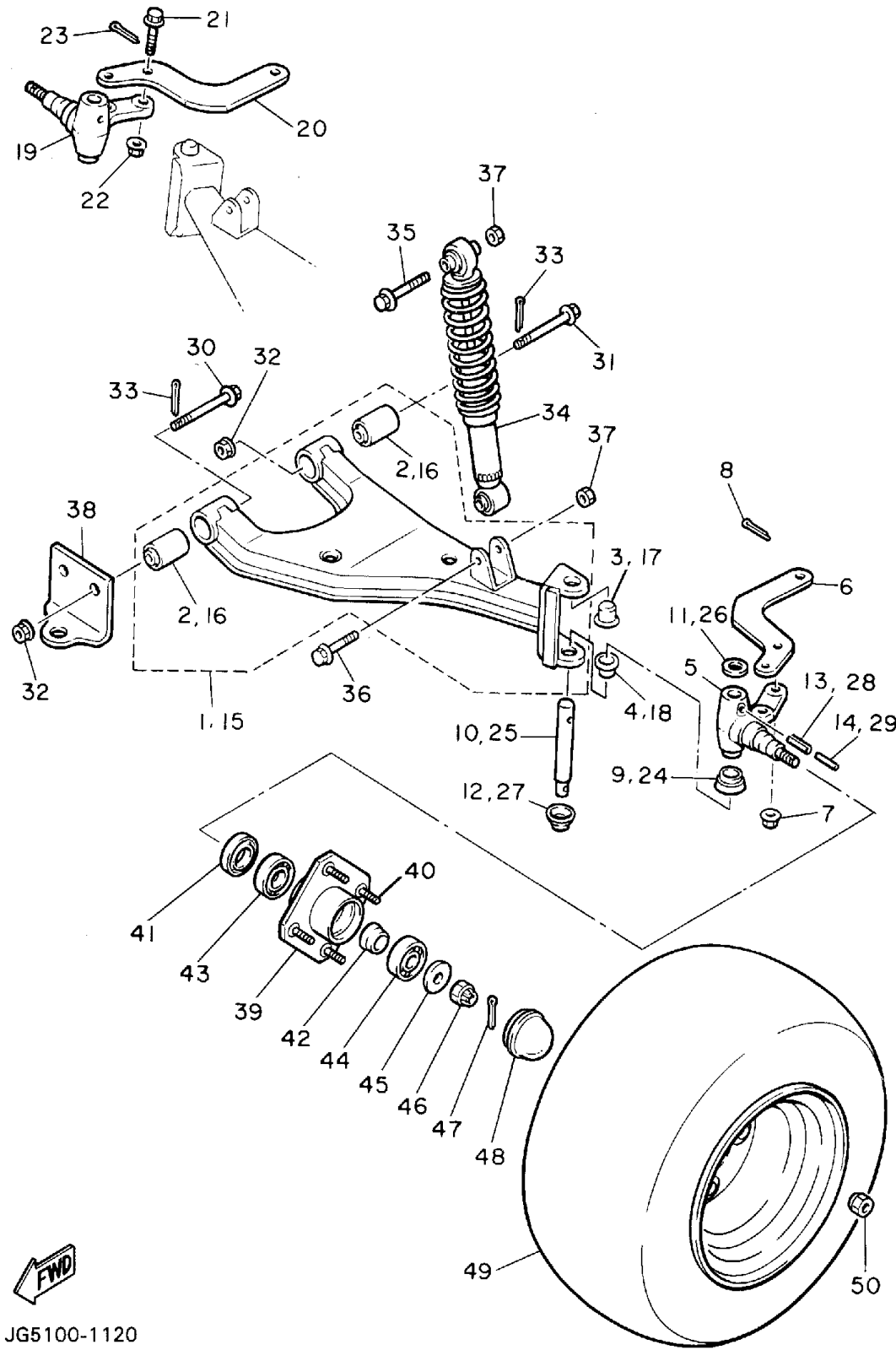
ACCELERATOR	B12
AIR SHROUD FAN	A5
BODY	C9-10
BODY 2	C11-12,D1
BODY FITTING	D2-3
BRAKE	B8-9
BRAKE 2	B10
BRAKE 3	B11
BUMPER	C8
CAMSHAFT VALVE	A4
CARBURETOR	A8
CARRIER	D4-5
CRANKCASE	A10-11
CRANKSHAFT PISTON	A3
CYLINDER	A2
ELECTRICAL 1	D9
ELECTRICAL 2	D10-11
ENGINE BRACKET	A12
EXHAUST	A9
FRAME	B2
FRONT SUSPENSION WHEEL	B3-4
FUEL TANK	B7
GOVERNOR	C1
INTAKE	A6-7
PRIMARY SHEAVE	C2
REAR ARM SUSPENSION	B1
REAR AXLE WHEEL	C7
SEAT	D6
SECONDARY SHEAVE	C3
STARTING MOTOR	D7-8
STEERING	B5-6
TRANSMISSION 1	C4-6
-MODELS IN THIS CATALOG	D12



JA3300-8110

G9AG_AH_AJ_AK_AM

FRONT SUSPENSION WHEEL



JG5100-1120

G9AG_AH_AJ_AK_AM

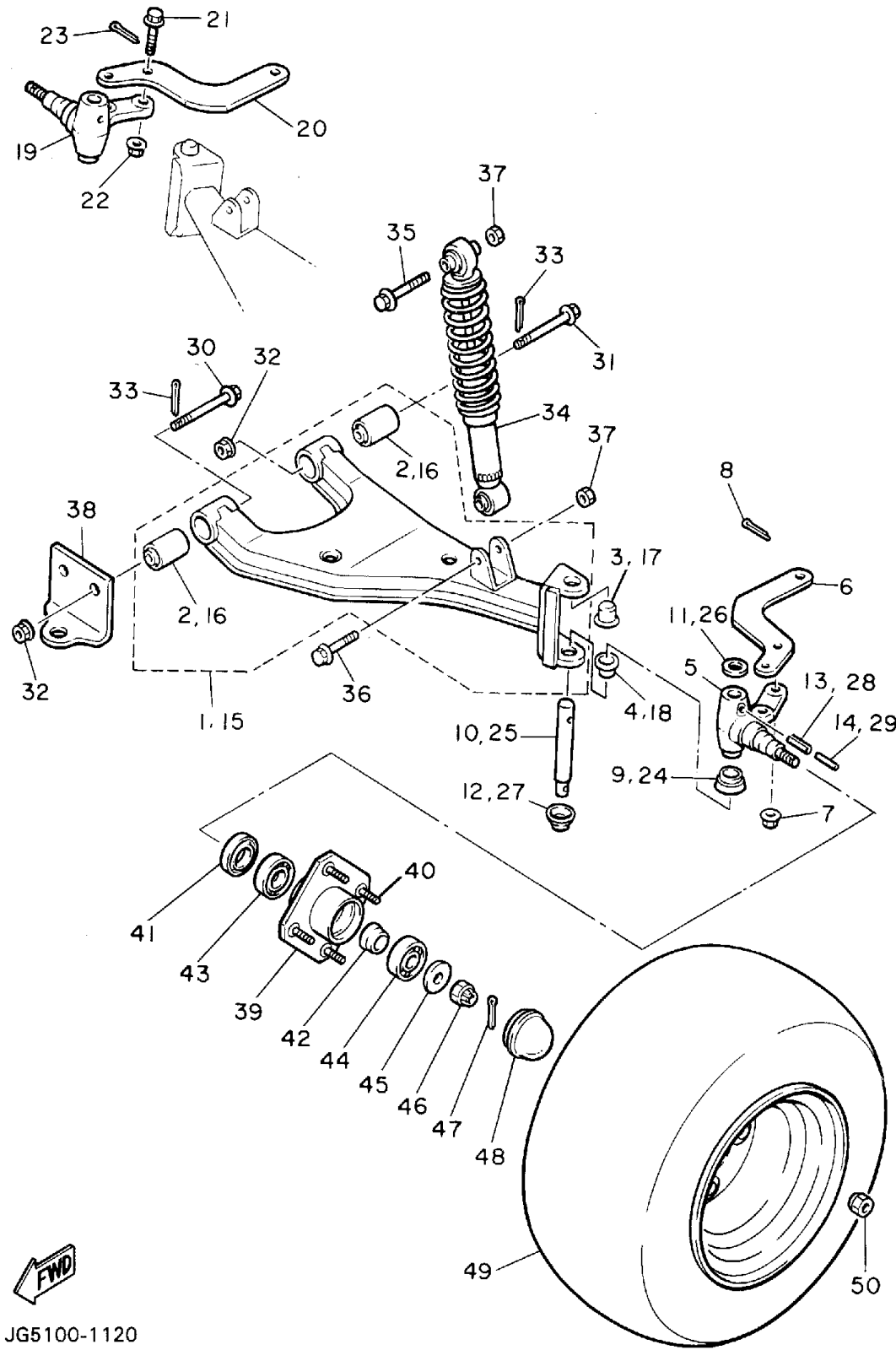
Ref. No.	Part Number	Description	Qty	Remarks
1	J55-F3570-00-00	FRONT LOWER ARM SUB-ASSEMBLY (L.H)	1	
2	J38-23526-00-00	. BUSH	2	
3	90338-17225-00	PLUG, STRAIGHT	1	
4	90386-15139-00	BUSH	1	
5	J38-23511-01-00	KNUCKLE, STEERING 1	1	
6	J38-23512-02-00	ARM, KNUCKLE 1	1	
7	90185-10115-00	NUT, SELF-LOCKING	2	
8	91401-25020-00	PIN, COTTER	2	
9	J38-23527-00-00	SEAL, DUST	1	
10	J38-23516-00-00	PIN, STEERING KNUCKLE	1	
11	90201-156J2-00	WASHER, PLAIN	1	
12	J38-23528-00-00	SEAL, DUST	1	
13	91609-60028-00	PIN, SPRING	1	
14	91609-35028-00	PIN, SPRING	1	
15	J55-F3580-00-00	FRONT LOWER ARM SUB-ASSEMBLY (R.H)	1	
16	J38-23526-00-00	. BUSH	2	
17	90338-17225-00	PLUG, STRAIGHT	1	
18	90386-15139-00	BUSH	1	
19	J38-23521-01-00	KNUCKLE, STEERING 2	1	
20	J38-23512-02-00	ARM, KNUCKLE 1	1	
21	90105-10360-00	BOLT, FLANGE	2	
22	90185-10115-00	NUT, SELF-LOCKING	2	
23	91401-25020-00	PIN, COTTER	2	
24	J38-23527-00-00	SEAL, DUST	1	
25	J38-23516-00-00	PIN, STEERING KNUCKLE	1	
26	90201-156J2-00	WASHER, PLAIN	1	
27	J38-23528-00-00	SEAL, DUST	1	
28	91609-60028-00	PIN, SPRING	1	
29	91609-35028-00	PIN, SPRING	1	

CONTENTS

ACCELERATOR	B12
AIR SHROUD FAN	A5
BODY	C9-10
BODY 2	C11-12,D1
BODY FITTING	D2-3
BRAKE	B8-9
BRAKE 2	B10
BRAKE 3	B11
BUMPER	C8
CAMSHAFT VALVE	A4
CARBURETOR	A8
CARRIER	D4-5
CRANKCASE	A10-11
CRANKSHAFT PISTON	A3
CYLINDER	A2
ELECTRICAL 1	D9
ELECTRICAL 2	D10-11
ENGINE BRACKET	A12
EXHAUST	A9
FRAME	B2
FRONT SUSPENSION WHEEL	B3-4
FUEL TANK	B7
GOVERNOR	C1
INTAKE	A6-7
PRIMARY SHEAVE	C2
REAR ARM SUSPENSION	B1
REAR AXLE WHEEL	C7
SEAT	D6
SECONDARY SHEAVE	C3
STARTING MOTOR	D7-8
STEERING	B5-6
TRANSMISSION 1	C4-6
-MODELS IN THIS CATALOG	D12

CONTINUED ON NEXT FRAME >

FRONT SUSPENSION WHEEL



Ref. No.	Part Number	Description	Qty	Remarks
30	90105-10357-00	BOLT, FLANGE	2	
31	90105-10357-00	BOLT, FLANGE	2	
32	90185-10115-00	NUT, SELF-LOCKING	4	
33	91401-25020-00	PIN, COTTER	4	
34	JG5-F3350-00-00	SHOCK ABSORBER ASSEMBLY	2	
35	97002-10065-00	BOLT	2	
36	97012-10050-00	BOLT (97002-10050-00)	2	
37	95601-10100-00	NUT, U (95602-10100-00)	4	
38	ABA-JF287-00-00	BRACKET 1 ASSEMBLY	1	
39	JG5-WF511-10-00	HUB, FRONT	2	JG5-200101~
	J38-WF511-00-00	HUB	2	~JG5-200100
40	90114-12800-00	BOLT, SERRATION	8	4 PER HUB
41	93102-30083-00	OIL SEAL	2	
42	90387-241M7-00	COLLAR	2	
43	93306-00511-00	BEARING	2	
44	93306-20437-00	BEARING	2	
45	90209-32271-00	WASHER	2	
46	95601-14100-00	NUT, U (95602-14100-00)	2	
47	91401-25020-00	PIN, COTTER	2	
48	J17-25118-00-00	COVER, HUB DUST	2	
49	JG5-F5100-10-00	FRONT WHEEL ASSY-G9	2	
50	90179-12262-00	NUT	8	

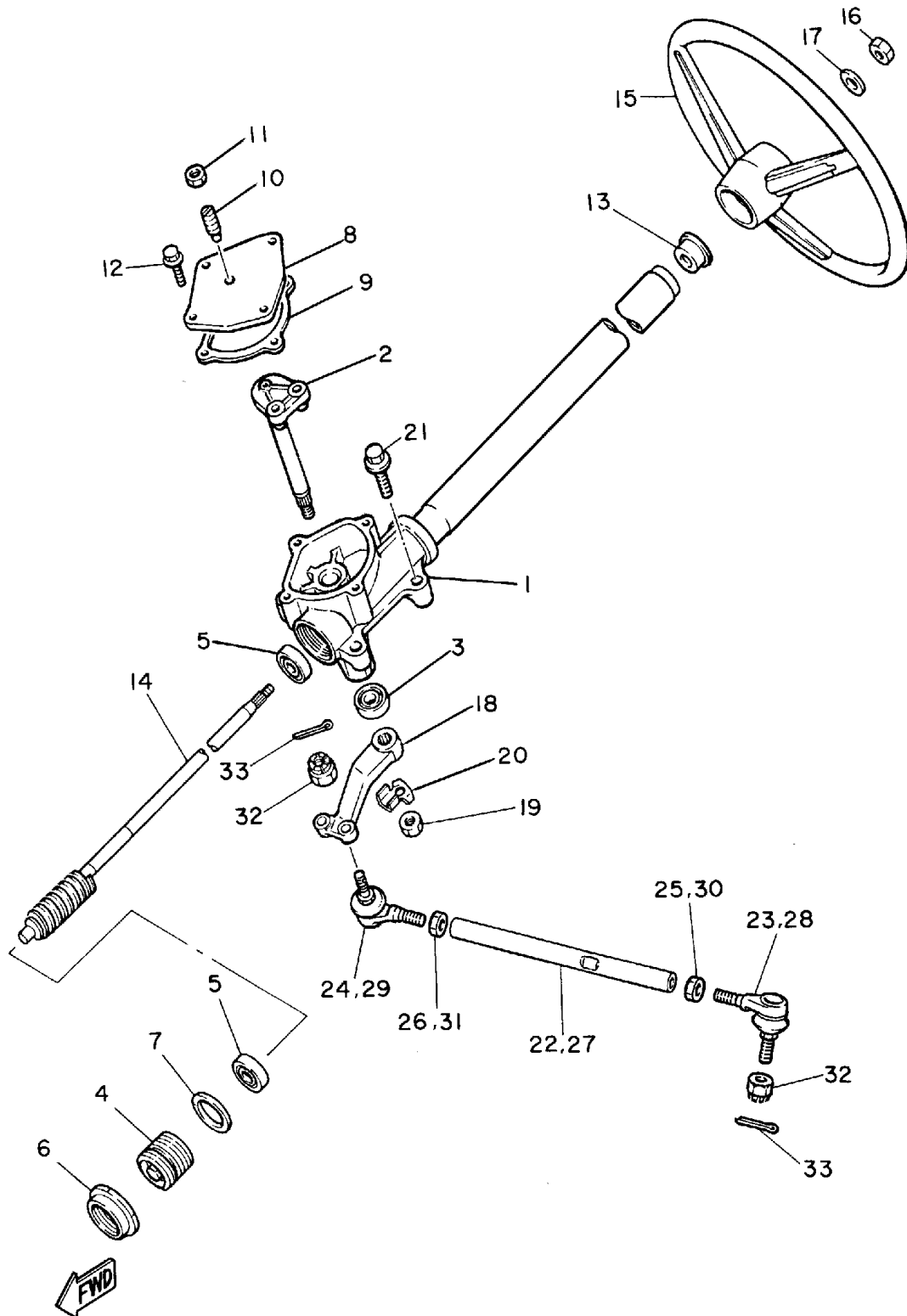
CONTENTS

ACCELERATOR	B12
AIR SHROUD FAN	A5
BODY	C9-10
BODY 2	C11-12,D1
BODY FITTING	D2-3
BRAKE	B8-9
BRAKE 2	B10
BRAKE 3	B11
BUMPER	C8
CAMSHAFT VALVE	A4
CARBURETOR	A8
CARRIER	D4-5
CRANKCASE	A10-11
CRANKSHAFT PISTON	A3
CYLINDER	A2
ELECTRICAL 1	D9
ELECTRICAL 2	D10-11
ENGINE BRACKET	A12
EXHAUST	A9
FRAME	B2
FRONT SUSPENSION WHEEL	B3-4
FUEL TANK	B7
GOVERNOR	C1
INTAKE	A6-7
PRIMARY SHEAVE	C2
REAR ARM SUSPENSION	B1
REAR AXLE WHEEL	C7
SEAT	D6
SECONDARY SHEAVE	C3
STARTING MOTOR	D7-8
STEERING	B5-6
TRANSMISSION 1	C4-6
-MODELS IN THIS CATALOG	D12

JG5100-1120

G9AG_AH_AJ_AK_AM

STEERING



J41110-5040

G9AG_AH_AJ_AK_AM

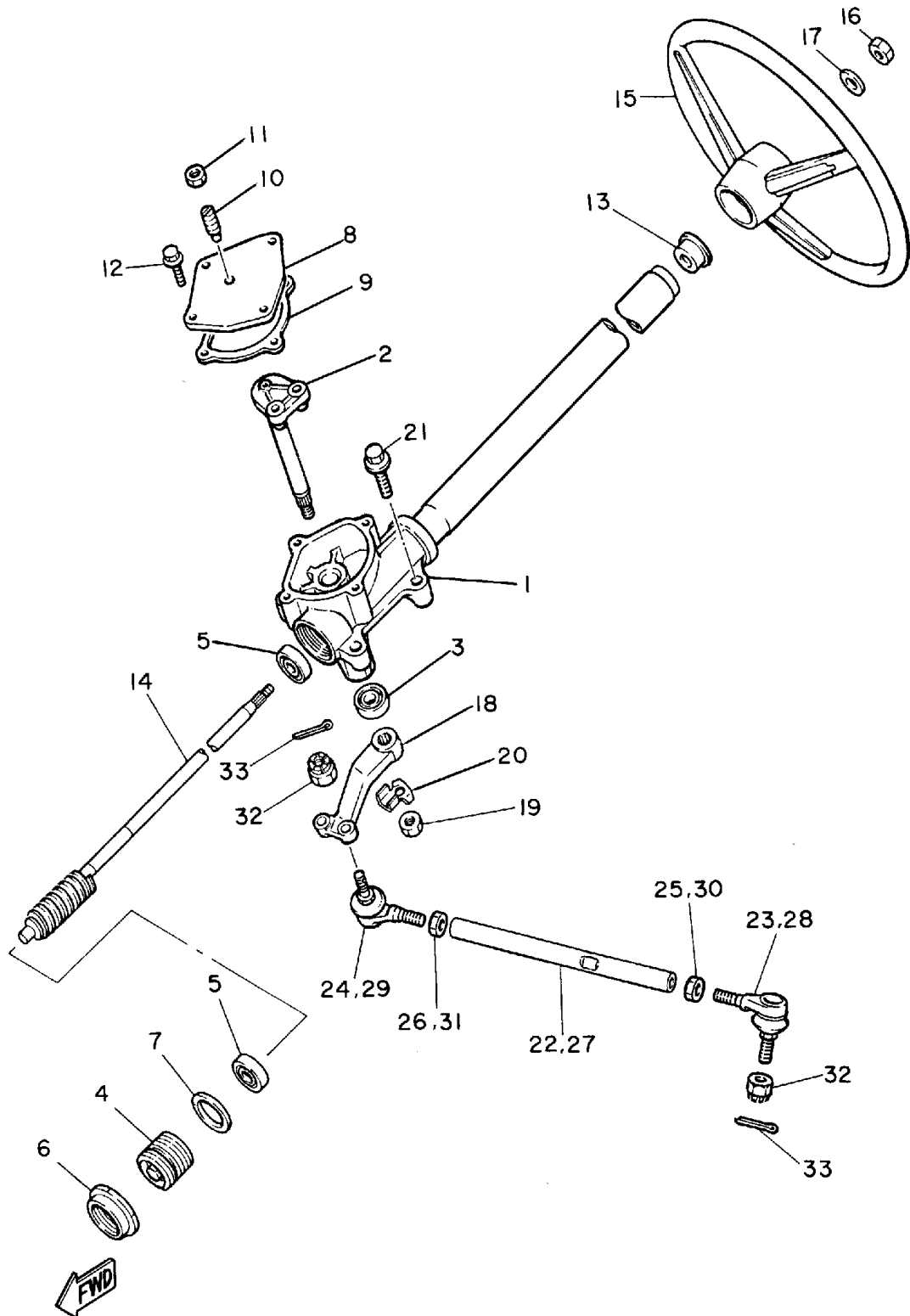
Ref. No.	Part Number	Description	Qty	Remarks
1	JG5-F3811-00-00	COLUMN, STEERING	1	
2	J38-23816-00-00	ARM, PITMAN	1	
3	93102-22314-00	SEAL, OIL	1	
4	J55-F3876-00-00	BOLT	1	
5	93332-00010-00	BEARING	2	
6	J10-23877-00-00	NUT	1	
7	J10-23444-00-00	WASHER	1	
8	J55-23818-00-00	COVER, STEERING	1	
9	J38-23462-00-00	SEAL, STEERING	1	
10	J10-23459-00-00	BOLT	1	
11	90170-08024-00	NUT, HEX	1	
12	95811-06020-00	BOLT, FLANGE	4	
13	J38-23814-00-00	HOLDER, HANDLE UPPER	1	
14	J10-23840-00-00	STEERING SHAFT ASSEMBLY	1	
15	JF2-F3838-00-00	TIE ROD ASSEMBLY	1	
16	90185-12119-00	NUT, SELF-LOCKING	1	
17	92990-12200-00	WASHER, PLAIN	1	
18	J38-23826-01-00	ARM, IDLER	1	
19	95701-16300-00	NUT, FLANGE	1	
20	90215-16252-00	WASHER, TONGUE	1	
21	95811-10050-00	BOLT, FLANGE	4	
22	J38-23831-02-00	ROD, TIE	1	
23	J38-23841-01-00	JOINT, UNIVERSAL 1	1	
24	J38-23845-01-00	JOINT, UNIVERSAL 2	1	
25	90170-12055-00	NUT	1	
26	90170-12054-00	NUT	1	
27	J38-23837-02-00	ROD, TIE 2	1	
28	J38-23841-01-00	JOINT, UNIVERSAL 1	1	
29	J38-23845-01-00	JOINT, UNIVERSAL 2	1	
30	90170-12055-00	NUT	1	

CONTINUED ON NEXT FRAME ►

CONTENTS

ACCELERATOR	B12
AIR SHROUD FAN	A5
BODY	C9-10
BODY 2	C11-12,D1
BODY FITTING	D2-3
BRAKE	B8-9
BRAKE 2	B10
BRAKE 3	B11
BUMPER	C8
CAMSHAFT VALVE	A4
CARBURETOR	A8
CARRIER	D4-5
CRANKCASE	A10-11
CRANKSHAFT PISTON	A3
CYLINDER	A2
ELECTRICAL 1	D9
ELECTRICAL 2	D10-11
ENGINE BRACKET	A12
EXHAUST	A9
FRAME	B2
FRONT SUSPENSION WHEEL	B3-4
FUEL TANK	B7
GOVERNOR	C1
INTAKE	A6-7
PRIMARY SHEAVE	C2
REAR ARM SUSPENSION	B1
REAR AXLE WHEEL	C7
SEAT	D6
SECONDARY SHEAVE	C3
STARTING MOTOR	D7-8
STEERING	B5-6
TRANSMISSION 1	C4-6
-MODELS IN THIS CATALOG	D12

STEERING



J41110-5040

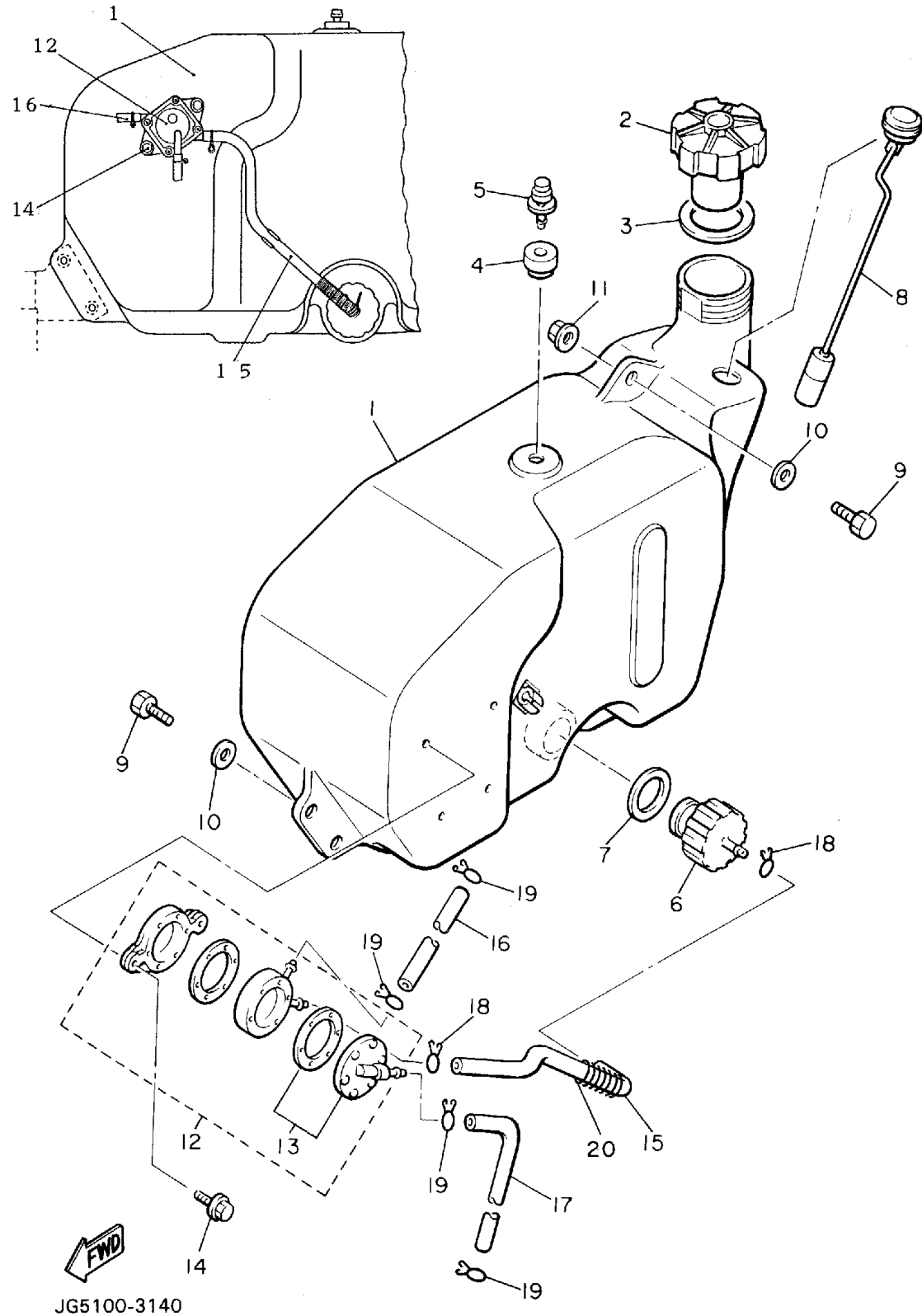
G9AG_AH_AJ_AK_AM

Ref. No.	Part Number	Description	Qty	Remarks
31	90170-12054-00	NUT	1	
32	95601-10100-00	NUT, U (95602-10100-00)	4	
33	91401-25020-00	PIN, COTTER	4	

CONTENTS

ACCELERATOR	B12
AIR SHROUD FAN	A5
BODY	C9-10
BODY 2	C11-12,D1
BODY FITTING	D2-3
BRAKE	B8-9
BRAKE 2	B10
BRAKE 3	B11
BUMPER	C8
CAMSHAFT VALVE	A4
CARBURETOR	A8
CARRIER	D4-5
CRANKCASE	A10-11
CRANKSHAFT PISTON	A3
CYLINDER	A2
ELECTRICAL 1	D9
ELECTRICAL 2	D10-11
ENGINE BRACKET	A12
EXHAUST	A9
FRAME	B2
FRONT SUSPENSION WHEEL	B3-4
FUEL TANK	B7
GOVERNOR	C1
INTAKE	A6-7
PRIMARY SHEAVE	C2
REAR ARM SUSPENSION	B1
REAR AXLE WHEEL	C7
SEAT	D6
SECONDARY SHEAVE	C3
STARTING MOTOR	D7-8
STEERING	B5-6
TRANSMISSION 1	C4-6
-MODELS IN THIS CATALOG	D12

FUEL TANK



Ref. No.	Part Number	Description	Qty	Remarks
1	J55-F4111-11-00	TANK, FUEL	1	
2	J24-24620-01-00	BODY CAP ASSEMBLY	1	
3	J10-24612-00-00	GASKET, CAP	1	
4	J10-21773-00-00	GROMMET	1	
5	J24-24460-01-00	RELEASE VALVE ASSEMBLY .	1	
6	8R4-24560-00-00	FILTER ASSEMBLY	1	
7	8F3-24564-00-00	GASKET	1	
8	J38-85710-02-00	FUEL LEVEL GAUGE ASSEMBLY	1	
9	97502-08425-00	BOLT	3	
10	90201-08748-00	WASHER, PLATE	3	
11	95701-08500-00	NUT, FLANGE (95702-08500-00)	1	
12	J38-24410-10-00	FUEL PUMP ASSEMBLY	1	~JG5-300100
	JG5-24410-00-00	FUEL PUMP ASSEMBLY	1	JG5-300101~
13	J38-24452-10-00	. COVER	1	
14	95811-06014-00	BOLT, FLANGE	2	
15	J38-24311-00-00	PIPE, FUEL 1	1	~JG5-300100
	JG5-24311-01-00	PIPE, FUEL 1	1	JG5-300101~
16	90445-09252-00	HOSE	1	
17	90445-09085-00	HOSE	1	
18	90467-11009-00	CLIP	2	
19	90467-08017-00	CLIP	4	
20	90501-08707-00	SPRING, COMPRESSION	1	

CONTENTS

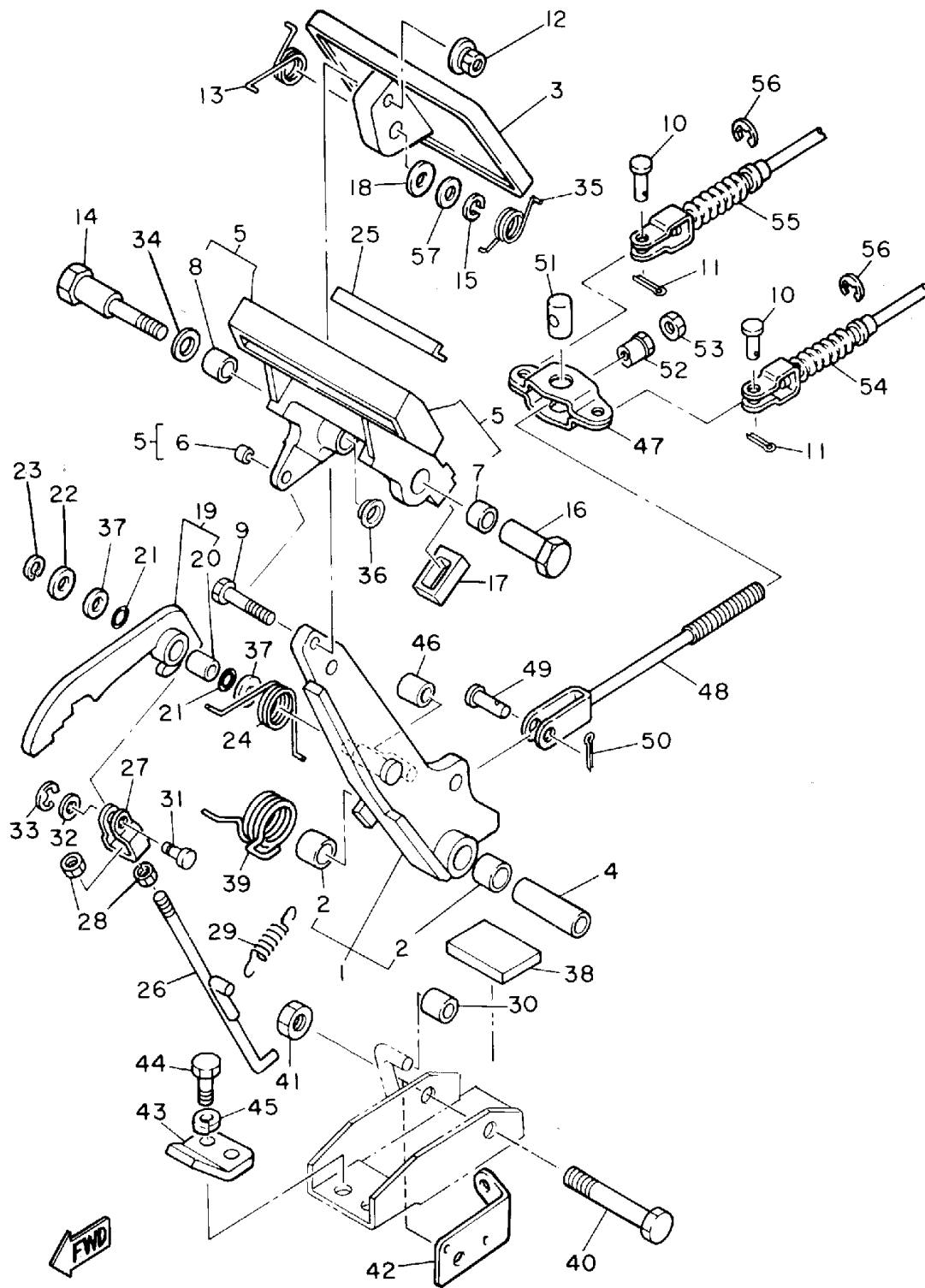
ACCELERATOR	B12
AIR SHROUD FAN	A5
BODY	C9-10
BODY 2	C11-12,D1
BODY FITTING	D2-3
BRAKE	B8-9
BRAKE 2	B10
BRAKE 3	B11
BUMPER	C8
CAMSHAFT VALVE	A4
CARBURETOR	A8
CARRIER	D4-5
CRANKCASE	A10-11
CRANKSHAFT PISTON	A3
CYLINDER	A2
ELECTRICAL 1	D9
ELECTRICAL 2	D10-11
ENGINE BRACKET	A12
EXHAUST	A9
FRAME	B2
FRONT SUSPENSION WHEEL	B3-4
FUEL TANK	B7
GOVERNOR	C1
INTAKE	A6-7
PRIMARY SHEAVE	C2
REAR ARM SUSPENSION	B1
REAR AXLE WHEEL	C7
SEAT	D6
SECONDARY SHEAVE	C3
STARTING MOTOR	D7-8
STEERING	B5-6
TRANSMISSION 1	C4-6
~MODELS IN THIS CATALOG	D12

BRAKE

Ref. No.	Part Number	Description	Qty	Remarks
1	J17-27250-02-00	BRAKE ARM COMP.	1	
2	90384-14080-00	. BUSH, BIMETAL FORMED ...	2	
3	J10-27211-00-00	PEDAL, BRAKE	1	
4	90387-107F8-00	COLLAR	1	
5	J17-25670-01-00	PARKING BRAKE COMP.	1	
6	90384-05163-00	. BUSH, BIMETAL	1	
7	90384-12164-00	. BUSH, BIMETAL	1	
8	90380-12051-00	. BUSH, SOLID	1	
9	90101-06555-00	BOLT, HEX	1	
10	91701-08018-00	PIN, CLEVIS	4	
11	91490-25020-00	PIN, COTTER	4	
12	90179-07564-00	NUT	1	
13	90508-23542-00	SPRING, TORSION	1	
14	90109-08669-00	BOLT	1	
15	92902-08100-00	WASHER, SPRING	1	
16	90179-08378-00	NUT	1	
17	J17-25679-01-00	DAMPER	2	
18	92990-08200-00	WASHER, PLAIN	1	
19	J17-W2561-00-00	SECTOR, PARKING BRAKE ..	1	
20	90384-10162-00	. BUSH, BIMETAL FORMED ...	1	
21	J17-27221-00-00	SEAL, SHAFT	2	
22	92990-10600-00	WASHER, PLATE	1	
23	99080-07600-00	CIRCLIP (E)	1	
24	90508-14548-00	SPRING, TORSION	1	
25	J17-25672-00-00	PAD, PARKING PEDAL	1	
26	J17-27231-02-00	ROD, BRAKE	1	
27	J17-27232-00-00	END, ROD 2	1	
28	95380-06700-00	NUT	2	
29	90506-12277-00	SPRING, TENSION	1	
30	J17-25673-00-00	DAMPER, BRAKE	1	

CONTENTS

ACCELERATOR	B12
AIR SHROUD FAN	A5
BODY	C9-10
BODY 2	C11-12,D1
BODY FITTING	D2-3
BRAKE	B8-9
BRAKE 2	B10
BRAKE 3	B11
BUMPER	C8
CAMSHAFT VALVE	A4
CARBURETOR	A8
CARRIER	D4-5
CRANKCASE	A10-11
CRANKSHAFT PISTON	A3
CYLINDER	A2
ELECTRICAL 1	D9
ELECTRICAL 2	D10-11
ENGINE BRACKET	A12
EXHAUST	A9
FRAME	B2
FRONT SUSPENSION WHEEL	B3-4
FUEL TANK	B7
GOVERNOR	C1
INTAKE	A6-7
PRIMARY SHEAVE	C2
REAR ARM SUSPENSION	B1
REAR AXLE WHEEL	C7
SEAT	D6
SECONDARY SHEAVE	C3
STARTING MOTOR	D7-8
STEERING	B5-6
TRANSMISSION 1	C4-6
-MODELS IN THIS CATALOG	D12



JG5100-3150

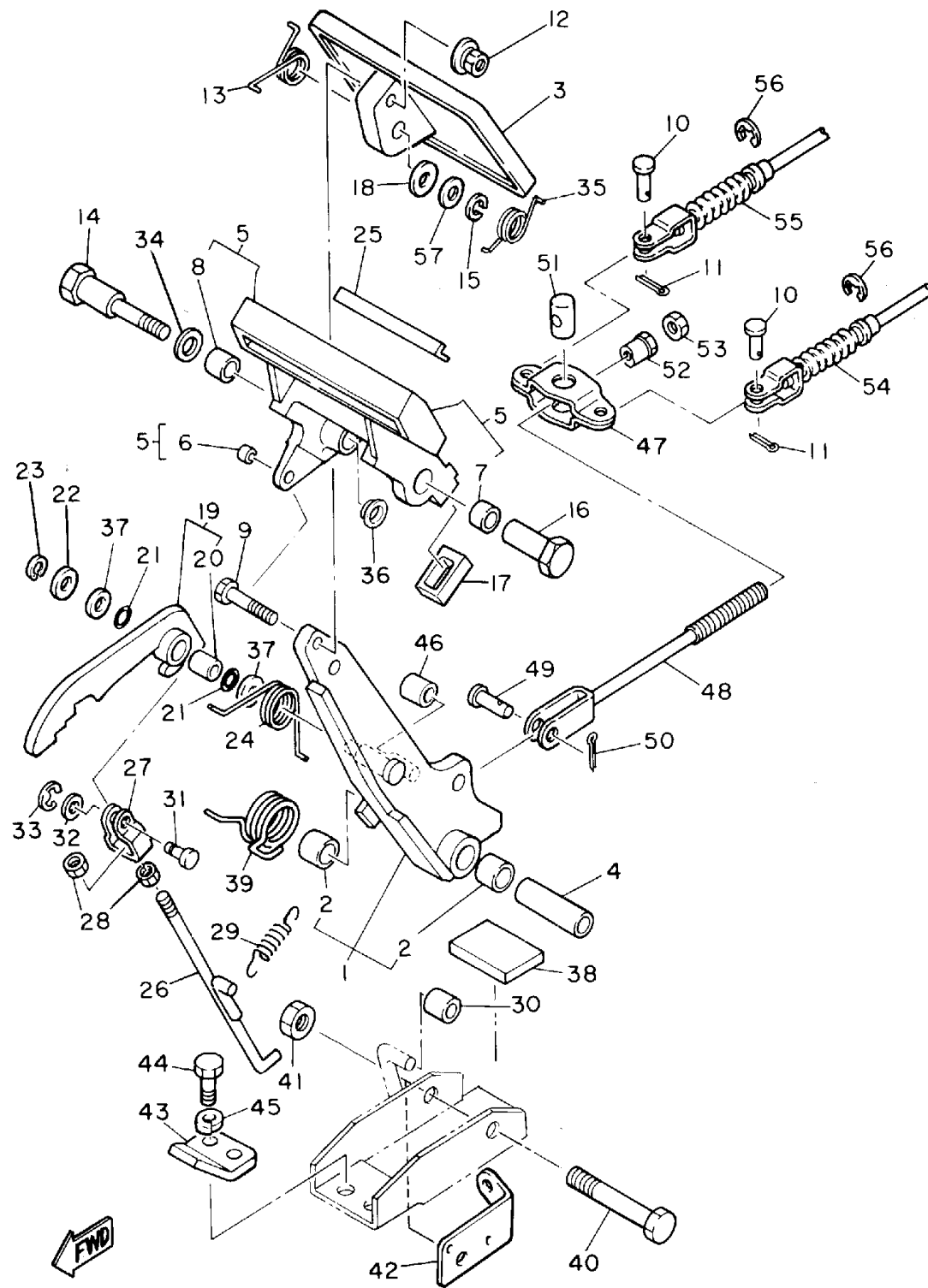
CONTINUED ON NEXT FRAME ►

BRAKE

Ref. No.	Part Number	Description	Qty	Remarks
31	J17-27228-00-00	PIN, JOINT	1	
32	92901-05600-00	WASHER, PLATE	1	
33	99080-04600-00	CIRCLIP	1	
34	90201-123F2-00	WASHER, PLAIN	1	
35	90508-26557-00	SPRING, TORSION	1	
36	90380-12105-00	BUSH, SOLID	1	
37	90201-104G8-00	WASHER, PLATE	2	
38	J17-27245-00-00	PAD, BRAKE PEDAL	1	
39	90508-40543-00	SPRING, TORSION	1	
40	90101-10447-00	BOLT, HEX	1	
41	95601-10100-00	NUT, U (95602-10100-00)	1	
42	J55-2252M-00-00	BRACKET, 3	1	
43	J17-27246-00-00	NAIL, BRAKE	1	
44	97313-08020-00	BOLT, HEXAGON	2	
45	92902-08100-00	WASHER, SPRING	2	
46	J17-25673-00-00	DAMPER, BRAKE	1	
47	J10-25681-00-00	EQUALIZER, BRAKE	1	
48	J20-25685-00-00	ROD	1	
49	91701-10022-00	PIN, CLEVIS	1	
50	91490-30020-00	PIN, COTTER	1	
51	90249-14129-00	PIN	1	
52	90179-08261-00	NUT	1	
53	95303-08700-00	.NUT	1	
54	J55-F6341-00-00	CABLE, BRAKE	1	
55	J55-F6351-00-00	CABLE, BRAKE	1	
56	99001-09600-00	CIRCLIP	4	
57	J55-27226-00-00	WASHER, LINK	1	

CONTENTS

ACCELERATOR	B12
AIR SHROUD FAN	A5
BODY	C9-10
BODY 2	C11-12,D1
BODY FITTING	D2-3
BRAKE	B8-9
BRAKE 2	B10
BRAKE 3	B11
BUMPER	C8
CAMSHAFT VALVE	A4
CARBURETOR	A8
CARRIER	D4-5
CRANKCASE	A10-11
CRANKSHAFT PISTON	A3
CYLINDER	A2
ELECTRICAL 1	D9
ELECTRICAL 2	D10-11
ENGINE BRACKET	A12
EXHAUST	A9
FRAME	B2
FRONT SUSPENSION WHEEL	B3-4
FUEL TANK	B7
GOVERNOR	C1
INTAKE	A6-7
PRIMARY SHEAVE	C2
REAR ARM SUSPENSION	B1
REAR AXLE WHEEL	C7
SEAT	D6
SECONDARY SHEAVE	C3
STARTING MOTOR	D7-8
STEERING	B5-6
TRANSMISSION 1	C4-6
-MODELS IN THIS CATALOG	D12



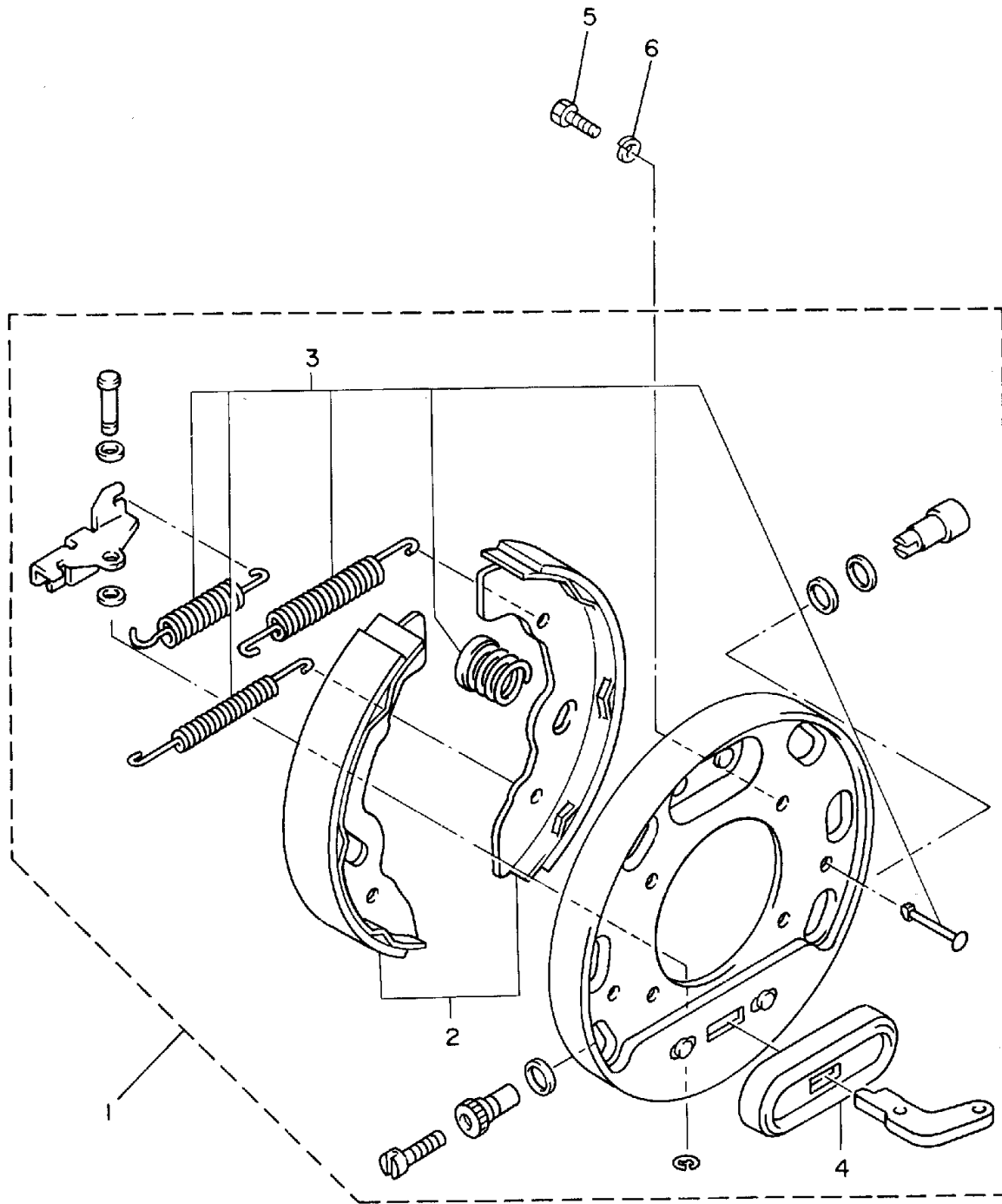
JG5100-3150

BRAKE 2

Ref. No.	Part Number	Description	Qty	Remarks
1	JG5-F7280-00-00	BACKING PLATE ASSEMBLY 1 (R.H.)	2	
2	JG5-F5330-00-00	. BRAKE SHOE SET	1	
3	JG5-F819G-00-00	. REPAIR PARTS KIT	1	
4	JG5-F7286-00-00	. COVER, DUST	1	
5	97011-08016-00	BOLT	4	
6	92902-08100-00	WASHER, SPRING	4	

CONTENTS

ACCELERATOR	B12
AIR SHROUD FAN	A5
BODY	C9-10
BODY 2	C11-12,D1
BODY FITTING	D2-3
BRAKE	B8-9
BRAKE 2	B10
BRAKE 3	B11
BUMPER	C8
CAMSHAFT VALVE	A4
CARBURETOR	A8
CARRIER	D4-5
CRANKCASE	A10-11
CRANKSHAFT PISTON	A3
CYLINDER	A2
ELECTRICAL 1	D9
ELECTRICAL 2	D10-11
ENGINE BRACKET	A12
EXHAUST	A9
FRAME	B2
FRONT SUSPENSION WHEEL	B3-4
FUEL TANK	B7
GOVERNOR	C1
INTAKE	A6-7
PRIMARY SHEAVE	C2
REAR ARM SUSPENSION	B1
REAR AXLE WHEEL	C7
SEAT	D6
SECONDARY SHEAVE	C3
STARTING MOTOR	D7-8
STEERING	B5-6
TRANSMISSION 1	C4-6
-MODELS IN THIS CATALOG	D12

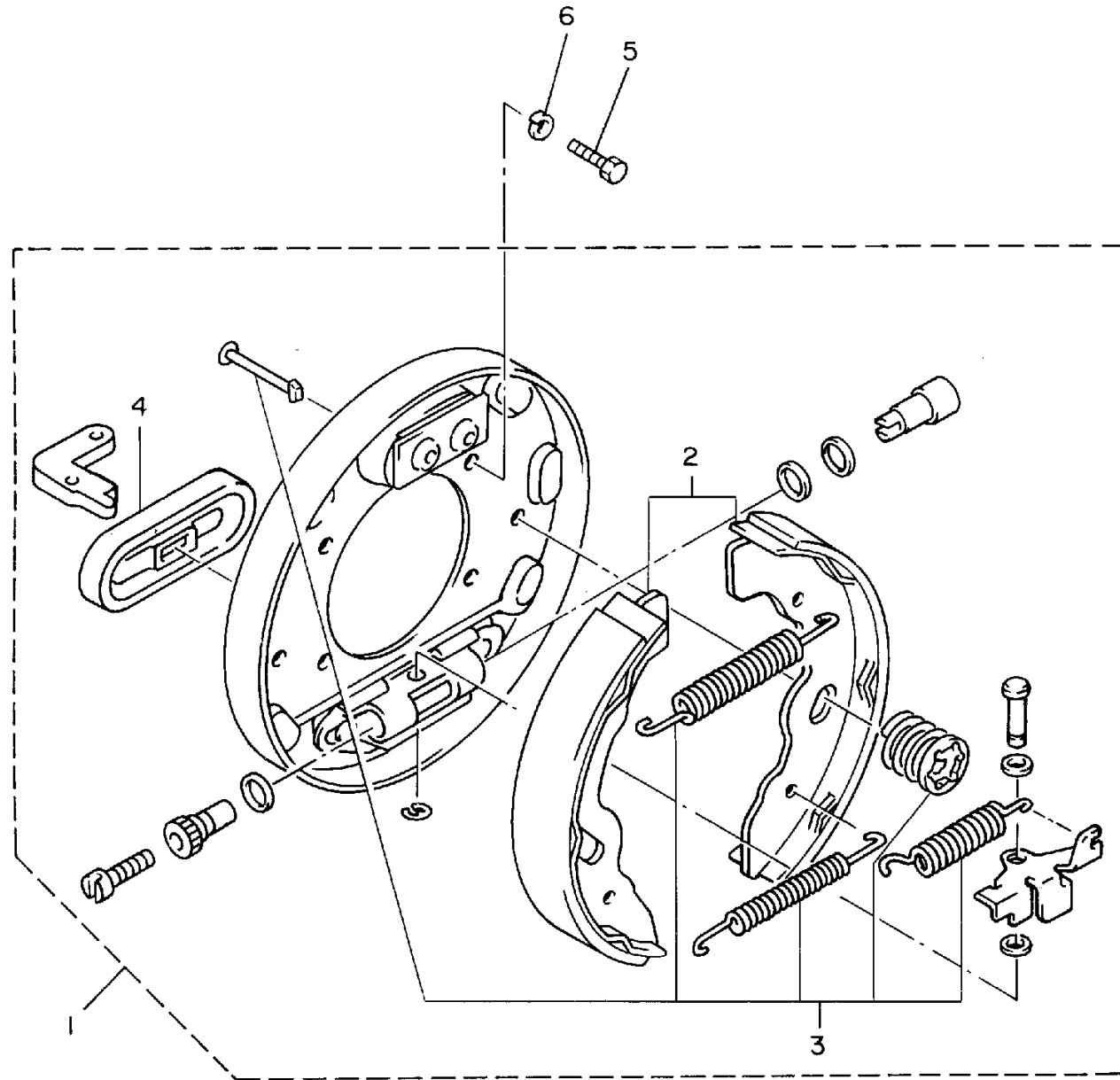


JG5100-3160

G9AG_AH_AJ_AK_AM

B10

BRAKE 3



Ref. No.	Part Number	Description	Qty	Remarks
1	JG5-F7290-00-00	BACKING PLATE ASSEMBLY (L.H.)	2	
2	JG5-F5330-00-00	. BRAKE SHOE SET	1	
3	JG5-F819G-00-00	. REPAIR PARTS KIT	1	
4	JG5-F7286-00-00	. COVER, DUST	1	
5	97011-08016-00	BOLT	4	
6	92902-08100-00	WASHER, SPRING	4	

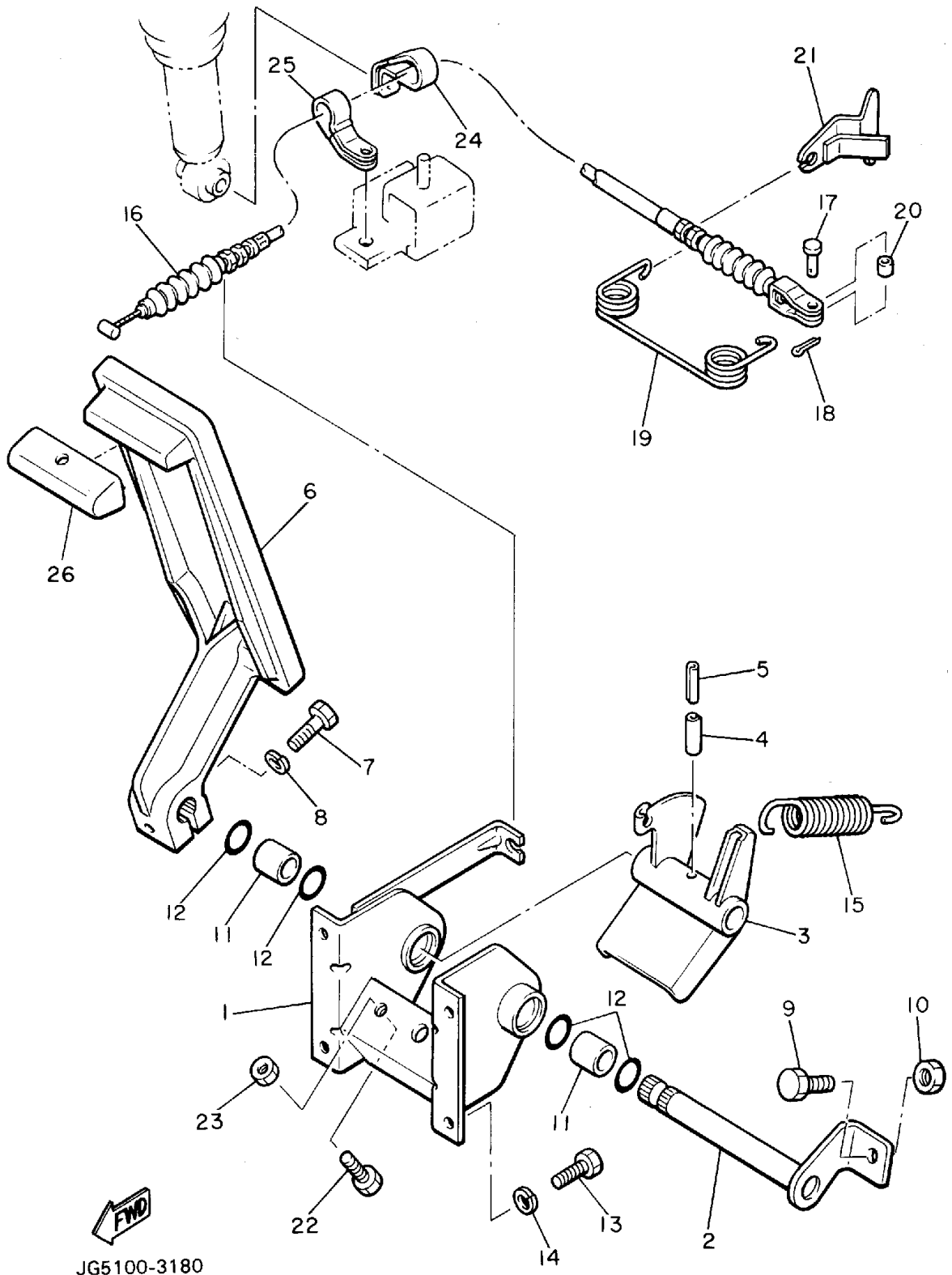
CONTENTS

ACCELERATOR	B12
AIR SHROUD FAN	A5
BODY	C9-10
BODY 2	C11-12,D1
BODY FITTING	D2-3
BRAKE	B8-9
BRAKE 2	B10
BRAKE 3	B11
BUMPER	C8
CAMSHAFT VALVE	A4
CARBURETOR	A8
CARRIER	D4-5
CRANKCASE	A10-11
CRANKSHAFT PISTON	A3
CYLINDER	A2
ELECTRICAL 1	D9
ELECTRICAL 2	D10-11
ENGINE BRACKET	A12
EXHAUST	A9
FRAME	B2
FRONT SUSPENSION WHEEL	B3-4
FUEL TANK	B7
GOVERNOR	C1
INTAKE	A6-7
PRIMARY SHEAVE	C2
REAR ARM SUSPENSION	B1
REAR AXLE WHEEL	C7
SEAT	D6
SECONDARY SHEAVE	C3
STARTING MOTOR	D7-8
STEERING	B5-6
TRANSMISSION 1	C4-6
-MODELS IN THIS CATALOG	D12



JG5100-3170

ACCELERATOR



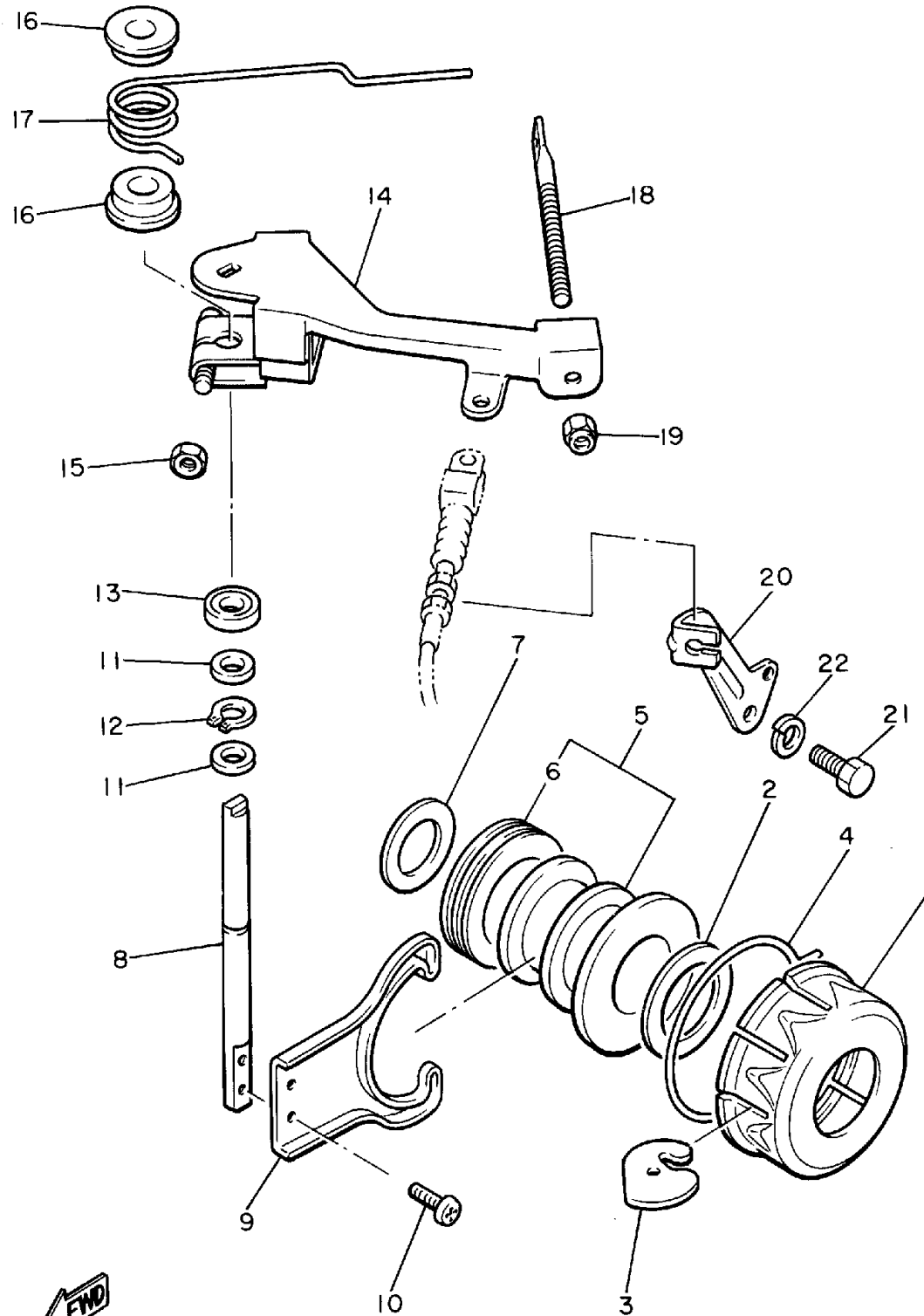
Ref. No.	Part Number	Description	Qty	Remarks
1	J38-27874-00-00	BRACKET, ACCELERATOR PEDAL	1	
2	J17-27853-00-00	SHAFT, PEDAL 1	1	
3	J38-27872-00-00	ARM, ACCELERATOR PEDAL .	1	
4	91609-60028-00	PIN, SPRING	1	
5	91609-35028-00	PIN, SPRING	1	
6	JF3-27871-00-00	PEDAL, ACCELERATOR	1	
7	97011-06025-00	BOLT (97001-06025-00)	1	
8	92995-06100-00	WASHER, SPRING	1	
9	90106-08040-00	BOLT	1	
10	95303-08700-00	.NUT	1	
11	90384-14080-00	BUSH, BIMETAL FORMED	2	
12	93210-14104-00	O-RING	4	
13	97011-06016-00	BOLT	4	
14	92995-06100-00	WASHER, SPRING	4	
15	90506-26282-00	SPRING, TENSION	1	
16	J55-F6311-00-00	CABLE, THROTTLE 1	1	
17	91702-05012-00	PIN	1	
18	90468-10050-00	CLIP	1	
19	90508-16460-00	SPRING, TORSION	1	
20	90560-05001-00	SPACER	1	
21	J38-27981-00-00	BRACKET, THROTTLE	1	
22	97011-06025-00	BOLT (97001-06025-00)	1	
23	95380-06700-00	NUT	1	
24	90461-08048-00	CLAMP	1	
25	90461-08106-00	CLAMP	1	
26	JF2-27854-00-00	COVER, PEDAL	1	

CONTENTS

ACCELERATOR	B12
AIR SHROUD FAN	A5
BODY	C9-10
BODY 2	C11-12,D1
BODY FITTING	D2-3
BRAKE	B8-9
BRAKE 2	B10
BRAKE 3	B11
BUMPER	C8
CAMSHAFT VALVE	A4
CARBURETOR	A8
CARRIER	D4-5
CRANKCASE	A10-11
CRANKSHAFT PISTON	A3
CYLINDER	A2
ELECTRICAL 1	D9
ELECTRICAL 2	D10-11
ENGINE BRACKET	A12
EXHAUST	A9
FRAME	B2
FRONT SUSPENSION WHEEL	B3-4
FUEL TANK	B7
GOVERNOR	C1
INTAKE	A6-7
PRIMARY SHEAVE	C2
REAR ARM SUSPENSION	B1
REAR AXLE WHEEL	C7
SEAT	D6
SECONDARY SHEAVE	C3
STARTING MOTOR	D7-8
STEERING	B5-6
TRANSMISSION 1	C4-6
-MODELS IN THIS CATALOG	D12

JG5100-3180

GOVERNOR



Ref. No.	Part Number	Description	Qty	Remarks
1	J10-27912-00-00	RETAINER	1	
2	90387-21690-00	COLLAR	1	
3	J10-27913-00-00	WEIGHT	12	
4	J10-27911-00-00	HOLDER	1	
5	J10-27927-00-00	LIFTER	1	
6	93342-22502-00	BEARING, THRUST	1	
7	90201-20275-00	WASHER, PLATE	1	
8	J38-27921-00-00	SHAFT, GOVERNOR	1	
9	J10-27922-00-00	FORK, GOVERNOR	1	
10	91316-04008-00	BOLT	2	
11	90202-08110-00	WASHER, PLATE	2	
12	99009-06600-00	CIRCLIP	1	
13	93109-08050-00	OIL SEAL	1	
14	J38-27951-00-00	LEVER, SPEED LIMITER	1	
15	95380-06600-00	NUT, HEXAGON	1	
16	90386-08141-00	BUSH	2	
17	90508-40678-00	SPRING, TORSION	1	
18	J38-27959-00-00	SCREW, ADJUSTING	1	
19	95701-06300-00	NUT, NYLON	1	
20	J38-27982-00-00	BRACKET, WIRE	1	
21	97011-08016-00	BOLT	1	
22	92902-08100-00	WASHER, SPRING	1	

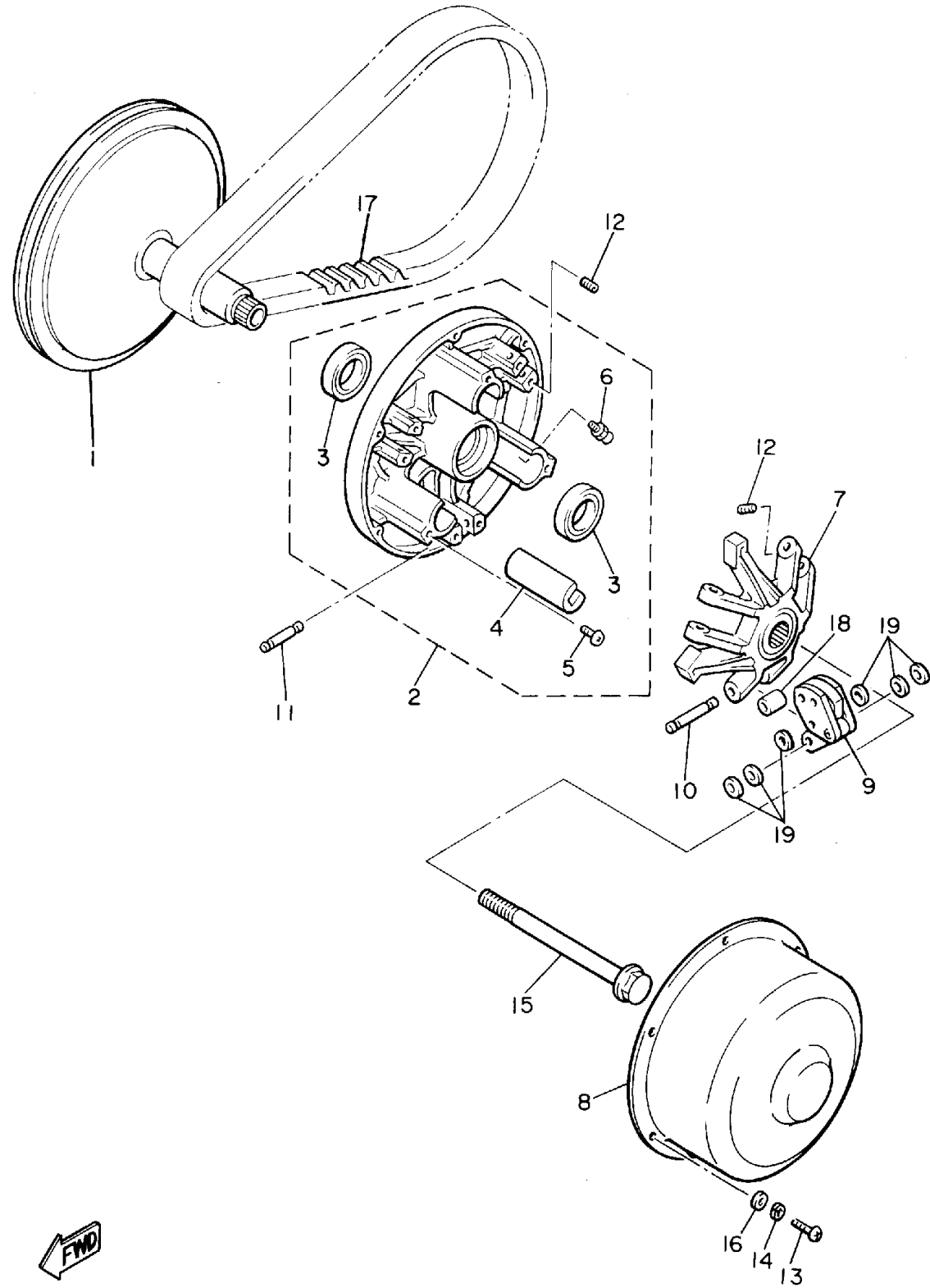
CONTENTS

ACCELERATOR	B12
AIR SHROUD FAN	A5
BODY	C9-10
BODY 2	C11-12,D1
BODY FITTING	D2-3
BRAKE	B8-9
BRAKE 2	B10
BRAKE 3	B11
BUMPER	C8
CAMSHAFT VALVE	A4
CARBURETOR	A8
CARRIER	D4-5
CRANKCASE	A10-11
CRANKSHAFT PISTON	A3
CYLINDER	A2
ELECTRICAL 1	D9
ELECTRICAL 2	D10-11
ENGINE BRACKET	A12
EXHAUST	A9
FRAME	B2
FRONT SUSPENSION WHEEL	B3-4
FUEL TANK	B7
GOVERNOR	C1
INTAKE	A6-7
PRIMARY SHEAVE	C2
REAR ARM SUSPENSION	B1
REAR AXLE WHEEL	C7
SEAT	D6
SECONDARY SHEAVE	C3
STARTING MOTOR	D7-8
STEERING	B5-6
TRANSMISSION 1	C4-6
-MODELS IN THIS CATALOG	D12

J38110-5180

G9AG_AH_AJ_AK_AM

PRIMARY SHEAVE



Ref. No.	Part Number	Description	Qty	Remarks
1	J38-46210-00-00	PRIMARY FIXED	1	
2	J38-46220-00-00	PRIMARY SLIDING SHEAVE COMP.	1	
3	93102-28348-00	. OIL SEAL	2	
4	J38-46253-00-00	. SLIDER	3	
5	98901-05008-00	. SCREW, BLIND	3	
6	93700-06004-00	. NIPPLE, GREASE	1	
7	J38-46251-00-00	SPIDER	1	
8	J38-46231-00-00	CAP	1	
9	J38-46205-01-00	WEIGHT LINK ASSEMBLY	3	
10	J38-46236-00-00	PIN, WEIGHT	3	
11	J38-46237-00-00	PIN, WEIGHT 2	3	
12	90113-04050-00	BOLT, SET	12	
13	98580-05010-00	SCREW, PAN HEAD	6	
14	92990-05100-00	WASHER, SPRING	6	
15	J38-46249-00-00	BOLT	1	
16	90202-07164-00	WASHER, PLATE	6	
17	J55-G6241-00-00	V-BELT	1	
18	90387-076U6-00	COLLAR	3	
19	90202-07186-00	WASHER, PLATE	6	

CONTENTS

ACCELERATOR	B12
AIR SHROUD FAN	A5
BODY	C9-10
BODY 2	C11-12,D1
BODY FITTING	D2-3
BRAKE	B8-9
BRAKE 2	B10
BRAKE 3	B11
BUMPER	C8
CAMSHAFT VALVE	A4
CARBURETOR	A8
CARRIER	D4-5
CRANKCASE	A10-11
CRANKSHAFT PISTON	A3
CYLINDER	A2
ELECTRICAL 1	D9
ELECTRICAL 2	D10-11
ENGINE BRACKET	A12
EXHAUST	A9
FRAME	B2
FRONT SUSPENSION WHEEL	B3-4
FUEL TANK	B7
GOVERNOR	C1
INTAKE	A6-7
PRIMARY SHEAVE	C2
REAR ARM SUSPENSION	B1
REAR AXLE WHEEL	C7
SEAT	D6
SECONDARY SHEAVE	C3
STARTING MOTOR	D7-8
STEERING	B5-6
TRANSMISSION 1	C4-6
-MODELS IN THIS CATALOG	D12

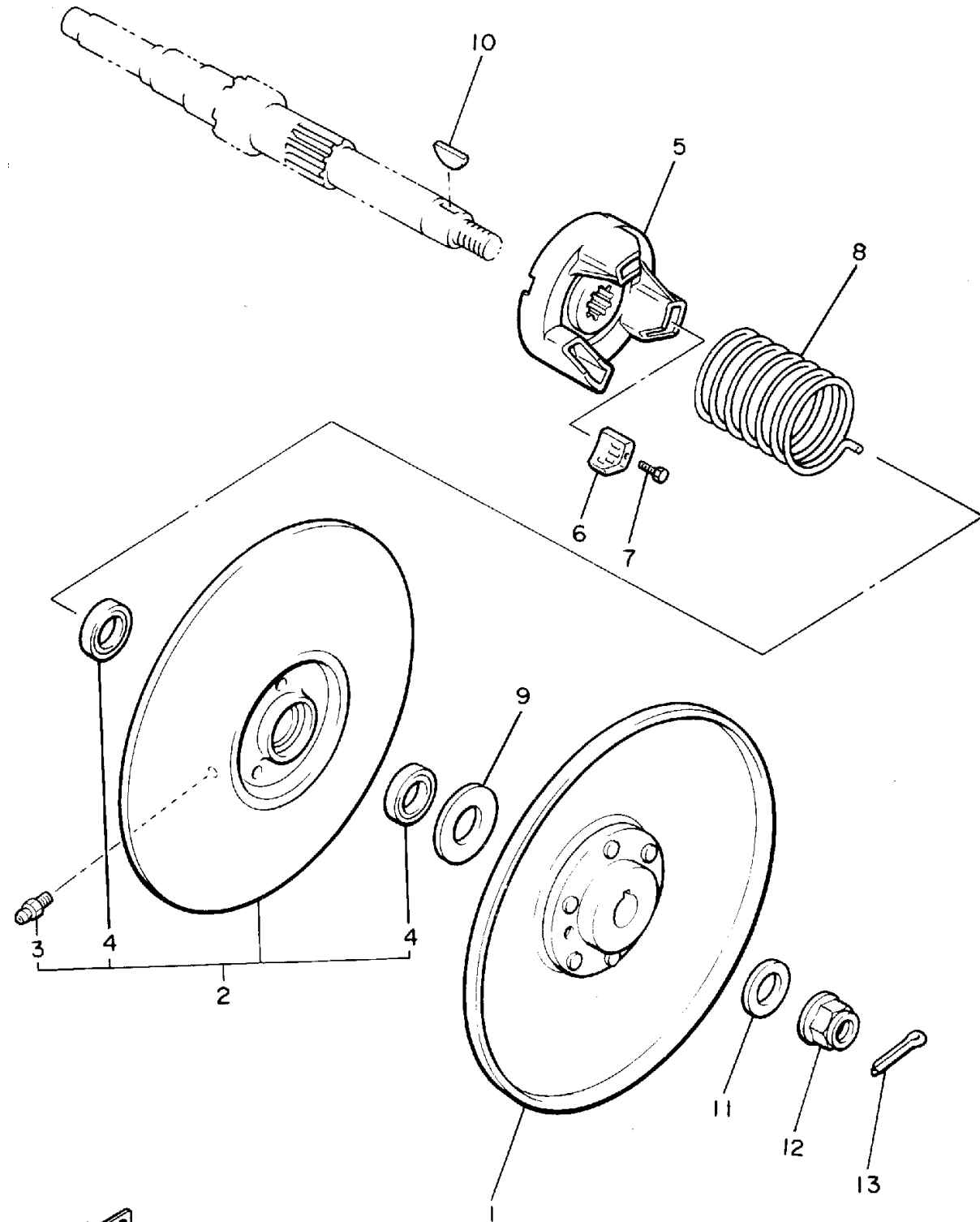


J55100-9190

G9AG_AH_AJ_AK_AM

C2

SECONDARY SHEAVE



Ref. No.	Part Number	Description	Qty	Remarks
1	JN6-G6260-00-00	SECONDARY FIXED SHEAVE COMP	1	
2	JN6-G6270-KT-00	SECONDARY SLIDING SHEAVE COMP.	1	INCLUDES BUSHING
3	93700-06004-00	. NIPPLE, GREASE	1	
4	93102-20309-00	. OIL SEAL	2	
5	JH2-46284-00-00	SEAT, SECONDARY SPRING .	1	
6	JN6-E7688-00-00	SHOE, RAMP	3	
7	90110-04207-00	BOLT (91316-04025-00)	3	
8	90508-45679-00	SPRING, TORSION	1	
9	90202-20130-00	WASHER, PLATE	1	
10	90280-05022-00	KEY, WOODRUFF	1	
11	90201-12588-00	WASHER, PLATE	1	
12	95601-12200-00	NUT, SELF-LOCKING	1	
13	91401-25030-00	PIN, COTTER	1	

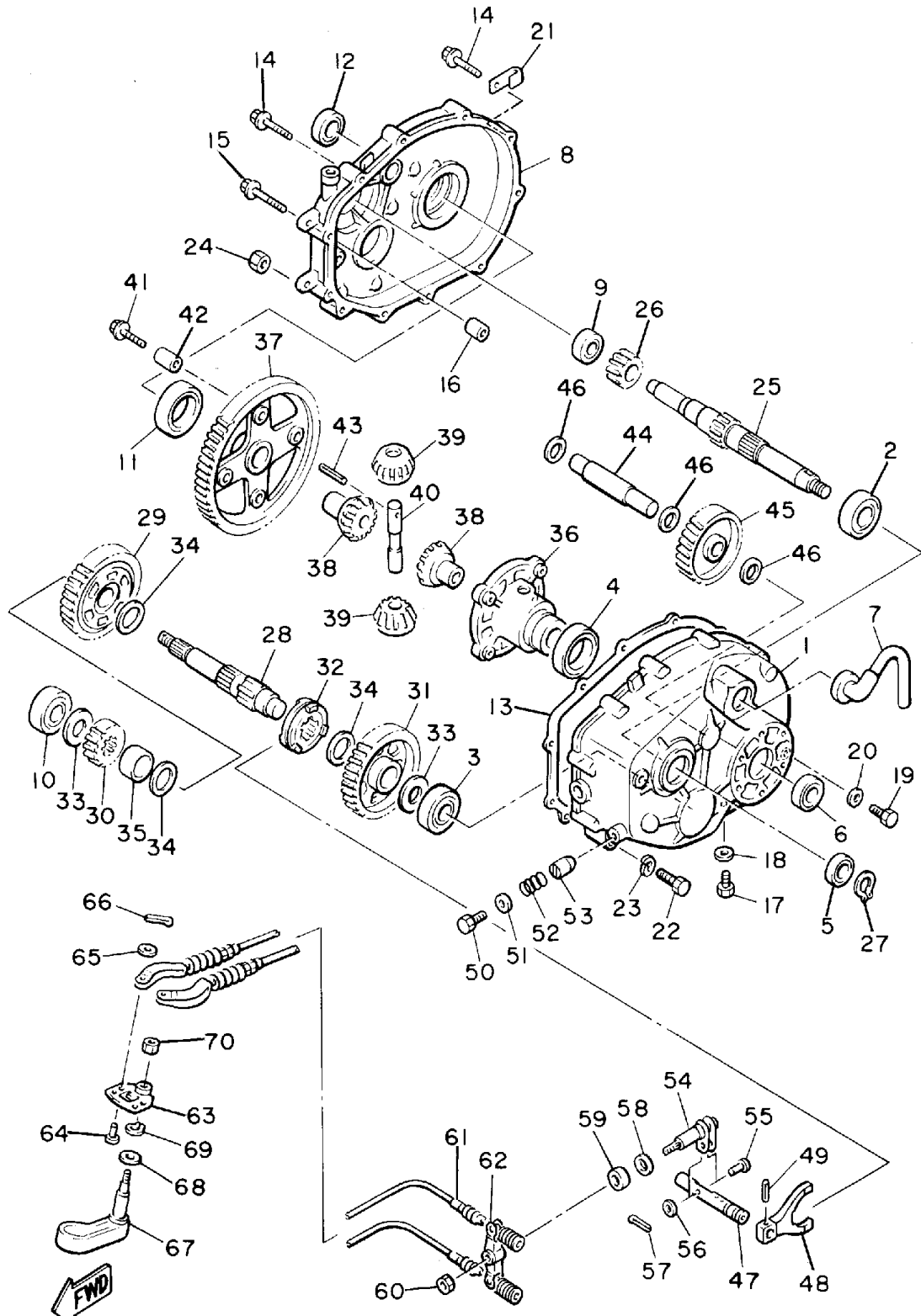
CONTENTS

ACCELERATOR	B12
AIR SHROUD FAN	A5
BODY	C9-10
BODY 2	C11-12,D1
BODY FITTING	D2-3
BRAKE	B8-9
BRAKE 2	B10
BRAKE 3	B11
BUMPER	C8
CAMSHAFT VALVE	A4
CARBURETOR	A8
CARRIER	D4-5
CRANKCASE	A10-11
CRANKSHAFT PISTON	A3
CYLINDER	A2
ELECTRICAL 1	D9
ELECTRICAL 2	D10-11
ENGINE BRACKET	A12
EXHAUST	A9
FRAME	B2
FRONT SUSPENSION WHEEL	B3-4
FUEL TANK	B7
GOVERNOR	C1
INTAKE	A6-7
PRIMARY SHEAVE	C2
REAR ARM SUSPENSION	B1
REAR AXLE WHEEL	C7
SEAT	D6
SECONDARY SHEAVE	C3
STARTING MOTOR	D7-8
STEERING	B5-6
TRANSMISSION 1	C4-6
-MODELS IN THIS CATALOG	D12



IG5100-3210

TRANSMISSION 1



J55100-9210

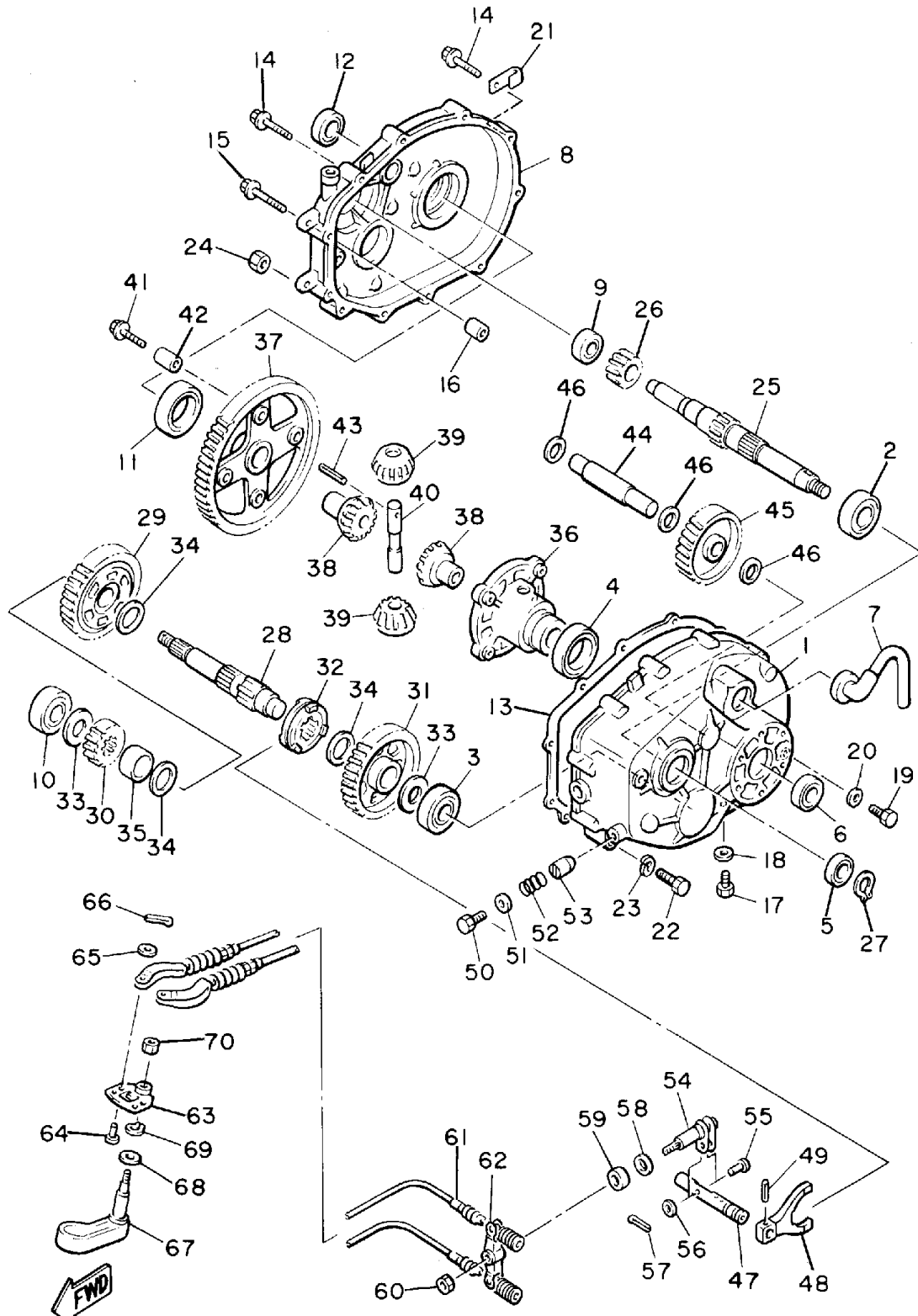
Ref. No.	Part Number	Description	Qty	Remarks
1	J38-46311-00-00	CASE, TRANSMISSION 1	1	
2	93306-20541-00	BEARING (B6205)	1	
3	93306-20421-00	BEARING	1	
4	93306-00803-00	BEARING (B6008)	1	
5	93102-25017-00	OIL SEAL	1	
6	93102-22189-00	OIL SEAL	1	
7	835-47559-00-00	CAP 2	1	
8	J38-46312-01-00	CASE, TRANSMISSION 2	1	
9	93306-20324-00	BEARING	1	
10	93306-20421-00	BEARING	1	
11	93306-00803-00	BEARING (B6008)	1	
12	93102-22189-00	OIL SEAL	1	
13	J38-46319-01-00	GASKET	1	
14	95811-08040-00	BOLT, FLANGE	8	
15	95811-08050-00	BOLT, FLANGE (95823-08050-00)	2	
16	99510-12016-00	PIN, DOWEL	2	
17	90340-14036-00	PLUG, STRAIGHT SCREW	1	
18	90430-14043-00	GASKET	1	
19	90101-08344-00	BOLT	1	
20	90201-08087-00	WASHER, PLATE	1	
21	90465-06100-00	CLAMP	1	
22	97022-08075-00	BOLT	1	
23	92902-08100-00	WASHER, SPRING	1	
24	95333-08600-00	NUT	1	
25	J38-46321-02-00	SHAFT, INPUT	1	
26	J38-46331-01-00	GEAR, INPUT 1	1	
27	93410-25017-00	CIRCLIP	1	
28	J38-46351-00-00	SHAFT, COUNTER	1	
29	J38-46361-01-00	GEAR, COUNTER 1	1	

CONTENTS

ACCELERATOR	B12
AIR SHROUD FAN	A5
BODY	C9-10
BODY 2	C11-12,D1
BODY FITTING	D2-3
BRAKE	B8-9
BRAKE 2	B10
BRAKE 3	B11
BUMPER	C8
CAMSHAFT VALVE	A4
CARBURETOR	A8
CARRIER	D4-5
CRANKCASE	A10-11
CRANKSHAFT PISTON	A3
CYLINDER	A2
ELECTRICAL 1	D9
ELECTRICAL 2	D10-11
ENGINE BRACKET	A12
EXHAUST	A9
FRAME	B2
FRONT SUSPENSION WHEEL	B3-4
FUEL TANK	B7
GOVERNOR	C1
INTAKE	A6-7
PRIMARY SHEAVE	C2
REAR ARM SUSPENSION	B1
REAR AXLE WHEEL	C7
SEAT	D6
SECONDARY SHEAVE	C3
STARTING MOTOR	D7-8
STEERING	B5-6
TRANSMISSION 1	C4-6
-MODELS IN THIS CATALOG	D12

CONTINUED ON NEXT FRAME >

TRANSMISSION 1



J55100-9210

Ref. No.	Part Number	Description	Qty	Remarks
30	J38-46362-00-00	GEAR, COUNTER 2	1	
31	J38-46363-00-00	GEAR, REVERSE	1	
32	J38-4636A-00-00	DOG, CLUTCH	1	
33	90201-204K8-00	WASHER, PLATE	2	
34	90201-257J2-00	WASHER, PLATE	3	
35	90387-252M8-00	COLLAR	1	
36	J38-46411-01-00	CASE, DIFFERENTIAL	1	
37	J38-46421-01-00	GEAR, RING	1	
38	J38-46414-00-00	GEAR, DIFFERENTIAL SIDE	2	
39	J38-46415-00-00	PINION, DIFFERENTIAL	2	
40	J38-46417-02-00	PIN, DIFFERENTIAL	1	
41	90105-08390-00	BOLT, WASHER BASED	4	
42	91812-16001-00	PIN, DOWEL	2	
43	91609-40040-00	PIN, SPRING	1	
44	J38-46348-00-00	SHAFT 2	1	
45	J38-46356-00-00	GEAR, IDLER	1	
46	90201-17713-00	WASHER, PLATE	3	
47	J38-4633A-00-00	BAR, SHIFT FORK GUIDE	1	
48	J38-46338-00-00	FORK, SHIFT	1	
49	91609-40020-00	PIN, SPRING	1	
50	90101-08344-00	BOLT	1	
51	90201-08087-00	WASHER, PLATE	1	
52	90501-10060-00	SPRING, SCREW	1	
53	90249-07215-00	PIN	1	
54	J38-46384-00-00	LEVER, SHIFT 3	1	
55	91701-06022-00	PIN, CLEVIS	1	
56	92990-06200-00	WASHER, PLAIN	1	
57	91490-20020-00	PIN, COTTER	1	
58	90201-12166-00	WASHER, PLATE	1	
59	93102-12224-00	OIL SEAL	1	

CONTENTS

ACCELERATOR	B12
AIR SHROUD FAN	A5
BODY	C9-10
BODY 2	C11-12,D1
BODY FITTING	D2-3
BRAKE	B8-9
BRAKE 2	B10
BRAKE 3	B11
BUMPER	C8
CAMSHAFT VALVE	A4
CARBURETOR	A8
CARRIER	D4-5
CRANKCASE	A10-11
CRANKSHAFT PISTON	A3
CYLINDER	A2
ELECTRICAL 1	D9
ELECTRICAL 2	D10-11
ENGINE BRACKET	A12
EXHAUST	A9
FRAME	B2
FRONT SUSPENSION WHEEL	B3-4
FUEL TANK	B7
GOVERNOR	C1
INTAKE	A6-7
PRIMARY SHEAVE	C2
REAR ARM SUSPENSION	B1
REAR AXLE WHEEL	C7
SEAT	D6
SECONDARY SHEAVE	C3
STARTING MOTOR	D7-8
STEERING	B5-6
TRANSMISSION 1	C4-6
-MODELS IN THIS CATALOG	D12

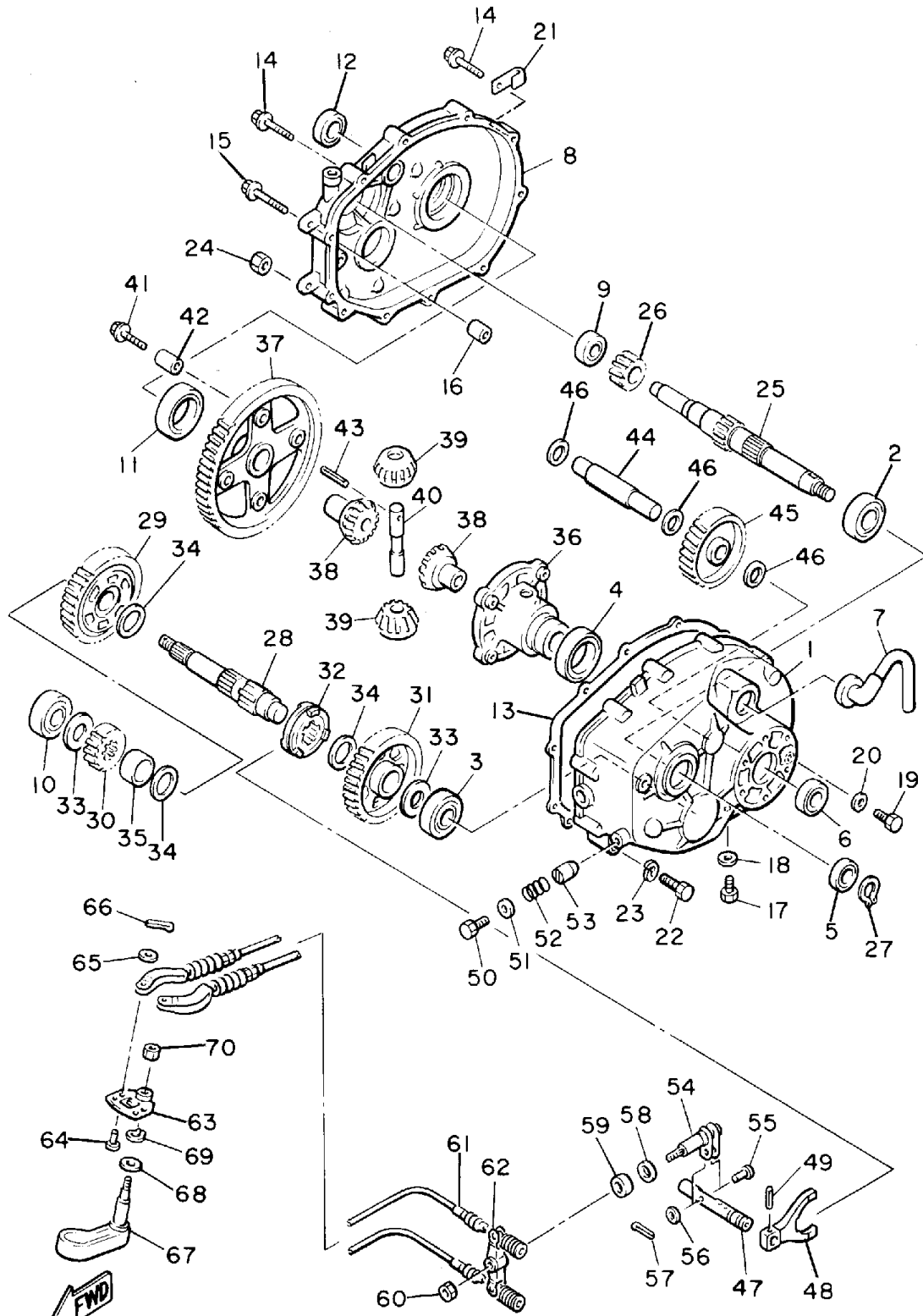
CONTINUED ON NEXT FRAME ►

TRANSMISSION 1

Ref. No.	Part Number	Description	Qty	Remarks
60	95611-08100-00	NUT, U	1	
61	J55-G6371-00-00	SHAFT WIRE	2	
62	J55-G6383-00-00	LEVER, SHIFT 2	1	
63	JG5-46382-00-00	LEVER, SHIFT 1	1	
64	91702-06014-00	PIN	2	
65	92990-06600-00	WASHER, PLATE	2	
66	91490-20020-00	PIN, COTTER	2	
67	J38-46381-00-00	KNOB, SHIFT	1	
68	90201-12474-00	WASHER, PLATE	1	
69	99001-08600-00	CIRCLIP	1	
70	95611-08100-00	NUT, U	1	

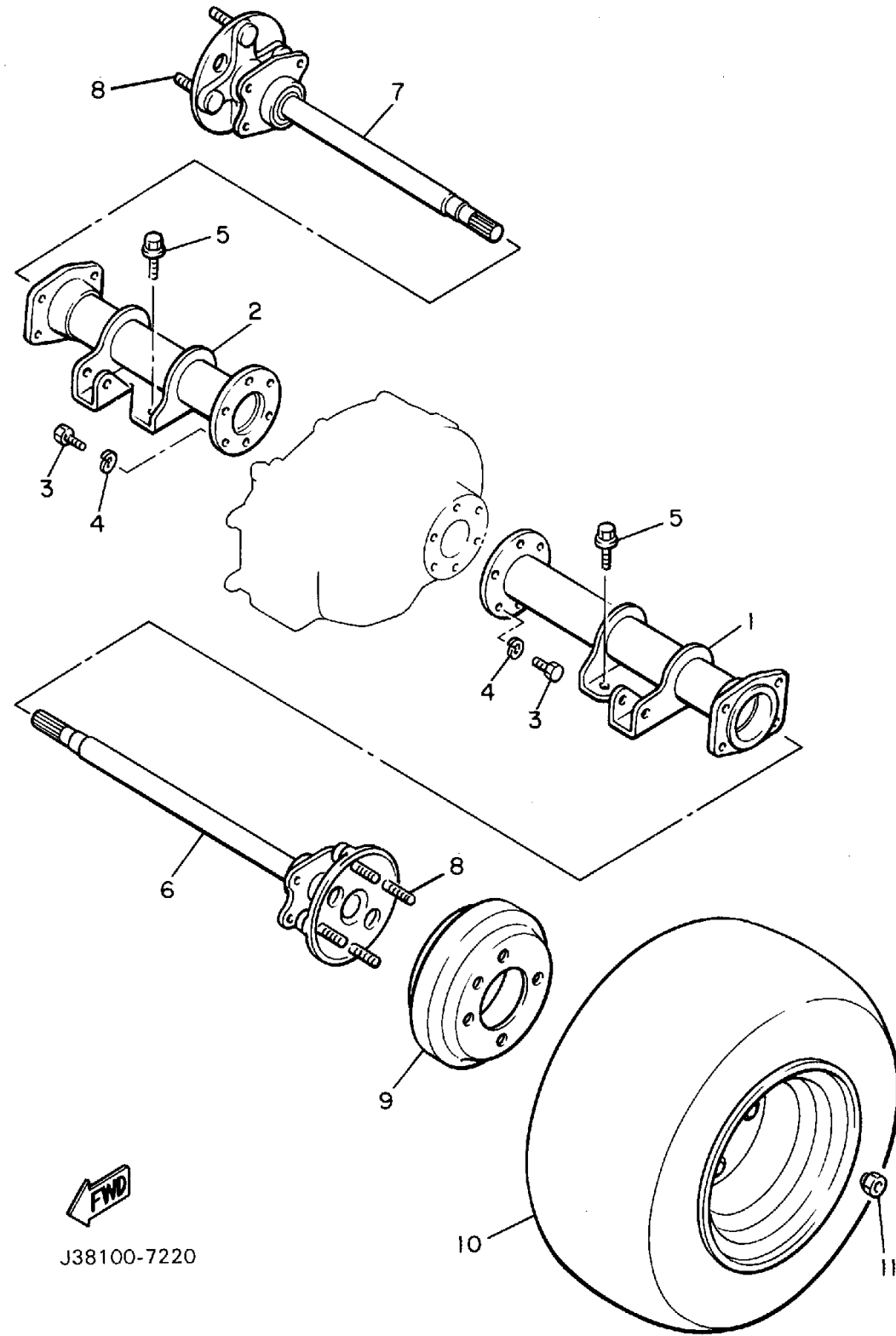
CONTENTS

ACCELERATOR	B12
AIR SHROUD FAN	A5
BODY	C9-10
BODY 2	C11-12,D1
BODY FITTING	D2-3
BRAKE	B8-9
BRAKE 2	B10
BRAKE 3	B11
BUMPER	C8
CAMSHAFT VALVE	A4
CARBURETOR	A8
CARRIER	D4-5
CRANKCASE	A10-11
CRANKSHAFT PISTON	A3
CYLINDER	A2
ELECTRICAL 1	D9
ELECTRICAL 2	D10-11
ENGINE BRACKET	A12
EXHAUST	A9
FRAME	B2
FRONT SUSPENSION WHEEL	B3-4
FUEL TANK	B7
GOVERNOR	C1
INTAKE	A6-7
PRIMARY SHEAVE	C2
REAR ARM SUSPENSION	B1
REAR AXLE WHEEL	C7
SEAT	D6
SECONDARY SHEAVE	C3
STARTING MOTOR	D7-8
STEERING	B5-6
TRANSMISSION 1	C4-6
-MODELS IN THIS CATALOG	D12



J55100-9210

REAR AXLE WHEEL



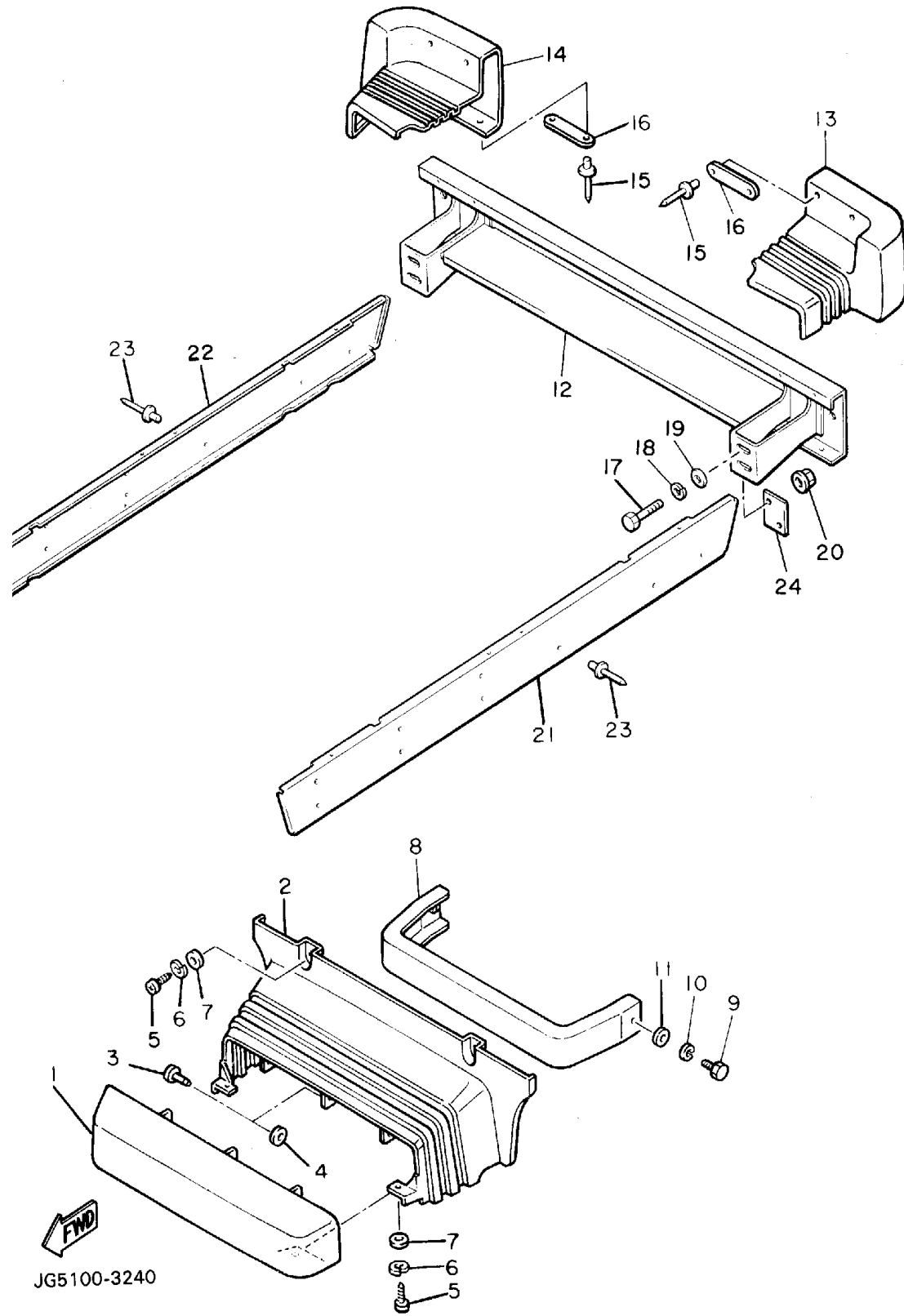
J38100-7220

Ref. No.	Part Number	Description	Qty	Remarks
1	J38-46540-01-00	REAR AXLE HOUSING COMP.	1	
2	J38-46550-01-00	REAR AXLE HOUSING	1	
3	97011-08025-00	BOLT	12	
4	92902-08100-00	WASHER, SPRING	12	
5	95811-10020-00	BOLT, FLANGE (95822-10020-00)	8	
6	J38-46510-00-00	REAR AXLE SHAFT COMP. ...	1	
7	J38-46520-00-00	REAR AXLE SHAFT COMP. 2 .	1	
8	90114-12004-00	. BOLT, RIBBED NECK	8	4 PER AXLE
9	J55-G6521-00-00	DRUM	2	
10	JG5-F5100-10-00	FRONT WHEEL ASSY-G9	2	
11	90179-12262-00	NUT	8	

CONTENTS

ACCELERATOR	B12
AIR SHROUD FAN	A5
BODY	C9-10
BODY 2	C11-12,D1
BODY FITTING	D2-3
BRAKE	B8-9
BRAKE 2	B10
BRAKE 3	B11
BUMPER	C8
CAMSHAFT VALVE	A4
CARBURETOR	A8
CARRIER	D4-5
CRANKCASE	A10-11
CRANKSHAFT PISTON	A3
CYLINDER	A2
ELECTRICAL 1	D9
ELECTRICAL 2	D10-11
ENGINE BRACKET	A12
EXHAUST	A9
FRAME	B2
FRONT SUSPENSION WHEEL	B3-4
FUEL TANK	B7
GOVERNOR	C1
INTAKE	A6-7
PRIMARY SHEAVE	C2
REAR ARM SUSPENSION	B1
REAR AXLE WHEEL	C7
SEAT	D6
SECONDARY SHEAVE	C3
STARTING MOTOR	D7-8
STEERING	B5-6
TRANSMISSION 1	C4-6
-MODELS IN THIS CATALOG	D12

BUMPER



Ref. No.	Part Number	Description	Qty	Remarks
1	J55-K8162-00-00	PAD, FRONT BUMPER	1	
2	J55-K8163-00-00	COVER, BUMPER	1	
3	90269-06028-00	RIVET	3	
4	90201-076J4-00	WASHER, PLATE	3	
5	98506-05020-00	SCREW, PAN HEAD	4	
6	92906-05100-00	WASHER, SPRING	4	
7	90201-05033-00	WASHER, PLATE	4	
8	J55-K7511-00-00	BUMPER, FRONT 1	1	
9	97011-08016-00	BOLT	2	
10	92902-08100-00	WASHER, SPRING	2	
11	92990-08600-00	WASHER, PLATE	2	
12	JG5-K8107-00-00	BUMPER SUB-ASSEMBLY, REAR	1	
13	J55-K8167-00-00	BUMPER, RUBBER 1	1	
14	J55-K8168-00-00	BUMPER, RUBBER 2	1	
15	90267-40077-00	RIVET, BLIND	8	
16	J17-77525-00-00	WASHER 1	4	
17	97026-08050-00	BOLT	4	
18	92906-08100-00	WASHER, SPRING	4	
19	92906-08600-00	WASHER	4	
20	95706-08500-00	NUT, FLANGE	4	
21	JG5-K8183-00-00	PLATE, SIDE SILL (L.H)	1	
22	JG5-K8184-00-00	PLATE, SIDE SILL (R.H)	1	
23	90267-48838-00	RIVET	18	
24	JG5-K7527-00-00	PLATE, BACK UP	2	JG5-200101~

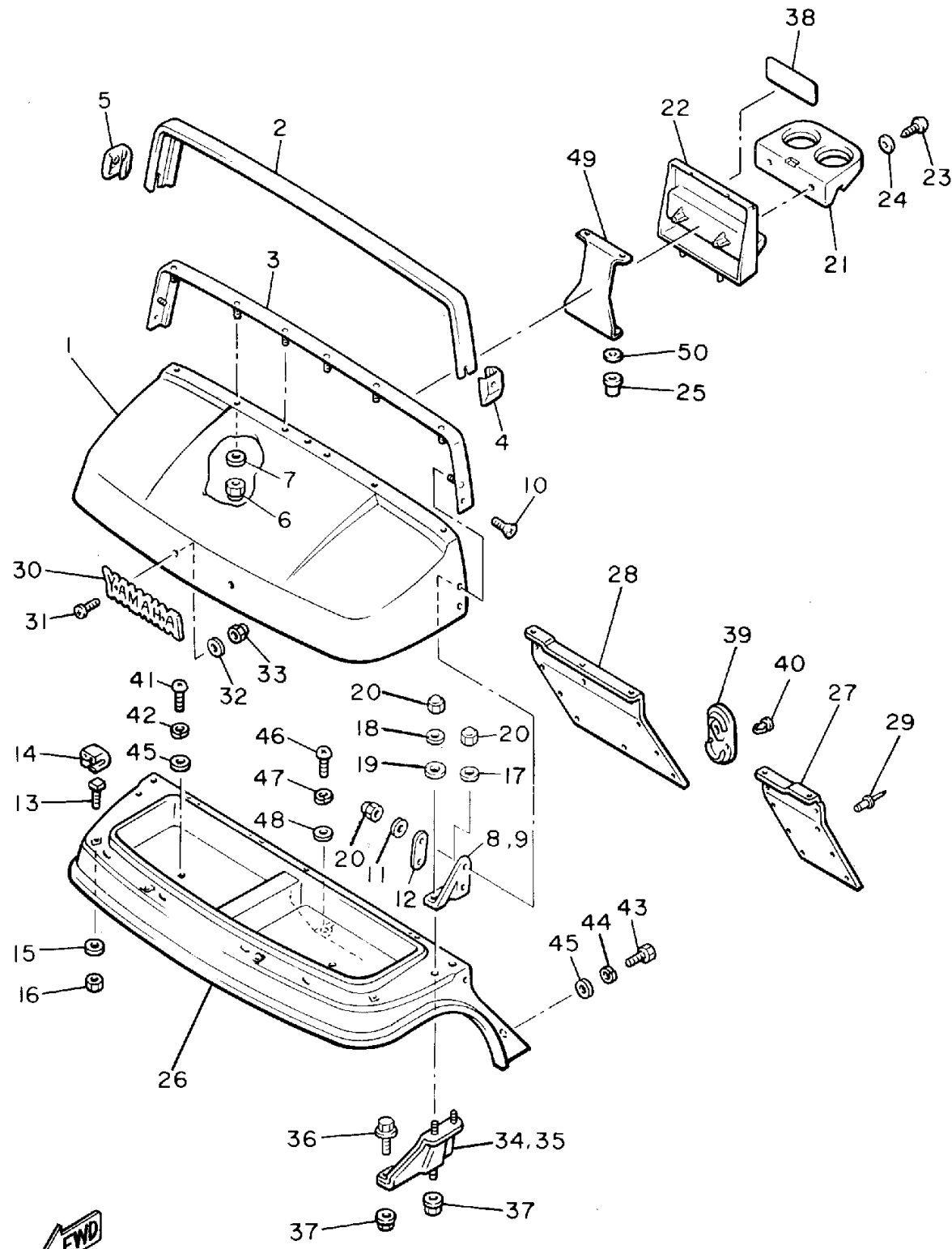
CONTENTS

ACCELERATOR	B12
AIR SHROUD FAN	A5
BODY	C9-10
BODY 2	C11-12,D1
BODY FITTING	D2-3
BRAKE	B8-9
BRAKE 2	B10
BRAKE 3	B11
BUMPER	C8
CAMSHAFT VALVE	A4
CARBURETOR	A8
CARRIER	D4-5
CRANKCASE	A10-11
CRANKSHAFT PISTON	A3
CYLINDER	A2
ELECTRICAL 1	D9
ELECTRICAL 2	D10-11
ENGINE BRACKET	A12
EXHAUST	A9
FRAME	B2
FRONT SUSPENSION WHEEL	B3-4
FUEL TANK	B7
GOVERNOR	C1
INTAKE	A6-7
PRIMARY SHEAVE	C2
REAR ARM SUSPENSION	B1
REAR AXLE WHEEL	C7
SEAT	D6
SECONDARY SHEAVE	C3
STARTING MOTOR	D7-8
STEERING	B5-6
TRANSMISSION 1	C4-6
-MODELS IN THIS CATALOG	D12

JG5100-3240

G9AG_AH_AJ_AK_AM

BODY



JG5100-3250

G9AG_AH_AJ_AK_AM

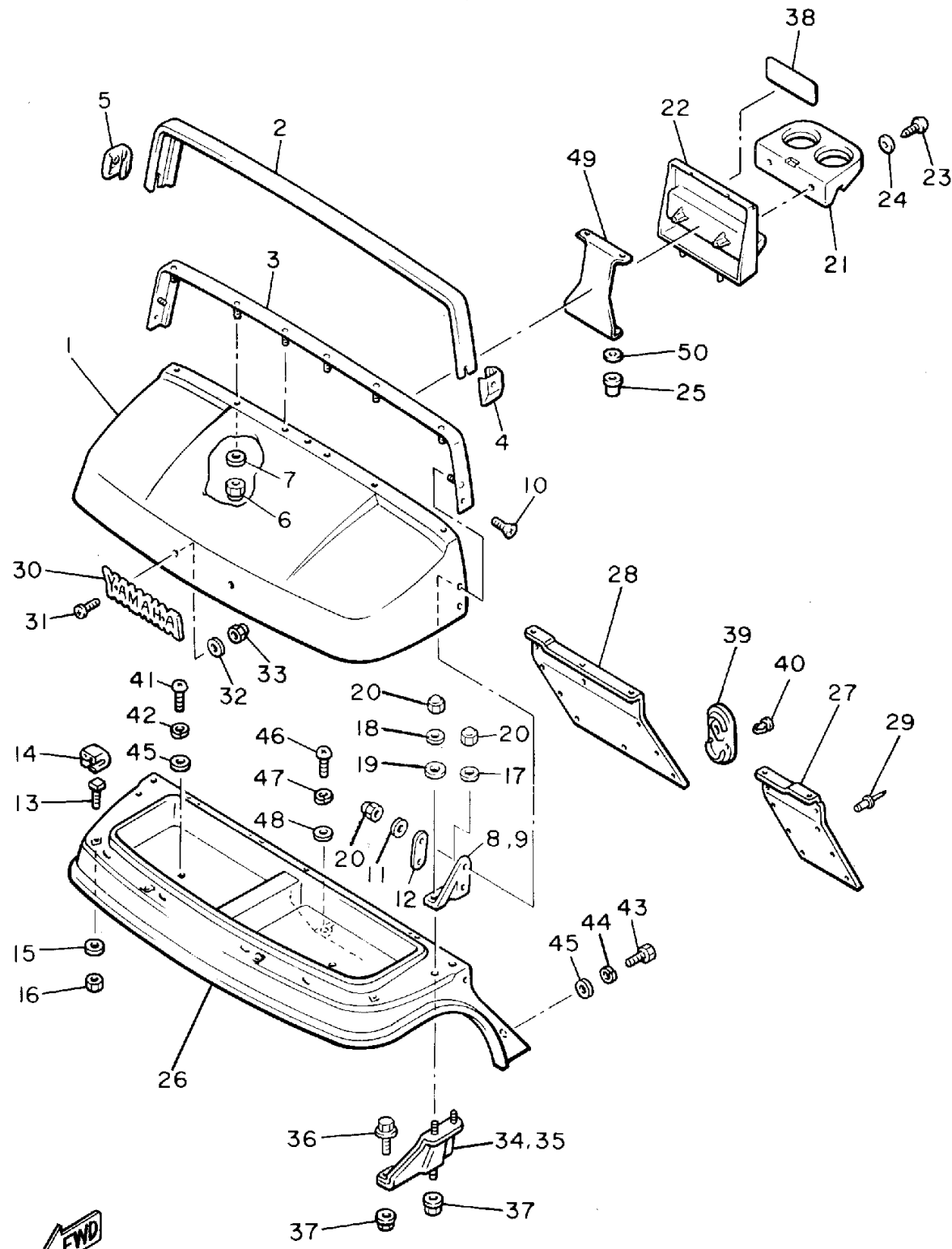
Ref. No.	Part Number	Description	Qty	Remarks
1	J55-K8116-00-00	COWL, FRONT UPPER	1	
2	JG5-K811V-00-00	PROTECTOR 1	1	
3	JG5-K8261-01-00	PLATE, BODY PROTECT 1 (JG5-K8261-00-00)	1	
4	JG5-K818E-00-00	CAP, PROTECTOR END 1	1	
5	JG5-K818F-00-00	CAP, PROTECTOR END 2	1	
6	95601-06200-00	NUT, U-FLANGE	6	
7	90201-06059-00	WASHER, PLATE	6	
8	JG5-K811E-00-00	STAY, UPPER COWL (LH)	1	
9	JG5-K811F-00-00	STAY, UPPER COWL (RH)	1	
10	90151-06803-00	SCREW, COUNTERSUNK	2	
11	92990-06200-00	WASHER, PLAIN	4	
12	JG5-K8117-00-00	PLATE 1	2	
13	J38-7811G-00-00	BOLT, COWL FITTING	4	
14	J38-7811H-00-00	RETAINER, COWL FITTING	4	
15	90201-065F3-00	WASHER, PLATE	4	
16	95601-06100-00	NUT, U	4	
17	90201-062G3-00	WASHER, PLATE	2	
18	92990-06200-00	WASHER, PLAIN	2	
19	90202-06172-00	WASHER, PLATE	2	
20	J55-K811B-00-00	NUT, CAP	8	
21	JF2-K835E-00-00	HOLDER, BEVERAGE	1	
22	JG5-K835G-00-00	HOUSING, HOLDER	1	
23	97702-60130-00	SCREW, TAPPING	2	
24	90201-060A3-00	WASHER, PLATE	2	
25	90480-12355-00	GROMMET	2	
26	JG5-K8115-00-00	COWL, FRONT	1	
27	JG5-K8231-00-00	MAT, MAIN FLOOR 1	1	
28	JG5-K8232-00-00	MAT, MAIN FLOOR 2	1	
29	90267-63047-00	RIVET, BLIND	16	

CONTINUED ON NEXT FRAME >

CONTENTS

ACCELERATOR	B12
AIR SHROUD FAN	A5
BODY	C9-10
BODY 2	C11-12,D1
BODY FITTING	D2-3
BRAKE	B8-9
BRAKE 2	B10
BRAKE 3	B11
BUMPER	C8
CAMSHAFT VALVE	A4
CARBURETOR	A8
CARRIER	D4-5
CRANKCASE	A10-11
CRANKSHAFT PISTON	A3
CYLINDER	A2
ELECTRICAL 1	D9
ELECTRICAL 2	D10-11
ENGINE BRACKET	A12
EXHAUST	A9
FRAME	B2
FRONT SUSPENSION WHEEL	B3-4
FUEL TANK	B7
GOVERNOR	C1
INTAKE	A6-7
PRIMARY SHEAVE	C2
REAR ARM SUSPENSION	B1
REAR AXLE WHEEL	C7
SEAT	D6
SECONDARY SHEAVE	C3
STARTING MOTOR	D7-8
STEERING	B5-6
TRANSMISSION 1	C4-6
-MODELS IN THIS CATALOG	D12

BODY



JG5100-3250

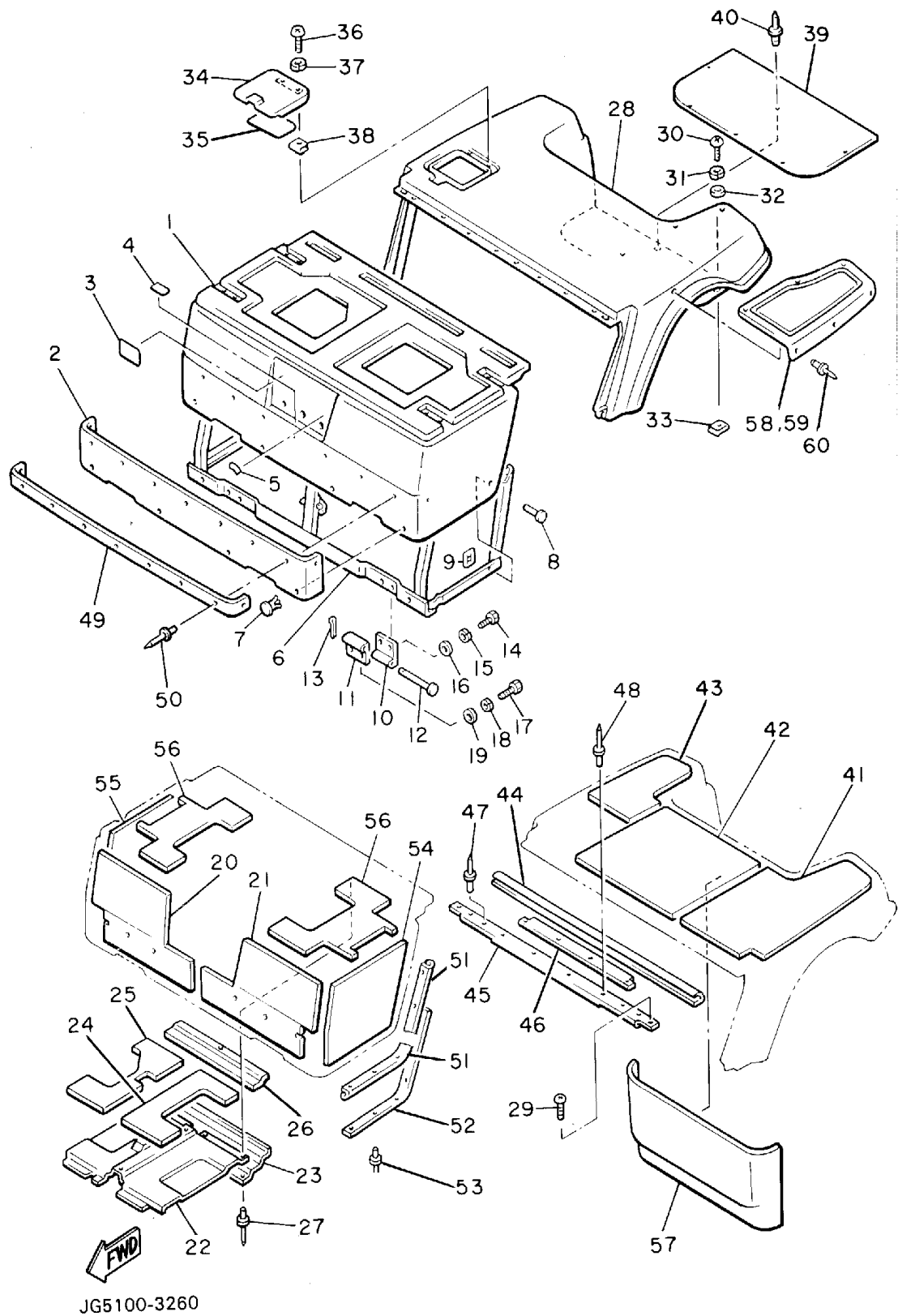
G9AG_AH_AJ_AK_AM

Ref. No.	Part Number	Description	Qty	Remarks
30	J38-24161-00-00	EMBLEM 1	1	
31	90152-04015-00	SCREW, COUNTERSUNK	2	
32	92906-04200-00	WASHER, PLAIN	2	
33	95606-04100-00	NUT, U	2	
34	J38-7812E-01-00	SUPPORT, UPPER COWL (L.H.)	1	
35	J38-7812F-01-00	SUPPORT, UPPER COWL (R.H.)	1	
36	95811-08016-00	BOLT, FLANGE	2	
37	95701-08500-00	NUT, FLANGE (95702-08500-00)	4	
38	J50-77768-00-00	LABEL, WARNING 2	1	UR
39	J38-78273-00-00	COVER, HOLE	1	
40	90269-11042-00	RIVET	2	
41	98580-06020-00	SCREW	2	
42	92995-06100-00	WASHER, SPRING	2	
43	97395-06020-00	BOLT, HEXAGON	2	
44	92995-06100-00	WASHER, SPRING	2	
45	90201-067M9-00	WASHER, PLATE	4	
46	98580-06020-00	SCREW	1	
47	92995-06100-00	WASHER, SPRING	1	
48	90201-06049-00	WASHER, PLATE	1	
49	JG5-K834A-00-00	REINFORCEMENT, HOLDER ..	1	JG5-200101~
50	90183-06071-00	NUT, SPRING	2	JG5-200101~

CONTENTS

ACCELERATOR	B12
AIR SHROUD FAN	A5
BODY	C9-10
BODY 2	C11-12,D1
BODY FITTING	D2-3
BRAKE	B8-9
BRAKE 2	B10
BRAKE 3	B11
BUMPER	C8
CAMSHAFT VALVE	A4
CARBURETOR	A8
CARRIER	D4-5
CRANKCASE	A10-11
CRANKSHAFT PISTON	A3
CYLINDER	A2
ELECTRICAL 1	D9
ELECTRICAL 2	D10-11
ENGINE BRACKET	A12
EXHAUST	A9
FRAME	B2
FRONT SUSPENSION WHEEL	B3-4
FUEL TANK	B7
GOVERNOR	C1
INTAKE	A6-7
PRIMARY SHEAVE	C2
REAR ARM SUSPENSION	B1
REAR AXLE WHEEL	C7
SEAT	D6
SECONDARY SHEAVE	C3
STARTING MOTOR	D7-8
STEERING	B5-6
TRANSMISSION 1	C4-6
-MODELS IN THIS CATALOG	D12

BODY 2



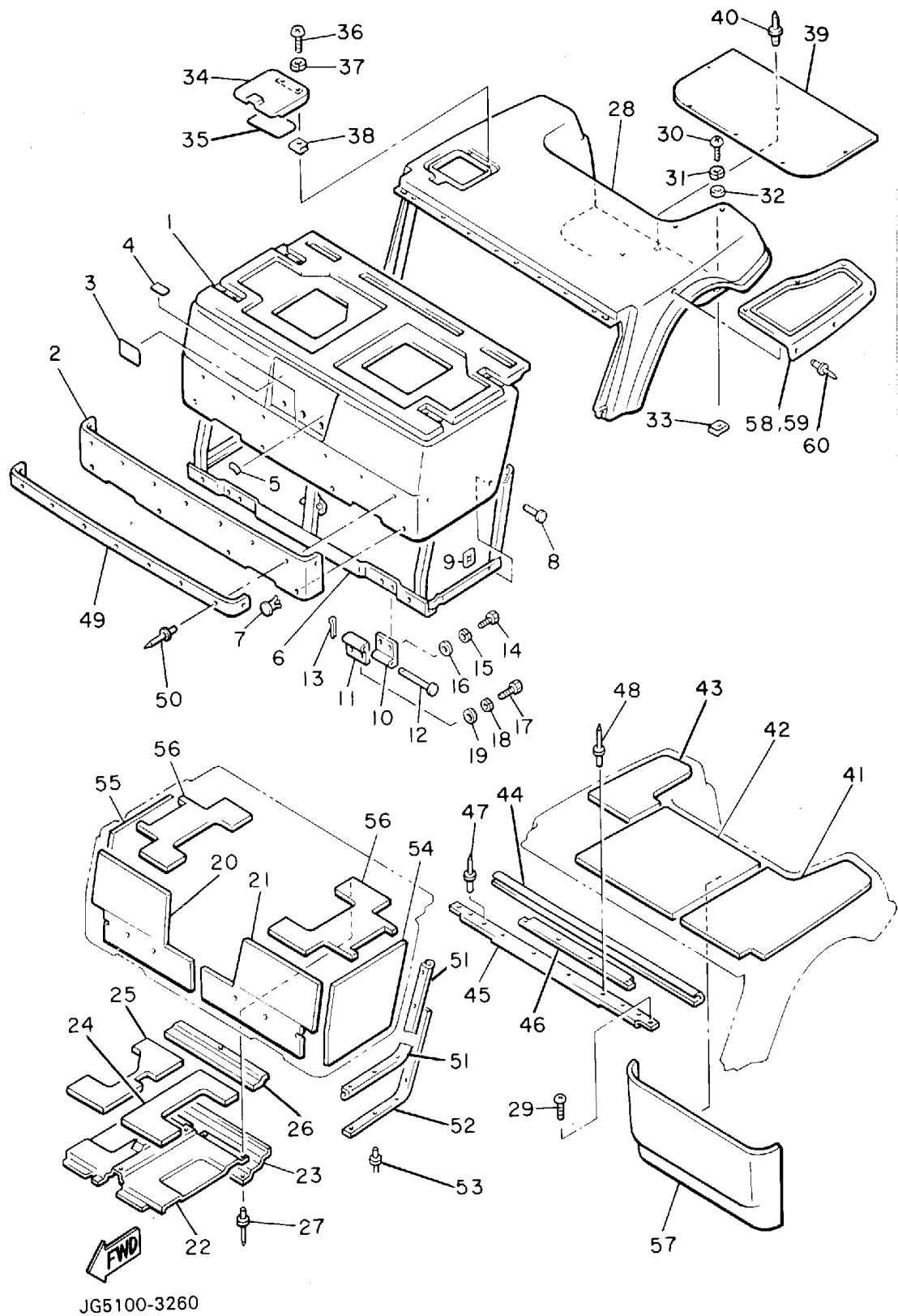
Ref. No.	Part Number	Description	Qty	Remarks
1	J55-K8141-00-00	PANEL, INTERMEDIATE BODY	1	
2	JG5-K814N-00-00	PLATE, ORNAMENT	1	
3	J41-77458-10-00	LABEL, WARNING (J41-77458-00-00-00)	1	UR
4	J38-77741-10-00	INDICATOR 1	1	UR
5	J38-77742-00-00	INDICATOR 2	1	
6	JG5-K8121-01-00	REINFORCEMENT 1	1	
7	90267-63047-00	RIVET, BLIND	4	
8	90338-06169-00	PLUG	2	
9	90183-06071-00	NUT, SPRING	2	
10	J55-K8143-00-00	HINGE, INTERMEDIATE BODY 1	2	
11	J55-K8144-00-00	HINGE, INTERMEDIATE BODY 2	2	
12	91790-06125-00	PIN, CLEVIS	2	
13	91490-20015-00	PIN, COTTER	2	
14	97013-06012-00	BOLT	4	
15	92995-06100-00	WASHER, SPRING	4	
16	92990-06600-00	WASHER, PLATE	4	
17	97011-06020-00	BOLT	4	
18	92995-06100-00	WASHER, SPRING	4	
19	92990-06600-00	WASHER, PLATE	4	
20	J55-K8251-00-00	PAD, SILENCER 1	1	
21	J55-K8252-00-00	PAD, SILENCER 2	1	
22	J55-K8261-00-00	PLATE, BODY PROTECT 1	1	
23	J55-K8262-00-00	PLATE, BODY PROTECT 2	1	
24	J55-K826A-00-00	PAD, BODY PROTECT 1	1	
25	J55-K826E-00-00	PAD, BODY PROTECT 2	1	
26	J55-K826F-00-00	PAD, BODY PROTECT 3	1	
27	90267-40054-00	RIVET, BLIND	10	
28	J55-K8142-00-00	PANEL, REAR BODY	1	

CONTENTS

ACCELERATOR	B12
AIR SHROUD FAN	A5
BODY	C9-10
BODY 2	C11-12,D1
BODY FITTING	D2-3
BRAKE	B8-9
BRAKE 2	B10
BRAKE 3	B11
BUMPER	C8
CAMSHAFT VALVE	A4
CARBURETOR	A8
CARRIER	D4-5
CRANKCASE	A10-11
CRANKSHAFT PISTON	A3
CYLINDER	A2
ELECTRICAL 1	D9
ELECTRICAL 2	D10-11
ENGINE BRACKET	A12
EXHAUST	A9
FRAME	B2
FRONT SUSPENSION WHEEL	B3-4
FUEL TANK	B7
GOVERNOR	C1
INTAKE	A6-7
PRIMARY SHEAVE	C2
REAR ARM SUSPENSION	B1
REAR AXLE WHEEL	C7
SEAT	D6
SECONDARY SHEAVE	C3
STARTING MOTOR	D7-8
STEERING	B5-6
TRANSMISSION 1	C4-6
-MODELS IN THIS CATALOG	D12

CONTINUED ON NEXT FRAME ►

BODY 2



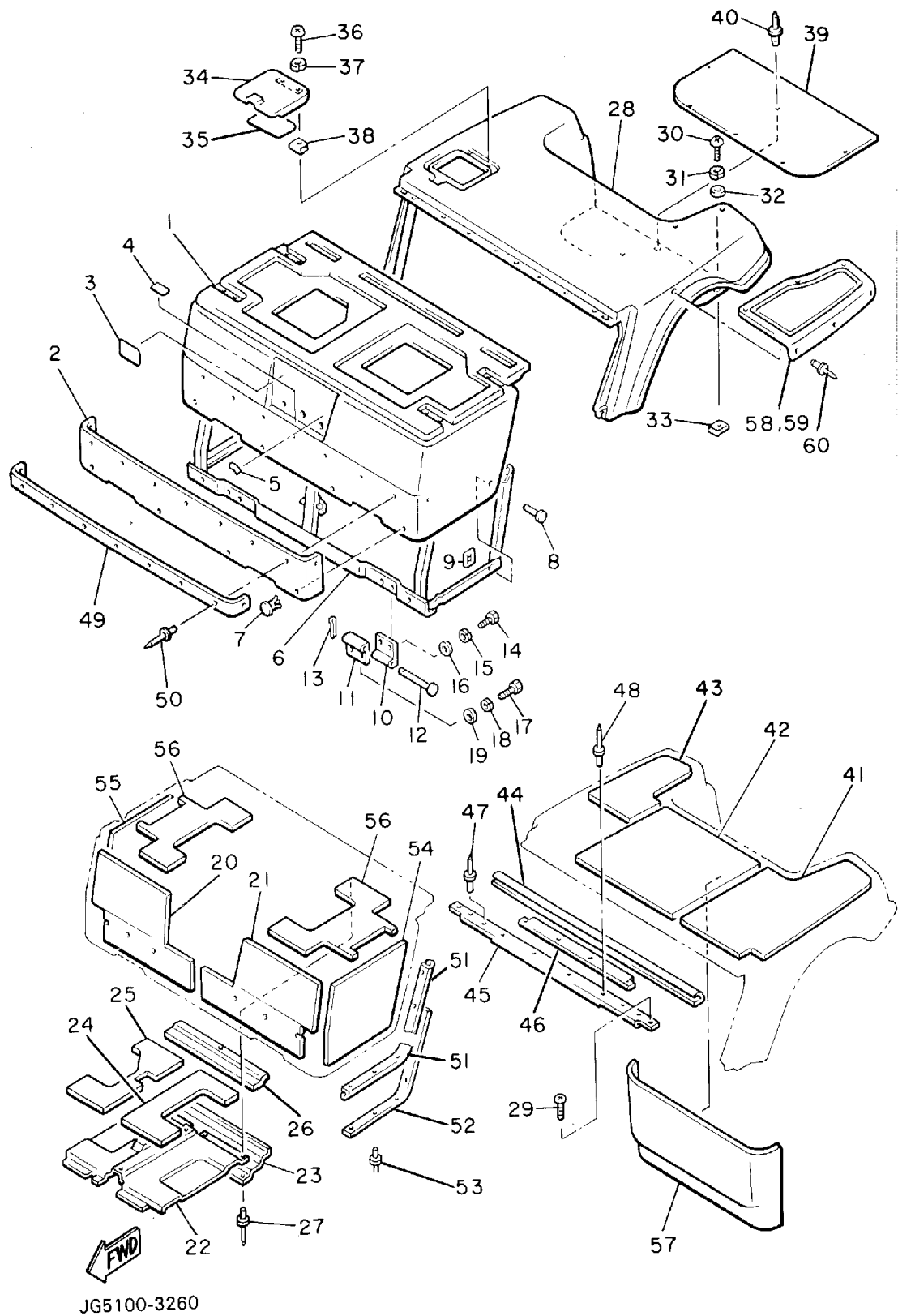
Ref. No.	Part Number	Description	Qty	Remarks
29	95811-06020-00	BOLT, FLANGE	3	
30	98580-06020-00	SCREW	2	
31	92995-06100-00	WASHER, SPRING	2	
32	90201-065F3-00	WASHER, PLATE	2	
33	90183-06028-00	NUT, SPRING	2	
34	J55-K8272-00-00	COVER, FUEL INLET	1	
35	J38-77764-10-00	LABEL, WARNING 4	1	UR
36	98511-04012-00	SCREW, PAN HEAD	2	
37	92901-04100-00	WASHER, SPRING	2	
38	J38-78276-00-00	NUT, INLET FITTING	2	
39	JG5-K8241-00-00	MAT, REAR FLOOR	1	
40	90267-63047-00	RIVET, BLIND	6	
41	J55-K8255-00-00	PAD, SILENCER 5	1	
42	J38-78256-00-00	PAD, SILENCER 6	1	
43	J55-K8257-00-00	PAD, SILENCER 7	1	
44	J38-7814A-00-00	SEAL, BODY UPPER	1	
45	J55-K815F-00-00	PLATE, SEAL SUPPORT 3	1	
46	J38-7826G-00-00	PAD, BODY PROTECT 4	1	
47	90267-40077-00	RIVET, BLIND	4	
48	90267-40129-00	RIVET, BLIND	3	
49	JG5-K824E-01-00	TRIM, REAR BODY (LH)	1	JG5-200101~
50	90267-41164-00	RIVET, BLIND	9	JG5-200101~
51	J38-7814F-10-00	SEAL, BODY SIDE 2	4	JG5-200101~
52	J38-7815A-00-00	PLATE, SEAL SUPPORT 1	1	JG5-200101~
53	90267-40054-00	RIVET, BLIND	12	JG5-200101~
54	J55-K8253-00-00	PAD, SILENCER 3	1	JG5-200101~
55	J55-K8254-00-00	PAD, SILENCER 4	1	JG5-200101~
56	J55-K825K-00-00	PAD, SILENCER 6	2	JG5-200101~
57	J55-K8258-00-00	PAD, SILENCER 8	1	JG5-200101~
58	J55-K8243-00-00	MAT, REAR BODY SIDE (LH)	1	JG5-200101~

CONTENTS

ACCELERATOR	B12
AIR SHROUD FAN	A5
BODY	C9-10
BODY 2	C11-12,D1
BODY FITTING	D2-3
BRAKE	B8-9
BRAKE 2	B10
BRAKE 3	B11
BUMPER	C8
CAMSHAFT VALVE	A4
CARBURETOR	A8
CARRIER	D4-5
CRANKCASE	A10-11
CRANKSHAFT PISTON	A3
CYLINDER	A2
ELECTRICAL 1	D9
ELECTRICAL 2	D10-11
ENGINE BRACKET	A12
EXHAUST	A9
FRAME	B2
FRONT SUSPENSION WHEEL	B3-4
FUEL TANK	B7
GOVERNOR	C1
INTAKE	A6-7
PRIMARY SHEAVE	C2
REAR ARM SUSPENSION	B1
REAR AXLE WHEEL	C7
SEAT	D6
SECONDARY SHEAVE	C3
STARTING MOTOR	D7-8
STEERING	B5-6
TRANSMISSION 1	C4-6
-MODELS IN THIS CATALOG	D12

CONTINUED ON NEXT FRAME ►

BODY 2

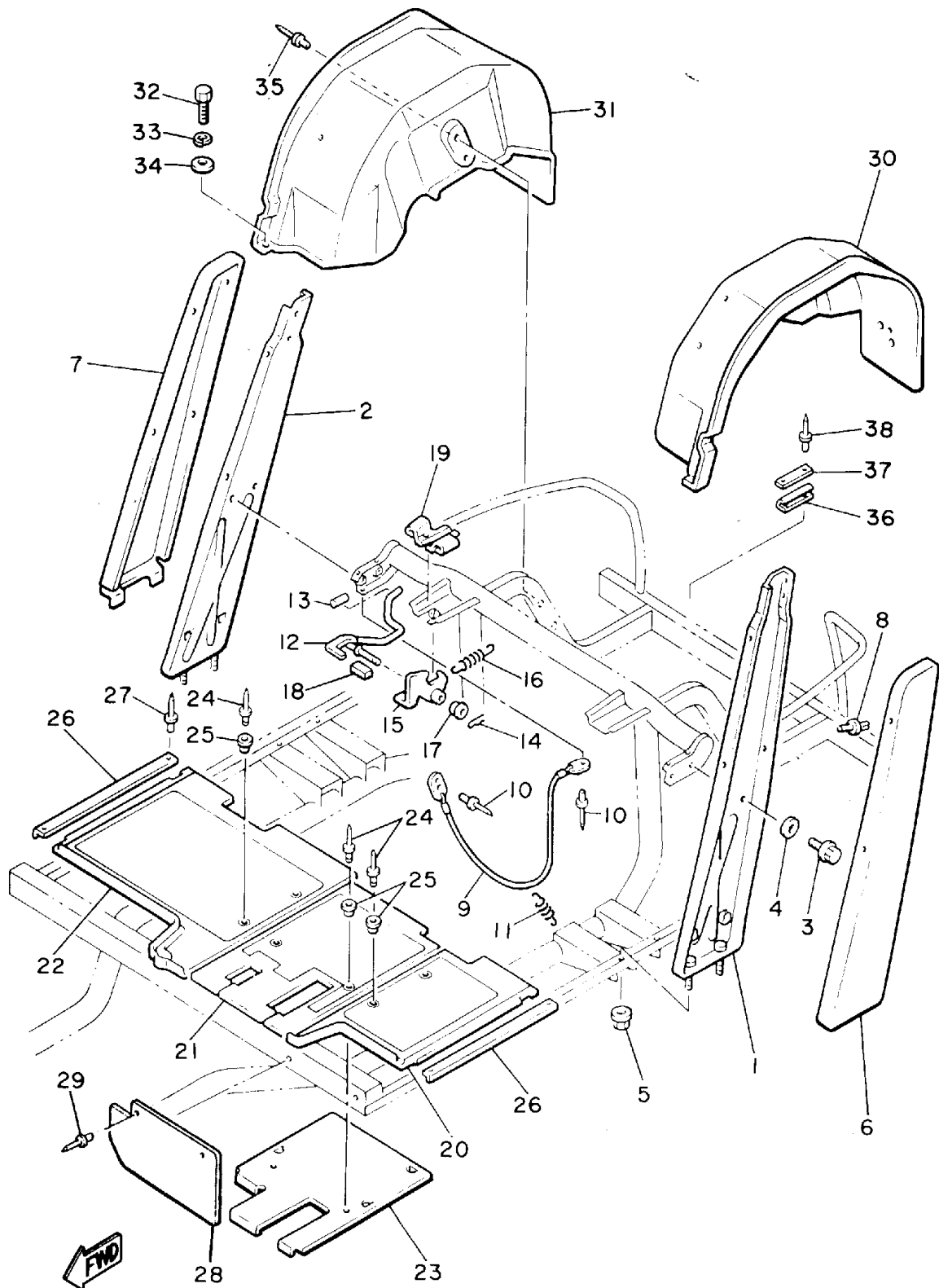


Ref. No.	Part Number	Description	Qty	Remarks
59	J55-K8244-00-00	MAT, REAR BODY SIDE (RH)	1	JG5-200101~
60	90267-63047-00	RIVET, BLIND	12	JG5-200101~

CONTENTS

ACCELERATOR	B12
AIR SHROUD FAN	A5
BODY	C9-10
BODY 2	C11-12,D1
BODY FITTING	D2-3
BRAKE	B8-9
BRAKE 2	B10
BRAKE 3	B11
BUMPER	C8
CAMSHAFT VALVE	A4
CARBURETOR	A8
CARRIER	D4-5
CRANKCASE	A10-11
CRANKSHAFT PISTON	A3
CYLINDER	A2
ELECTRICAL 1	D9
ELECTRICAL 2	D10-11
ENGINE BRACKET	A12
EXHAUST	A9
FRAME	B2
FRONT SUSPENSION WHEEL	B3-4
FUEL TANK	B7
GOVERNOR	C1
INTAKE	A6-7
PRIMARY SHEAVE	C2
REAR ARM SUSPENSION	B1
REAR AXLE WHEEL	C7
SEAT	D6
SECONDARY SHEAVE	C3
STARTING MOTOR	D7-8
STEERING	B5-6
TRANSMISSION 1	C4-6
-MODELS IN THIS CATALOG	D12

BODY FITTING



JG5100-3270

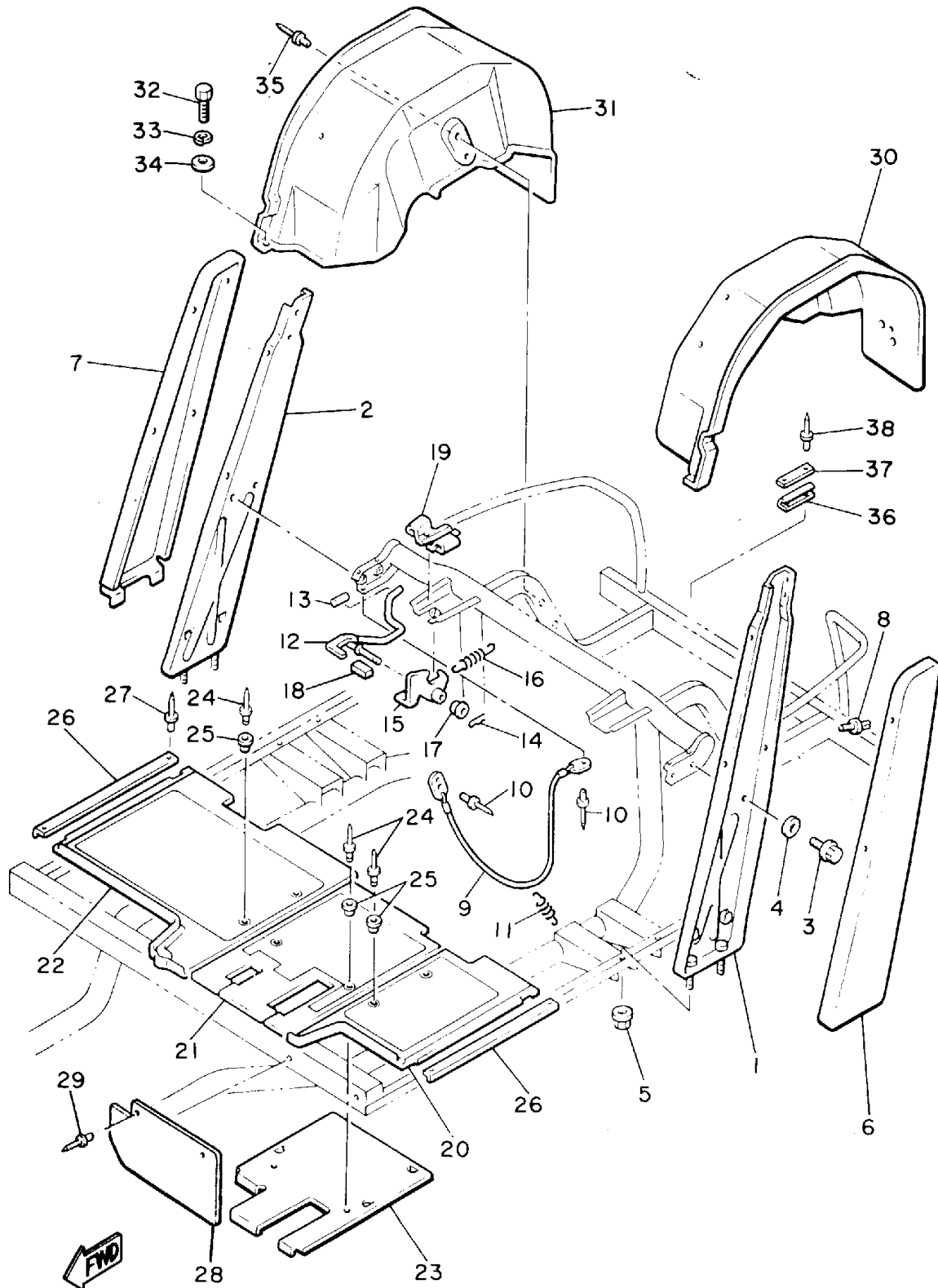
Ref. No.	Part Number	Description	Qty	Remarks
1	JG5-K813A-00-00	PILLAR, SIDE (L.H)	1	
2	JG5-K813E-00-00	PILLAR, SIDE (R.H)	1	
3	95811-08016-00	BOLT, FLANGE	4	
4	90201-08730-00	WASHER, PLATE	4	
5	95701-06500-00	NUT, FLANGE	4	
6	J55-K813F-00-00	COVER, SIDE PILLAR (L.H)	1	
7	J55-K813G-00-00	COVER, SIDE PILLAR (R.H)	1	
8	90267-63134-00	RIVET, BLIND	8	
9	J39-78229-00-00	WIRE, SEAT STOPPER	1	
10	90267-40105-00	RIVET, BLIND	2	
11	90507-08037-00	SPRING, TENSION	1	
12	JG5-K814G-00-00	LEVER, BODY LOCK	1	
13	90445-11147-00	HOSE	1	
14	90468-18008-00	CLIP	1	
15	J38-7814H-01-00	HOOK, BODY LOCK	1	
16	90506-18374-00	SPRING, TENSION	1	
17	J38-7814L-01-00	BUSH, LEVER END	2	
18	J38-7815H-00-00	DAMPER, LOCK	1	
19	J38-78221-00-00	SHEET, BODY MOUNTING 1	2	
20	J55-K8233-00-00	MAT, MAIN FLOOR 3	1	
21	J55-K8234-00-00	MAT, MAIN FLOOR 4	1	
22	J55-K8235-00-00	SHEET, MAIN FLOOR	1	
23	J55-K8271-00-00	SERVICE LID, PEDAL	1	
24	90267-48086-00	RIVET, BLIND	6	
25	90387-062M9-00	COLLAR	6	
26	J38-78215-00-00	PLATE, SIDE TRIM	2	
27	90267-40837-00	RIVET, BLIND	4	
28	JG5-K8187-00-00	FLAP, FRONT FENDER	2	
29	90267-48101-00	RIVET, BLIND	4	
30	JG5-K8191-00-00	PANEL, REAR FENDER 1	1	

CONTENTS

ACCELERATOR	B12
AIR SHROUD FAN	A5
BODY	C9-10
BODY 2	C11-12,D1
BODY FITTING	D2-3
BRAKE	B8-9
BRAKE 2	B10
BRAKE 3	B11
BUMPER	C8
CAMSHAFT VALVE	A4
CARBURETOR	A8
CARRIER	D4-5
CRANKCASE	A10-11
CRANKSHAFT PISTON	A3
CYLINDER	A2
ELECTRICAL 1	D9
ELECTRICAL 2	D10-11
ENGINE BRACKET	A12
EXHAUST	A9
FRAME	B2
FRONT SUSPENSION WHEEL	B3-4
FUEL TANK	B7
GOVERNOR	C1
INTAKE	A6-7
PRIMARY SHEAVE	C2
REAR ARM SUSPENSION	B1
REAR AXLE WHEEL	C7
SEAT	D6
SECONDARY SHEAVE	C3
STARTING MOTOR	D7-8
STEERING	B5-6
TRANSMISSION 1	C4-6
-MODELS IN THIS CATALOG	D12

CONTINUED ON NEXT FRAME ►

BODY FITTING



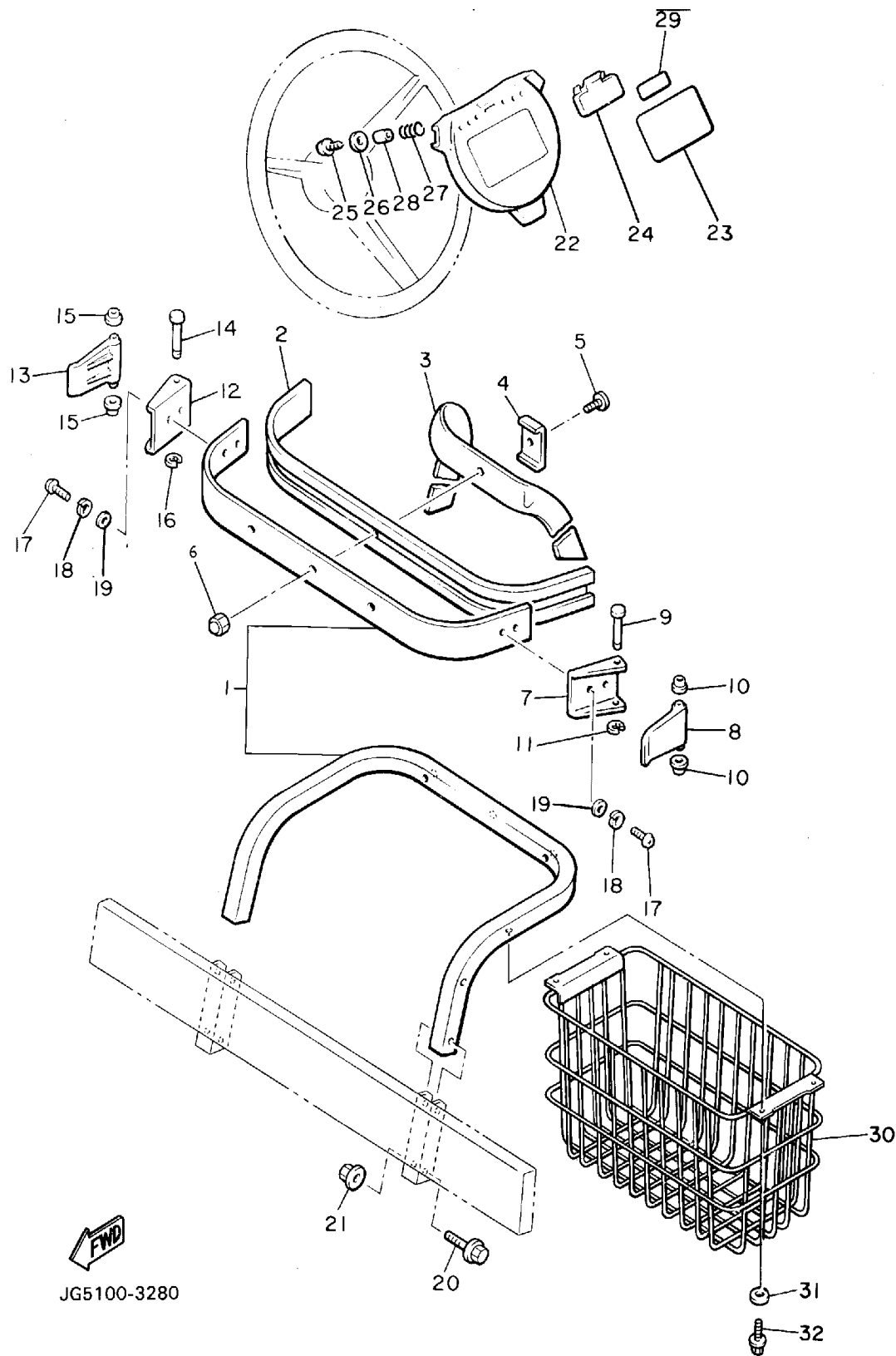
JG5100-3270

Ref. No.	Part Number	Description	Qty	Remarks
31	J55-K8192-00-00	PANEL, REAR FENDER 2	1	
32	97016-06016-00	BOLT	2	
33	92906-06100-00	WASHER, SPRING	2	
34	92906-06600-00	WASHER	2	
35	90267-48101-00	RIVET, BLIND	6	
36	J38-7814E-00-00	SEAL, BODY SIDE 1	2	JG5-200101~
37	J38-7815E-00-00	PLATE, SEAL SUPPORT 2	2	JG5-200101~
38	90267-40054-00	RIVET, BLIND	4	JG5-200101~

CONTENTS

ACCELERATOR	B12
AIR SHROUD FAN	A5
BODY	C9-10
BODY 2	C11-12,D1
BODY FITTING	D2-3
BRAKE	B8-9
BRAKE 2	B10
BRAKE 3	B11
BUMPER	C8
CAMSHAFT VALVE	A4
CARBURETOR	A8
CARRIER	D4-5
CRANKCASE	A10-11
CRANKSHAFT PISTON	A3
CYLINDER	A2
ELECTRICAL 1	D9
ELECTRICAL 2	D10-11
ENGINE BRACKET	A12
EXHAUST	A9
FRAME	B2
FRONT SUSPENSION WHEEL	B3-4
FUEL TANK	B7
GOVERNOR	C1
INTAKE	A6-7
PRIMARY SHEAVE	C2
REAR ARM SUSPENSION	B1
REAR AXLE WHEEL	C7
SEAT	D6
SECONDARY SHEAVE	C3
STARTING MOTOR	D7-8
STEERING	B5-6
TRANSMISSION 1	C4-6
-MODELS IN THIS CATALOG	D12

CARRIER



JG5100-3280

Ref. No.	Part Number	Description	Qty	Remarks
1	JG5-K8351-01-00	SUPPORT, BAG UPPER	1	
2	JF2-K8356-00-00	PAD, BAG SUPPORT	1	
3	J38-78355-00-00	BAND	1	
4	J38-78367-00-00	PLATE, ANCHOR	1	
5	98980-06016-00	SCREW, BINDING	1	
6	95380-06800-00	NUT	1	
7	J17-78157-01-00	BASE, LOCK	1	
8	J17-78368-01-00	LEVER, LOCK	1	
9	J17-78369-00-00	PIN, LEVER	1	
10	90386-06108-00	BUSH	2	
11	99080-05600-00	CIRCLIP	1	
12	J17-78157-01-00	BASE, LOCK	1	
13	J17-78368-01-00	LEVER, LOCK	1	
14	J17-78369-00-00	PIN, LEVER	1	
15	90386-06108-00	BUSH	2	
16	99080-05600-00	CIRCLIP	1	
17	98580-06010-00	SCREW, PAN HEAD (92503-06010-00)	4	
18	92995-06100-00	WASHER, SPRING	4	
19	92990-06200-00	WASHER, PLAIN	4	
20	95811-08040-00	BOLT, FLANGE	4	
21	95701-08500-00	NUT, FLANGE (95702-08500-00)	4	
22	J55-K8357-00-00	HOLDER 1	1	
23	J50-77762-00-00	LABEL, WARNING 2	1	UR
24	J55-K8358-00-00	HOLDER 2	1	
25	97706-40525-00	SCREW, TAPPING	2	
26	90201-044H9-00	WASHER, PLAIN	2	
27	90502-10013-00	SPRING, CONICAL	2	
28	90387-046N7-00	COLLAR	2	
29	J38-77763-10-00	LABEL, WARNING 3	1	UR

CONTINUED ON NEXT FRAME ►

CONTENTS

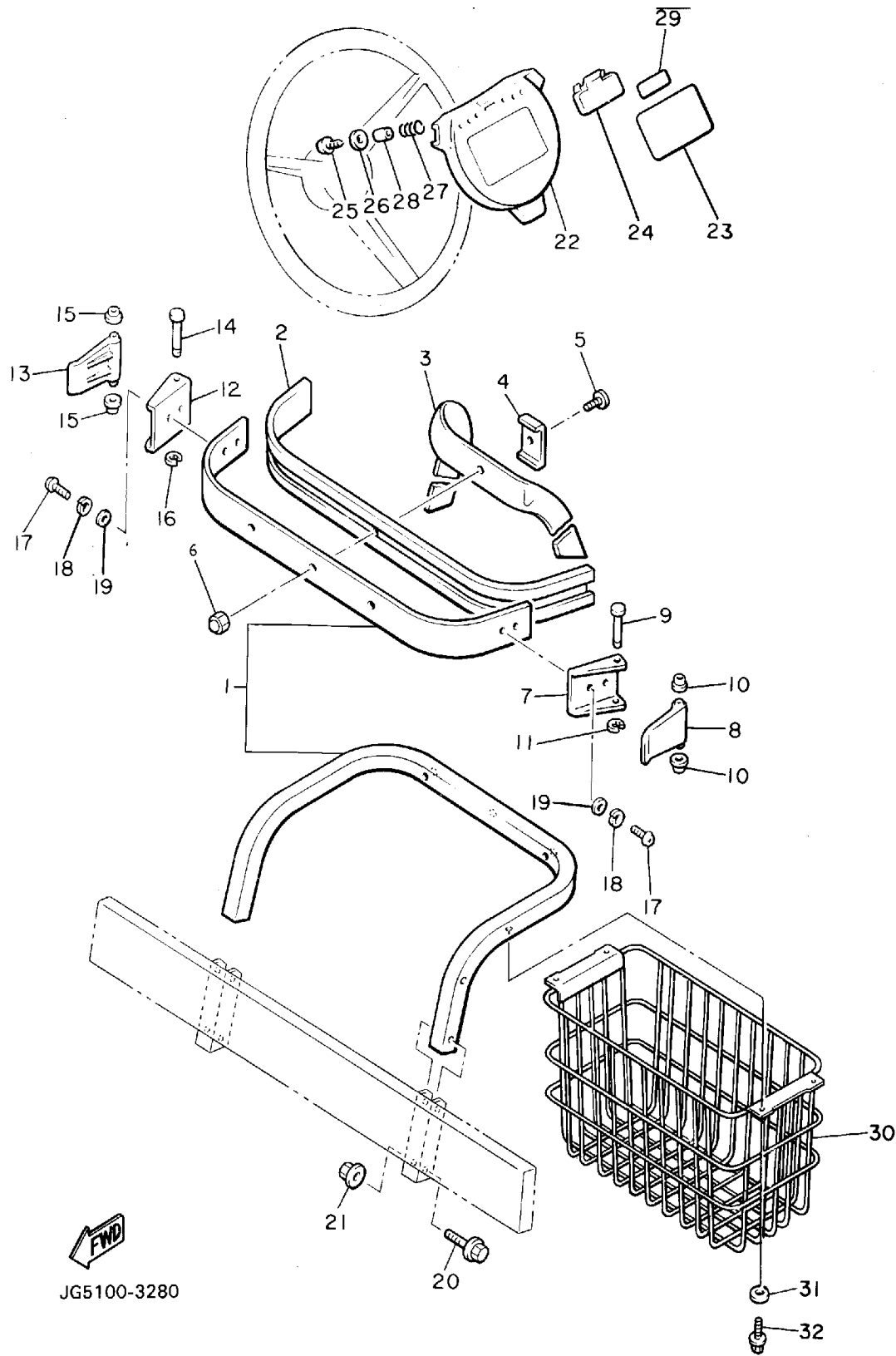
ACCELERATOR	B12
AIR SHROUD FAN	A5
BODY	C9-10
BODY 2	C11-12,D1
BODY FITTING	D2-3
BRAKE	B8-9
BRAKE 2	B10
BRAKE 3	B11
BUMPER	C8
CAMSHAFT VALVE	A4
CARBURETOR	A8
CARRIER	D4-5
CRANKCASE	A10-11
CRANKSHAFT PISTON	A3
CYLINDER	A2
ELECTRICAL 1	D9
ELECTRICAL 2	D10-11
ENGINE BRACKET	A12
EXHAUST	A9
FRAME	B2
FRONT SUSPENSION WHEEL	B3-4
FUEL TANK	B7
GOVERNOR	C1
INTAKE	A6-7
PRIMARY SHEAVE	C2
REAR ARM SUSPENSION	B1
REAR AXLE WHEEL	C7
SEAT	D6
SECONDARY SHEAVE	C3
STARTING MOTOR	D7-8
STEERING	B5-6
TRANSMISSION 1	C4-6
-MODELS IN THIS CATALOG	D12

CARRIER

Ref. No.	Part Number	Description	Qty	Remarks
30	JG5-K8340-00-00	LUGGAGE RACK ASSEMBLY, REAR	1	JG5-200101~
31	90201-08103-00	WASHER, PLAIN	4	JG5-200101~
32	95805-08016-00	BOLT, FLANGE	4	JG5-200101~

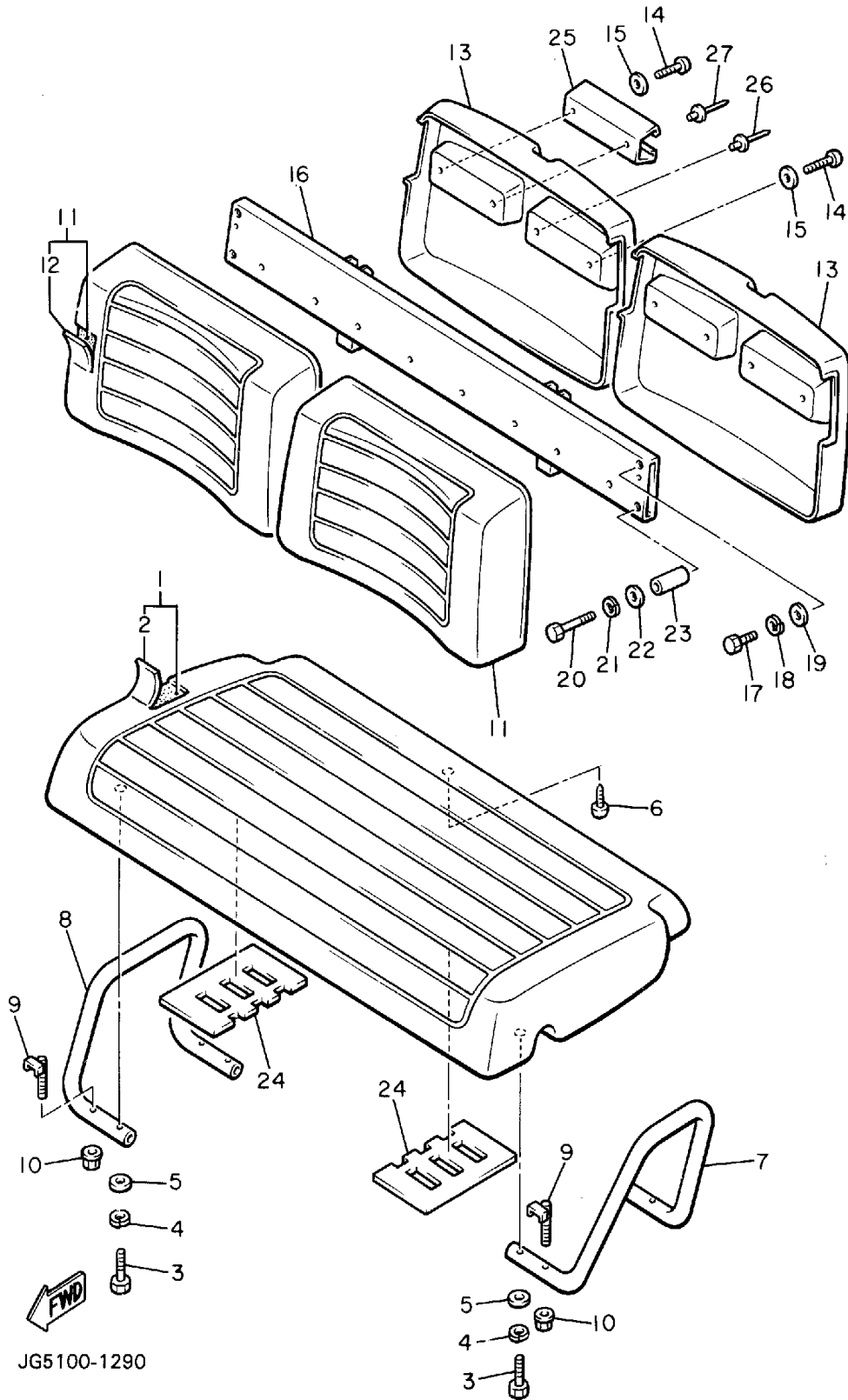
CONTENTS

ACCELERATOR	B12
AIR SHROUD FAN	A5
BODY	C9-10
BODY 2	C11-12,D1
BODY FITTING	D2-3
BRAKE	B8-9
BRAKE 2	B10
BRAKE 3	B11
BUMPER	C8
CAMSHAFT VALVE	A4
CARBURETOR	A8
CARRIER	D4-5
CRANKCASE	A10-11
CRANKSHAFT PISTON	A3
CYLINDER	A2
ELECTRICAL 1	D9
ELECTRICAL 2	D10-11
ENGINE BRACKET	A12
EXHAUST	A9
FRAME	B2
FRONT SUSPENSION WHEEL	B3-4
FUEL TANK	B7
GOVERNOR	C1
INTAKE	A6-7
PRIMARY SHEAVE	C2
REAR ARM SUSPENSION	B1
REAR AXLE WHEEL	C7
SEAT	D6
SECONDARY SHEAVE	C3
STARTING MOTOR	D7-8
STEERING	B5-6
TRANSMISSION 1	C4-6
-MODELS IN THIS CATALOG	D12



JG5100-3280

SEAT



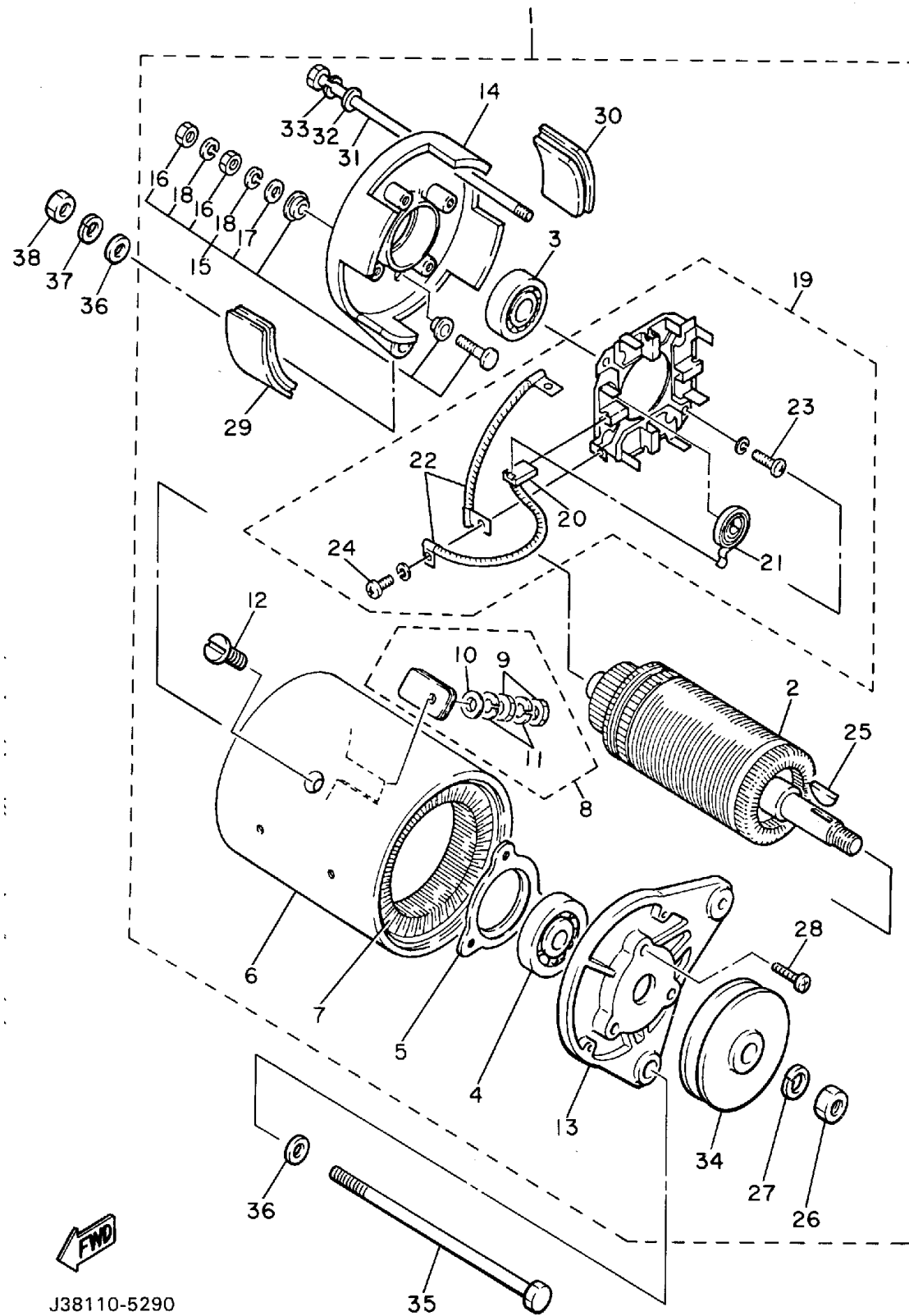
JG5100-1290

Ref. No.	Part Number	Description	Qty	Remarks
1	JG5-K8401-00-00	SEAT SUB-ASSEMBLY, CUSHION	1	
2	JG5-K8404-09-00	. COVER, SEAT	1	
3	97021-08065-00	BOLT	4	
4	92902-08100-00	WASHER, SPRING	4	
5	92990-08600-00	WASHER, PLATE	4	
6	90149-059U1-00	SCREW, PANHEAD (97701-50515-00)	1	
7	JG5-K8361-01-00	ARM REST 1	1	
8	JG5-K8362-01-00	ARM REST 2	1	
9	J38-78384-00-00	BOLT	4	
10	95601-08200-00	NUT, U	4	
11	JG5-K8402-01-00	SEAT SUB ASSEMBLY, BACK	2	
12	JG5-K841G-09-00	. COVER, SUB-SEAT	2	
13	JG5-K8413-00-00	COVER, SEAT BACK	2	
14	98980-06045-00	SCREW, BIND	4	
15	90201-065F3-00	WASHER, PLATE	4	
16	JG5-K8423-01-00	SUPPORT, SEAT BACK	1	
17	97011-08016-00	BOLT	2	
18	92902-08100-00	WASHER, SPRING	2	
19	92990-08600-00	WASHER, PLATE	2	
20	97022-08075-00	BOLT	2	
21	92902-08100-00	WASHER, SPRING	2	
22	92990-08600-00	WASHER, PLATE	2	
23	90387-103G9-00	COLLAR	2	
24	J55-K8419-00-00	PAD, SEAT PROTECTOR	2	
25	J55-K835A-00-00	HOLDER, BALL	2	
26	90267-63134-00	RIVET, BLIND	2	
27	90267-63047-00	RIVET, BLIND	2	

CONTENTS

ACCELERATOR	B12
AIR SHROUD FAN	A5
BODY	C9-10
BODY 2	C11-12,D1
BODY FITTING	D2-3
BRAKE	B8-9
BRAKE 2	B10
BRAKE 3	B11
BUMPER	C8
CAMSHAFT VALVE	A4
CARBURETOR	A8
CARRIER	D4-5
CRANKCASE	A10-11
CRANKSHAFT PISTON	A3
CYLINDER	A2
ELECTRICAL 1	D9
ELECTRICAL 2	D10-11
ENGINE BRACKET	A12
EXHAUST	A9
FRAME	B2
FRONT SUSPENSION WHEEL	B3-4
FUEL TANK	B7
GOVERNOR	C1
INTAKE	A6-7
PRIMARY SHEAVE	C2
REAR ARM SUSPENSION	B1
REAR AXLE WHEEL	C7
SEAT	D6
SECONDARY SHEAVE	C3
STARTING MOTOR	D7-8
STEERING	B5-6
TRANSMISSION 1	C4-6
-MODELS IN THIS CATALOG	D12

STARTING MOTOR



J38110-5290

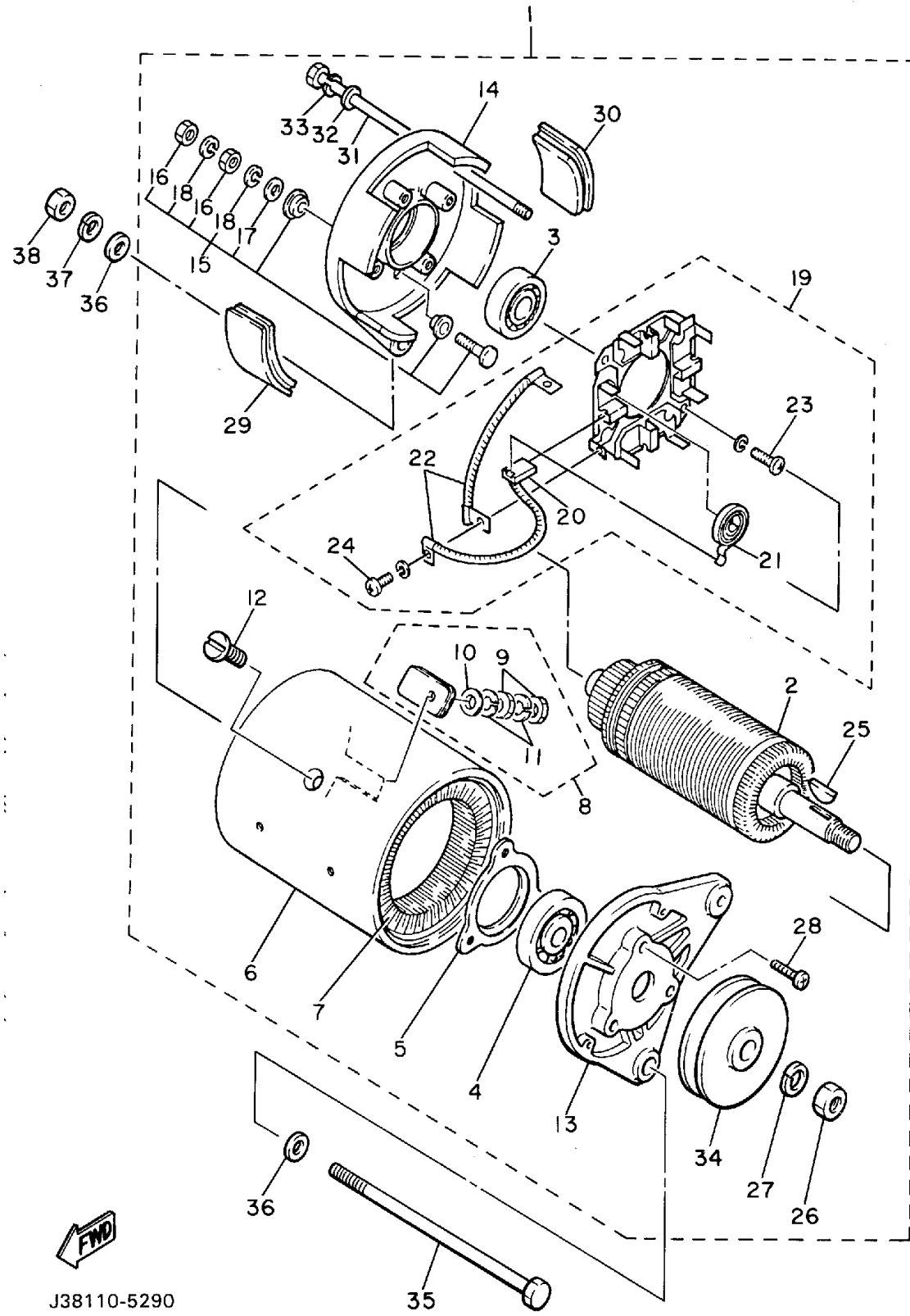
Ref. No.	Part Number	Description	Qty	Remarks
1	J38-81100-11-00	STARTER GENERATOR ASSEMBLY (JF2-H1100-00-00)	1	
2	J10-81150-10-00	. ARMATURE ASSEMBLY	1	
3	J10-81157-10-00	. BEARING 1 (6202 SD)	1	
4	J10-81158-10-00	. BEARING 2 (6203 SD)	1	
5	J10-81159-10-00	. HOLDER, BEARING	1	
6	J38-81110-10-00	. STATOR ASSEMBLY	1	
7	J38-81160-10-00	. FIELD COIL ASSEMBLY	1	
8	J10-81148-10-00	. SCREW SET 4	2	
9	95380-06600-00	.. NUT, HEXAGON	4	
10	92990-06600-00	.. WASHER, PLATE	2	
11	92995-06100-00	.. WASHER, SPRING	4	
12	J10-81146-10-00	. SCREW	4	
13	J38-81165-10-00	. BRACKET, STARTER GENERATOR 1	1	
14	J10-81166-10-00	. BRACKET, STARTER GENERATOR 2	1	
15	J10-81147-10-00	. SCREW	2	
16	95380-06600-00	.. NUT, HEXAGON	4	
17	92990-06600-00	.. WASHER, PLATE	2	
18	92995-06100-00	.. WASHER, SPRING	4	
19	JF2-81119-00-00	. BRUSH HOLDER ASSY	1	
20	JF2-81111-00-00	.. BRUSH	4	
21	J38-81113-10-00	.. SPRING, BRUSH	4	
22	J10-81115-10-00	.. WIRE, LEAD	2	
23	98580-05016-00	.. SCREW, PAN HEAD	2	
24	98580-04010-00	.. SCREW, PAN HEAD	4	
25	J38-81163-10-00	. KEY	1	
26	95312-14600-00	. NUT	1	
27	92901-14100-00	. WASHER, SPRING	1	
28	98501-05018-00	. SCREW, PAN HEAD	3	

CONTINUED ON NEXT FRAME ➤

CONTENTS

ACCELERATOR	B12
AIR SHROUD FAN	A5
BODY	C9-10
BODY 2	C11-12,D1
BODY FITTING	D2-3
BRAKE	B8-9
BRAKE 2	B10
BRAKE 3	B11
BUMPER	C8
CAMSHAFT VALVE	A4
CARBURETOR	A8
CARRIER	D4-5
CRANKCASE	A10-11
CRANKSHAFT PISTON	A3
CYLINDER	A2
ELECTRICAL 1	D9
ELECTRICAL 2	D10-11
ENGINE BRACKET	A12
EXHAUST	A9
FRAME	B2
FRONT SUSPENSION WHEEL	B3-4
FUEL TANK	B7
GOVERNOR	C1
INTAKE	A6-7
PRIMARY SHEAVE	C2
REAR ARM SUSPENSION	B1
REAR AXLE WHEEL	C7
SEAT	D6
SECONDARY SHEAVE	C3
STARTING MOTOR	D7-8
STEERING	B5-6
TRANSMISSION 1	C4-6
-MODELS IN THIS CATALOG	D12

STARTING MOTOR



J38110-5290

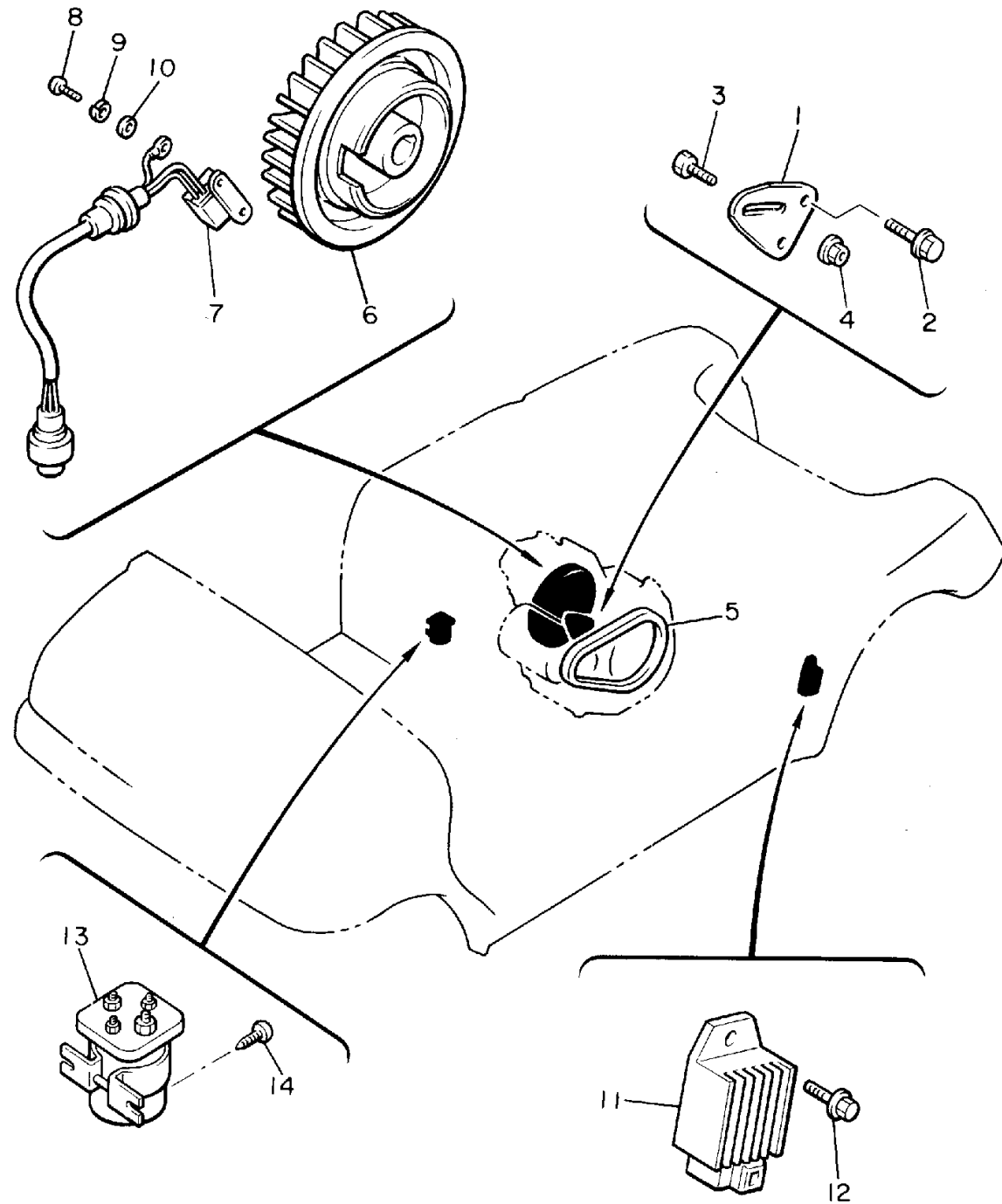
G9AG_AH_AJ_AK_AM

Ref. No.	Part Number	Description	Qty	Remarks
29	J10-81129-10-00	. COVER, BRUSH	3	
30	J10-81129-10-00	. COVER, BRUSH	1	
31	J10-81145-10-00	. SCREW 1	2	
32	92990-06600-00	. WASHER, PLATE	2	
33	92995-06100-00	. WASHER, SPRING	2	
34	J38-81161-10-00	. PULLEY	1	
35	90101-12545-00	BOLT	1	
36	92990-12600-00	WASHER, PLATE	2	
37	92901-12100-00	WASHER, SPRING	1	
38	95303-12600-00	NUT	1	

CONTENTS

ACCELERATOR	B12
AIR SHROUD FAN	A5
BODY	C9-10
BODY 2	C11-12,D1
BODY FITTING	D2-3
BRAKE	B8-9
BRAKE 2	B10
BRAKE 3	B11
BUMPER	C8
CAMSHAFT VALVE	A4
CARBURETOR	A8
CARRIER	D4-5
CRANKCASE	A10-11
CRANKSHAFT PISTON	A3
CYLINDER	A2
ELECTRICAL 1	D9
ELECTRICAL 2	D10-11
ENGINE BRACKET	A12
EXHAUST	A9
FRAME	B2
FRONT SUSPENSION WHEEL	B3-4
FUEL TANK	B7
GOVERNOR	C1
INTAKE	A6-7
PRIMARY SHEAVE	C2
REAR ARM SUSPENSION	B1
REAR AXLE WHEEL	C7
SEAT	D6
SECONDARY SHEAVE	C3
STARTING MOTOR	D7-8
STEERING	B5-6
TRANSMISSION 1	C4-6
-MODELS IN THIS CATALOG	D12

ELECTRICAL 1



Ref. No.	Part Number	Description	Qty	Remarks
1	J38-81170-00-00	TENSIONER ASSEMBLY	1	
2	95821-08025-00	BOLT, FLANGE	2	
3	90109-087A5-00	BOLT	1	
4	95701-08500-00	NUT, FLANGE (95702-08500-00)	1	
5	J55-H1173-00-00	BELT	1	
6	J38-81350-29-00	ROTOR ASSEMBLY	1	
7	J38-85580-20-00	COIL, PULSER	1	
8	98580-05016-00	SCREW, PAN HEAD	2	
9	92990-05100-00	WASHER, SPRING	2	
10	92901-05600-00	WASHER, PLATE	2	
11	JF2-81910-00-00	VOLTAGE REGULATOR ASSEMBLY	1	
12	95811-06016-00	BOLT, FLANGE (95822-06016-00)	2	
13	JF2-H1950-00-00	RELAY ASSEMBLY	1	
14	90163-06005-00	SCREW, TAPPING	2	

CONTENTS

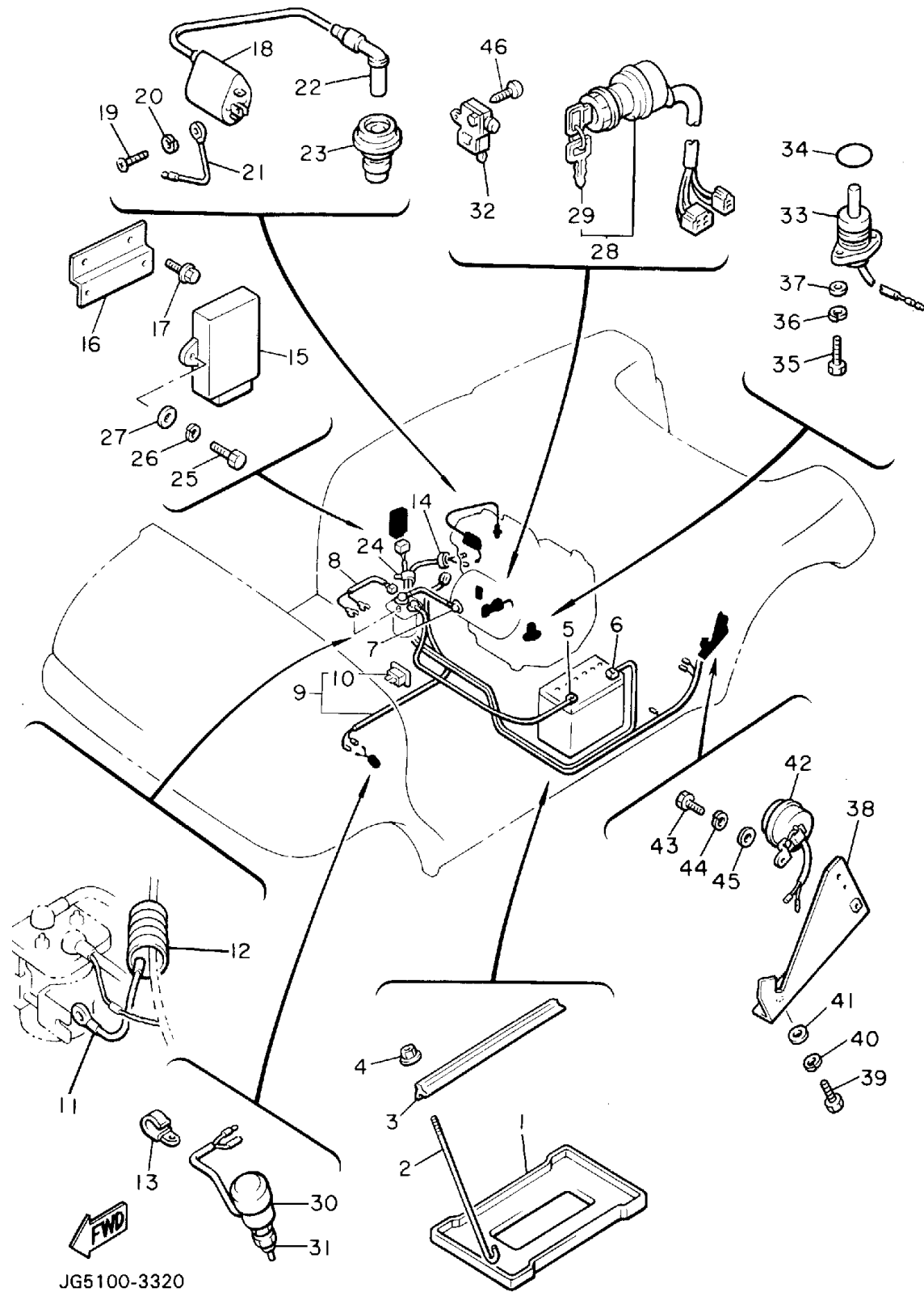
ACCELERATOR	B12
AIR SHROUD FAN	A5
BODY	C9-10
BODY 2	C11-12,D1
BODY FITTING	D2-3
BRAKE	B8-9
BRAKE 2	B10
BRAKE 3	B11
BUMPER	C8
CAMSHAFT VALVE	A4
CARBURETOR	A8
CARRIER	D4-5
CRANKCASE	A10-11
CRANKSHAFT PISTON	A3
CYLINDER	A2
ELECTRICAL 1	D9
ELECTRICAL 2	D10-11
ENGINE BRACKET	A12
EXHAUST	A9
FRAME	B2
FRONT SUSPENSION WHEEL	B3-4
FUEL TANK	B7
GOVERNOR	C1
INTAKE	A6-7
PRIMARY SHEAVE	C2
REAR ARM SUSPENSION	B1
REAR AXLE WHEEL	C7
SEAT	D6
SECONDARY SHEAVE	C3
STARTING MOTOR	D7-8
STEERING	B5-6
TRANSMISSION 1	C4-6
-MODELS IN THIS CATALOG	D12



JG5100-3310

G9AG_AH_AJ_AK_AM

ELECTRICAL 2



Ref. No.	Part Number	Description	Qty	Remarks
1	J55-H2122-00-00	SEAT, BATTERY	1	
2	J17-82133-00-00	SCREW, FITTING	2	
3	J55-H2136-00-00	PLATE, BATTERY FITTING	1	
4	95701-06500-00	NUT, FLANGE	2	
5	J55-H2115-02-00	WIRE, PLUS LEAD	1	
6	J55-H2116-01-00	WIRE, MINUS LEAD	1	
7	JG5-H2117-01-00	WIRE, LEAD	1	
8	JF2-82105-00-00	WIRE HARNESS	1	
9	JG5-82590-02-00	WIRE HARNESS ASSEMBLY	1	
10	42X-82151-00-00	. FUSE (10A-BL)	2	
11	JG5-H232Y-00-00	WIRE, EARTH LEAD	1	
12	JG5-H7198-00-00	TUBE 3	1	
13	90465-06038-00	CLAMP	1	
14	90464-23041-00	CLAMP	1	
15	JG5-82305-00-00	IGNITOR UNIT ASSEMBLY	1	
16	JG5-H553A-00-00	STAY UNIT	1	
17	95811-06010-00	BOLT, FLANGE	2	
18	J38-82310-20-00	IGNITION COIL ASSEMBLY	1	
19	98501-05020-00	SCREW, PAN HEAD	2	
20	92990-05100-00	WASHER, SPRING	2	
21	J38-82318-00-00	WIRE, SUB-LEAD	1	
22	8K1-82370-20-00	PLUG CAP ASSEMBLY (WITH RESISTOR)	1	
23	J38-82372-00-00	SEAL, PLUG CAP	1	
24	90465-08028-00	CLAMP	1	
25	97011-06020-00	BOLT	2	
26	92995-06100-00	WASHER, SPRING	2	
27	92990-06600-00	WASHER, PLATE	2	
28	J55-82510-00-00	MAIN SWITCH ASSEMBLY	1	
29	J17-82511-20-00	. KEY, MAIN SWITCH	1	

CONTENTS

ACCELERATOR	B12
AIR SHROUD FAN	A5
BODY	C9-10
BODY 2	C11-12,D1
BODY FITTING	D2-3
BRAKE	B8-9
BRAKE 2	B10
BRAKE 3	B11
BUMPER	C8
CAMSHAFT VALVE	A4
CARBURETOR	A8
CARRIER	D4-5
CRANKCASE	A10-11
CRANKSHAFT PISTON	A3
CYLINDER	A2
ELECTRICAL 1	D9
ELECTRICAL 2	D10-11
ENGINE BRACKET	A12
EXHAUST	A9
FRAME	B2
FRONT SUSPENSION WHEEL	B3-4
FUEL TANK	B7
GOVERNOR	C1
INTAKE	A6-7
PRIMARY SHEAVE	C2
REAR ARM SUSPENSION	B1
REAR AXLE WHEEL	C7
SEAT	D6
SECONDARY SHEAVE	C3
STARTING MOTOR	D7-8
STEERING	B5-6
TRANSMISSION 1	C4-6
-MODELS IN THIS CATALOG	D12

CONTINUED ON NEXT FRAME ►

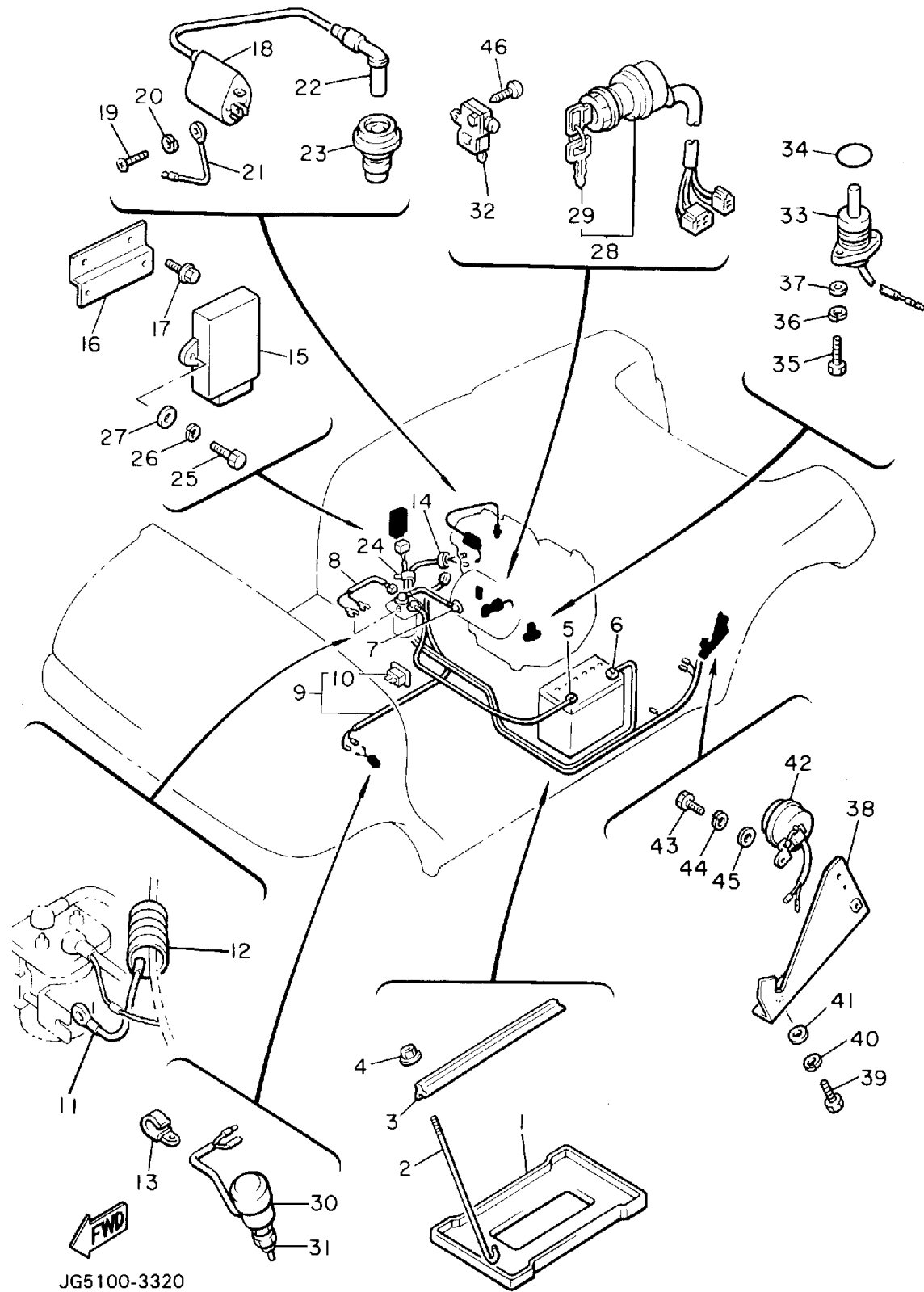
JG5100-3320

ELECTRICAL 2

Ref. No.	Part Number	Description	Qty	Remarks
30	J41-82550-02-00	STOP SWITCH ASSEMBLY	1	
31	JF2-82532-00-00	CAP, RUBBER	1	
32	J50-82617-00-00	REVERSE SWITCH	1	
33	JG5-15385-01-00	PLUG, BLIND	1	
34	93210-24235-00	O-RING	1	
35	97011-06020-00	BOLT	2	
36	92995-06100-00	WASHER, SPRING	2	
37	92990-06600-00	WASHER, PLATE	2	
38	JG5-H2153-00-00	STAY, FUSE HOLDER	1	
39	97011-06020-00	BOLT	2	
40	92995-06100-00	WASHER, SPRING	2	
41	92990-06600-00	WASHER, PLATE	2	
42	J10-83383-02-00	BUZZER	1	
43	97011-06016-00	BOLT	1	
44	92995-06100-00	WASHER, SPRING	1	
45	92990-06600-00	WASHER, PLATE	1	
46	90164-04005-00	SCREW, TAPPING	2	

CONTENTS

ACCELERATOR	B12
AIR SHROUD FAN	A5
BODY	C9-10
BODY 2	C11-12,D1
BODY FITTING	D2-3
BRAKE	B8-9
BRAKE 2	B10
BRAKE 3	B11
BUMPER	C8
CAMSHAFT VALVE	A4
CARBURETOR	A8
CARRIER	D4-5
CRANKCASE	A10-11
CRANKSHAFT PISTON	A3
CYLINDER	A2
ELECTRICAL 1	D9
ELECTRICAL 2	D10-11
ENGINE BRACKET	A12
EXHAUST	A9
FRAME	B2
FRONT SUSPENSION WHEEL	B3-4
FUEL TANK	B7
GOVERNOR	C1
INTAKE	A6-7
PRIMARY SHEAVE	C2
REAR ARM SUSPENSION	B1
REAR AXLE WHEEL	C7
SEAT	D6
SECONDARY SHEAVE	C3
STARTING MOTOR	D7-8
STEERING	B5-6
TRANSMISSION 1	C4-6
-MODELS IN THIS CATALOG	D12



JG5100-3320

~MODELS IN THIS CATALOG

- 1991 G9AG (JG5)**
 STARTING FRAME: JG5-000101 and following
- 1992 G9AH (JG5)**
 STARTING FRAME: JG5-100101 and following
- 1993 G9AJ (JG5)**
 STARTING FRAME: JG5-200101 and following
- 1993 G9AJ-93.5 (JG5)**
 STARTING FRAME: JG5-200101 and following
- 1994 G9AK (JG5)**
 STARTING FRAME: JG5-300101 and following
- 1995 G9AM(JG5)**
 STARTING FRAME: JG5-400101 and following

ALL THESE MODELS USE THIS SAME PARTS CATALOG.
 BE SURE TO ORDER ONLY THOSE PARTS APPLICABLE
 TO THE DESIRED MODEL.

Ref. No.	Part Number	Description	Qty	Remarks
----------	-------------	-------------	-----	---------

CONTENTS	
ACCELERATOR	B12
AIR SHROUD FAN	A5
BODY	C9-10
BODY 2	C11-12,D1
BODY FITTING	D2-3
BRAKE	B8-9
BRAKE 2	B10
BRAKE 3	B11
BUMPER	C8
CAMSHAFT VALVE	A4
CARBURETOR	A8
CARRIER	D4-5
CRANKCASE	A10-11
CRANKSHAFT PISTON	A3
CYLINDER	A2
ELECTRICAL 1	D9
ELECTRICAL 2	D10-11
ENGINE BRACKET	A12
EXHAUST	A9
FRAME	B2
FRONT SUSPENSION WHEEL	B3-4
FUEL TANK	B7
GOVERNOR	C1
INTAKE	A6-7
PRIMARY SHEAVE	C2
REAR ARM SUSPENSION	B1
REAR AXLE WHEEL	C7
SEAT	D6
SECONDARY SHEAVE	C3
STARTING MOTOR	D7-8
STEERING	B5-6
TRANSMISSION 1	C4-6
~MODELS IN THIS CATALOG	D12