

OPERATION AND MAINTENANCE MANUAL WITH PARTS LIST

MODEL : TAT, TB4, 910 & 911

SERIAL NUMBER : 5950 & UP

YEAR : 1965 & UP

MANUAL NUMBER: MT-910-00

- IMPORTANT -

READ AND FOLLOW INSTRUCTIONS GIVEN
IN SAFETY & OPERATIONS AND THOSE
SECTIONS RELATED TO YOUR SERVICE
AND REPAIR RESPONSIBILITIES



TAYLOR-DUNN

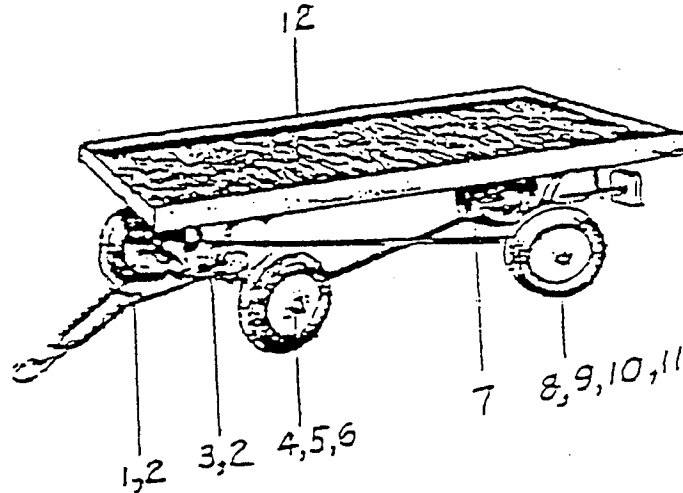
Commercial and Industrial Vehicles Since 1949

2114 W. Ball Rd., Anaheim, CA 92804 (714)956-4040 Telex 65-5393
Mailing Address: P.O. Box 4240, Anaheim, California 92803

Illustrated Parts List



REPLACEMENT PARTS LIST
TRACKING TRAILER 90-910-00



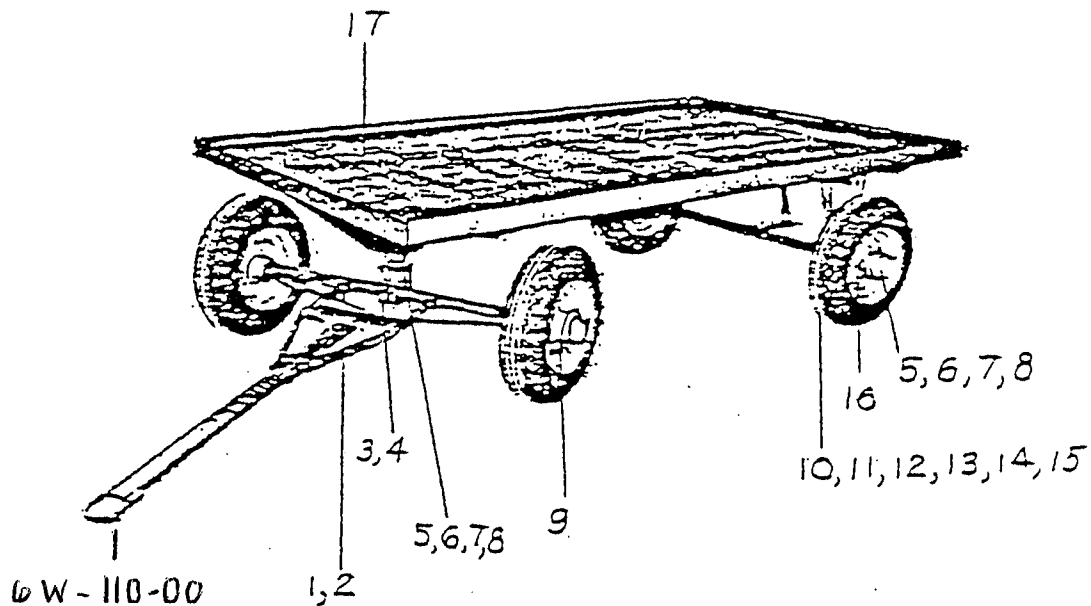
D.NO.	T-D PART NO.	DESCRIPTION	QT
1	88-140-22	Screw, 1/2 NC x 3-1/2 Hex Head	1
2	88-149-81	Nut, 1/2 NC, Hex Lock	3
3	87-071-00	Grease Fitting, 3/16 In. Drive	4
4	17-112-00	Collar, 1 In. Shaft	4
5	88-087-06	Set-Screw, 5/16 NC x 1/2, Sq. Head	4
6	80-461-00	Bearing, Roller, 1 In. Long For 13-523-00	8
	13-523-50	Retainer, Bearing (use with 80-461-00 bearing)	8
	16-060-00	Spacer, Bearing (for 80-461-00 bearings) And 13-523-10 Wheel	4
7	88-109-80	Nut, 3/8 NC, Hex	4
8	13-801-00	Assembly, Tire, Wheel & Hub, 10 x 2.75, Heavy Service Zero Pressure Tire with 1 In. x 2-11/16 In. Roller Bearings	4
	80-463-00	Bearing, Roller, 1 In. x 2-11/16 Long for 13-801-00 Wheel Assembly	4
	32-518-00	Retainer, Bearing (use with 80-463-00 bearing)	8
9	13-523-00 or *13-523-10	Assembly, Tire, Tube, Wheel & Hub, 3.40 x 5, Load Range A, Highway Tread Tire, 3 In. Hub, 1 In. Roller Bearings	4
10	10-041-00	Tire, 3.40 x 5 Load Range B, Highway Tread, Tube Type	4
11	11-001-00	Tube, 3.40 x 5 Straight Valve Stem	4
12	90-406-00	Deckboard	1

* Replaces 13-523-00

REPLACEMENT PARTS LIST
TRACKING TRAILER TO-910-00
OPTIONAL PARTS - NOT ILLUSTRATED

<u>T-D PART NO</u>	<u>DESCRIPTION</u>	<u>QTY.</u>
<u>HITCH AND PIN ITEMS:</u>		
97-806-10	Hitch & Pin, Clevis Type, for Trailers after Serial Number T1970	1
97-806-00	Hitch & Pin, Clevis Type, for Trailers up to Serial Number T1970	1
97-804-00	Hitch, Pintle Type	1
<u>HARDWARE FOR HITCH MOUNTING AS FOLLOWS:</u>		
88-140-14	Screw 1/2 NC x 1-1/2 Hex Head	4
88-148-61	Washer, 1/2 In., SAE	4
88-149-81	Lock Nut, 1/2 NC, Hex	4
<u>STAKE SIDE ITEMS AS FOLLOWS:</u>		
90-544-00	Stake Pocket Set	6 or 8
90-543-00	Stake, Channel, 1-1/2 x 3/4 x 17	6 or 8
90-540-00	Hook, Stake Side	4 or 6
90-536-10	Assembly, Stake Sides with Stakes, 14 In. High Sides	1
90-538-10	Assembly, Stake Sides with Stakes, 14 In. High Solid Sides & End	1
88-065-11	Screw, 1/4 NC x 1, Truss Head	24 or 32
88-069-87	Nut, 1/4 NC, Fastite	24 or 32

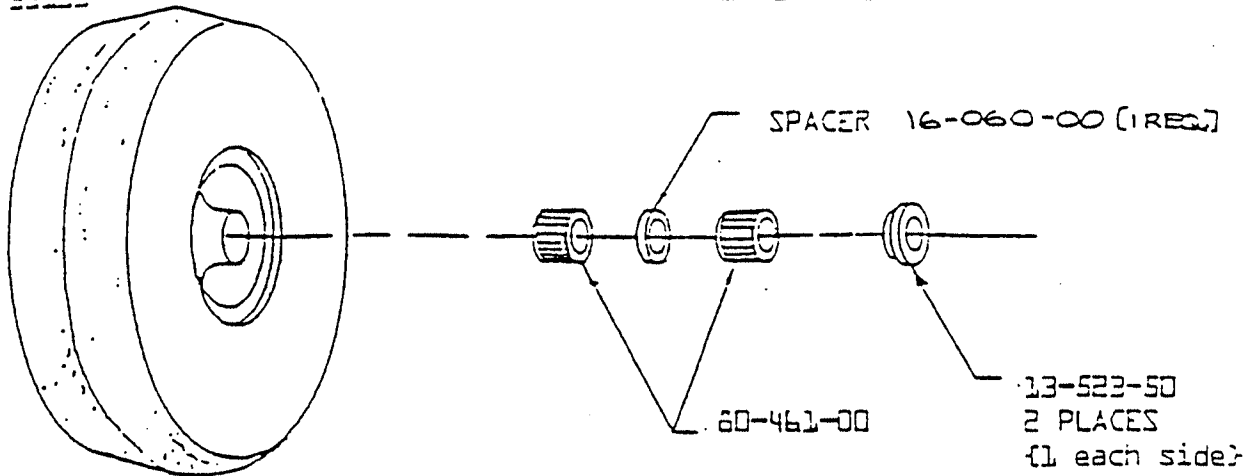
REPLACEMENT PARTS LIST
TB-4 TRAILER TO-911-00



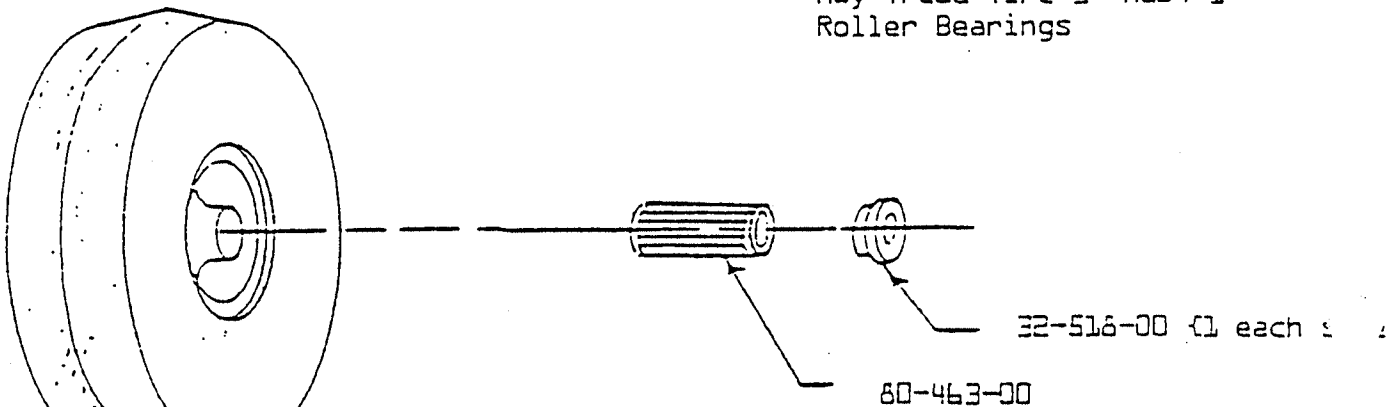
I. D. NO.	T-D PART NO.	DESCRIPTION	QTY.
1	88-140-13	Screw, 1/2 NC x 1-1/4 Hex Head	2
2	88-149-81	Nut, 1/2 NC, Hex Head	2
3	88-220-22	Screw, 3/4 NC x 3-1/2, Hex Head	1
4	88-229-81	Nut, 3/4 NC, Hex Lock	1
5	92-105-00	Dust Cap	5
6	80-011-00	Bearing Cone, 1-1/4 In. I. D.	10
7	45-307-00	Seal, 1-1/2 In. I. D.	5
8	80-102-00	Bearing Race for 1-1/4 In. Bearing	10
9	12-115-00	Wheel Hub, 5 Hole Pattern, With One Bearing and Seal	4
10	13-734-00	Assembly, Tire and Wheel, 4.80 x 8 Load Range B, Highway Tread, Tubeless Tire, Five Hole Pattern Wheel	4
11	13-742-00	Assembly, Tire and Wheel, 5.70 x 8 Load Range B, Highway Tread, Tubeless Tire Five Hole Pattern Wheel	4
12	13-746-10	Assembly Tire and Wheel, 18 x 8.50 x 8, 4 ply Terra Tire, Power Rib Tubeless Tire, Five Hole Pattern Wheel	4
13	10-075-00	Tire, 4.80 x 8, Load Range B, Highway Tread, Tubeless	4
14	10-081-00	Tire, 5.70 x 8, Load Range B, Highway Tread, Tubeless	4
15	10-093-00	Tire, 18 x 8.50 x 8, 4 Ply Terra Tire, Power Rib, Tubeless	4
16	97-236-00	Nut, Lug, 1/2 In.	20
17	90-444-00	Deck Board	1

REPLACEMENT PARTS LIST
TB-4 TRAILER T0-911-00
OPTIONAL PARTS - NOT ILLUSTRATED

T-D PART NO.	DESCRIPTION	QTY.
HITCH ITEMS:		
97-804-00	Hitch, Pintle Type	1
97-808-00	Hitch, Automatic Coupling	1
HARDWARE FOR HITCH MOUNTING AS FOLLOWS:		
88-140-14	Screw, 1/2 NC x 1-1/2 Hex Head	4
88-148-61	Washer, 1/2 In., SAE	4
88-149-81	Lock Nut, 1/2 NC	4
STAKE SIDE PARTS AS FOLLOWS:		
90-544-00	Stake Pocket Set	10
90-543-00	Stake, Channel 1-1/2 x 3/4 x 17	10
90-551-20	Assembly, Stake Sides, Front, Rear, & Sides with 14 In. High Stakes, After Serial Number T-2232	1
90-551-10	Assembly, Stake Sides, Front, Rear & Sides with 14 In. High Stakes, Up to Serial Number T-2232	1
88-065-11	Screw, 1/4 NC x 1, Truss Head	40
88-069-87	Nut, 1/4 NC, Fastite	40



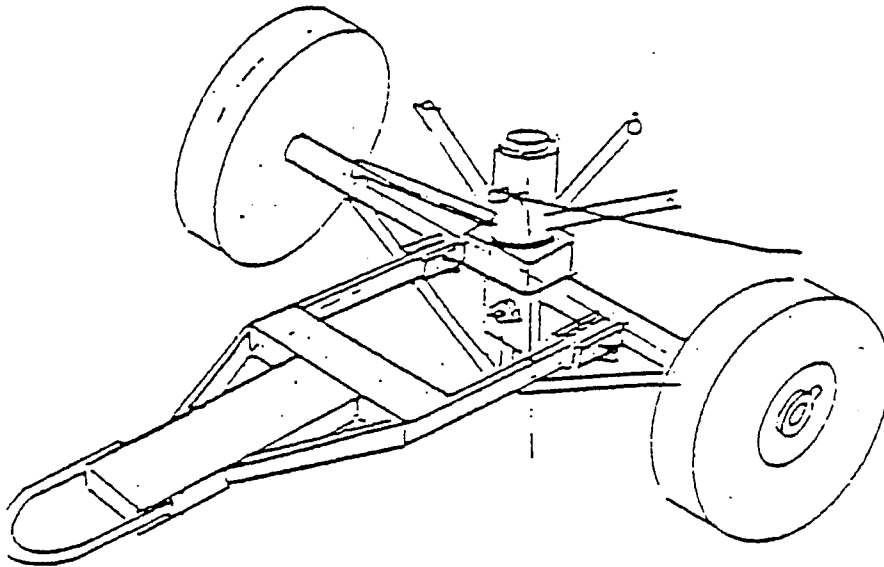
13-523-00 & 13-523-10 Include: Tire, Tube, Wheel & Hub,
3.40 X 5, Load Range - A,
Hwy Tread Tire 3" Hub, 1"
Roller Bearings



13-801-00 Includes: Tire, Wheel & Hub, 10 X 2.75 Zero Pressure
Tire, Heavy Service 3" Hub, 1" Roller Bearings

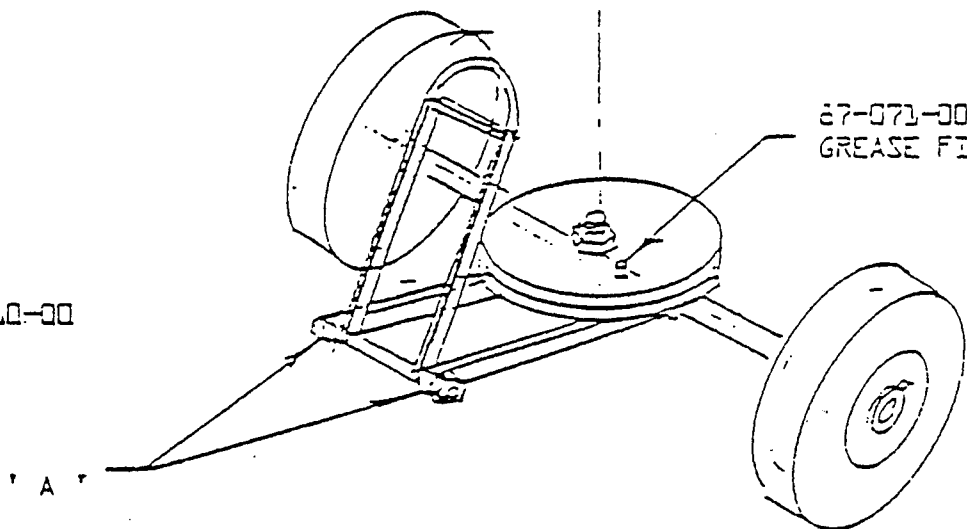
WHEEL MAINTENANCE

Shown are two typical types of wheels. The 13-523-00 and 13-523-10 are the only wheel assemblies that require two bearings per wheel. Every wheel assembly has a zerk fitting for applying grease via a pressure, grease gun to the wheel bearings. Wheel bearings should be serviced on a yearly basis or replaced when inspection dictates. Many times, wheel wobble can be caused by a worn bearing retainer. Examples are: 13-523-50 and 32-516-00. Replace retainer.



TO-911-00
 GREASE FITTING 3/16"
 67-071-00

TO-910-00



67-071-00
 GREASE FITTING 3/16"

TONGUE ASSEMBLY MAINTENANCE

Each tongue assembly has a zerk fitting for applying grease via a pressure-grease gun. This service should be performed every six months. The TO-910-00 bolt threads ' A ' should be examined for rust and corrosion. Clean with wire brush and apply grease to threads.