

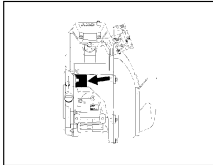
PARTS CATALOG

GOLF CAR

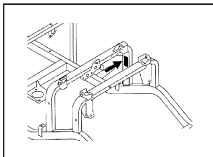
2007 DRIVE YDRA (JW11)

Applicable Serial No.

Engine Serial No.



Frame Serial No.



STARTING SERIAL NO. (G29A): TBA and following

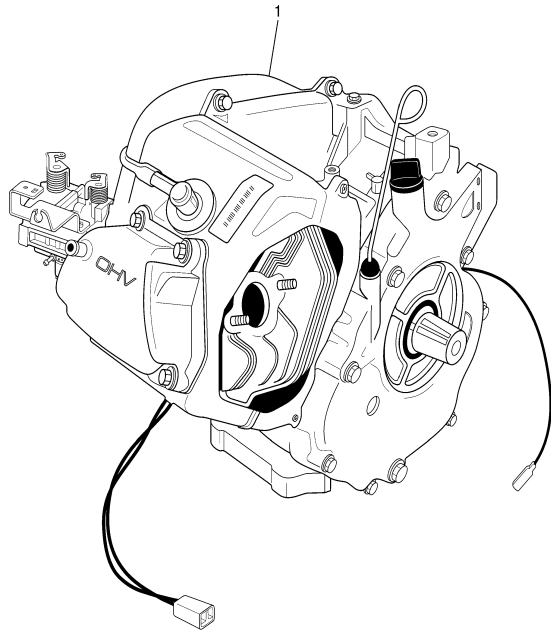
OWNERS LIT-19626-TBA
 ASSEMBLY LIT-11666-TBA
 SERVICE LIT-11616-TBA

CONTENTS

AIR SHROUD FAN	A6
ALTERNATE FOR SUN ROOF	D4
ALTERNATE FOR WINDSHIELD	D3
BODY	C5
BODY 2	C6
BODY FITTING	C7
BUMPER	C4
CAMSHAFT VALVE	A5
CARBURETOR	A8
CARRIER	C8
CRANKCASE	A10
CRANKSHAFT PISTON	A4
CYLINDER HEAD	A3
ELECTRICAL 1	C12
ELECTRICAL 2	D1-2
ENGINE 1	A2
ENGINE BRACKET	A11
EXHAUST	A9
FRAME	B1
FRONT SUSPENSION	B2
FUEL TANK	B5
GOVERNOR	B8
INTAKE	A7
PEDAL ASSEMBLY	B6-7
PRIMARY SHEAVE	B9
REAR ARM SUSPENSION	A12
SEAT	C9
SECONDARY SHEAVE	B10
SHIFTER CABLES	C2
STARTING MOTOR	C10-11
STEERING	B3-4
TRANSAXLE BRAKE	B11-12,C1
WHEEL	C3

ENGINE 1

Ref. No.	Part Number	Description	Qty	Remarks
1	JR6-19001-00-00	ENGINE ASSEMBLY	1	



CONTENTS

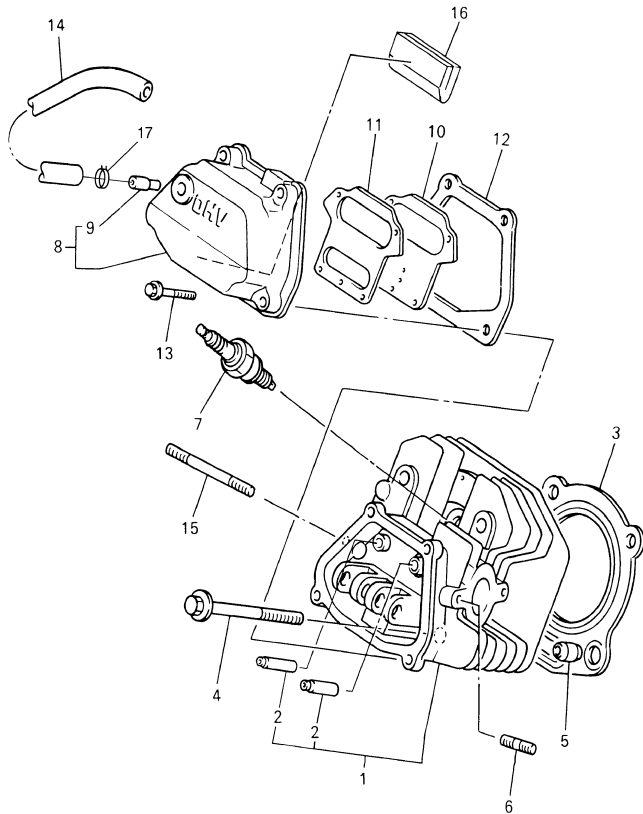
AIR SHROUD FAN	A6
ALTERNATE FOR SUN ROOF	D4
ALTERNATE FOR WINDSHIELD	D3
BODY	C5
BODY 2	C6
BODY FITTING	C7
BUMPER	C4
CAMSHAFT VALVE	A5
CARBURETOR	A8
CARRIER	C8
CRANKCASE	A10
CRANKSHAFT PISTON	A4
CYLINDER HEAD	A3
ELECTRICAL 1	C12
ELECTRICAL 2	D1-2
ENGINE 1	A2
ENGINE BRACKET	A11
EXHAUST	A9
FRAME	B1
FRONT SUSPENSION	B2
FUEL TANK	B5
GOVERNOR	B8
INTAKE	A7
PEDAL ASSEMBLY	B6-7
PRIMARY SHEAVE	B9
REAR ARM SUSPENSION	A12
SEAT	C9
SECONDARY SHEAVE	B10
SHIFTER CABLES	C2
STARTING MOTOR	C10-11
STEERING	B3-4
TRANSAXLE BRAKE	B11-12,C1
WHEEL	C3



JW41110-C010

CYLINDER HEAD

Ref. No.	Part Number	Description	Qty	Remarks
1	JT0-11111-00-00	HEAD, CYLINDER 1	1	
2	JN6-11133-10-00	. GUIDE, VALVE 1	2	
3	JT0-11181-00-00	GASKET, CYLINDER HEAD 1	1	
4	95817-10070-00	BOLT, FLANGE	4	
5	99530-14016-00	PIN, DOWEL	2	
6	95627-08618-00	BOLT, STUD	2	
7	NGK-BPR2E-S0-00	PLUG, SPARK (NGK-BPR2ES)	1	STD
	NGK-BPR4E-S0-04	PLUG, SPARK (NGK BP4ES)	1	AP
8	JN6-11191-01-00	COVER, CYLINDER HEAD 1	1	
9	JN6-11116-00-00	. JOINT, BREATHER	1	
10	JN6-11168-00-00	COVER, BREATHER	1	
11	JN6-11169-00-00	GASKET, BREATHER COVER	1	
12	JN6-11193-00-00	GASKET, HEAD COVER 1	1	
13	95827-06030-00	BOLT, FLANGE	4	
14	JN6-E1166-00-00	PIPE, BREATHER 1	1	
15	95617-08710-00	BOLT, STUD	2	
16	JR7-11163-00-00	ELEMENT	1	
17	90467-13847-00	CLIP	2	



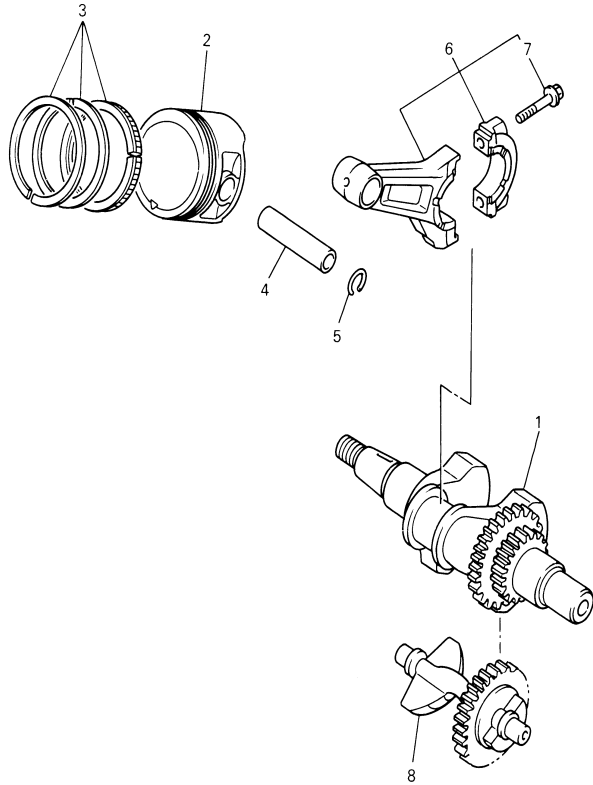
CONTENTS

AIR SHROUD FAN	A6
ALTERNATE FOR SUN ROOF	D4
ALTERNATE FOR WINDSHIELD	D3
BODY	C5
BODY 2	C6
BODY FITTING	C7
BUMPER	C4
CAMSHAFT VALVE	A5
CARBURETOR	A8
CARRIER	C8
CRANKCASE	A10
CRANKSHAFT PISTON	A4
CYLINDER HEAD	A3
ELECTRICAL 1	C12
ELECTRICAL 2	D1-2
ENGINE 1	A2
ENGINE BRACKET	A11
EXHAUST	A9
FRAME	B1
FRONT SUSPENSION	B2
FUEL TANK	B5
GOVERNOR	B8
INTAKE	A7
PEDAL ASSEMBLY	B6-7
PRIMARY SHEAVE	B9
REAR ARM SUSPENSION	A12
SEAT	C9
SECONDARY SHEAVE	B10
SHIFTER CABLES	C2
STARTING MOTOR	C10-11
STEERING	B3-4
TRANSAXLE BRAKE	B11-12, C1
WHEEL	C3



JT01010-0011

CRANKSHAFT PISTON



Ref. No.	Part Number	Description	Qty	Remarks
1	JN6-11400-00-00	CRANKSHAFT ASSY	1	
2	JR7-11631-00-A0	PISTON (STD)	1	
	JR7-11635-00-00	PISTON (0.25MM O/S)	1	AP
	JR7-11636-00-00	PISTON (0.50MM O/S)	1	AP
3	JR7-11610-00-00	PISTON RING SET (STD)	1	
	JR7-11610-10-00	PISTON RING SET (0.25MM O/S)	1	AP
	JR7-11610-20-00	PISTON RING SET (0.50MM O/S)	1	AP
4	583-11633-00-00	PIN, PISTON	1	
5	93450-21053-00	CIRCLIP	2	
6	JN6-11650-00-00	CONNECTING ROD ASSY	1	
7	JN6-11654-00-00	. BOLT, CONNECTING ROD ..	2	
8	JN6-11454-00-00	WEIGHT 1	1	

CONTENTS

AIR SHROUD FAN	A6
ALTERNATE FOR SUN ROOF	D4
ALTERNATE FOR WINDSHIELD	D3
BODY	C5
BODY 2	C6
BODY FITTING	C7
BUMPER	C4
CAMSHAFT VALVE	A5
CARBURETOR	A8
CARRIER	C8
CRANKCASE	A10
CRANKSHAFT PISTON	A4
CYLINDER HEAD	A3
ELECTRICAL 1	C12
ELECTRICAL 2	D1-2
ENGINE 1	A2
ENGINE BRACKET	A11
EXHAUST	A9
FRAME	B1
FRONT SUSPENSION	B2
FUEL TANK	B5
GOVERNOR	B8
INTAKE	A7
PEDAL ASSEMBLY	B6-7
PRIMARY SHEAVE	B9
REAR ARM SUSPENSION	A12
SEAT	C9
SECONDARY SHEAVE	B10
SHIFTER CABLES	C2
STARTING MOTOR	C10-11
STEERING	B3-4
TRANSAXLE BRAKE	B11-12, C1
WHEEL	C3



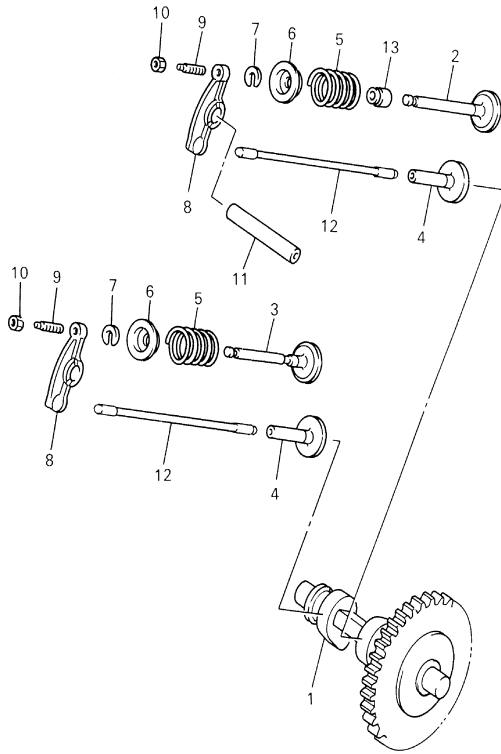
JN7010-6020

CAMSHAFT VALVE

Ref. No.	Part Number	Description	Qty	Remarks
1	JR7-12170-00-00	CAMSHAFT ASSY 1	1	
2	JN6-12111-01-00	VALVE, INTAKE	1	
3	7RH-12121-00-00	VALVE, EXHAUST	1	
4	JN6-12153-00-00	LIFTER, VALVE	2	
5	90501-264A9-00	SPRING, COMPRESSION	2	
6	J38-12117-01-00	RETAINER, VALVE SPRING	2	
7	J38-12118-00-00	COTTER, VALVE	2	
8	JN6-12151-00-00	ARM, VALVE ROCKER	2	
9	22F-12159-00-00	SCREW, VALVE ADJUSTING	2	
10	90170-05302-00	NUT	2	
11	J38-12156-00-00	SHAFT, ROCKER 2	1	
12	JR7-12154-01-00	ROD, VALVE PUSH	2	
13	5H0-12119-00-00	SEAL, VALVE STEM	1	

CONTENTS

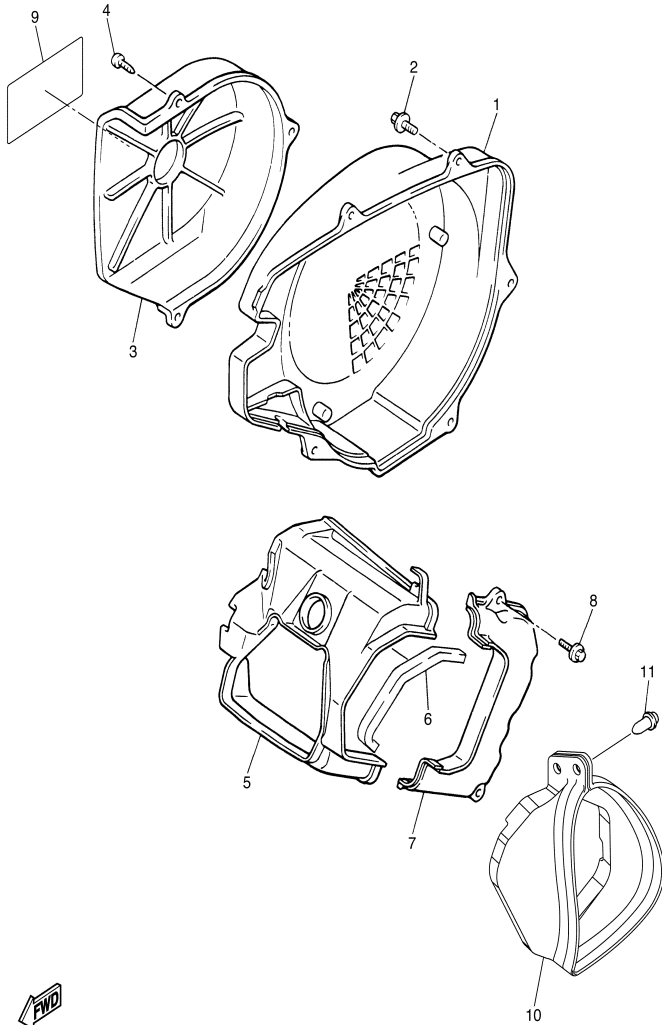
AIR SHROUD FAN	A6
ALTERNATE FOR SUN ROOF	D4
ALTERNATE FOR WINDSHIELD	D3
BODY	C5
BODY 2	C6
BODY FITTING	C7
BUMPER	C4
CAMSHAFT VALVE	A5
CARBURETOR	A8
CARRIER	C8
CRANKCASE	A10
CRANKSHAFT PISTON	A4
CYLINDER HEAD	A3
ELECTRICAL 1	C12
ELECTRICAL 2	D1-2
ENGINE 1	A2
ENGINE BRACKET	A11
EXHAUST	A9
FRAME	B1
FRONT SUSPENSION	B2
FUEL TANK	B5
GOVERNOR	B8
INTAKE	A7
PEDAL ASSEMBLY	B6-7
PRIMARY SHEAVE	B9
REAR ARM SUSPENSION	A12
SEAT	C9
SECONDARY SHEAVE	B10
SHIFTER CABLES	C2
STARTING MOTOR	C10-11
STEERING	B3-4
TRANSAXLE BRAKE	B11-12,C1
WHEEL	C3



JT01010-0030

AIR SHROUD FAN

Ref. No.	Part Number	Description	Qty	Remarks
1	JN6-12621-02-00	CASE, FAN	1	
2	95817-06020-00	BOLT, FLANGE	4	
3	JN6-12616-00-00	COVER, FAN CASE	1	
4	97707-60520-00	SCREW, TAPPING	3	
5	JN6-12651-00-00	AIR SHROUD, CYLINDER 1	1	
6	JR7-12658-00-00	DAMPER, AIR SHROUD 1	1	
7	JN6-12652-00-00	AIR SHROUD, CYLINDER 2	1	
8	95817-06020-00	BOLT, FLANGE	2	
9	JU0-2179R-00-00	PLATE, EPA 2 (CALIFORNIA)	1	
10	JW1-E2691-00-00	DUCT, 1	1	
11	90269-08813-00	RIVET	2	



CONTENTS

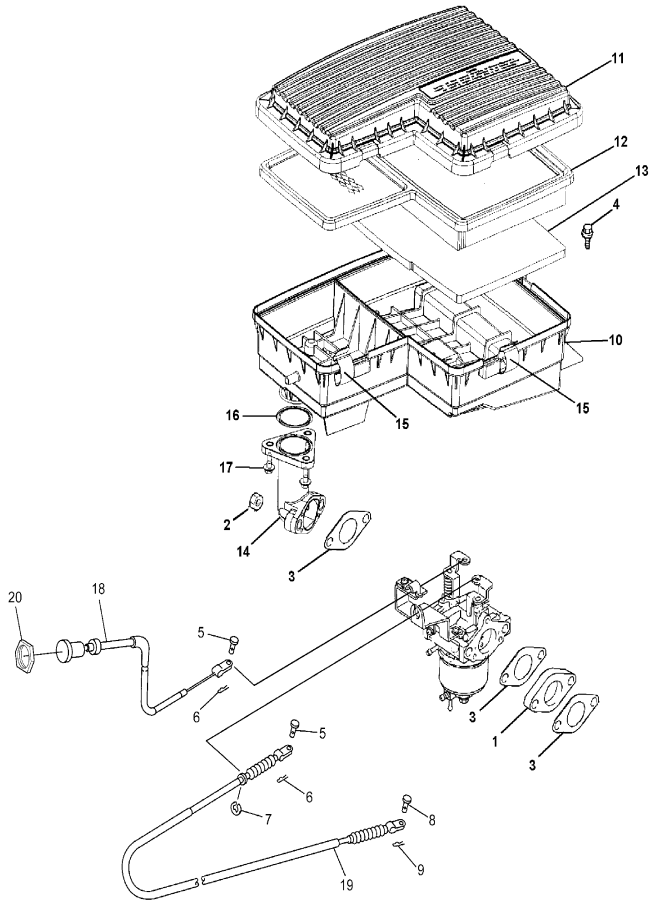
AIR SHROUD FAN	A6
ALTERNATE FOR SUN ROOF	D4
ALTERNATE FOR WINDSHIELD	D3
BODY	C5
BODY 2	C6
BODY FITTING	C7
BUMPER	C4
CAMSHAFT VALVE	A5
CARBURETOR	A8
CARRIER	C8
CRANKCASE	A10
CRANKSHAFT PISTON	A4
CYLINDER HEAD	A3
ELECTRICAL 1	C12
ELECTRICAL 2	D1-2
ENGINE 1	A2
ENGINE BRACKET	A11
EXHAUST	A9
FRAME	B1
FRONT SUSPENSION	B2
FUEL TANK	B5
GOVERNOR	B8
INTAKE	A7
PEDAL ASSEMBLY	B6-7
PRIMARY SHEAVE	B9
REAR ARM SUSPENSION	A12
SEAT	C9
SECONDARY SHEAVE	B10
SHIFTER CABLES	C2
STARTING MOTOR	C10-11
STEERING	B3-4
TRANSAXLE BRAKE	B11-12, C1
WHEEL	C3



JW11100-E050

INTAKE

Ref. No.	Part Number	Description	Qty	Remarks
1	JN6-13595-00-00	JOINT	1	
2	95707-08500-00	NUT, FLANGE	2	
3	JN6-13567-00-00	GASKET	3	
4	90119-06838-00	BOLT, WITH WASHER	2	
5	91790-05010-00	PIN, CLEVIS	2	
6	90468-10050-00	CLIP	2	
7	99080-07600-00	CIRCLIP	1	
8	91790-05010-00	PIN, CLEVIS	1	
9	90468-10050-00	CLIP	1	
10	JU0-E4411-00-00	CASE, AIR CLEANER 1	1	
11	JU0-E4412-00-00	CAP, CLEANER CASE 1	1	
12	JU0-E4450-00-00	ELEMENT ASSY, AIR CLEANER	1	
13	JU0-E445E-00-00	FILTER 1	1	
14	JU0-E3505-09-00	JOINT, CARBURETOR 1	1	
15	5UH-E4424-00-00	CLIP, CAP FITTING	5	
16	93210-398D6-00	O-RING	1	
17	90105-06862-00	BOLT, FLANGE	3	
18	JW1-F6312-00-00	CABLE, THROTTLE 2	1	
19	JW1-F6331-00-00	CABLE, STARTER 1	1	
20	JU0-F6333-00-00	NUT	1	



CONTENTS

AIR SHROUD FAN	A6
ALTERNATE FOR SUN ROOF	D4
ALTERNATE FOR WINDSHIELD	D3
BODY	C5
BODY 2	C6
BODY FITTING	C7
BUMPER	C4
CAMSHAFT VALVE	A5
CARBURETOR	A8
CARRIER	C8
CRANKCASE	A10
CRANKSHAFT PISTON	A4
CYLINDER HEAD	A3
ELECTRICAL 1	C12
ELECTRICAL 2	D1-2
ENGINE 1	A2
ENGINE BRACKET	A11
EXHAUST	A9
FRAME	B1
FRONT SUSPENSION	B2
FUEL TANK	B5
GOVERNOR	B8
INTAKE	A7
PEDAL ASSEMBLY	B6-7
PRIMARY SHEAVE	B9
REAR ARM SUSPENSION	A12
SEAT	C9
SECONDARY SHEAVE	B10
SHIFTER CABLES	C2
STARTING MOTOR	C10-11
STEERING	B3-4
TRANSAXLE BRAKE	B11-12, C1
WHEEL	C3



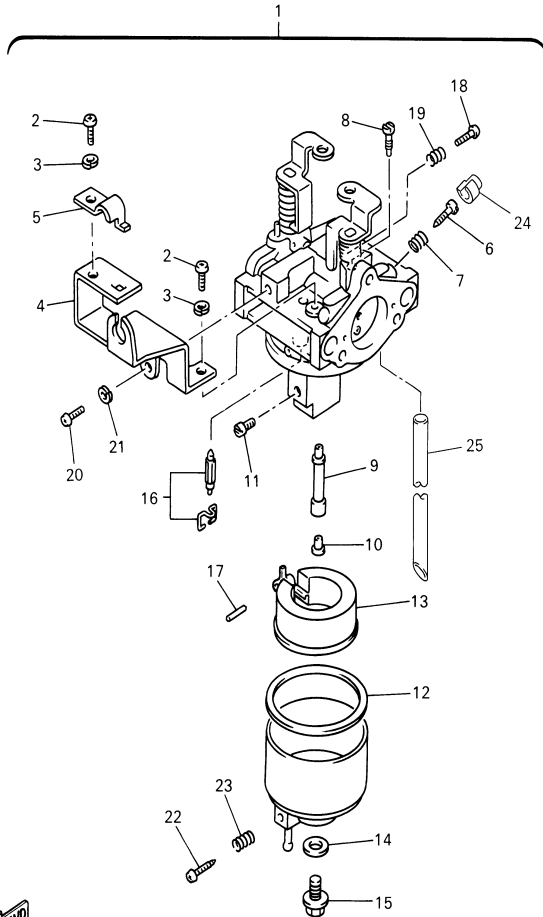
JU0100-5050

CARBURETOR

CONTENTS

AIR SHROUD FAN	A6
ALTERNATE FOR SUN ROOF	D4
ALTERNATE FOR WINDSHIELD	D3
BODY	C5
BODY 2	C6
BODY FITTING	C7
BUMPER	C4
CAMSHAFT VALVE	A5
CARBURETOR	A8
CARRIER	C8
CRANKCASE	A10
CRANKSHAFT PISTON	A4
CYLINDER HEAD	A3
ELECTRICAL 1	C12
ELECTRICAL 2	D1-2
ENGINE 1	A2
ENGINE BRACKET	A11
EXHAUST	A9
FRAME	B1
FRONT SUSPENSION	B2
FUEL TANK	B5
GOVERNOR	B8
INTAKE	A7
PEDAL ASSEMBLY	B6-7
PRIMARY SHEAVE	B9
REAR ARM SUSPENSION	A12
SEAT	C9
SECONDARY SHEAVE	B10
SHIFTER CABLES	C2
STARTING MOTOR	C10-11
STEERING	B3-4
TRANSAXLE BRAKE	B11-12,C1
WHEEL	C3

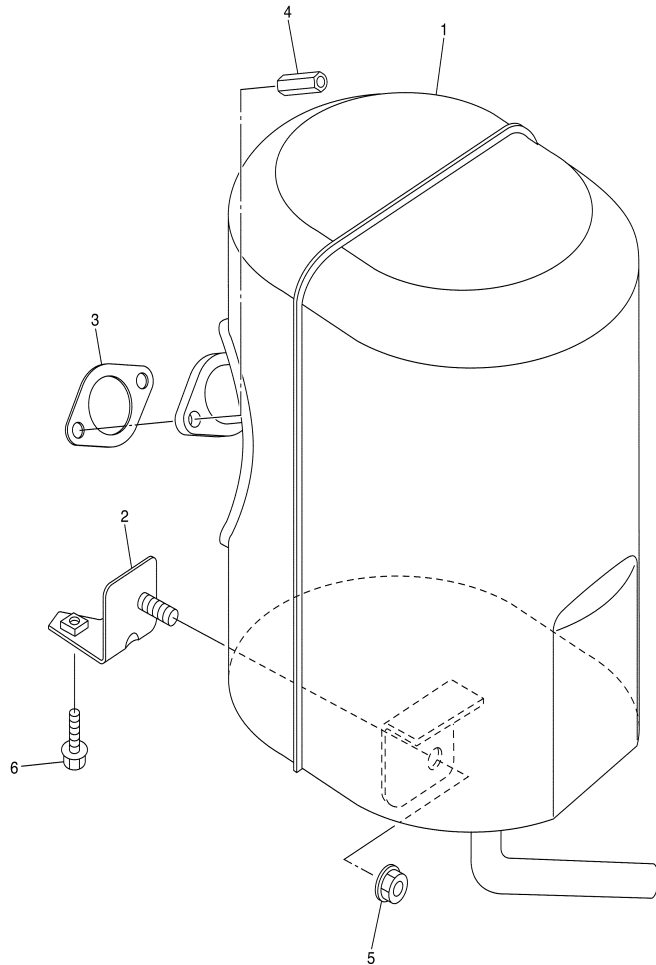
Ref. No.	Part Number	Description	Qty	Remarks
1	JR6-14101-00-00	CARBURETOR ASSY 1	1	
2	98507-05008-00	. SCREW, PAN HEAD	2	
3	92990-05100-00	. WASHER, SPRING	2	
4	JN6-14291-00-00	. BRACKET 1	1	
5	J10-14227-00-00	. PLATE	1	
6	7NJ-14211-00-00	. SCREW, PILOT ADJUSTING	1	
7	73A-14212-10-00	. SPRING	1	
8	732-14142-65-A0	. JET, PILOT (# 65)	1	
9	JN6-1495H-3B-00	. NOZZLE, MAIN	1	
10	73A-1414G-00-00	. PIPE, MAIN BLEED	1	
11	3G2-1423A-67-00	. JET, MAIN (# 82.5)	1	AP
	3G2-1423A-68-00	. JET, MAIN (# 87.5)	1	STD
	3G2-1423E-33-A0	. JET, MAIN (#83.8)	1	AP
12	796-14184-00-00	. GASKET, FLOAT CHAMBER	1	
13	JN6-14185-00-00	. FLOAT	1	
14	127-14198-00-00	. GASKET	1	
15	7R1-14162-00-00	. BOLT, HOLDING	1	
16	JN5-14150-00-00	. NEEDLE ASSY (WITH CLIP)	1	
17	22F-14186-00-00	. PIN, FLOAT	1	
18	1WG-14922-00-00	. SCREW, THROTTLE	1	
19	73A-14212-10-00	. SPRING	1	
20	98507-04010-00	. SCREW, PAN HEAD	1	
21	92990-04100-00	. WASHER, SPRING	1	
22	7E1-14191-00-00	. PLUG, DRAIN	1	
23	73A-14212-00-00	. SPRING	1	
24	7LV-14118-00-00	. CAP	1	
25	1KT-14197-01-00	. PIPE	1	



JR61100-1060

EXHAUST

Ref. No.	Part Number	Description	Qty	Remarks
1	JW1-E4710-00-00	MUFFLER ASSY 1	1	
2	JU0-F1436-00-00	BRKT., MUFF. 2	1	
3	7KY-14613-01-00	GASKET, EXHAUST 1	1	
4	90179-08879-00	NUT	2	
5	90185-08841-00	NUT, SELF-LOCKING	1	
6	90119-08825-00	BOLT, WITH WASHER	1	



JW11100-E080

CONTENTS

AIR SHROUD FAN	A6
ALTERNATE FOR SUN ROOF	D4
ALTERNATE FOR WINDSHIELD	D3
BODY	C5
BODY 2	C6
BODY FITTING	C7
BUMPER	C4
CAMSHAFT VALVE	A5
CARBURETOR	A8
CARRIER	C8
CRANKCASE	A10
CRANKSHAFT PISTON	A4
CYLINDER HEAD	A3
ELECTRICAL 1	C12
ELECTRICAL 2	D1-2
ENGINE 1	A2
ENGINE BRACKET	A11
EXHAUST	A9
FRAME	B1
FRONT SUSPENSION	B2
FUEL TANK	B5
GOVERNOR	B8
INTAKE	A7
PEDAL ASSEMBLY	B6-7
PRIMARY SHEAVE	B9
REAR ARM SUSPENSION	A12
SEAT	C9
SECONDARY SHEAVE	B10
SHIFTER CABLES	C2
STARTING MOTOR	C10-11
STEERING	B3-4
TRANSAXLE BRAKE	B11-12, C1
WHEEL	C3

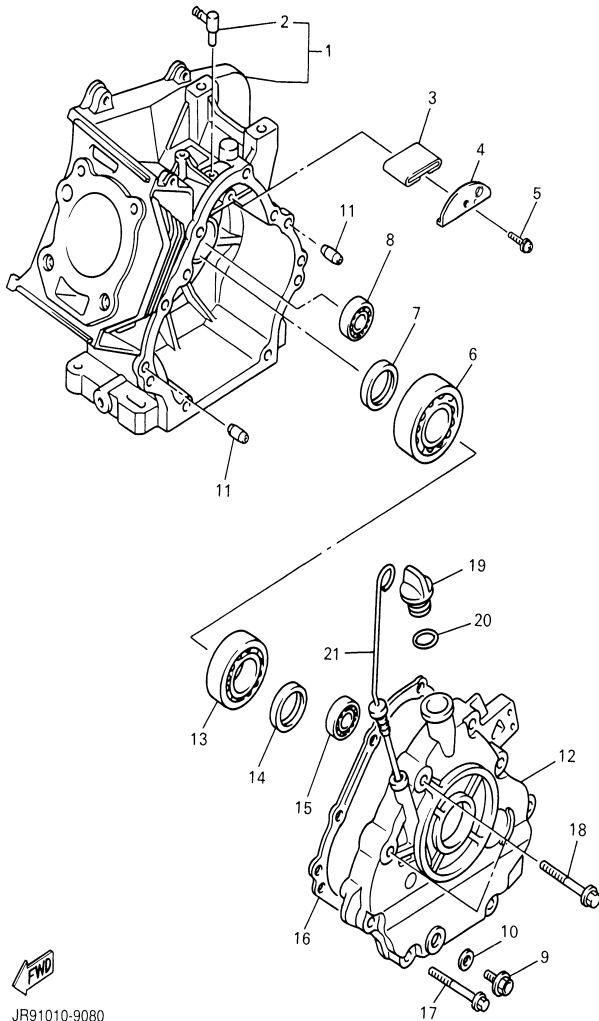
A9

CRANKCASE

Ref. No.	Part Number	Description	Qty	Remarks
1	JR7-15100-00-00	CRANKCASE ASSY	1	
2	JN6-15155-00-00	. NOZZLE 3	1	
3	JR7-15407-00-00	ELEMENT 1	1	
4	JR7-15123-00-00	PLATE, BAFFLE 1	1	
5	98517-06012-00	SCREW, WITH WASHER	1	
6	93306-30709-00	BEARING	1	
7	93102-35014-00	OIL SEAL	1	
8	93306-20211-00	BEARING	1	
9	90340-12097-00	PLUG, STRAIGHT SCREW	1	
10	812-11198-00-00	GASKET	1	
11	91808-16023-00	PIN, DOWEL	2	
12	JN6-15411-01-00	COVER, CRANKCASE 1	1	
13	93306-20716-00	BEARING	1	
14	93102-35014-00	OIL SEAL	1	
15	93306-20211-00	BEARING	1	
16	JN6-15451-02-00	GASKET, CRANKCASE COVER 1	1	
17	95817-08045-00	BOLT, FLANGE	6	
18	95817-10050-00	BOLT, FLANGE	2	
19	7EN-51118-00-00	PLUG, OIL	1	
20	93210-22344-00	O-RING	1	
21	J38-15361-00-00	GAUGE, LEVEL	1	

CONTENTS

AIR SHROUD FAN	A6
ALTERNATE FOR SUN ROOF	D4
ALTERNATE FOR WINDSHIELD	D3
BODY	C5
BODY 2	C6
BODY FITTING	C7
BUMPER	C4
CAMSHAFT VALVE	A5
CARBURETOR	A8
CARRIER	C8
CRANKCASE	A10
CRANKSHAFT PISTON	A4
CYLINDER HEAD	A3
ELECTRICAL 1	C12
ELECTRICAL 2	D1-2
ENGINE 1	A2
ENGINE BRACKET	A11
EXHAUST	A9
FRAME	B1
FRONT SUSPENSION	B2
FUEL TANK	B5
GOVERNOR	B8
INTAKE	A7
PEDAL ASSEMBLY	B6-7
PRIMARY SHEAVE	B9
REAR ARM SUSPENSION	A12
SEAT	C9
SECONDARY SHEAVE	B10
SHIFTER CABLES	C2
STARTING MOTOR	C10-11
STEERING	B3-4
TRANSAXLE BRAKE	B11-12,C1
WHEEL	C3



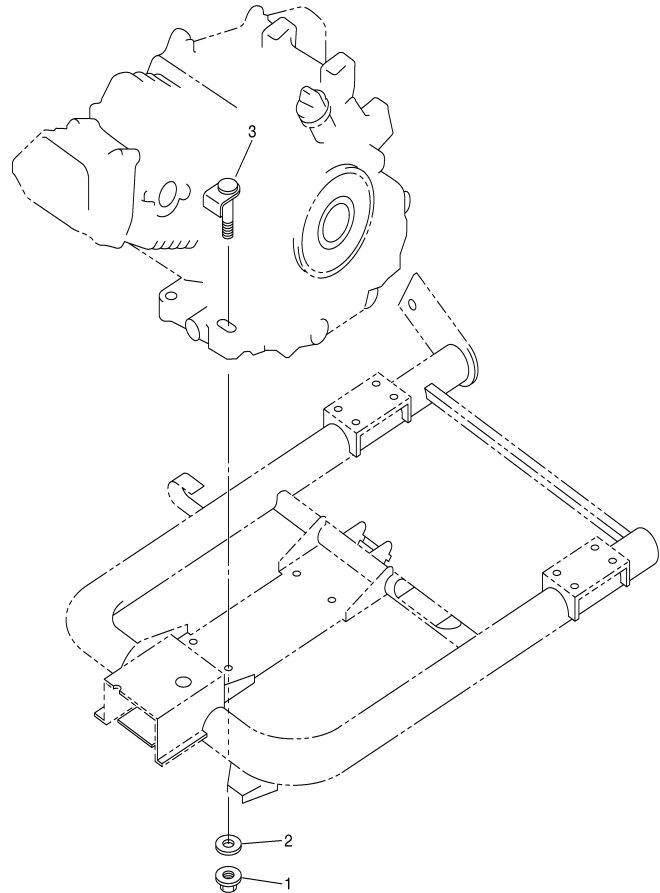
JR91010-9080

A10

G29A_YDRA

ENGINE BRACKET

Ref. No.	Part Number	Description	Qty	Remarks
1	9560P-10200-00	NUT, FLANGE	4	
2	92907-10200-00	WASHER	4	
3	JT0-21481-00-00	BOLT, ENGINE MOUNTING 1 .	4	



JU02100-D100

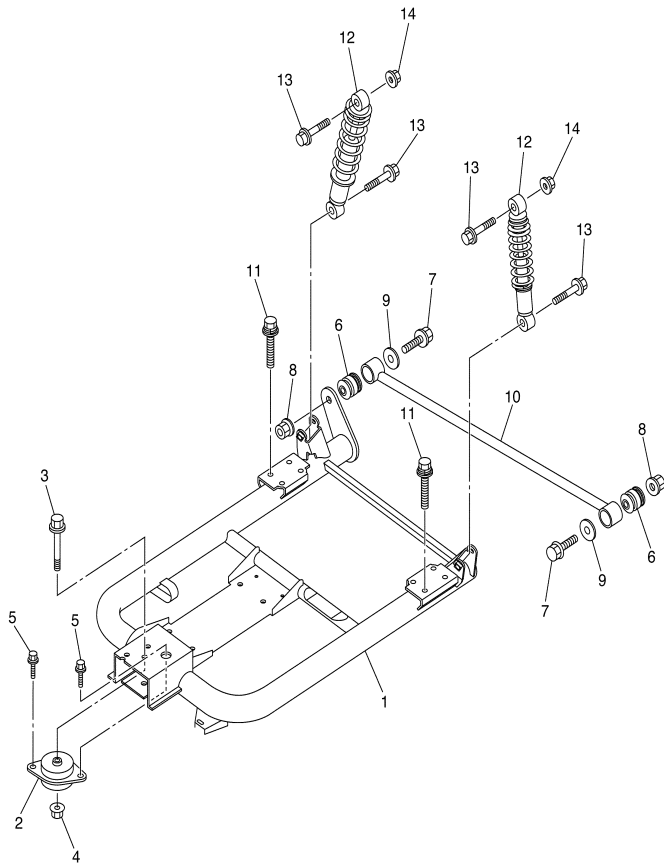
CONTENTS

AIR SHROUD FAN	A6
ALTERNATE FOR SUN ROOF	D4
ALTERNATE FOR WINDSHIELD	D3
BODY	C5
BODY 2	C6
BODY FITTING	C7
BUMPER	C4
CAMSHAFT VALVE	A5
CARBURETOR	A8
CARRIER	C8
CRANKCASE	A10
CRANKSHAFT PISTON	A4
CYLINDER HEAD	A3
ELECTRICAL 1	C12
ELECTRICAL 2	D1-2
ENGINE 1	A2
ENGINE BRACKET	A11
EXHAUST	A9
FRAME	B1
FRONT SUSPENSION	B2
FUEL TANK	B5
GOVERNOR	B8
INTAKE	A7
PEDAL ASSEMBLY	B6-7
PRIMARY SHEAVE	B9
REAR ARM SUSPENSION	A12
SEAT	C9
SECONDARY SHEAVE	B10
SHIFTER CABLES	C2
STARTING MOTOR	C10-11
STEERING	B3-4
TRANSAXLE BRAKE	B11-12,C1
WHEEL	C3

A11

G29A_YDRA

REAR ARM SUSPENSION



Ref. No.	Part Number	Description	Qty	Remarks
1	JW1-F2110-00-00	REAR ARM COMP.	1	
2	JN6-F2123-10-00	BUSH 1	1	
3	90105-13864-00	BOLT, FLANGE	1	
4	90179-13878-00	NUT	1	
5	JW1-F1531-00-00	BOLT	2	
6	JN6-F2124-10-00	BUSH 2	2	
7	95817-12065-00	BOLT, FLANGE	2	
8	95607-12200-00	NUT, SELF-LOCKING	2	
9	90201-128S4-00	WASHER, PLATE	2	
10	JW1-F217G-00-00	ROD, CONNECTING 2	1	
11	9751P-10650-00	BOLT, WITH WASHER	8	
12	JW1-F2210-00-00	SHOCK ABSORBER ASSY, REAR	2	
13	95817-10055-00	BOLT, FLANGE	4	
14	9560P-10200-00	NUT, FLANGE	2	

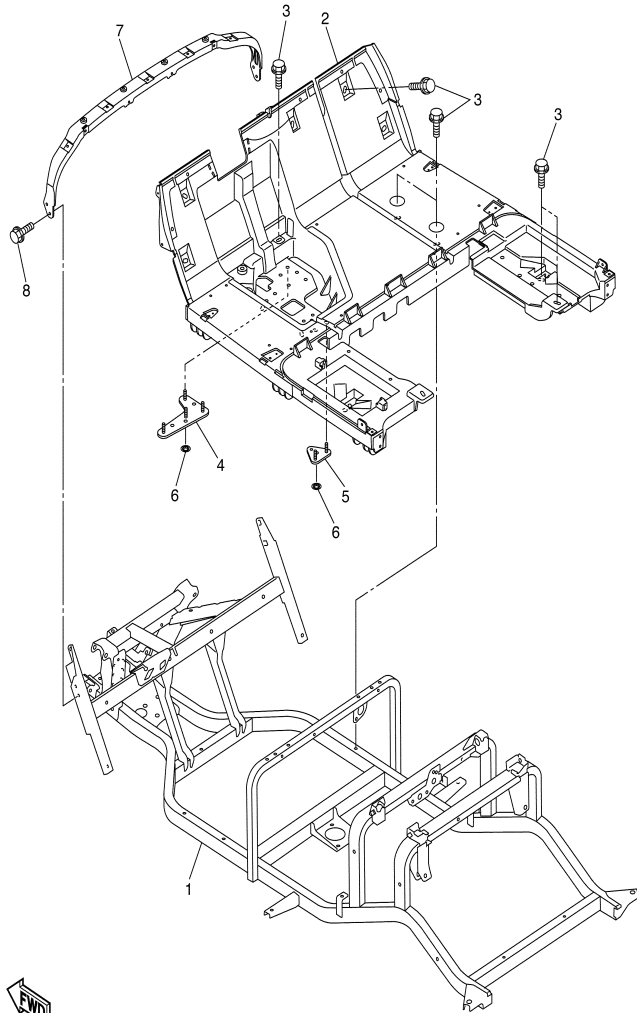
CONTENTS

AIR SHROUD FAN	A6
ALTERNATE FOR SUN ROOF	D4
ALTERNATE FOR WINDSHIELD	D3
BODY	C5
BODY 2	C6
BODY FITTING	C7
BUMPER	C4
CAMSHAFT VALVE	A5
CARBURETOR	A8
CARRIER	C8
CRANKCASE	A10
CRANKSHAFT PISTON	A4
CYLINDER HEAD	A3
ELECTRICAL 1	C12
ELECTRICAL 2	D1-2
ENGINE 1	A2
ENGINE BRACKET	A11
EXHAUST	A9
FRAME	B1
FRONT SUSPENSION	B2
FUEL TANK	B5
GOVERNOR	B8
INTAKE	A7
PEDAL ASSEMBLY	B6-7
PRIMARY SHEAVE	B9
REAR ARM SUSPENSION	A12
SEAT	C9
SECONDARY SHEAVE	B10
SHIFTER CABLES	C2
STARTING MOTOR	C10-11
STEERING	B3-4
TRANSAXLE BRAKE	B11-12, C1
WHEEL	C3



JW11100-E110

FRAME



Ref. No.	Part Number	Description	Qty	Remarks
1	JW1-F2501-00-00	FRAME COMP.	1	
2	JW1-F7411-00-00	FOOTREST 1	1	
3	JW1-F1738-00-00	BOLT	14	
4	JW1-F2545-00-00	SUPPORT, PEDAL BRACKET .	1	
5	JW1-F2588-00-00	BRACKET, BRAKE PEDAL ...	1	
6	90183-08800-00	NUT, SPRING	2	
7	JW1-F258G-00-00	BRACKET, DASH UPPER 1 ...	1	
8	90105-06831-00	BOLT, FLANGE	4	

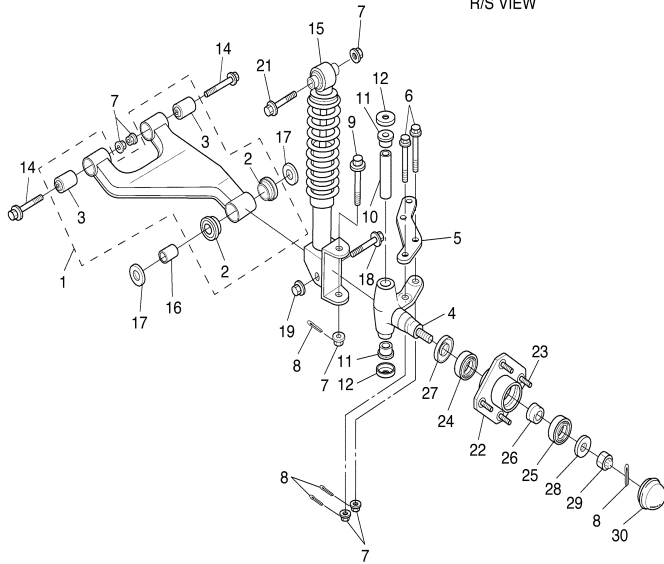
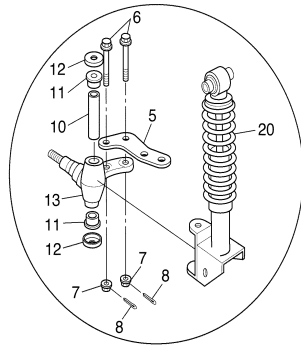
CONTENTS

AIR SHROUD FAN	A6
ALTERNATE FOR SUN ROOF	D4
ALTERNATE FOR WINDSHIELD	D3
BODY	C5
BODY 2	C6
BODY FITTING	C7
BUMPER	C4
CAMSHAFT VALVE	A5
CARBURETOR	A8
CARRIER	C8
CRANKCASE	A10
CRANKSHAFT PISTON	A4
CYLINDER HEAD	A3
ELECTRICAL 1	C12
ELECTRICAL 2	D1-2
ENGINE 1	A2
ENGINE BRACKET	A11
EXHAUST	A9
FRAME	B1
FRONT SUSPENSION	B2
FUEL TANK	B5
GOVERNOR	B8
INTAKE	A7
PEDAL ASSEMBLY	B6-7
PRIMARY SHEAVE	B9
REAR ARM SUSPENSION	A12
SEAT	C9
SECONDARY SHEAVE	B10
SHIFTER CABLES	C2
STARTING MOTOR	C10-11
STEERING	B3-4
TRANSAXLE BRAKE	B11-12,C1
WHEEL	C3



JW11100-E120

FRONT SUSPENSION



Ref. No.	Part Number	Description	Qty	Remarks
1	JU0-F3570-20-00	FRONT LOWER ARM COMP.	2	
2	90381-18001-00	. BUSH, SOLID	2	
3	2HR-23526-00-00	. BUSH	2	
4	JU0-F3511-00-00	KNUCKLE, STEERING 1	1	
5	JW1-F3512-00-00	ARM, KNUCKLE 1	2	
6	90105-10728-00	BOLT, FLANGE	4	
7	95607-10200-00	NUT, U FLANGE	12	
8	91490-25020-00	PIN, COTTER	8	
9	90105-10064-00	BOLT, FLANGE	2	
10	2NL-23448-00-00	SPACER	2	
11	90381-17067-00	BUSH, SOLID	4	
12	3JN-23517-00-00	COVER, THRUST 1	4	
13	JU0-F3521-00-00	KNUCKLE, STEERING 2	1	
14	90105-10890-00	BOLT, FLANGE	4	
15	JW1-F3350-00-00	SHOCK ABSORBER ASSY	1	
16	90387-12016-00	COLLAR	2	
17	401-22128-01-00	COVER, THRUST 1	4	
18	95817-12080-00	BOLT, FLANGE	2	
19	9561P-12100-00	NUT	2	
20	JW1-F3390-00-00	SHOCK ABSORBER ASSY 2	1	
21	95817-10065-00	BOLT, FLANGE	2	
22	JG5-WF511-10-00	HUB, FRONT	2	
23	90114-12800-00	BOLT, SERRATION	8	
24	93306-204X0-00	BEARING	2	
25	93306-005Y3-00	BEARING	2	
26	90387-241M7-00	COLLAR	2	
27	93102-30083-00	OIL SEAL	2	
28	90209-32832-00	WASHER	2	
29	95617-14100-00	NUT, U	2	
30	JN6-F5118-00-00	COVER, HUB DUST	2	

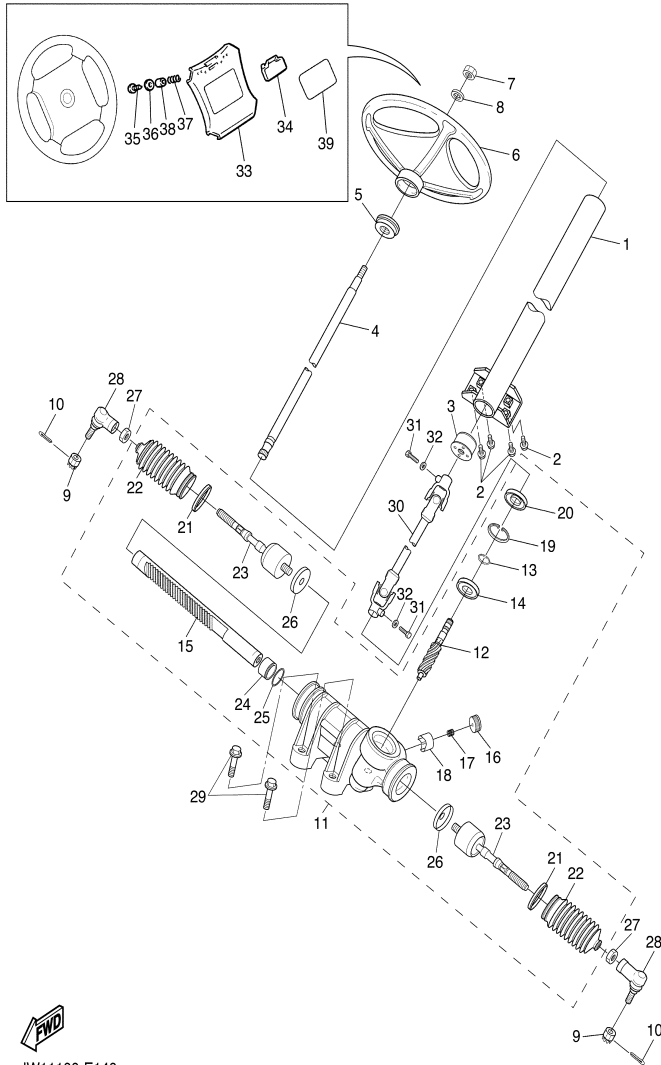
CONTENTS

AIR SHROUD FAN	A6
ALTERNATE FOR SUN ROOF	D4
ALTERNATE FOR WINDSHIELD	D3
BODY	C5
BODY 2	C6
BODY FITTING	C7
BUMPER	C4
CAMSHAFT VALVE	A5
CARBURETOR	A8
CARRIER	C8
CRANKCASE	A10
CRANKSHAFT PISTON	A4
CYLINDER HEAD	A3
ELECTRICAL 1	C12
ELECTRICAL 2	D1-2
ENGINE 1	A2
ENGINE BRACKET	A11
EXHAUST	A9
FRAME	B1
FRONT SUSPENSION	B2
FUEL TANK	B5
GOVERNOR	B8
INTAKE	A7
PEDAL ASSEMBLY	B6-7
PRIMARY SHEAVE	B9
REAR ARM SUSPENSION	A12
SEAT	C9
SECONDARY SHEAVE	B10
SHIFTER CABLES	C2
STARTING MOTOR	C10-11
STEERING	B3-4
TRANSAXLE BRAKE	B11-12, C1
WHEEL	C3



JW11100-E130

STEERING




JW11100-E140

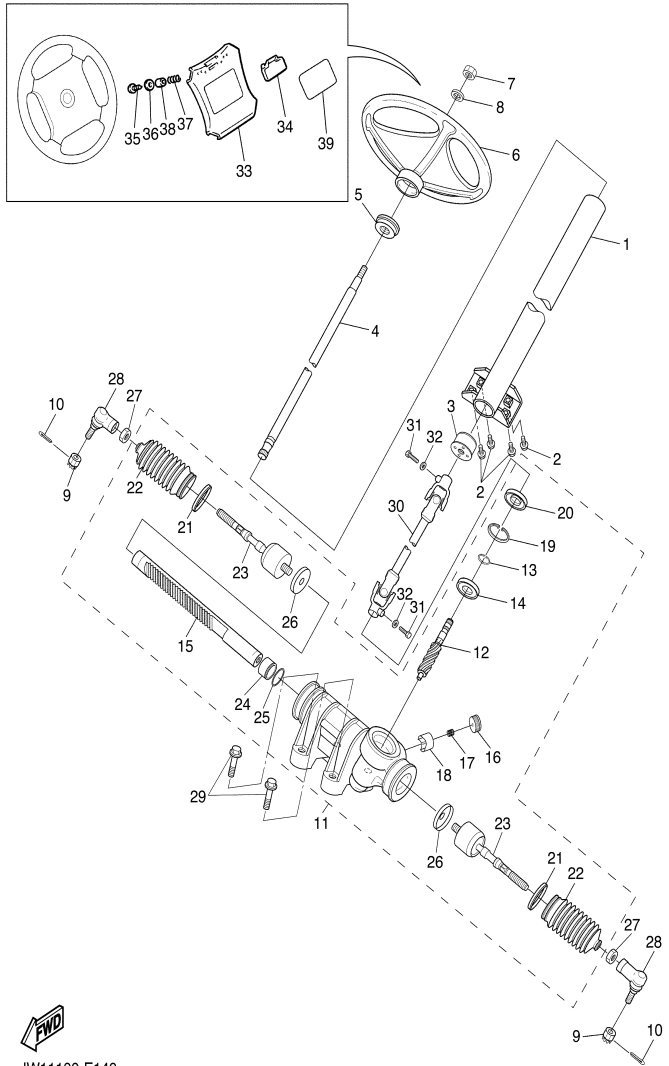
Ref. No.	Part Number	Description	Qty	Remarks
1	JW1-F3811-00-00	COLUMN, STEERING	1	
2	9581P-08016-00	BOLT, FLANGE	4	
3	JU0-F3857-10-00	HOLDER	1	
4	JU0-F3828-00-00	ROD, STEERING	1	
5	JN3-F3814-00-00	HOLDER, HANDLE UPPER	1	
6	JN3-F3838-00-00	WHEEL, STEERING	1	
7	95617-12100-00	NUT, SELF-LOCKING	1	
8	9290P-12200-00	WASHER	1	
9	95607-12200-00	NUT, SELF-LOCKING	2	
10	91490-25020-00	PIN, COTTER	2	
11	JW1-F3400-00-00	STEERING ASSY	1	
12	JW1-F387A-00-00	. GEAR, PINION	1	
13	JW1-F3183-00-00	. CIRCLIP	1	
14	JW1-F339Y-00-00	. BEARING	1	
15	JW1-F387E-00-00	. GEAR, RACK	1	
16	5UG-F387G-00-00	. COVER, ADJUST	1	
17	5UG-F387K-00-00	. SPRING, PRESSURE	1	
18	5UG-F387F-00-00	. PAD, PRESSURE	1	
19	5UG-F387J-00-00	. RING, STOPPER	1	
20	5UG-F3844-00-00	. SEAL	1	
21	5UG-F3489-00-00	. BAND	2	
22	5UG-F3527-00-00	. SEAL, DUST 1	2	
23	JW1-F3837-00-00	. ROD, TIE 2	2	
24	JW1-F467K-00-00	. BUSH, CAP	1	
25	JW1-F3866-00-00	. RING, SNAP	1	
26	JW1-F3894-00-00	. WASHER, LOCK 1	2	
27	4XE-F3833-00-00	NUT 1	2	
28	JU0-F3841-00-00	JOINT, UNIVERSAL 1	2	
29	90105-10810-00	BOLT, FLANGE	4	
30	JW1-F3822-00-00	JOINT 1	1	

CONTINUED ON NEXT FRAME ►

CONTENTS

AIR SHROUD FAN	A6
ALTERNATE FOR SUN ROOF	D4
ALTERNATE FOR WINDSHIELD	D3
BODY	C5
BODY 2	C6
BODY FITTING	C7
BUMPER	C4
CAMSHAFT VALVE	A5
CARBURETOR	A8
CARRIER	C8
CRANKCASE	A10
CRANKSHAFT PISTON	A4
CYLINDER HEAD	A3
ELECTRICAL 1	C12
ELECTRICAL 2	D1-2
ENGINE 1	A2
ENGINE BRACKET	A11
EXHAUST	A9
FRAME	B1
FRONT SUSPENSION	B2
FUEL TANK	B5
GOVERNOR	B8
INTAKE	A7
PEDAL ASSEMBLY	B6-7
PRIMARY SHEAVE	B9
REAR ARM SUSPENSION	A12
SEAT	C9
SECONDARY SHEAVE	B10
SHIFTER CABLES	C2
STARTING MOTOR	C10-11
STEERING	B3-4
TRANSAXLE BRAKE	B11-12, C1
WHEEL	C3

STEERING



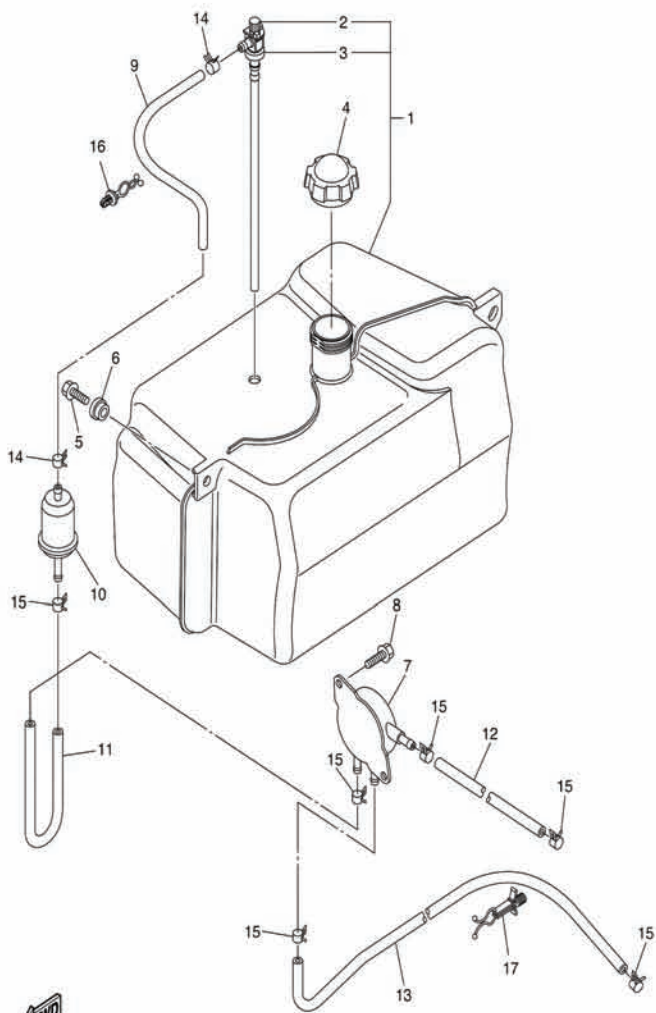
JW11100-E140

Ref. No.	Part Number	Description	Qty	Remarks
31	97017-08030-00	BOLT	2	
32	92907-08600-00	WASHER, PLATE	2	
33	JN3-K8357-00-00	HOLDER 1	1	
34	JN6-K8358-01-00	HOLDER 2	1	
35	97707-40625-00	SCREW, TAPPING	2	
36	90201-044H9-00	WASHER, PLATE	2	
37	90502-10013-00	SPRING, CONICAL	2	
38	90387-046N7-00	COLLAR	2	
39	JU0-K7762-00-00	LABEL, WARNING 2 (E)	1	

CONTENTS

AIR SHROUD FAN	A6
ALTERNATE FOR SUN ROOF	D4
ALTERNATE FOR WINDSHIELD	D3
BODY	C5
BODY 2	C6
BODY FITTING	C7
BUMPER	C4
CAMSHAFT VALVE	A5
CARBURETOR	A8
CARRIER	C8
CRANKCASE	A10
CRANKSHAFT PISTON	A4
CYLINDER HEAD	A3
ELECTRICAL 1	C12
ELECTRICAL 2	D1-2
ENGINE 1	A2
ENGINE BRACKET	A11
EXHAUST	A9
FRAME	B1
FRONT SUSPENSION	B2
FUEL TANK	B5
GOVERNOR	B8
INTAKE	A7
PEDAL ASSEMBLY	B6-7
PRIMARY SHEAVE	B9
REAR ARM SUSPENSION	A12
SEAT	C9
SECONDARY SHEAVE	B10
SHIFTER CABLES	C2
STARTING MOTOR	C10-11
STEERING	B3-4
TRANSAXLE BRAKE	B11-12, C1
WHEEL	C3

FUEL TANK



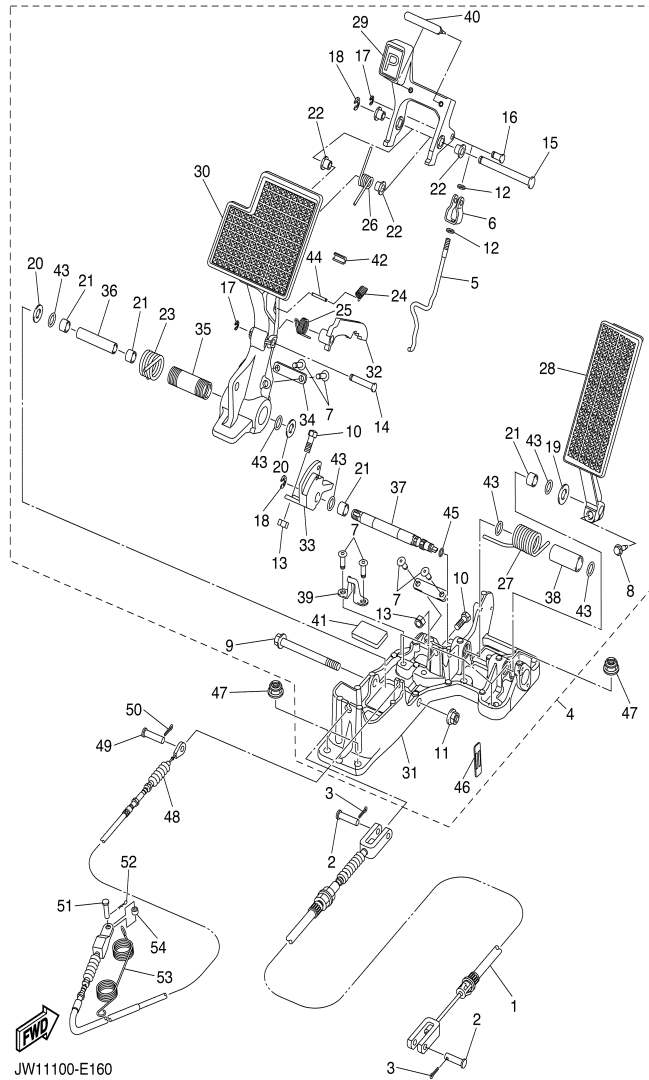
JW11100-E150

Ref. No.	Part Number	Description	Qty	Remarks
1	JW1-F4111-00-00	TANK, FUEL	1	UR SINGLE LAYER
	JW1-F4111-10-00	TANK, FUEL	1	UR COEXTRUDED
2	JW1-F4300-00-00	FUEL PIPE JOINT	2	
3	JU5-F4375-00-00	GROMMET	2	
4	JN6-F4610-00-00	CAP ASSY	1	
5	JW1-F1738-00-00	BOLT	2	
6	90560-08066-00	SPACER	2	
7	JN6-F4410-11-00	FUEL PUMP ASSY	1	
8	JW1-F3394-00-00	BOLT, SPECIAL	2	
9	JW1-F4312-00-00	PIPE 2	1	
10	JN6-F4560-00-00	FILTER ASSY	1	
11	JW1-F4311-00-00	PIPE, FUEL 1	1	
12	JW1-F4313-00-00	PIPE 3	1	
13	JW1-F4314-00-00	PIPE 4	1	
14	90467-12845-00	CLIP	2	
15	90467-10846-00	CLIP	6	
16	JW1-F1977-00-00	CLAMP, FUEL PIPE	1	
17	90464-12836-00	CLAMP	1	

CONTENTS

AIR SHROUD FAN	A6
ALTERNATE FOR SUN ROOF	D4
ALTERNATE FOR WINDSHIELD	D3
BODY	C5
BODY 2	C6
BODY FITTING	C7
BUMPER	C4
CAMSHAFT VALVE	A5
CARBURETOR	A8
CARRIER	C8
CRANKCASE	A10
CRANKSHAFT PISTON	A4
CYLINDER HEAD	A3
ELECTRICAL 1	C12
ELECTRICAL 2	D1-2
ENGINE 1	A2
ENGINE BRACKET	A11
EXHAUST	A9
FRAME	B1
FRONT SUSPENSION	B2
FUEL TANK	B5
GOVERNOR	B8
INTAKE	A7
PEDAL ASSEMBLY	B6-7
PRIMARY SHEAVE	B9
REAR ARM SUSPENSION	A12
SEAT	C9
SECONDARY SHEAVE	B10
SHIFTER CABLES	C2
STARTING MOTOR	C10-11
STEERING	B3-4
TRANSAXLE BRAKE	B11-12, C1
WHEEL	C3

PEDAL ASSEMBLY



JW11100-E160

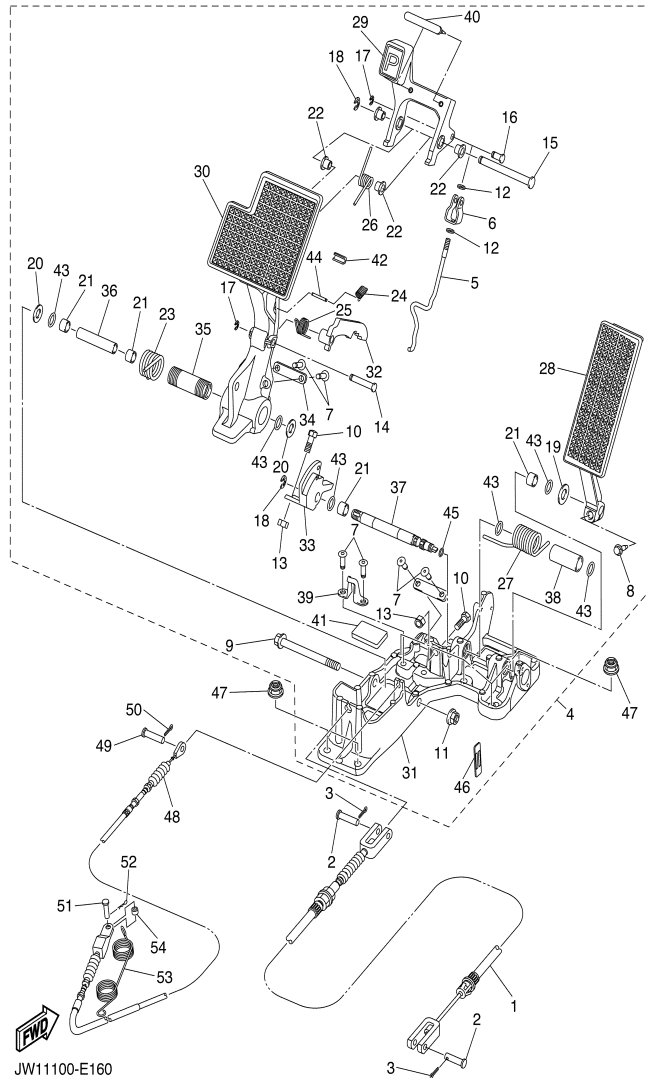
Ref. No.	Part Number	Description	Qty	Remarks
1	JW1-F6341-00-00	WIRE, BRAKE 1	1	
2	91701-10028-00	PIN, CLEVIS	2	
3	91490-30020-00	PIN, COTTER	2	
4	JW1-F7850-00-00	PEDAL ASSY (L.H)	1	
5	JW1-F720G-00-00	PUSH ROD ASSY	1	
6	JW1-F7232-00-00	END, ROD 2	1	
7	JW1-F1128-00-00	RIVET	6	
8	JW1-F7117-00-00	BOLT, MAIN STAND	1	
9	JW1-F7217-00-00	BOLT	1	
10	JW1-F7227-00-00	BOLT, AJUSTING	2	
11	JW1-F7218-00-00	NUT	1	
12	JW1-F7855-00-00	NUT, RING	2	
13	JW1-F7238-00-00	NUT, ADJUSTING	2	
14	JW1-F5734-00-00	PIN 1	1	
15	JW1-F5744-00-00	PIN 2	1	
16	JW1-F5754-00-00	PIN 3	1	
17	JW1-F5866-00-00	CIRCLIP	2	
18	JW1-F6466-00-00	RING, SNAP	2	
19	JW1-F723F-00-00	WASHER, SPECIAL	1	
20	JW1-F723G-00-00	WASHER, SPECIAL	2	
21	JW1-F582M-00-00	BEARING	4	
22	JW1-F339Y-00-00	BEARING	4	
23	JW1-F7825-00-00	SPRING, RETURN	1	
24	JW1-F5659-00-00	HOOK, SPRING 2	1	
25	JW1-F5658-00-00	HOOK, SPRING 1	1	
26	JW1-F7216-00-00	SPRING, RETURN	1	
27	JW1-F5735-00-00	SPRING, RETURN 1	1	
28	JW1-F7871-00-00	PEDAL, ACCELERATOR	1	
29	JW1-F7252-00-00	LEVER, BRAKE PEDAL	1	
30	JW1-F7211-00-00	PEDAL, BRAKE	1	

CONTENTS

AIR SHROUD FAN	A6
ALTERNATE FOR SUN ROOF	D4
ALTERNATE FOR WINDSHIELD	D3
BODY	C5
BODY 2	C6
BODY FITTING	C7
BUMPER	C4
CAMSHAFT VALVE	A5
CARBURETOR	A8
CARRIER	C8
CRANKCASE	A10
CRANKSHAFT PISTON	A4
CYLINDER HEAD	A3
ELECTRICAL 1	C12
ELECTRICAL 2	D1-2
ENGINE 1	A2
ENGINE BRACKET	A11
EXHAUST	A9
FRAME	B1
FRONT SUSPENSION	B2
FUEL TANK	B5
GOVERNOR	B8
INTAKE	A7
PEDAL ASSEMBLY	B6-7
PRIMARY SHEAVE	B9
REAR ARM SUSPENSION	A12
SEAT	C9
SECONDARY SHEAVE	B10
SHIFTER CABLES	C2
STARTING MOTOR	C10-11
STEERING	B3-4
TRANSAXLE BRAKE	B11-12, C1
WHEEL	C3

CONTINUED ON NEXT FRAME ►

PEDAL ASSEMBLY



Ref. No.	Part Number	Description	Qty	Remarks
31	JW1-F785A-00-00	. PEDAL SET	1	
32	JW1-F5666-00-00	. SECTOR, PARKING BRAKE	1	
33	JW1-F7249-00-00	. PEDAL, LOCK	1	
34	JW1-F7275-00-00	. PLATE	2	
35	JW1-F7243-00-00	. BOSS, BRAKE PEDAL	1	
36	JW1-F7213-00-00	. COLLAR	1	
37	JW1-F7853-00-00	. SHAFT, PEDAL 1	1	
38	JW1-F7814-00-00	. BUSH, PEDAL	1	
39	JW1-F7254-00-00	. HOOK	1	
40	JW1-F5672-00-00	. PAD, PARKING PEDAL	1	
41	JW1-F7257-00-00	. PAD, BRAKE	1	
42	JW1-F5673-00-00	. DAMPER, BRAKE	1	
43	JW1-F3147-00-00	. O-RING	6	
44	JW1-F5677-00-00	. PIN, HOLD 1	1	
45	JW1-F3188-00-00	. O-RING	1	
46	JW1-F118L-00-00	. LABEL, BRAKE	1	
47	9560P-08200-00	NUT	6	
48	JW1-F6311-00-00	CABLE, THROTTLE 1	1	
49	91701-06016-00	PIN, CLEVIS	1	
50	91490-20015-00	PIN, COTTER	1	
51	91790-05014-00	PIN, CLEVIS	1	
52	90468-10050-00	CLIP	1	
53	90508-16460-00	SPRING, TORSION	1	
54	90560-05001-00	SPACER	1	

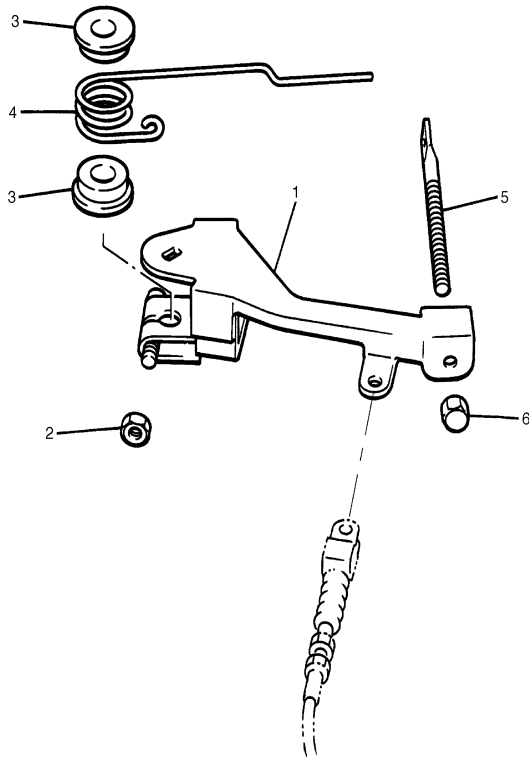
CONTENTS

AIR SHROUD FAN	A6
ALTERNATE FOR SUN ROOF	D4
ALTERNATE FOR WINDSHIELD	D3
BODY	C5
BODY 2	C6
BODY FITTING	C7
BUMPER	C4
CAMSHAFT VALVE	A5
CARBURETOR	A8
CARRIER	C8
CRANKCASE	A10
CRANKSHAFT PISTON	A4
CYLINDER HEAD	A3
ELECTRICAL 1	C12
ELECTRICAL 2	D1-2
ENGINE 1	A2
ENGINE BRACKET	A11
EXHAUST	A9
FRAME	B1
FRONT SUSPENSION	B2
FUEL TANK	B5
GOVERNOR	B8
INTAKE	A7
PEDAL ASSEMBLY	B6-7
PRIMARY SHEAVE	B9
REAR ARM SUSPENSION	A12
SEAT	C9
SECONDARY SHEAVE	B10
SHIFTER CABLES	C2
STARTING MOTOR	C10-11
STEERING	B3-4
TRANSAXLE BRAKE	B11-12, C1
WHEEL	C3

B7

GOVERNOR

Ref. No.	Part Number	Description	Qty	Remarks
1	J38-27951-00-00	LEVER, SPEED LIMITER	1	
2	95317-06600-00	NUT	1	
3	90386-08141-00	BUSH	2	
4	90508-40678-00	SPRING, TORSION	1	
5	J38-27959-00-00	SCREW, ADJUSTING	1	
6	9560P-06200-00	NUT, FLANGE	1	



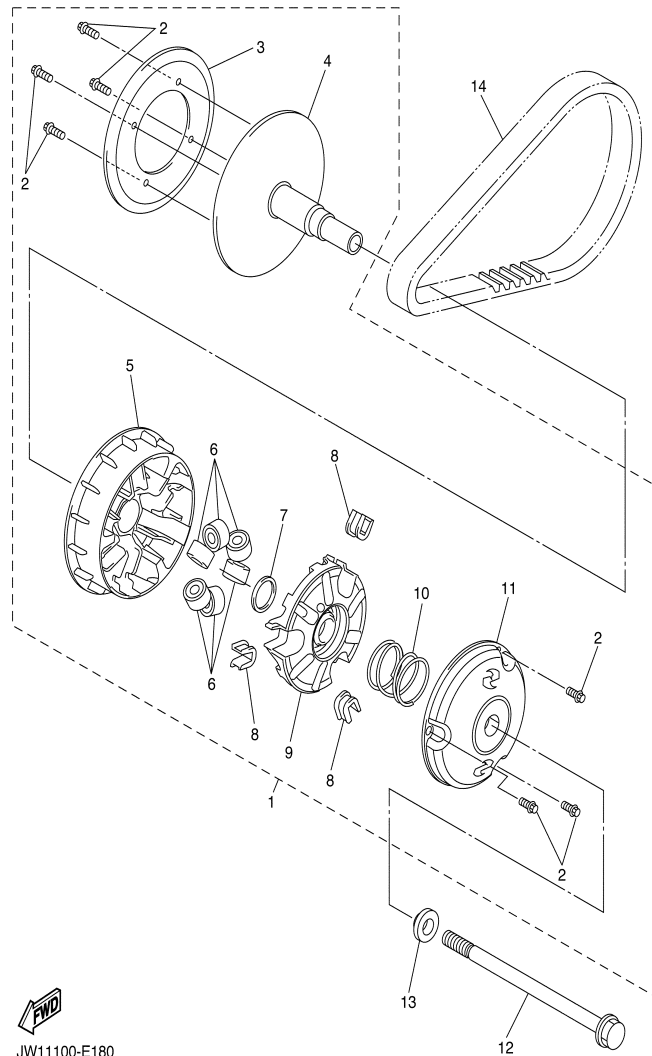
CONTENTS

AIR SHROUD FAN	A6
ALTERNATE FOR SUN ROOF	D4
ALTERNATE FOR WINDSHIELD	D3
BODY	C5
BODY 2	C6
BODY FITTING	C7
BUMPER	C4
CAMSHAFT VALVE	A5
CARBURETOR	A8
CARRIER	C8
CRANKCASE	A10
CRANKSHAFT PISTON	A4
CYLINDER HEAD	A3
ELECTRICAL 1	C12
ELECTRICAL 2	D1-2
ENGINE 1	A2
ENGINE BRACKET	A11
EXHAUST	A9
FRAME	B1
FRONT SUSPENSION	B2
FUEL TANK	B5
GOVERNOR	B8
INTAKE	A7
PEDAL ASSEMBLY	B6-7
PRIMARY SHEAVE	B9
REAR ARM SUSPENSION	A12
SEAT	C9
SECONDARY SHEAVE	B10
SHIFTER CABLES	C2
STARTING MOTOR	C10-11
STEERING	B3-4
TRANSAXLE BRAKE	B11-12,C1
WHEEL	C3



JT71010-B190

PRIMARY SHEAVE



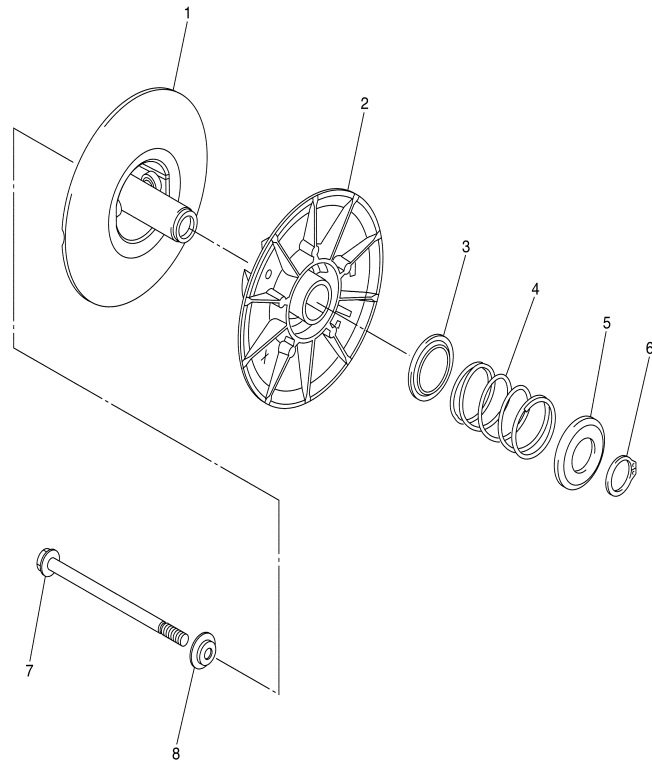

JW11100-E180

Ref. No.	Part Number	Description	Qty	Remarks
1	JW1-G6201-00-00	PRIMARY CLUTCH ASSY	1	
2	JW1-G8171-00-00	. BOLT	7	
3	JW1-G6256-00-00	. PULLEY 1	1	
4	JW1-G6210-00-00	. PRIMARY FIXED SHEAVE COMP.	1	
5	JW1-G6220-00-00	. PRIMARY SLIDING SHEAVE COMP.	1	
6	JW1-G6232-00-00	. WEIGHT 1	6	
7	JW1-G621E-00-00	. SHIM, PINION	1	
8	JW1-G6253-00-00	. SLIDER	3	
9	JW1-G6251-00-00	. SPIDER	1	
10	JW1-G6275-00-00	. SPRING, CLUTCH 1	1	
11	JW1-G6230-00-00	. PRIMARY SHEAVE CAP COMP.	1	
12	JW1-G6249-00-00	BOLT	1	
13	JW1-G2548-00-00	WASHER	1	
14	JW1-G6241-00-00	V-BELT	1	

CONTENTS

AIR SHROUD FAN	A6
ALTERNATE FOR SUN ROOF	D4
ALTERNATE FOR WINDSHIELD	D3
BODY	C5
BODY 2	C6
BODY FITTING	C7
BUMPER	C4
CAMSHAFT VALVE	A5
CARBURETOR	A8
CARRIER	C8
CRANKCASE	A10
CRANKSHAFT PISTON	A4
CYLINDER HEAD	A3
ELECTRICAL 1	C12
ELECTRICAL 2	D1-2
ENGINE 1	A2
ENGINE BRACKET	A11
EXHAUST	A9
FRAME	B1
FRONT SUSPENSION	B2
FUEL TANK	B5
GOVERNOR	B8
INTAKE	A7
PEDAL ASSEMBLY	B6-7
PRIMARY SHEAVE	B9
REAR ARM SUSPENSION	A12
SEAT	C9
SECONDARY SHEAVE	B10
SHIFTER CABLES	C2
STARTING MOTOR	C10-11
STEERING	B3-4
TRANSAXLE BRAKE	B11-12,C1
WHEEL	C3

SECONDARY SHEAVE



Ref. No.	Part Number	Description	Qty	Remarks
1	JW1-G6261-00-00	SHEAVE, SECONDARY FIXED .	1	
2	JW1-G6271-00-00	SECONDARY SLIDING SHEAVE	1	
3	JW1-G6244-00-00	SEAT, SPRING	1	
4	JW1-G6276-00-00	SPRING, CLUTCH 2	1	
5	JW1-G6280-00-00	SECONDARY SPRING SEAT COMP.	1	
6	JW1-F5415-00-00	CIRCLIP	1	
7	90105-08806-00	BOLT, FLANGE	1	
8	90209-08018-00	WASHER	1	

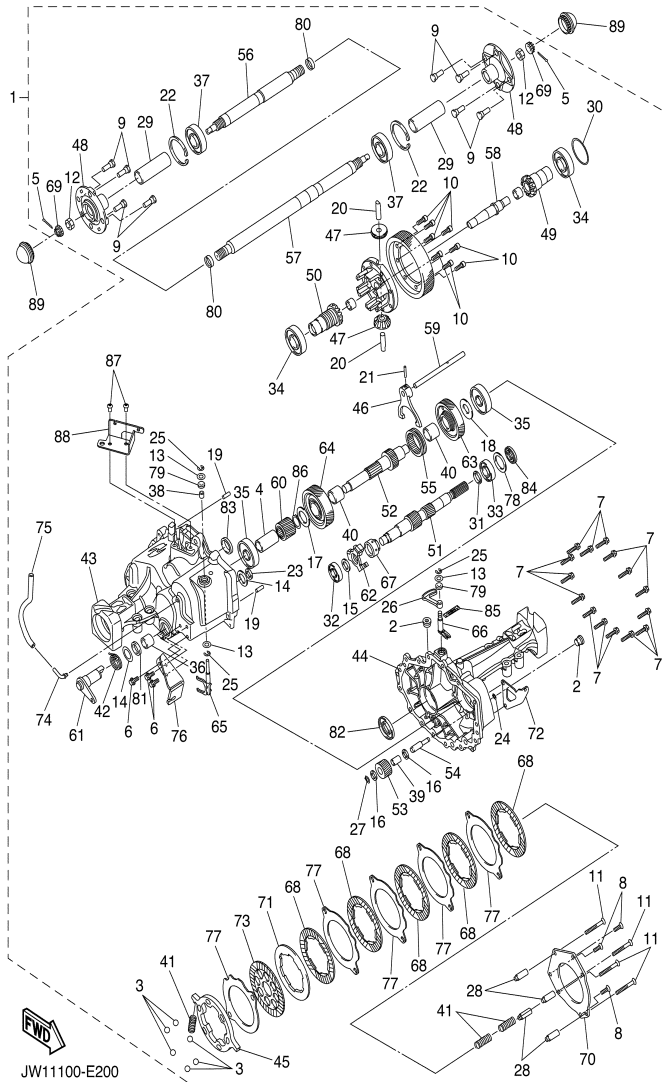
CONTENTS

AIR SHROUD FAN	A6
ALTERNATE FOR SUN ROOF	D4
ALTERNATE FOR WINDSHIELD	D3
BODY	C5
BODY 2	C6
BODY FITTING	C7
BUMPER	C4
CAMSHAFT VALVE	A5
CARBURETOR	A8
CARRIER	C8
CRANKCASE	A10
CRANKSHAFT PISTON	A4
CYLINDER HEAD	A3
ELECTRICAL 1	C12
ELECTRICAL 2	D1-2
ENGINE 1	A2
ENGINE BRACKET	A11
EXHAUST	A9
FRAME	B1
FRONT SUSPENSION	B2
FUEL TANK	B5
GOVERNOR	B8
INTAKE	A7
PEDAL ASSEMBLY	B6-7
PRIMARY SHEAVE	B9
REAR ARM SUSPENSION	A12
SEAT	C9
SECONDARY SHEAVE	B10
SHIFTER CABLES	C2
STARTING MOTOR	C10-11
STEERING	B3-4
TRANSAXLE BRAKE	B11-12,C1
WHEEL	C3



JW11100-E190

TRANSAXLE BRAKE



JW11100-E200

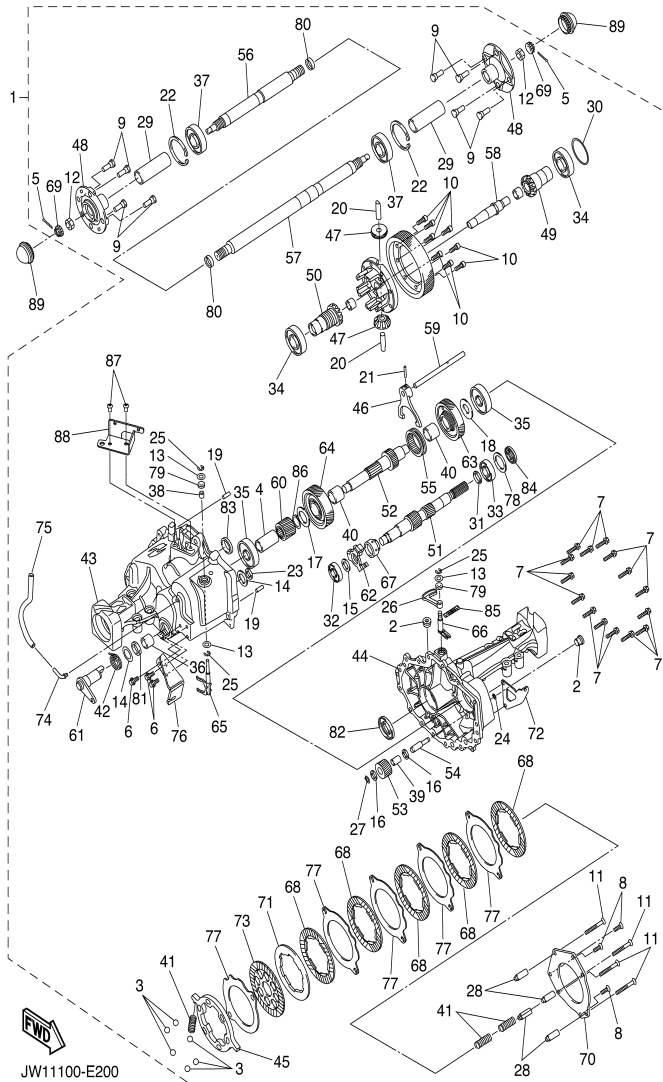
Ref. No.	Part Number	Description	Qty	Remarks
1	JW1-G6300-00-00	TRANS AXLE ASSY	1	
2	JW1-G6168-00-00	PLUG, DRAIN 1	2	
3	JW1-F4684-00-00	BALL	6	
4	JW1-G4132-00-00	BUSHING	1	
5	JW1-G633J-00-00	PIN, COTTER	2	
6	JW1-G4581-00-00	BOLT	3	
7	JW1-G4582-00-00	BOLT, 2	15	
8	JW1-G4189-00-00	SCREW	3	
9	JW1-G4178-00-00	BOLT, STUD	8	
10	JW1-G6155-00-00	BOLT 1	8	
11	JW1-G6158-00-00	BOLT 2	4	
12	JW1-G4583-00-00	NUT	2	
13	JW1-G4126-00-00	WASHER, SHIFT ROD LEVER	3	
14	JW1-G4138-00-00	WASHER	2	
15	JW1-G4177-00-00	WASHER	1	
16	JW1-G4188-00-00	WASHER	2	
17	JW1-G5677-00-00	WASHER	1	
18	JW1-G5618-00-00	WASHER, 1	1	
19	JW1-F536G-00-00	PIN	2	
20	JW1-G4184-00-00	PIN	2	
21	JW1-G4137-00-00	PIN	1	
22	JW1-G4156-00-00	RING, SNAP	2	
23	JW1-G5239-00-00	RING	1	
24	JW1-G6854-00-00	RING	1	
25	JW1-G6142-00-00	RING,HOLE SNAP 1	3	
26	JW1-G6393-00-00	LEVER, NEUTRAL	1	
27	JW1-F4629-00-00	RING	1	
28	JW1-G6153-00-00	COLLAR, GUIDE	1	
29	JW1-G6128-00-00	SPACER, BEARING	2	
30	JW1-G6117-00-00	SHIM, RING GEAR	1	

CONTENTS

AIR SHROUD FAN	A6
ALTERNATE FOR SUN ROOF	D4
ALTERNATE FOR WINDSHIELD	D3
BODY	C5
BODY 2	C6
BODY FITTING	C7
BUMPER	C4
CAMSHAFT VALVE	A5
CARBURETOR	A8
CARRIER	C8
CRANKCASE	A10
CRANKSHAFT PISTON	A4
CYLINDER HEAD	A3
ELECTRICAL 1	C12
ELECTRICAL 2	D1-2
ENGINE 1	A2
ENGINE BRACKET	A11
EXHAUST	A9
FRAME	B1
FRONT SUSPENSION	B2
FUEL TANK	B5
GOVERNOR	B8
INTAKE	A7
PEDAL ASSEMBLY	B6-7
PRIMARY SHEAVE	B9
REAR ARM SUSPENSION	A12
SEAT	C9
SECONDARY SHEAVE	B10
SHIFTER CABLES	C2
STARTING MOTOR	C10-11
STEERING	B3-4
TRANSAXLE BRAKE	B11-12,C1
WHEEL	C3

CONTINUED ON NEXT FRAME ►

TRANSAXLE BRAKE



JW11100-E200

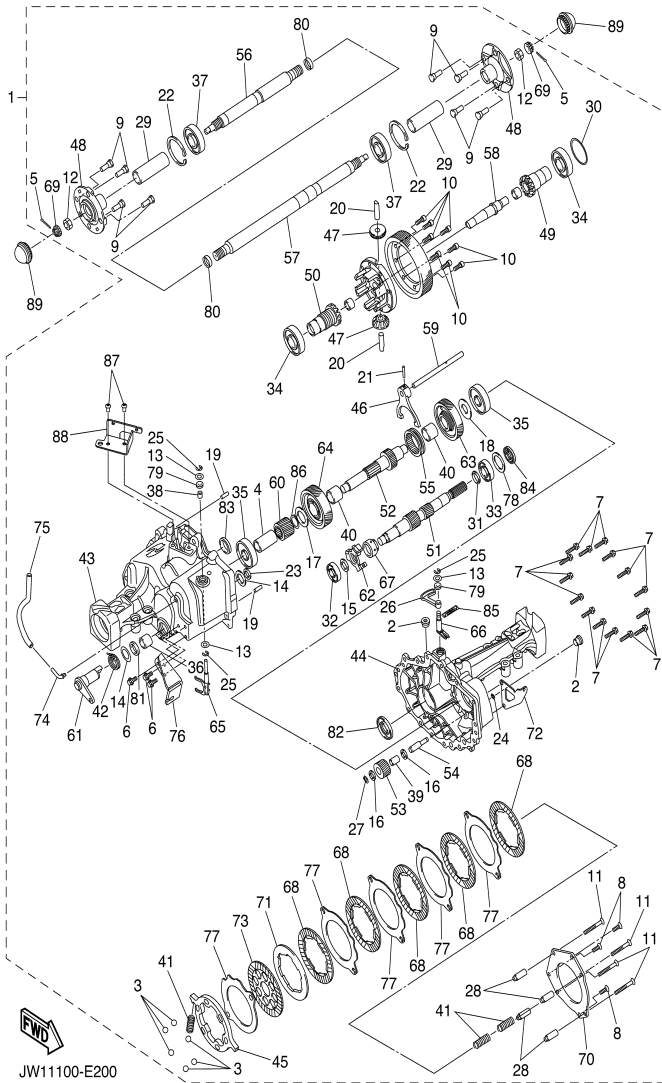
Ref. No.	Part Number	Description	Qty	Remarks
31	JW1-G4314-00-00	. SPACER	1	
32	JW1-G6387-00-00	. BEARING, PLAIN 1	1	
33	JW1-G6388-00-00	. BEARING, PLAIN 2	1	
34	JW1-G6164-00-00	. BEARING 1	2	
35	JW1-G6165-00-00	. BEARING 2	2	
36	JW1-G6166-00-00	. BEARING 3	1	
37	JW1-F2176-00-00	. BEARING	2	
38	JW1-G6102-00-00	. BEARING ASSY	1	
39	JW1-G5552-00-00	. BEARING, PLAIN	1	
40	JW1-G6167-00-00	. BEARING 4	2	
41	JW1-G4135-00-00	. SPRING	3	
42	JW1-G6375-00-00	. SPRING, RETURN 1	1	
43	JW1-G6312-00-00	. CASE, TRANSMISSION 2	1	
44	JW1-G6311-00-00	. CASE, TRANSMISSION 1	1	
45	JW1-F384K-00-00	. BALL, SEAT	1	
46	JW1-G6338-00-00	. FORK, SHIFT	1	
47	JW1-G6415-00-00	. PINION, DIFFERENTIAL	2	
48	JW1-G6542-00-00	. HUB	2	
49	JW1-G6326-00-00	. GEAR, WHEEL 1	1	
50	JW1-G6327-00-00	. GEAR, WHEEL 2	1	
51	JW1-G6335-00-00	. SHAFT 1	1	
52	JW1-G6348-00-00	. SHAFT 2	1	
53	JW1-G6356-00-00	. GEAR, IDLER	1	
54	JW1-G6349-00-00	. SHAFT 3	1	
55	JW1-G6328-00-00	. GEAR, WHEEL 3	1	
56	JW1-G6512-00-00	. SHAFT, REAR AXLE 2 (R.H)	1	
57	JW1-G6511-00-00	. SHAFT, REAR AXLE 1 (L.H)	1	
58	JW1-G6112-00-00	. SHAFT, RING GEAR	1	
59	JW1-G633A-00-00	. BAR, SHIFT FORK GUIDE	1	
60	JW1-G6131-00-00	. GEAR, RING 2	1	

CONTENTS

AIR SHROUD FAN	A6
ALTERNATE FOR SUN ROOF	D4
ALTERNATE FOR WINDSHIELD	D3
BODY	C5
BODY 2	C6
BODY FITTING	C7
BUMPER	C4
CAMSHAFT VALVE	A5
CARBURETOR	A8
CARRIER	C8
CRANKCASE	A10
CRANKSHAFT PISTON	A4
CYLINDER HEAD	A3
ELECTRICAL 1	C12
ELECTRICAL 2	D1-2
ENGINE 1	A2
ENGINE BRACKET	A11
EXHAUST	A9
FRAME	B1
FRONT SUSPENSION	B2
FUEL TANK	B5
GOVERNOR	B8
INTAKE	A7
PEDAL ASSEMBLY	B6-7
PRIMARY SHEAVE	B9
REAR ARM SUSPENSION	A12
SEAT	C9
SECONDARY SHEAVE	B10
SHIFTER CABLES	C2
STARTING MOTOR	C10-11
STEERING	B3-4
TRANSAXLE BRAKE	B11-12, C1
WHEEL	C3

CONTINUED ON NEXT FRAME ►

TRANSAXLE BRAKE



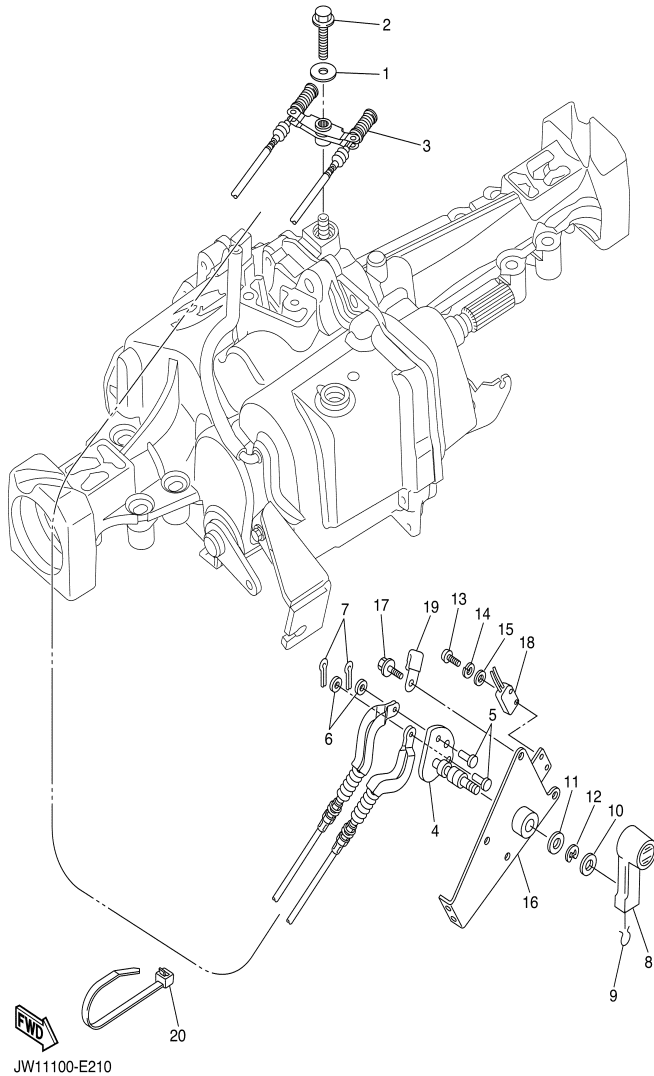
JW11100-E200

Ref. No.	Part Number	Description	Qty	Remarks
61	JW1-G633G-00-00	. SHAFT	1	
62	JW1-H1253-00-00	. GOVERNOR	1	
63	JW1-G6363-00-00	. GEAR, REVERSE	1	
64	JW1-G6111-00-00	. GEAR, RING	1	
65	JW1-G6380-00-00	. SHAFT ASSY 1	1	
66	JW1-G6386-00-00	. ARM, SHIFT	1	
67	JW1-G4139-00-00	. COLLAR	1	
68	JW1-G6336-00-00	. PLATE 1	5	
69	JW1-G4127-00-00	. NUT, 1	2	
70	JW1-G6114-00-00	. PLATE, COVER	1	
71	JW1-G4526-00-00	. PLATE	1	
72	JW1-G6554-00-00	. BRACKET 1	1	
73	JW1-G6345-00-00	. DISC, FRICTION	1	
74	JW1-G4391-00-00	. NIPPLE, HOSE	1	
75	JW1-G6894-00-00	. HOSE	1	
76	JW1-G6555-00-00	. BRACKET 2	1	
77	JW1-G633H-00-00	. PLATE 2	5	
78	JW1-G6344-00-00	. SHIM	1	
79	JW1-G6163-00-00	. SEAL,OIL 1	2	
80	JW1-G5874-00-00	. RING, SEAL	2	
81	JW1-G6137-00-00	. SEAL 2	1	
82	JW1-F16A2-00-00	. SEAL, 2	1	
83	JW1-F16A3-00-00	. SEAL, 3	1	
84	JW1-F16A4-00-00	. SEAL, 4	1	
85	JW1-G5161-00-00	. MARK, UPR. CASING 1	1	
86	JW1-G6854-00-00	. RING	1	
87	JW1-G4165-00-00	. SCREW, DETENT	2	
88	JW1-G1661-00-00	. BRACKET	1	
89	JN6-F5118-00-00	COVER, HUB DUST	2	

CONTENTS

AIR SHROUD FAN	A6
ALTERNATE FOR SUN ROOF	D4
ALTERNATE FOR WINDSHIELD	D3
BODY	C5
BODY 2	C6
BODY FITTING	C7
BUMPER	C4
CAMSHAFT VALVE	A5
CARBURETOR	A8
CARRIER	C8
CRANKCASE	A10
CRANKSHAFT PISTON	A4
CYLINDER HEAD	A3
ELECTRICAL 1	C12
ELECTRICAL 2	D1-2
ENGINE 1	A2
ENGINE BRACKET	A11
EXHAUST	A9
FRAME	B1
FRONT SUSPENSION	B2
FUEL TANK	B5
GOVERNOR	B8
INTAKE	A7
PEDAL ASSEMBLY	B6-7
PRIMARY SHEAVE	B9
REAR ARM SUSPENSION	A12
SEAT	C9
SECONDARY SHEAVE	B10
SHIFTER CABLES	C2
STARTING MOTOR	C10-11
STEERING	B3-4
TRANSAXLE BRAKE	B11-12,C1
WHEEL	C3

SHIFTER CABLES



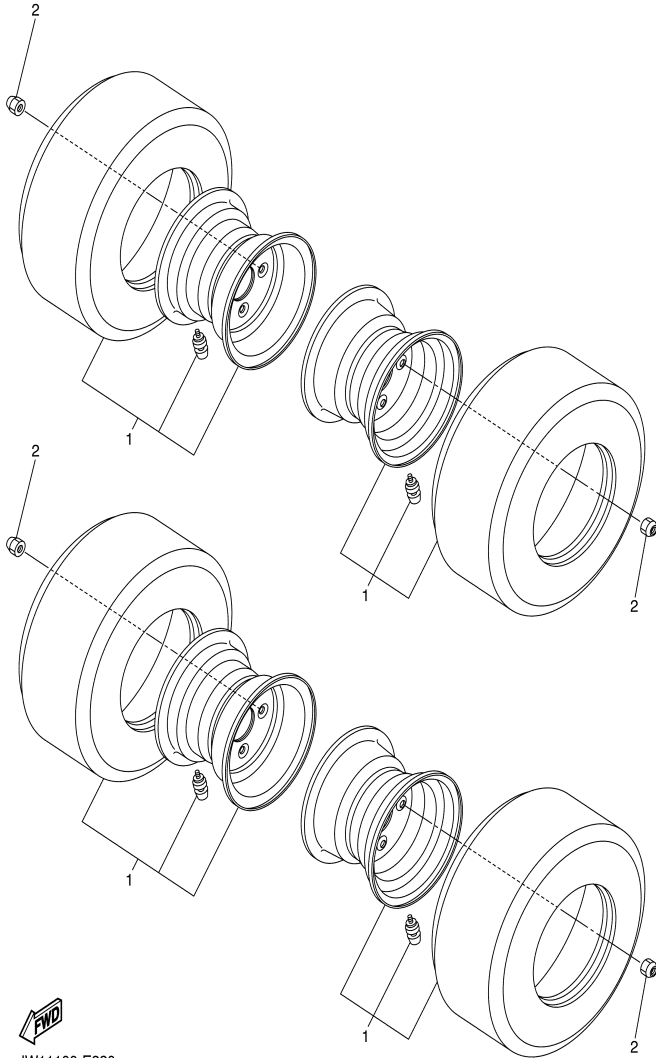
Ref. No.	Part Number	Description	Qty	Remarks
1	90201-05800-00	WASHER, PLATE	1	
2	90105-05006-00	BOLT, FLANGE	1	
3	JW1-G8330-00-00	CABLE END ASSY	1	
4	JF2-46382-00-00	LEVER, SHIFT 1	1	
5	91701-06014-00	PIN, CLEVIS	2	
6	9290P-06600-00	WASHER	2	
7	91490-20015-00	PIN, COTTER	2	
8	JN3-G6381-00-00	KNOB, SHIFT	1	
9	JN3-G6376-00-00	SPRING SET	1	
10	90201-208S8-00	WASHER, PLATE	1	
11	90201-198S7-00	WASHER, PLATE	1	
12	99009-19400-00	CIRCLIP	1	
13	98517-04016-00	SCREW, PAN HEAD	2	
14	92907-04100-00	WASHER, SPRING	2	
15	92907-04600-00	WASHER	2	
16	JN3-G6372-00-00	BRACKET, SHIFT WIRE	1	
17	90105-06876-00	BOLT, FLANGE	3	
18	JN3-82617-01-00	SWITCH	1	
19	90465-06038-00	CLAMP	1	
20	90464-76800-00	CLAMP	1	

CONTENTS

AIR SHROUD FAN	A6
ALTERNATE FOR SUN ROOF	D4
ALTERNATE FOR WINDSHIELD	D3
BODY	C5
BODY 2	C6
BODY FITTING	C7
BUMPER	C4
CAMSHAFT VALVE	A5
CARBURETOR	A8
CARRIER	C8
CRANKCASE	A10
CRANKSHAFT PISTON	A4
CYLINDER HEAD	A3
ELECTRICAL 1	C12
ELECTRICAL 2	D1-2
ENGINE 1	A2
ENGINE BRACKET	A11
EXHAUST	A9
FRAME	B1
FRONT SUSPENSION	B2
FUEL TANK	B5
GOVERNOR	B8
INTAKE	A7
PEDAL ASSEMBLY	B6-7
PRIMARY SHEAVE	B9
REAR ARM SUSPENSION	A12
SEAT	C9
SECONDARY SHEAVE	B10
SHIFTER CABLES	C2
STARTING MOTOR	C10-11
STEERING	B3-4
TRANSAXLE BRAKE	B11-12, C1
WHEEL	C3

WHEEL

Ref. No.	Part Number	Description	Qty	Remarks
1	JW1-F5100-00-00	WHEEL ASSY	4	
2	90179-12262-00	NUT	16	



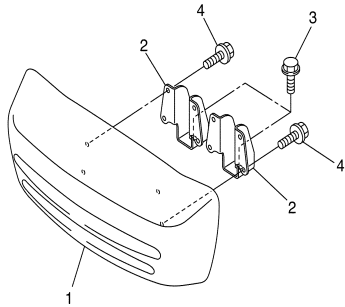
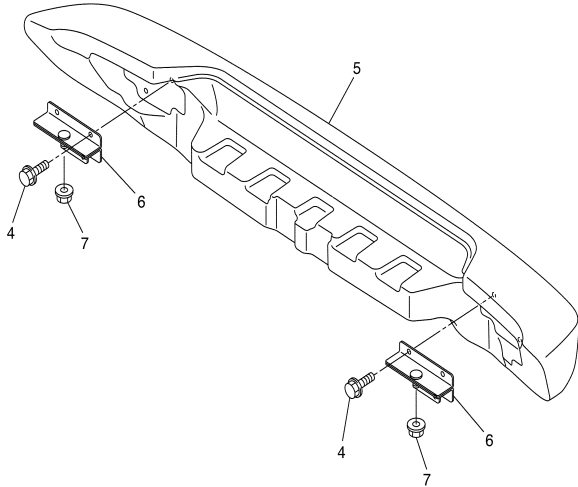
JW11100-E220

CONTENTS

AIR SHROUD FAN	A6
ALTERNATE FOR SUN ROOF	D4
ALTERNATE FOR WINDSHIELD	D3
BODY	C5
BODY 2	C6
BODY FITTING	C7
BUMPER	C4
CAMSHAFT VALVE	A5
CARBURETOR	A8
CARRIER	C8
CRANKCASE	A10
CRANKSHAFT PISTON	A4
CYLINDER HEAD	A3
ELECTRICAL 1	C12
ELECTRICAL 2	D1-2
ENGINE 1	A2
ENGINE BRACKET	A11
EXHAUST	A9
FRAME	B1
FRONT SUSPENSION	B2
FUEL TANK	B5
GOVERNOR	B8
INTAKE	A7
PEDAL ASSEMBLY	B6-7
PRIMARY SHEAVE	B9
REAR ARM SUSPENSION	A12
SEAT	C9
SECONDARY SHEAVE	B10
SHIFTER CABLES	C2
STARTING MOTOR	C10-11
STEERING	B3-4
TRANSAXLE BRAKE	B11-12,C1
WHEEL	C3

BUMPER

Ref. No.	Part Number	Description	Qty	Remarks
1	JW1-K7510-00-00	FRONT BUMPER COMP.	1	
2	JW1-K8164-00-00	STAY, FRONT BUMPER (L.H)	2	
3	90105-08878-00	BOLT, FLANGE	2	
4	9502P-06008-00	BOLT, FLANGE	8	
5	JW1-K7540-00-00	REAR BUMPER COMP.	1	
6	JW1-K8174-00-00	STAY, REAR BUMPER	2	
7	9560P-10200-00	NUT, FLANGE	2	



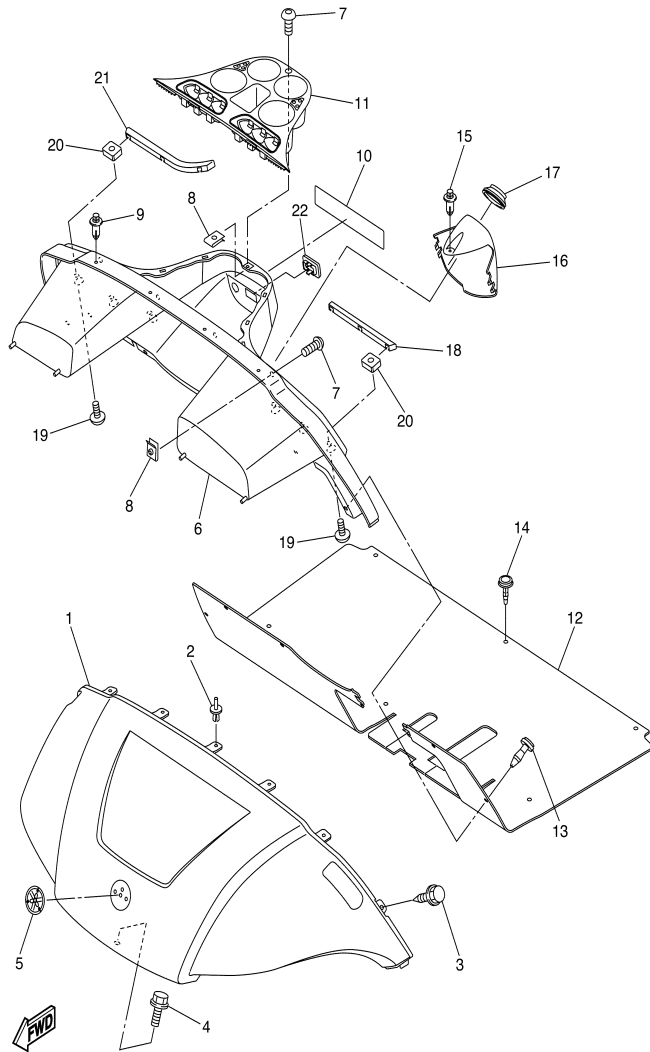
CONTENTS

AIR SHROUD FAN	A6
ALTERNATE FOR SUN ROOF	D4
ALTERNATE FOR WINDSHIELD	D3
BODY	C5
BODY 2	C6
BODY FITTING	C7
BUMPER	C4
CAMSHAFT VALVE	A5
CARBURETOR	A8
CARRIER	C8
CRANKCASE	A10
CRANKSHAFT PISTON	A4
CYLINDER HEAD	A3
ELECTRICAL 1	C12
ELECTRICAL 2	D1-2
ENGINE 1	A2
ENGINE BRACKET	A11
EXHAUST	A9
FRAME	B1
FRONT SUSPENSION	B2
FUEL TANK	B5
GOVERNOR	B8
INTAKE	A7
PEDAL ASSEMBLY	B6-7
PRIMARY SHEAVE	B9
REAR ARM SUSPENSION	A12
SEAT	C9
SECONDARY SHEAVE	B10
SHIFTER CABLES	C2
STARTING MOTOR	C10-11
STEERING	B3-4
TRANSAXLE BRAKE	B11-12,C1
WHEEL	C3



JW11100-E230

BODY



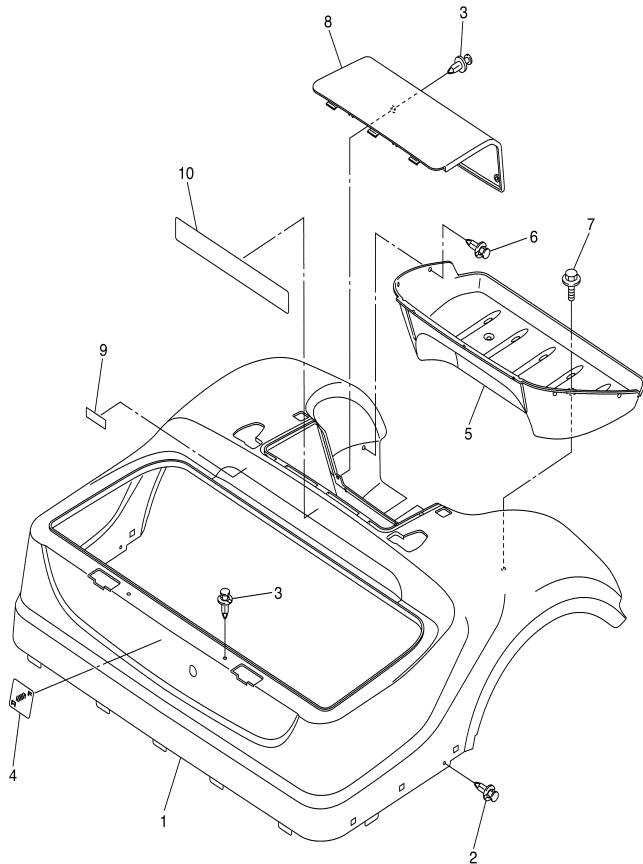
JW11100-E240

Ref. No.	Part Number	Description	Qty	Remarks
1	JW1-K8115-00-00	COWL, FRONT	1	UR FOR GLACIER
	JW1-K8115-10-00	COWL, FRONT	1	UR FOR EMERALD
	JW1-K8115-20-00	COWL, FRONT	1	UR FOR GARNET
	JW1-K8115-30-00	COWL, FRONT	1	UR FOR SANDSTONE
	JW1-K8115-40-00	COWL, FRONT	1	UR FOR ANTHRACITE
	JW1-K8115-50-00	COWL, FRONT	1	UR FOR ONYX MET.
	JW1-K8115-60-00	COWL, FRONT	1	UR FOR COBALT MET.
2	90267-63047-00	RIVET, BLIND	5	
3	JW1-F3396-00-00	SCREW, SPECIAL	2	
4	90105-06876-00	BOLT, FLANGE	1	
5	JW1-F4161-00-00	EMBLEM 1	1	
6	JW1-K8114-00-00	PANEL, FRONT	1	
7	90111-05801-00	BOLT,HEX. SOCKET BUTTON	5	
8	90183-05008-00	NUT, SPRING	5	
9	90269-07001-00	RIVET	4	
10	JW1-K7768-00-00	LABEL, WARNING (E)	1	
11	JW1-K835E-00-00	HOLDER, BEVERAGE	1	
12	JW1-K8233-10-00	MAT, MAIN FLOOR 3	1	
13	JW1-K7329-00-00	RIVET	5	
14	JW1-K7449-00-00	RIVET 1	6	
15	90269-06804-00	RIVET	1	
16	JW1-K8273-00-00	COVER, HOLE	1	
17	JW1-K8245-00-00	SEAL 1	1	
18	JW1-K8261-00-00	PLATE, BODY PROTECT 1	1	
19	90110-06102-00	BOLT, HEXAGON SOCKET HEAD	6	
20	90173-06001-00	NUT, SQUARE	6	
21	JW1-K8262-00-00	PLATE, BODY PROTECT 2	1	
22	JW1-F312G-00-00	PLUG	1	

CONTENTS

AIR SHROUD FAN	A6
ALTERNATE FOR SUN ROOF	D4
ALTERNATE FOR WINDSHIELD	D3
BODY	C5
BODY 2	C6
BODY FITTING	C7
BUMPER	C4
CAMSHAFT VALVE	A5
CARBURETOR	A8
CARRIER	C8
CRANKCASE	A10
CRANKSHAFT PISTON	A4
CYLINDER HEAD	A3
ELECTRICAL 1	C12
ELECTRICAL 2	D1-2
ENGINE 1	A2
ENGINE BRACKET	A11
EXHAUST	A9
FRAME	B1
FRONT SUSPENSION	B2
FUEL TANK	B5
GOVERNOR	B8
INTAKE	A7
PEDAL ASSEMBLY	B6-7
PRIMARY SHEAVE	B9
REAR ARM SUSPENSION	A12
SEAT	C9
SECONDARY SHEAVE	B10
SHIFTER CABLES	C2
STARTING MOTOR	C10-11
STEERING	B3-4
TRANSAXLE BRAKE	B11-12,C1
WHEEL	C3

BODY 2



Ref. No.	Part Number	Description	Qty	Remarks
1	JW1-K8142-00-00	PANEL, REAR BODY	1	UR FOR GLACIER
	JW1-K8142-10-00	PANEL, REAR BODY	1	UR FOR EMERALD
	JW1-K8142-20-00	PANEL, REAR BODY	1	UR FOR GARNET
	JW1-K8142-30-00	PANEL, REAR BODY	1	UR FOR SANDSTONE
	JW1-K8142-40-00	PANEL, REAR BODY	1	UR FOR ANTHRACITE
	JW1-K8142-50-00	PANEL, REAR BODY	1	UR FOR ONYX MET.
	JW1-K8142-60-00	PANEL, REAR BODY	1	UR FOR COBALT MET.
2	90269-06804-00	RIVET	2	
3	90269-08813-00	RIVET	4	
4	JN3-K7741-00-00	INDICATOR 1	1	
5	JW1-K8237-00-00	COVER, REAR FLOOR	1	
6	90269-08813-00	RIVET	7	
7	90119-06868-00	BOLT, WITH WASHER	2	
8	JW1-K8151-00-00	PANEL, INSPECTION LID 1 ...	1	
9	JN6-H2377-00-00	LABEL	1	
10	JW1-K8297-00-00	PLATE, CAUTION 1	1	

CONTENTS

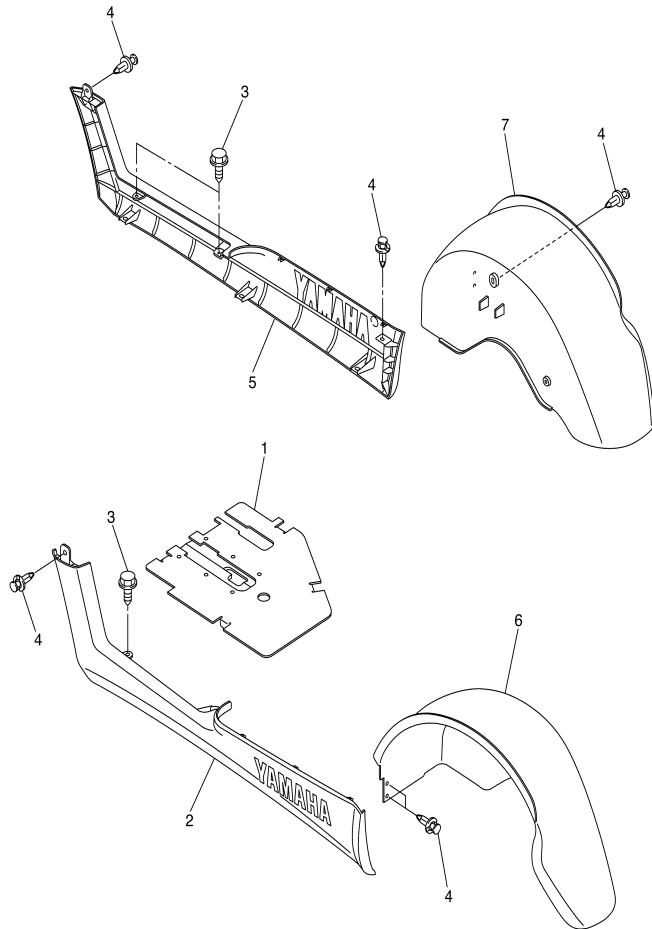
AIR SHROUD FAN	A6
ALTERNATE FOR SUN ROOF	D4
ALTERNATE FOR WINDSHIELD	D3
BODY	C5
BODY 2	C6
BODY FITTING	C7
BUMPER	C4
CAMSHAFT VALVE	A5
CARBURETOR	A8
CARRIER	C8
CRANKCASE	A10
CRANKSHAFT PISTON	A4
CYLINDER HEAD	A3
ELECTRICAL 1	C12
ELECTRICAL 2	D1-2
ENGINE 1	A2
ENGINE BRACKET	A11
EXHAUST	A9
FRAME	B1
FRONT SUSPENSION	B2
FUEL TANK	B5
GOVERNOR	B8
INTAKE	A7
PEDAL ASSEMBLY	B6-7
PRIMARY SHEAVE	B9
REAR ARM SUSPENSION	A12
SEAT	C9
SECONDARY SHEAVE	B10
SHIFTER CABLES	C2
STARTING MOTOR	C10-11
STEERING	B3-4
TRANSAXLE BRAKE	B11-12, C1
WHEEL	C3



JW11100-E250

BODY FITTING

Ref. No.	Part Number	Description	Qty	Remarks
1	JW1-K8270-00-00	LID ASSY	1	
2	JW1-K818A-00-00	PROTECTOR, SIDE PLATE	1	
3	JW1-F3396-00-00	SCREW, SPECIAL	4	
4	90269-06804-00	RIVET	12	
5	JW1-K818B-00-00	PROTECTOR, SIDE PLATE 2	1	
6	JW1-K8191-00-00	PANEL, REAR FENDER 1	1	
7	JW1-K8192-00-00	PANEL, REAR FENDER 2	1	



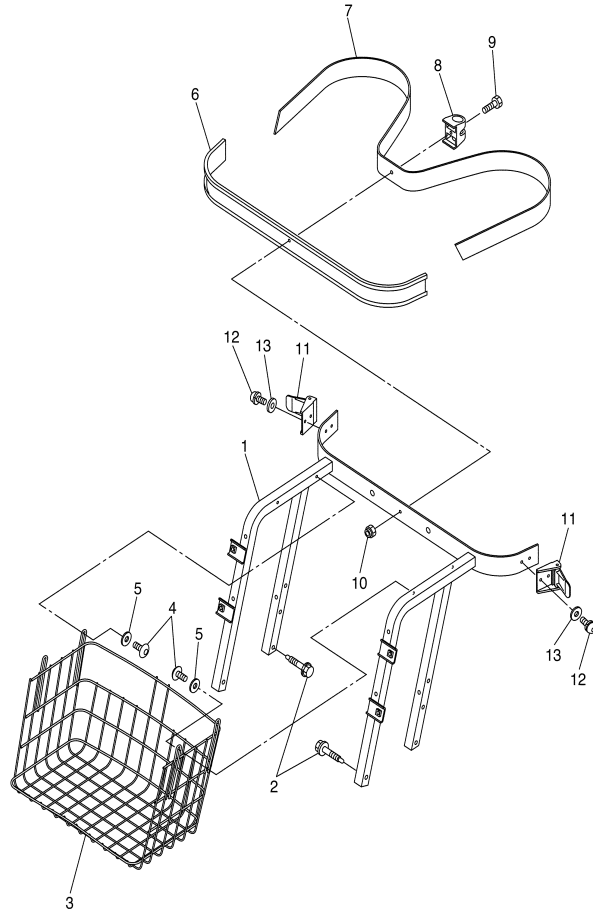
CONTENTS

AIR SHROUD FAN	A6
ALTERNATE FOR SUN ROOF	D4
ALTERNATE FOR WINDSHIELD	D3
BODY	C5
BODY 2	C6
BODY FITTING	C7
BUMPER	C4
CAMSHAFT VALVE	A5
CARBURETOR	A8
CARRIER	C8
CRANKCASE	A10
CRANKSHAFT PISTON	A4
CYLINDER HEAD	A3
ELECTRICAL 1	C12
ELECTRICAL 2	D1-2
ENGINE 1	A2
ENGINE BRACKET	A11
EXHAUST	A9
FRAME	B1
FRONT SUSPENSION	B2
FUEL TANK	B5
GOVERNOR	B8
INTAKE	A7
PEDAL ASSEMBLY	B6-7
PRIMARY SHEAVE	B9
REAR ARM SUSPENSION	A12
SEAT	C9
SECONDARY SHEAVE	B10
SHIFTER CABLES	C2
STARTING MOTOR	C10-11
STEERING	B3-4
TRANSAXLE BRAKE	B11-12, C1
WHEEL	C3



JW11100-E260

CARRIER



Ref. No.	Part Number	Description	Qty	Remarks
1	JW1-K8423-00-00	SUPPORT, SEAT BACK	1	
2	90109-08169-00	BOLT	4	
3	JW1-K8340-00-00	LUGGAGE RACK ASSY., REAR	1	
4	90110-06102-00	BOLT, HEXAGON SOCKET HEAD	4	
5	90201-068G7-00	WASHER, PLATE	4	
6	JF2-K8356-00-00	PAD, BAG SUPPORT	1	
7	JN6-K8355-00-00	BAND	1	
8	JW1-K834G-00-00	HOLDER, RAKE SAND	1	
9	9708R-06020-00	BOLT	1	
10	90185-06836-00	NUT, SELF-LOCKING	1	
11	JN6-K8380-00-00	LOCK ASSY	2	
12	90159-06845-00	SCREW, WITH WASHER	4	
13	9299R-06200-00	WASHER	4	

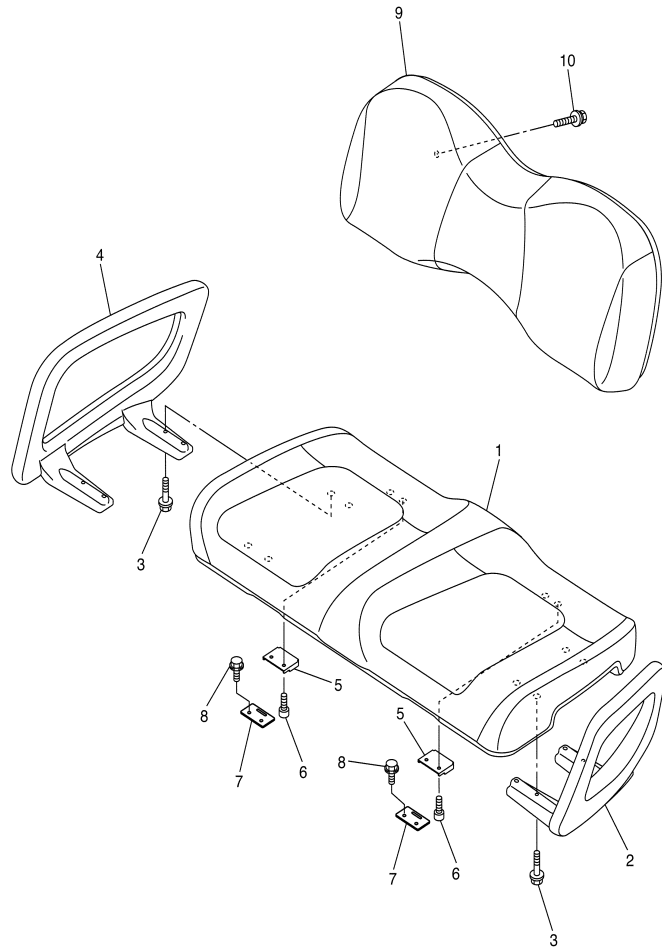
CONTENTS

AIR SHROUD FAN	A6
ALTERNATE FOR SUN ROOF	D4
ALTERNATE FOR WINDSHIELD	D3
BODY	C5
BODY 2	C6
BODY FITTING	C7
BUMPER	C4
CAMSHAFT VALVE	A5
CARBURETOR	A8
CARRIER	C8
CRANKCASE	A10
CRANKSHAFT PISTON	A4
CYLINDER HEAD	A3
ELECTRICAL 1	C12
ELECTRICAL 2	D1-2
ENGINE 1	A2
ENGINE BRACKET	A11
EXHAUST	A9
FRAME	B1
FRONT SUSPENSION	B2
FUEL TANK	B5
GOVERNOR	B8
INTAKE	A7
PEDAL ASSEMBLY	B6-7
PRIMARY SHEAVE	B9
REAR ARM SUSPENSION	A12
SEAT	C9
SECONDARY SHEAVE	B10
SHIFTER CABLES	C2
STARTING MOTOR	C10-11
STEERING	B3-4
TRANSAXLE BRAKE	B11-12, C1
WHEEL	C3



JW11100-E270

SEAT



Ref. No.	Part Number	Description	Qty	Remarks
1	JW1-K8401-00-00	SEAT SUB-ASSY,CUSHION ...	1	
2	JW1-K8361-00-00	ARM REST 1	1	
3	9582P-06040-00	BOLT, FLANGE	8	
4	JW1-K8362-00-00	ARM REST 2	1	
5	JW1-K8426-00-00	HINGE, SEAT 1	2	
6	90110-06041-00	BOLT, HEXAGON SOCKET HEAD	4	
7	JW1-K8427-00-00	HINGE, SEAT 2	2	
8	90105-06861-00	BOLT, FLANGE	4	
9	JW1-K8402-00-00	SEAT SUB ASSY, BACK	1	
10	90119-06808-00	BOLT, WITH WASHER	4	

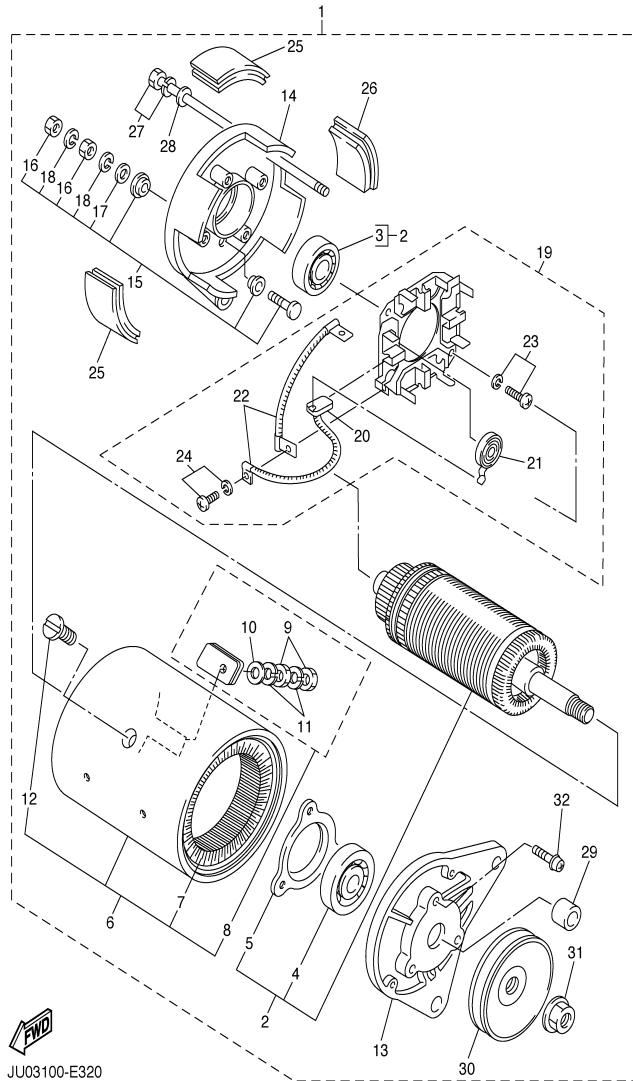
CONTENTS

AIR SHROUD FAN	A6
ALTERNATE FOR SUN ROOF	D4
ALTERNATE FOR WINDSHIELD	D3
BODY	C5
BODY 2	C6
BODY FITTING	C7
BUMPER	C4
CAMSHAFT VALVE	A5
CARBURETOR	A8
CARRIER	C8
CRANKCASE	A10
CRANKSHAFT PISTON	A4
CYLINDER HEAD	A3
ELECTRICAL 1	C12
ELECTRICAL 2	D1-2
ENGINE 1	A2
ENGINE BRACKET	A11
EXHAUST	A9
FRAME	B1
FRONT SUSPENSION	B2
FUEL TANK	B5
GOVERNOR	B8
INTAKE	A7
PEDAL ASSEMBLY	B6-7
PRIMARY SHEAVE	B9
REAR ARM SUSPENSION	A12
SEAT	C9
SECONDARY SHEAVE	B10
SHIFTER CABLES	C2
STARTING MOTOR	C10-11
STEERING	B3-4
TRANSAXLE BRAKE	B11-12,C1
WHEEL	C3



JW11100-E280

STARTING MOTOR



JU03100-E320

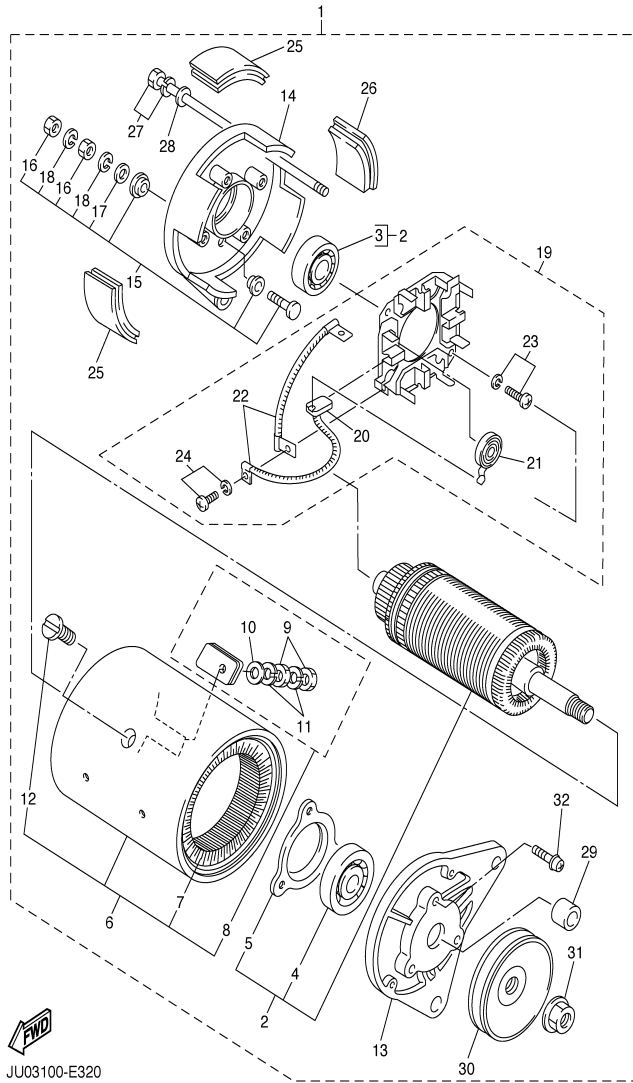
Ref. No.	Part Number	Description	Qty	Remarks
1	JN6-H1100-03-00	STARTER GENERATOR ASSY	1	
2	JN5-H1150-00-00	. ARMATURE ASSY	1	
3	93306-20226-00	.. BEARING	1	KOYO
4	93306-30317-00	.. BEARING	1	
5	J10-81159-10-00	.. HOLDER, BEARING	1	
6	JN6-H1110-10-00	. STATOR ASSY	1	
7	JN6-H1160-10-00	.. FIELD COIL ASSY	1	
8	J10-81148-10-00	.. SCREW SET 4	2	
9	95317-06600-00	... NUT	2	
10	9290N-06600-00	... WASHER	1	
11	92907-06100-00	... WASHER, SPRING	2	
12	J10-81146-10-00	.. SCREW 2	4	
13	JN6-H1165-00-00	. BRACKET, STARTER GENERATOR 1	1	
14	J10-81166-10-00	. BRACKET, STARTER GENERATOR 2	1	
15	J10-81147-10-00	. SCREW SET 3	2	
16	95317-06600-00	.. NUT	2	
17	9290N-06600-00	.. WASHER	1	
18	92907-06100-00	.. WASHER, SPRING	2	
19	JN6-H1119-00-00	. BRUSH HOLDER ASSY	1	
20	JF2-H1111-00-00	.. BRUSH	4	
21	JN6-H1113-00-00	.. SPRING, BRUSH	4	
22	J10-81115-10-00	.. WIRE, LEAD	2	
23	9850N-05016-00	.. SCREW, PAN HEAD	2	
24	9850N-04010-00	.. SCREW, PAN HEAD	4	
25	J10-81129-10-00	. COVER, BRUSH 2	3	
26	J10-81129-10-00	. COVER, BRUSH 2	1	
27	J10-81145-10-00	. SCREW 1	2	
28	9290N-06600-00	. WASHER	2	
29	JN3-H1661-00-00	. SPACER	1	

CONTENTS

AIR SHROUD FAN	A6
ALTERNATE FOR SUN ROOF	D4
ALTERNATE FOR WINDSHIELD	D3
BODY	C5
BODY 2	C6
BODY FITTING	C7
BUMPER	C4
CAMSHAFT VALVE	A5
CARBURETOR	A8
CARRIER	C8
CRANKCASE	A10
CRANKSHAFT PISTON	A4
CYLINDER HEAD	A3
ELECTRICAL 1	C12
ELECTRICAL 2	D1-2
ENGINE 1	A2
ENGINE BRACKET	A11
EXHAUST	A9
FRAME	B1
FRONT SUSPENSION	B2
FUEL TANK	B5
GOVERNOR	B8
INTAKE	A7
PEDAL ASSEMBLY	B6-7
PRIMARY SHEAVE	B9
REAR ARM SUSPENSION	A12
SEAT	C9
SECONDARY SHEAVE	B10
SHIFTER CABLES	C2
STARTING MOTOR	C10-11
STEERING	B3-4
TRANSAXLE BRAKE	B11-12, C1
WHEEL	C3

CONTINUED ON NEXT FRAME ➤

STARTING MOTOR



 JU03100-E320

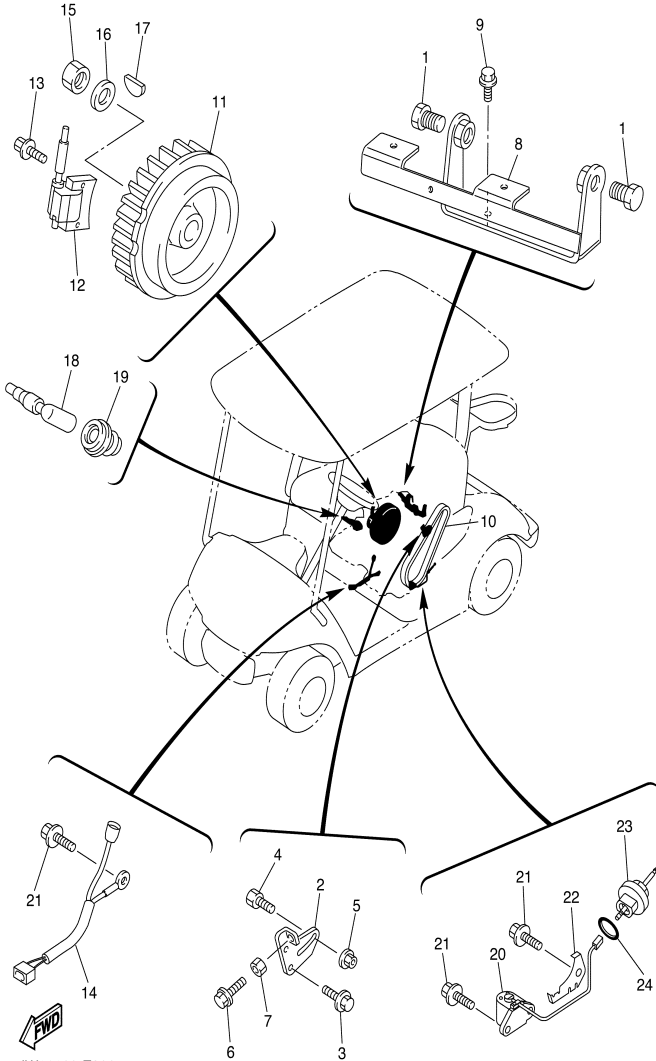
Ref. No.	Part Number	Description	Qty	Remarks
30	JN6-H1161-00-00	. PULLEY	1	
31	90179-16661-00	. NUT	1	
32	9850N-05018-00	. SCREW, PAN HEAD	3	

CONTENTS

AIR SHROUD FAN	A6
ALTERNATE FOR SUN ROOF	D4
ALTERNATE FOR WINDSHIELD	D3
BODY	C5
BODY 2	C6
BODY FITTING	C7
BUMPER	C4
CAMSHAFT VALVE	A5
CARBURETOR	A8
CARRIER	C8
CRANKCASE	A10
CRANKSHAFT PISTON	A4
CYLINDER HEAD	A3
ELECTRICAL 1	C12
ELECTRICAL 2	D1-2
ENGINE 1	A2
ENGINE BRACKET	A11
EXHAUST	A9
FRAME	B1
FRONT SUSPENSION	B2
FUEL TANK	B5
GOVERNOR	B8
INTAKE	A7
PEDAL ASSEMBLY	B6-7
PRIMARY SHEAVE	B9
REAR ARM SUSPENSION	A12
SEAT	C9
SECONDARY SHEAVE	B10
SHIFTER CABLES	C2
STARTING MOTOR	C10-11
STEERING	B3-4
TRANSAXLE BRAKE	B11-12,C1
WHEEL	C3

C11

ELECTRICAL 1



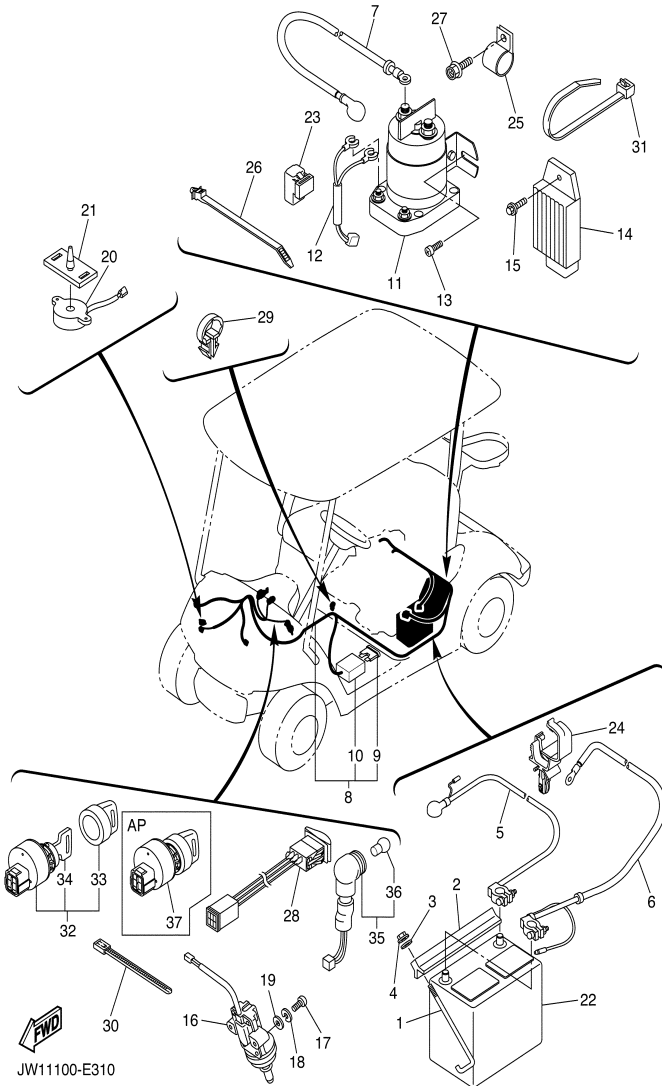
JW11100-E300

Ref. No.	Part Number	Description	Qty	Remarks
1	95817-12030-00	BOLT, FLANGE	2	
2	JW1-H1170-10-00	TENSIONER ASSY	1	
3	9582P-08020-00	BOLT, FLANGE	2	
4	90109-08875-00	BOLT	1	
5	95707-08500-00	NUT, FLANGE	1	
6	90101-06555-00	BOLT	1	
7	95317-06600-00	NUT	1	
8	JN6-H1171-10-00	BRACKET, STARTER GENERATOR	1	
9	9582P-08020-00	BOLT, FLANGE	2	
10	J55-H1173-00-00	BELT	1	
11	JR7-85650-00-00	ROTOR ASSY	1	
12	JN6-85640-01-00	T.C.I. UNIT ASSY	1	
13	95817-06025-00	BOLT, FLANGE	2	
14	JN6-82318-00-00	WIRE, SUB-LEAD	1	
15	95307-18600-00	NUT	1	
16	90201-18620-00	WASHER, PLATE	1	
17	90280-04052-00	KEY, WOODRUFF	1	
18	JN6-82370-00-00	PLUG CAP ASSY	1	
19	JE8-82372-00-00	SEAL, PLUG CAP	1	
20	JT0-85720-00-00	OIL LEVEL GAUGE ASSY	1	
21	95817-06012-00	BOLT, FLANGE	4	
22	JT0-85724-00-00	CLAMP	1	
23	JT0-15362-00-00	PLUG, OIL LEVEL	1	
24	93210-15566-00	O-RING	1	

CONTENTS

AIR SHROUD FAN	A6
ALTERNATE FOR SUN ROOF	D4
ALTERNATE FOR WINDSHIELD	D3
BODY	C5
BODY 2	C6
BODY FITTING	C7
BUMPER	C4
CAMSHAFT VALVE	A5
CARBURETOR	A8
CARRIER	C8
CRANKCASE	A10
CRANKSHAFT PISTON	A4
CYLINDER HEAD	A3
ELECTRICAL 1	C12
ELECTRICAL 2	D1-2
ENGINE 1	A2
ENGINE BRACKET	A11
EXHAUST	A9
FRAME	B1
FRONT SUSPENSION	B2
FUEL TANK	B5
GOVERNOR	B8
INTAKE	A7
PEDAL ASSEMBLY	B6-7
PRIMARY SHEAVE	B9
REAR ARM SUSPENSION	A12
SEAT	C9
SECONDARY SHEAVE	B10
SHIFTER CABLES	C2
STARTING MOTOR	C10-11
STEERING	B3-4
TRANSAXLE BRAKE	B11-12, C1
WHEEL	C3

ELECTRICAL 2



JW11100-E310

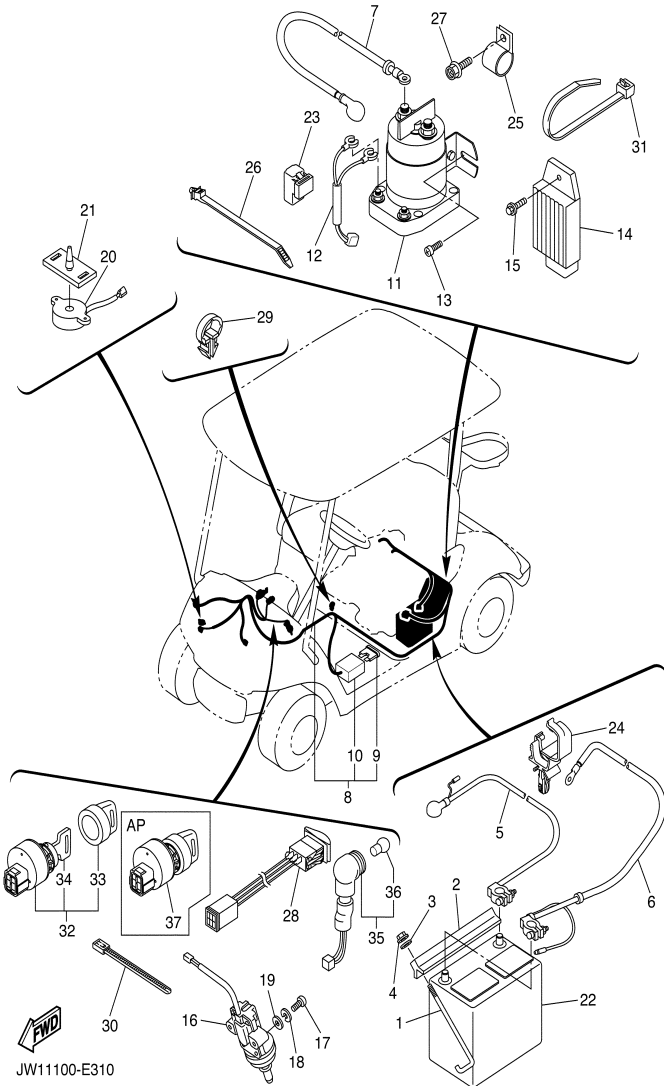
Ref. No.	Part Number	Description	Qty	Remarks
1	JW1-H2133-00-00	SCREW, FITTING	2	
2	J55-H2136-00-00	PLATE, BATTERY FITTING	1	
3	92907-06200-00	WASHER	2	
4	95707-06500-00	NUT, FLANGE	2	
5	JW1-H2115-00-00	WIRE, PLUS LEAD	1	
6	JW1-H2116-00-00	WIRE, MINUS LEAD	1	
7	JW1-H2117-00-00	WIRE, LEAD	1	
8	JW1-H2590-00-00	WIRE HARNESS ASSY	1	
9	42X-82151-00-00	FUSE (10A-BL)	1	
10	JR1-H2150-00-00	FUSE HOLDER ASSY	1	
11	JR3-H1950-00-00	RELAY ASSY	1	
12	JN6-H2105-00-00	WIRE HARNESS	1	
13	90163-06005-00	SCREW, TAPPING	2	
14	JF2-81910-01-00	VOLTAGE REGULATOR ASSY	1	
15	90105-06876-00	BOLT, FLANGE	1	
16	JF7-82817-20-00	SWITCH	1	
17	98507-05025-00	SCREW, PAN HEAD	2	
18	92907-05100-00	WASHER, SPRING	2	
19	92907-05600-00	WASHER, PLATE	2	
20	JR1-H3383-01-00	BUZZER	1	
21	JN6-H3386-01-00	STAY, BUZZER	1	
22	JG5-H2110-01-00	BATTERY (GRP 24, 12V, 400CCA)	1	OBTAIN LOCALLY
23	4U8-81950-02-00	RELAY ASSY	1	
24	90464-20237-00	CLAMP	5	
25	90461-14108-00	CLAMP	1	
26	90464-38800-00	CLAMP	3	
27	90105-08867-00	BOLT, FLANGE	1	
28	JW1-H2917-00-00	SWITCH	1	
29	90464-19815-00	CLAMP	1	

CONTINUED ON NEXT FRAME ➔

CONTENTS

AIR SHROUD FAN	A6
ALTERNATE FOR SUN ROOF	D4
ALTERNATE FOR WINDSHIELD	D3
BODY	C5
BODY 2	C6
BODY FITTING	C7
BUMPER	C4
CAMSHAFT VALVE	A5
CARBURETOR	A8
CARRIER	C8
CRANKCASE	A10
CRANKSHAFT PISTON	A4
CYLINDER HEAD	A3
ELECTRICAL 1	C12
ELECTRICAL 2	D1-2
ENGINE 1	A2
ENGINE BRACKET	A11
EXHAUST	A9
FRAME	B1
FRONT SUSPENSION	B2
FUEL TANK	B5
GOVERNOR	B8
INTAKE	A7
PEDAL ASSEMBLY	B6-7
PRIMARY SHEAVE	B9
REAR ARM SUSPENSION	A12
SEAT	C9
SECONDARY SHEAVE	B10
SHIFTER CABLES	C2
STARTING MOTOR	C10-11
STEERING	B3-4
TRANSAXLE BRAKE	B11-12, C1
WHEEL	C3

ELECTRICAL 2



Ref. No.	Part Number	Description	Qty	Remarks
30	90464-40825-00	CLAMP	1	
31	90464-76800-00	CLAMP	1	
32	JU2-H2510-10-00	MAIN SWITCH ASSY	1	COMMON KEY SWITCH
33	5UG-H2579-00-00	. CAP, KEY	1	
34	J44-82511-00-YY	. KEY, MAIN SWITCH	1	
35	JN6-83530-00-00	PILOT LIGHT ASSY	1	
36	123-83516-21-XX	. BULB (12V-3.4W)	1	
37	JU2-H2510-20-00	MAIN SWITCH ASSY	1	MULTI-KEY SWITCH

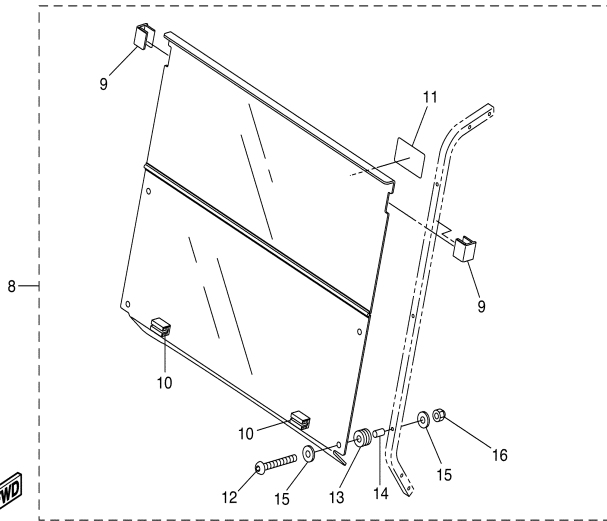
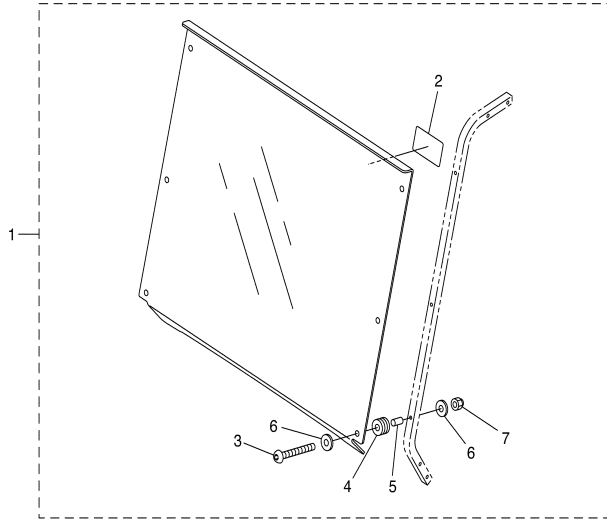
CONTENTS

AIR SHROUD FAN	A6
ALTERNATE FOR SUN ROOF	D4
ALTERNATE FOR WINDSHIELD	D3
BODY	C5
BODY 2	C6
BODY FITTING	C7
BUMPER	C4
CAMSHAFT VALVE	A5
CARBURETOR	A8
CARRIER	C8
CRANKCASE	A10
CRANKSHAFT PISTON	A4
CYLINDER HEAD	A3
ELECTRICAL 1	C12
ELECTRICAL 2	D1-2
ENGINE 1	A2
ENGINE BRACKET	A11
EXHAUST	A9
FRAME	B1
FRONT SUSPENSION	B2
FUEL TANK	B5
GOVERNOR	B8
INTAKE	A7
PEDAL ASSEMBLY	B6-7
PRIMARY SHEAVE	B9
REAR ARM SUSPENSION	A12
SEAT	C9
SECONDARY SHEAVE	B10
SHIFTER CABLES	C2
STARTING MOTOR	C10-11
STEERING	B3-4
TRANSAXLE BRAKE	B11-12,C1
WHEEL	C3

ALTERNATE FOR WINDSHIELD

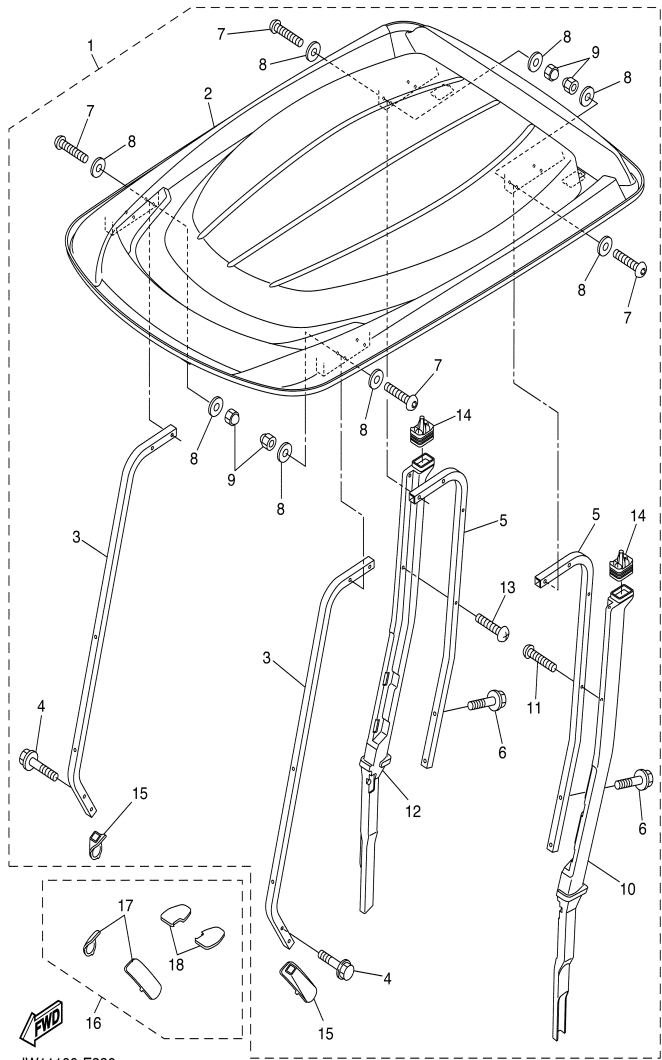
Ref. No.	Part Number	Description	Qty	Remarks
1	JW1-K7200-00-00	WINDSHIELD ASSY, SOLID (CLEAR)	1	UR AP
	JW1-K7200-10-00	WINDSHIELD ASSY, SOLID(SMOKE)	1	UR AP
2	JU0-K7458-00-00	. LABEL, WARNING	1	
3	JW1-K7212-00-00	. BOLT, WIND SHIELD	6	
4	JW1-K7237-00-00	. GROMMET	6	
5	JW1-K7115-00-00	. COLLAR	6	
6	90201-068G7-00	. WASHER, PLATE	12	
7	JW1-K7217-00-00	. NUT, WIND SHIELD	6	
8	JW1-K7200-20-00	WINDSHIELD ASSY, HINGED(CLEAR)	1	UR AP
	JW1-K7200-30-00	WINDSHIELD ASSY, HINGED(SMOKE)	1	UR AP
9	JW1-K7173-00-00	. LEVER, LATCH 1	2	
10	JW1-K7222-00-00	. BRACKET, WINDSHIELD(R.H)	2	
11	JU0-K7458-00-00	. LABEL, WARNING	1	
12	JW1-K7212-00-00	. BOLT, WIND SHIELD	4	
13	JW1-K7237-00-00	. GROMMET	4	
14	JW1-K7115-00-00	. COLLAR	4	
15	90201-068G7-00	. WASHER, PLATE	8	
16	JW1-K7217-00-00	. NUT, WIND SHIELD	4	

CONTENTS	
AIR SHROUD FAN	A6
ALTERNATE FOR SUN ROOF	D4
ALTERNATE FOR WINDSHIELD	D3
BODY	C5
BODY 2	C6
BODY FITTING	C7
BUMPER	C4
CAMSHAFT VALVE	A5
CARBURETOR	A8
CARRIER	C8
CRANKCASE	A10
CRANKSHAFT PISTON	A4
CYLINDER HEAD	A3
ELECTRICAL 1	C12
ELECTRICAL 2	D1-2
ENGINE 1	A2
ENGINE BRACKET	A11
EXHAUST	A9
FRAME	B1
FRONT SUSPENSION	B2
FUEL TANK	B5
GOVERNOR	B8
INTAKE	A7
PEDAL ASSEMBLY	B6-7
PRIMARY SHEAVE	B9
REAR ARM SUSPENSION	A12
SEAT	C9
SECONDARY SHEAVE	B10
SHIFTER CABLES	C2
STARTING MOTOR	C10-11
STEERING	B3-4
TRANSAXLE BRAKE	B11-12,C1
WHEEL	C3



JW11100-E320

ALTERNATE FOR SUN ROOF



JW11100-E330

Ref. No.	Part Number	Description	Qty	Remarks
1	JW1-K8310-00-00	SUN ROOF ASSY	1	AP
2	JW1-K8314-00-00	COVER, SUN ROOF	1	
3	JW1-K8312-00-00	SUPPORT, SUN ROOF 1	2	
4	90105-08892-00	BOLT, FLANGE	4	
5	JW1-K8313-00-00	SUPPORT, SUN ROOF 2	2	
6	90105-08892-00	BOLT, FLANGE	4	
7	JU0-K8388-00-00	BOLT, ROOF 1	8	
8	90201-088T2-00	WASHER, PLATE	16	
9	JU0-K8398-00-00	NUT, ROOF 1	8	
10	JW1-F413G-00-00	TUBE, DRAIN	1	
11	90157-06814-00	SCREW, PAN HEAD	2	
12	JW1-F413J-00-00	TUBE, DRAIN 2	1	
13	90157-06814-00	SCREW, PAN HEAD	2	
14	JW1-F414G-00-00	SEAL	2	
15	JW1-K832F-00-00	GROMMET, ROOF SUPPORT 1	2	
16	JW1-F8108-00-00	COVER ASSY	1	AP
17	JW1-K832H-00-00	GROMMET, ROOF SUPPORT 3	2	
18	JW1-K833H-00-00	GROMMET, ROOF SUPPORT 4	2	

CONTENTS

AIR SHROUD FAN	A6
ALTERNATE FOR SUN ROOF	D4
ALTERNATE FOR WINDSHIELD	D3
BODY	C5
BODY 2	C6
BODY FITTING	C7
BUMPER	C4
CAMSHAFT VALVE	A5
CARBURETOR	A8
CARRIER	C8
CRANKCASE	A10
CRANKSHAFT PISTON	A4
CYLINDER HEAD	A3
ELECTRICAL 1	C12
ELECTRICAL 2	D1-2
ENGINE 1	A2
ENGINE BRACKET	A11
EXHAUST	A9
FRAME	B1
FRONT SUSPENSION	B2
FUEL TANK	B5
GOVERNOR	B8
INTAKE	A7
PEDAL ASSEMBLY	B6-7
PRIMARY SHEAVE	B9
REAR ARM SUSPENSION	A12
SEAT	C9
SECONDARY SHEAVE	B10
SHIFTER CABLES	C2
STARTING MOTOR	C10-11
STEERING	B3-4
TRANSAXLE BRAKE	B11-12, C1
WHEEL	C3