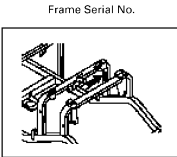


PARTS CATALOG
GOLF CAR
2013 DRIVE YDREX3
(JW94)

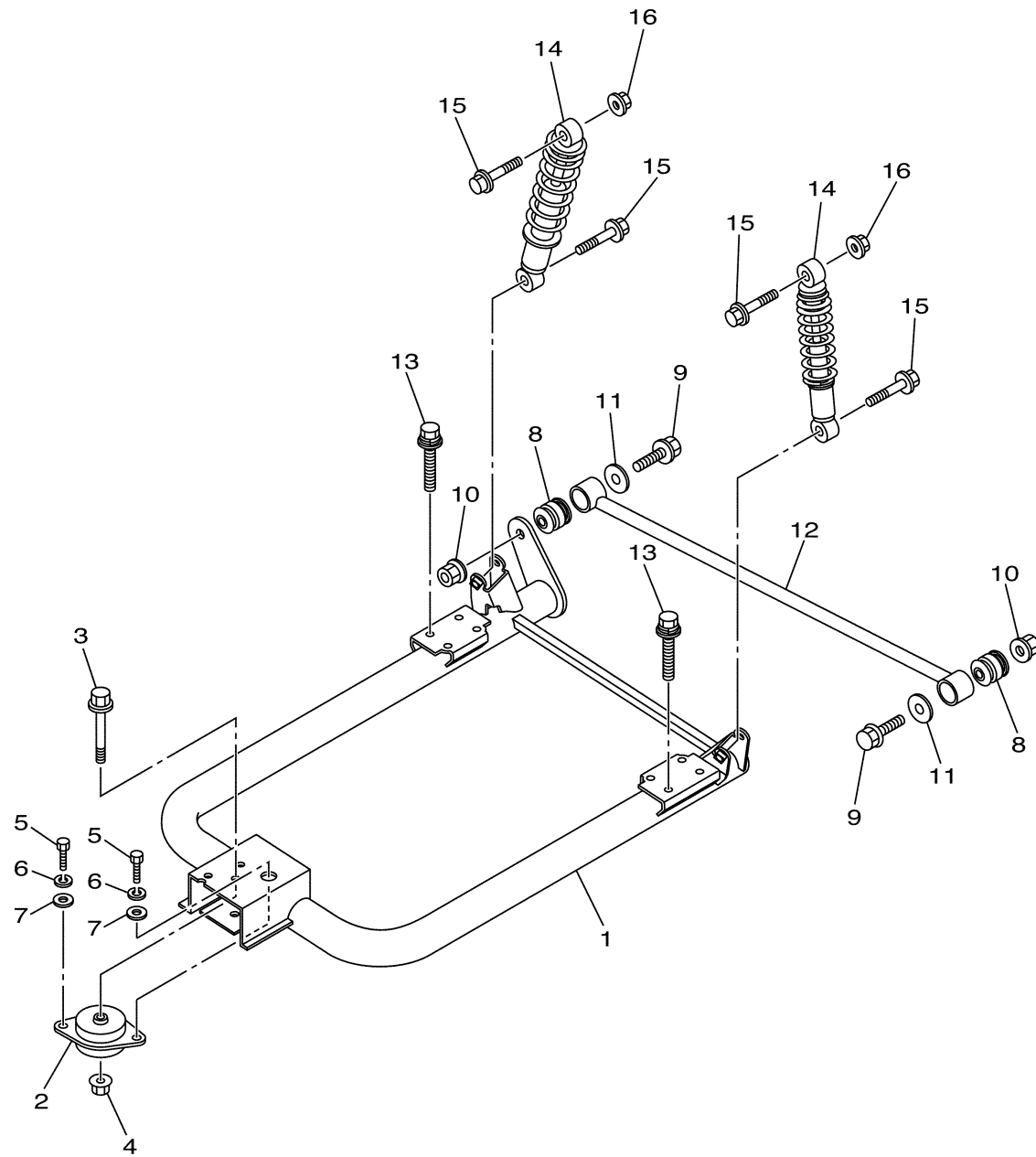
STARTING SERIAL NO.
(DRIVE YDREX3): JW9-300101



OWNERS LIT-19626-TBA
ASSEMBLY LIT-11666-TBA
SERVICE LIT-11616-TBA

REAR ARM & SUSPENSION

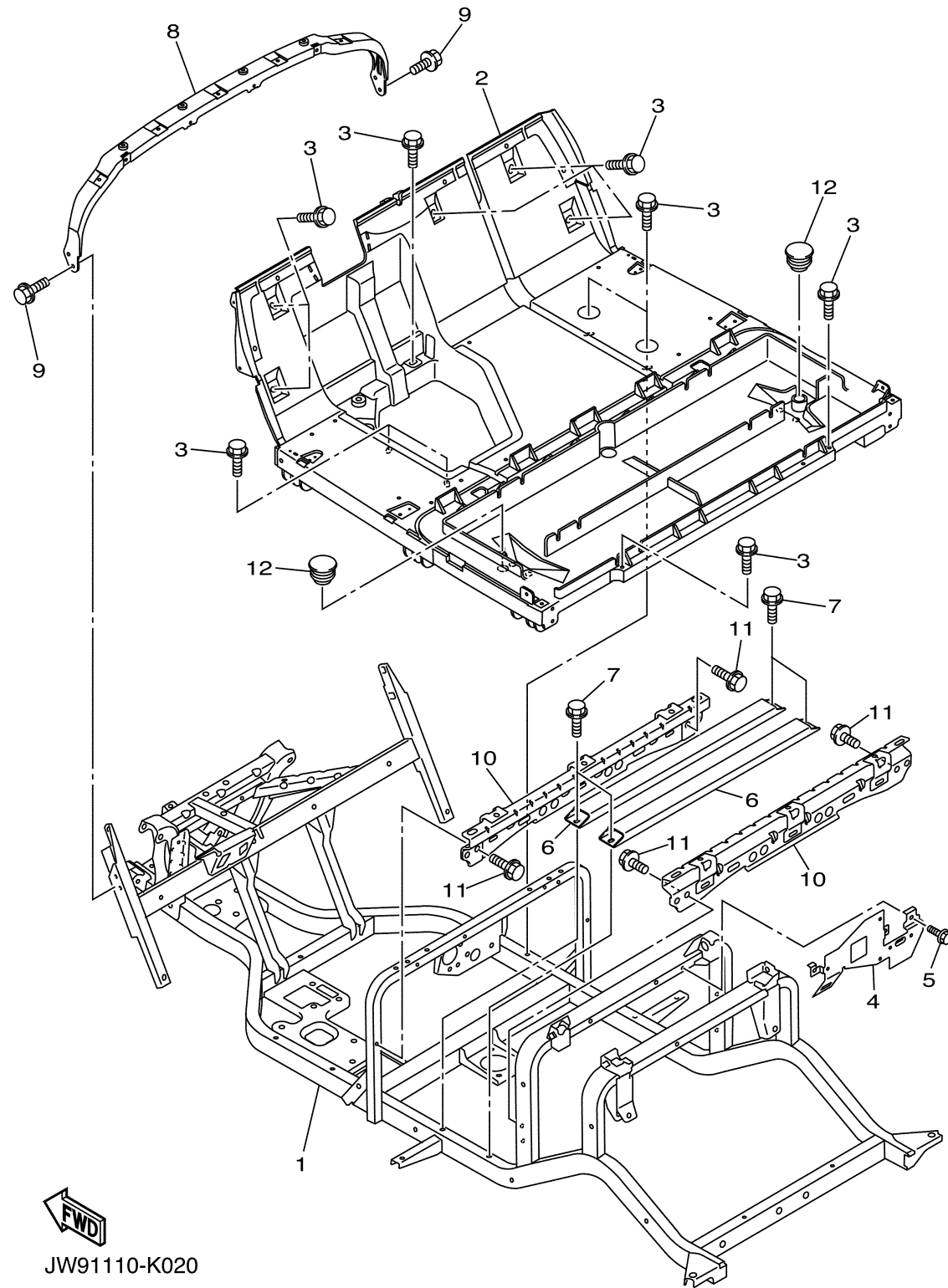
Ref No.	Part Number	Description	Qty	Remarks
1	JW2-F2110-12-00	REAR ARM COMP.	1	
2	JN6-F2123-10-00	BUSH 1	1	
3	90105-13800-00	BOLT, FLANGE	1	
4	90179-13800-00	NUT	1	
5	97012-10020-00	BOLT	2	
6	92902-10100-00	WASHER, SPRING	2	
7	92902-10600-00	WASHER, PLATE	2	
8	JN6-F2124-10-00	BUSH 2	2	
9	95812-12065-00	BOLT, FLANGE	2	
10	95602-12200-00	NUT, SELF-LOCKING	2	
11	90201-128S4-00	WASHER, PLATE	2	
12	JW1-F217G-10-00	ROD, CONNECTING 2	1	
13	JW1-F2277-00-00	BOLT	8	
14	JW2-F2210-10-00	SHOCK ABSORBER ASSY, REAR	2	
15	95812-10055-00	BOLT, FLANGE	4	
16	95602-10200-00	NUT, U FLANGE	2	



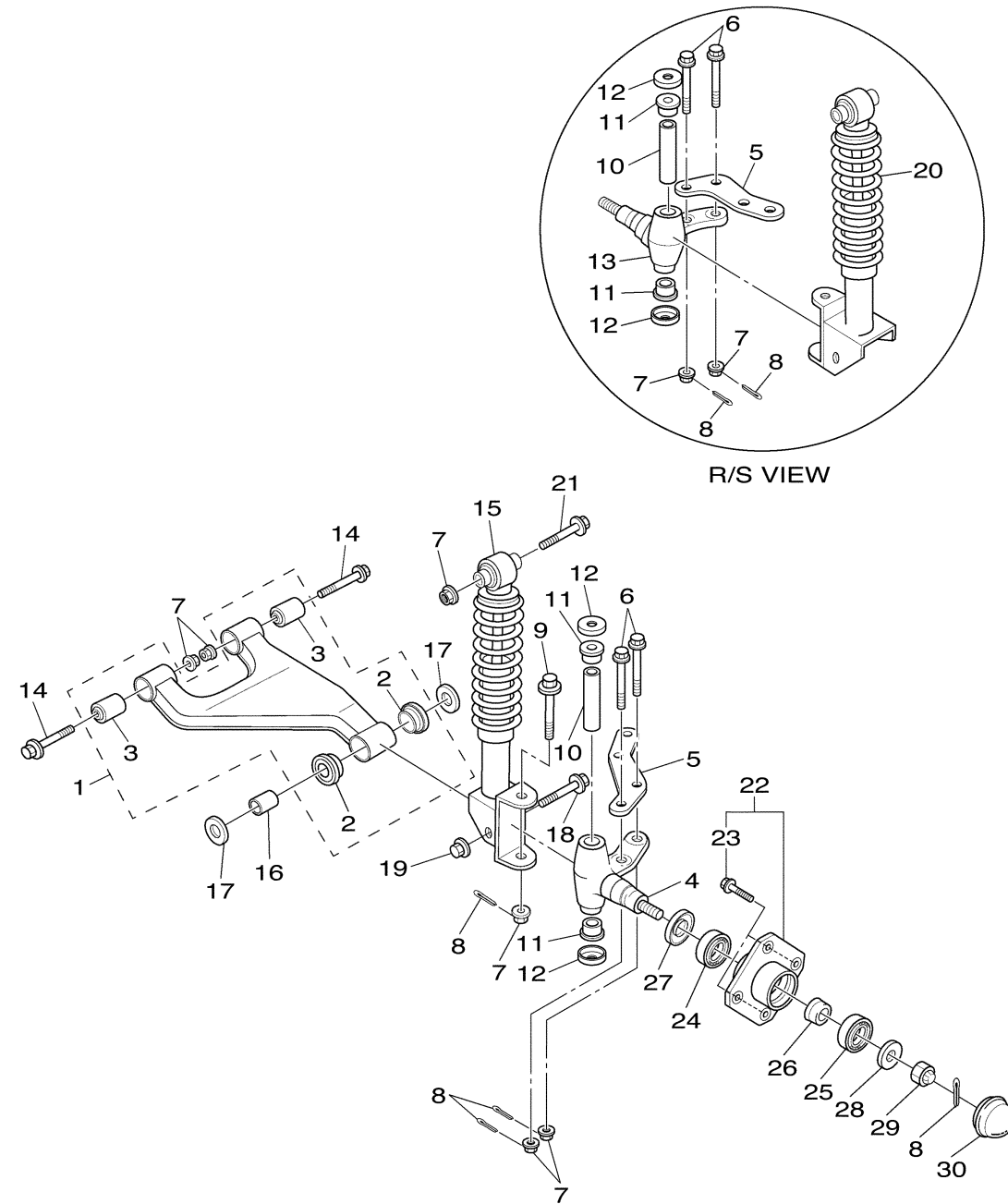

JW94110-M010

FRAME

Ref No.	Part Number	Description	Qty	Remarks
1	JW8-F2501-00-00	FRAME COMP.	1	
2	JW9-F7411-01-00	FOOTREST 1	1	
3	JW1-F1738-00-00	BOLT	12	
4	JW9-F252M-00-00	BRACKET, 3	1	
5	90105-06831-00	BOLT, FLANGE	3	
6	JW9-F2198-01-00	MEMBER, CROSS	2	
7	JW1-F1738-00-00	BOLT	4	
8	JW1-F258G-02-00	BRACKET, DASH UPPER 1	1	
9	90105-06831-00	BOLT, FLANGE	4	
10	JW9-F2535-00-00	STAY, BATTERY 1	2	
11	JW1-F1738-00-00	BOLT	4	
12	JW9-F2417-00-00	PLUG	2	



FRONT SUSPENSION



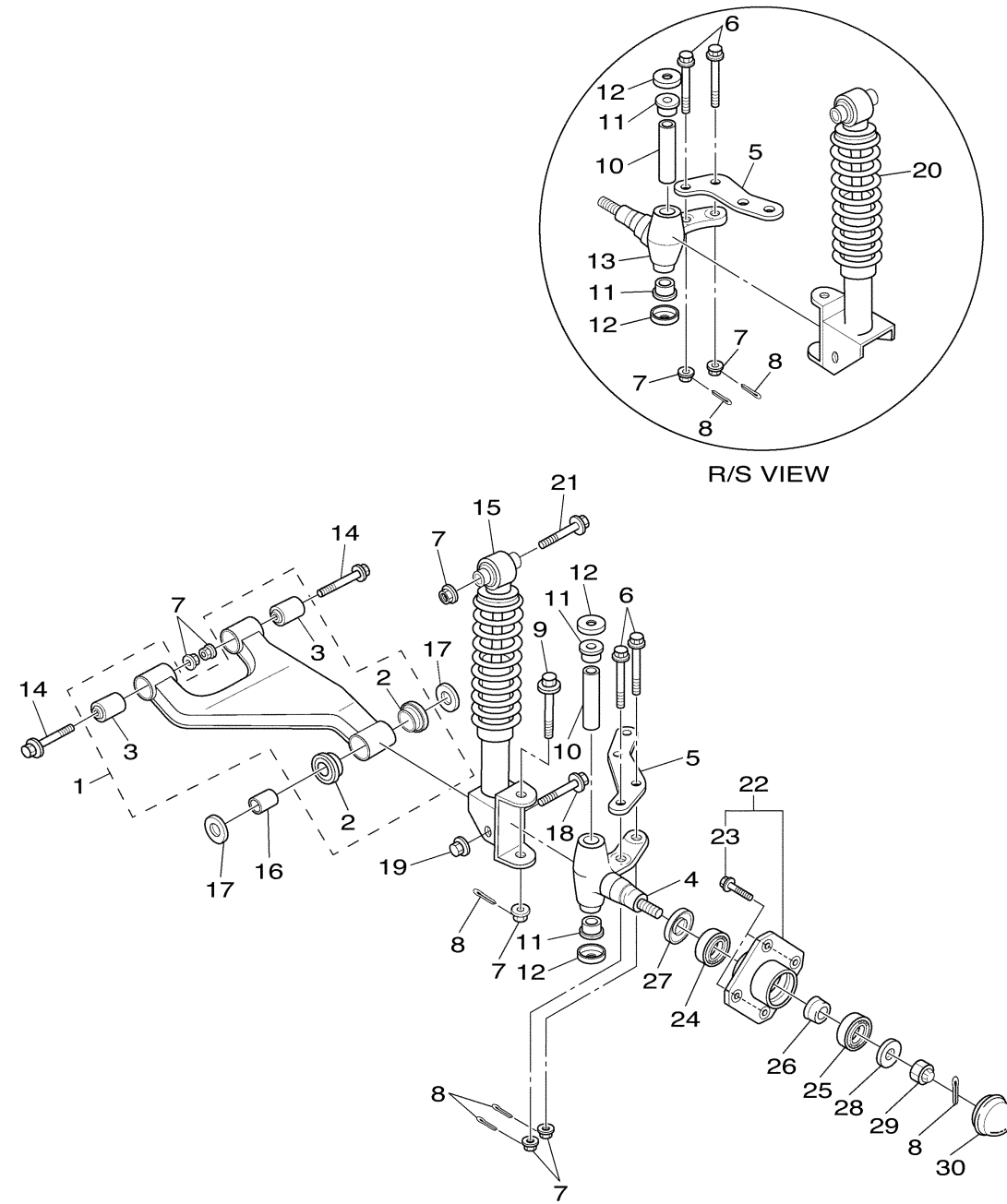
Ref No.	Part Number	Description	Qty	Remarks
1	JU0-F3570-20-00	FRONT LOWER ARM COMP.	2	
2	90381-18001-00	. .BUSH, SOLID	2	
3	2HR-23526-00-00	. BUSH	2	
4	JU0-F3511-10-00	KNUCKLE, STEERING 1	1	
5	JW1-F3512-00-00	ARM, KNUCKLE 1	2	
6	90105-10728-00	BOLT, FLANGE	4	
7	95602-10200-00	NUT, U FLANGE	12	
8	91402-25020-00	PIN, COTTER	8	
9	90105-10064-00	BOLT, FLANGE	2	
10	2NL-23448-00-00	SPACER	2	
11	90381-17067-00	.BUSH, SOLID	4	
12	2NL-23517-00-00	COVER, THRUST 1	4	
13	JU0-F3521-10-00	KNUCKLE, STEERING 2	1	
14	90105-10267-00	BOLT, FLANGE	4	
15	JW2-F3350-00-00	SHOCK ABSORBER ASSY	1	
16	90387-12016-00	COLLAR	2	
17	401-22128-01-00	COVER, THRUST 1	4	
18	95812-12080-00	BOLT, FLANGE	2	
19	95612-12100-00	NUT, U	2	
20	JW2-F3390-00-00	SHOCK ABSORBER ASSY 2	1	

CONTINUED ON NEXT FRAME >



JW15110-J130

FRONT SUSPENSION



Ref No.	Part Number	Description	Qty	Remarks
21	90105-10267-00	BOLT, FLANGE	2	
22	JG5-WF511-10-00	HUB, FRONT	2	
23	90114-12806-00	. .BOLT, SERRATION	4	
24	93306-204X0-00	BEARING	2	
25	93306-005Y3-00	BEARING	2	
26	90387-241M7-00	COLLAR	2	
27	93102-30083-00	OIL SEAL	2	
28	90208-14801-00	WASHER, CONICAL SPRING	2	
29	95602-14100-00	NUT, U	2	
30	JN6-F5118-01-00	COVER, HUB DUST	2	

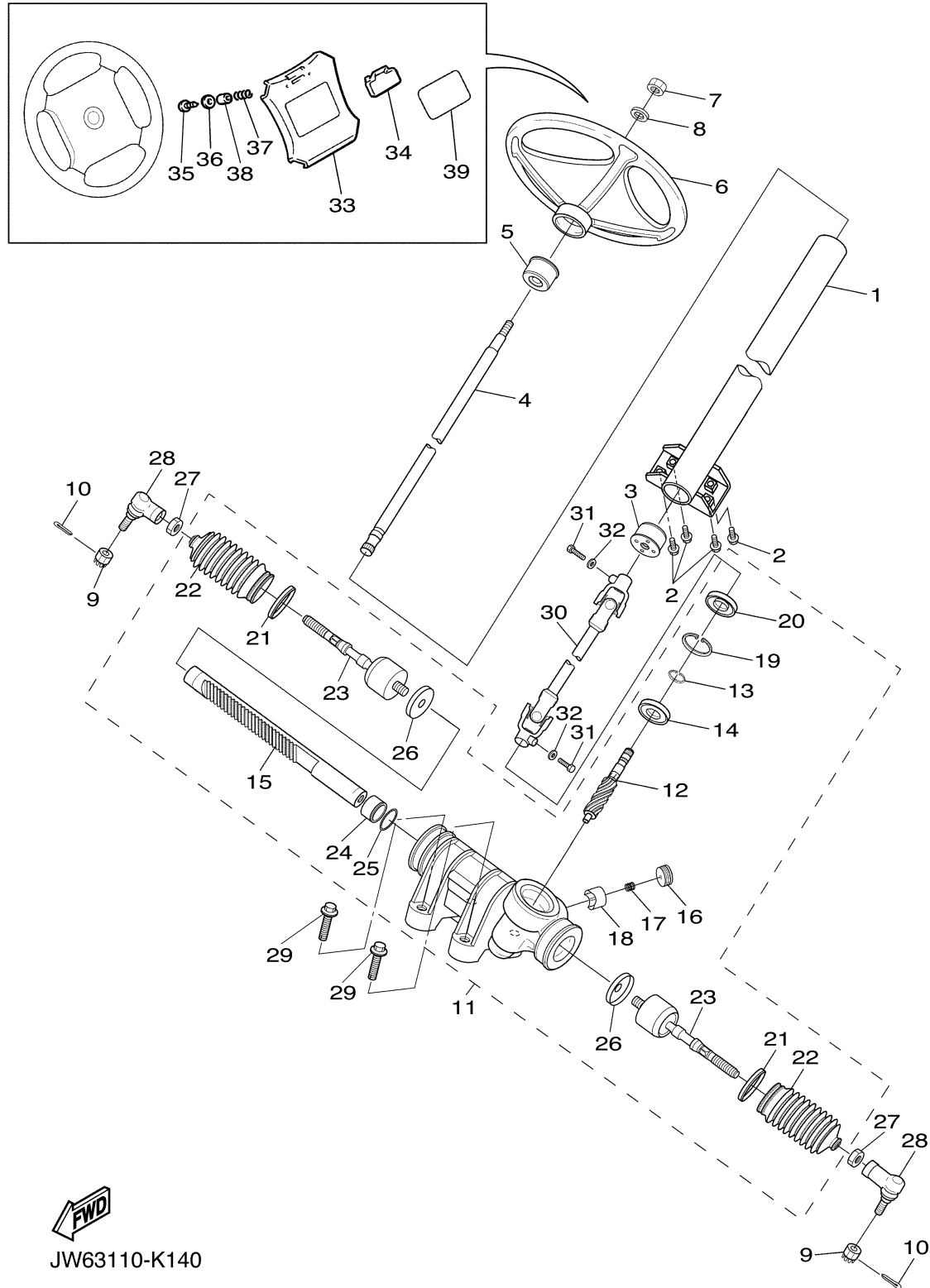


JW15110-J130

STEERING

Ref No.	Part Number	Description	Qty	Remarks
1	JW1-F3811-02-00	COLUMN, STEERING	1	
2	95812-08020-00	BOLT, FLANGE	4	
3	JU0-F3857-11-00	HOLDER	1	
4	JU0-F3828-10-00	ROD, STEERING	1	
5	JU0-F3857-11-00	HOLDER	1	
6	JN3-F3838-00-00	WHEEL, STEERING	1	
7	90185-12061-00	NUT, SELF-LOCKING	1	
8	92902-12200-00	WASHER	1	
9	95602-12200-00	NUT, SELF-LOCKING	2	
10	91402-25020-00	PIN, COTTER	2	
11	JW1-F3400-00-00	STEERING ASSY	1	
12	JW1-F387A-00-00	. .GEAR,PINION	1	
13	JW1-F3183-00-00	. .CIRCLIP	1	
14	JW1-F3812-00-00	. .BEARING, STEERING	1	
15	JW1-F387E-00-00	. .GEAR, RACK	1	
16	5UG-F387G-00-00	. .COVER, ADJUST	1	
17	5UG-F387K-00-00	. .SPRING, PRESSURE	1	
18	5UG-F387F-00-00	. .PAD, PRESSURE	1	
19	5UG-F387J-00-00	. .RING, STOPPER	1	
20	5UG-F3844-00-00	. .SEAL	1	

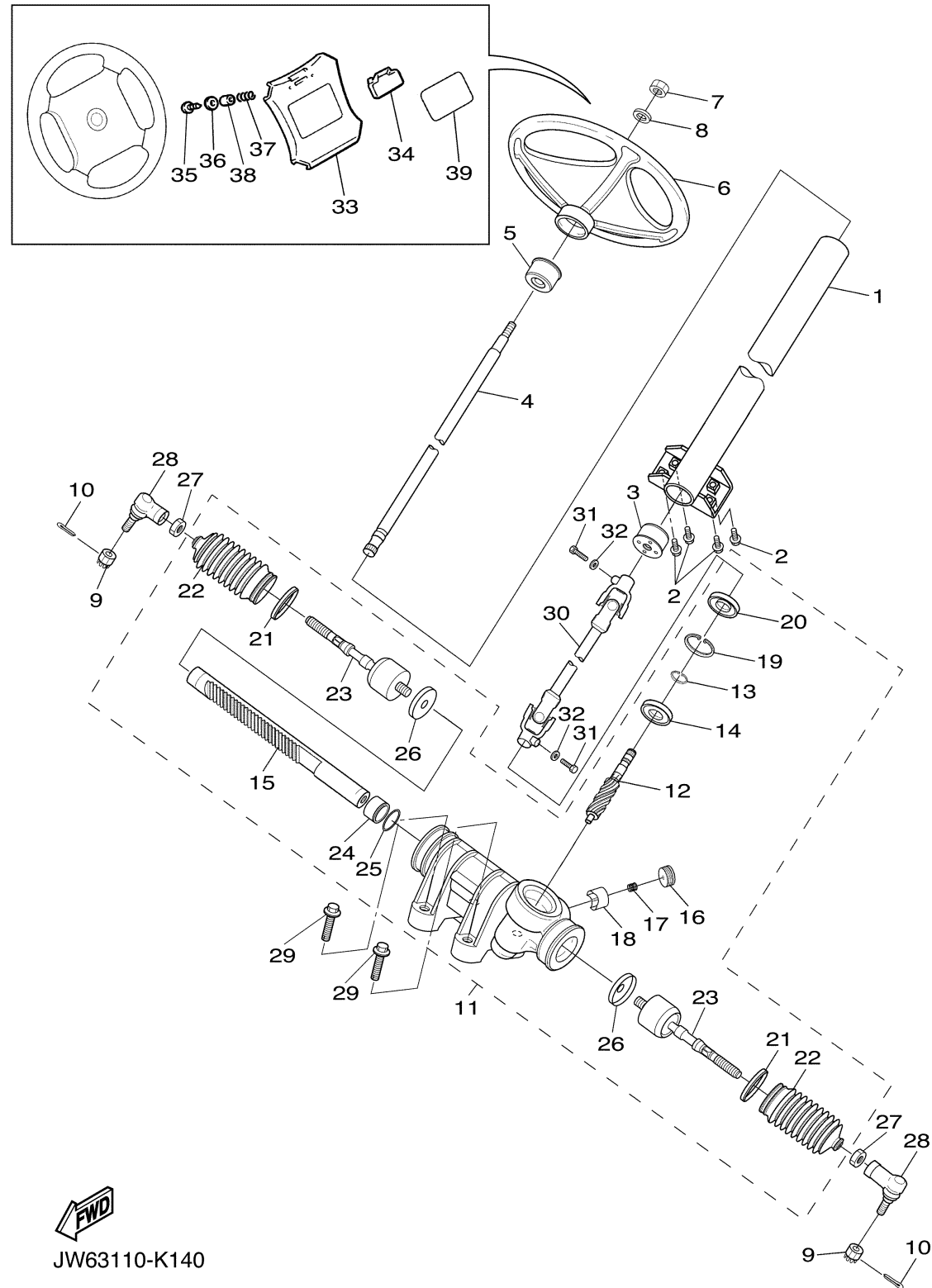
CONTINUED ON NEXT FRAME >




JW63110-K140

STEERING

Ref No.	Part Number	Description	Qty	Remarks
21	5UG-F3489-00-00	. .BAND	2	
22	5UG-F3527-00-00	. .SEAL, DUST 1	2	
23	JW1-F3837-00-00	. .ROD, TIE 2	2	
24	JW1-F467K-00-00	. .BUSH, CAP	1	
25	JW1-F3866-00-00	. .CIRCLIP	1	
26	JW1-F3894-00-00	. .WASHER, LOCK 1	2	
27	1P0-F3833-00-00	NUT 1	2	
28	JU0-23841-10-00	JOINT, UNIVERSAL 1	2	
29	90105-10847-00	BOLT, FLANGE	4	
30	JW1-F3822-01-00	JOINT 1	1	
31	97012-08030-00	BOLT	2	
32	92902-08600-00	WASHER, PLATE	2	
33	JW8-K8357-00-00	HOLDER 1	1	
34	JN6-K8358-01-00	HOLDER 2	1	
35	97702-40525-00	SCREW, TAPPING	2	
36	90201-04810-00	WASHER, PLATE	2	
37	90502-10013-00	SPRING, CONICAL	2	
38	90387-046N7-00	COLLAR	2	
39	JU0-K7762-00-00	LABEL, WARNING 2 (E)	1	

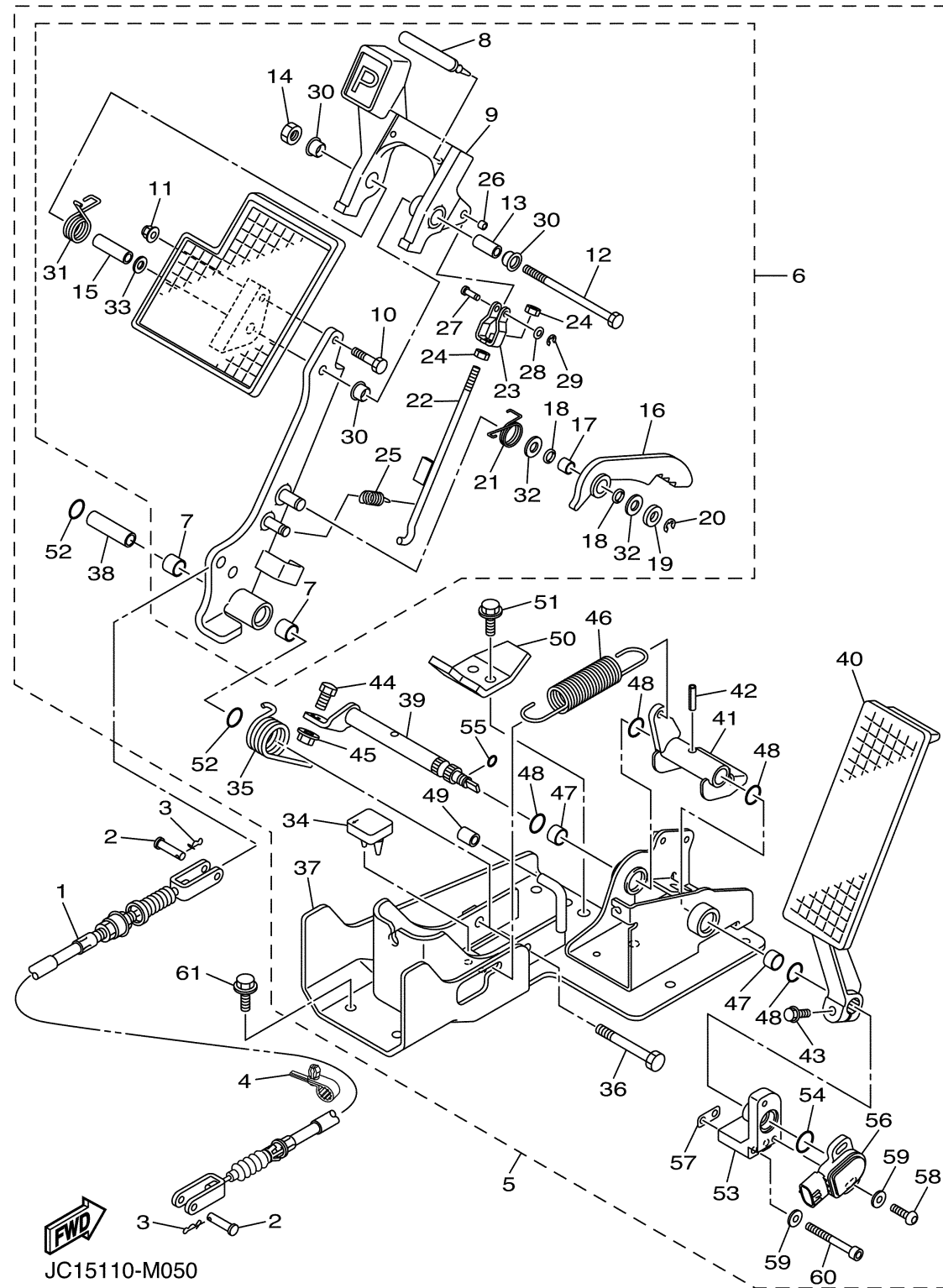



JW63110-K140

PEDAL ASSEMBLY

Ref No.	Part Number	Description	Qty	Remarks
1	JW2-F6341-31-00	WIRE, BRAKE 1	1	
2	91702-10028-00	PIN, CLEVIS	2	
3	90468-20196-00	CLIP	2	
4	JW7-F312H-00-00	CLAMP	2	
5	JW9-F7850-20-00	PEDAL ASSY (L.H)	1	
6	JW9-F7200-20-00	. . .PEDAL, BRAKE	1	
7	JW8-F7814-20-00	. . .BUSH, PEDAL	2	
8	JW9-F5672-00-00PAD, PARKING PEDAL	1	
9	JW9-F5671-00-00PEDAL, PARKING BRAKE	1	
10	JW8-F7117-00-00BOLT, MAIN STAND	1	
11	JW8-F8363-00-00NUT	1	
12	JW8-F7416-00-00BOLT, FOOTREST	1	
13	JW8-F639N-00-00COLLAR	1	
14	JW8-F7218-00-00NUT	1	
15	JW8-F7113-00-00COLLAR, MAIN STAND	1	
16	JW9-F5666-00-00SECTOR, PARKING BRAKE	1	
17	JW8-F7121-00-00BUSH	1	
18	JW9-F7221-00-00SEAL, SHAFT	2	
19	JW8-F7322-00-00WASHER	1	
20	JW8-F3183-00-00CIRCLIP	1	

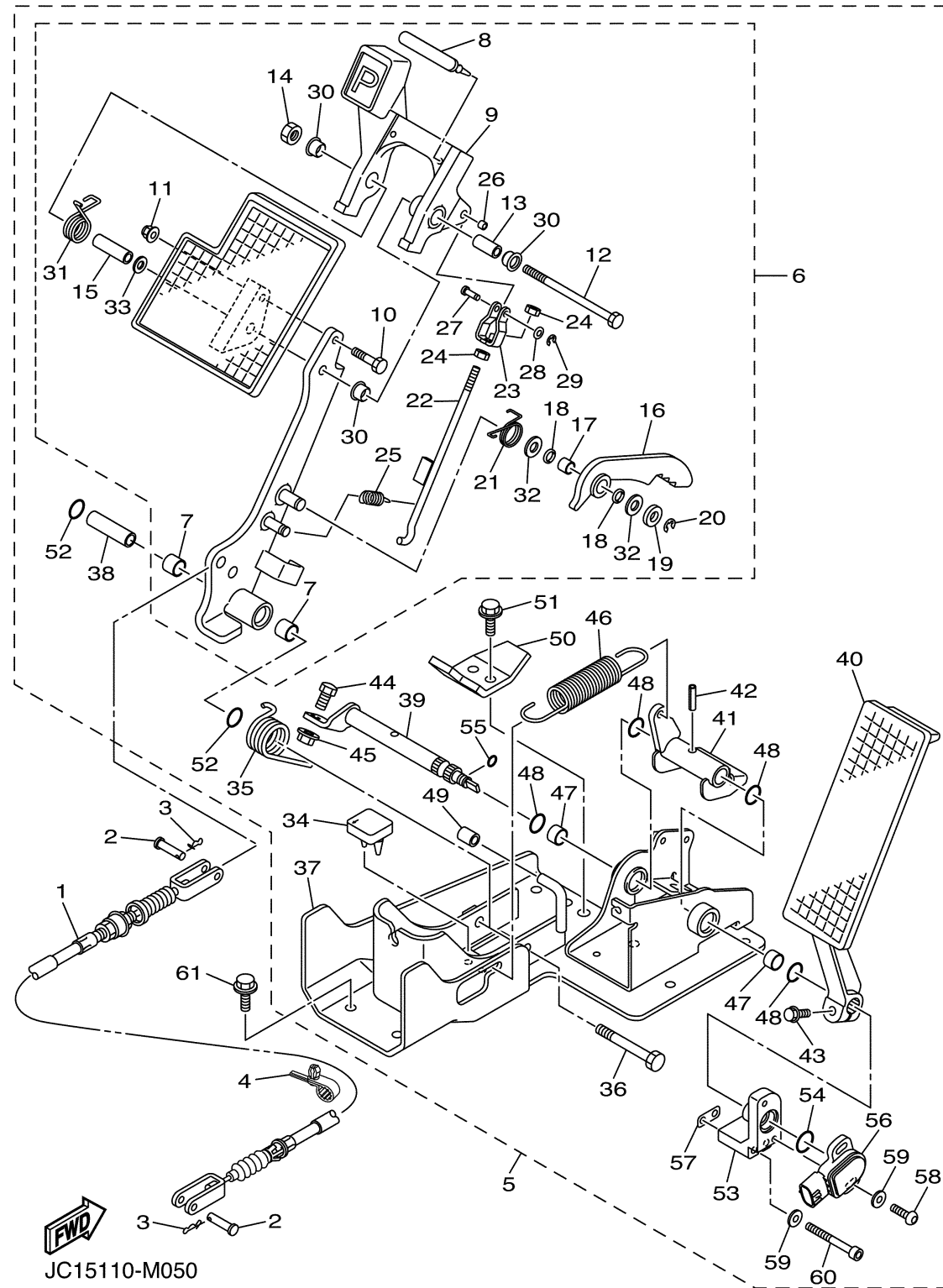
CONTINUED ON NEXT FRAME >



PEDAL ASSEMBLY

Ref No.	Part Number	Description	Qty	Remarks
21	JW8-F7426-00-00	...SPRING, RETURN	1	
22	JW9-F7231-10-00	...ROD, BRAKE	1	
23	JW9-F7232-00-00	...END, ROD 2	1	
24	JW8-F7318-00-00	...NUT	2	
25	90506-09800-00	...SPRING, TENSION	1	
26	JW8-F639L-00-00	...BUSH 1	1	
27	JW9-F7228-00-00	...PIN, JOINT	1	
28	JW8-F8323-00-00	...WASHER, LEG SHIELD	1	
29	JW8-F5415-00-00	...CIRCLIP	1	
30	90386-12800-00	...BUSH	3	
31	JW8-F7825-00-00	...SPRING, RETURN	1	
32	JW8-F7119-00-00	...WASHER	2	
33	JW8-F8319-00-00	...WASHER	1	
34	JW9-F7245-10-00	..PAD, BRAKE PEDAL	1	
35	JW8-F7316-00-00	..SPRING, SIDE STAND	1	
36	JW8-F7217-00-00	..BOLT	1	
37	JW9-F7445-20-00	..PLATE 1	1	
38	JW8-F7213-20-00	..COLLAR	1	
39	JW9-F7853-00-00	..SHAFT, PEDAL 1	1	
40	JW9-F7871-10-00	..PEDAL, ACCELERATOR	1	

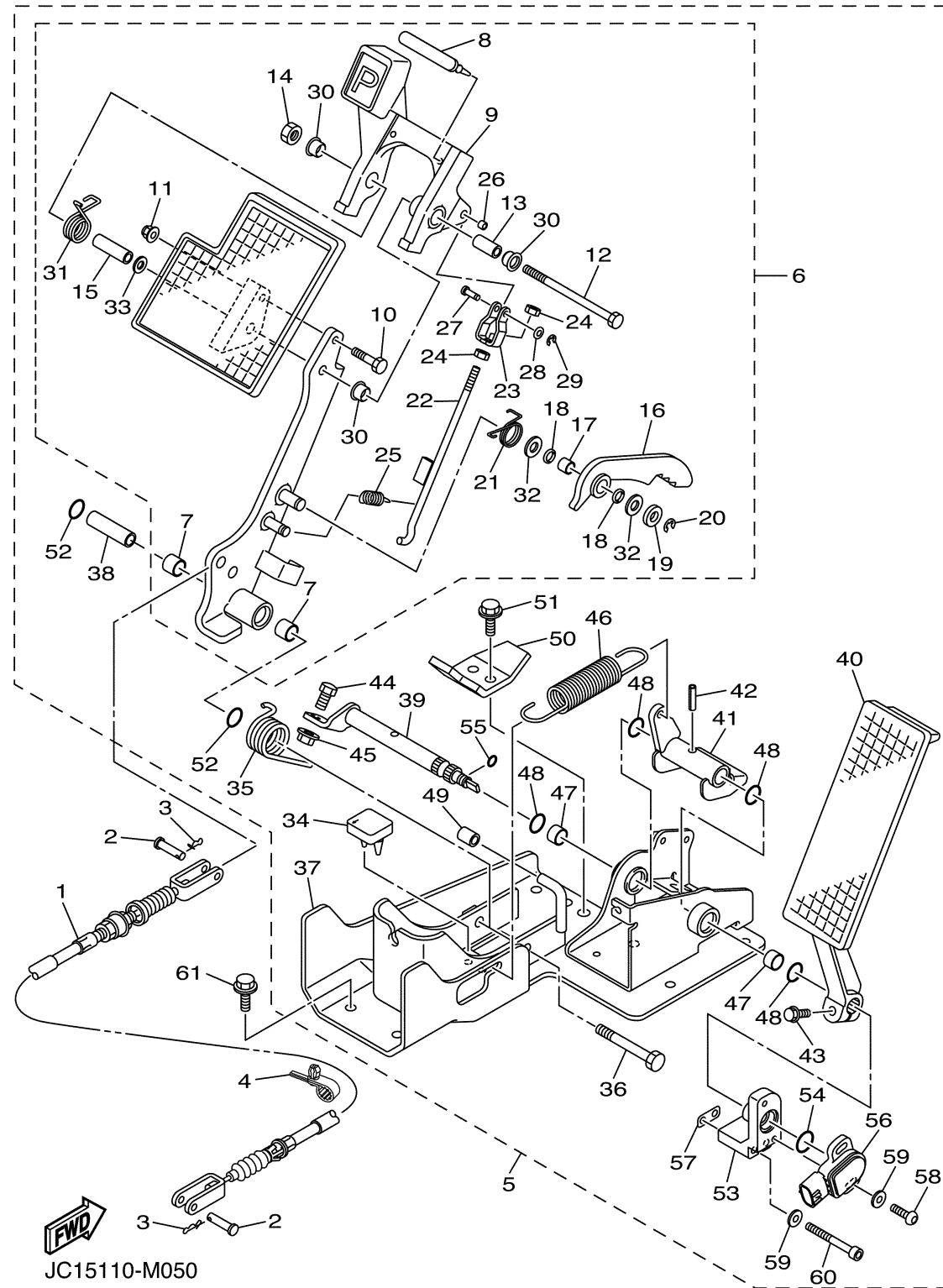
CONTINUED ON NEXT FRAME >



PEDAL ASSEMBLY

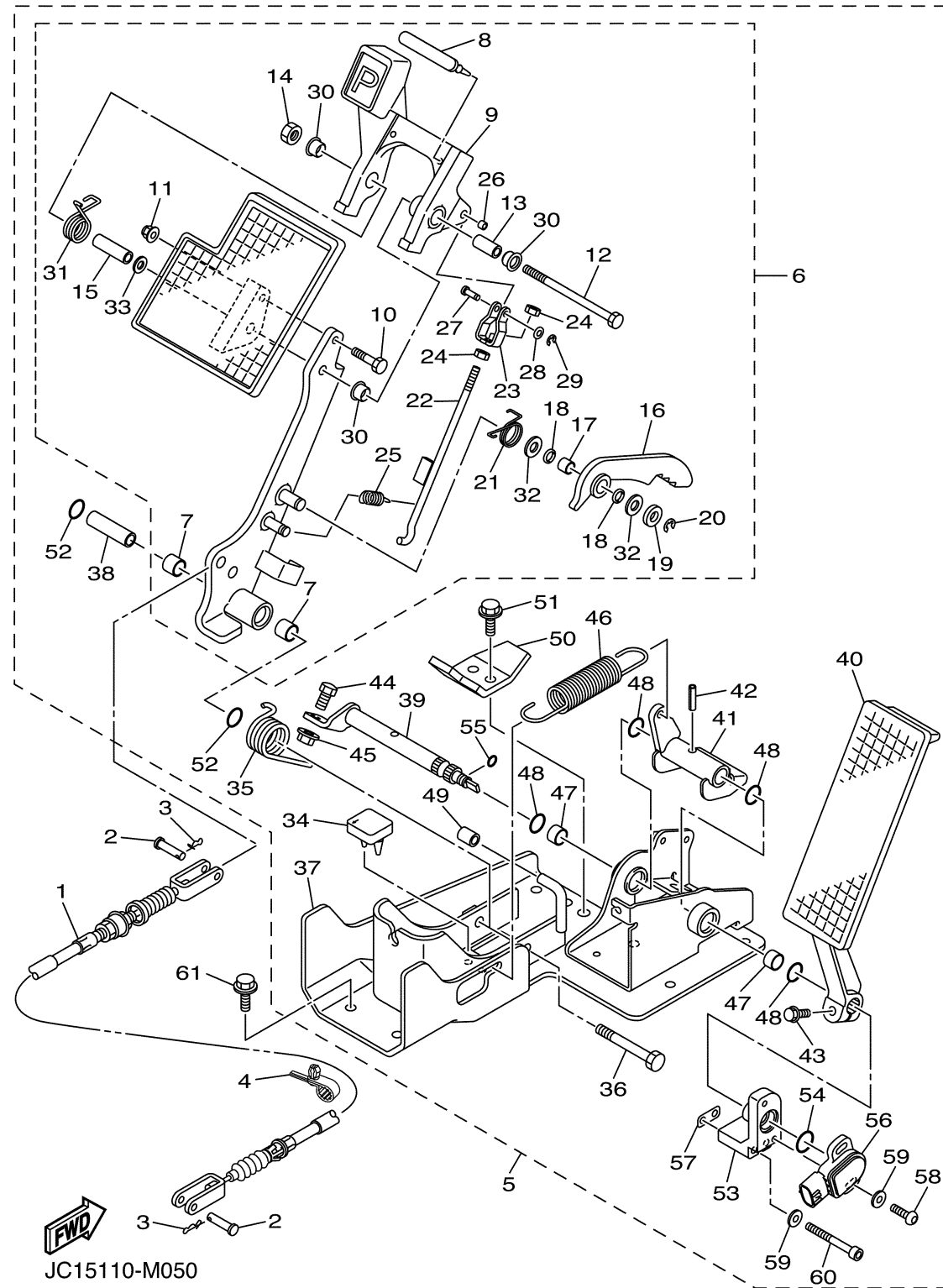
Ref No.	Part Number	Description	Qty	Remarks
41	JW9-F7872-20-00	..ARM, ACCELERATOR PEDAL	1	
42	JW8-F7438-00-00	..PIN, CLEVIS	1	
43	JW8-F7434-00-00	..BOLT	1	
44	JW8-F7317-00-00	..BOLT	1	
45	JW8-F7118-00-00	..NUT	1	
46	JW8-F815H-00-00	..SPRING	1	
47	JW8-F7814-20-00	..BUSH, PEDAL	2	
48	JW8-F4486-00-00	..O-RING	4	
49	JW9-F5673-00-00	..DAMPER, BRAKE	1	
50	JW9-F7246-20-00	..NAIL, BRAKE	1	
51	JW8-F8331-00-00	..BOLT, LEG SHIELD	2	
52	JW8-F4486-00-00	..O-RING	2	
53	JW9-F7263-00-00	..BRACKET 1	1	
54	JW9-F4648-20-00	..O-RING	1	
55	JW8-F41B8-00-00	..O-RING	1	
56	JW9-H5885-00-00	..THROTTLE SENSOR ASSY	1	
57	JW9-F5827-10-00	..SHIM, CALIPER	1	UR
57	JW9-F5827-00-00	..SHIM, CALIPER	1	UR
58	JW9-F632G-00-00	..SCREW	2	
59	90201-05824-00	..WASHER, PLATE	4	

CONTINUED ON NEXT FRAME >

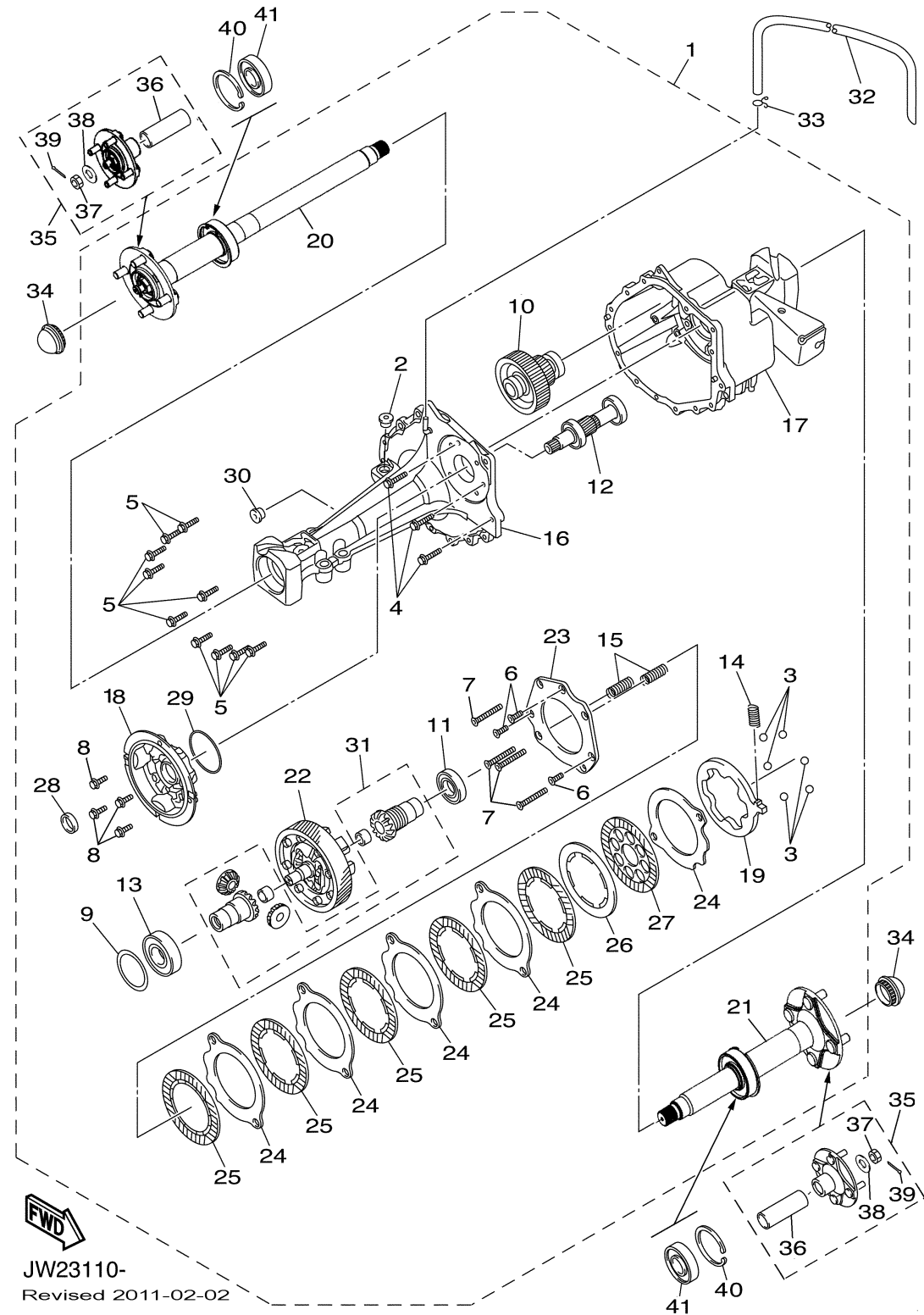


PEDAL ASSEMBLY

Ref No.	Part Number	Description	Qty	Remarks
60	JW8-F7435-00-00	. .BOLT	2	
61	95812-08020-00	BOLT, FLANGE	6	



TRANSAXLE & BRAKE

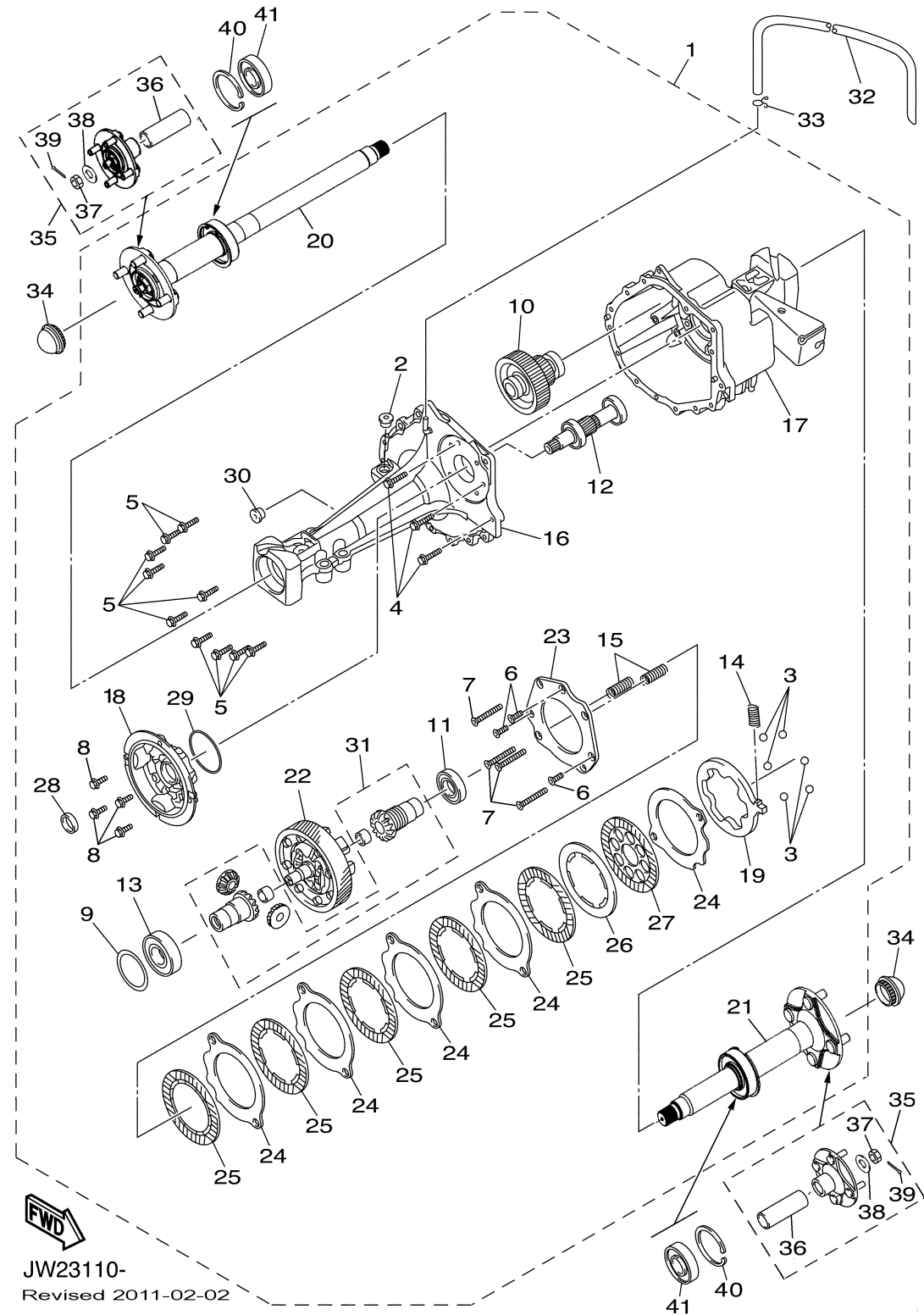


JW23110-
Revised 2011-02-02

Ref No.	Part Number	Description	Qty	Remarks
1	JW2-G6300-03-00	TRANS AXLE ASSY	1	
2	JW1-G6168-00-00	..PLUG, DRAIN 1	1	
3	JW1-F4684-00-00	..BALL	6	
4	JW2-G6159-00-00	..BOLT 3	4	
5	JW1-G4582-00-00	..BOLT, 2	10	
6	JW1-G4189-00-00	..SCREW	3	
7	JW1-G6158-00-00	..BOLT 2	4	
8	JW2-G4165-00-00	..SCREW, DETENT	4	
9	JW2-G6117-00-00	..SHIM, RING GEAR	1	UN
10	JW2-G6348-01-00	..SHAFT 2	1	
11	JW2-G6164-00-00	..BEARING 1	1	
12	JW2-G6320-01-00	..INPUT SHAFT ASSY	1	
13	JW2-G6167-00-00	..BEARING 4	1	
14	JW2-G4116-00-00	..SPRING	1	
15	JW1-G4135-00-00	..SPRING	2	
16	JW2-G6540-01-00	..REAR AXLE HOUSING COMP.	1	
17	JW2-G6550-02-00	..REAR AXLE HOUSING COMP. 2	1	
18	JW2-G6544-00-00	..FLANGE 1	1	
19	JW2-F384K-00-00	..BALL, SEAT	1	
20	JW2-G6510-01-00	..REAR AXLE SHAFT COMP.	1	

CONTINUED ON NEXT FRAME >

TRANSAXLE & BRAKE

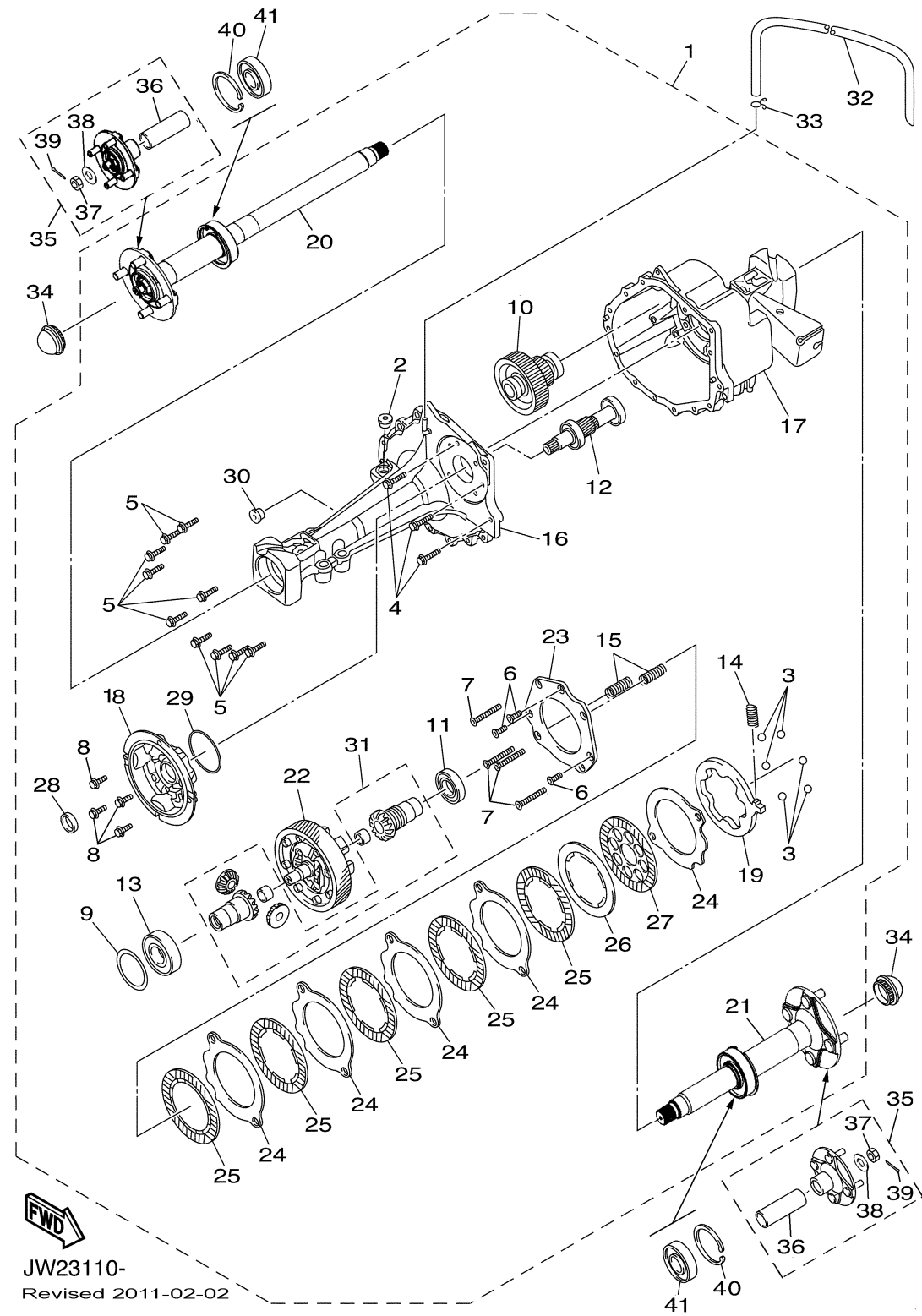


JW23110-
Revised 2011-02-02

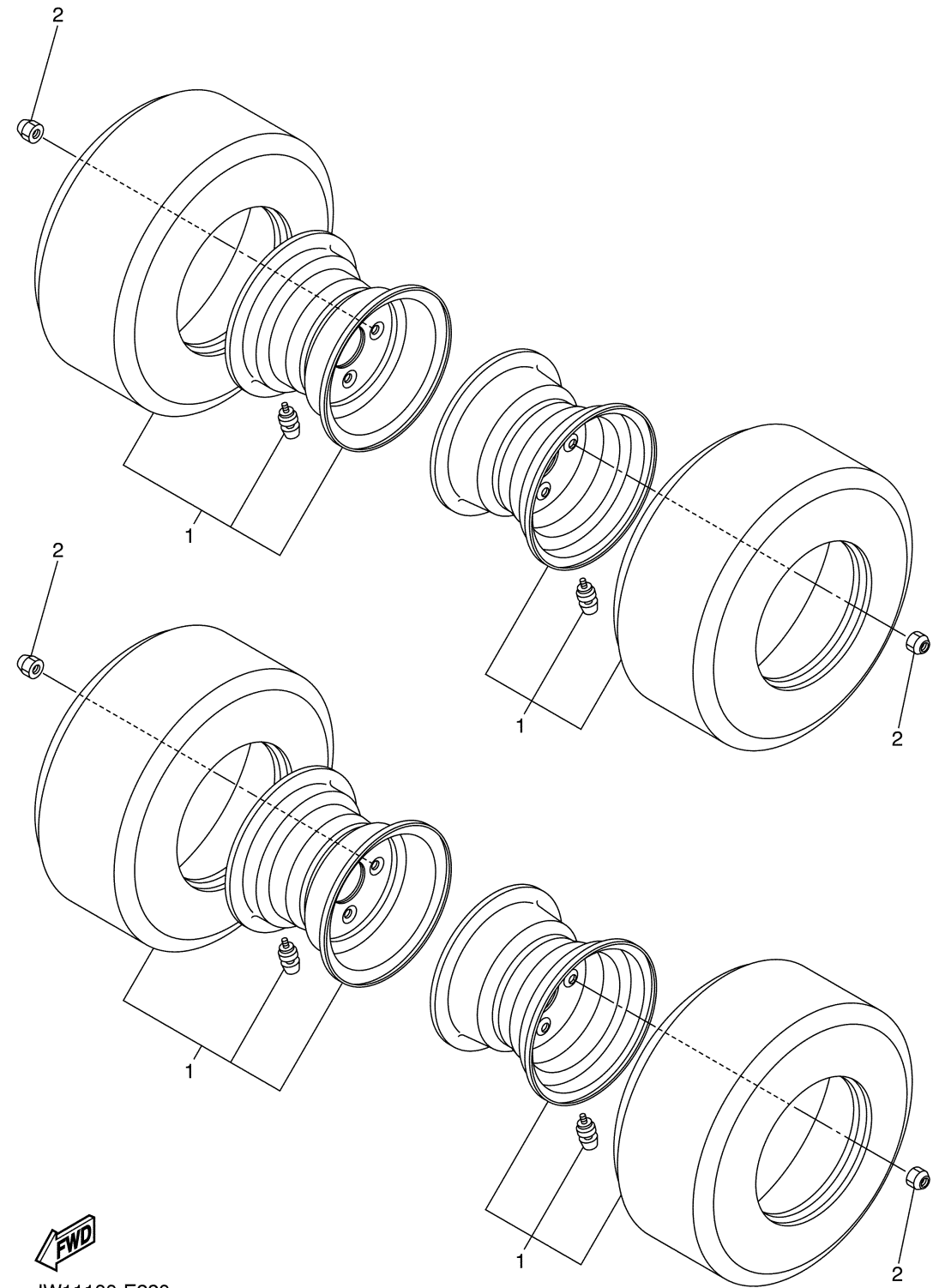
Ref No.	Part Number	Description	Qty	Remarks
21	JW2-G6520-01-00	.REAR AXLE SHAFT COMP. 2	1	
22	JW2-G6110-00-00	.RING GEAR COMP.	1	
23	JW2-G6114-00-00	.PLATE, COVER	1	
24	JW1-G633H-00-00	.PLATE 2	5	
25	JW1-G6336-00-00	.PLATE 1	5	
26	JW1-G4526-00-00	.PLATE	1	
27	JW1-G6345-00-00	.DISC, FRICTION	1	
28	JW2-G6163-00-00	.SEAL, OIL 1	1	
29	JW2-G6134-00-00	.O-RING 1	1	
30	JW1-G5148-00-00	.PLUG, DRAIN	1	
31	JW1-G6410-20-00	.DIFFERENTIAL ASSY.	1	
32	90445-11032-00	HOSE	1	
33	90467-10008-00	CLIP	1	
34	JN6-F5118-01-00	COVER, HUB DUST	2	
35	JN6-F53T0-09-00	HUB KIT	2	
36	JW1-G6128-10-00	.SPACER	1	
37	JW1-G4583-10-00	.NUT	1	
38	JW1-G2376-00-00	.WASHER, SPECIAL	1	
39	JW1-G633J-00-00	.PIN, COTTER	1	
40	JW1-G4156-00-00	RING, SNAP	1	

CONTINUED ON NEXT FRAME >

TRANSAXLE & BRAKE



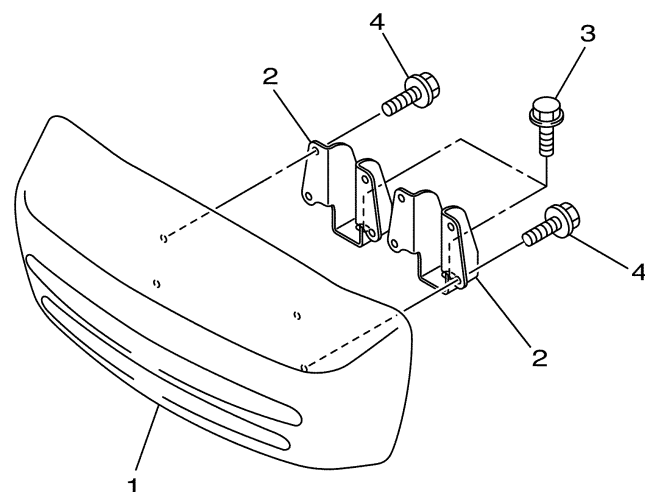
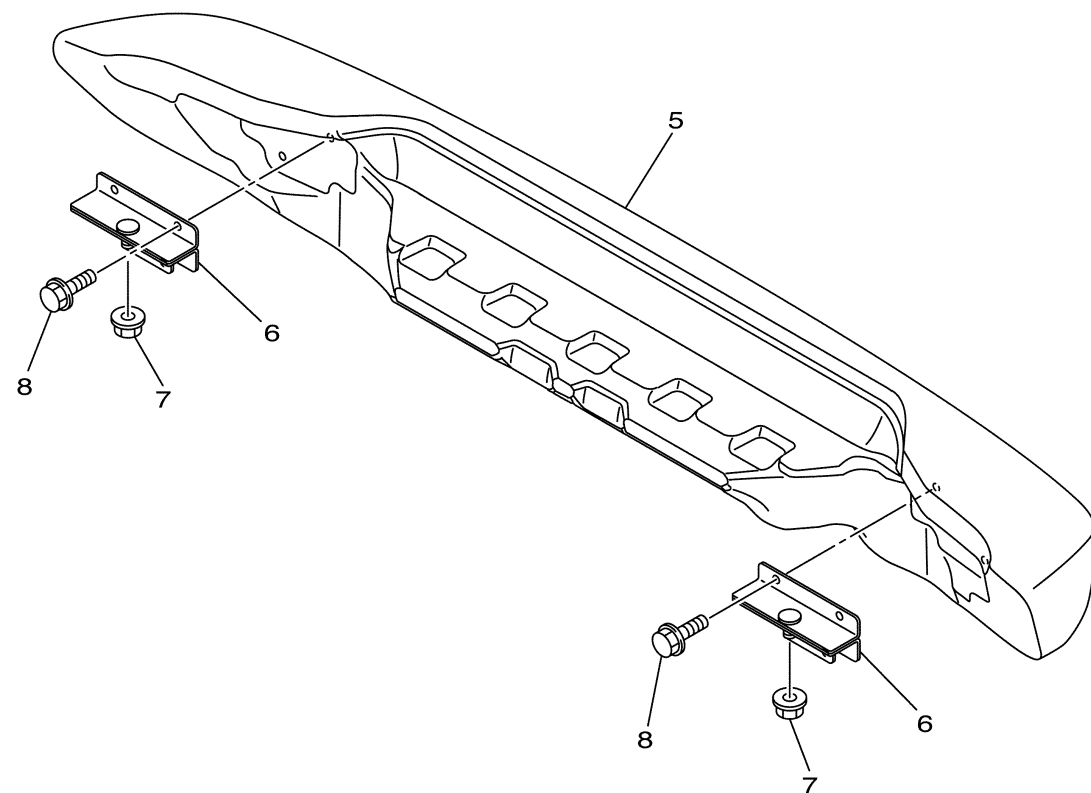
Ref No.	Part Number	Description	Qty	Remarks
41	JW1-F2176-00-00	BEARING	1	



FWD
 JW11100-E220

WHEEL

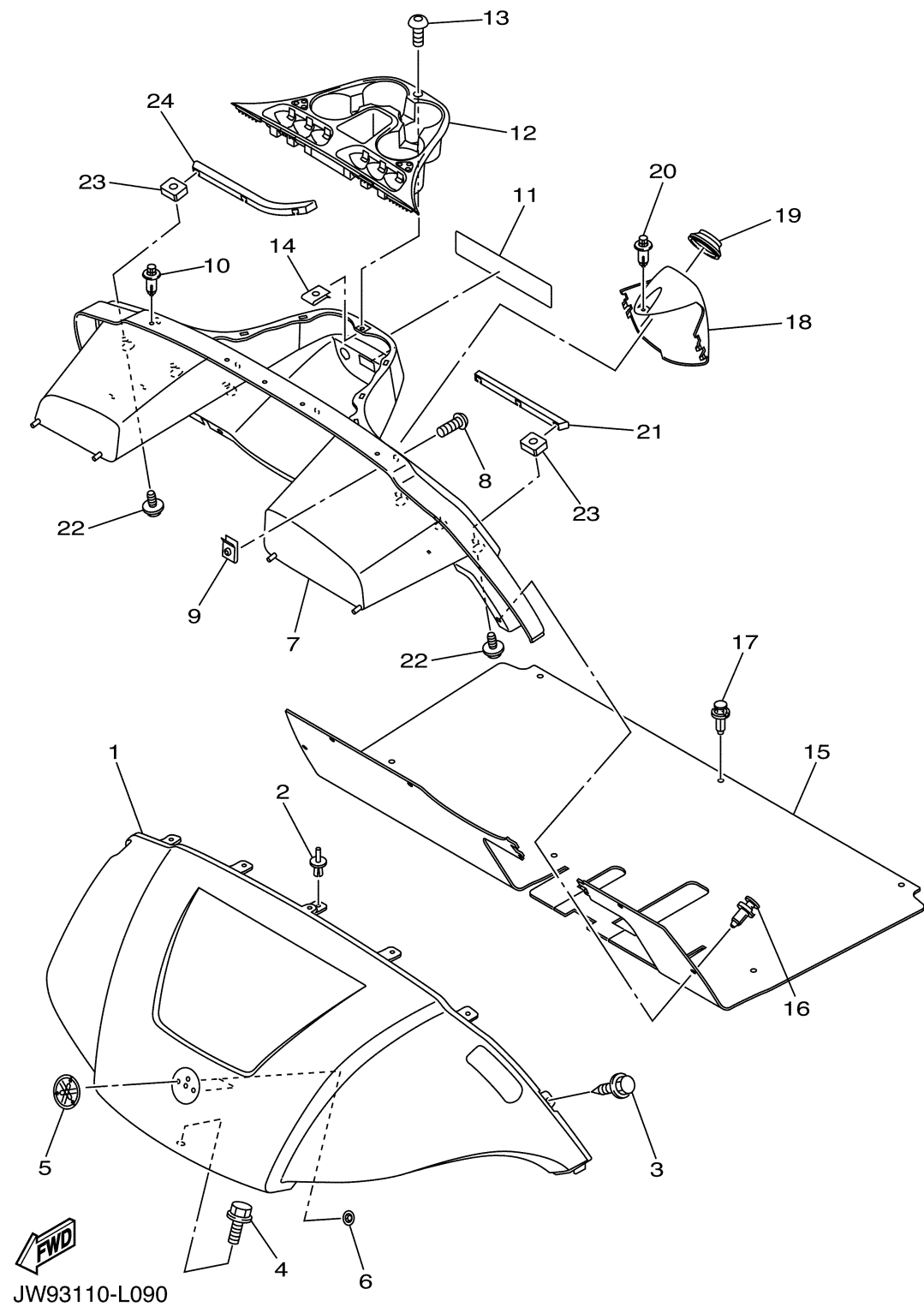
Ref No.	Part Number	Description	Qty	Remarks
1	JW1-F5100-01-00	WHEEL ASSY (18X8.50-8-4PLY)	4	
2	90179-12262-00	NUT	16	




JW81110-K230

BUMPER

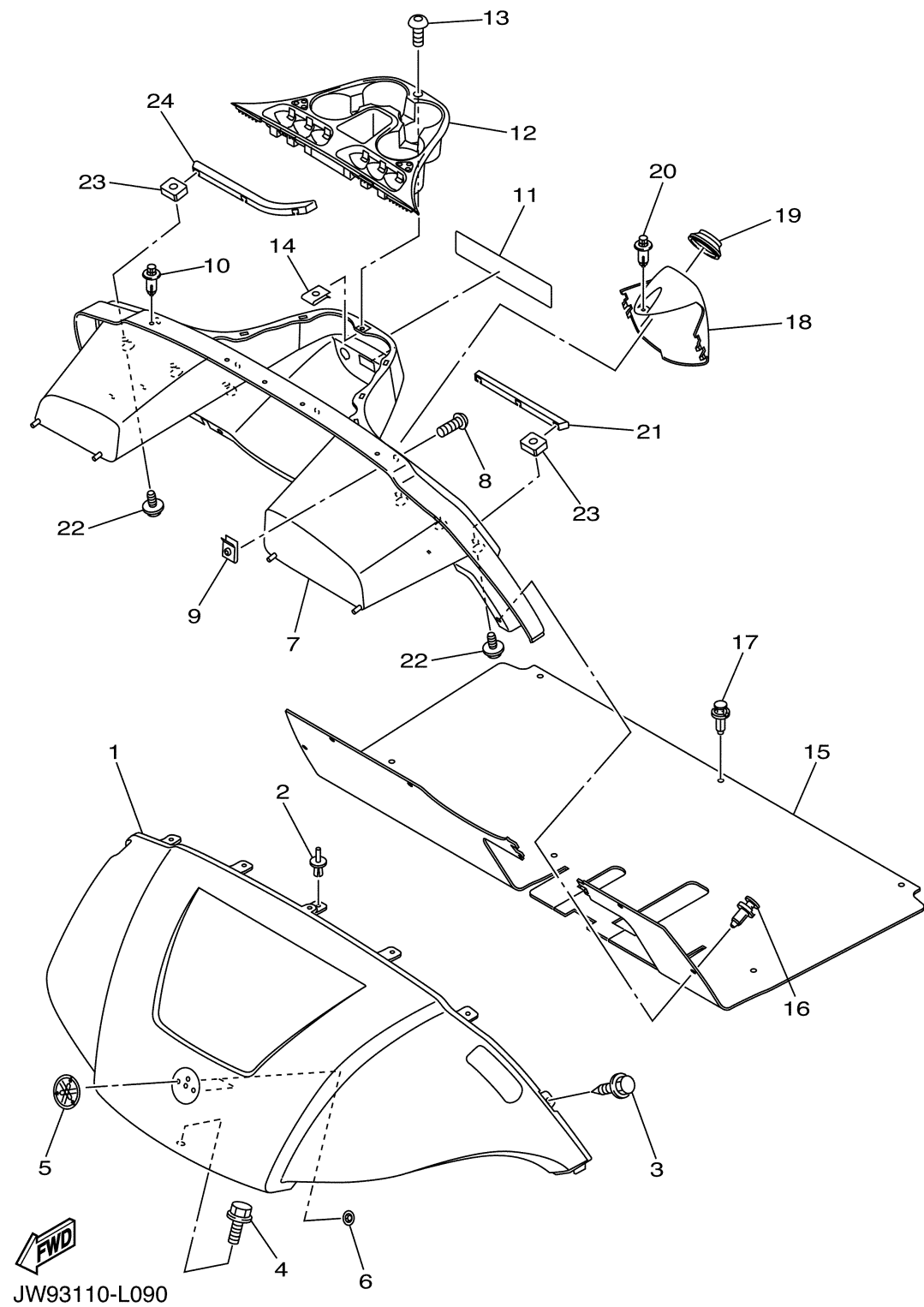
Ref No.	Part Number	Description	Qty	Remarks
1	JW1-K7510-01-00	FRONT BUMPER COMP.	1	
2	JW1-K8164-00-00	STAY, FRONT BUMPER (L.H)	2	
3	90105-088B0-00	BOLT, FLANGE	2	
4	95822-06012-00	BOLT, FLANGE	4	
5	JW1-K7540-11-00	REAR BUMPER COMP.	1	
6	JW1-K8174-00-00	STAY, REAR BUMPER	2	
7	95602-10200-00	NUT, U FLANGE	2	
8	95822-06012-00	BOLT, FLANGE	4	



BODY

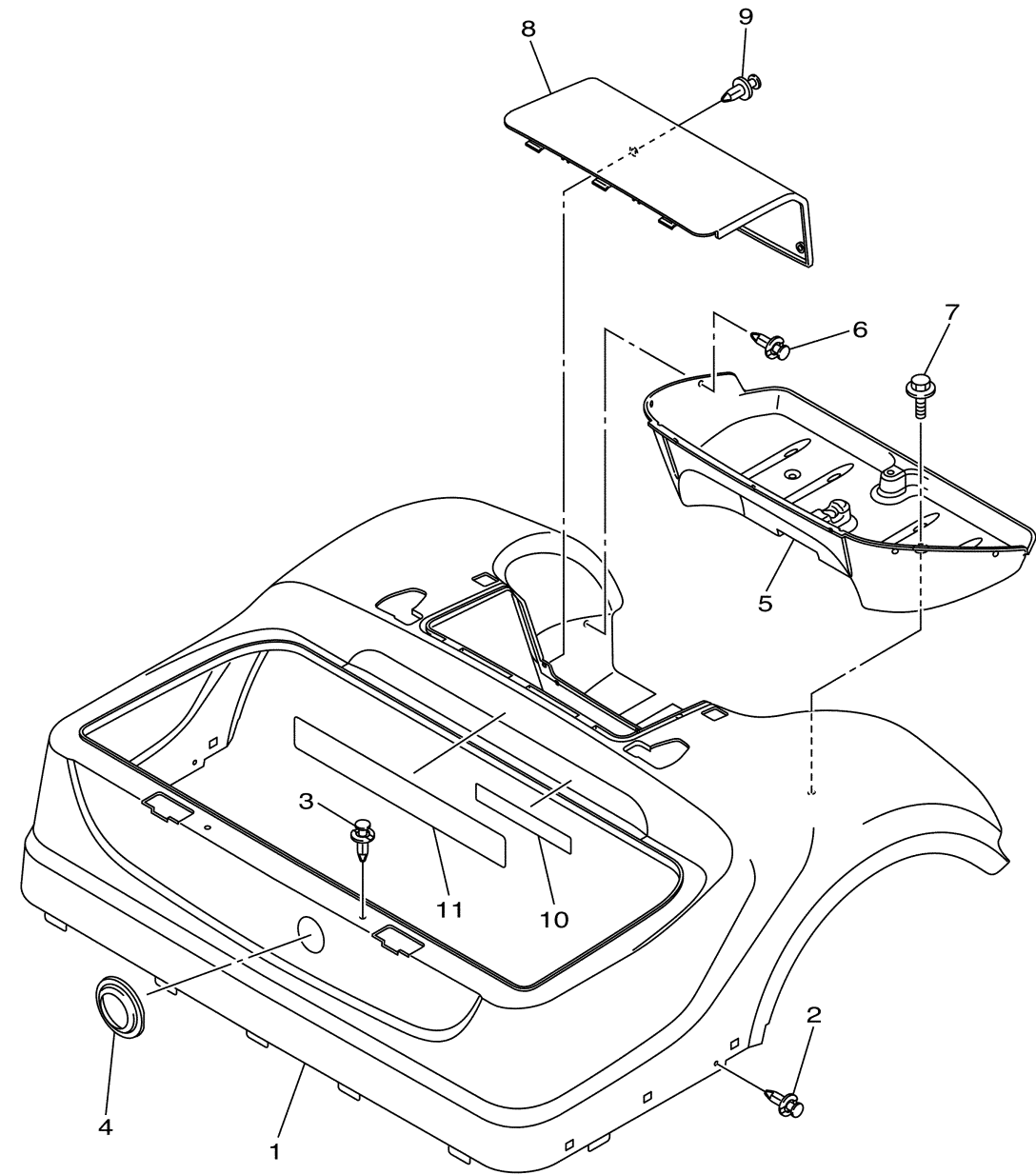
Ref No.	Part Number	Description	Qty	Remarks
1	JW1-K8115-01-00	COWL, FRONT	1	UR FOR WS7
1	JW1-K8115-11-00	COWL, FRONT	1	UR FOR VDGS1
1	JW1-K8115-21-00	COWL, FRONT	1	UR FOR HTR
1	JW1-K8115-31-00	COWL, FRONT	1	UR FOR LNYM8
1	JW1-K8115-51-00	COWL, FRONT	1	UR FOR BMG
1	JW1-K8115-80-00	COWL, FRONT	1	UR FOR DPBST
1	JW1-K8115-90-00	COWL, FRONT	1	UR FOR LNMP
2	90267-63047-00	RIVET, BLIND	5	
3	JW1-F3396-01-00	SCREW, SPECIAL	2	
4	90105-06870-00	BOLT, FLANGE	1	
5	JW1-F4161-10-00	EMBLEM 1	1	
6	90183-06071-00	NUT, SPRING	2	
7	JW2-K8114-01-00	PANEL, FRONT	1	
8	90111-05805-00	BOLT,HEX. SOCKET BUTTON	4	
9	90183-05008-00	NUT, SPRING	4	
10	90269-07001-00	RIVET	5	
11	JW2-K7768-00-00	LABEL, WARNING (E)	1	
12	JW8-K835E-00-00	HOLDER, BEVERAGE	1	
13	90111-05805-00	BOLT,HEX. SOCKET BUTTON	1	
14	90183-05008-00	NUT, SPRING	1	

CONTINUED ON NEXT FRAME >



BODY

Ref No.	Part Number	Description	Qty	Remarks
15	JW1-K8233-11-00	MAT, MAIN FLOOR 3	1	
16	90269-09003-00	RIVET	5	
17	90269-09003-00	RIVET	6	
18	JW1-K8273-00-00	COVER, HOLE	1	
19	JW1-K8245-00-00	SEAL 1	1	
20	90269-06804-00	RIVET	1	
21	JW1-K8261-00-00	PLATE, BODY PROTECT 1	1	
22	90119-06244-00	BOLT, WITH WASHER	6	
23	90173-06010-00	NUT, SQUARE	6	
24	JW1-K8262-00-00	PLATE, BODY PROTECT 2	1	



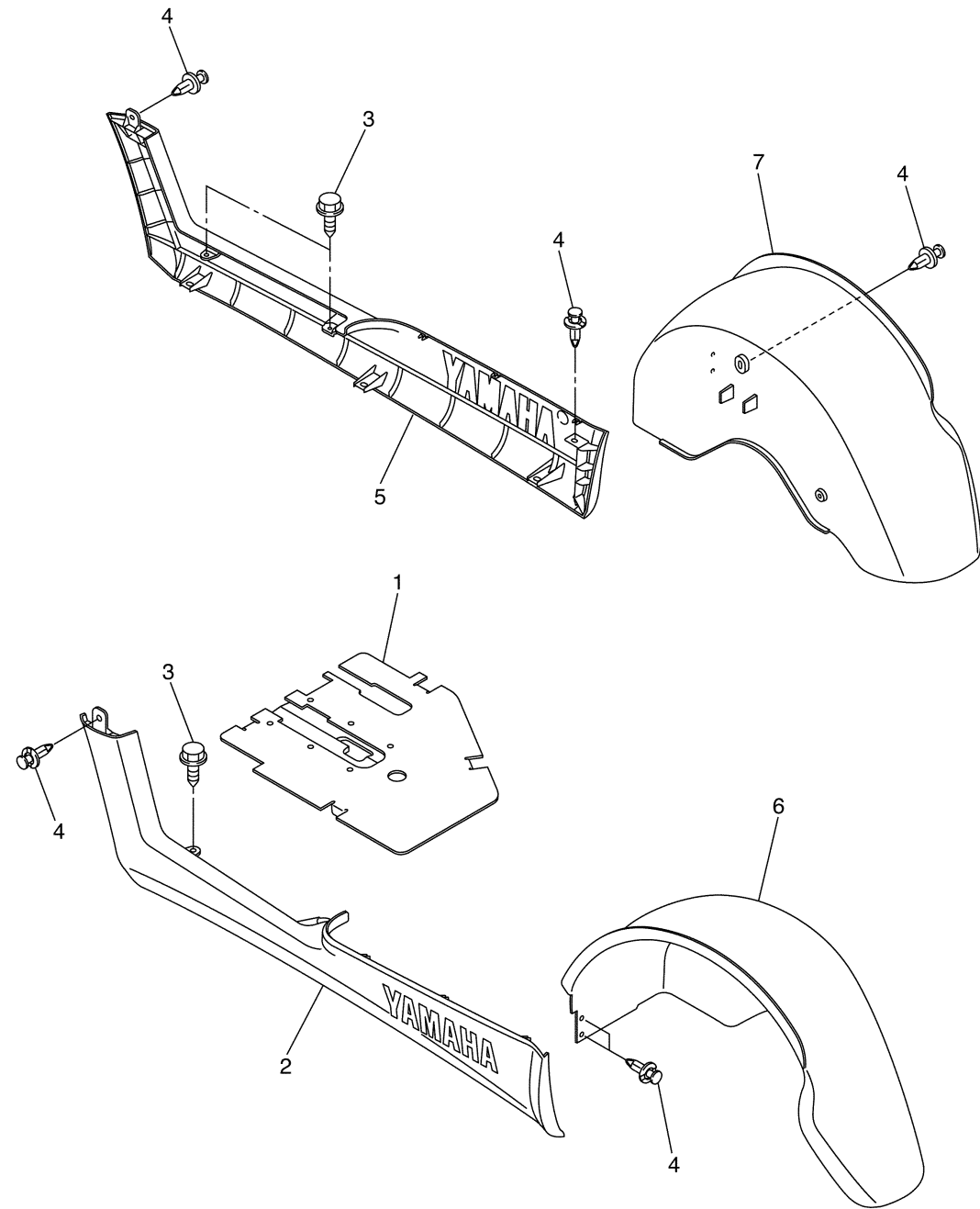
BODY 2

Ref No.	Part Number	Description	Qty	Remarks
1	JW1-K8142-00-00	PANEL, REAR BODY	1	UR FOR WS7
1	JW1-K8142-10-00	PANEL, REAR BODY	1	UR FOR VDGS1
1	JW1-K8142-20-00	PANEL, REAR BODY	1	UR FOR HTR
1	JW1-K8142-30-00	PANEL, REAR BODY	1	UR FOR LNYM8
1	JW1-K8142-50-00	PANEL, REAR BODY	1	UR FOR BMG
1	JW1-K8142-80-00	PANEL, REAR BODY	1	UR FOR DPBST
1	JW1-K8142-90-00	PANEL, REAR BODY	1	UR FOR LNMP
2	90269-06804-00	RIVET	2	
3	90269-08813-00	RIVET	2	
4	JW9-K827A-00-00	GUIDE 1	1	
5	JW1-K8237-10-00	COVER, REAR FLOOR	1	
6	90269-08813-00	RIVET	7	
7	JW1-K6179-01-00	BOLT, SPECIAL 1	2	
8	JW1-K8151-00-00	PANEL, INSPECTION LID 1	1	
9	90269-08813-00	RIVET	2	
10	JW9-K8298-10-00	PLATE, CAUTION 2	1	
11	JW9-K8297-00-00	PLATE, CAUTION 1	1	



JW93110-L100

BODY FITTING

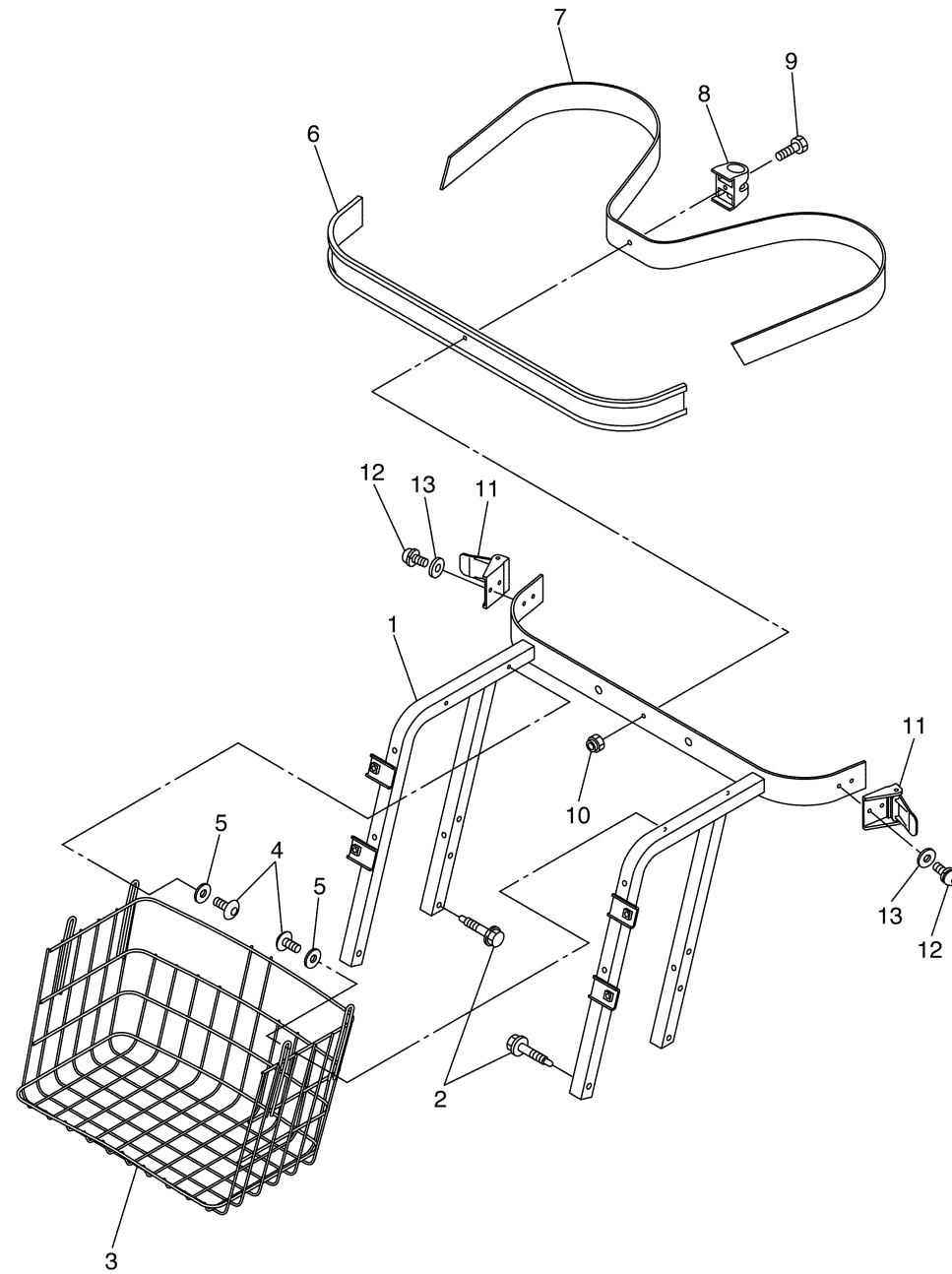


Ref No.	Part Number	Description	Qty	Remarks
1	JW1-K8270-00-00	LID ASSY	1	
2	JW1-K818A-00-00	PROTECTOR, SIDE PLATE	1	
3	JW1-F3396-01-00	SCREW, SPECIAL	4	
4	90269-06804-00	RIVET	12	
5	JW1-K818B-00-00	PROTECTOR, SIDE PLATE 2	1	
6	JW1-K8191-00-00	PANEL, REAR FENDER 1	1	
7	JW1-K8192-00-00	PANEL, REAR FENDER 2	1	



JW11100-E260

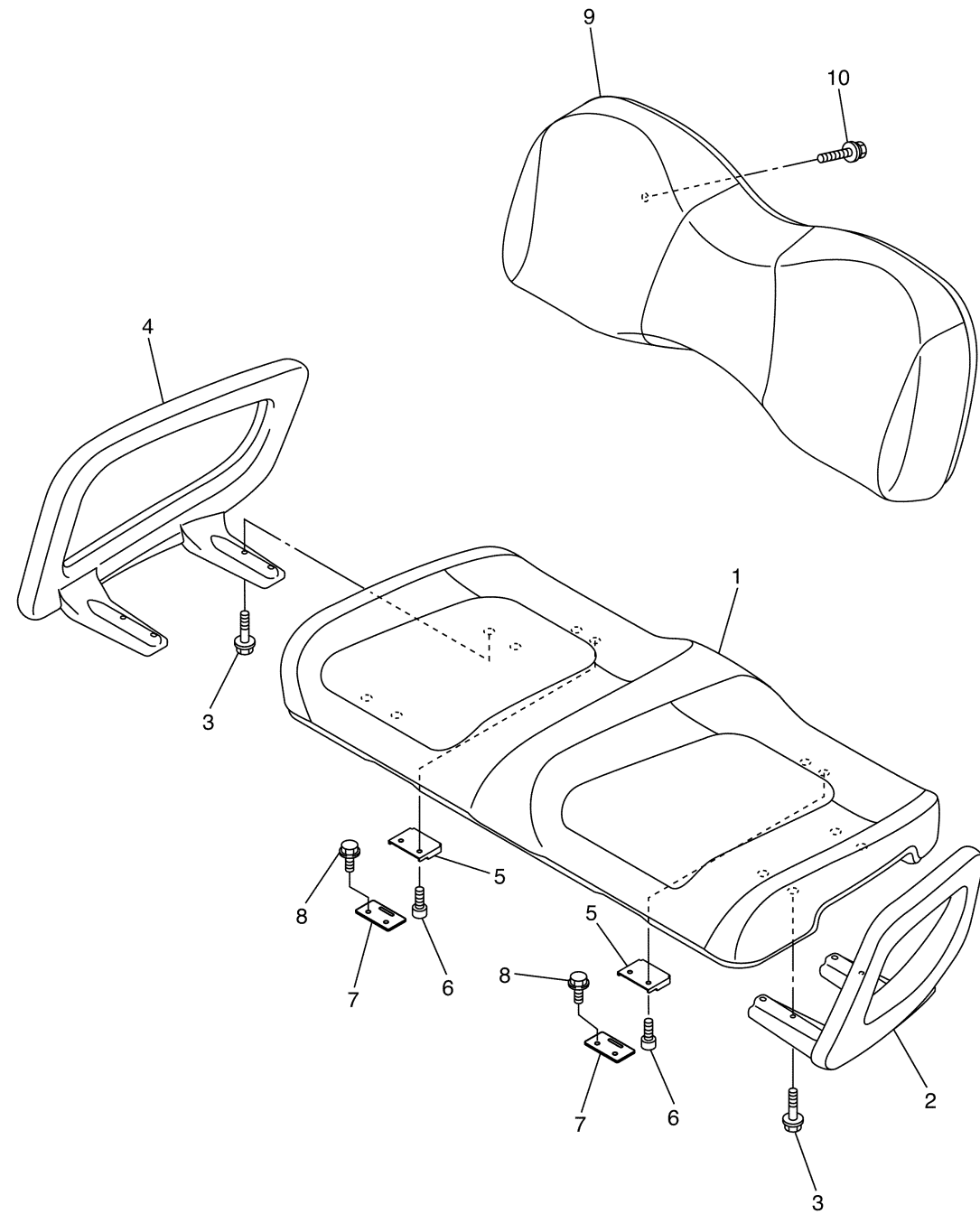
CARRIER



Ref No.	Part Number	Description	Qty	Remarks
1	JW1-K8423-10-00	SUPPORT, SEAT BACK	1	
2	90109-08002-00	BOLT	4	
3	JW1-K8340-00-00	LUGGAGE RACK ASSY., REAR	1	
4	90110-06102-00	BOLT, HEXAGON SOCKET HEAD	4	
5	90201-068G7-00	WASHER, PLATE	4	
6	JF2-K8356-00-00	PAD, BAG SUPPORT	1	
7	JN6-K8355-20-00	BAND	1	
8	JW1-K834G-00-00	HOLDER, RAKE SAND	1	
9	9708R-06020-00	BOLT	1	
10	90185-06836-00	NUT, SELF-LOCKING	1	
11	JN6-K8380-00-00	LOCK ASSY	2	
12	90159-06845-00	SCREW, WITH WASHER	4	
13	9299R-06200-00	WASHER	4	



JW11100-E270



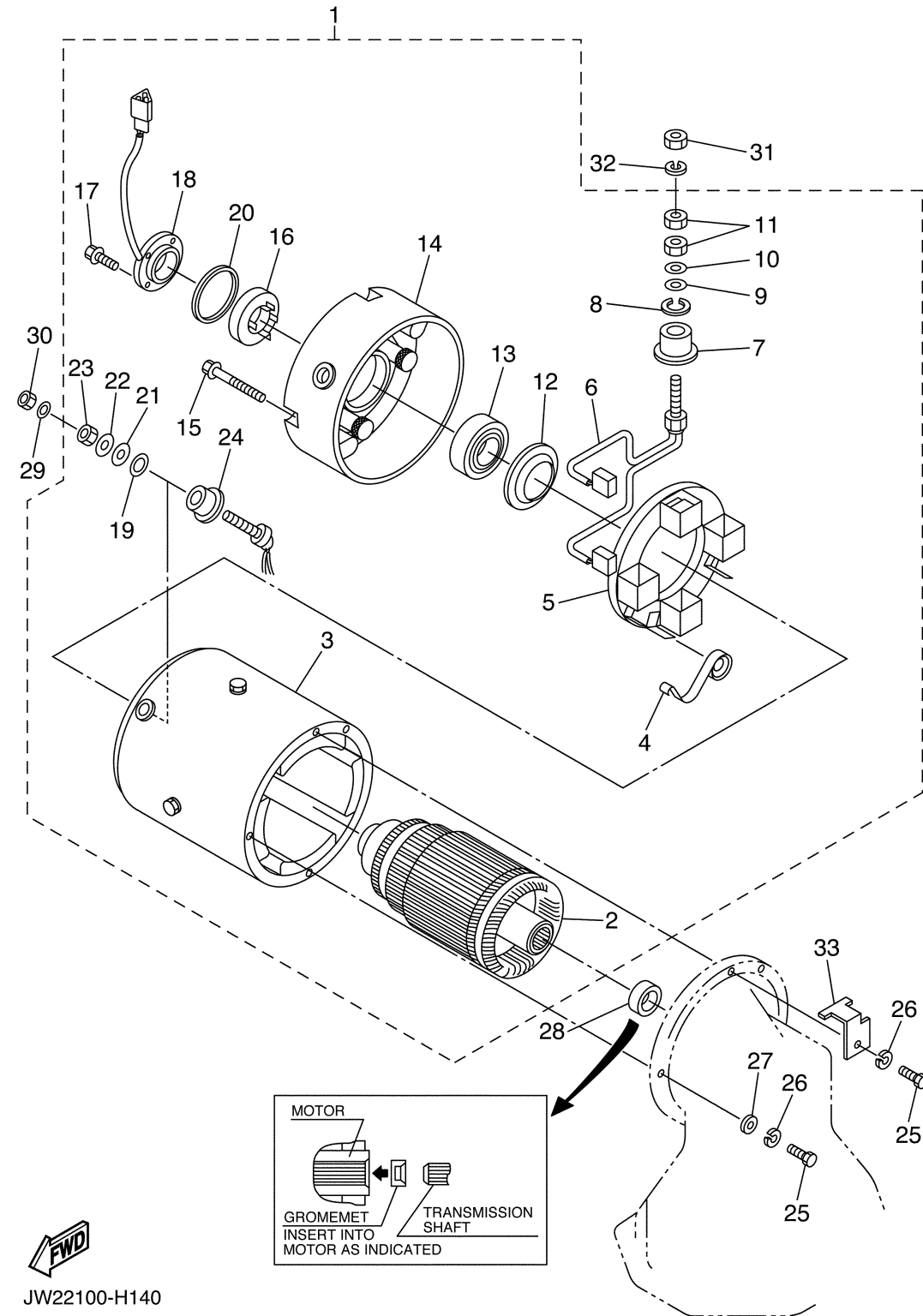
SEAT

Ref No.	Part Number	Description	Qty	Remarks
1	JW1-K8401-10-00	SEAT SUB-ASSY,CUSHION	1	
2	JW1-K8361-00-00	ARM REST 1	1	
3	90105-06042-00	BOLT, FLANGE	8	
4	JW1-K8362-00-00	ARM REST 2	1	
5	JW1-K8426-00-00	HINGE, SEAT 1	2	
6	90110-06125-00	BOLT, HEXAGON SOCKET HEAD	4	
7	JW1-K8427-00-00	HINGE, SEAT 2	2	
8	90163-06802-00	SCREW, TAPPING	4	
9	JW1-K8402-10-00	SEAT SUB ASSY, BACK	1	
10	90119-06808-00	BOLT, WITH WASHER	4	



JW11100-E280

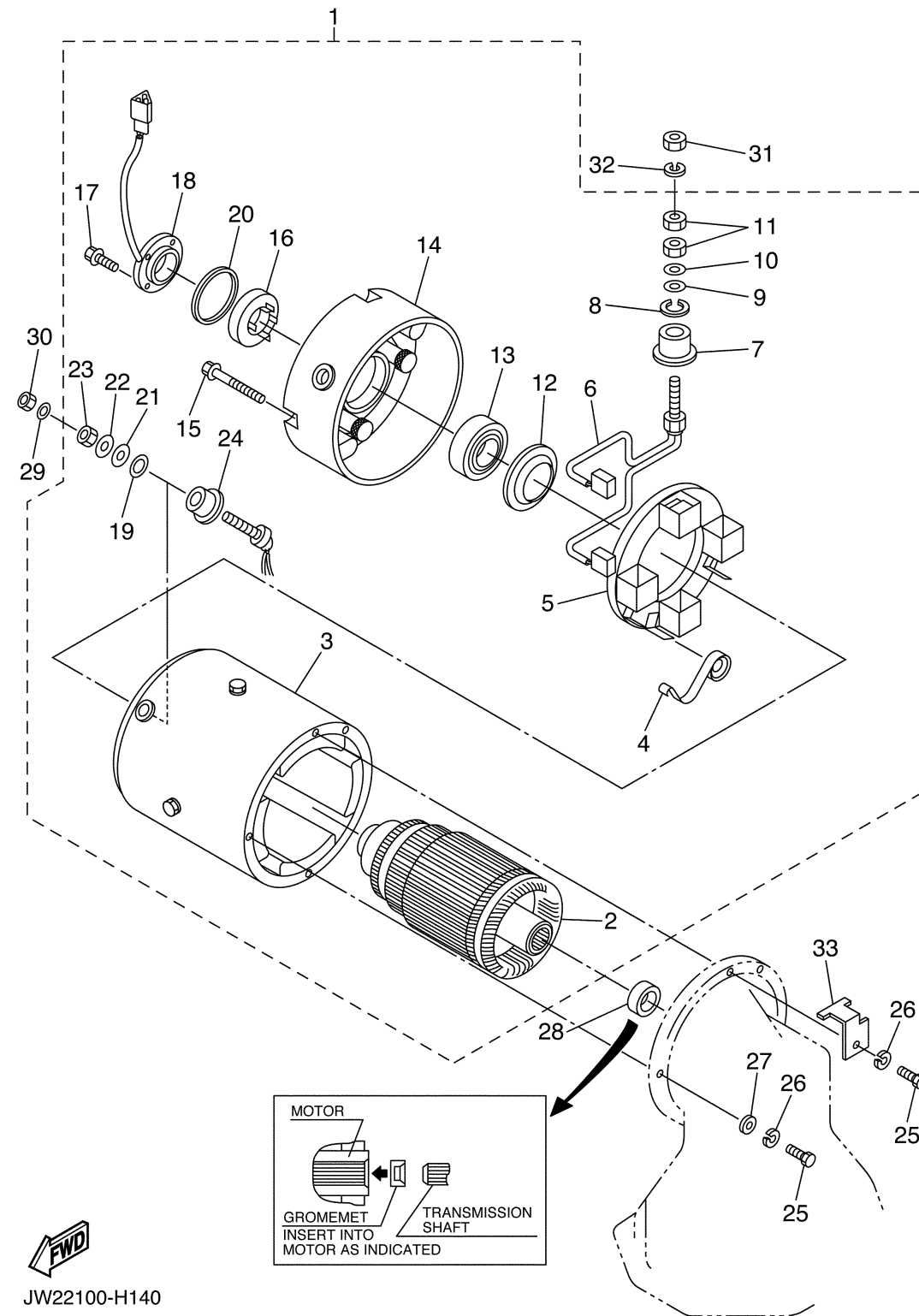
ELECTRIC MOTOR



Ref No.	Part Number	Description	Qty	Remarks
1	JU2-H1890-21-00	MOTOR ASSY	1	
2	JU2-H1850-20-00	. .ARMATURE ASSY	1	
3	JU2-H1160-20-00	. .FIELD COIL ASSY	1	
4	JU2-H1617-20-00	. .SPRING, BRUSH	4	
5	JU2-H1840-20-00	. .BRUSH HOLDER ASSY	1	
6	JU2-H1801-20-00	. .BRUSH SET	2	
7	JU2-H182G-20-00	. .BUSH, TERMINAL	2	
8	JU2-H1843-20-00	. .WASHER 1	2	
9	JU2-H1824-20-00	. .WASHER 2	2	
10	JU2-H181L-20-00	. .WASHER, PLAIN	2	
11	JU2-H182K-20-00	. .NUT	4	
12	JU2-H1856-20-00	. .RETAINER	1	
13	JU2-H185B-20-00	. .BEARING 1	1	
14	JU2-H183J-20-00	. .BRACKET, FRONT	1	
15	JU2-H1828-20-00	. .SCREW 2	4	
16	JU2-H181K-20-00	. .MAGNET	1	
17	JU2-H2113-20-00	. .SCREW	4	
18	JU2-H1670-21-00	. .PICK-UP ASSY	1	
19	JU2-H272L-20-00	. .INSULATOR, 1	2	
20	JU2-H5722-20-00	. .INSULATOR	1	

CONTINUED ON NEXT FRAME >

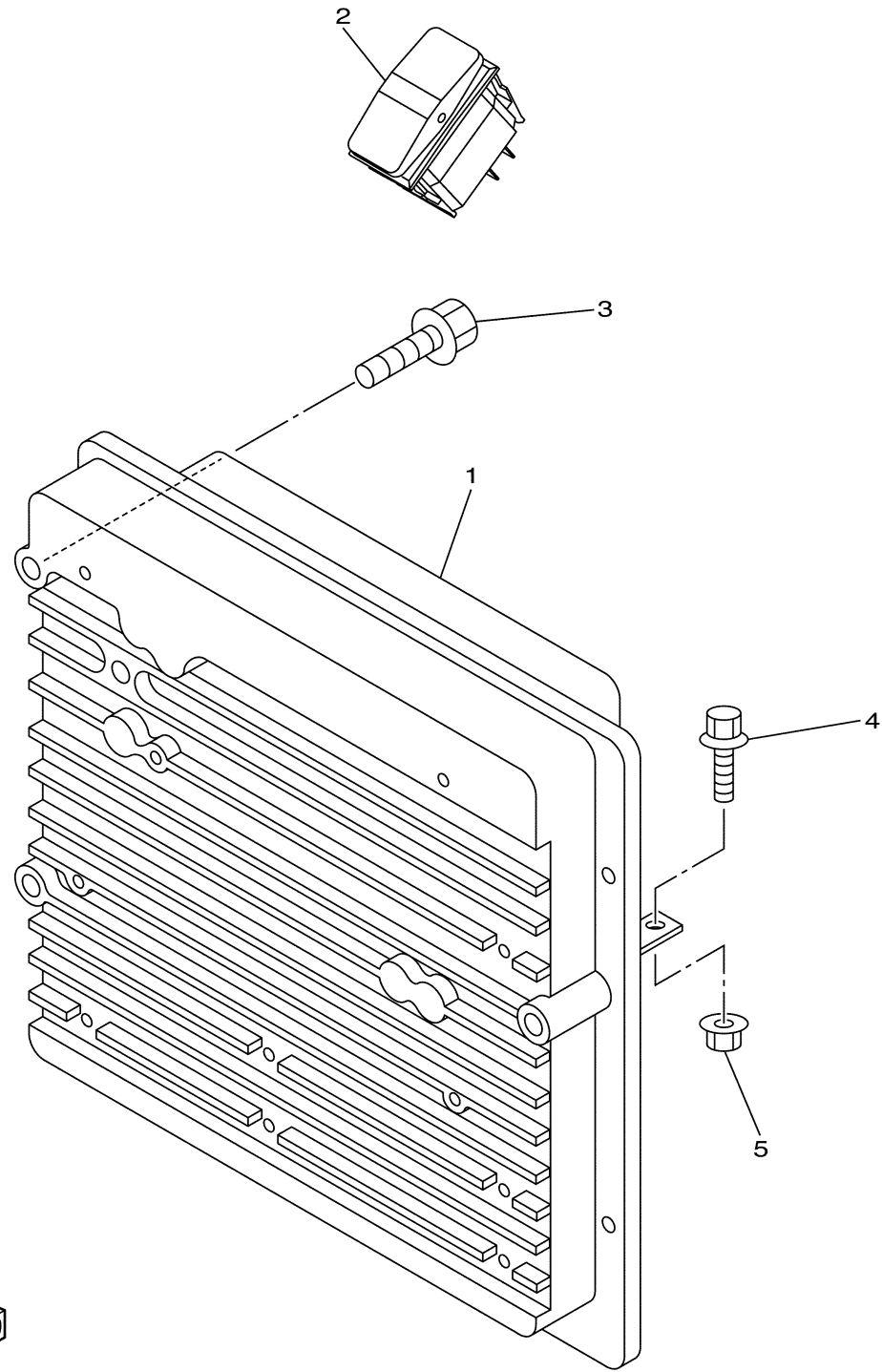
ELECTRIC MOTOR



Ref No.	Part Number	Description	Qty	Remarks
21	JU2-H2517-20-00	. .WASHER, SPECIAL	2	
22	JU2-H332D-20-00	. .WASHER, SPECIAL 2	2	
23	JU2-H191B-20-00	. .NUT	4	
24	JU2-H182H-20-00	. .BUSH, TERMINAL 2	2	
25	90101-069U0-00	BOLT	3	
26	90215-06811-00	WASHER, LOCK	3	
27	90201-068E2-00	WASHER, PLATE	2	
28	JH7-H1829-00-00	GROMMET	1	
29	JU2-H185A-20-00	WASHER, PLATE	2	
30	JU2-H182A-20-00	NUT	2	
31	JU2-H1872-20-00	NUT, SPECIAL	2	
32	JU2-H1835-20-00	WASHER	2	
33	JU2-H218E-01-00	RELIEF, STRAIN 1	1	

JW22100-H140

CONTROLLER 1



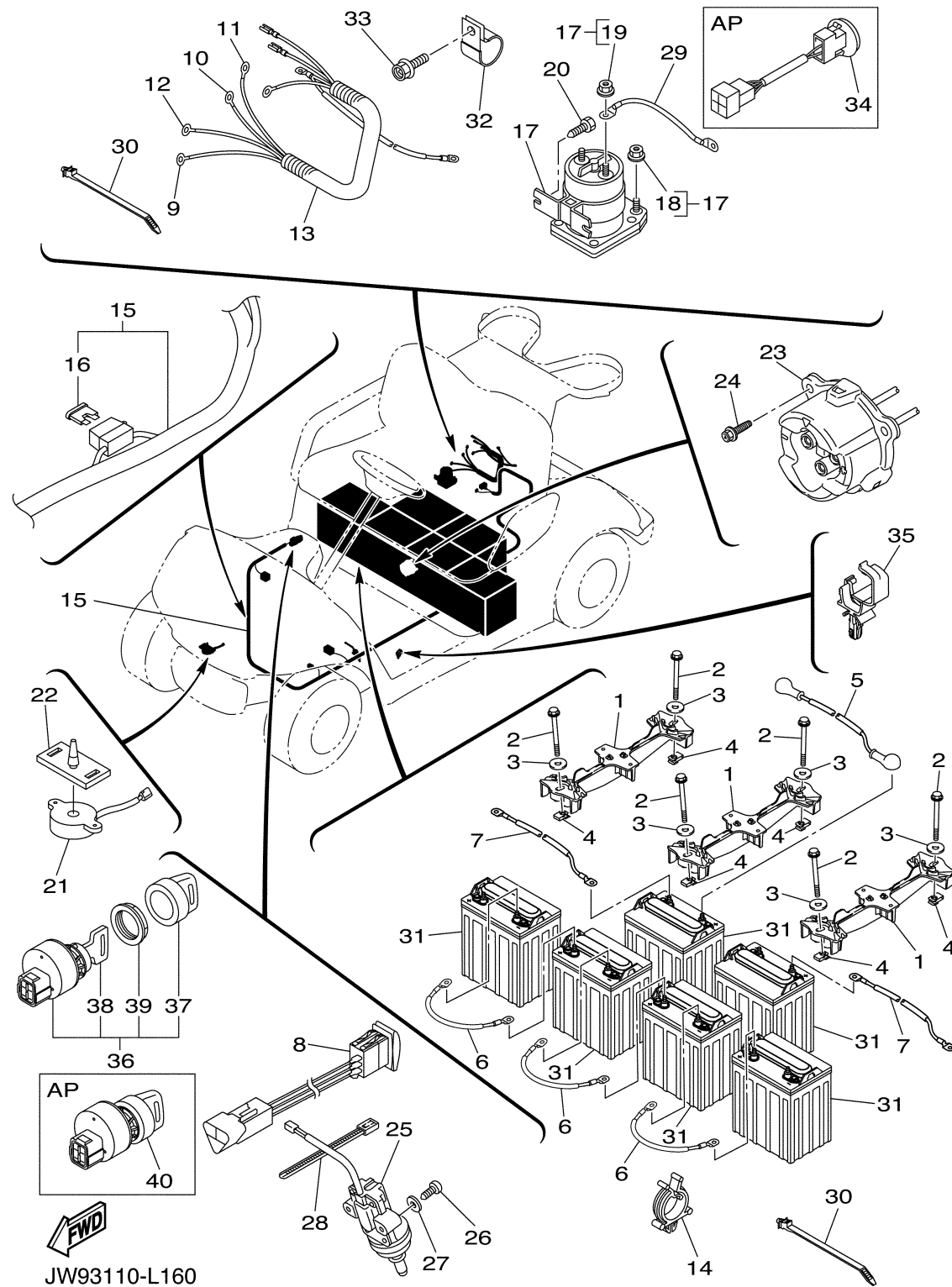
Ref No.	Part Number	Description	Qty	Remarks
1	JW2-H6510-01-00	MOTOR CONTROL UNIT ASSY	1	
2	JW2-H2727-00-00	SWITCH	1	
3	JW9-H1674-00-00	BOLT	3	
4	95822-06016-00	BOLT, FLANGE	3	
5	95602-06200-00	NUT, SELF-LOCKING	3	


JW23110-J150

ELECTRICAL 1

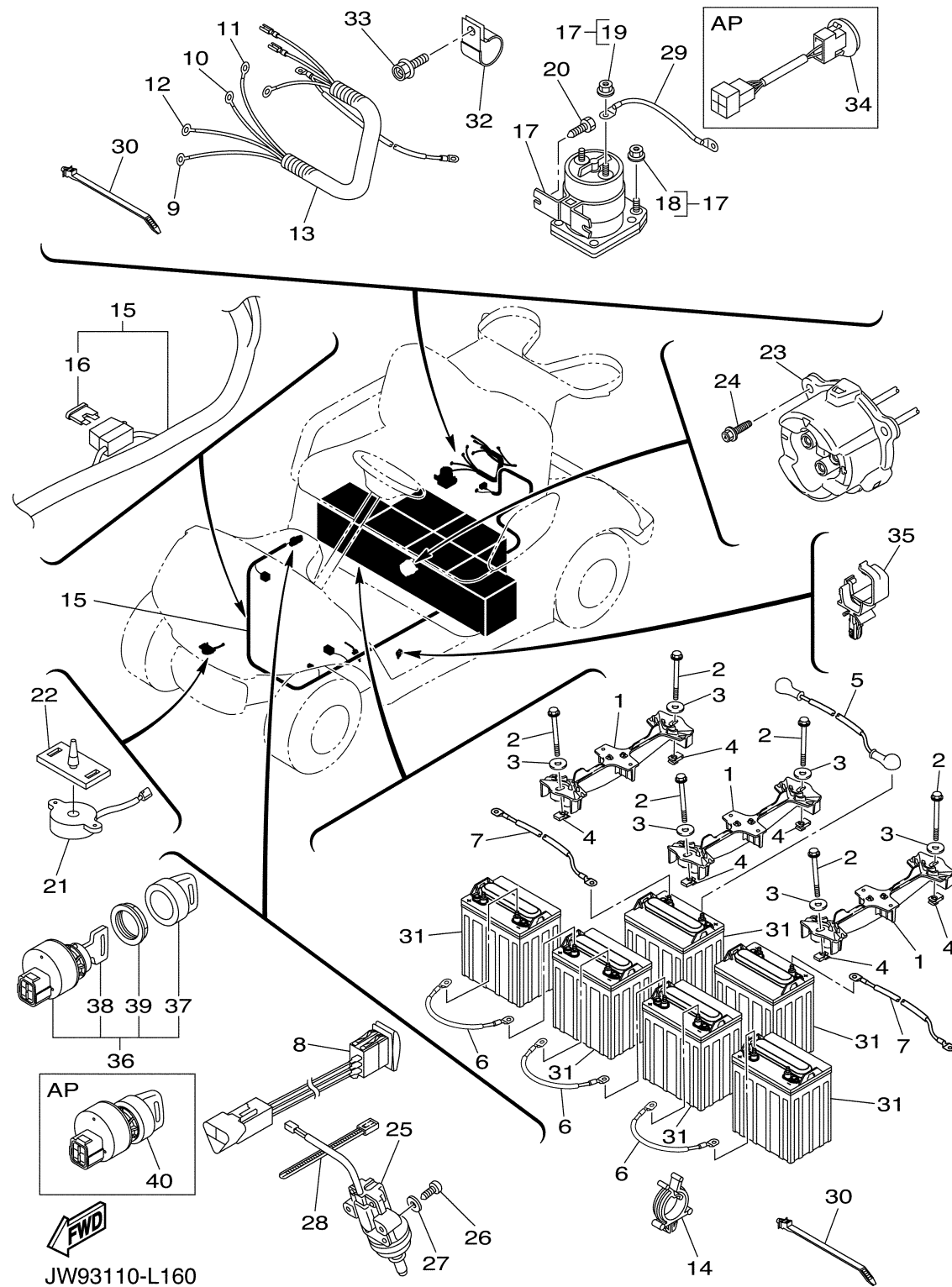
Ref No.	Part Number	Description	Qty	Remarks
1	JW9-H2136-00-00	PLATE, BATTERY FITTING	3	
2	JW9-H1892-00-00	BOLT, SPECIAL	6	
3	90201-08310-00	WASHER, PLATE	6	
4	JW9-K811K-00-00	NUT, TRIM FITTING	6	
5	JW9-H2115-00-00	WIRE, PLUS LEAD	1	
6	JW9-H2127-00-00	WIRE, LEAD 2	3	
7	JW9-H2149-00-00	WIRE, LEAD 3	2	
8	JU2-H2917-00-00	SWITCH	1	
9	JU2-H2521-20-00	WIRE, LEAD	1	(F1)
10	JU2-H2531-20-00	WIRE, LEAD	1	(F2)
11	JU2-H6171-20-00	WIRE, LEAD 1	1	(A1)
12	JW9-H6172-00-00	WIRE, LEAD 2	1	(A2)
13	JU2-H7196-20-00	TUBE 1	1	
14	90464-25826-00	CLAMP	2	
15	JW9-H2590-20-00	WIRE HARNESS ASSY	1	
16	JR1-H2151-00-00	..FUSE (3A)	1	
17	JU6-H1950-00-00	RELAY ASSY	1	
18	90179-08887-00	..NUT	2	
19	90179-05886-00	..NUT	2	
20	90105-06831-00	BOLT, FLANGE	2	

CONTINUED ON NEXT FRAME >



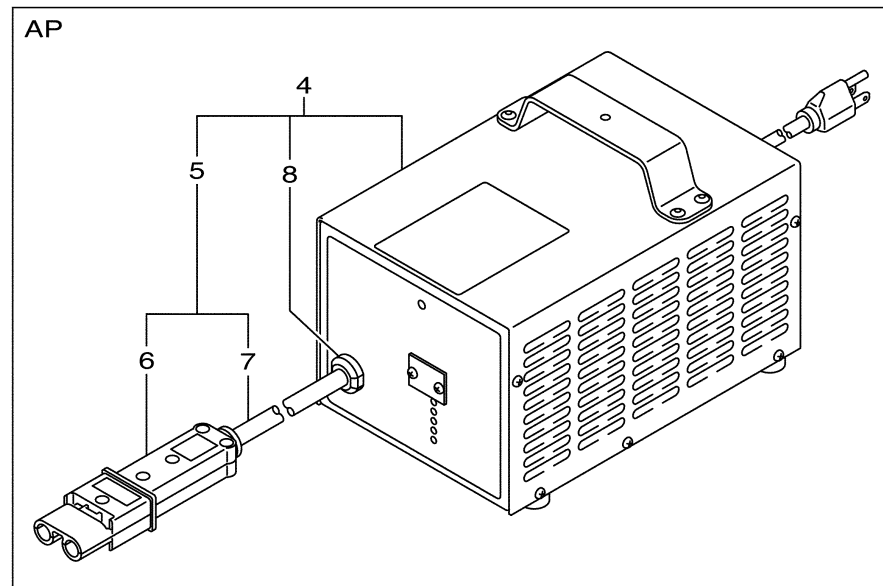
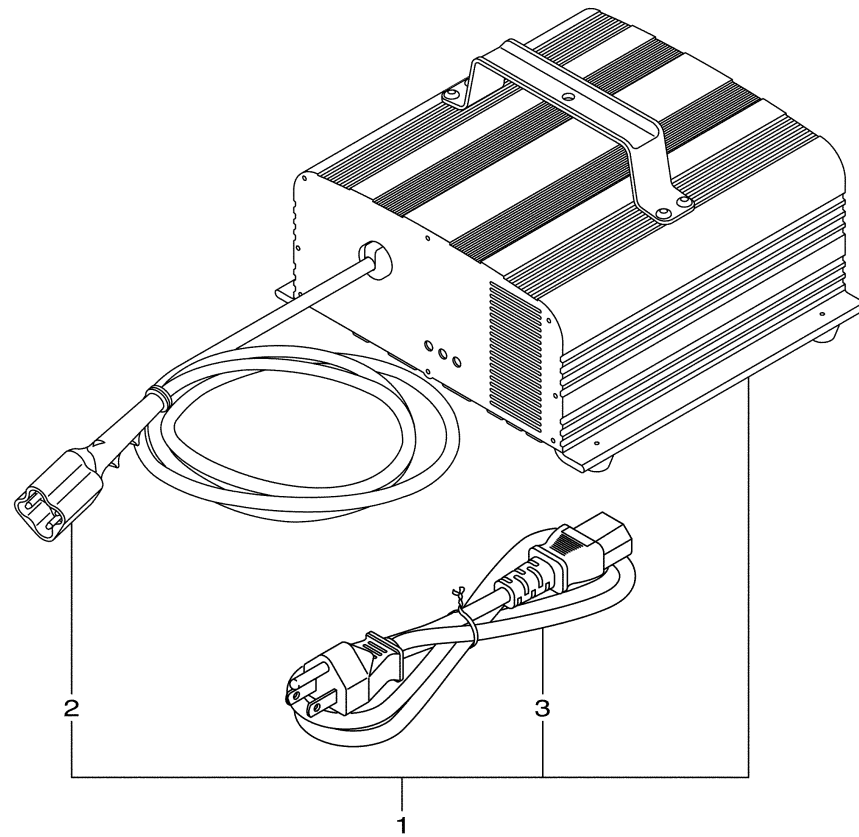
ELECTRICAL 1

Ref No.	Part Number	Description	Qty	Remarks
21	JR1-H3383-02-00	BUZZER	1	
22	JN6-H3386-01-00	STAY, BUZZER	1	
23	JW9-H6181-00-00	RECEPTACLE	1	
24	JW1-F3394-00-00	BOLT, SPECIAL	3	
25	JF7-82817-22-00	SWITCH	1	
26	98502-05025-00	SCREW, PAN HEAD	2	
27	92902-05600-00	WASHER, PLATE	2	
28	90464-40825-00	CLAMP	3	
29	JW2-H6527-00-00	WIRE 7	1	
30	90464-20005-00	CLAMP	9	
32	90461-14108-00	CLAMP	1	
33	90105-08867-00	BOLT, FLANGE	1	
34	JU2-HA2F0-00-00	TRANSMITTER UNIT	1	AP
35	90464-20237-00	CLAMP	3	
36	JW1-H2510-00-00	MAIN SWITCH ASSY	1	STD
37	5UG-H2579-00-00	..CAP, KEY	1	
38	JU2-H2511-00-00	..KEY, MAIN SWITCH	2	
39	JU6-H2569-00-00	..NUT, MAIN SWITCH	1	
40	JU2-H2510-20-00	MAIN SWITCH ASSY	1	AP RANOMEKEY



BATTERY CHARGER

Ref No.	Part Number	Description	Qty	Remarks
1	JW9-82107-00-00	CHARGER, BATTERY	1	
2	JW9-82174-00-00	..DC CORD ASSY	1	
3	JW9-81962-00-00	..AC CORD COMP.	1	
4	JW9-H2107-10-00	CHARGER, BATTERY:120V/60HZ,48V	1	AP
5	JW9-H4312-10-00	..CORD ASSY	1	AP
6	JW9-H235A-10-00	...CASE 1	1	AP
7	JW9-H253L-10-00	...CORD COMP.	1	AP
8	JW9-H218F-10-00	..RELIEF, STRAIN 2	1	AP

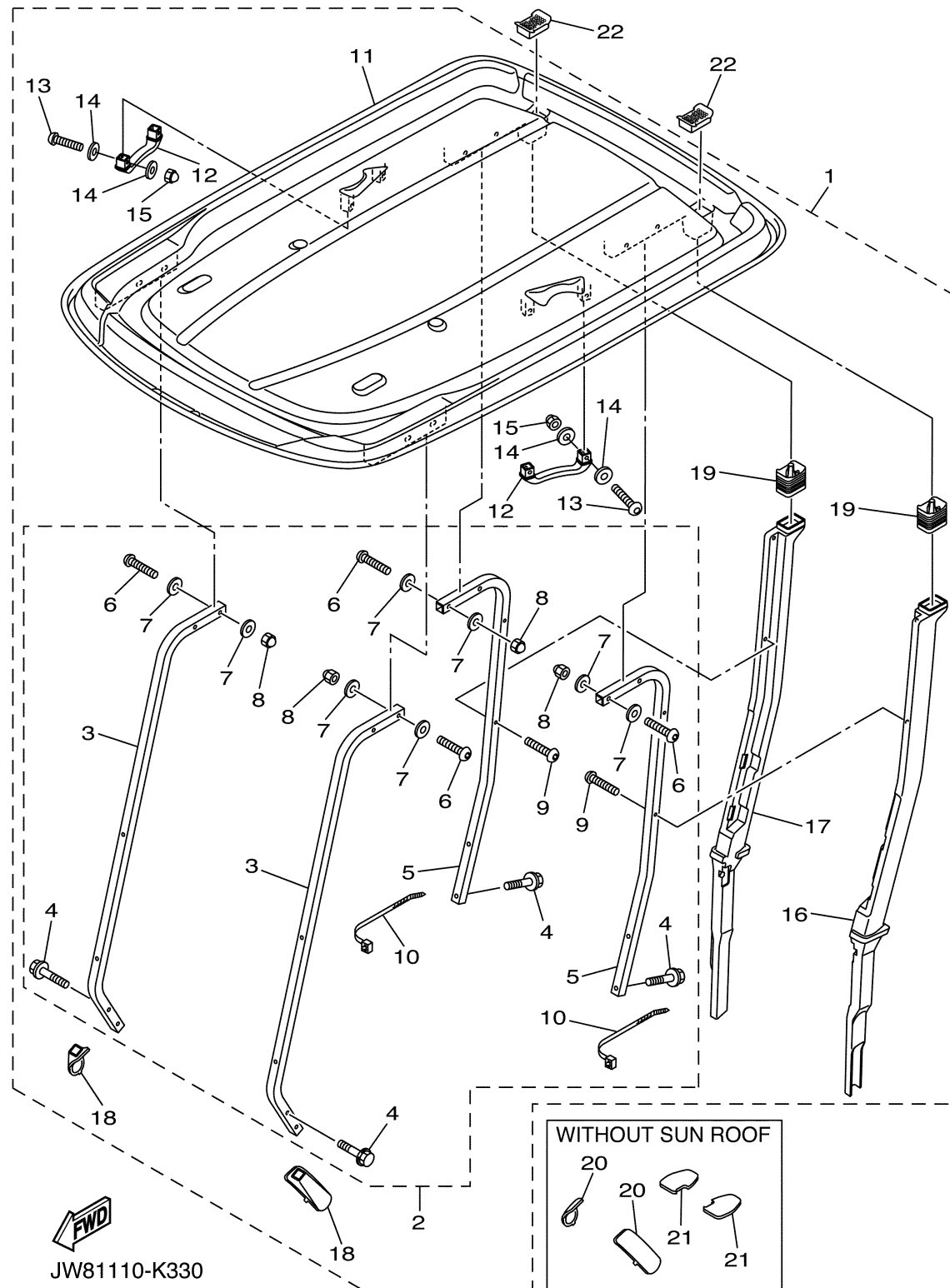


JW94110-M170

ALTERNATE FOR SUN ROOF

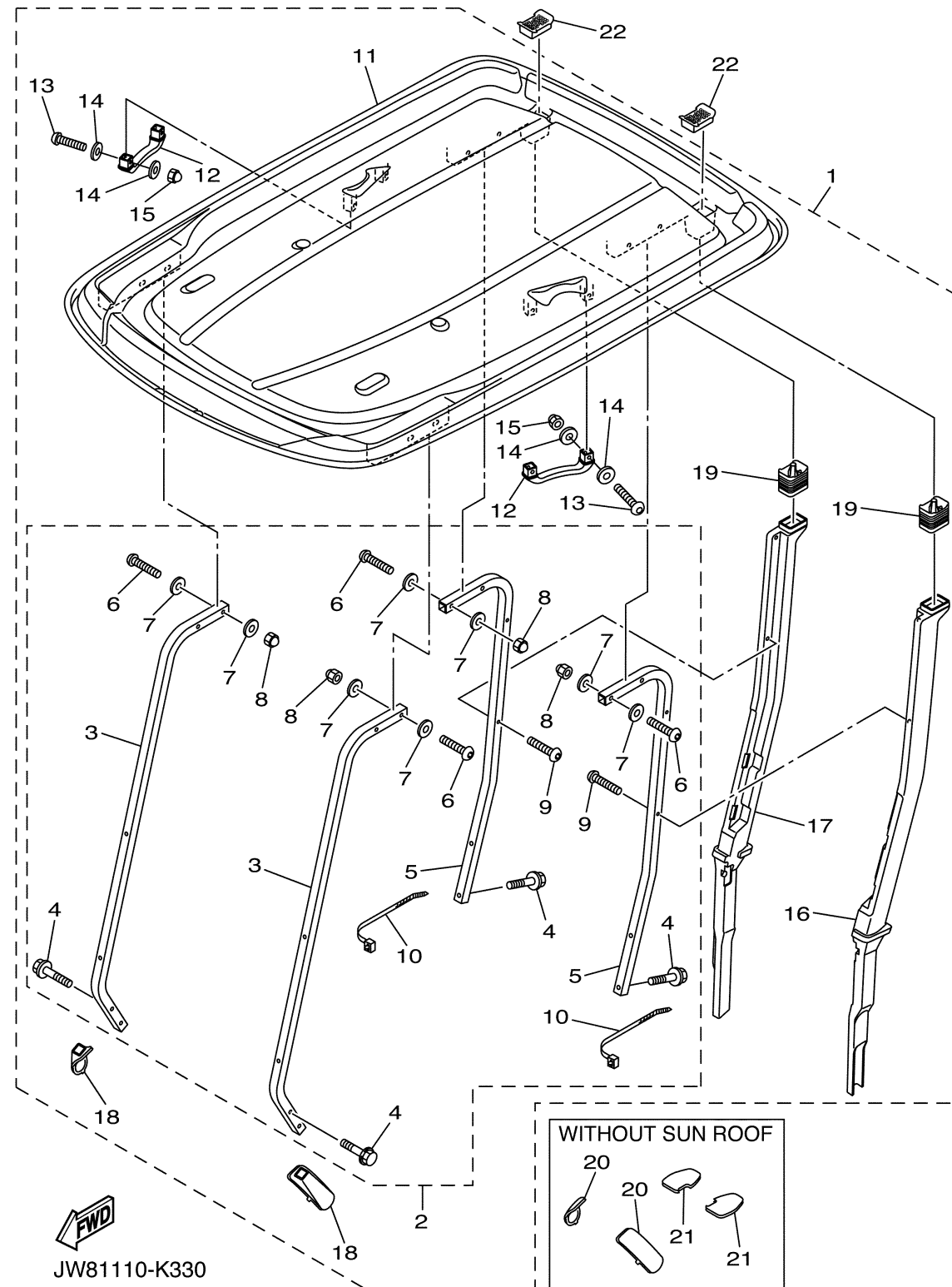
Ref No.	Part Number	Description	Qty	Remarks
1	JW1-K84A0-01-00	SUN TOP KIT	1	AP
2	JW1-K84A2-01-00	..HARDWARE KIT, SUN TOP	1	
3	JW1-K8312-00-00	...SUPPORT, SUN ROOF 1	2	
4	JW1-K8388-00-00	...BOLT, ROOF 1	8	
5	JW1-K8313-01-00	...SUPPORT, SUN ROOF 2	2	
6	JU0-K8388-00-00	...BOLT, ROOF 1	8	
7	JW1-F1549-01-00	...WASHER, FENDER MOLD	16	
8	JU0-K8398-00-00	...NUT, ROOF 1	8	
9	JW1-K7387-00-00	...SCREW	4	
10	90464-76800-00	...CLAMP	2	
11	JW1-K8314-10-00	..COVER, SUN ROOF	1	
12	JW1-K8214-00-00	..GRIP, HAND	2	
13	JU0-K8388-00-00	..BOLT, ROOF 1	4	
14	JW1-F1549-01-00	..WASHER, FENDER MOLD	8	
15	JU0-K8398-00-00	..NUT, ROOF 1	4	
16	JW1-F413G-00-00	..TUBE, DRAIN	1	
17	JW1-F413J-00-00	..TUBE, DRAIN 2	1	
18	JW1-K832F-10-00	..GROMMET, ROOF SUPPORT 1	2	
19	JW1-F414G-10-00	..SEAL	2	
20	JW1-K832H-00-00	GROMMET, ROOF SUPPORT 3	2	AP

CONTINUED ON NEXT FRAME >



ALTERNATE FOR SUN ROOF

Ref No.	Part Number	Description	Qty	Remarks
21	JW1-K833H-00-00	GROMMET, ROOF SUPPORT 4	2	AP
22	JW1-K8482-00-00	CAP, END	2	AP



2013 DRIVE YDREX3 (JW94)

STARTING SERIAL NO. (DRIVE YDREX3): JW9-300101 and following

MODELS IN THIS CATALOG

Ref No.	Part Number	Description	Qty	Remarks
---------	-------------	-------------	-----	---------

ALL THESE MODELS USE THIS SAME PARTS CATALOG.
BE SURE TO ORDER ONLY THOSE PARTS APPLICABLE
TO THE DESIRED MODEL.